

# MITSUBISHI

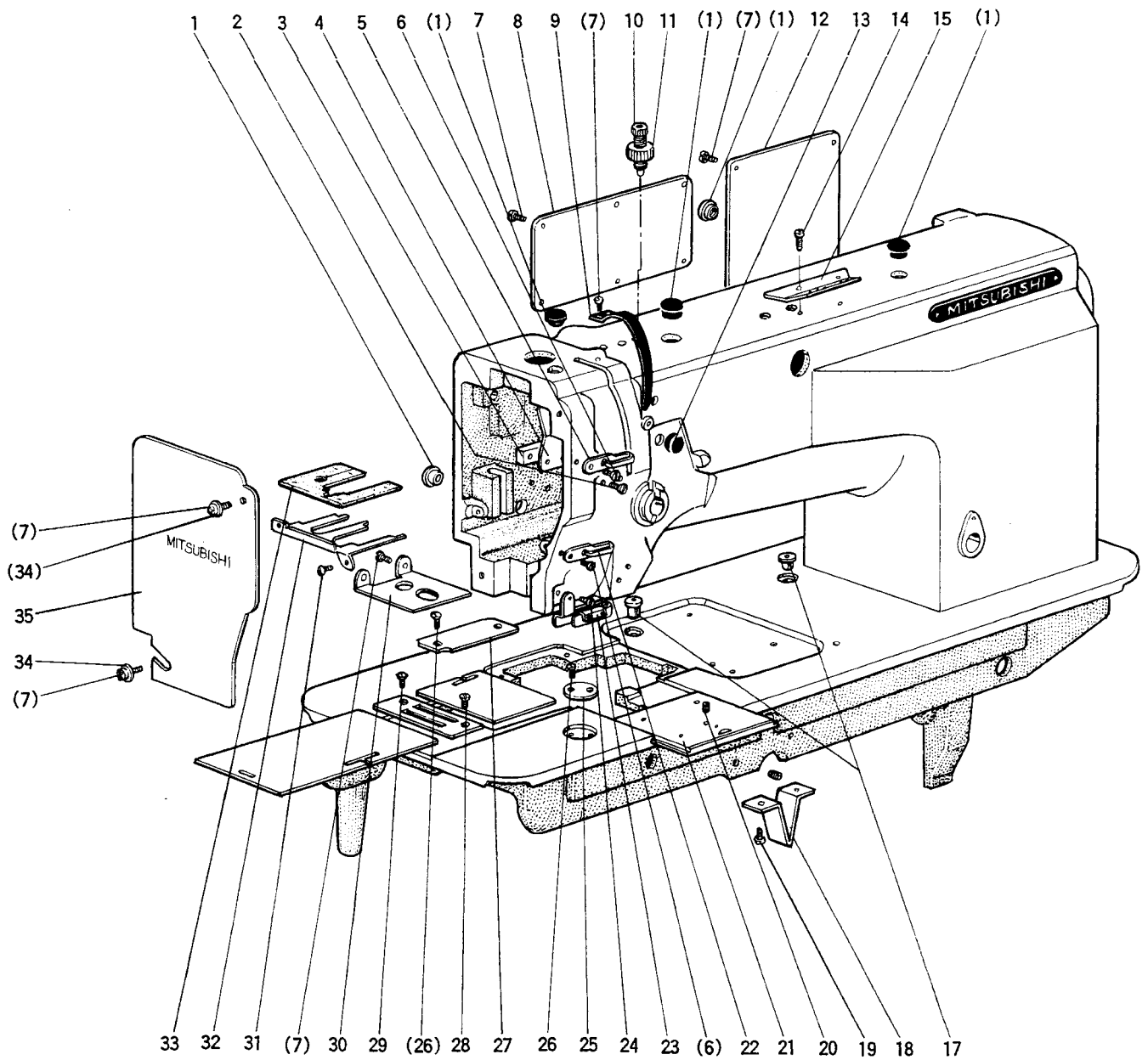
## 三菱工業用ミシン部品カタログ

## Industrial Sewing Machine Parts Catalog

Model      LT2-2220-L0B  
 LT2-2220-M0B  
 LT2-2220-B0B  
 LT2-2230-L1T  
 LT2-2230-M1TW  
 LT2-2230-B1T

| 目次                    | INDEX   | Page |
|-----------------------|---|------|
| ① 本 体 部 分             | Body & it's accessories .....                                 | 2    |
| ② 上糸調節器部分(国内用)(I)     | Thread tension regulator mechanism (Domestic only) (I) .....  | 4    |
| ③ 上糸調節器部分(輸出用)(II)    | Thread tension regulator mechanism (Export only) (II) .....   | 6    |
| ④ 上軸・押え・ひざ上げ機構        | Upper shaft & presser foot mechanism .....                    | 8    |
| ⑤ 天秤・針棒揺動機構           | Thread take-up lever & needle bar rock motion mechanism ..... | 10   |
| ⑥ 縫目加減機構              | Stitch regulator mechanism .....                              | 12   |
| ⑦ 下軸・送り機構             | Lower shaft & feed rock shaft mechanism .....                 | 14   |
| ⑧ カマ台機構               | Hook saddle mechanism .....                                   | 16   |
| ⑨ 糸切り機構(I)            | Knife mechanism (I) .....                                     | 18   |
| ⑩ 糸切り機構(II)           | Knife mechanism (II) .....                                    | 20   |
| ⑪ タッチバックおよび検出器機構      | Touch back, compensation stitching & detector mechanism ..... | 22   |
| ⑫ ワイパー機構              | Wiper mechanism .....   | 24   |
| ⑬ 給油機構                | Oil lubrication mechanism .....                               | 26   |
| ⑭ 付 属 品               | Accessories .....   | 26   |
| ⑮ ゲージ部品表(I) LT2-2220  | Gauge parts list (I) .....                                    | 30   |
| ⑯ ゲージ部品表(II) LT2-2230 | Gauge parts list (II) .....                                   | 32   |

① 本体部分  
 BODY AND IT'S ACCESSORIES



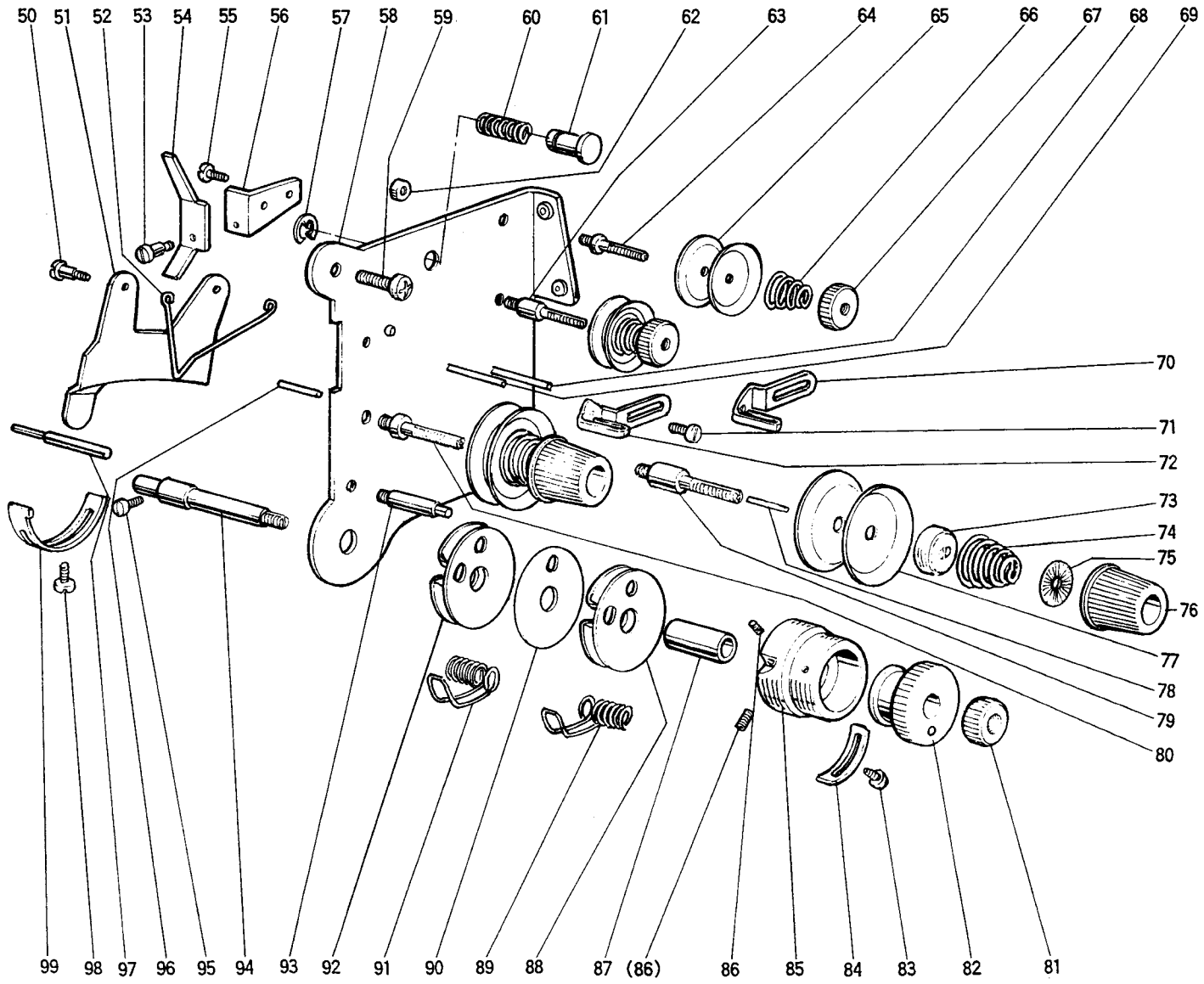
# ① 本体部分 BODY AND IT'S ACCESSORIES

| Fig. No. | 部品コード<br>Part No. | 部 品 名       | Description        | 使用個数<br>Amt. Req.            |     |     |          |      |     |    |
|----------|-------------------|-------------|--------------------|------------------------------|-----|-----|----------|------|-----|----|
|          |                   |             |                    | LT2-2220                     |     |     | LT2-2230 |      |     |    |
|          |                   |             |                    | LOB                          | MOB | BOB | LT       | MITW | BIT |    |
| 1        | M9 1304 080       | ゴム セン       | φ13.....           | Rubber plug φ13.....         | 5   | 5   | 5        | 5    | 5   | 5  |
| 2        | M9 1201 011       | 丸 皿 ネ       | 3/16(28)×11.....   | Screw 3/16(28)×11.....       | 2   | 2   | 2        | 2    | 2   | 2  |
| 3        | MN 10A0 476       | 油 皿         | .....              | Spacer.....                  | 1   | 1   | 1        | 1    | 1   | 1  |
| 4        | MN 10A0 131       | 受 案         | .....              | Oil guard plate.....         | 1   | 1   | 1        | 1    | 1   | 1  |
| 5        | MN 70A0 181       | 糸 案         | .....              | Thread guide.....            | 1   | 1   | 1        | 1    | 1   | 1  |
| 6        | M9 0904 011       | 丸 皿 ネ       | 9/64(40)×6.5.....  | Screw 9/64(40)×6.5.....      | 2   | 2   | 2        | 2    | 2   | 2  |
| 7        | M9 1106 004       | 横 ラ マ イ     | 11/64(40)×8.....   | Screw 11/64(40)×8.....       | 15  | 15  | 15       | 11   | 11  | 11 |
| 8        | MN 70A0 880       | 蓋           | .....              | Side cover.....              | 1   | 1   | 1        | 1    | 1   | 1  |
| 9        | MN 70A0 584       | 天 ビ ン カ バ   | .....              | Thread take-up cover.....    | 1   | 1   | 1        | 1    | 1   | 1  |
| 10       | M9 7002 035       | ツ マ ミ ネ     | M10×39.....        | Thumb screw M10×39.....      | 1   | 1   | 1        | 1    | 1   | 1  |
| 11       | M9 2512 045       | ト ク シ ュ ナ ッ | M10.....           | Special nut M10.....         | 1   | 1   | 1        | 1    | 1   | 1  |
| 12       | MN 70A0 237       | 裏 蓋         | .....              | Rear cover.....              | 1   | 1   | 1        | 1    | 1   | 1  |
| 13       | M9 1305 080       | ゴ ム セ ン     | φ13.....           | Rubber plug φ13.....         | 1   | 1   | 1        | 1    | 1   | 1  |
| 14       | M9 1116 002       | 平 ネ         | 11/64(40)×8.....   | Screw 11/64(40)×8.....       | 2   | 2   | 2        | 2    | 2   | 2  |
| 15       | MN 40A0 180       | 糸 案         | .....              | Thread guide.....            | 1   | 1   | 1        | 1    | 1   | 1  |
| 17       | MN 10A4 742       | 蓋           | (オイルカップ).....      | Cap.....                     | 2   | 2   | 2        | 2    | 2   | 2  |
| 18       | MN 50A0 426       | 支           | .....              | Supportor.....               | 1   | 1   | 1        | 1    | 1   | 1  |
| 19       | M9 1601 003       | 丸 平 ネ       | 1/4(24)×9.....     | Screw 1/4(24)×9.....         | 2   | 2   | 2        | 2    | 2   | 2  |
| 20       | M9 1301 001       | 止 メ ネ       | 13/64(32)×4.8..... | Screw 13/64(32)×4.8.....     | 1   | 1   | 1        | 1    | 1   | 1  |
| 21       | MN 70A0 472       | ス ベ リ 板     | (組).....           | Slide plate (complete).....  | 1   | 1   | 1        | 1    | 1   | 1  |
| 22       | MN 70A1 181       | 糸 案         | .....              | Thread guide.....            | 1   | 1   | 1        | 1    | 1   | 1  |
| 23       | MN 70E0 181       | 糸 案         | (組).....           | Thread guide (complete)..... | 1   | 1   | 1        | 1    | 1   | 1  |
| 24       | M9 0920 002       | 平           | 9/64(40)×6.5.....  | Screw 9/64(40)×6.5.....      | 1   | 1   | 1        | 1    | 1   | 1  |
| 25       | MN 50A5 742       | 蓋           | .....              | Cover.....                   |     |     |          | 1    | 1   | 1  |
| 26       | M9 0916 011       | 皿           | 9/64(40)×6.....    | Screw 9/64(40)×6.....        |     |     |          | 4    | 4   | 4  |
| 27       | MN 72A0 742       | 蓋           | .....              | Cover.....                   |     |     |          | 1    | 1   | 1  |
| 28       | M9 1106 011       | 丸 皿 ネ       | 11/64(40)×8.....   | Screw 11/64(40)×8.....       | 1   | 1   | 1        | 1    | 1   | 1  |
| 29       | M9 0952 003       | 丸 平 ネ       | 9/64(36)×6.5.....  | Screw 9/64(36)×6.5.....      | 1   | 1   | 1        | 1    | 1   | 1  |
| 30       | MN 70A0 339       | カ バ         | .....              | Cover.....                   | 1   | 1   | 1        | 1    | 1   | 1  |
| 31       | M9 0910 003       | 丸 平 ネ       | 9/64(40)×7.....    | Screw 9/64(40)×7.....        | 2   | 2   | 2        | 2    | 2   | 2  |
| 32       | MN 70A0 131       | 油 皿         | .....              | Oil guard plate.....         | 1   | 1   | 1        | 1    | 1   | 1  |
| 33       | MN 70A0 740       | フ           | .....              | Felt.....                    | 1   | 1   | 1        | 1    | 1   | 1  |
| 34       | M9 0422 050       | 小 座         | .....              | Washer 4.....                | 2   | 2   | 2        | 2    | 2   | 2  |
| 35       | MN 70A0 830       | 面 板         | .....              | Face plate.....              | 1   | 1   | 1        | 1    | 1   | 1  |

② 上糸調節器部分(国内用) (I)

THREAD TENSION REGULATOR MECHANISM (Domestic only) (I)

901



② 上糸調節器部分(国内用) (I)

THREAD TENSION REGULATOR MECHANISM (Domestic only) (I)

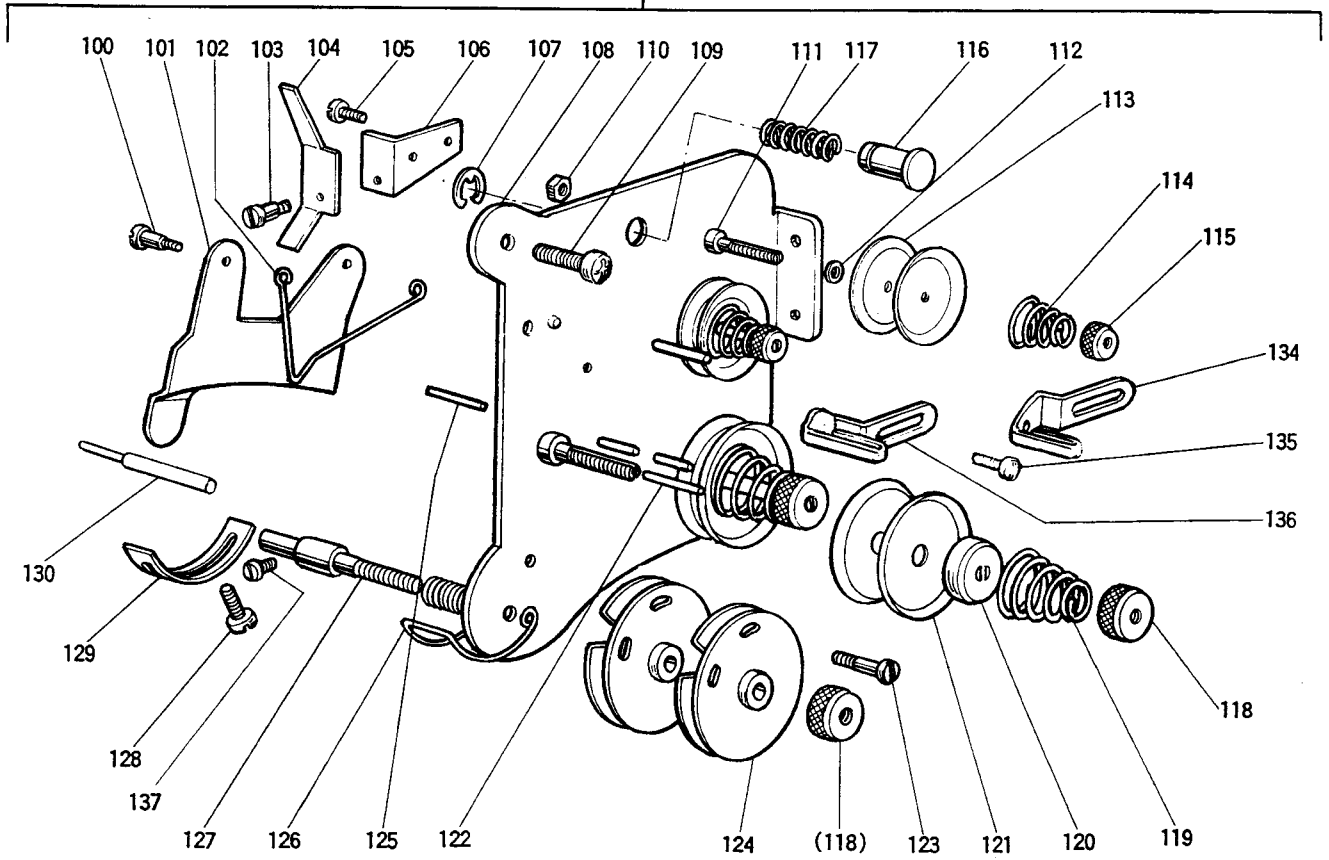
| Fig. No. | 部品コード<br>Part No. | 部 品 名   | Description                                  | 使用個数<br>Amt. Req. |     |     |          |      |     |
|----------|-------------------|---------|--|-------------------|-----|-----|----------|------|-----|
|          |                   |         |  | LT2-2220          |     |     | LT2-2230 |      |     |
|          |                   |         |  | LOB               | MOB | BOB | LT       | M1TW | BIT |
| 901      | MN 68E0 210       | 上糸調節器組  | (国内のみ) Thread tension regulator complete ... | 1                 |     |     |          |      |     |
|          | MN 70E0 210       | 上糸調節器組  | (国内のみ) Thread tension regulator complete ... |                   | 1   |     |          |      |     |
|          | MN 69E0 210       | 上糸調節器組  | (国内のみ) Thread tension regulator complete ... |                   |     | 1   |          |      |     |
|          | MN 73E0 210       | 上糸調節器組  | (国内のみ) Thread tension regulator complete ... |                   |     |     | 1        |      |     |
|          | MN 72E0 210       | 上糸調節器組  | (国内のみ) Thread tension regulator complete ... |                   |     |     |          | 1    |     |
|          | MN 74E0 210       | 上糸調節器組  | (国内のみ) Thread tension regulator complete ... |                   |     |     |          |      | 1   |
| 50       | M9 0902 015       | 平ネジ     | 9/64(40)×3 Screw 9/64(40)×3                  | 2                 | 2   | 2   | 2        | 2    | 2   |
| 51       | MN 50E0 220       | セユルメ    | Tension releasing plate                      | 1                 | 1   | 1   | 1        | 1    | 1   |
| 52       | MN 10A0 851       | センサイクバネ | Tension releasing spring                     | 1                 | 1   | 1   | 1        | 1    | 1   |
| 53       | M9 0927 015       | 平ネジ     | 9/64(40)×4.2 Screw 9/64(40)×4.2              |                   |     |     | 1        | 1    | 1   |
| 54       | MN 72A0 950       | レバ      | Lever  |                   |     |     | 1        | 1    | 1   |
| 55       | M9 0906 002       | 平取      | 9/64(40)×4.5 Screw 9/64(40)×4.5              |                   |     |     | 1        | 1    | 1   |
| 56       | MN 50A6 601       | 取付板     | Mounting plate                               |                   |     |     | 1        | 1    | 1   |
| 57       | M9 0505 065       | E形止メ    | 5 E-type stopring 5                          |                   |     |     | 1        | 1    | 1   |
| 58       | MN 70A0 601       | 取付板     | Mounting plate                               | 1                 | 1   | 1   | 1        | 1    | 1   |
| 59       | M9 1106 004       | ブラマイネジ  | 11/64(40)×8 Screw 11/64(40)×8                | 2                 | 2   | 2   | 2        | 2    | 2   |
| 60       | MN 50A4 572       | ツル巻バネ   | Spring                                       |                   |     |     | 1        | 1    | 1   |
| 61       | MP 41A1 270       | 押シボタ    | Push button                                  |                   |     |     | 1        | 1    | 1   |
| 62       | M9 1105 045       | ナット     | 11/64(40) Nut 11/64(40)                      | 2                 | 2   | 2   | 2        | 2    | 2   |
| 63       | MN 70A1 553       | 調子棒     | Thread tension stud                          | 1                 | 1   | 1   | 1        | 1    | 1   |
| 64       | MN 70A0 553       | 調子棒     | Thread tension stud                          | 1                 | 1   | 1   | 1        | 1    | 1   |
| 65       | MF 10A1 555       | 調子皿     | Thread tension disc                          | 4                 | 4   | 4   | 4        | 4    | 4   |
| 66       | MN 70A0 245       | エンスイバネ  | Spring                                       | 2                 | 2   | 2   | 2        | 2    | 2   |
| 67       | M9 1101 046       | マシナット   | 11/64(40) Thumb nut 11/64(40)                | 2                 | 2   | 2   | 2        | 2    | 2   |
| 68       | M9 7007 060       | ピン      | Pin  | 1                 | 1   | 1   | 1        | 1    | 1   |
| 69       | M9 0205 060       | ピン      | Pin  | 1                 | 1   | 1   | 1        | 1    | 1   |
| 70       | MN 69A0 181       | 糸案内     | Thread guide                                 |                   |     | 1   |          |      | 1   |
| 71       | M9 0909 003       | 平ネジ     | 9/64(40)×6 Screw 9/64(40)×6                  | 1                 | 1   | 1   | 1        | 1    | 1   |
| 72       | MN 70A2 181       | 糸案内     | Thread guide                                 | 1                 | 1   |     | 1        | 1    |     |
| 73       | MM11A0 556        | 調子皿     | Thread tension releasing disc                | 2                 | 2   | 2   | 2        | 2    | 2   |
| 74       | MT 60A0 245       | エンスイバネ  | Spring                                       |                   |     |     | 1        |      |     |
|          | MN 10A3 245       | エンスイバネ  | Spring                                       |                   | 1   |     |          | 1    |     |
|          | MN 52A1 245       | エンスイバネ  | Spring                                       |                   |     | 1   |          |      | 1   |
| 75       | MT 60A0 802       | 回止メ     | Thumb nut revolution stopper                 | 2                 | 2   | 2   | 2        | 2    | 2   |
| 76       | M9 1610 046       | マシナット   | 1/4(40) Thumb nut 1/4(40)                    | 2                 | 2   | 2   | 2        | 2    | 2   |
| 77       | MF 10A0 555       | 調子皿     | Thread tension disc                          | 4                 | 4   | 4   | 4        | 4    | 4   |
| 78       | M9 7008 060       | ピン      | Pin  | 1                 | 1   | 1   | 1        | 1    | 1   |
| 79       | MN 70A3 553       | 調子棒     | Thread tension stud                          | 1                 | 1   | 1   | 1        | 1    | 1   |
| 80       | MN 70A2 553       | 調子棒     | Thread tension stud                          | 1                 | 1   | 1   | 1        | 1    | 1   |
| 81       | M9 1611 046       | マシナット   | 1/4(40) Thumb nut 1/4(40)                    | 1                 | 1   | 1   | 1        | 1    | 1   |
| 82       | MN 70A0 573       | ツマミ     | Take-up spring guide                         | 1                 | 1   | 1   | 1        | 1    | 1   |
| 83       | M9 0915 003       | 平ネジ     | 9/64(40)×6 Screw 9/64(40)×6                  | 1                 | 1   | 1   | 1        | 1    | 1   |
| 84       | MN 70A0 477       | ストップ    | Stopper                                      | 1                 | 1   | 1   | 1        | 1    | 1   |
| 85       | MN 70A0 154       | アンナイガネ  | Thread tension post                          | 1                 | 1   | 1   | 1        | 1    | 1   |
| 86       | M9 0802 001       | 止メネジ    | 1/8(44)×3.9 Screw 1/8(44)×3.9                | 2                 | 2   | 2   | 2        | 2    | 2   |
| 87       | MN 70A0 750       | ブッシュ    | Bush   | 1                 | 1   | 1   | 1        | 1    | 1   |
| 88       | MN 70E1 175       | 板組      | Plate complete                               | 1                 | 1   | 1   | 1        | 1    | 1   |
| 89       | MN 70A1 187       | 糸取り     | Thread take-up spring                        | 1                 | 1   | 1   | 1        | 1    | 1   |
| 90       | MN 70A0 308       | 板       | Plate  | 1                 | 1   | 1   | 1        | 1    | 1   |
| 91       | MN 70A0 187       | 糸取り     | Thread take-up spring                        | 1                 | 1   | 1   | 1        | 1    | 1   |
| 92       | MN 70E0 175       | 板組      | Plate complete                               | 1                 | 1   | 1   | 1        | 1    | 1   |
| 93       | M9 0928 015       | 段付ネジ    | 9/64(40)×2.9 Screw 9/64(40)×2.9              | 1                 | 1   | 1   | 1        | 1    | 1   |
| 94       | MN 70A0 554       | 調子棒     | Thread tension stud                          | 1                 | 1   | 1   | 1        | 1    | 1   |
| 95       | M9 0910 003       | 丸平ネジ    | 9/64(40)×7 Screw 9/64(40)×7                  | 1                 | 1   | 1   | 1        | 1    | 1   |
| 96       | M9 7009 060       | ピン      | Pin  | 1                 | 1   | 1   | 1        | 1    | 1   |
| 97       | M9 0516 060       | 糸ユルメ    | Tension releasing pin                        |                   |     |     | 1        | 1    | 1   |
|          | M9 7010 060       | 糸ユルメ    | Tension releasing pin                        | 1                 | 1   | 1   |          |      |     |
| 98       | M9 0906 002       | 平ネジ     | 9/64(40)×4.5 Screw 9/64(40)×4.5              | 1                 | 1   | 1   | 1        | 1    | 1   |
| 99       | MN 10A0 477       | ストップ    | Stopper                                      | 1                 | 1   | 1   | 1        | 1    | 1   |

③ 上糸調節器部分(輸出用) (II)

THREAD TENSION REGULATOR MECHANISM (Export only) (II)

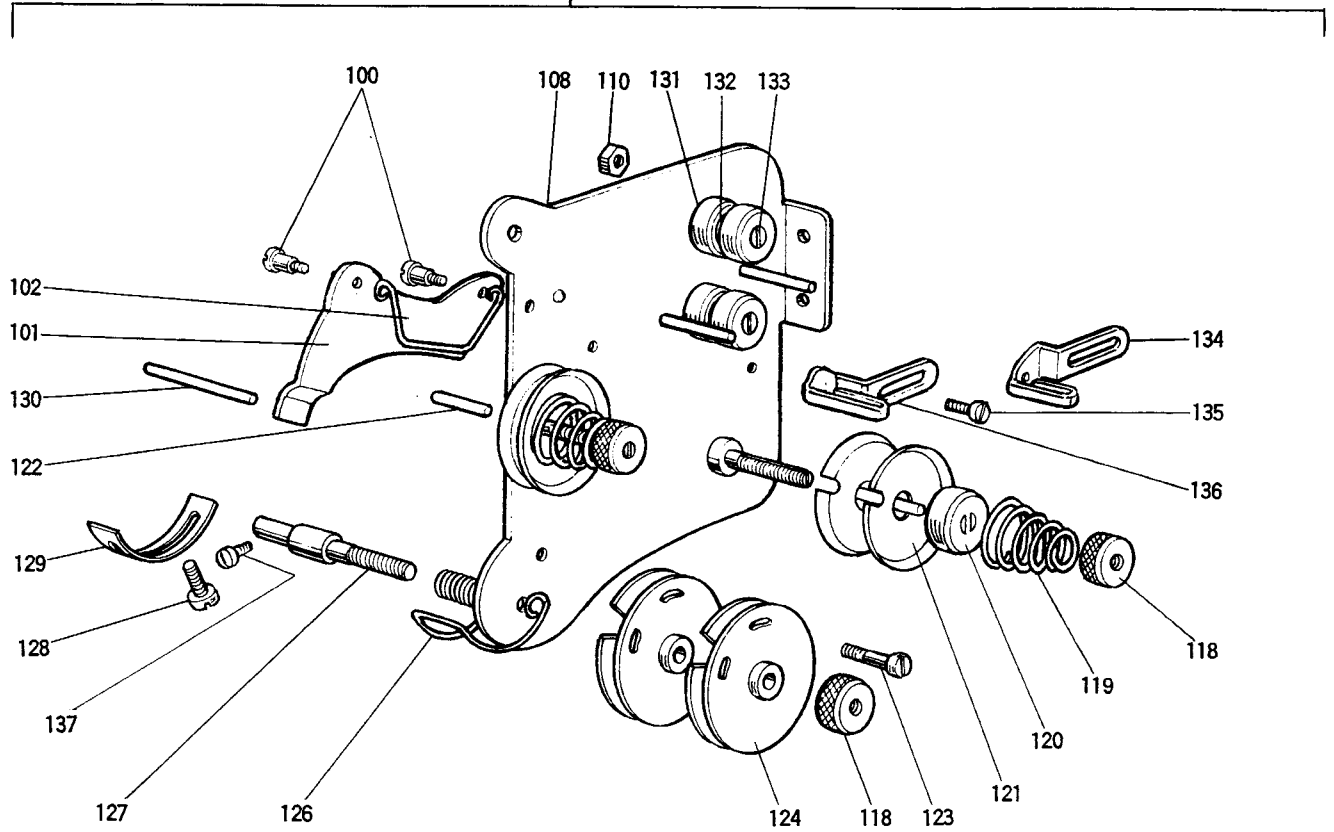
LT2-2230

903



LT2-2220

902



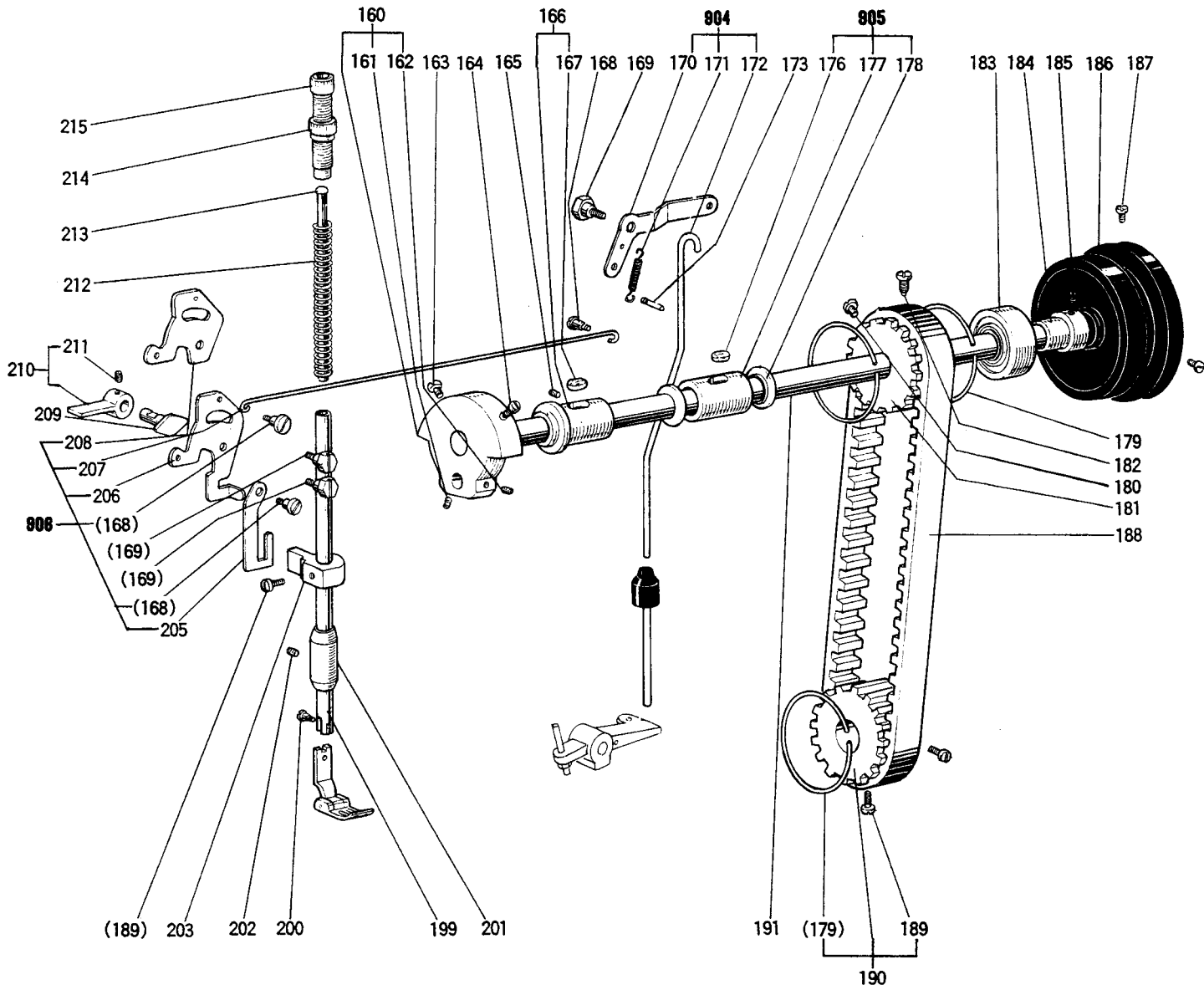
③ 上糸調節器部分(輸出用) (II)

THREAD TENSION REGULATOR MECHANISM (Export only) (II)

| Fig. No. | 部品コード<br>Part. No. | 部 品 名     | Description                       | 使用個数<br>Amt. Req. |     |     |          |      |     |   |
|----------|--------------------|-----------|-----------------------------------|-------------------|-----|-----|----------|------|-----|---|
|          |                    |           |                                   | LT2-2220          |     |     | LT2-2230 |      |     |   |
|          |                    |           |                                   | LOB               | MOB | BOB | LIT      | MITW | BIT |   |
| 902      | MN 68E1 210        | 上糸調節器組    | Thread tension regulator complete | 1                 |     |     |          |      |     |   |
|          | MN 70E1 210        | 上糸調節器組    | Thread tension regulator complete |                   | 1   |     |          |      |     |   |
|          | MN 69E1 210        | 上糸調節器組    | Thread tension regulator complete |                   |     | 1   |          |      |     |   |
| 903      | MN 73E1 210        | 上糸調節器組    | Thread tension regulator complete |                   |     |     | 1        |      |     |   |
|          | MN 72E1 210        | 上糸調節器組    | Thread tension regulator complete |                   |     |     |          | 1    |     |   |
|          | MN 74E1 210        | 上糸調節器組    | Thread tension regulator complete |                   |     |     |          |      |     | 1 |
| 100      | M9 0902 015        | 平ネジ段付     | Screw 9/64(40)                    | 2                 | 2   | 2   | 2        | 2    | 2   | 2 |
| 101      | MN 10A0 220        | 糸ユルメ      | Tension releasing plate           | 1                 | 1   | 1   |          | 1    | 1   | 1 |
|          | MN 50E0 220        | 糸ユルメ      | Tension releasing plate           |                   |     |     |          | 1    | 1   | 1 |
| 102      | MN 10A0 851        | センサイクバネ   | Tension releasing spring          | 1                 | 1   | 1   | 1        | 1    | 1   | 1 |
| 103      | M9 0927 015        | 平ネジ段付     | Screw 9/64(40)×4.2                |                   |     |     | 1        | 1    | 1   | 1 |
| 104      | MN 72A0 950        | レバ        | Lever                             |                   |     |     | 1        | 1    | 1   | 1 |
| 105      | M9 0906 002        | 平ネジ       | Screw 9/64(40)×4.5                |                   |     |     | 1        | 1    | 1   | 1 |
| 106      | MN 50A6 601        | 取付板       | Mounting plate                    |                   |     |     | 1        | 1    | 1   | 1 |
| 107      | M9 0505 065        | E形止メ輪     | E-type stoping 5                  |                   |     |     | 1        | 1    | 1   | 1 |
| 108      | MN 70E0 601        | 取付板組立     | Mounting plate complete           | 1                 | 1   | 1   |          |      |     |   |
|          | MN 72E0 601        | 取付板組立     | Mounting plate complete           |                   |     |     | 1        | 1    | 1   | 1 |
| 109      | M9 1106 004        | ブラマイネジ    | Screw 11/64(40)×8                 | 1                 | 1   | 1   | 1        | 1    | 1   | 1 |
| 110      | M9 0901 045        | ナット       | Nut 9/64(40)                      | 2                 | 2   | 2   |          |      |     |   |
|          | M9 1105 045        | ナット       | Nut 11/64(40)                     |                   |     |     | 1        | 1    | 1   | 1 |
| 111      | MF 10A1 553        | 調節子       | Thread tension stud               |                   |     |     | 2        | 2    | 2   | 2 |
| 112      | M9 0401 050        | 調節座       | Washer 4                          |                   |     |     | 1        | 1    | 1   | 1 |
| 113      | MN 50A0 555        | 調節子       | Thread tension disc               |                   |     |     | 4        | 4    | 4   | 4 |
| 114      | MN 50A1 245        | エンスイバネ    | Spring                            |                   |     |     | 2        | 2    | 2   | 2 |
| 115      | M9 1609 046        | エツマシナット   | Thumb nut 1/4(40)                 |                   |     |     | 2        | 2    | 2   | 2 |
| 116      | MP 41A1 270        | 押しボタ      | Push button                       |                   |     |     | 1        | 1    | 1   | 1 |
| 117      | MN 50A4 572        | ツル巻バネ     | Spring                            |                   |     |     | 1        | 1    | 1   | 1 |
| 118      | M9 1603 046        | ツルマシナット   | Thumb nut 1/4(40)                 |                   |     |     | 3        | 3    | 3   | 3 |
| 119      | MN 10A3 245        | エンスイバネ    | Spring                            |                   | 2   |     |          |      | 2   |   |
|          | MF 10A0 245        | エンスイバネ    | Spring                            |                   |     | 2   |          |      |     | 2 |
|          | MN 52A1 245        | エンスイバネ    | Spring                            |                   |     |     |          |      |     | 2 |
|          | MT 60A0 245        | エンスイバネ    | Spring                            | 2                 |     |     | 2        |      |     |   |
| 120      | MN 10A0 556        | 調節子皿押工    | Thread tension releasing disc     | 2                 | 2   | 2   | 2        | 2    | 2   | 2 |
| 121      | MN 10A0 555        | 調節子皿      | Thread tension disc               | 4                 | 4   | 4   | 4        | 4    | 4   | 4 |
| 122      | M9 0202 060        | 調節ピン      | Pin                               | 1                 | 1   | 1   | 1        | 1    | 1   | 1 |
| 123      | M9 0603 003        | 丸平ネジ      | Screw 3/32(56)×12                 | 1                 | 1   | 1   | 1        | 1    | 1   | 1 |
| 124      | MN 10E0 175        | 板組立       | Plate complete                    | 2                 | 2   | 2   | 2        | 2    | 2   | 2 |
| 125      | MN 25A0 220        | ピン        | Pin                               | 1                 | 1   | 1   | 1        | 1    | 1   | 1 |
| 126      | MN 10A0 187        | 係取リバネ     | Thread take-up spring             | 1                 | 1   | 1   | 1        | 1    | 1   | 1 |
| 127      | MN 10A0 554        | 調節子軸      | Tension tension stud              | 1                 | 1   | 1   | 1        | 1    | 1   | 1 |
| 128      | M9 0906 002        | 平ネジ       | Screw 9/64(40)×4.5                | 1                 | 1   | 1   | 1        | 1    | 1   | 1 |
| 129      | MN 10A0 447        | ストッパ      | Stopper                           | 1                 | 1   | 1   | 1        | 1    | 1   | 1 |
| 130      | M9 0521 060        | 糸ユルメピン    | Tension releasing pin             | 1                 | 1   | 1   |          |      |     |   |
|          | M9 0516 060        | 糸ユルメピン    | Tension releasing pin             |                   |     |     | 1        | 1    | 1   | 1 |
| 131      | MN 10A0 155        | 案内台       | Thread guide bracket              | 2                 | 2   | 2   |          |      |     |   |
| 132      | MN 10A1 555        | 案内子皿      | Thread guide disc                 | 2                 | 2   | 2   |          |      |     |   |
| 133      | M9 0930 016        | 丸平ネジ段付(組) | Screw (complete)                  | 2                 | 2   | 2   |          |      |     |   |
| 134      | MN 69A0 181        | 糸案内       | Thread guide                      |                   |     |     | 1        |      |     | 1 |
| 135      | M9 0909 003        | 丸平ネジ      | Screw 9/64(40)×6                  | 1                 | 1   | 1   | 1        | 1    | 1   | 1 |
| 136      | MN 70A2 181        | 糸案内       | Thread guide                      | 1                 | 1   |     | 1        | 1    |     |   |
| 137      | M9 0910 003        | 丸平ネジ      | Screw 9/64(40)×7                  | 1                 | 1   | 1   | 1        | 1    | 1   | 1 |

④ 上軸・押え・ひざ上げ機構

UPPER SHAFT & PRESSER FOOT MECHANISM



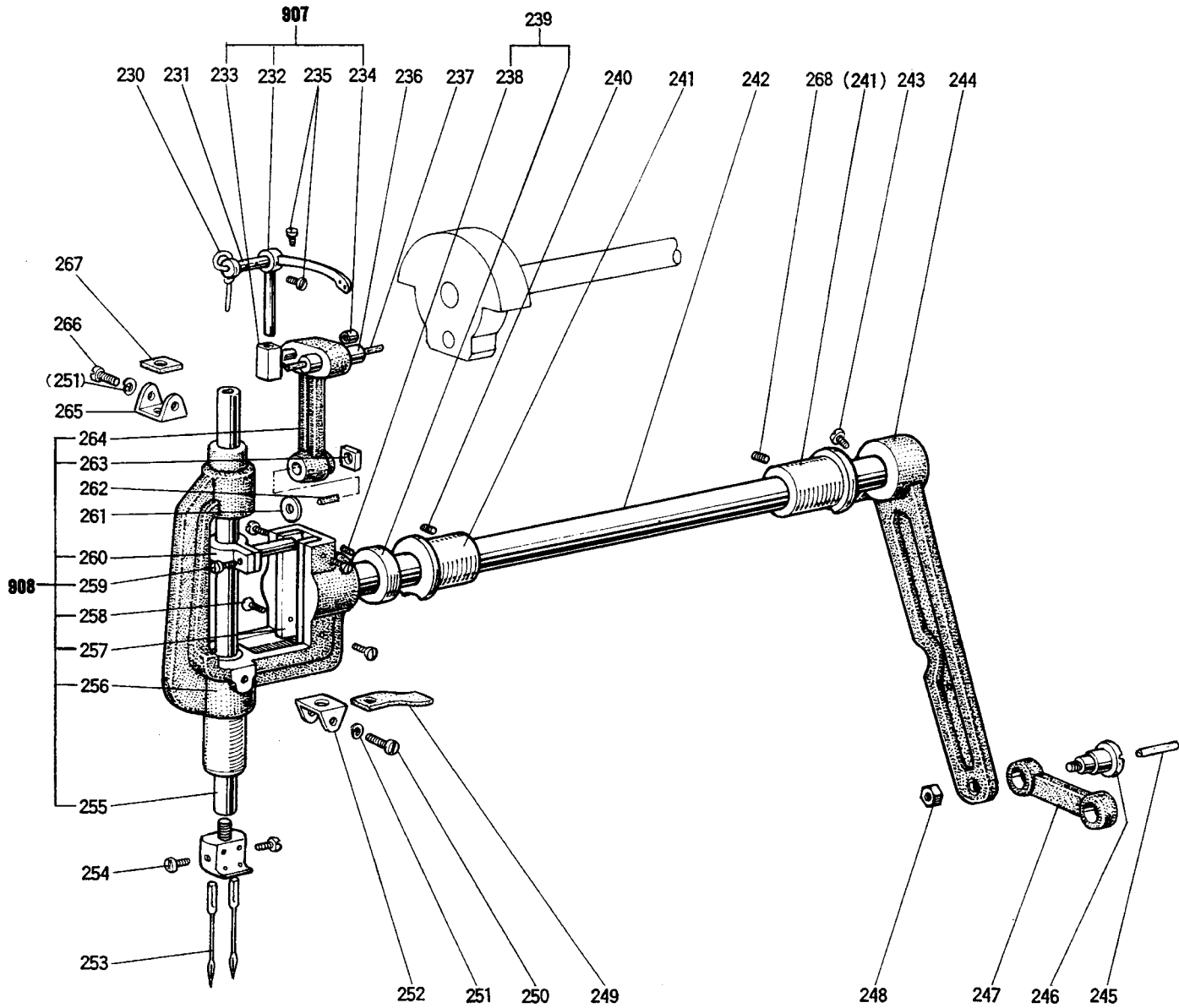


4 上軸・押え・ひざ上げ機構

UPPER SHAFT & PRESSER FOOT MECHANISM

| Fig. No. | 部品コード<br>Part. No. | 部 品 名                      | Description                         | 使用個数<br>Amt. Req. |     |     |          |     |     |
|----------|--------------------|----------------------------|-------------------------------------|-------------------|-----|-----|----------|-----|-----|
|          |                    |                            |                                     | LT2-2220          |     |     | LT2-2230 |     |     |
|          |                    |                            |                                     | UB                | MOB | BOB | LT       | MTW | BIT |
| 160      | ML 65B0 383        | ク ラ ン ク (組)                | Crank (complete)                    | 1                 | 1   |     | 1        | 1   |     |
|          | MN 42A0 383        | ク ラ ン ク (組)                | Crank (complete)                    |                   |     | 1   |          |     | 1   |
| 161      | M9 1602 001        | 止 メ ネ ジ 1/4(40)×4          | Screw 1/4(40)×4                     | 1                 | 1   | 1   | 1        | 1   | 1   |
| 162      | M9 1606 001        | 止 メ ネ ジ 1/4(40)×6          | Screw 1/4(40)×6                     | 1                 | 1   | 1   | 1        | 1   | 1   |
| 163      | M9 1801 002        | 平 ネ ジ 9/32(28)×13          | Screw 9/32(28)×13                   | 1                 | 1   | 1   | 1        | 1   | 1   |
| 164      | M9 1802 006        | 平 ネ ジ 棒 先 9/32(28)×14      | Screw 9/32(28)×14                   | 1                 | 1   | 1   | 1        | 1   | 1   |
| 165      | M9 1516 001        | 止 メ ネ ジ 15/64(28)×14       | Screw 15/64(28)×14                  | 1                 | 1   | 1   | 1        | 1   | 1   |
| 166      | MN 70A0 232        | 上 軸 メ タ ル 左(組)             | Arm shaft bushing left (complete)   | 1                 | 1   | 1   | 1        | 1   | 1   |
| 167      | MN 10A6 740        | フ ェ ル ト                    | Felt                                | 1                 | 1   | 1   | 1        | 1   | 1   |
| 168      | M9 1219 015        | 平 ネ ジ 段 付 3/16(28)×3.5     | Screw 3/16(28)×3.5                  | 3                 | 3   | 3   | 3        | 3   | 3   |
| 169      | M9 1503 031        | ボ ル ト 15/64(28)×6.7        | Bolt 15/64(28)×6.7                  | 3                 | 3   | 3   | 3        | 3   | 3   |
| 904      | MN 70E0 252        | 押 工 上 ゲ レ バ ー 右 (組)        | Knee lifter lever right (complete)  | 1                 | 1   | 1   | 1        | 1   | 1   |
| 170      | MN 70A0 252        | 押 工 上 ゲ レ バ ー (右)          | Knee lifter lever (right)           | 1                 | 1   | 1   | 1        | 1   | 1   |
| 171      | MN 70A0 572        | ツ ル 巻 キ バ ネ                | Spring                              | 1                 | 1   | 1   | 1        | 1   | 1   |
| 172      | MN 70A0 511        | 操 作 棒                      | Knee lifter connecting rod          | 1                 | 1   | 1   | 1        | 1   | 1   |
| 173      | M9 5004 067        | 溝 付 ピ ン (BX形)φ5×28         | Pin φ5×28                           | 1                 | 1   | 1   | 1        | 1   | 1   |
| 905      | MN 70E0 234        | 上 軸 メ タ ル 中 (組)            | Arm shaft bushing middle (complete) | 1                 | 1   |     | 1        | 1   |     |
| 176      |                    | フ ェ ル ト                    | Felt                                | 1                 | 1   |     | 1        | 1   |     |
| 177      |                    | 上 軸 メ タ ル 中                | Arm shaft bushing (middle)          | 1                 | 1   |     | 1        | 1   |     |
| 178      |                    | オ イ ル シ ー ル                | Oil seal                            | 2                 | 2   |     | 2        | 2   |     |
| 179      | MN 10A1 851        | セ ン サ イ ク バ ネ              | Spring flange                       | 3                 | 3   | 3   | 3        | 3   | 3   |
| 180      | M9 1516 002        | 平 ネ ジ 15/64(28)×8.5        | Screw 15/64(28)×8.5                 | 1                 | 1   | 1   | 1        | 1   | 1   |
| 181      | MN 40A0 767        | 歯 形 ベ ル ト 車 (上)            | Pulley (upper)                      | 1                 | 1   | 1   |          |     |     |
|          | MN 50A0 767        | 歯 形 ベ ル ト 車 (上)            | Pulley (upper)                      |                   |     |     | 1        | 1   | 1   |
| 182      | M9 1501 007        | 丸 平 ネ ジ 棒 先 15/64(28)×14.5 | Screw 15/64(28)×14.5                | 1                 | 1   | 1   | 1        | 1   | 1   |
| 183      | MN 70A0 456        | 軸 受                        | Ball bearing                        | 1                 | 1   | 1   |          |     |     |
| 184      | MN 40A1 750        | ブ ッ シ ュ                    | Bushing                             | 1                 | 1   | 1   |          |     |     |
| 185      | M9 1516 002        | 平 ネ ジ 15/64(28)×8.5        | Screw 15/64(28)×8.5                 | 2                 | 2   | 2   |          |     |     |
| 186      | MN 70E0 682        | プ ー リ                      | Pulley                              | 1                 | 1   | 1   |          |     |     |
| 187      | M9 1502 002        | 平 ネ ジ 15/64(28)×12         | Screw 15/64(28)×12                  | 2                 | 2   | 2   |          |     |     |
| 188      | MN 10A0 523        | 歯 形 ベ ル ト                  | Cog belt                            | 1                 | 1   | 1   | 1        | 1   | 1   |
| 189      | M9 1515 002        | 平 ネ ジ 15/64(28)×10         | Screw 15/64(28)×10                  | 3                 | 3   | 3   | 3        | 3   | 3   |
| 190      | MN 70A0 768        | 歯 形 ベ ル ト 車 組(下)           | Pulley complete (lower)             | 1                 | 1   | 1   |          |     |     |
|          | MN 72A0 768        | 歯 形 ベ ル ト 車 組(下)           | Pulley complete (lower)             |                   |     |     | 1        | 1   | 1   |
| 191      | MN 70A0 230        | 上 軸                        | Arm shaft                           | 1                 | 1   | 1   |          |     |     |
|          | MN 72A0 230        | 上 軸                        | Arm shaft                           |                   |     |     | 1        | 1   | 1   |
| 199      | MN 70A0 262        | 押 エ 棒                      | Presser bar                         | 1                 | 1   | 1   | 1        | 1   | 1   |
| 200      | M9 0851 015        | 平 ネ ジ 段 付 1/8(44)×4        | Screw 1/8(44)×4                     | 1                 | 1   | 1   | 1        | 1   | 1   |
| 201      | MF 00A0 267        | 押 工 棒 メ タ ル                | Bushing                             | 1                 | 1   | 1   | 1        | 1   | 1   |
| 202      | M9 1513 001        | 止 メ ネ ジ 15/64(28)×10       | Screw 15/64(28)×10                  | 1                 | 1   | 1   | 1        | 1   | 1   |
| 203      | MN 70A0 265        | 押 工 棒 ダ キ                  | Presser bar guide bracket           | 1                 | 1   | 1   | 1        | 1   | 1   |
| 906      | MN 70E1 252        | 押 工 上 ゲ レ バ ー 左 (組)        | Knee lifter lever left (complete)   | 1                 | 1   | 1   |          |     |     |
|          | MN 72E0 252        | 押 工 上 ゲ レ バ ー 左 (組)        | Knee lifter lever left (complete)   |                   |     |     | 1        | 1   | 1   |
| 205      | MN 70A0 510        | 操 作 板                      | Operation plate                     | 1                 | 1   | 1   | 1        | 1   | 1   |
| 206      | MN 70A1 252        | 押 工 上 ゲ レ バ ー 左            | Knee lifter lever left              | 1                 | 1   | 1   |          |     |     |
| 207      | MN 70A0 738        | 引 棒                        | Knee lifter rod                     | 1                 | 1   | 1   | 1        | 1   | 1   |
| 208      | MN 72A1 252        | 押 工 上 ゲ レ バ ー 左            | Knee lifter lever left              |                   |     |     | 1        | 1   | 1   |
| 209      | MN 70A0 253        | 押 工 上 ゲ カ ム                | Presser bar lifting cam             | 1                 | 1   | 1   | 1        | 1   | 1   |
| 210      | MN 70A2 252        | 押 工 上 ゲ (組)                | Presser bar lifter (complete)       | 1                 | 1   | 1   | 1        | 1   | 1   |
| 211      | M9 1109 001        | 止 メ ネ ジ 11/64(40)×6.6      | Screw 11/64(40)×6.6                 | 2                 | 2   | 2   | 2        | 2   | 2   |
| 212      | MF 12B0 259        | ツ ル 巻 キ バ ネ                | Spring                              | 1                 | 1   | 1   | 1        | 1   | 1   |
| 213      | MF 20A0 703        | 案 内 棒                      | Presser spring guide                | 1                 | 1   | 1   | 1        | 1   | 1   |
| 214      | M9 3202 047        | 特 殊 ナ ッ ト 1/2(28)          | Special nut 1/2(28)                 | 1                 | 1   | 1   | 1        | 1   | 1   |
| 215      | M9 3202 045        | ツ マ ミ ネ ジ 1/2(28)×49       | Thumb nut 1/2(28)×49                | 1                 | 1   | 1   | 1        | 1   | 1   |

⑤ 天秤・針棒揺動機構  
 THREAD TAKE-UP LEVER & NEEDLE BAR  
 ROCK MOTION MECHANISM

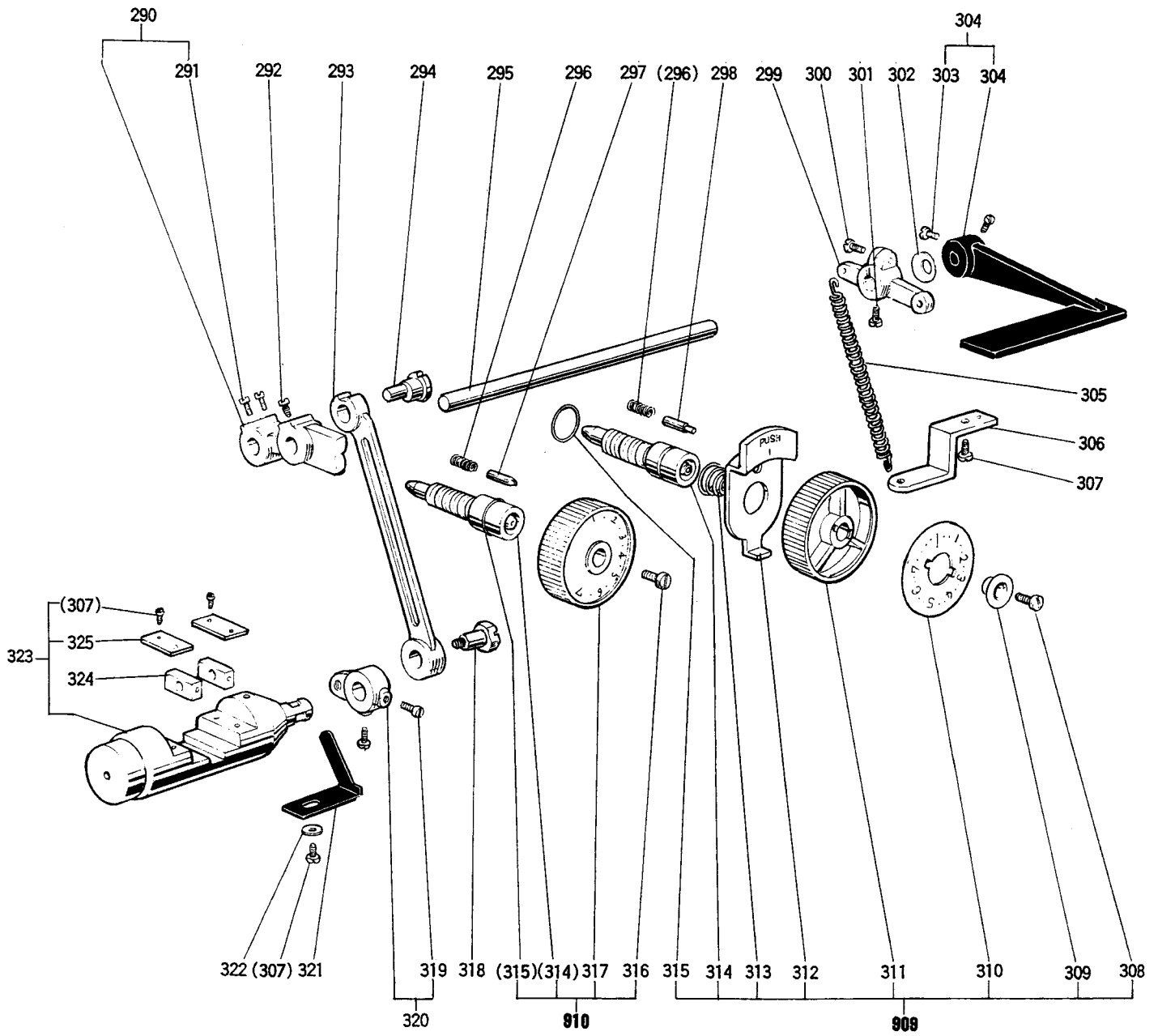


5 天秤・針棒揺動機構

THREAD TAKE-UP LEVER & NEEDLE BAR  
ROCK MOTION MECHANISM

| Fig. No. | 部品コード<br>Part No. | 部 品 名     | Description   | 使用個数<br>Amt. Req. |     |     |          |      |     |
|----------|-------------------|-----------|---|-------------------|-----|-----|----------|------|-----|
|          |                   |           |   | LT2-2220          |     |     | LT2-2230 |      |     |
|          |                   |           |   | LOB               | MOB | BOB | LIT      | MITW | BIT |
| 230      | MF 10E2 148       | ヒ モ       | φ2.5×240..... Oil wick φ2.5×240.....  | 1                 | 1   | 1   | 1        | 1    | 1   |
| 231      | MN 70A0 587       | 天ピン支工軸    | Thread take-up guide bracket pin.....   | 1                 | 1   | 1   | 1        | 1    | 1   |
| 907      | MN 68E0 582       | 天ピン・スベリガネ | (組)..... Thread take-up lever & link (complete).....  | 1                 |     |     | 1        |      | 1   |
|          | MN 70E0 582       | 天ピン・スベリガネ | (組)..... Thread take-up lever & link (complete).....  |                   | 1   |     |          | 1    |     |
|          | MN 69E0 582       | 天ピン・スベリガネ | (組)..... Thread take-up lever & link (complete).....  |                   |     | 1   |          |      | 1   |
| 232      | _____             | 天ビニン      | Thread take-up lever.....   | 1                 |     |     | 1        |      |     |
|          | _____             | 天ビニン      | Thread take-up lever.....   |                   | 1   |     |          | 1    |     |
|          | _____             | 天ビニン      | Thread take-up lever.....   |                   |     | 1   |          |      | 1   |
| 233      | _____             | スベリガネ     | Thread take-up link.....  | 1                 | 1   |     | 1        | 1    |     |
|          | _____             | スベリガネ     | Thread take-up link.....  |                   |     | 1   |          |      | 1   |
| 234      | MN 10A0 500       | セネン       | Plug.....   | 1                 | 1   | 1   | 1        | 1    | 1   |
| 235      | M9 1502 002       | 平ネジ       | <sup>15</sup> / <sub>64</sub> (28)×12..... Screw <sup>15</sup> / <sub>64</sub> (28)×12..... | 3                 | 3   | 3   | 3        | 3    | 3   |
| 236      | MN 70A0 387       | 針棒クランク軸   | Needle bar crank pin.....   | 1                 | 1   | 1   | 1        | 1    | 1   |
| 237      | MN 10E3 148       | 針モ        | φ3.0×25..... Oil wick φ3.0×25.....  | 1                 | 1   | 1   | 1        | 1    | 1   |
| 238      | M9 1606 001       | 止メネジ      | <sup>11</sup> / <sub>64</sub> (40)×6..... Screw <sup>11</sup> / <sub>64</sub> (40)×6.....   | 1                 | 1   | 1   | 1        | 1    | 1   |
| 239      | MN 70A0 352       | カラ        | (組)..... Collar (complete).....   | 1                 | 1   | 1   | 1        | 1    | 1   |
| 240      | M9 1506 001       | 止メネジ      | <sup>15</sup> / <sub>64</sub> (28)×7..... Screw <sup>15</sup> / <sub>64</sub> (28)×7.....   | 1                 | 1   | 1   | 1        | 1    | 1   |
| 241      | MN 40A0 669       | 針棒揺動軸メタル  | Needle bar rock shaft bushing.....  | 2                 | 2   | 2   | 2        | 2    | 2   |
| 242      | MN 70A0 668       | 針棒揺動軸     | Needle bar rock shaft.....  | 1                 | 1   | 1   | 1        | 1    | 1   |
| 243      | M9 1603 003       | 丸平ネジ      | <sup>1</sup> / <sub>4</sub> (24)×16..... Screw <sup>1</sup> / <sub>4</sub> (24)×16.....     | 1                 | 1   | 1   | 1        | 1    | 1   |
| 244      | MN 40A1 762       | 針棒揺動腕     | Needle bar rock shaft crank.....  | 1                 | 1   | 1   | 1        | 1    | 1   |
| 245      | MF 10E2 148       | ヒモ        | φ2.5×85..... Oil wick φ2.5×85.....  | 1                 | 1   | 1   | 1        | 1    | 1   |
| 246      | M9 2001 015       | 平ネジ       | <sup>5</sup> / <sub>16</sub> (24)×26..... Screw <sup>5</sup> / <sub>16</sub> (24)×26.....   | 1                 | 1   | 1   | 1        | 1    | 1   |
| 247      | MN 40A0 956       | レネツカ      | Link.....   | 1                 | 1   | 1   | 1        | 1    | 1   |
| 248      | M9 2002 045       | ネツカ       | Nut <sup>5</sup> / <sub>16</sub> (24).....  | 1                 | 1   | 1   | 1        | 1    | 1   |
| 249      | MN 50A0 740       | フェルト      | Felt.....   | 1                 | 1   | 1   | 1        | 1    | 1   |
| 250      | M9 0805 002       | 平バネ       | <sup>1</sup> / <sub>8</sub> (44)×4.5..... Screw <sup>1</sup> / <sub>8</sub> (44)×4.5.....   | 2                 | 2   | 2   | 2        | 2    | 2   |
| 251      | M9 0301 053       | ネ座        | 3..... Spring washer 3.....   | 4                 | 4   | 4   | 4        | 4    | 4   |
| 252      | MN 10A6 689       | ホルダ       | Holder.....   | 1                 | 1   | 1   | 1        | 1    | 1   |
| 253      | MN 68A0 128       | シン        | DP×5 #11..... Needle DP×5 #11.....  | 2                 |     |     | 2        |      |     |
|          | MV 01A0 128       | シン        | DP×5 #14..... Needle DP×5 #14.....  |                   | 2   |     |          | 2    |     |
|          | MN 10A1 128       | シン        | DP×5 #18..... Needle DP×5 #18.....  |                   |     | 2   |          |      | 2   |
| 254      | M9 0935 003       | 丸平ネジ      | <sup>9</sup> / <sub>64</sub> (40)×4..... Screw <sup>9</sup> / <sub>64</sub> (40)×4.....     | 2                 | 2   | 2   | 2        | 2    | 2   |
| 908      | MN 70E0 666       | 支工棒       | (組)..... Needle bar rock frame (complete).....  | 1                 | 1   | 1   | 1        | 1    | 1   |
| 255      | MN 10A0 660       | 針支工棒      | Needle bar.....   | 1                 | 1   | 1   | 1        | 1    | 1   |
| 256      | _____             | 針支工棒      | Needle bar rock frame.....  | 1                 | 1   | 1   | 1        | 1    | 1   |
| 257      | _____             | スベリ       | Spacer.....   | 2                 | 2   | 2   | 2        | 2    | 2   |
| 258      | M9 0604 011       | 丸皿ネジ      | <sup>3</sup> / <sub>32</sub> (56)×4..... Screw <sup>3</sup> / <sub>32</sub> (56)×4.....     | 4                 | 4   | 4   | 4        | 4    | 4   |
| 259      | M9 0905 002       | 丸皿ネジ      | <sup>9</sup> / <sub>64</sub> (40)×8.5..... Screw <sup>9</sup> / <sub>64</sub> (40)×8.5..... | 1                 | 1   | 1   | 1        | 1    | 1   |
| 260      | _____             | 針棒ダ       | Needle bar connecting stud.....   | 1                 | 1   | 1   | 1        | 1    | 1   |
| 261      | M9 3003 050       | 座金        | Washer.....   | 1                 | 1   | 1   | 1        | 1    | 1   |
| 262      | MN 10A0 740       | フェルト      | Felt.....   | 1                 | 1   | 1   | 1        | 1    | 1   |
| 263      | _____             | 角胸        | Square block.....   | 1                 | 1   | 1   | 1        | 1    | 1   |
| 264      | _____             | レネツカ      | Needle bar connecting link.....   | 1                 | 1   | 1   | 1        | 1    | 1   |
| 265      | MN 10A5 689       | ホルダ       | Holder.....   | 1                 | 1   | 1   | 1        | 1    | 1   |
| 266      | M9 0803 002       | 平ネジ       | <sup>1</sup> / <sub>8</sub> (44)×3.5..... Screw <sup>1</sup> / <sub>8</sub> (44)×3.5.....   | 2                 | 2   | 2   | 2        | 2    | 2   |
| 267      | MN 40A1 740       | フェルト      | Felt.....   | 1                 | 1   | 1   | 1        | 1    | 1   |
| 268      | M9 1513 001       | 止メネジ      | <sup>15</sup> / <sub>64</sub> (28)×10..... Screw <sup>15</sup> / <sub>64</sub> (28)×10..... | 1                 | 1   | 1   | 1        | 1    | 1   |

⑥ 縫目加減機構  
 STITCH REGULATOR MECHANISM



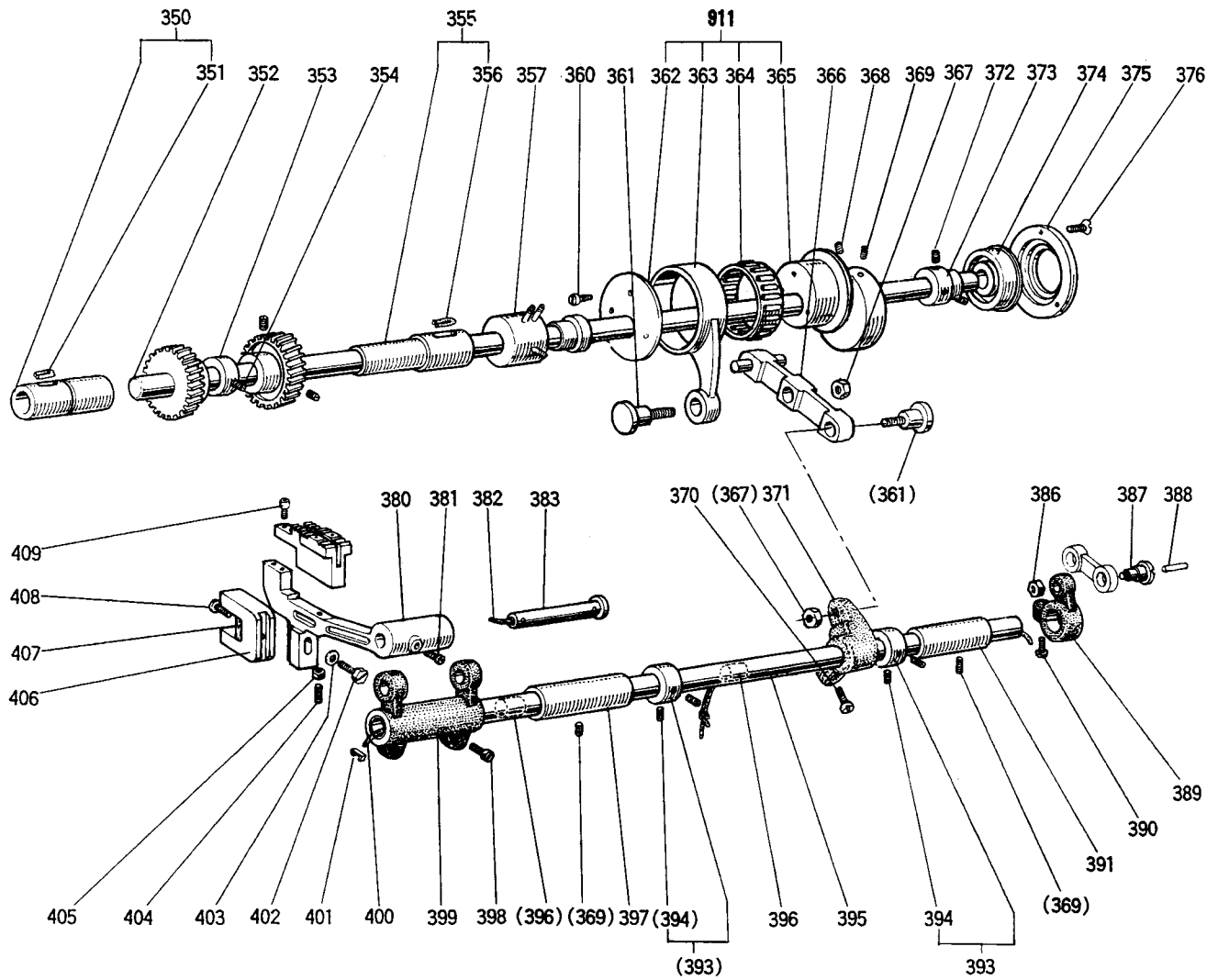
6 縫目加減機構

STITCH REGULATOR MECHANISM

| Fig. No. | 部品コード<br>Part No. | 部 品 名       | Description                              | 使用個数<br>Amt. Req. |     |     |          |      |    |
|----------|-------------------|-------------|--|-------------------|-----|-----|----------|------|----|
|          |                   |             |  | LT2-2220          |     |     | LT2-2230 |      |    |
|          |                   |             |  | LOB               | MOB | BOB | LT       | MITW | BT |
| 290      | MN 70A0 291       | 送り調節カム (組)  | Feed regulator (complete)                | 1                 | 1   | 1   | 1        | 1    | 1  |
| 291      | M9 1516 002       | 平ネジ         | Screw 15/64(28)×8.5                      | 2                 | 2   | 2   | 2        | 2    | 2  |
| 292      | M9 1505 007       | 丸平ネジ        | Screw 15/64(28)×12                       | 1                 | 1   | 1   | 1        | 1    | 1  |
| 293      | MN 70A1 956       | 連接棒         | Connecting link                          | 1                 | 1   | 1   | 1        | 1    | 1  |
| 294      | MN 70A0 761       | 偏心軸         | Eccentric shaft                          | 1                 | 1   | 1   | 1        | 1    | 1  |
| 295      | MN 70A0 320       | 返し縫イ軸上      | Reverse stitch shaft (upper)             | 1                 | 1   | 1   |          |      |    |
|          | MN 72A0 320       | 返し縫イ軸上      | Reverse stitch shaft (upper)             |                   |     |     | 1        | 1    | 1  |
| 296      | MF 10A2 572       | ツル巻キバネ      | Spring                                   | 1                 | 1   | 1   | 1        | 1    | 1  |
| 297      | MF 80A0 852       | ピン          | Pin                                      | 1                 | 1   | 1   |          |      |    |
| 298      | MF 00A0 852       | ピン          | Pin                                      |                   |     |     | 1        | 1    | 1  |
| 299      | MN 40A0 228       | 腕           | Arm                                      | 1                 | 1   | 1   |          |      |    |
|          | MN 50A6 228       | 腕           | Arm                                      |                   |     |     | 1        | 1    | 1  |
| 300      | M9 0508 003       | 丸平ネジ        | Screw 15/64(28)×16.5                     | 1                 | 1   | 1   | 1        | 1    | 1  |
| 301      | M9 1102 002       | 平ネジ         | Screw 11/64(40)×8.5                      | 1                 | 1   | 1   | 1        | 1    | 1  |
| 302      | M9 5003 053       | 平ネジ座        | Spring washer                            | 1                 | 1   | 1   |          |      |    |
| 303      | M9 1516 002       | 丸平ネジ        | Screw 15/64(28)×8.5                      | 2                 | 2   | 2   |          |      |    |
| 304      | MN 70A0 632       | 縫目加減レバー (組) | Reverse sewing lever (complete)          | 1                 | 1   | 1   |          |      |    |
|          | MN 72A0 632       | 縫目加減レバー     | Reverse sewing lever                     |                   |     |     | 1        | 1    | 1  |
| 305      | MN 40A0 572       | ツル巻キバネ      | Spring                                   | 1                 | 1   | 1   | 1        | 1    | 1  |
| 306      | MN 40A0 154       | 案内板         | Bracket for spring                       | 1                 | 1   | 1   |          |      |    |
| 307      | M9 1106 004       | ブラマイネジ      | Screw 11/64(40)×8                        | 6                 | 6   | 6   | 5        | 5    | 5  |
| 308      | MN 72E0 640       | 送り調節ネジ組立    | Screw bar complete                       |                   |     |     | 1        | 1    |    |
|          | MN 74E0 640       | 送り調節ネジ組立    | Screw bar complete                       |                   |     |     |          |      | 1  |
| 308      | M9 1215 002       | 平ネジ         | Screw 3/16(28)×12                        |                   |     |     | 1        | 1    | 1  |
| 309      | MF 00A0 257       | 押工金         | Bushing                                  |                   |     |     | 1        | 1    | 1  |
| 310      | MF 01A0 841       | 目盛板         | Stitch length indicating plate           |                   |     |     | 1        | 1    |    |
|          | MN 74A0 841       | 目盛板         | Stitch length indicating plate           |                   |     |     |          |      | 1  |
| 311      | MF 01A0 631       | ダイヤル        | Dial                                     |                   |     |     | 1        | 1    | 1  |
| 312      | MF 00A0 950       | レバ          | Stopper pin releasing lever              |                   |     |     | 1        | 1    | 1  |
| 313      | MF 02A0 245       | 円錐バネ        | Coil spring                              |                   |     |     | 1        | 1    | 1  |
| 314      | MF 60A1 640       | 送り調節ネジ      | Screw bar                                | 1                 | 1   | 1   | 1        | 1    | 1  |
| 315      | M9 1000 085       | Oリング        | O-ring φ10                               | 1                 | 1   | 1   | 1        | 1    | 1  |
| 316      | MN 70E0 640       | 送り調節ネジ組立    | Screw bar complete                       | 1                 | 1   |     |          |      |    |
|          | MN 69E0 640       | 送り調節ネジ組立    | Screw bar complete                       |                   |     |     | 1        |      |    |
| 316      | M9 1209 002       | 平ネジ         | Screw 3/16(28)×8                         | 1                 | 1   | 1   |          |      |    |
| 317      | MN 70A0 631       | ダイヤル        | Dial                                     | 1                 | 1   |     |          |      |    |
|          | MN 69A0 631       | ダイヤル        | Dial                                     |                   |     |     | 1        |      |    |
| 318      | M9 1607 031       | 特殊ボルト       | Bolt 1/4(40)×8                           | 1                 | 1   | 1   | 1        | 1    | 1  |
| 319      | M9 1515 002       | 平ネジ         | Screw 15/64(28)×10                       | 2                 | 2   | 2   | 2        | 2    | 2  |
| 320      | MN 70A0 634       | 縫目加減腕下 (組)  | Stitch regulating crank lower (complete) | 1                 | 1   | 1   | 1        | 1    | 1  |
| 321      | MN 70A0 257       | 返し台押工板      | Holding plate of reverse bar             | 1                 | 1   | 1   | 1        | 1    | 1  |
| 322      | M9 3002 050       | 返座          | Washer                                   | 1                 | 1   | 1   | 1        | 1    | 1  |
| 323      | MN 70A0 321       | 返し台 (組)     | Reverse bar (complete)                   | 1                 | 1   | 1   | 1        | 1    | 1  |
| 324      | MN 70A0 325       | 直角案内        | Square block                             | 2                 | 2   | 2   | 2        | 2    | 2  |
| 325      | MN 70A1 154       | 案内板         | Guide plate                              | 2                 | 2   | 2   | 2        | 2    | 2  |

7 下軸・送り機構

LOWER SHAFT & FEED ROCK SHAFT MECHANISM



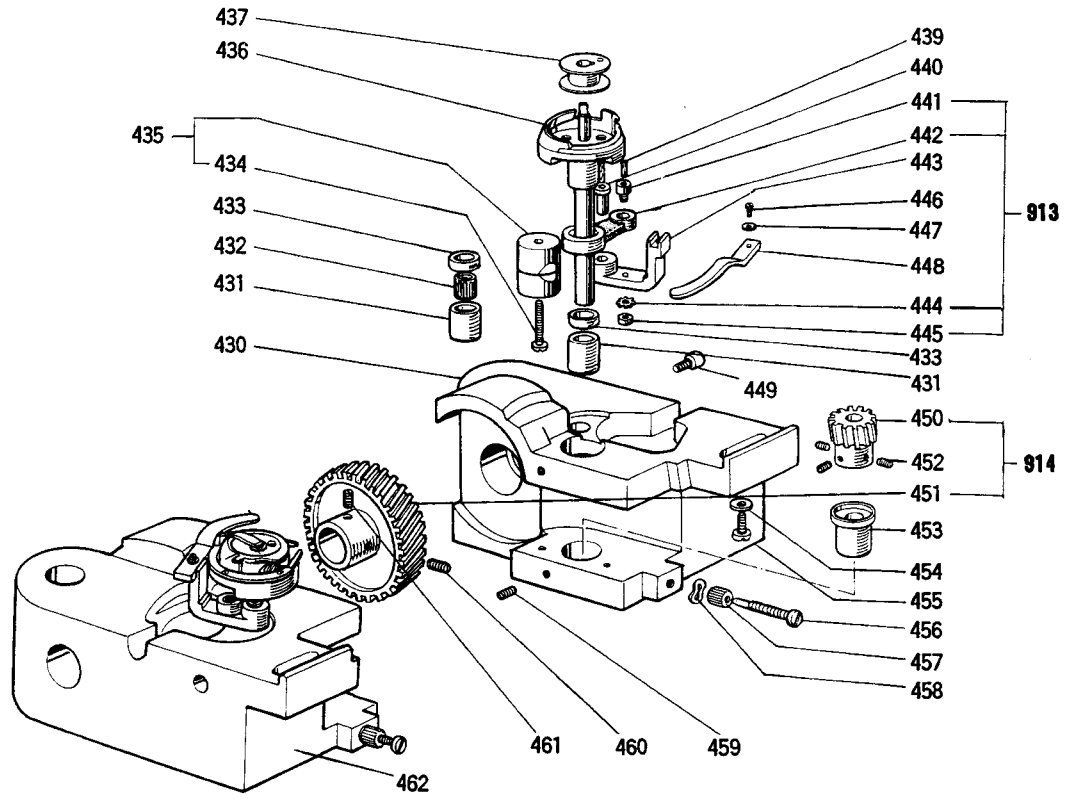
7 下軸・送り機構

LOWER SHAFT & FEED ROCK SHAFT MECHANISM

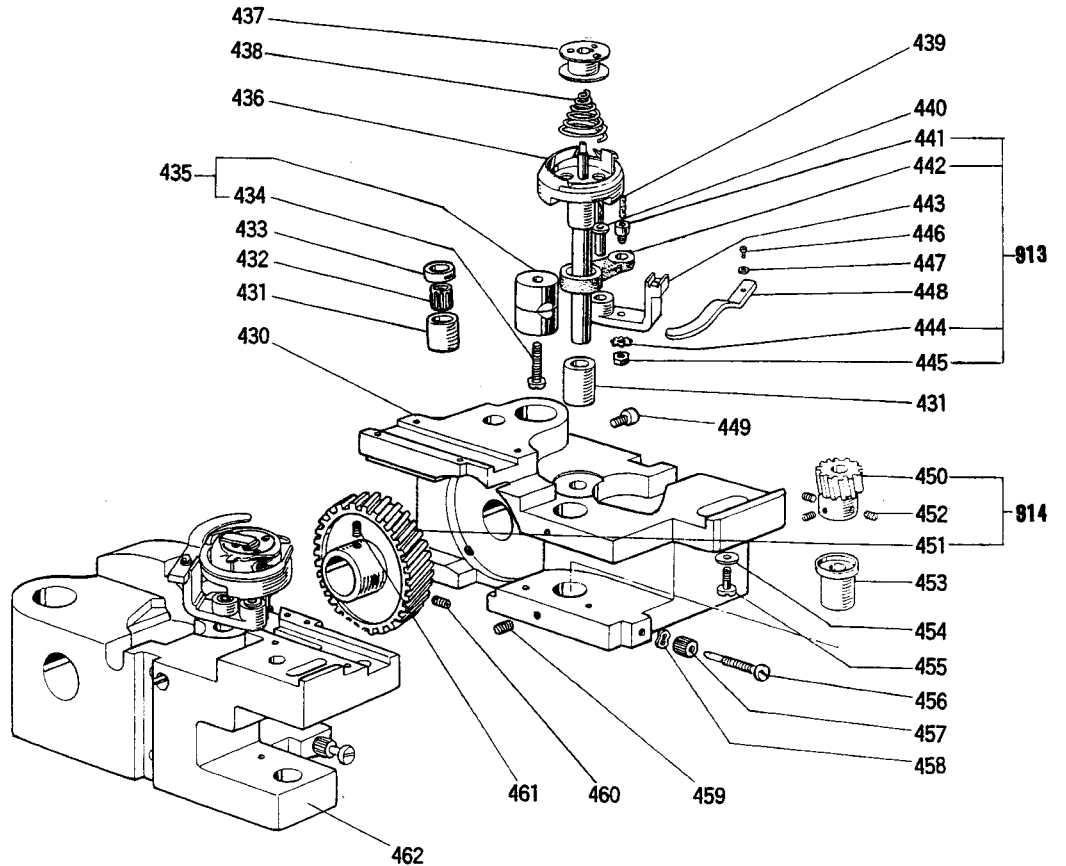
| Fig. No. | 部品コード<br>Part. No. | 部 品 名     | Description  | 使用個数<br>Amt. Req. |     |     |          |   |    |     |
|----------|--------------------|-----------|--|-------------------|-----|-----|----------|---|----|-----|
|          |                    |           |  | LT2-2220          |     |     | LT2-2230 |   |    |     |
|          |                    |           |  | LOB               | MOB | BOB | L        | M | TW | BIT |
| 350      | MN 70A0 451        | 下軸メタル     | 左(組)..... Lower shaft bushing left (complete).....   | 1                 | 1   | 1   | 1        | 1 | 1  | 1   |
| 351      | MN 70E1 148        | 下ヒモ       | φ2×45..... Oil wick φ2×45.....                       | 1                 | 1   | 1   | 1        | 1 | 1  | 1   |
| 352      | MN 70A0 450        | 下軸        | ..... Lower shaft.....                               | 1                 | 1   | 1   | 1        | 1 | 1  | 1   |
| 353      | MN 70A0 760        | 偏心輪       | ..... Feed lifting cam.....                          | 1                 | 1   | 1   | 1        | 1 | 1  | 1   |
| 354      | M9 1603 001        | 止メネジ      | 1/4(40)×5..... Screw 1/4(40)×5.....                  | 1                 | 1   | 1   | 1        | 1 | 1  | 1   |
| 355      | MN 70A0 452        | 下軸メタル     | 右(組)..... Lower shaft bushing right (complete).....  | 1                 | 1   | 1   | 1        | 1 | 1  | 1   |
| 356      | MN 70E1 148        | 下ヒモ       | φ2×85..... Oil wick φ2×85.....                       | 1                 | 1   | 1   | 1        | 1 | 1  | 1   |
| 357      | MN 70E0 453        | 下軸メタル     | 中(組)..... Lower shaft bushing middle (complete)..... | 1                 | 1   | 1   | 1        | 1 | 1  | 1   |
| 911      | MN 70E0 290        | 水平送りカムロッド | (組)..... Level feed connecting rod (complete) ..     | 1                 | 1   |     | 1        | 1 |    |     |
|          | MN 69E0 290        | 水平送りカムロッド | (組)..... Level feed connecting rod (complete) ..     |                   |     | 1   |          |   |    | 1   |
| 360      | M9 1109 002        | 平ネジ       | 11/64(40)×7..... Screw 11/64(40)×7.....              | 3                 | 3   | 3   | 3        | 3 | 3  | 3   |
| 361      | M9 1685 015        | 平ネジ       | 1/4(24)×13..... Screw 1/4(24)×13.....                | 2                 | 2   | 2   | 2        | 2 | 2  | 2   |
| 362      |                    | 座金        | ..... Washer.....                                    | 1                 | 1   | 1   | 1        | 1 | 1  | 1   |
| 363      |                    | 送り口       | ..... Feed connecting rod.....                       | 1                 | 1   | 1   | 1        | 1 | 1  | 1   |
| 364      |                    | 軸受        | ..... Needle bearing.....                            | 1                 | 1   | 1   | 1        | 1 | 1  | 1   |
| 365      |                    | 水平送りカム    | ..... Level feed connecting cam.....                 | 1                 | 1   |     | 1        | 1 |    |     |
|          |                    | 水平送りカム    | ..... Level feed connecting cam.....                 |                   |     | 1   |          |   |    | 1   |
| 366      | MN 70E0 956        | 運接桿       | (組)..... Link (complete).....                        | 1                 | 1   | 1   | 1        | 1 | 1  | 1   |
| 367      | M9 1601 045        | 止メネジ      | 1/4(24)..... Nut 1/4(24).....                        | 2                 | 2   | 2   | 2        | 2 | 2  | 2   |
| 368      | M9 1513 001        | 止メネジ      | 15/64(28)×10..... Screw 15/64(28)×10.....            | 1                 | 1   | 1   | 1        | 1 | 1  | 1   |
| 369      | M9 1516 001        | 止メネジ      | 15/64(28)×14..... Screw 15/64(28)×14.....            | 3                 | 3   | 3   | 3        | 3 | 3  | 3   |
| 370      | M9 1506 002        | 平ネジ       | 15/64(28)×14..... Screw 15/64(28)×14.....            | 1                 | 1   | 1   | 1        | 1 | 1  | 1   |
| 371      | MN 70A0 273        | 送り腕       | (中)..... Connecting rod crank (middle).....          | 1                 | 1   | 1   | 1        | 1 | 1  | 1   |
| 372      | M9 1606 001        | 止メネジ      | 1/4(40)×6..... Screw 1/4(40)×6.....                  | 2                 | 2   | 2   | 2        | 2 | 2  | 2   |
| 373      | MN 70A1 750        | ブッシュ      | ..... Bushing.....                                   | 1                 | 1   | 1   | 1        | 1 | 1  | 1   |
| 374      | MN 70A2 456        | 軸受        | ..... Ball bearing.....                              | 1                 | 1   | 1   | 1        | 1 | 1  | 1   |
| 375      | MN 70A0 771        | 軸押丸       | ..... Bearing holder.....                            | 1                 | 1   | 1   | 1        | 1 | 1  | 1   |
| 376      | M9 0902 011        | 皿ネジ       | 9/64(40)×7..... Screw 9/64(40)×7.....                | 3                 | 3   | 3   | 3        | 3 | 3  | 3   |
| 380      | MN 70A0 281        | 送り台       | ..... Feed bar.....                                  | 1                 | 1   | 1   |          |   |    |     |
|          | MN 72A0 281        | 送り台       | ..... Feed bar.....                                  |                   |     |     | 1        | 1 | 1  | 1   |
| 381      | M9 1102 002        | 平ネジ       | 11/64(40)×8.5..... Screw 11/64(40)×8.5.....          | 1                 | 1   | 1   | 1        | 1 | 1  | 1   |
| 382      | MN 70E0 148        | 下ヒモ       | φ2.5×150..... Oil wick φ2.5×150.....                 | 1                 | 1   | 1   | 1        | 1 | 1  | 1   |
| 383      | MN 40A0 283        | 送り軸       | ..... Feed bar shaft.....                            | 1                 | 1   | 1   | 1        | 1 | 1  | 1   |
| 386      | M9 2001 045        | 平ネジ       | 5/16(24)..... Nut 5/16(24).....                      | 1                 | 1   | 1   | 1        | 1 | 1  | 1   |
| 387      | M9 2001 015        | 平ネジ       | 5/16(24)×6..... Screw 5/16(24)×6.....                | 1                 | 1   | 1   | 1        | 1 | 1  | 1   |
| 388      | MF 10E2 148        | 下ヒモ       | φ2.5×85..... Oil wick φ2.5×85.....                   | 1                 | 1   | 1   | 1        | 1 | 1  | 1   |
| 389      | MN 40A0 279        | 水平送り腕     | (右)..... Feed rock shaft crank (right).....          | 1                 | 1   | 1   | 1        | 1 | 1  | 1   |
| 390      | M9 1603 003        | 丸平ネジ      | 1/4(24)×16..... Screw 1/4(24)×16.....                | 1                 | 1   | 1   | 1        | 1 | 1  | 1   |
| 391      | MN 70A0 287        | 送り軸メタル    | (右)..... Feed rock shaft bushing (right) ..          | 1                 | 1   | 1   | 1        | 1 | 1  | 1   |
| 393      | MF 70A0 352        | 力ラ        | (組)..... Collar (complete).....                      | 2                 | 2   | 2   | 2        | 2 | 2  | 2   |
| 394      | M9 1602 001        | 止メネジ      | 1/4(40)×4..... Screw 1/4(40)×4.....                  | 4                 | 4   | 4   | 4        | 4 | 4  | 4   |
| 395      | MN 40A0 491        | 水平送り軸     | ..... Feed rock shaft.....                           | 1                 | 1   | 1   | 1        | 1 | 1  | 1   |
| 396      | MP 40A2 740        | フェルト      | ..... Felt.....                                      | 2                 | 2   | 2   | 2        | 2 | 2  | 2   |
| 397      | MF 70A0 286        | 送り軸メタル    | (左)..... Feed rock shaft bushing (left) ..           | 1                 | 1   | 1   | 1        | 1 | 1  | 1   |
| 398      | M9 1204 003        | 丸平ネジ      | 3/16(28)×12..... Screw 3/16(28)×12.....              | 2                 | 2   | 2   | 2        | 2 | 2  | 2   |
| 399      | MN 40A0 278        | 水平送り腕     | (左)..... Feed rock shaft crank (left).....           | 1                 | 1   | 1   |          |   |    |     |
|          | MN 50A0 278        | 水平送り腕     | (左)..... Feed rock shaft crank (left).....           |                   |     |     | 1        | 1 | 1  | 1   |
| 400      | MN 70E0 148        | ヒモ        | φ2.5×430..... Oil wick φ2.5×430.....                 | 1                 | 1   | 1   | 1        | 1 | 1  | 1   |
| 401      | MF 80A0 780        | ホルダ       | ..... Holder.....                                    | 1                 | 1   | 1   | 1        | 1 | 1  | 1   |
| 402      | M9 1511 022        | ボルト       | 15/64(28)×13.5..... Bolt 15/64(28)×13.5.....         | 1                 | 1   | 1   | 1        | 1 | 1  | 1   |
| 403      | M9 0607 050        | 座金        | 6..... Washer 6.....                                 | 1                 | 1   | 1   | 1        | 1 | 1  | 1   |
| 404      | M9 0851 001        | 止メネジ      | 1/8(40)×15..... Screw 1/8(40)×15.....                | 1                 | 1   | 1   | 1        | 1 | 1  | 1   |
| 405      | M9 0801 045        | 止メネジ      | 1/8(40)..... Nut 1/8(40).....                        | 1                 | 1   | 1   | 1        | 1 | 1  | 1   |
| 406      | MN 70A0 744        | 二又        | ..... Feed bar connecting fork ..                    | 1                 | 1   |     | 1        | 1 |    |     |
|          | MN 69A0 744        | 二又        | ..... Feed bar connecting fork ..                    |                   |     | 1   |          |   |    | 1   |
| 407      | MN 70A1 740        | フェルト      | ..... Felt.....                                      | 1                 | 1   | 1   | 1        | 1 | 1  | 1   |
| 408      | M9 0804 003        | 丸平ネジ      | 1/8(44)×4..... Screw 1/8(44)×4.....                  | 1                 | 1   | 1   | 1        | 1 | 1  | 1   |
| 409      | M9 0803 020        | 六角穴付ボルト   | 1/8(40)×7..... Bolt 1/8(40)×7.....                   | 2                 | 2   | 2   | 2        | 2 | 2  | 2   |

# ⑧ カマ台機構 HOOK SADDLE MECHANISM

LT2-2220



LT2-2230

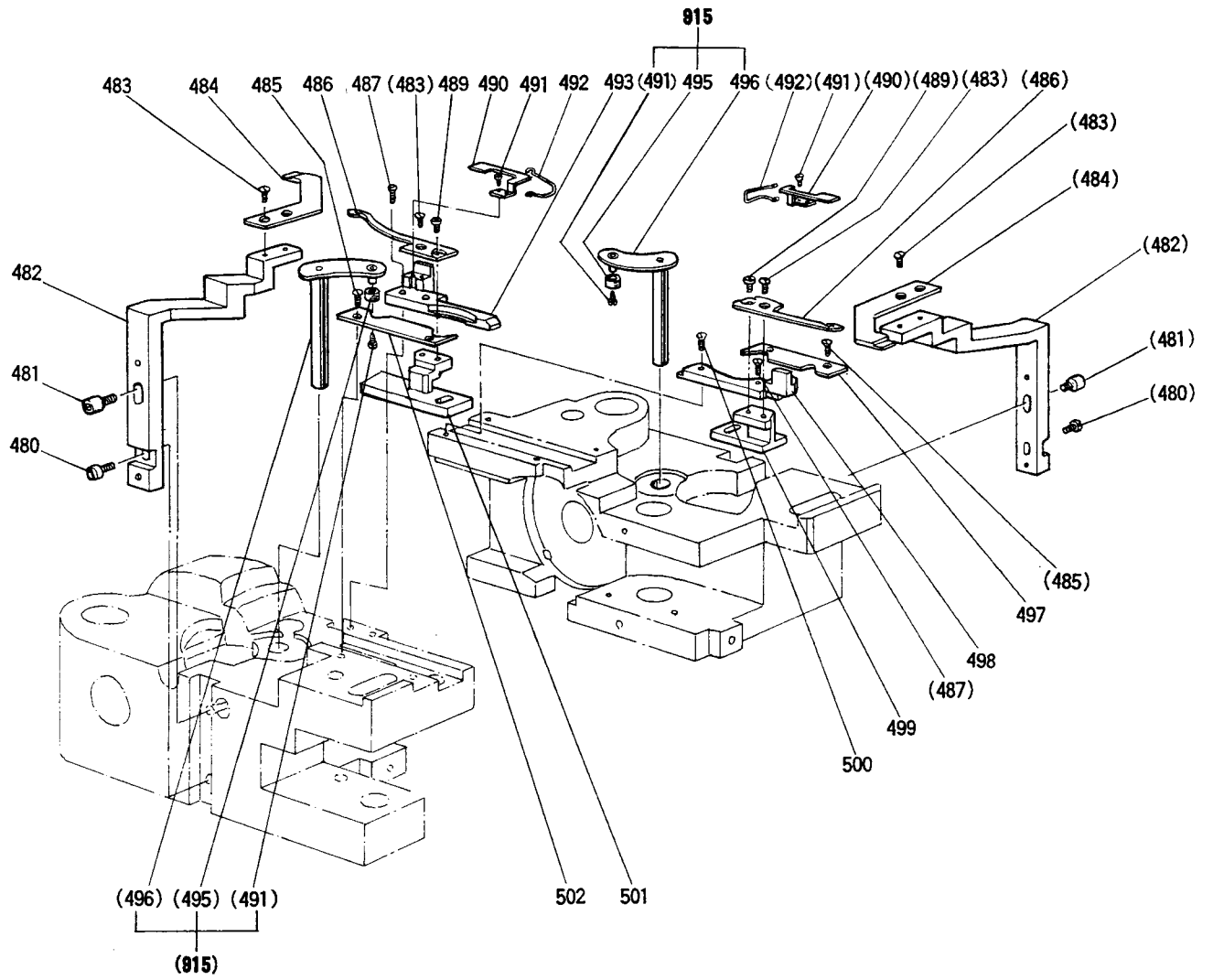




# 8 カマ台機構 HOOK SADDLE MECHANISM

| Fig. No. | 部品コード<br>Part No. | 部 品 名           | Description                        | 使用個数<br>Amt. Req. |     |     |          |      |     |
|----------|-------------------|-----------------|------------------------------------|-------------------|-----|-----|----------|------|-----|
|          |                   |                 |                                    | LT2-2220          |     |     | LT2-2230 |      |     |
|          |                   |                 |                                    | LOB               | MOB | BOB | LIT      | MITW | BIT |
| 430      | MN 70A0 345       | カ マ 台 (右)       | Hook saddle (right)                | 1                 | 1   |     |          |      |     |
|          | MN 69A0 345       | カ マ 台 (右)       | Hook saddle (right)                |                   |     | 1   |          |      |     |
|          | MN 72A0 345       | カ マ 台 (右)       | Hook saddle (right)                |                   |     |     | 1        | 1    |     |
|          | MN 74A0 345       | カ マ 台 (右)       | Hook saddle (right)                |                   |     |     |          |      | 1   |
| 431      | MN 70A0 342       | カ マ 軸 メ タ ル (上) | Hook shaft bushing (upper)         | 2                 | 2   |     | 2        | 2    |     |
|          | MN 69A0 342       | カ マ 軸 メ タ ル (上) | Hook shaft bushing (upper)         |                   |     | 2   |          |      | 2   |
| 432      | MN 70A3 456       | ジ ク ウ ケ         | Needle bearing                     | 2                 | 2   |     | 2        | 2    |     |
| 433      | MN 70A0 476       | ス ベ ー サ         | Spacer                             | 2                 | 2   |     | 2        | 2    |     |
|          | MN 69A0 476       | ス ベ ー サ         | Spacer                             |                   |     | 2   |          |      | 2   |
| 434      | M9 1509 002       | 平 ネ ジ           | Screw 15/64(28)×22                 | 2                 | 2   | 2   | 2        | 2    | 2   |
| 435      | MN 70A2 750       | ブ ツ シ ユ         | Bushing (complete)                 | 2                 | 2   | 2   | 2        | 2    | 2   |
| 436      | MN 10A0 120       | カ カ マ (組)       | Hook complete                      | 2                 | 2   |     |          |      |     |
|          | MN 12E0 120       | カ カ マ (組)       | Hook complete                      |                   |     | 2   |          |      |     |
|          | MN 72E0 120       | カ カ マ (組)       | Hook complete                      |                   |     |     | 2        | 2    |     |
|          | MN 74E0 120       | カ カ マ (組)       | Hook complete                      |                   |     |     |          |      | 2   |
| 437      | MN 40A0 123       | ボ ビ ビ ン         | Bobbin                             | 2                 | 2   |     |          |      |     |
|          | MN 10E0 123       | ボ ビ ビ ン         | Bobbin                             |                   |     | 2   |          |      |     |
|          | MN 72A0 123       | ボ ビ ビ ン         | Bobbin                             |                   |     |     | 2        | 2    |     |
|          | MN 74A0 123       | ボ ビ ビ ン         | Bobbin                             |                   |     |     |          |      | 2   |
| 438      | MN 50A2 245       | エ ン ス イ バ ネ     | Spring                             |                   |     |     | 2        | 2    |     |
|          | MN 52A2 245       | エ ン ス イ バ ネ     | Spring                             |                   |     |     |          |      | 2   |
| 439      | MF 10E0 148       | ヒ               | Oil wick φ2.5×15                   | 2                 | 2   | 2   | 2        | 2    | 2   |
| 440      | MN 10A0 302       | オ ー プ ナ 支 エ 軸   | Bobbin case opener holder pin      | 2                 | 2   | 2   | 2        | 2    | 2   |
| 913      | MN 40E0 301       | オ ー プ ナ 支 エ 組   | Bobbin case opener holder complete | 2                 | 2   |     | 2        | 2    |     |
|          | MN 10E0 301       | オ ー プ ナ 支 エ 組   | Bobbin case opener holder complete |                   |     | 2   |          |      | 2   |
| 441      | M9 1254 030       | 特 殊 ネ ジ         | Screw 3/16(32)×7.8                 | 2                 | 2   | 2   | 2        | 2    | 2   |
| 442      | MN 10A0 340       | 連 接 棒           | Link                               | 2                 | 2   |     | 2        | 2    |     |
|          | MP 40A0 340       | 連 接 棒           | Link                               |                   |     | 2   |          |      | 2   |
| 443      | MN 10A0 301       | オ ー プ ナ 支 エ     | Bobbin case opener holder          | 2                 | 2   |     | 2        | 2    |     |
|          | MN 52A0 301       | オ ー プ ナ 支 エ     | Bobbin case opener holder          |                   |     | 2   |          |      | 2   |
| 444      | M9 0501 053       | パ ネ 座 金         | Spring washer 5                    | 2                 | 2   | 2   | 2        | 2    | 2   |
| 445      | M9 1252 045       | ナ ツ             | Nut 3/16(32)                       | 2                 | 2   | 2   | 2        | 2    | 2   |
| 446      | M9 0910 003       | 丸 平 ネ ジ         | Screw 9/64(40)×7                   | 2                 | 2   | 2   | 2        | 2    | 2   |
| 447      | M9 0401 050       | 座 ー プ ナ         | Washer                             | 2                 | 2   | 2   | 2        | 2    | 2   |
| 448      | MN 50A0 300       | オ ー プ ナ         | Opener                             | 2                 | 2   |     | 2        | 2    |     |
|          | MN 52A0 300       | オ ー プ ナ         | Opener                             |                   |     | 2   |          |      | 2   |
| 449      | M9 1201 020       | 六角穴付止メネジ        | Screw 3/16(28)×14.5                | 2                 | 2   | 2   | 2        | 2    | 2   |
| 914      | MN 70E0 644       | ネ ジ 齒 車 (組)     | Gear (complete)                    | 2                 | 2   | 2   | 2        | 2    | 2   |
| 450      |                   | ネ ジ 齒 車 (小)     | Gear (small)                       | 2                 | 2   | 2   | 2        | 2    | 2   |
| 451      |                   | ネ ジ 齒 車 (大)     | Gear (large)                       | 2                 | 2   | 2   | 2        | 2    | 2   |
| 452      | M9 1602 001       | 止 メ ネ ジ         | Screw 1/4(40)×4                    | 6                 | 6   | 6   | 6        | 6    | 6   |
| 453      | MN 70A0 343       | カ マ 軸 メ タ ル (下) | Hook shaft bushing(lower)          | 2                 | 2   | 2   | 2        | 2    | 2   |
| 454      | M9 0701 050       | 力 座             | Washer                             | 2                 | 2   | 2   | 2        | 2    | 2   |
| 455      | M9 1652 002       | 平 ネ ジ           | Screw 1/4(24)×23                   | 2                 | 2   | 2   | 2        | 2    | 2   |
| 456      | M9 1206 030       | 特 殊 ネ ジ         | Screw 3/16(28)×26                  | 2                 | 2   | 2   | 2        | 2    | 2   |
| 457      | M9 1206 045       | ツ マ ミ ナ ッ ト     | Nut 3/16(28)                       | 2                 | 2   | 2   | 2        | 2    | 2   |
| 458      | M9 3005 050       | バ ネ 座 金         | Spring washer                      | 2                 | 2   | 2   | 2        | 2    | 2   |
| 459      | M9 1503 001       | 止 メ ネ ジ         | Screw 15/64(28)×4.5                | 4                 | 4   | 4   | 4        | 4    | 4   |
| 460      | M9 1606 001       | 止 メ ネ ジ         | Screw 1/4(40)×6                    | 2                 | 2   | 2   | 2        | 2    | 2   |
| 461      | M9 1655 001       | 止 メ ネ ジ         | Screw 1/4(40)×6.5                  | 2                 | 2   | 2   | 2        | 2    | 2   |
| 462      | MN 70A0 344       | カ マ 台 (左)       | Hook saddle (left)                 | 1                 | 1   |     |          |      |     |
|          | MN 69A0 344       | カ マ 台 (左)       | Hook saddle (left)                 |                   |     | 1   |          |      |     |
|          | MN 72A0 344       | カ マ 台 (左)       | Hook saddle (left)                 |                   |     |     | 1        | 1    |     |
|          | MN 74A0 344       | カ マ 台 (左)       | Hook saddle (left)                 |                   |     |     |          |      | 1   |

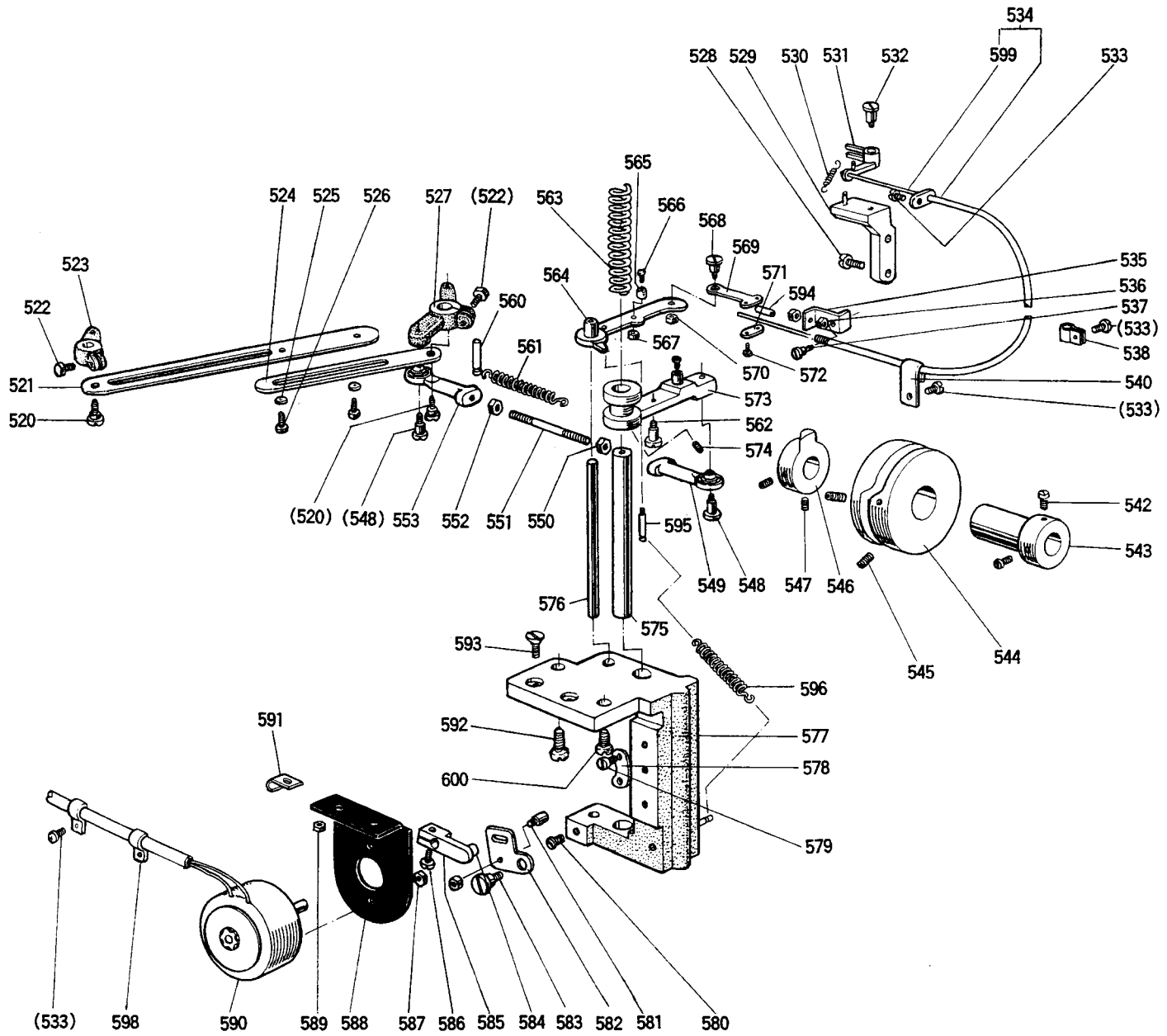
9 糸切り機構 (I)  
KNIFE MECHANISM (I)



⑨ 糸切り機構 (I)  
KNIFE MECANISM (I)

| Fig. No. | 部品コード<br>Part No. | 部 品 名   | Description                 | 使用個数<br>Amt. Req. |     |     |          |      |     |
|----------|-------------------|---------|-----------------------------|-------------------|-----|-----|----------|------|-----|
|          |                   |         |                             | LT2-2220          |     |     | LT2-2230 |      |     |
|          |                   |         |                             | LOB               | MOB | BOB | LIT      | MITM | BIT |
| 480      | M9 0911 030       | 特殊ネジ    | $9/64(40) \times 7$ .....   |                   |     |     | 2        | 2    | 2   |
| 481      | M9 1106 022       | 六角穴付ボルト | .....                       |                   |     |     | 2        | 2    | 2   |
| 482      | MN 50A0 839       | メス取付台   | .....                       |                   |     |     | 2        | 2    | 2   |
| 483      | M9 1102 010       | 皿ネジ     | $9/64(40) \times 5$ .....   |                   |     |     | 6        | 6    | 6   |
| 484      | MP 41A0 838       | 皿固定メス   | .....                       |                   |     |     | 2        | 2    | 2   |
| 485      | M9 0916 011       | 皿ネジ     | $9/64(40) \times 4$ .....   |                   |     |     | 4        | 4    | 4   |
| 486      | MP 41B0 838       | 移動メス    | .....                       |                   |     |     | 2        | 2    | 2   |
| 487      | M9 0801 010       | 皿ネジ     | $1/8(40) \times 9.2$ .....  |                   |     |     | 2        | 2    | 2   |
| 489      | M9 0944 002       | 皿ネジ     | $9/64(40) \times 4.5$ ..... |                   |     |     | 2        | 2    | 2   |
| 490      | MN 50A0 192       | 板バネ     | .....                       |                   |     |     | 2        | 2    | 2   |
| 491      | M9 0605 002       | 皿ネジ     | $3/32(56) \times 3.8$ ..... |                   |     |     | 6        | 6    | 6   |
| 492      | MN 50A0 507       | センサクバネ  | .....                       |                   |     |     | 2        | 2    | 2   |
| 493      | MN 60A1 154       | 案内金     | (左).....                    |                   |     |     | 1        | 1    |     |
|          | MN 60E1 154       | 案内金     | (左).....                    |                   |     |     |          |      | 1   |
| 915      | MN 60A0 950       | レバークミタ  | .....                       |                   |     |     | 2        | 2    | 2   |
| 495      | MN 60A0 411       | コロ      | .....                       |                   |     |     | 2        | 2    | 2   |
| 496      |                   | レバ      | .....                       |                   |     |     | 2        | 2    | 2   |
| 497      | MN 60A2 742       | 蓋       | (右).....                    |                   |     |     | 1        | 1    | 1   |
| 498      | MN 60A2 154       | 案内金     | (右).....                    |                   |     |     | 1        | 1    |     |
|          | MN 60E0 154       | 案内金     | (右).....                    |                   |     |     |          |      | 1   |
| 499      | MN 60A0 837       | メス台     | (右).....                    |                   |     |     | 1        | 1    | 1   |
| 500      | M9 0906 010       | 皿ネジ     | $9/64(40) \times 9.5$ ..... |                   |     |     | 1        | 1    | 1   |
| 501      | MN 60A0 836       | メス台     | (左).....                    |                   |     |     | 1        | 1    | 1   |
| 502      | MN 60A1 742       | 蓋       | (左).....                    |                   |     |     | 1        | 1    | 1   |

Ⅰ 糸切り機構 Ⅱ  
 KNIFE MECHANISM Ⅱ

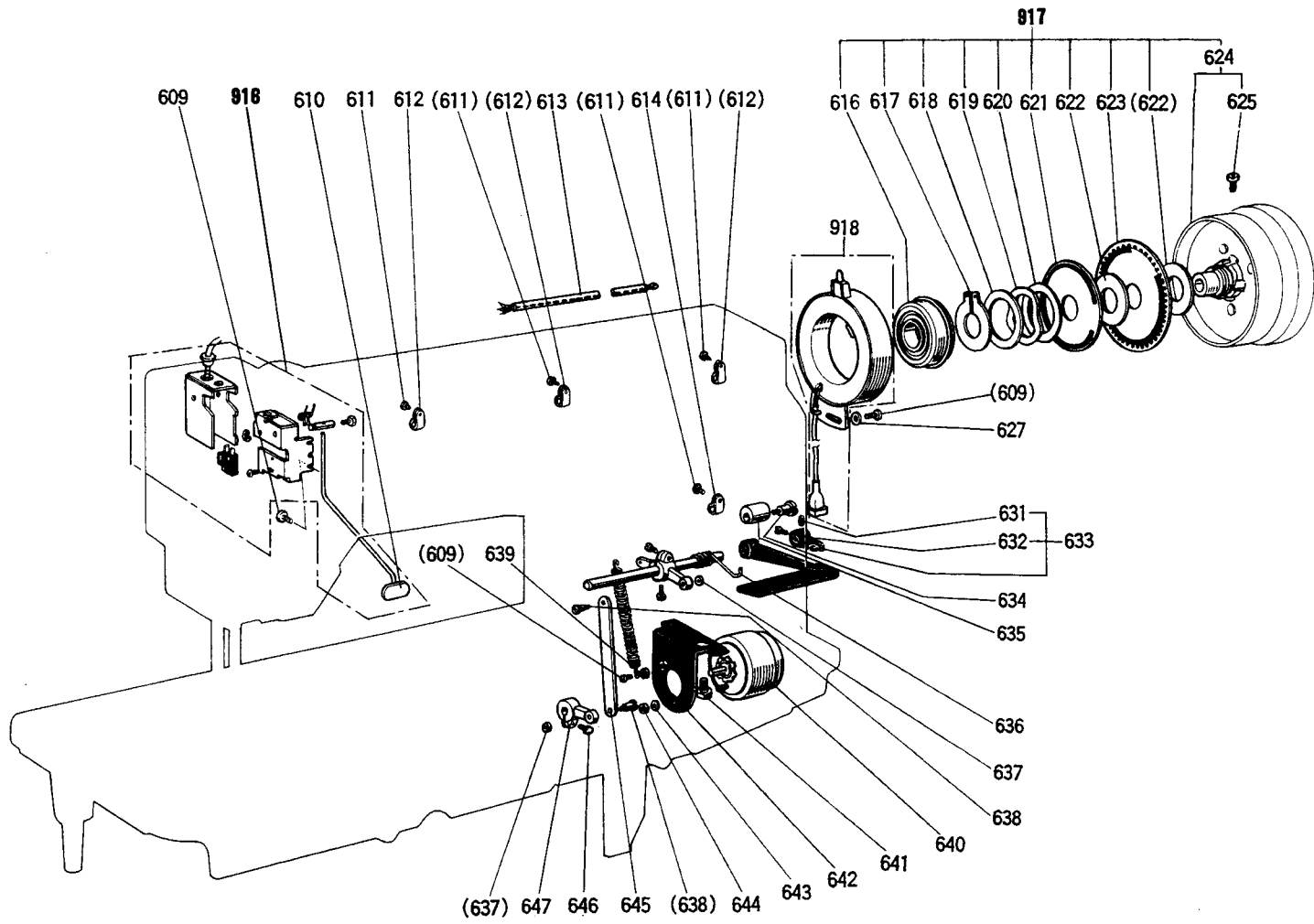


# 10 糸切り機構 (II)

## KNIFE MECHANISM (II)

| Fig. No. | 部品コード Part. No. | 部 品 名       | Description | 使用個数 Amt. Req.         |                                 |     |          |     |     |   |
|----------|-----------------|-------------|-------------|------------------------|---------------------------------|-----|----------|-----|-----|---|
|          |                 |             |             | LT2-2220               |                                 |     | LT2-2230 |     |     |   |
|          |                 |             |             | LOB                    | MOB                             | BOB | L        | MTW | BIT |   |
| 520      | M9 1134 015     | 平 ネ ジ 段 付   | M5(0.5)×7.5 | Screw M5(0.5)×7.5      |                                 |     |          | 2   | 2   | 2 |
| 521      | MP 43A0 910     | リ ン ル       |             | Link                   |                                 |     |          | 1   | 1   | 1 |
| 522      | M9 1508 022     | ボ           |             | Bolt                   |                                 |     |          | 2   | 2   | 2 |
| 523      | MN 60A3 228     | 腕           |             | Arm                    |                                 |     |          | 1   | 1   | 1 |
| 524      | MN 50A0 910     | リ ン         | ク           | Connecting plate       |                                 |     |          | 1   | 1   | 1 |
| 525      | M9 0550 050     | リ 座         | 金           | Washer 4.5             |                                 |     |          | 2   | 2   | 2 |
| 526      | M9 1201 022     | ボ           | ト           | Bolt                   |                                 |     |          | 2   | 2   | 2 |
| 527      | MN 60A1 228     | 腕           |             | Arm                    |                                 |     |          | 1   | 1   |   |
|          | MN 60A2 228     | 腕           |             | Arm                    |                                 |     |          |     |     | 1 |
| 528      | M9 1110 002     | 平 ネ         | ジ           | $11/64(40) \times 8$   | Screw $11/64(40) \times 8$      |     |          | 2   | 2   | 2 |
| 529      | MN 60A0 172     | 系 ユ ル       | メ 台         |                        | Thread releasing bracket        |     |          | 1   | 1   | 1 |
| 530      | MN 60A3 572     | ツ ル マ キ     | バ ネ         |                        | Spring                          |     |          | 1   | 1   | 1 |
| 531      | MN 60A0 173     | 系 ユ ル       | メ           |                        | Thread releasing                |     |          | 1   | 1   | 1 |
| 532      | M9 1112 015     | 平 ネ         | ジ 段 付       | $11/64(40) \times 5$   | Screw $11/64(40) \times 5$      |     |          | 1   | 1   | 1 |
| 533      | M9 1106 004     | プ ラ マ イ     | ネ           | $11/64(40) \times 8$   | Screw $11/64(40) \times 8$      |     |          | 4   | 4   | 4 |
| 534      | MN 60E0 746     | フ レ キ シ ブ ル | ワイヤ         | (組)                    | Flexible wire complete          |     |          | 1   | 1   | 1 |
| 535      | MN 72A0 601     | ト リ ツ ケ     | イ タ         |                        | Mounting plate                  |     |          | 1   | 1   | 1 |
| 536      | M9 1373 045     | ナ           | ツ           | M5                     | Nut 5                           |     |          | 2   | 2   | 2 |
| 537      | M9 1251 015     | 平 ネ         | ジ 段 付       | $3/16(32) \times 3.5$  | Screw $3/16(32) \times 3.5$     |     |          | 1   | 1   | 1 |
| 538      | MN 60A0 620     | ナイ ロ ン      | クリ ッ プ      | HP-5N                  | Nylon clip HP-5N                |     |          | 1   | 1   | 1 |
| 540      | MN 50A0 780     | ホ ル         | ダ           |                        | Holder                          |     |          | 1   | 1   | 1 |
| 542      | M9 1516 002     | 平 ネ         | ジ           | $15/64(28) \times 8.5$ | Screw $15/64(28) \times 8.5$    |     |          | 2   | 2   | 2 |
| 543      | MN 72A0 750     | ブ ッ シ ユ     |             |                        | Bushing                         |     |          | 1   | 1   | 1 |
| 544      | MN 50A0 350     | カ           |             |                        | Cam                             |     |          | 1   | 1   | 1 |
| 545      | M9 1602 020     | 六 角 穴 付 止   | メ ネ ジ ム     | $1/4(40) \times 9.5$   | Screw $1/4(40) \times 9.5$      |     |          | 2   | 2   | 2 |
| 546      | MN 72A0 350     | カ           |             |                        | Cam                             |     |          | 1   | 1   | 1 |
| 547      | M9 1055 020     | 六 角 穴 付 止   | メ ネ ジ       | M4×4                   | Screw M4×4                      |     |          | 2   | 2   | 2 |
| 548      | M9 1263 015     | 平 ネ         | ジ 段 付       | M5×8.5                 | Screw M5×8.5                    |     |          | 2   | 2   | 2 |
| 549      | MN 55A0 975     | ロ ッ ド       | エ ン ド       | (右)                    | Ball joint                      |     |          | 1   | 1   | 1 |
| 550      | M9 1377 045     | ナ           | ツ           | M5                     | Nut M5                          |     |          | 1   | 1   | 1 |
| 551      | M9 5004 023     | 植 込         | ミ ボ ル ト     |                        | Bolt                            |     |          | 1   | 1   | 1 |
| 552      | M9 1374 045     | ナ           | ツ           | 左M5                    | Nut M5 (left)                   |     |          | 1   | 1   | 1 |
| 553      | MN 72A0 975     | ロ ッ ド       | エ ン ド       | (左)                    | Ball joint                      |     |          | 1   | 1   | 1 |
| 560      | M9 5003 067     | 溝 付         | ビ           | BXガタ 5×14              | Pin BX-5×14                     |     |          | 1   | 1   | 1 |
| 561      | MN 50A0 572     | ツ ル 巻       | バ ネ         |                        | Spring                          |     |          | 1   | 1   | 1 |
| 562      | M9 1111 015     | 平 ネ         | ジ 段 付       | $11/64(40) \times 5.5$ | Screw $11/64(40) \times 5.5$    |     |          | 1   | 1   | 1 |
| 563      | MN 60A5 572     | ツ ル 巻       | バ ネ         |                        | Spring                          |     |          | 1   | 1   | 1 |
| 564      | MN 60E0 950     | 系 ユ ル       | メ レ バ       | 組立                     | Thread releasing lever complete |     |          | 1   | 1   | 1 |
| 565      | MN 50A0 411     | コ           |             |                        | Roller                          |     |          | 1   | 1   | 1 |
| 566      | M9 1131 015     | 平 ネ         | ジ 段 付       | $11/64(40) \times 3.6$ | Screw $11/64(40) \times 3.6$    |     |          | 1   | 1   | 1 |
| 567      | M9 1107 045     | 平 ナ         | ツ           | $11/64(40)$            | Nut $11/64(40)$                 |     |          | 1   | 1   | 1 |
| 568      | M9 1231 015     | 平 ネ         | ジ 段 付       | $3/16(28) \times 5$    | Screw $3/16(28) \times 5$       |     |          | 1   | 1   | 1 |
| 569      | MN 72A1 601     | 取           | 付 板         |                        | Mounting plate                  |     |          | 1   | 1   | 1 |
| 570      | M9 1201 045     | ナ           | ツ           | $3/16(28)$             | Nut $3/16(28)$                  |     |          | 1   | 1   | 1 |
| 571      | MF 36A0 750     | ブ ッ シ ユ     |             | (後)                    | Bushing                         |     |          | 1   | 1   | 1 |
| 572      | M9 0802 002     | 平 ネ         | ジ           | $1/8(44) \times 7$     | Screw $1/8(44) \times 7$        |     |          | 2   | 2   | 2 |
| 573      | MN 60A0 886     | 揺 動         | 腕           | (組)                    | Vibrating crank complete        |     |          | 1   | 1   | 1 |
| 574      | M9 1001 020     | 六 角 穴 付 止   | メ ネ ジ       | $11/64(40) \times 5$   | Screw $11/64(40) \times 5$      |     |          | 2   | 2   | 2 |
| 575      | MN 50A3 454     |             | 軸           |                        | Shaft                           |     |          | 1   | 1   | 1 |
| 576      | MN 60A0 454     |             | 軸           |                        | Shaft                           |     |          | 1   | 1   | 1 |
| 577      | MN 60A0 603     | 取           | 付 台         |                        | Mounting base                   |     |          | 1   | 1   | 1 |
| 578      | MN 50A0 477     | ス ト ッ       | パ           |                        | Stopper                         |     |          | 1   | 1   | 1 |
| 579      | M9 1109 002     | 平 ネ         | ジ           | $11/64(40) \times 7$   | Screw $11/64(40) \times 7$      |     |          | 2   | 2   | 2 |
| 580      | M9 1102 002     | 平 ネ         | ジ           | $11/64(40) \times 8.5$ | Screw $11/64(40) \times 8.5$    |     |          | 1   | 1   | 1 |
| 581      | M9 1111 033     | 平 ビ         | ン           | $11/64(40) \times 5$   | Pin screw $11/64(40) \times 5$  |     |          | 1   | 1   | 1 |
| 582      | MN 50A3 950     | レ           | バ           |                        | Lever                           |     |          | 1   | 1   | 1 |
| 583      | M9 1103 016     | 丸 平         | ネ ジ 段 付     | $11/64(40) \times 3.5$ | Screw $11/64(40) \times 3.5$    |     |          | 1   | 1   | 1 |
| 584      | M9 0615 063     | 段 付         | ビ           |                        | Pin                             |     |          | 1   | 1   | 1 |
| 585      | MN 50A4 228     |             | 腕           |                        | Arm                             |     |          | 1   | 1   | 1 |
| 586      | M9 1112 002     | 平 ネ         | ジ           | $11/64(40) \times 12$  | Screw $11/64(40) \times 12$     |     |          | 1   | 1   | 1 |
| 587      | M9 1105 045     | 平 ナ         | ツ           | $11/64(40)$            | Nut $11/64(40)$                 |     |          | 1   | 1   | 1 |
| 588      | MN 50A3 601     | 取           | 付 板         |                        | Set plate                       |     |          | 1   | 1   | 1 |
| 589      | M9 1373 045     | 取           | 付           | M5                     | Nut 5                           |     |          | 2   | 2   | 2 |
| 590      | M9 1002 095     | ソ レ ノ       | イ           | (組立)                   | Solenoid complete               |     |          | 1   | 1   | 1 |
| 591      | MN 50A0 780     | ホ ル         | ダ           |                        | Holder                          |     |          | 1   | 1   | 1 |
| 592      | M9 1603 003     | 丸 平         | ネ ジ         | $1/4(24) \times 16$    | Screw $1/4(24) \times 16$       |     |          | 1   | 1   | 1 |
| 593      | M9 5001 037     | P サ         | ラ           | M5×16                  | Screw M5×16                     |     |          | 2   | 2   | 2 |
| 594      | MN 72A1 750     | ブ ッ シ ユ     |             |                        | Bushing                         |     |          | 1   | 1   | 1 |
| 595      | M9 1111 030     | 特 殊         | ネ ジ         | $11/64(40) \times 4$   | Screw $11/64(40) \times 4$      |     |          | 1   | 1   | 1 |
| 596      | MN 50A3 572     | ツ ル 巻       | バ           |                        | Spring                          |     |          | 1   | 1   | 1 |
| 598      | MF 10A0 689     | ホ ル         | ダ           |                        | Holder                          |     |          | 2   | 2   | 2 |
| 599      | MN 72A0 746     | フ レ キ シ ブ ル | ワイヤ         |                        | Flexible wire                   |     |          | 1   | 1   | 1 |
| 600      | M9 1602 003     | 丸 平         | ネ ジ         | $1/4(24) \times 13$    | Screw $1/4(24) \times 13$       |     |          | 1   | 1   | 1 |

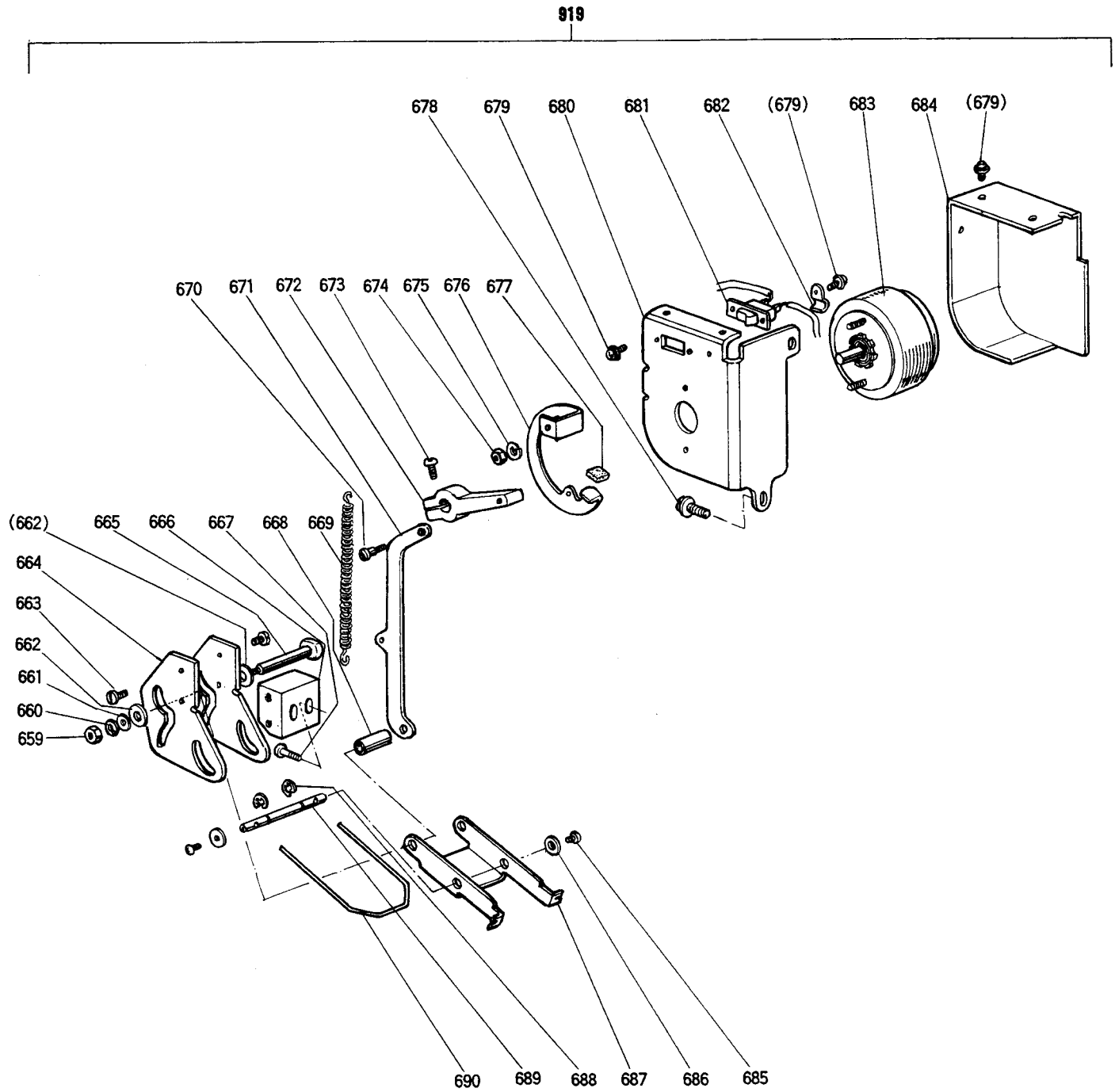
① タッチバックおよび検出器機構  
 TOUCH BACK, COMPENSATION STITCHING &  
 DETECTOR MECHANISM



① タッチバックおよび検出器機構  
TOUCH BACK, COMPENSATION STITCHING &  
DETECTOR MECHANISM

| Fig. No. | 部品コード<br>Part. No. | 部 品 名      | Description  | 使用個数<br>Amt. Req. |     |     |          |     |     |
|----------|--------------------|------------|--|-------------------|-----|-----|----------|-----|-----|
|          |                    |            |  | LT2-2220          |     |     | LT2-2230 |     |     |
|          |                    |            |  | LOB               | MOB | BOB | LT       | MTW | BIT |
| 609      | M9 1106 004        | ブラマイネジ     | $11/64(40) \times 8$ ..... Screw $11/64(40) \times 8$ .....      |                   |     |     | 5        | 5   | 5   |
| 918      | MN 72E0 534        | タッチスイッチ    | (組立)..... Touch switch (complete) .....                          |                   |     |     | 1        | 1   | 1   |
| 610      | MN 72E0 950        | レバ         | (組立)..... Lever (complete) .....                                 |                   |     |     | 1        | 1   | 1   |
| 611      | M9 1112 004        | ブラマイネジ     | $11/64(40) \times 11$ ..... Screw $11/64(40) \times 11$ .....    |                   |     |     | 4        | 4   | 4   |
| 612      | M9 4003 099        | コードホルダ     | ..... Cord holder.....   |                   |     |     | 3        |     | 3   |
|          | MN 60A0 620        | コードホルダ     | ..... Cord holder.....   |                   |     |     |          | 3   |     |
| 613      | M9 7003 095        | アース線       | (組立)..... Ground wire (complete) .....                           |                   |     |     | 1        | 1   | 1   |
| 614      | M9 4008 099        | コードホルダ     | ..... Cord holder.....   |                   |     |     | 1        | 1   | 1   |
| 917      | MN 72E0 682        | プーリ        | (組立)..... Pulley (complete) .....                                |                   |     |     | 1        | 1   | 1   |
| 616      | MN 70A0 456        | 軸受         | ..... Ball bearing.....  |                   |     |     | 1        | 1   | 1   |
| 617      | M9 0330 065        | C形止メ輪      | 30..... Retaining ring C-type 30 .....                           |                   |     |     | 1        | 1   | 1   |
| 618      | M9 3001 050        | 座金         | ..... Washer.....  |                   |     |     | 1        | 1   | 1   |
| 619      | MF 01A0 259        | 反射板押エスプリング | ..... Supporter spring.....                                      |                   |     |     | 1        | 1   | 1   |
| 620      | MF 01A1 476        | スペーサ       | B..... Spacer B .....  |                   |     |     | 1        | 1   | 1   |
| 621      | MN 72A1 694        | 反射板 F20    | (上)..... Speed command disc F20 (up).....                        |                   |     |     | 1        | 1   | 1   |
| 622      | MF 01A0 476        | スペーサ       | A..... Spacer A.....   |                   |     |     | 2        | 2   | 2   |
| 623      | MN 72A0 694        | 反射板 F10    | (下)..... Speed command disc F10 (down).....                      |                   |     |     | 1        | 1   | 1   |
| 624      | MN 72E1 682        | プーリ        | (組)..... Pulley (complete) .....                                 |                   |     |     | 1        | 1   | 1   |
| 625      | M9 1520 002        | 平ネジ        | $15/64(28) \times 12$ ..... Screw $15/64(28) \times 12$ .....    |                   |     |     | 2        | 2   | 2   |
| 627      | M9 3002 050        | 座金         | ..... Washer.....  |                   |     |     | 1        | 1   | 1   |
| 918      | MF 01E0 406        | 検出器        | (組立)..... Detector bracket (complete) .....                      |                   |     |     | 1        | 1   | 1   |
| 631      | M9 1506 001        | 止メネジ       | $15/64(28) \times 7$ ..... Screw $15/64(28) \times 7$ .....      |                   |     |     | 1        | 1   | 1   |
| 632      | M9 1519 002        | 平ネジ        | $15/64(28) \times 7.5$ ..... Screw $15/64(28) \times 7.5$ .....  |                   |     |     | 1        | 1   | 1   |
| 633      | MN 72A1 950        | レバ         | (組)..... Lever (complete) .....                                  |                   |     |     | 1        | 1   | 1   |
| 634      | M9 1516 015        | 平ネジ        | 段付 $15/64(28) \times 6$ ..... Screw $15/64(28) \times 6$ .....   |                   |     |     | 1        | 1   | 1   |
| 635      | MN 50A0 417        | ゴムワ        | $\phi 16$ ..... Rubber ring $\phi 16$ .....                      |                   |     |     | 1        | 1   | 1   |
| 636      | MN 50A0 729        | ヒナ         | バネ..... Spring .....   |                   |     |     | 1        | 1   | 1   |
| 637      | M9 1502 045        | ナット        | $15/64(28)$ ..... Nut $15/64(28)$ .....                          |                   |     |     | 2        | 2   | 2   |
| 638      | M9 1517 015        | 平ネジ        | 段付 $15/64(28) \times 14$ ..... Screw $15/64(28) \times 14$ ..... |                   |     |     | 2        | 2   | 2   |
| 639      | M9 1105 045        | ナット        | $11/64(40)$ ..... Nut $11/64(40)$ .....                          |                   |     |     | 1        | 1   | 1   |
| 640      | M9 1001 095        | ソレノイド      | (組立)..... Solenoid (complete) .....                              |                   |     |     | 1        | 1   | 1   |
| 641      | M9 8005 022        | ボルト        | M8×12..... Bolt M8×12.....                                       |                   |     |     | 1        | 1   | 1   |
| 642      | MN 50A2 601        | 取付板        | ..... Set plate.....   |                   |     |     | 1        | 1   | 1   |
| 643      | M9 0601 053        | バネ         | 座金 6..... Spring washer 6.....                                   |                   |     |     | 2        | 2   | 2   |
| 644      | M9 1571 045        | ナット        | M6..... Nut M6.....  |                   |     |     | 2        | 2   | 2   |
| 645      | MN 50A2 910        | リンク        | ..... Link.....  |                   |     |     | 1        | 1   | 1   |
| 646      | M9 1502 022        | ボルト        | $15/64(28) \times 13$ ..... Bolt $15/64(28) \times 13$ .....     |                   |     |     | 1        | 1   | 1   |
| 647      | MN 50A5 228        | 腕          | ..... Arm.....   |                   |     |     | 1        | 1   | 1   |

12 ワイパー機構  
WIPER MECHANISM

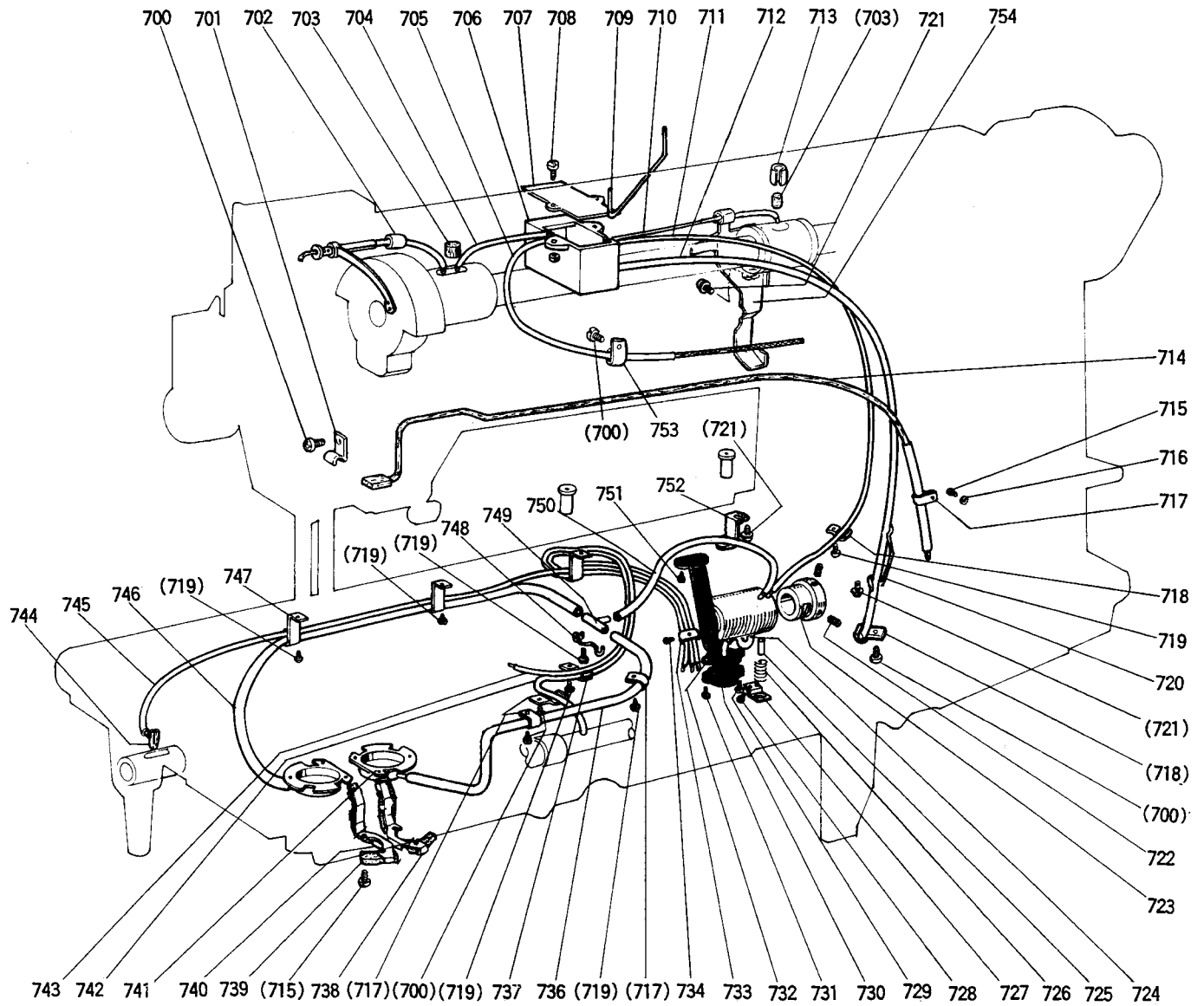




# 12 ワイパー機構 WIPER MECHANISM

| Fig. No. | 部品コード<br>Part No. | 部品名       | Description          | 使用個数<br>Amt. Req. |     |     |          |      |     |
|----------|-------------------|-----------|----------------------|-------------------|-----|-----|----------|------|-----|
|          |                   |           |                      | LT2-2220          |     |     | LT2-2230 |      |     |
|          |                   |           |                      | LOB               | MOB | BOB | LIT      | MITV | BIT |
| 918      | MN 72E0 984       | ワイパー機構部分  | Wiper mechanism      |                   |     |     |          |      | 1   |
| 659      | M9 0872 045       | ナット       | Nut M3               |                   |     |     |          |      | 1   |
| 660      | M9 0301 053       | バネ座金      | Spring washer 3      |                   |     |     |          |      | 1   |
| 661      | M9 0312 050       | 座金        | Washer 3             |                   |     |     |          |      | 1   |
| 662      | M9 0403 050       | 座金        | Washer 4             |                   |     |     |          |      | 2   |
| 663      | M9 1109 002       | 平ネジ       | Screw 11/64(40)×7    |                   |     |     |          |      | 4   |
| 664      | MN 72E0 327       | カム板(組)    | Cam plate (complete) |                   |     |     |          |      | 1   |
| 665      | MN 72A0 454       | ツバ付軸      | Shaft M3×3.5         |                   |     |     |          |      | 1   |
| 666      | MN 72A0 982       | ワイパー台     | Wiper stand          |                   |     |     |          |      | 1   |
| 667      | M9 1106 003       | 丸平ネジ      | Screw 11/64(40)×20   |                   |     |     |          |      | 2   |
| 668      | MN 72A0 352       | カラ        | Collar               |                   |     |     |          |      | 1   |
| 669      | MN 50A2 572       | ツル巻バネ     | Spring               |                   |     |     |          |      | 1   |
| 670      | M9 0929 015       | 平ネジ       | Screw 9/64(40)×7.4   |                   |     |     |          |      | 1   |
| 671      | MN 72A0 910       | リンク       | Link                 |                   |     |     |          |      | 1   |
| 672      | MN 72A0 981       | ワイパー腕     | Wiper crank          |                   |     |     |          |      | 1   |
| 673      | M9 1117 002       | 丸平ネジ      | Screw 11/64(40)×11.4 |                   |     |     |          |      | 1   |
| 674      | M9 1003 045       | ナット       | Nut M4               |                   |     |     |          |      | 2   |
| 675      | M9 0401 053       | バネ座金      | Spring washer 4      |                   |     |     |          |      | 2   |
| 676      | MN 72A0 477       | ストップ板     | Stopper plate        |                   |     |     |          |      | 1   |
| 677      | MN 72A0 397       | クッション     | Cushion              |                   |     |     |          |      | 1   |
| 678      | M9 1109 004       | 座金付ブラマイネジ | Screw 11/64(40)×8.2  |                   |     |     |          |      | 2   |
| 679      | M9 0863 004       | 座金付ブラマイネジ | Screw M3×6           |                   |     |     |          |      | 6   |
| 680      | MN 72A2 601       | ソレノイド取付板  | Solenoid plate       |                   |     |     |          |      | 1   |
| 681      | MF 40E2 484       | 波動スイッチ    | Switch               |                   |     |     |          |      | 1   |
| 682      | MF 00A1 780       | コードホルダ    | Cord holder          |                   |     |     |          |      | 1   |
| 683      | M9 1010 095       | ロータリソレノイド | Rotary solenoid      |                   |     |     |          |      | 1   |
| 684      | MN 72A0 339       | カバー       | Cover                |                   |     |     |          |      | 1   |
| 685      | M9 0806 002       | 平ネジ       | Screw 1/8(44)×6      |                   |     |     |          |      | 2   |
| 686      | M9 1571 045       | 小座金       | Washer 6             |                   |     |     |          |      | 2   |
| 687      | MN 72A0 470       | ワイパースベリ板  | Wiper slide plate    |                   |     |     |          |      | 1   |
| 688      | M9 0704 065       | E形止め輪     | E-type stop ring 4   |                   |     |     |          |      | 2   |
| 689      | MN 72A1 454       | ワイパー軸     | Wiper shaft          |                   |     |     |          |      | 1   |
| 690      | MN 72A0 980       | ワイパー      | Wiper                |                   |     |     |          |      | 1   |

13 給油機構  
OIL LUBRICATION MECHANISM

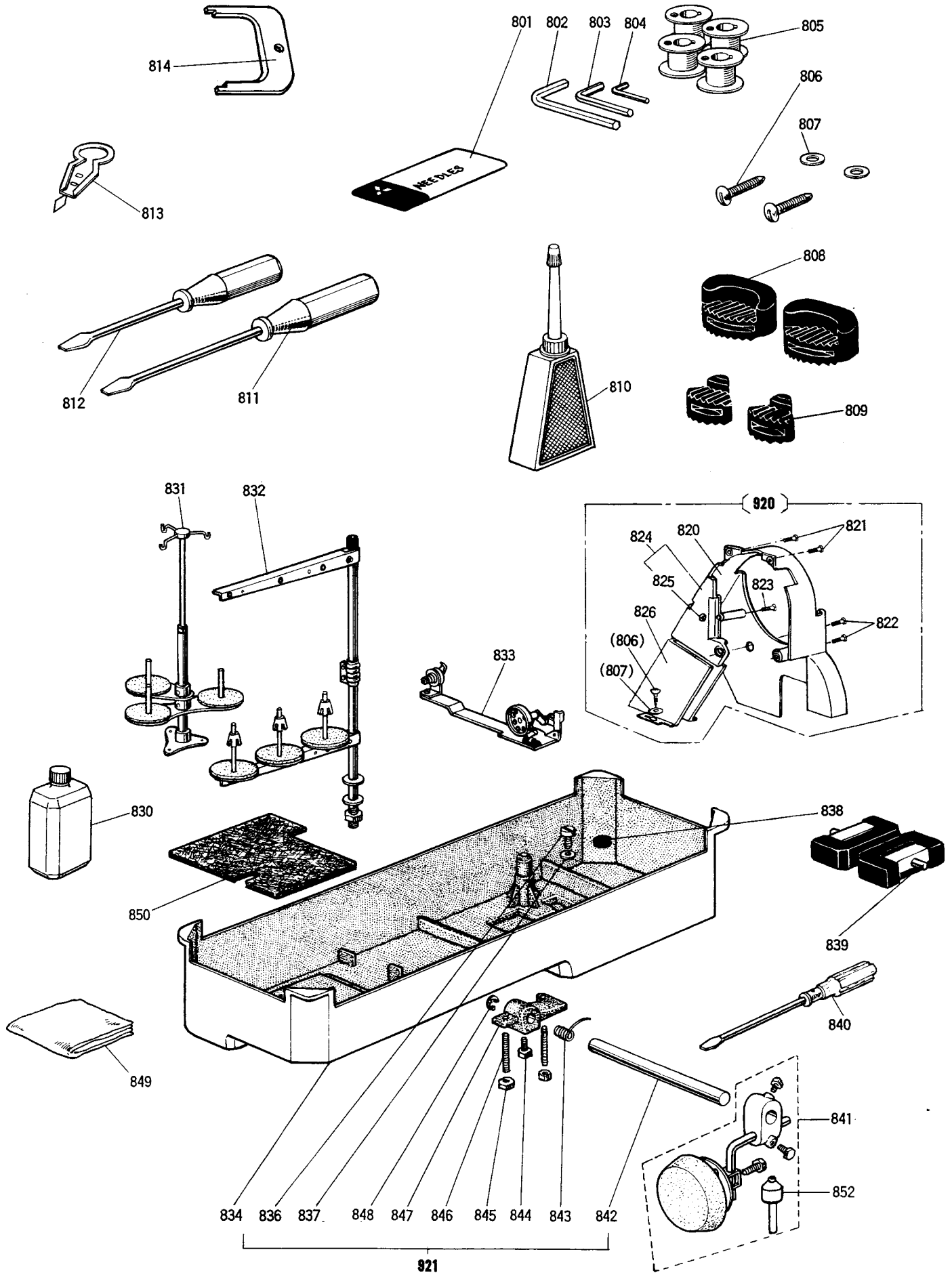


13 給油機構

OIL LUBRICATION MECHANISM

| Fig. No. | 部品コード<br>Part. No. | 部 品 名        | Description   | 使用個数<br>Amt. Req. |     |     |          |      |     |
|----------|--------------------|--------------|---|-------------------|-----|-----|----------|------|-----|
|          |                    |              |   | LT2-2220          |     |     | LT2-2230 |      |     |
|          |                    |              |   | LOB               | MOB | BOB | LIT      | MITW | BIT |
| 700      | M9 1106 004        | ブラマイネジ       | $9/64(40) \times 8$ ..... Screw $9/64(40) \times 8$ .....       | 3                 | 3   | 3   | 3        | 3    | 3   |
| 701      | MF 70A0 689        | ホルダ          | Holder .....  | 1                 | 1   | 1   | 1        | 1    | 1   |
| 702      | MN 70A0 688        | パイプ          | Pipe .....  | 1                 | 1   | 1   | 1        | 1    | 1   |
| 703      | MP 40A3 740        | フェルト         | Felt .....  | 2                 | 2   | 1   | 2        | 2    | 1   |
| 704      | MN 70E0 688        | パイプヒモ (組)    | Oil pipe & wick complete ...                                    | 1                 | 1   | 1   | 1        | 1    | 1   |
| 705      | MN 70E1 688        | パイプヒモ (組)    | Oil pipe & wick complete ...                                    | 1                 | 1   | 1   | 1        | 1    | 1   |
| 706      | MN 70E0 138        | オイルタンク (組)   | Oil tank complete .....   | 1                 | 1   | 1   | 1        | 1    | 1   |
| 707      | MN 70A0 691        | ガスケット        | Gasket .....  | 1                 | 1   | 1   | 1        | 1    | 1   |
| 708      | M9 1402 010        | P黄銅サラネジ      | M4×16 .....   | 2                 | 2   | 2   | 2        | 2    | 2   |
| 709      | MN 70A0 780        | ホルダ          | Holder .....  | 1                 | 1   | 1   | 1        | 1    | 1   |
| 710      | MN 70E2 688        | パイプヒモ (組)    | Oil pipe & wick complete ...                                    | 1                 | 1   |     | 1        | 1    |     |
| 711      | MN 70E7 688        | パイプ          | 3D×1×500 .....  | 1                 | 1   | 1   | 1        | 1    | 1   |
| 712      | MN 70E8 688        | パイプ          | 5D×1×360 .....  | 1                 | 1   | 1   | 1        | 1    | 1   |
| 713      | MN 70A2 688        | パイプ          | Pipe .....  | 1                 | 1   | 1   | 1        | 1    | 1   |
| 714      | MN 70E3 688        | パイプ・フェルト (組) | Pipe & felt complete .....                                      | 1                 | 1   | 1   | 1        | 1    | 1   |
| 715      | M9 0903 002        | 平ネジ          | $9/64(40) \times 6.5$ ..... Screw $9/64(40) \times 6.5$ .....   | 7                 | 7   | 7   | 7        | 7    | 7   |
| 716      | M9 0304 053        | バネ座金         | 3.5 .....   | 1                 | 1   | 1   | 1        | 1    | 1   |
| 717      | MF 10A0 689        | ホルダ          | Holder .....  | 4                 | 4   | 4   | 4        | 4    | 4   |
| 718      | MN 70A1 780        | ホルダ          | Holder .....  | 2                 | 2   | 2   | 2        | 2    | 2   |
| 719      | M9 1107 002        | 平ネジ          | $11/64(40) \times 5.5$ ..... Screw $11/64(40) \times 5.5$ ..... | 7                 | 7   | 7   | 6        | 6    | 6   |
| 720      | MN 70A2 780        | ホルダ          | Holder .....  | 1                 | 1   | 1   | 1        | 1    | 1   |
| 721      | M9 1109 004        | 座金付ブラマイネジ    | $11/64(40) \times 9$ ..... Screw $11/64(40) \times 9$ .....     | 3                 | 3   | 3   | 3        | 3    | 3   |
| 722      | M9 1111 001        | 止メネジ         | $11/64(40) \times 10$ ..... Screw $11/64(40) \times 10$ .....   | 2                 | 2   | 2   | 2        | 2    | 2   |
| 723      | MN 40A0 750        | ブッシュ         | Bushing .....   | 1                 | 1   | 1   | 1        | 1    | 1   |
| 724      | MN 70E7 688        | パイプ          | 3D×1×90 .....   | 1                 | 1   | 1   | 1        | 1    | 1   |
| 725      | M9 5007 063        | 特殊ピン         | Pin .....   | 1                 | 1   | 1   | 1        | 1    | 1   |
| 726      | MN 40A1 572        | ツル巻バネ        | Spring .....  | 1                 | 1   | 1   | 1        | 1    | 1   |
| 727      | MN 40A0 705        | バネ押エ         | Spring holder .....   | 1                 | 1   | 1   | 1        | 1    | 1   |
| 728      | M9 0805 002        | 平ネジ          | $1/8(44) \times 4.5$ ..... Screw $1/8(44) \times 4.5$ .....     | 1                 | 1   | 1   | 1        | 1    | 1   |
| 729      | M9 0908 003        | 丸平ネジ         | $9/64(40) \times 5$ ..... Screw $9/64(40) \times 5$ .....       | 1                 | 1   | 1   | 1        | 1    | 1   |
| 730      | MN 40E0 337        | フィルタ         | Filter .....  | 1                 | 1   | 1   | 1        | 1    | 1   |
| 731      | M9 0905 003        | 丸平ネジ         | $9/64(40) \times 7$ ..... Screw $9/64(40) \times 7$ .....       | 1                 | 1   | 1   | 1        | 1    | 1   |
| 732      | MN 70E1 601        | 取付板 (組)      | Base plate complete .....                                       | 1                 | 1   | 1   | 1        | 1    | 1   |
| 733      | MP 40A4 689        | ホルダ          | Holder .....  | 1                 | 1   | 1   | 1        | 1    | 1   |
| 734      | M9 0906 002        | 平ネジ          | $9/64(40) \times 4.5$ ..... Screw $9/64(40) \times 4.5$ .....   | 1                 | 1   | 1   | 1        | 1    | 1   |
| 736      | MN 70E7 688        | パイプ          | 3D×1×325 .....  | 1                 | 1   | 1   | 1        | 1    | 1   |
| 737      | MQ 60A2 780        | ホルダ          | Holder .....  | 1                 | 1   | 1   | 1        | 1    | 1   |
| 738      | MN 70A3 780        | ホルダ (右)      | Holder (right) .....  | 1                 | 1   | 1   | 1        | 1    | 1   |
| 739      | MN 70A2 740        | フェルト         | Felt .....  | 2                 | 2   | 2   | 2        | 2    | 2   |
| 740      | MN 70A4 780        | ホルダ (左)      | Holder (left) .....   | 1                 | 1   | 1   | 1        | 1    | 1   |
| 741      | MN 50E0 742        | フタ (組)       | Cover complete .....  | 2                 | 2   | 2   | 2        | 2    | 2   |
| 742      | MN 70E4 688        | パイプヒモ (組)    | Oil pipe & wick complete ...                                    | 1                 | 1   | 1   | 1        | 1    | 1   |
| 743      | MN 70E5 688        | パイプヒモ (組)    | Oil pipe & wick complete ...                                    | 1                 | 1   | 1   | 1        | 1    | 1   |
| 744      | MN 70E0 148        | ヒモ           | $\phi 2.5 \times 35$ ..... Oil wick $\phi 2.5 \times 35$ .....  | 3                 | 3   | 3   | 3        | 3    | 3   |
| 745      | MN 70E6 688        | パイプヒモ (組)    | Oil pipe & wick complete ...                                    | 1                 | 1   | 1   | 1        | 1    | 1   |
| 746      | MN 70E7 688        | パイプ          | 3D×1×480 .....  | 1                 | 1   | 1   | 1        | 1    | 1   |
| 747      | MN 70A5 780        | ホルダ          | Holder .....  | 3                 | 3   | 3   | 2        | 2    | 2   |
| 748      | MN 70A6 780        | ホルダ          | Holder .....  | 1                 | 1   | 1   | 1        | 1    | 1   |
| 749      | MP 40A0 571        | 油ツギ          | Oil pipe connector .....  | 1                 | 1   | 1   | 1        | 1    | 1   |
| 750      | MN 70E7 688        | パイプ          | 3D×1×50 .....   | 1                 | 1   | 1   | 1        | 1    | 1   |
| 751      | MP 1118 002        | 平ネジ          | $11/64(40) \times 10$ ..... Screw $11/64(40) \times 10$ .....   | 2                 | 2   | 2   | 2        | 2    | 2   |
| 752      | MN 70A0 429        | 支板           | Holding plate .....   | 1                 | 1   | 1   | 1        | 1    | 1   |
| 753      | MF 40A1 780        | ホルダ          | Holder .....  | 1                 | 1   | 1   | 1        | 1    | 1   |
| 754      | MN 70A7 780        | ホルダ          | Holder .....  | 1                 | 1   | 1   | 1        | 1    | 1   |

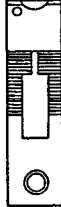
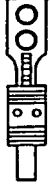



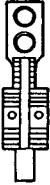
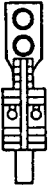
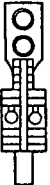

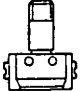





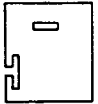
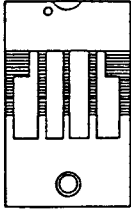
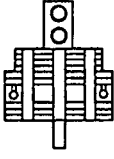
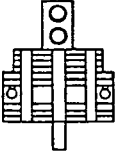
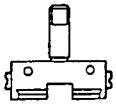
14 付属品  
ACCESSORIES



# 14 付属品 ACCESSORIES

| Fig. No. | 部品コード<br>Part. No. | 部 品 名     | Description  | 使用個数<br>Amt. Req. |     |     |          |      |     |
|----------|--------------------|-----------|--------------|-------------------|-----|-----|----------|------|-----|
|          |                    |           |              | LT2-2220          |     |     | LT2-2230 |      |     |
|          |                    |           |              | LOB               | MOB | BOB | LIT      | MFTW | BIT |
| 801      | MN 68A0 128        | ミ シ ン 針   | DPX5 #11     | 6                 |     |     | 6        |      |     |
|          | MV 01A0 128        | ミ シ ン 針   | DPX5 #14     |                   | 6   |     |          | 6    |     |
|          | MN 42A0 128        | ミ シ ン 針   | DPX5 #21     |                   |     | 6   |          |      | 6   |
| 802      | MS 02A2 976        | 六角棒       | 3            |                   |     |     | 1        | 1    | 1   |
| 803      | MS 02A1 976        | 六角棒       | 2.5          |                   |     |     | 1        | 1    | 1   |
| 804      | MS 02A0 976        | 六角棒       | 2            |                   |     |     | 1        | 1    | 1   |
| 805      | MN 40A0 123        | ボビ        |              | 4                 | 4   |     |          |      |     |
|          | MN 12B0 123        | ボビ        |              |                   |     | 4   |          |      |     |
|          | MN 72A0 123        | ボビ        |              |                   |     |     | 4        | 4    |     |
|          | MN 74A0 123        | ボビ        |              |                   |     |     |          |      | 4   |
| 806      | M9 0403 041        | 丸木ネジ      | 4.5×20       | 4                 | 4   | 4   | 4        | 4    | 4   |
| 807      | M9 0550 050        | ガキ座金      | 5            | 4                 | 4   | 4   | 4        | 4    | 4   |
| 808      | MN 70A0 419        | 防振ゴム      |              | 2                 | 2   | 2   | 2        | 2    | 2   |
| 809      | MN 70A1 419        | 防振ゴム      |              | 2                 | 2   | 2   | 2        | 2    | 2   |
| 810      | MF 60A0 137        | 油差シ       |              | 1                 | 1   | 1   | 1        | 1    | 1   |
| 811      | MB 02A0 608        | ネジ回シ      | (中)          | 1                 | 1   | 1   | 1        | 1    | 1   |
| 812      | MB 02A1 608        | ネジ回シ      | (小)          | 1                 | 1   | 1   | 1        | 1    | 1   |
| 813      | MN 10A0 172        | 糸通シ器具     | (組)          | 1                 | 1   | 1   | 1        | 1    | 1   |
| 814      | MF 01A0 565        | 反射板調整具    |              |                   |     |     |          |      |     |
| 920      | MN 70E0 776        | ベルトカバー    | (組)(国内のみ)    | 1                 | 1   | 1   |          |      |     |
|          | MN 72E0 776        | ベルトカバー    | (組)(国内のみ)    |                   |     |     | 1        | 1    | 1   |
| 820      | MF 01A0 776        | ベルトカバー    | 1            | 1                 | 1   | 1   | 1        | 1    | 1   |
| 821      | M9 1109 004        | PW付ブラマイネジ | 11/64(40)×8  | 2                 | 2   | 2   | 2        | 2    | 2   |
| 822      | M9 1506 004        | ブラマイネジ    | 15/64(28)×8  | 2                 | 2   | 2   | 2        | 2    | 2   |
| 823      | M9 0410 037        | Pナベネジ     | M4×8         | 1                 | 1   | 1   | 1        | 1    | 1   |
| 824      | MF 01E1 776        | ベルトカバー    | 2            | 1                 | 1   | 1   | 1        | 1    | 1   |
| 825      | M9 1003 045        | ナット       | M4           | 1                 | 1   | 1   | 1        | 1    | 1   |
| 826      | MF 01A1 776        | ベルトカバー    | 3            | 1                 | 1   | 1   |          |      |     |
|          | MN 72A0 776        | ベルトカバー    | 3            |                   |     |     | 1        | 1    | 1   |
| 830      | MN 70E0 149        | 油缶        |              | 1                 | 1   | 1   | 1        | 1    | 1   |
| 831      | MN 10E0 193        | 糸立装置      | 3本立(組)(海外用)  | 1                 | 1   | 1   |          |      |     |
| 832      | MN 50E0 193        | 糸立装置      | 3本立(組)(国内用)  | 1                 | 1   | 1   |          |      |     |
|          | MN 50E0 193        | 糸立装置      | 3本立(組)       |                   |     |     | 1        | 1    | 1   |
| 833      | MN 70E0 190        | 糸巻仕掛      | (組)          | 1                 | 1   |     | 1        | 1    |     |
|          | MN 69E0 190        | 糸巻仕掛      | (組)          |                   |     | 1   |          |      | 1   |
| 834      | MP 40A0 139        | 油槽        |              | 1                 | 1   | 1   | 1        | 1    | 1   |
| 836      | M9 2002 002        | 平ネジ       | 5/16(28)×8.2 | 1                 | 1   | 1   | 1        | 1    | 1   |
| 837      | M9 7001 052        | 特殊座金      | 14           | 1                 | 1   | 1   | 1        | 1    | 1   |
| 838      | M9 0701 099        | OP-S磁石    |              | 1                 | 1   | 1   | 1        | 1    | 1   |
| 839      | MF 01E0 418        | 蝶番        | (組)          | 2                 | 2   | 2   | 2        | 2    | 2   |
| 840      | MF 00A0 608        | ネジ回シ      | (大)          | 1                 | 1   | 1   | 1        | 1    | 1   |
| 841      | MN 40E0 727        | 小物部品      | (組)          | 1                 | 1   | 1   | 1        | 1    | 1   |
| 842      | MF 20A1 723        | 膝上ゲ       |              | 1                 | 1   | 1   | 1        | 1    | 1   |
| 843      | MF 20A1 729        | ネリバネ      |              | 1                 | 1   | 1   | 1        | 1    | 1   |
| 844      | M9 2001 031        | 特殊ボルト     |              | 1                 | 1   | 1   | 1        | 1    | 1   |
| 845      | M9 1506 045        | ナット       | 15/64(28)    | 2                 | 2   | 2   | 2        | 2    | 2   |
| 846      | M9 1520 001        | 止メネジ      | 15/64(28)×27 | 2                 | 2   | 2   | 2        | 2    | 2   |
| 847      | MN 70A0 724        | 膝上ゲ腕      |              | 1                 | 1   | 1   | 1        | 1    | 1   |
| 848      | M9 0515 065        | E形止メ輪     | 9            | 1                 | 1   | 1   | 1        | 1    | 1   |
| 849      | MF 60A0 734        | ビニールカバー   |              | 1                 | 1   | 1   | 1        | 1    | 1   |
| 850      | MN 70A0 740        | フェルト      |              | 1                 | 1   | 1   | 1        | 1    | 1   |
| 852      | MN 40A0 578        | 膝上ゲピン     |              | 1                 | 1   | 1   | 1        | 1    | 1   |
| 921      | MN 70E0 139        | 油槽        | (組)          | 1                 | 1   | 1   | 1        | 1    | 1   |

15 ゲージ部品表(I) LT2-2220  
GAUGE PARTS LIST (I)







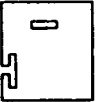


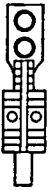



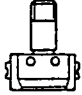
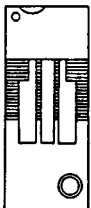
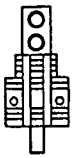
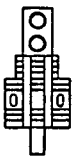
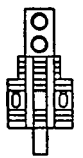

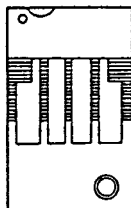
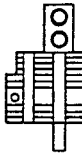
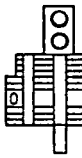
| 針板 Needle Plate   |   |     | 送り Feed Dog   |  |   | 押工 Presser Foot   | 針ダキ Needle Clamp  | スベリ板 (左) Slide Plate (L)   | スベリ板 (右) Slide Plate (R)   |
|---|---|-----|---|--|---|---|---|--|--|
| LOB   | MOB   | BOB | LOB   | MOB  | BOB   |   |   |  |  |
| <br>$3/32 \sim 5/32$ |   |     | <br>針穴φ1.6<br>歯ピッチ<br>1.15<br>$3/32 \sim 5/32$ | <br>針穴φ1.9<br>歯ピッチ<br>1.7<br>$3/32 \sim 5/32$   | <br>針穴φ2.5<br>歯ピッチ<br>1.7<br>$3/32 \sim 5/32$  |   |   |  |  |
| <br>$3/16 \sim 3/8$  |   |     | <br>針穴φ1.6<br>歯ピッチ<br>1.15<br>$3/16 \sim 3/8$  | <br>針穴φ1.9<br>歯ピッチ<br>1.7<br>$3/16 \sim 3/8$    | <br>針穴φ2.5<br>歯ピッチ<br>1.7<br>$3/16 \sim 3/8$   | <br>LOB<br>$3/32 \sim 3/8$<br>MOB<br>$3/32 \sim 1 1/2$ | <br>$3/32 \sim 5/8$    |  |  |
|   | <br>$1/2 \sim 3/4$   |     |   | <br>針穴φ1.9<br>歯ピッチ<br>1.7<br>$1/2 \sim 3/4$   | <br>針穴φ2.5<br>歯ピッチ<br>1.7<br>$1/2 \sim 3/4$   | <br>BOB<br>$3/32 \sim 1 1/2$                         |   | <br>$3/32 \sim 1 1/2$ | <br>$3/32 \sim 1 1/2$ |
|   | <br>$1/2 \sim 1 1/2$ |     |   | <br>針穴φ1.9<br>歯ピッチ<br>1.7<br>$1/2 \sim 1 1/2$ | <br>針穴φ2.5<br>歯ピッチ<br>1.7<br>$1/2 \sim 1 1/2$ |   | <br>$3/4 \sim 1 1/2$ |  |  |

15 ゲージ部品表(I) LT2-2220  
GAUGE PARTS LIST (I)

部品コード Parts No.

| 針巾寸法<br>Gauge Size                                   | 針板<br>Needle Plate | 送り<br>Feed Dog | 押工<br>Presser Foot | 針ダキ<br>Needle Clamp | スベリ板(左)<br>Slide Plate (L) | スベリ板(右)<br>Slide Plate (R) |
|--|--------------------|----------------|--------------------|---------------------|----------------------------|----------------------------|
| <b>TYPE LOB</b>                                      |                    |                |                    |                     |                            |                            |
| 3/32(2.4 <sup>m</sup> /m)                            | MN10J3101          | MN70J1104      | MN10J3105          | MN57J2102           | MN70A1473                  | MN70A1474                  |
| 1/8(3.2 <sup>m</sup> /m)                             | MN10J4101          | MN70J2104      | MN10J4105          | MN57J3102           | MN70A1473                  | MN70A1474                  |
| 5/32(4 <sup>m</sup> /m)                              | MN10J5101          | MN70J3104      | MN10J5105          | MN57J4102           | MN70A1473                  | MN70A1474                  |
| 3/16(4.8 <sup>m</sup> /m)                            | MN10J6101          | MN70J4104      | MN10J6105          | MN57J5102           | MN70A1473                  | MN70A1474                  |
| 7/32(5.6 <sup>m</sup> /m)                            | MN10J7101          | MN70J5104      | MN10J7105          | MN57J6102           | MN70A1473                  | MN70A1474                  |
| 1/4(6.4 <sup>m</sup> /m)                             | MN10J8101          | MN70J6104      | MN10J8105          | MN57J7102           | MN70A1473                  | MN70A1474                  |
| 9/32(7.1 <sup>m</sup> /m)                            | MN70J1101          | MN70J7104      | MN70J1105          | MN57J8102           | MN70A1473                  | MN70A1474                  |
| 5/16(8 <sup>m</sup> /m)                              | MN10J9101          | MN70J8104      | MN10J9105          | MN57J9102           | MN70A2473                  | MN70A1474                  |
| 3/8(9.5 <sup>m</sup> /m)                             | MN10K1101          | MN70J9104      | MN10K1105          | MN57K1102           | MN70A2473                  | MN70A1474                  |
| <b>TYPE MOB</b>                                      |                    |                |                    |                     |                            |                            |
| 3/32(2.4 <sup>m</sup> /m)                            | MN10J3101          | MN10J3104      | MN10J3105          | MN57J2102           | MN70A1473                  | MN70A1474                  |
| 1/8(3.2 <sup>m</sup> /m)                             | MN10J4101          | MN10J4104      | MN10J4105          | MN57J3102           | MN70A1473                  | MN70A1474                  |
| 5/32(4 <sup>m</sup> /m)                              | MN10J5101          | MN10J5104      | MN10J5105          | MN57J4102           | MN70A1473                  | MN70A1474                  |
| 3/16(4.8 <sup>m</sup> /m)                            | MN10J6101          | MN10J6104      | MN10J6105          | MN57J5102           | MN70A1473                  | MN70A1474                  |
| 7/32(5.6 <sup>m</sup> /m)                            | MN10J7101          | MN10J7104      | MN10J7105          | MN57J6102           | MN70A1473                  | MN70A1474                  |
| 1/4(6.4 <sup>m</sup> /m)                             | MN10J8101          | MN10J8104      | MN10J8105          | MN57J7102           | MN70A1473                  | MN70A1474                  |
| 5/16(8 <sup>m</sup> /m)                              | MN10J9101          | MN10J9104      | MN10J9105          | MN57J9102           | MN70A2473                  | MN70A1474                  |
| 3/8(9.5 <sup>m</sup> /m)                             | MN10K1101          | MN10K1104      | MN10K1105          | MN57K1102           | MN70A2473                  | MN70A1474                  |
| 1/2(12.7 <sup>m</sup> /m)                            | MN10K3101          | MN10K3104      | MN10K3105          | MN57K3102           | MN70A3473                  | MN70A1474                  |
| 5/8(16 <sup>m</sup> /m)                              | MN10K4101          | MN10K4104      | MN10K4105          | MN57K5102           | MN70A3473                  | MN70A1474                  |
| 3/4(19.1 <sup>m</sup> /m)                            | MN10K5101          | MN10K5104      | MN10K5105          | MN57K6102           | MN70A4473                  | MN70A2474                  |
| 1(25.4 <sup>m</sup> /m)                              | MN10K6101          | MN10K6104      | MN10K6105          | MN57K8102           | MN70A5473                  | MN70A2474                  |
| 1 <sup>1</sup> / <sub>8</sub> (28.5 <sup>m</sup> /m) | MN10K7101          | MN10K7104      | MN10K7105          | MN57K9102           | MN70A6473                  | MN70A2474                  |
| 1 <sup>1</sup> / <sub>4</sub> (31.8 <sup>m</sup> /m) | MN10K8101          | MN10K8104      | MN10K8105          | MN58K1102           | MN70A6473                  | MN70A2474                  |
| 1 <sup>1</sup> / <sub>2</sub> (38.1 <sup>m</sup> /m) | MN10K9101          | MN10K9104      | MN10K9105          | MN58K3102           | MN70A7473                  | MN70A2474                  |
| <b>TYPE BOB</b>                                      |                    |                |                    |                     |                            |                            |
| 3/32(2.4 <sup>m</sup> /m)                            | MN42J3101          | MN10J3104      | MN52J3105          | MN57J2102           | MN70A1473                  | MN70A1474                  |
| 1/8(3.2 <sup>m</sup> /m)                             | MN26J4101          | MN12J4104      | MN12J4105          | MN57J3102           | MN70A1473                  | MN70A1474                  |
| 5/32(4 <sup>m</sup> /m)                              | MN42J5101          | MN12J5104      | MN52J5105          | MN57J4102           | MN70A1473                  | MN70A1474                  |
| 3/16(4.8 <sup>m</sup> /m)                            | MN26J6101          | MN26J6104      | MN26J6105          | MN57J5102           | MN70A1473                  | MN70A1474                  |
| 7/32(5.6 <sup>m</sup> /m)                            | MN42J7101          | MN12J7104      | MN52J7105          | MN57J6102           | MN70A1473                  | MN70A1474                  |
| 1/4(6.4 <sup>m</sup> /m)                             | MN26J8101          | MN26J8104      | MN26J8105          | MN57J7102           | MN70A1473                  | MN70A1474                  |
| 5/16(8 <sup>m</sup> /m)                              | MN26J9101          | MN26J9104      | MN26J9105          | MN57J9102           | MN70A2473                  | MN70A1474                  |
| 3/8(9.5 <sup>m</sup> /m)                             | MN26K1101          | MN26K1104      | MN26K1105          | MN57K1102           | MN70A2473                  | MN70A1474                  |
| 1/2(12.7 <sup>m</sup> /m)                            | MN26K3101          | MN12K3104      | MN26K3105          | MN57K3102           | MN70A3473                  | MN70A1474                  |
| 5/8(16 <sup>m</sup> /m)                              | MN42K4101          | MN12K4104      | MN52K4105          | MN57K5102           | MN70A3473                  | MN70A1474                  |
| 3/4(19.1 <sup>m</sup> /m)                            | MN42K5101          | MN12K5104      | MN52K5105          | MN57K6102           | MN70A4473                  | MN70A2474                  |
| 1(25.4 <sup>m</sup> /m)                              | MN42K6101          | MN12K6104      | MN52K6105          | MN57K8102           | MN70A5473                  | MN70A2474                  |
| 1 <sup>1</sup> / <sub>8</sub> (28.5 <sup>m</sup> /m) | MN42K7101          | MN12K7104      | MN52K7105          | MN57K9102           | MN70A6473                  | MN70A2474                  |
| 1 <sup>1</sup> / <sub>4</sub> (31.8 <sup>m</sup> /m) | MN42K8101          | MN12K8104      | MN52K8105          | MN58K1102           | MN70A6473                  | MN70A2474                  |
| 1 <sup>1</sup> / <sub>2</sub> (38.1 <sup>m</sup> /m) | MN70J2101          | MN70K1104      | MN70J2105          | MN58K3102           | MN70A7473                  | MN70A2474                  |

16 ゲージ部品表(II) LT2-2230  
GAUGE PARTS LIST (II)

| 針板 Needle Plate   |      |     | 送り Feed Dog   |  |  |  | 押工 Presser Foot   | 針ダキ Needle Clamp  | スベリ板 (左) Slide Plate (L)   | スベリ板 (右) Slide Plate (R)  |  |
|---|------|-----|---|--|--|--|---|---|--|---|--|
| L1T   | MITW | BIT | L1T   | MITW   | MITW (デニム用 Denim)  | BIT  |   |   |  |   |  |
| <br>$3/32 \sim 5/32$ |      |     | <br>針穴 $\phi 1.6$<br>歯ピッチ 1.15<br>$3/32 \sim 5/32$ | <br>針穴 $\phi 1.8$<br>歯ピッチ 1.7<br>$3/32 \sim 5/32$ | <br>針穴 $1.8 \times 2.8$<br>歯ピッチ 1.7<br>$3/32 \sim 5/32$ | <br>針穴 $2 \times 3.2$<br>歯ピッチ 1.7<br>$3/32 \sim 5/32$  |   |   | <br>$3/32 \sim 1/2$ | <br>$3/32 \sim 1/2$  |  |
| <br>$3/16 \sim 3/8$ |      |     | <br>針穴 $\phi 1.6$<br>歯ピッチ 1.15<br>$3/16 \sim 3/8$  | <br>針穴 $\phi 1.8$<br>歯ピッチ 1.7<br>$3/16 \sim 3/8$  | <br>針穴 $1.8 \times 2.8$<br>歯ピッチ 1.7<br>$3/16 \sim 3/8$  | <br>針穴 $2.2 \times 3.2$<br>歯ピッチ 1.7<br>$3/16 \sim 3/8$ | <br>L1T<br>$3/32 \sim 3/16$<br>MITW<br>$3/32 \sim 1/2$ | <br>$3/32 \sim 5/8$                                    |  |   |  |
| <br>$1/2 \sim 3/4$ |      |     | <br>針穴 $\phi 1.8$<br>歯ピッチ 1.7<br>$1/2 \sim 3/4$  |  |  |  | <br>針穴 $1.8 \times 2.8$<br>歯ピッチ 1.7<br>$1/2 \sim 3/4$  | <br>針穴 $2.2 \times 3.2$<br>歯ピッチ 1.7<br>$1/2 \sim 3/4$ |  | Fig. 551 植え込みボルト<br>Connecting Bolt<br><br>$3/32 \sim 5/8$ M95004023<br>$3/4 \sim 1/2$ M95006023 |  |
| <br>$1 \sim 1/2$   |      |     |   |  |  |  | <br>針穴 $\phi 1.8$<br>歯ピッチ 1.7<br>$1 \sim 1/2$          |   |  |   | <br>針穴 $1.8 \times 2.8$<br>歯ピッチ 1.7<br>$1 \sim 1/2$ |



16 ゲージ部品表(II) LT2-2230  
GAUGE PARTS LIST (II)

部品コード Parts No.

| 針巾寸法<br>Gauge Size | 針板<br>Needle Plate | 送り<br>Feed Dog | 送り(デニム)<br>Feed Dog<br>(for Denim) | 押工<br>Presser Foot | 針ダキ<br>Needle<br>Clamp | スベリ板(左)<br>Slide Plate<br>(L) | スベリ板(右)<br>Slide Plate<br>(R) |
|--------------------|--------------------|----------------|------------------------------------|--------------------|------------------------|-------------------------------|-------------------------------|
| TYPE LIT           |                    |                |                                    |                    |                        |                               |                               |
| $3/32(2.4^m/m)$    | MN50J3101          | MN72J1104      |                                    | MN10J3105          | MN57J2102              | MN72A1473                     | MN72A1474                     |
| $1/8(3.2^m/m)$     | MN50J4101          | MN72J2104      |                                    | MN10J4105          | MN57J3102              | MN72A1473                     | MN72A1474                     |
| $5/32(4^m/m)$      | MN50J5101          | MN72J3104      |                                    | MN10J5105          | MN57J4102              | MN72A1473                     | MN72A1474                     |
| $3/16(4.8^m/m)$    | MN50H6101          | MN72J4104      |                                    | MN10J6105          | MN57J5102              | MN72A1473                     | MN72A1474                     |
| $7/32(5.6^m/m)$    | MN50J7101          | MN72J5104      |                                    | MN10J7105          | MN57J6102              | MN72A1473                     | MN72A1474                     |
| $1/4(6.4^m/m)$     | MN50J8101          | MN72J6104      |                                    | MN10J8105          | MN57J7102              | MN72A1473                     | MN72A1474                     |
| $5/16(8^m/m)$      | MN50J9101          | MN72J7104      |                                    | MN10J9105          | MN57J9102              | MN72A2473                     | MN72A1474                     |
| $3/8(9.5^m/m)$     | MN50K1101          | MN72J8104      |                                    | MN10K1105          | MN57K1102              | MN72A2473                     | MN72A1474                     |
| TYPE MITW          |                    |                |                                    |                    |                        |                               |                               |
| $3/32(2.4^m/m)$    | MN50J3101          | MN50J3104      | MN50J3104                          | MN10J3105          | MN57J2102              | MN72A1473                     | MN72A1474                     |
| $1/8(3.2^m/m)$     | MN50J4101          | MN50J4104      | MN60J4104                          | MN10J4105          | MN57J3102              | MN72A1473                     | MN72A1474                     |
| $5/32(4^m/m)$      | MN50J5101          | MN50J5104      | MN51J5104                          | MN10J5105          | MN57J4102              | MN72A1473                     | MN72A1474                     |
| $3/16(4.8^m/m)$    | MN50H6101          | MN50J6104      | MN51H6104                          | MN10J6105          | MN57J5102              | MN72A1473                     | MN72A1474                     |
| $7/32(5.6^m/m)$    | MN50J7101          | MN50J7104      | MN51J7104                          | MN10J7105          | MN57J6102              | MN72A1473                     | MN72A1474                     |
| $1/4(6.4^m/m)$     | MN50J8101          | MN50J8104      | MN51J8104                          | MN10J8105          | MN57J7102              | MN72A1473                     | MN72A1474                     |
| $5/16(8^m/m)$      | MN50J9101          | MN50J9104      | MN51J9104                          | MN10J9105          | MN57J9102              | MN72A2473                     | MN72A1474                     |
| $3/8(9.5^m/m)$     | MN50K1101          | MN50K1104      | MN51K1104                          | MN10K1105          | MN57K1102              | MN72A2473                     | MN72A1474                     |
| $1/2(12.7^m/m)$    | MN50K3101          | MN50K3104      | MN51K3104                          | MN10K3105          | MN57K3102              | MN72A3473                     | MN72A1474                     |
| $5/8(16^m/m)$      | MN50K4101          | MN50K4104      | MN51K4104                          | MN10K4105          | MN57K5102              | MN72A3473                     | MN72A1474                     |
| $3/4(19.1^m/m)$    | MN50K5101          | MN50K5104      | MN51K5104                          | MN10K5105          | MN57K6102              | MN72A4473                     | MN72A2474                     |
| 1(25.4^m/m)        | MN50K6101          | MN50K6104      | MN51K6104                          | MN10K6105          | MN57K8102              | MN72A5473                     | MN72A2474                     |
| $1^1/8(28.5^m/m)$  | MN50K7101          | MN50K7104      | MN51K7104                          | MN10K7105          | MN57K9102              | MN72A6473                     | MN72A2474                     |
| $1^1/4(31.8^m/m)$  | MN50K8101          | MN50K8104      | MN51K8104                          | MN10K8105          | MN58K1102              | MN72A6473                     | MN72A2474                     |
| $1^1/2(38.1^m/m)$  | MN50K9101          | MN50K9104      | MN72K1104                          | MN10K9105          | MN58K3102              | MN72A7473                     | MN72A2474                     |
| TYPE BIT           |                    |                |                                    |                    |                        |                               |                               |
| $3/32(2.4^m/m)$    | MN52J3101          | MN52J3104      |                                    | MN52J3105          | MN57J2102              | MN72A1473                     | MN72A1474                     |
| $1/8(3.2^m/m)$     | MN52J4101          | MN52J4104      |                                    | MN26J4105          | MN57J3102              | MN72A1473                     | MN72A1474                     |
| $5/32(4^m/m)$      | MN52J5101          | MN52J5104      |                                    | MN52J5105          | MN57J4102              | MN72A1473                     | MN72A1474                     |
| $3/16(4.8^m/m)$    | MN52J6101          | MN52J6104      |                                    | MN26J6105          | MN57J5102              | MN72A1473                     | MN72A1474                     |
| $7/32(5.6^m/m)$    | MN52J7101          | MN52J7104      |                                    | MN52J7105          | MN57J6102              | MN72A1473                     | MN72A1474                     |
| $1/4(6.4^m/m)$     | MN52J8101          | MN52J8104      |                                    | MN26J8105          | MN57J7102              | MN72A1473                     | MN72A1474                     |
| $5/16(8^m/m)$      | MN52J9101          | MN52J9104      |                                    | MN26J9105          | MN57J9102              | MN72A2473                     | MN72A1474                     |
| $3/8(9.5^m/m)$     | MN52K1101          | MN52K1104      |                                    | MN26K1105          | MN57K1102              | MN72A2473                     | MN72A1474                     |
| $1/2(12.7^m/m)$    | MN52K3101          | MN52K3104      |                                    | MN26K3105          | MN57K3102              | MN72A3473                     | MN72A1474                     |
| $5/8(16^m/m)$      | MN52K4101          | MN52K4104      |                                    | MN52K4105          | MN57K5102              | MN72A3473                     | MN72A1474                     |
| $3/4(19.1^m/m)$    | MN52K5101          | MN52K5104      |                                    | MN52K5105          | MN57K6102              | MN72A4473                     | MN72A2474                     |
| 1(25.4^m/m)        | MN52K6101          | MN52K6104      |                                    | MN52K6105          | MN57K8102              | MN72A5473                     | MN72A2474                     |
| $1^1/8(28.5^m/m)$  | MN52K7101          | MN52K7104      |                                    | MN52K7105          | MN57K9102              | MN72A6473                     | MN72A2474                     |
| $1^1/4(31.8^m/m)$  | MN52K8101          | MN52K8104      |                                    | MN52K8105          | MN58K1102              | MN72A6473                     | MN72A2474                     |
| $1^1/2(38.1^m/m)$  | MN72K1101          | MN52K9104      |                                    | MN70J2105          | MN58K3102              | MN72A7473                     | MN72A2474                     |