



100% MADE IN ITALY

2014
SERIES



RASOR
www.rasor-cutters.com
RASOR ELETTROMECCANICA S.R.L.
Via V. Calciati 6 - 20161 Milan - Italy
ph. +39 02 66221231 - fax +39 02 66221293
Customer Service: info@rasor-cutters.com



AVAILABLE IN
LEFT VERSION
SW10SS

SW100S ELECTRIC CUTTING UNIT



1946

SW100S. Professional cutting unit for Textile & Technical Textile applications.



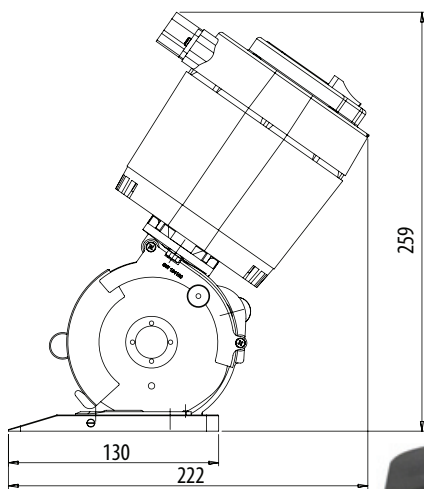
1946

ELECTRIC CUTTING UNIT SW100S

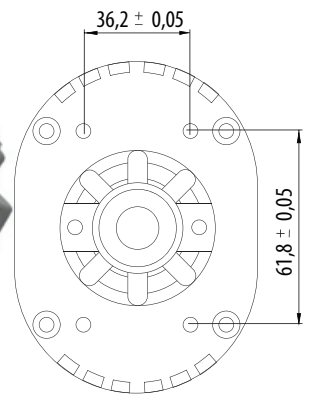
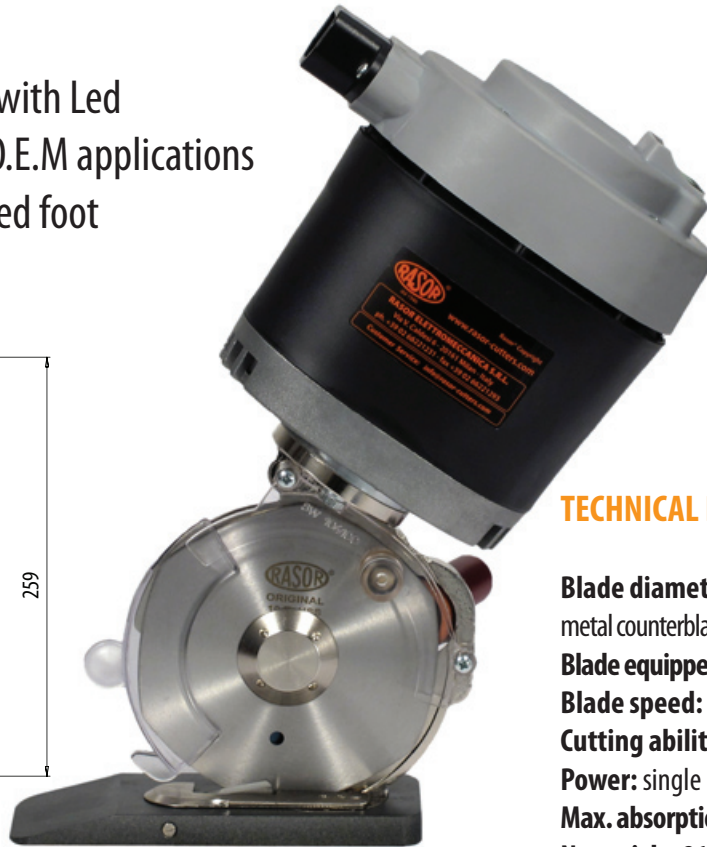


WHAT'S NEW:

New main power switch with Led
Easy fixing structure for O.E.M applications
Low-friction Teflon® coated foot



Dimension layout



Fixing layout

TECHNICAL DETAILS:

Blade diameter: 100 mm (4"), with hard metal counterblade

Blade equipped: 10EHSS, 6-edges, HSS steel

Blade speed: 850 r.p.m.

Cutting ability: up to 35 mm (1.4")

Power: single phase – 90 W

Max. absorption: 2 A

Net weight: 2650 g (with power supply cord)

Total weight (with packing box): 4750 g

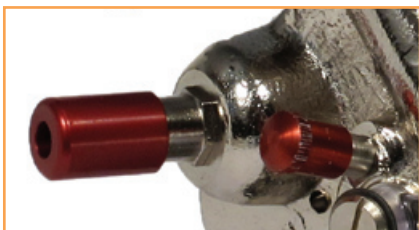
Electric cable length: 1.5 mt (with no plug)

Minimum brightness for working operations: LUX 200

Vibrations at start up: < 2.5 m/sec²

Temperature range: 0 – 55 C

Umidity range: 10 – 95% without condensate



BLADE AVAILABLE:

10EHSS, 100 mm 6-edges, HSS steel | **10SEXTG**, 100 mm 4-edges, EXTRA steel | **10CSW**, 100 mm circular, HSS steel | **10EHSSTF**, 100 mm 6-edges, HSS steel Teflon® coated | **10EMD**, 100 mm 6-edges, Carbide (Widia®)



FOLLOW US:



RASOR ELETTROMECCANICA SRL

Via Vincenzo Caldesi 6

20161 Milan · Italy

ph. +39 02 66 22 12 31

fax +39 02 66 22 12 93

info@rasor-cutters.com

www.rasor-cutters.com