

1295

1296

INSTRUCTION MANUAL

This instruction manual applies to machines  
from the following serial numbers onwards: 7 262 456  
and software version **0435/002**.



This instruction manual applies for all of the models and subclasses listed in **Chapter 3 Technical Data**.



The adjustment manual for the machine can be downloaded at no charge under [www.pfaff-industrial.de/de/service-support/downloads/technical](http://www.pfaff-industrial.de/de/service-support/downloads/technical). As an alternative to the Internet download, the adjustment manual can also be ordered as a hard copy under order no. **296-12-19 310/002**.

Reprinting, copying and translation - including excerpts - from PFAFF instruction books is permitted only with our prior approval and listing of sources.

**PFAFF Industriesysteme  
und Maschinen GmbH**

Hans-Geiger-Str. 12 - IG Nord  
D-67661 Kaiserslautern

Contents .....		Page
<b>1</b>	<b>Safety .....</b>	<b>5</b>
1.01	Directives .....	5
1.02	General safety instructions .....	5
1.03	Safety symbols .....	6
1.04	Special points of attention for the owner-operator .....	6
1.05	Operating personnel and technical staff .....	7
1.05.01	Operating personnel .....	7
1.05.02	Technical staff.....	7
1.06	Danger warnings.....	8
<b>2</b>	<b>Proper Use.....</b>	<b>9</b>
<b>3</b>	<b>Technical Data ▲.....</b>	<b>10</b>
3.01	PFAFF 1295.....	10
3.02	PFAFF 1296.....	11
<b>4</b>	<b>Disposal of the Machine.....</b>	<b>12</b>
<b>5</b>	<b>Transport, Packaging and Storage .....</b>	<b>13</b>
5.01	Transport to the customer's premises .....	13
5.02	Transport within the customer's premises.....	13
5.03	Disposal of the packaging materials .....	13
5.04	Storage .....	13
<b>6</b>	<b>Work Symbols.....</b>	<b>14</b>
<b>7</b>	<b>Operating Controls .....</b>	<b>15</b>
7.01	Main switch .....	15
7.02	Buttons on the machine head (only in machines with backtacking system -911/..) .....	15
7.03	Treadle .....	16
7.04	Hand lever to raise the sewing feet.....	16
7.05	Lever for stitch length regulation and reverse sewing .....	17
	(In machines without backtacking system -911/..).....	17
7.06	Lever for stitch length regulation (in machines with backtacking system -911/..).....	17
7.07	Top feed lift setting.....	18
7.08	Knee lever (in machines without backtacking system -911/..).....	18
7.08	Control panel (only in machines with P40 CD).....	19
<b>8</b>	<b>Set-up and Initial Commissioning .....</b>	<b>20</b>
8.01	Set-up .....	20
8.01.01	Setting the table height .....	20
8.01.02	Inserting the sewing machine into the stand .....	21
8.01.04	Tensioning the V-belt.....	22
8.01.06	Assembling the upper V-belt guard .....	23
8.01.07	Mounting the synchroniser .....	24

---

# Table of Contents

---

	Contents .....	Page
8.01.08	Assembling the anti-tipping device .....	24
8.02	Connecting the plug-in connections and ground cable .....	25
8.03	Assembling the reel stand .....	26
8.04	Initial start-up .....	27
8.05	Switching the machine on / off .....	27
8.06	Machine drive home position .....	27
<b>9</b>	<b>Set-up.....</b>	<b>28</b>
9.01	Inserting the needle .....	28
9.02	Winding the bobbin thread, adjusting the thread tension.....	29
9.03	Removing / inserting the bobbin case .....	30
9.04	Inserting the bobbin case / adjusting the bobbin thread tension .....	30
9.05	Threading the needle thread / adjusting the needle thread tension (with the PFAFF 1295) .....	31
9.07	Threading the needle thread / adjusting the needle thread tension (with the PFAFF 1296) .....	32
9.08	Setting the bobbin stitch counter .....	32
<b>10</b>	<b>Maintenance and Care.....</b>	<b>33</b>
10.01	Maintenance intervals.....	33
10.02	Cleaning the machine .....	33
10.03	General oiling .....	34
10.04	Oiling the hook.....	35
10.05	Oiling the front parts.....	35
10.06	Lubricating the top feed driving eccentric .....	36
10.07	Checking / setting the air pressure .....	36
10.08	Cleaning the maintenance unit air filter .....	37
10.09	Parameter settings .....	37
<b>11</b>	<b>Table Top.....</b>	<b>38</b>
11.01	Table top cutout.....	38
11.02	Table top assembly.....	39
<b>12</b>	<b>Wearing Parts.....</b>	<b>40</b>

## 1 Safety

### 1.01 Directives

The machine was built in compliance with the European regulations specified in the declaration of conformity and declaration of incorporation.

As a supplement to this instruction manual, please also observe the generally applicable, legal and other regulations and legislation – also in the country of use – and the valid environmental protection regulations! Always comply with the locally applicable regulations of the professional associations and other supervisory authorities!

### 1.02 General safety instructions

- The machine may only be operated after you have become acquainted with the associated instruction manual and only by operating personnel who have received appropriate training!
- Always read the safety instructions and the instruction manual of the motor manufacturer before starting up the machine!
- Always follow the hazard and safety instructions attached to the machine!
- The machine may only be operated for its intended purpose and only with the associated safety covers, while adhering to all the relevant safety requirements.
- The machine must always be disconnected from the power supply by pressing the main switch or pulling out the mains plug when sewing tools are replaced (such as the needle, sewing foot, needle plate and bobbin) and when threading, leaving the workstation, or performing maintenance!
- The daily maintenance work may only be carried out by suitably qualified personnel!
- Repairs and special maintenance work may only be carried out by technical staff or people with appropriate training!
- Work on electrical equipment may only be carried out by qualified technical staff!
- Work on parts and equipment under voltage is not permitted!
- Exceptions are regulated by the EN 50110 standards.
- Modifications and changes to the machine may only be made in compliance with all of the relevant safety requirements!
- Only those replacement parts approved by us for usage may be used for repairs! We warn you expressly that spare parts and accessories that are not supplied by us are also not tested and approved by us.  
Fitting or using these products may therefore have negative effects on features which depend on the machine design. We are not liable for any damage caused by the use of non-Pfaff parts.

## 1.03

### Safety symbols



Hazard point!  
Special points of attention.



Risk of injury to operating personnel or technical staff!



Electric voltage!  
Danger to operating personnel or technical staff



Danger of hands being crushed!  
Danger to operating personnel or technical staff



#### Caution!

Do not operate without finger guard and safety covers! Turn off the main switch before threading, changing the bobbin or needle, cleaning, etc!

## 1.04

### Special points of attention for the owner-operator

- This instruction manual is a part of the machine and must be made available to the operating personnel at all times. The instruction manual must have been read before the initial start-up.
- The operating personnel and technical staff must be instructed about the machine's safety covers and about safe working methods.
- The owner-operator may only operate the machine in a flawless condition.
- The owner-operator must ensure that no safety covers are removed or disabled.
- The owner-operator must ensure that only authorised persons work on the machine.

Additional information can be requested from the responsible sales centre.

## 1.05 Operating personnel and technical staff

### 1.05.01 Operating personnel

Operating personnel are persons responsible for equipping, operating and cleaning the machine and for fault clearance in the sewing area.

The operating personnel are obligated to comply with the following points:

- The safety instructions provided in the instruction manual must be followed for all work!
- Any work method jeopardising machine safety must be refrained from!
- Tight-fitting clothing must be worn. The wearing of jewellery such as chains and rings is prohibited!
- Care must be taken to ensure that no unauthorised persons are located in the machine's hazard zone!
- Any changes occurring on the machine which impair its safety must be reported to the owner-operator immediately!

### 1.05.02 Technical staff

Technical staff are persons with technical training in electricity/electronics and mechanics. They are responsible for lubricating, servicing, repairing and adjusting the machine.

The technical staff are obligated to comply with the following points:

- The safety instructions provided in the instruction manual must be followed for all work!
- Turn off the main switch and secure it against reactivation before starting any adjustment and repair work!
- Never work on live parts and equipment!  
Exceptions are regulated by the EN 50110 standards.
- Reattach the safety covers following repair and maintenance work!

## 1.06

### Danger warnings



A work area of 1 m must be kept free in front of and behind the machine to ensure unobstructed access at all times.



Do not reach into the needle range during the sewing operation!  
Risk of injury from the needle!



Do not allow any objects to be placed on the table during the adjustment work!  
The objects could become jammed or be slung away!  
Risk of injury from parts flying around!

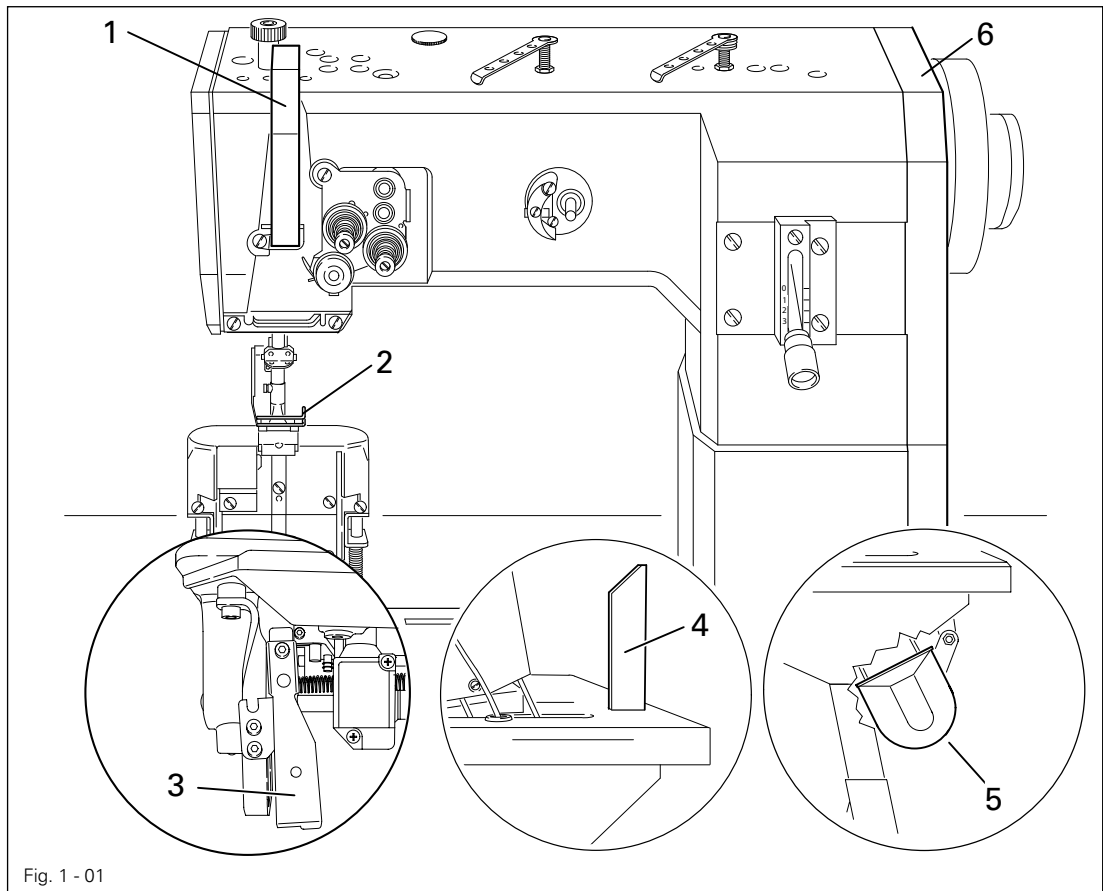


Fig. 1 - 01



Do not operate the machine without the take-up lever guard 1!  
Risk of injury due to the motion of the take-up lever!



Do not operate the machine without the finger guard 2!  
Risk of injury from the needle!



Do not operate the machine without the anti-tipping device 3!  
Risk of injury by crushing between the sewing head and the table top!



Do not operate the machine without the support 4! Risk of damage due to the top-heavy sewing head!  
Machine can tip over backwards when moving it!



Do not operate the machine without the belt guard 5 and 6!  
Risk of injury due to the rotating driving belt!



2      **Proper Use**

The **PFAFF 1295** is a single needle lockstitch post-bed sewing machine with bottom feed, top feed and needle feed and large vertical hook.

The **PFAFF 1294** is a two-needle lockstitch post-bed sewing machine with bottom feed, top feed and needle feed and large vertical hook.

The machines are used for sewing lockstitch seams in the clothing industry.



Any usage not approved by the manufacturer is deemed misuse! The manufacturer shall assume no liability for damage caused by misuse! Proper use also includes compliance with the operating, maintenance, adjustment and repair measures specified by the manufacturer!

## 3 Technical Data ▲

### 3.01 PFAFF 1295

Stitch type:.....301 (lockstitch)

Needle system:..... 134-35

Model CN; CN11:.....for the machining of medium-heavy materials

Needle size in 1/100 mm:

Model CN; CN11:..... 120 - 150

Stitch length max:

Model CN.....6.0 mm

Model CN11.....11.0 mm

Speed max.:

Top feed lift	Max. rpm with stitch length CN	Max. rpm with stitch length CN11
up to 5.5 mm	1900	1000
over 5.5 up to 7.0 mm	1800	1000

Clearance beneath the sewing foot:.....10 mm

Passage width: .....265 mm

Clearance height: .....115 mm

Post height.....165 mm

Bed plate dimensions: ..... 518 x 177

Sewing head dimensions:

Length:.....approx. 530 mm

Width: .....approx. 177 mm

Height ( above table ):.....approx. 440 mm

Motor data: ..... see motor specification plate

Working air pressure..... 6 bar

Air consumption..... ~0.8 l / working cycle

Noise data:

Emissions sound pressure level in the workplace at  $n = 1600 \text{ min}^{-1}$ :.....  $L_{pA} = 77 \text{ dB(A)}$  ■

(Noise measurement in accordance with DIN 45 635-48-A-1, ISO 11204, ISO 3744, ISO 4871)

Net weight of sewing head: ..... approx. 57 kg

Gross weight of sewing head:..... approx. 67 kg

▲ Subject to alterations.

■  $K_{pA} = 2,5 \text{ dB}$

3.02 PFAFF 1296

Stitch type:..... 301 (lockstitch)

Needle system:..... 134-35

Model CN; CN11:.....for the machining of medium-heavy materials

Needle size in 1/100 mm:

Model CN; CN11:..... 120 - 150

Stitch length max:

Model CN:.....6.0 mm

Model CN11:.....11.0 mm

Speed max.:

Top feed lift	Max. rpm with stitch lengths up to 6 mm and needle gauges up to 10 mm	Max. rpm with stitch lengths up to 6 mm and needle gauges over 10 mm	Max. rpm with stitch length CN11 needle gauges up to 10 mm	Max. rpm with stitch length CN11 needle gauges over 10 mm
up to 5.5 mm	1800	1600	1000	1000
over 5.5 mm	1600	1400	1000	1000

Clearance beneath the sewing foot:..... 10 mm

Passage width: ..... 265 mm

Clearance height: ..... 115 mm

Post height:..... 165 mm

Bed plate dimensions: ..... 518 x 177

Sewing head dimensions:

Length:..... approx. 570 mm

Width: ..... approx. 177 mm

Height (above table):..... approx. 440 mm

Motor data: ..... see motor specification plate

Working air pressure..... 6 bar

Air consumption..... ~0.8 l / working cycle

Noise data:

Emissions sound pressure level in the workplace at  $n = 1500 \text{ min}^{-1}$ :.....  $L_{pA} = 76 \text{ dB(A)}$  ■

(Noise measurement in accordance with DIN 45 635-48-A-1, ISO 11204, ISO 3744, ISO 4871)

Net weight of sewing head: ..... approx. 59 kg

Gross weight of sewing head: ..... approx. 69 kg

▲ Subject to alterations.

■  $K_{pA} = 2,5 \text{ dB}$

### 4 Disposal of the Machine

- It is up to the customer to dispose of the machine properly.
- The materials used for the machine include steel, aluminium, brass and various plastics. The electrical equipment consists of plastics and copper.
- The machine must be disposed of in accordance with the locally valid environmental protection regulations, with a specialised company being contracted if necessary.



Please ensure that parts coated with lubricants are disposed of separately in accordance with the locally valid environmental protection regulations!

### **5 Transport, Packaging and Storage**

#### **5.01 Transport to the customer's premises**

All machines are completely packed for delivery.

#### **5.02 Transport within the customer's premises**

The manufacturer assumes no liability for transport within the customer's premises or to the individual usage sites. Please ensure that the machines are only transported in a vertical position.

#### **5.03 Disposal of the packaging materials**

The packaging materials of these machines consists of paper, cardboard and VCI fleece. It is up to the customer to dispose of the packaging properly.

#### **5.04 Storage**

The machine can be stored for up to **6** months when not in use. It must then be protected from dirt and moisture. For longer storage periods, the machine's single components, especially its sliding surfaces, must be protected against corrosion, e.g. by an oil film.

## 6 Work Symbols

Activities to be performed or important information in this instruction manual are emphasised by symbols. The symbols used have the following meaning:



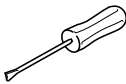
Note, information



Cleaning, care



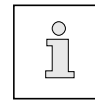
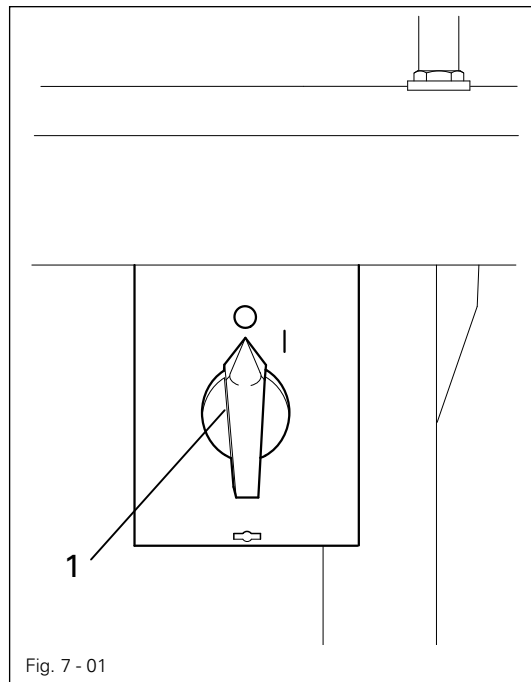
Lubrication



Maintenance, repairs, adjustment, service work  
(only to be carried out by technical staff)

## 7 Operating Controls

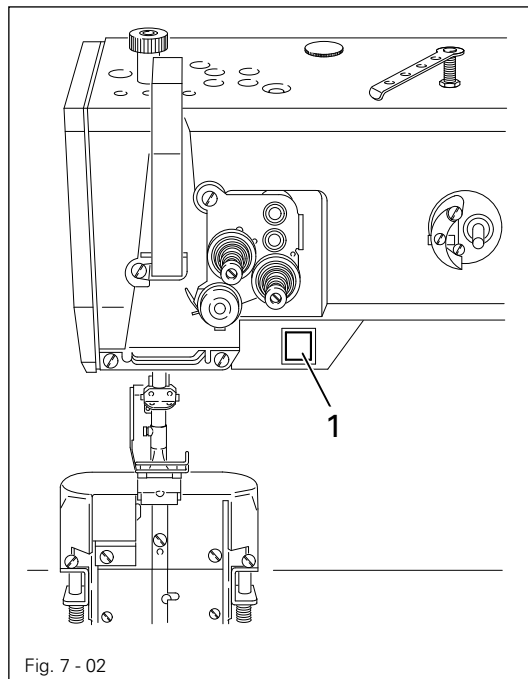
### 7.01 Main switch



Before switching on the machine, raise the take-up lever as far as possible.

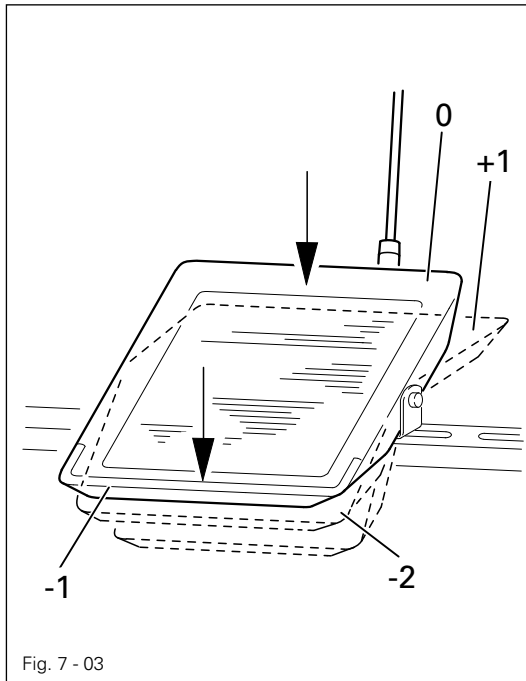
- Turning the main switch 1 switches the machine on and off.

### 7.02 Buttons on the machine head (only in machines with backtacking system -911/..)



- The machine sews backwards as long as the button 1 is pressed during the sewing operation.

## 7.03 Treadle



- With the main switch turned on

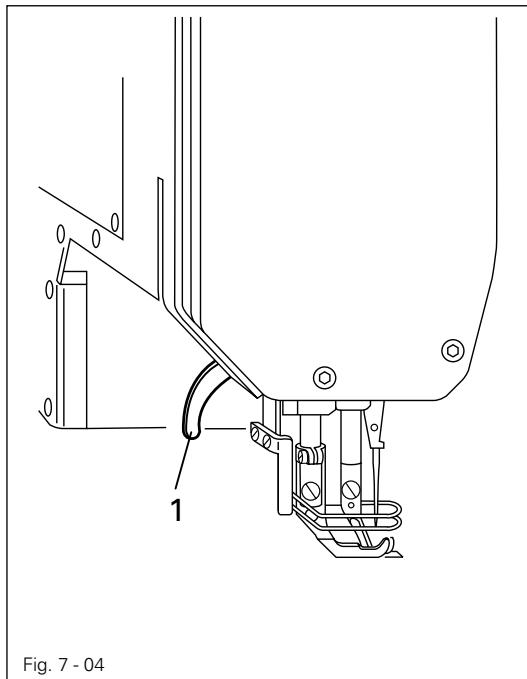
### In machines without backtacking system -911/..

- 0 = Neutral position
- +1 = Sewing
- 1 = Trim thread/  
(in machines with thread trimmer -900/56)

### In machines with backtacking system -911/..

- 0 = Neutral position
- +1 = Sewing
- 1 = Raise sewing foot
- 2 = Trim thread/  
(in machines with thread trimmer -900/56)

## 7.04 Hand lever to raise the sewing feet



- Bringing the hand lever 1 to the top position raises the sewing feet.



## 7.05 Lever for stitch length regulation and reverse sewing

(In machines without backtacking system -911/..)

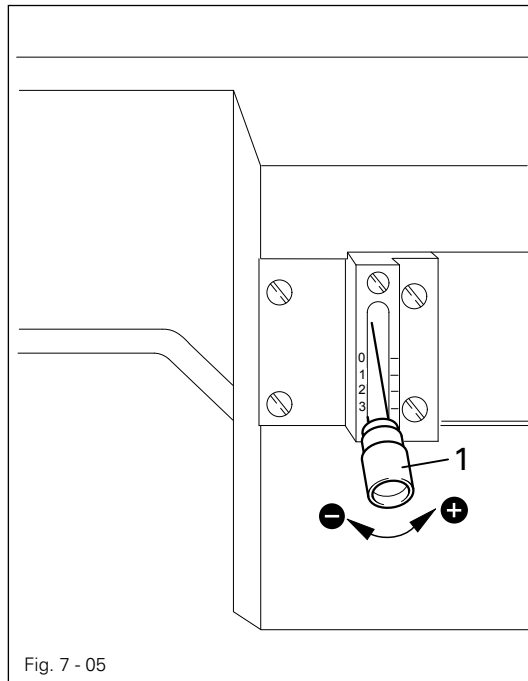


Fig. 7 - 05

- Turning the knurled thumb screw on lever 1 sets the stitch length.
- You can sew in reverse by pressing the lever 1 upwards until you feel it stop.

## 7.06 Lever for stitch length regulation

(in machines with backtacking system -911/..)

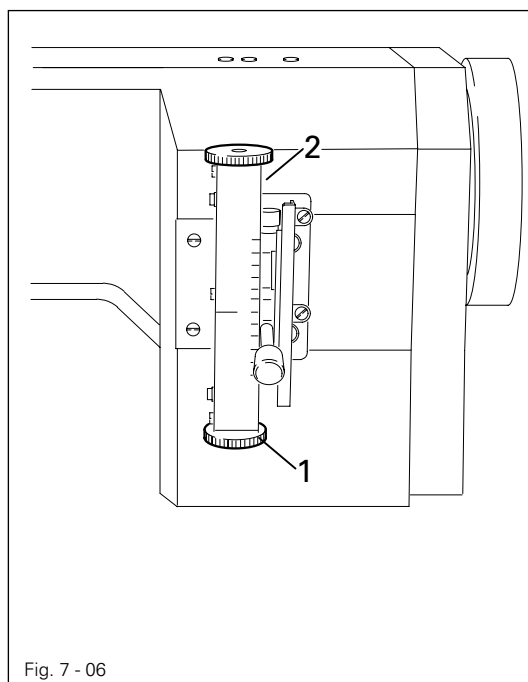
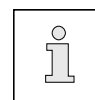
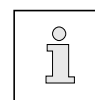


Fig. 7 - 06

- Turning the knurled thumb screw 1 sets the stitch length for the forward switch
- Turning the knurled thumb screw 2 sets the stitch length for the reverse stitch.

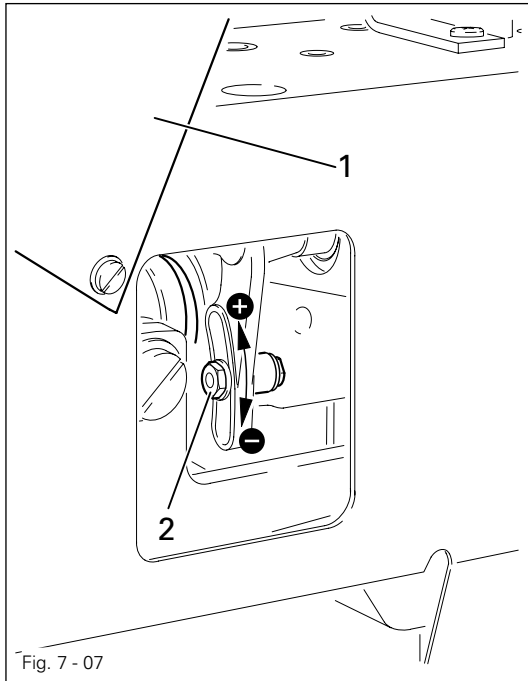


The reverse stitch can be set to any length irrespective of the forward stitch.



Please refer to the separate instruction manual for the drive for the setting options for the automatic front and end backtack.

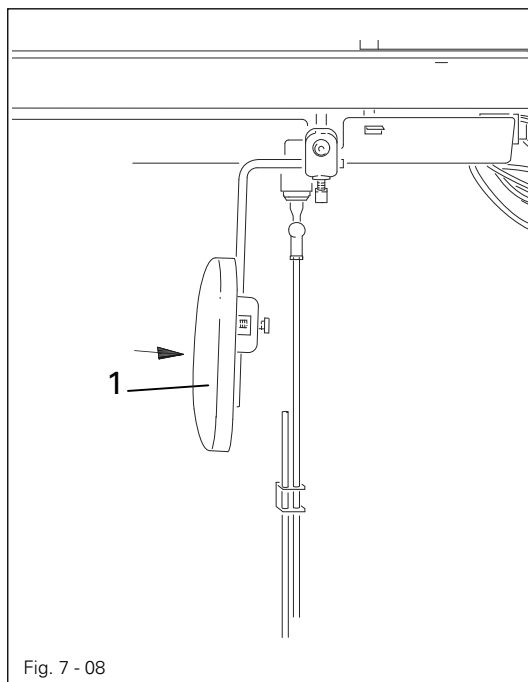
## 7.07 Top feed lift setting



Switch off the machine!  
Risk of injury due to accidental machine start-up!

- Open the cover 1 on the back of the machine, loosen the nut 2 and move accordingly.

## 7.08 Knee lever (in machines without backtacking system -911/..)



- Turning the knee lever 1 in the direction shown by the arrow raises the sewing foot.

### 7.08 **Control panel** (only in machines with P40 CD)

The description can be found in the instruction manual for the drive.

## 8 Set-up and Initial Commissioning



The machine may only be set up and started up by qualified personnel! All of the relevant safety regulations must always be complied with in this process! If the machine was delivered without a table, then the stand and the table top provided must safely support the weight of the machine and its motor. Adequate stability of the stand must be guaranteed, even during the sewing operations.

### 8.01 Set-up

Suitable electrical supply connections must be provided at the erection site, see **Chapter 3 Technical data**. The erection site must also have a firm and level subsurface and adequate lighting.



The table top is lowered for packaging purposes. The adjustment of the table height is described below.

#### 8.01.01 Setting the table height

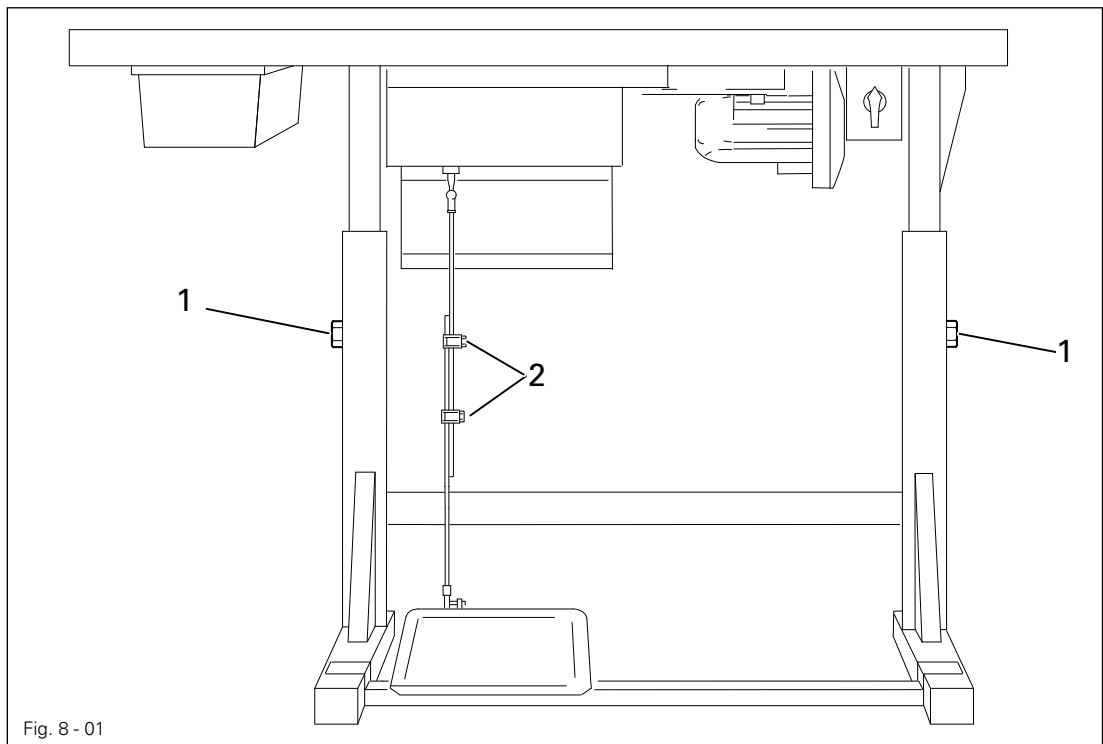


Fig. 8 - 01

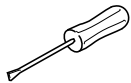
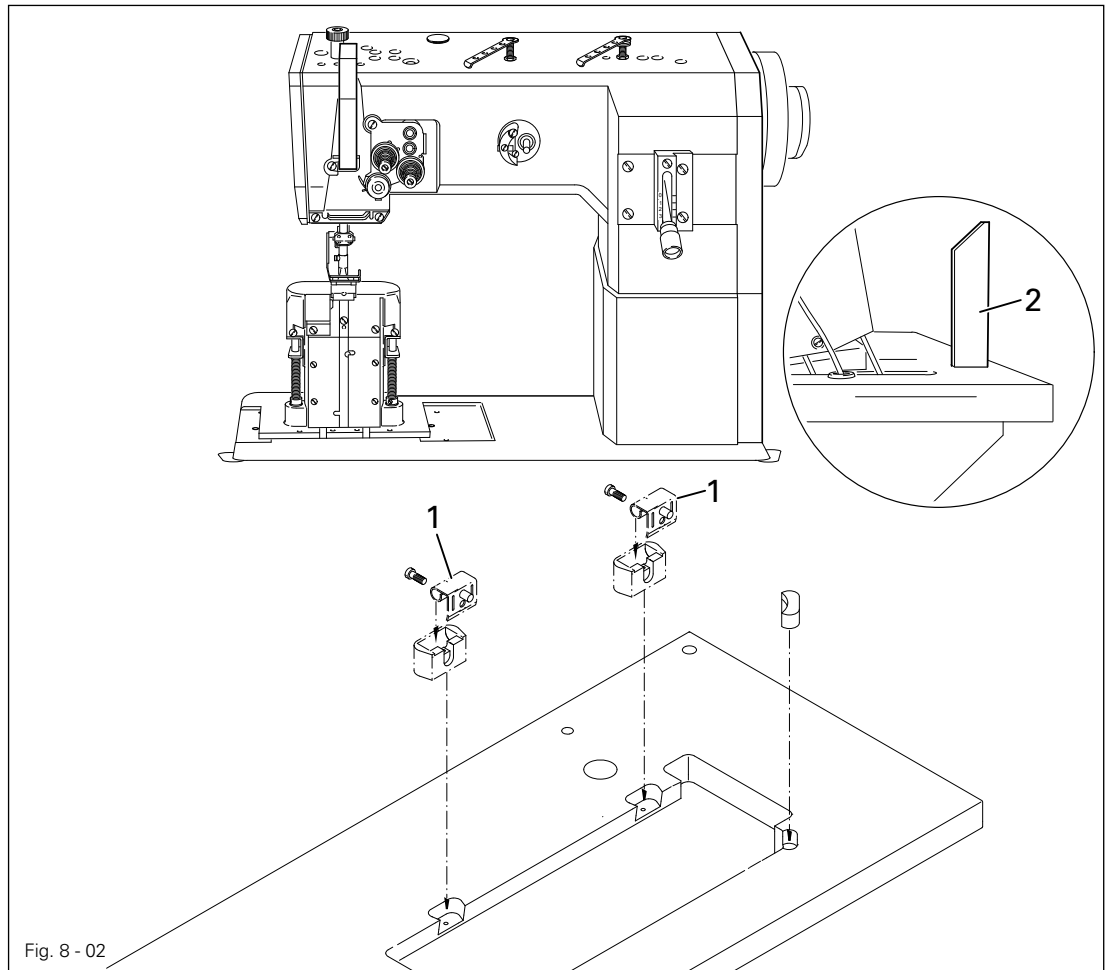
- Loosen the screws 1 and 2.
- Move the table top to the desired working height by pulling it out and pushing it in and align the table top horizontally.



Adjust the stand on both sides evenly to prevent it tilting.

- The stand must have all four feet firmly on the ground to make sure it is positioned securely.
- Firmly tighten the screws 1.
- Adjust and tighten the desired treadle position on the screws 2.

## 8.01.02 Inserting the sewing machine into the stand



- The hinge 1 is screwed to the sewing head base plate.
- Insert the sewing machine into the table top.
- Insert the sewing head support 2 into the table top hole.

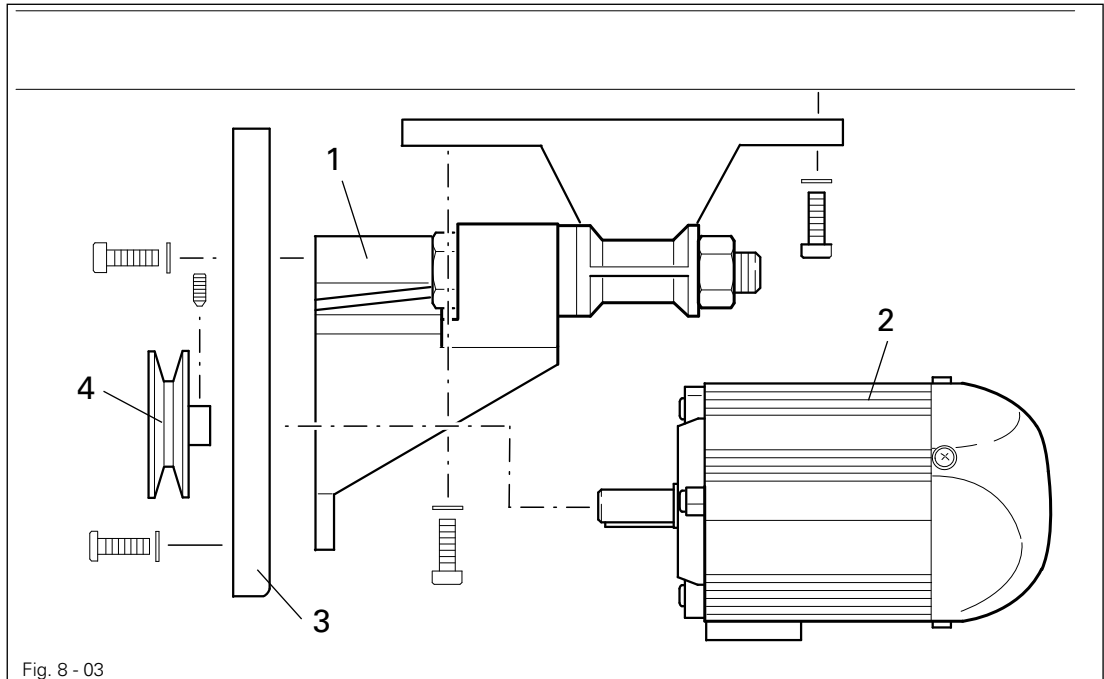


Do not operate the machine without the support 2! Risk of damage due to the top-heavy sewing head!

Machine can tip over backwards when moving it!

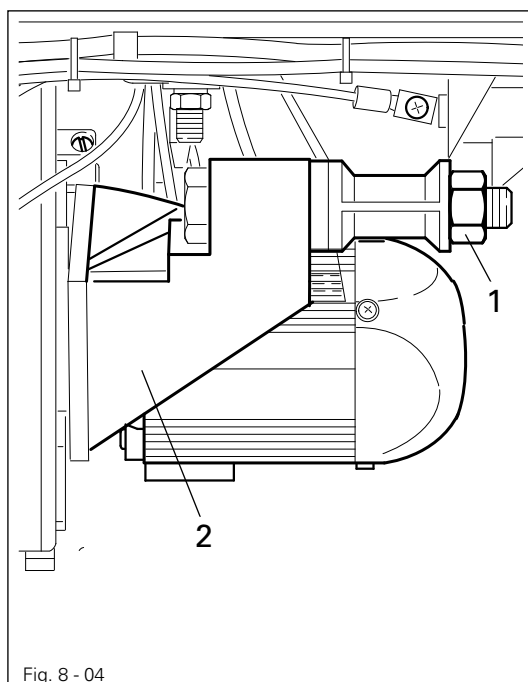
# Set-up and Initial Commissioning

## 8.01.03 Assembling the motor



- Assemble the motor bracket 1, motor 2, belt guard bracket 3 and belt pulley 4 as shown in Fig. 8-03.

## 8.01.04 Tensioning the V-belt



- Fit the V-belt
- Loosen the nut 1 and tension the V-belt by turning the motor bracket 2 out of position.
- Tighten the nut 1.

## 8.01.05 Mounting the lower V-belt pulley

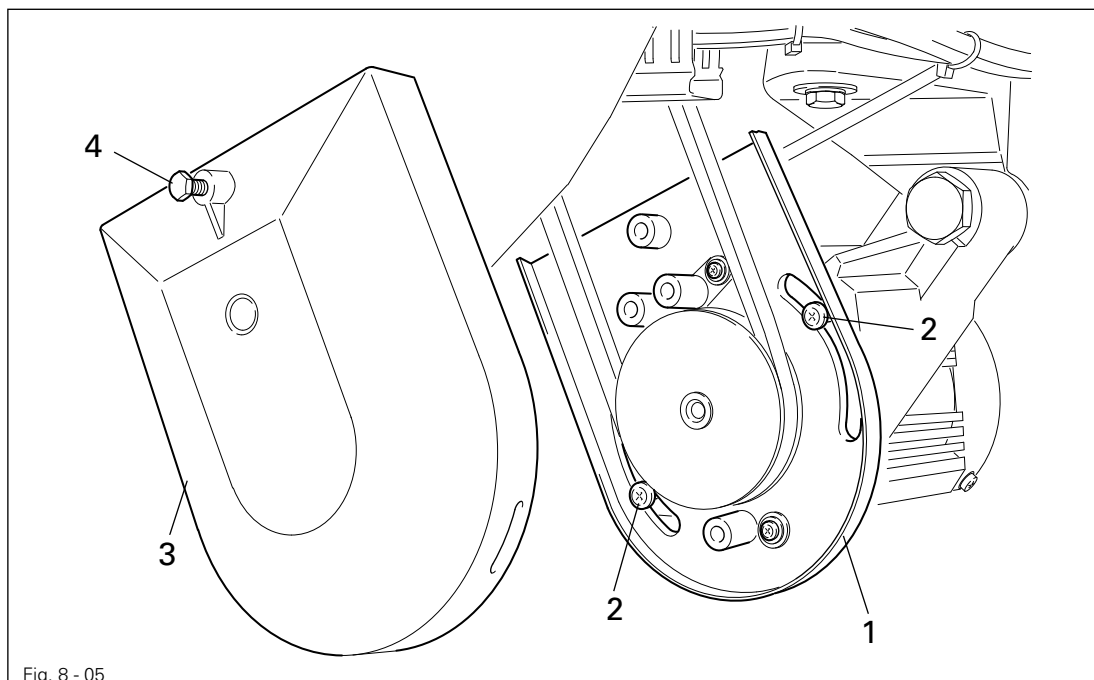


Fig. 8 - 05

- Loosen the screws 2 and align the belt guard bracket 1 so that the motor pulley and V-belt run freely.
- Use screw 4 to tighten the screws 2 and the belt guard 3.

## 8.01.06 Assembling the upper V-belt guard

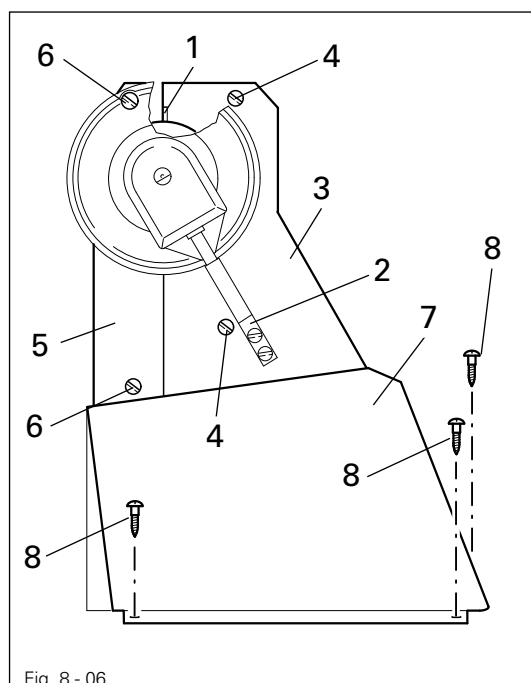
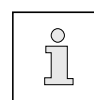


Fig. 8 - 06

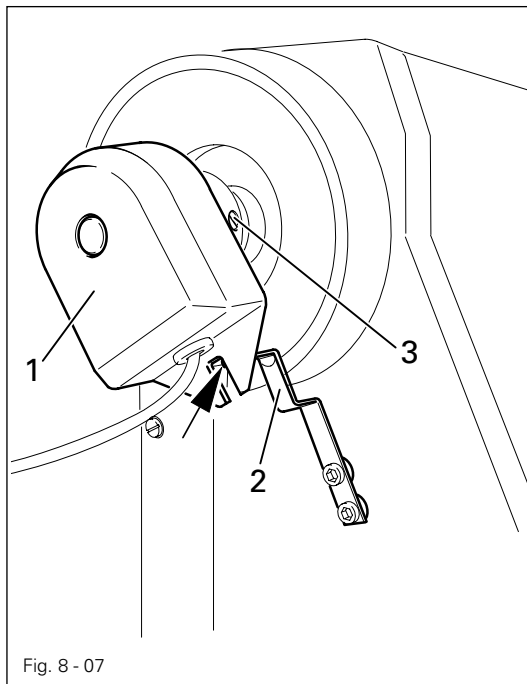


The corner 1 of the belt guard part 3 should be broken off when using a large handwheel.

- Screw the position finger 2 to the belt guard part 3
- Use the screws 4 to screw on the belt guard part 3
- Use the screws 6 to screw on the belt guard part 5
- Use the screws 8 to screw on the belt guard part 7

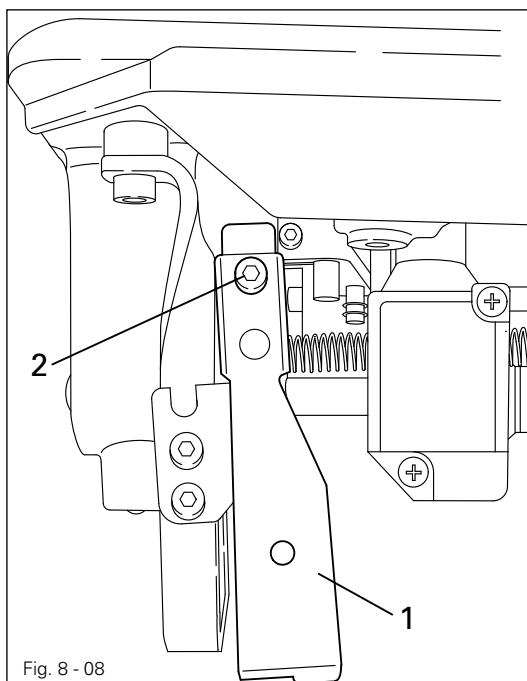
# Set-up and Initial Commissioning

## 8.01.07 Mounting the synchroniser



- Slide the synchroniser 1 onto the shaft so that the position finger 2 is positioned in the synchroniser groove (see arrow).
- Tighten the screws 3.
- Insert the synchroniser plug on the control box (see Chapter 8.02 Connecting the plug-in connections and ground cable).
- Adjust the synchroniser, this must be learned with parameter **t0819** in machines with gear reduction. The needle reference position **t0810** must be reset after an update. An adjustment of the treadle **t0820** must also be carried out, see Chapter 4.4 Positions of the drive service manual.

## 8.01.08 Assembling the anti-tipping device



Switch off the machine!

Risk of injury due to accidental machine start-up!

- Screw on the anti-tipping device 1 included in the accessories with the screw 2.



Do not operate the machine without the anti-tipping device 1!

Risk of injury by crushing between the sewing head and the table top!



## 8.02 Connecting the plug-in connections and ground cable

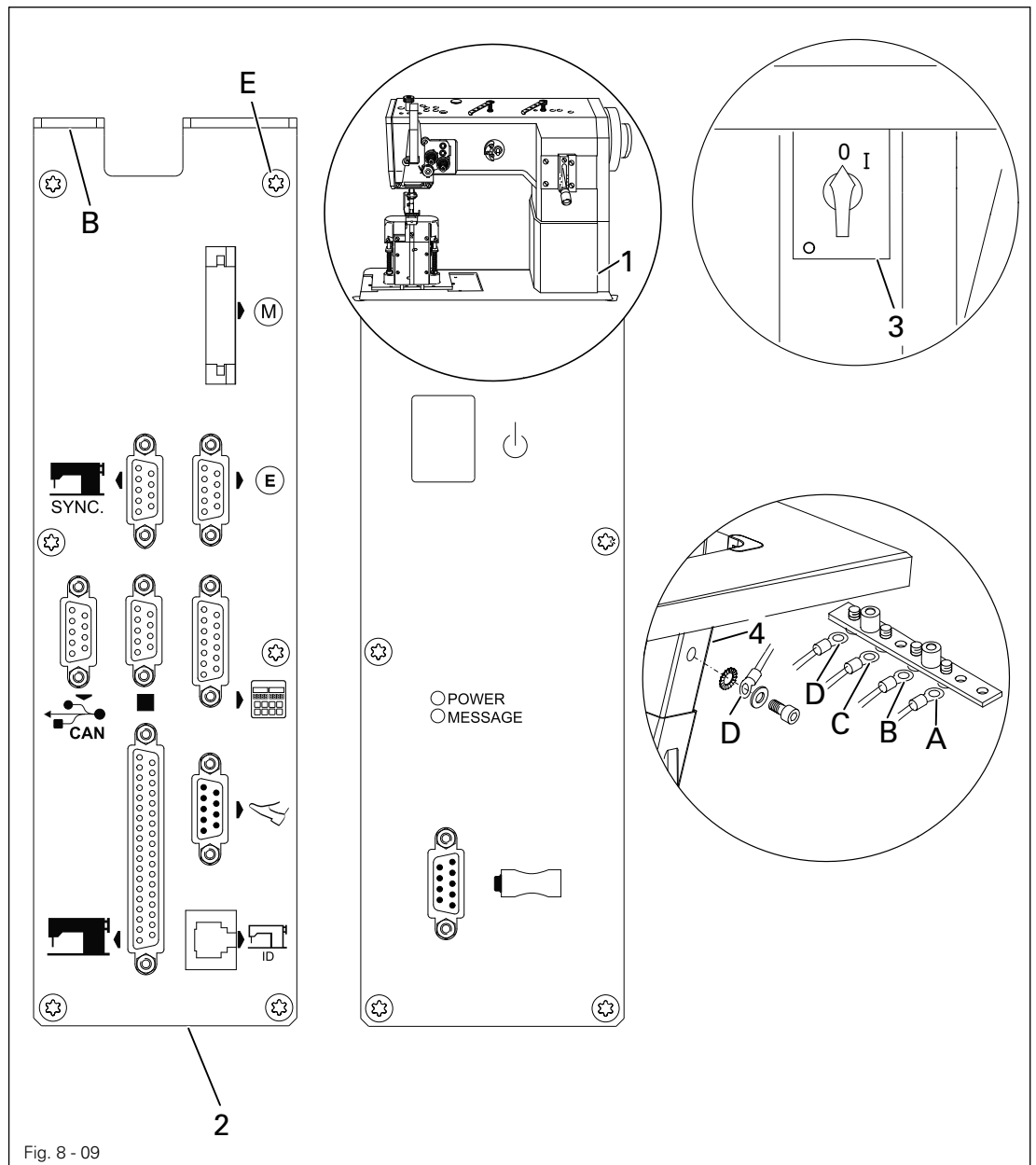
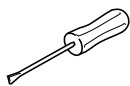


Fig. 8 - 09



- Insert all plugs on the control box 2 in accordance with their designation.
- Insert the "motor" to the bushing E and the bushing M.

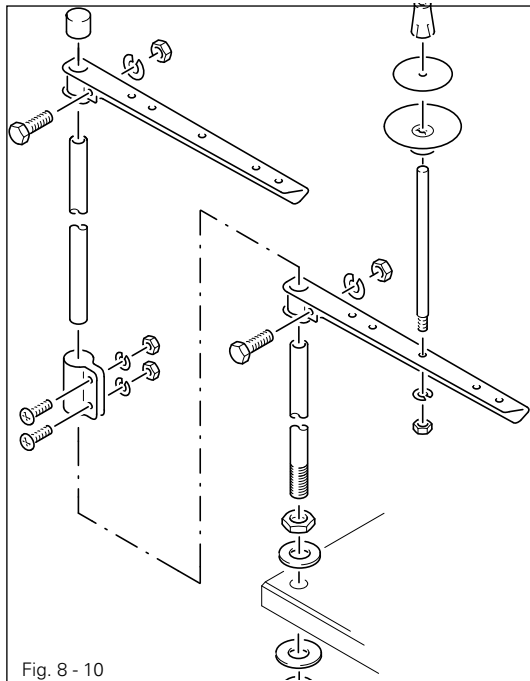


### Caution

Inserting the plug incorrectly can damage the control unit!

- Attach the following ground cables in order to discharge static electricity.
- Securely attach the ground cable from the sewing head 1 to ground point A.
- Securely attach the ground cable from control point B to ground point B.
- Securely attach the ground cable from the main switch 3 to ground point C.
- Securely attach the ground cable from the stand 4 to ground point D.
- Securely attach the ground cable from the motor cable M to ground point E.

### 8.03 Assembling the reel stand



- Assemble the reel stand as shown in the adjacent illustration.
- Then insert the stand into the hole in the table top and secure it with the enclosed nuts.

### 8.04 Initial start-up

- Inspect the machine, particularly the electric cables, for any damage.
- Clean the machine thoroughly and then oil it, see also **Chapter 10 Maintenance and Care**.
- Connect the machine to the compressed air system. The manometer must show a pressure of **6 bar**. Set this value if required (see **Chapter 10.07 Checking / setting the air pressure**).
- Arrange for technical staff to check whether the machine's motor may be operated at the existing mains voltage and whether it is connected properly.



Never operate the machine if there are any differences.



The machine must only be connected to a grounded socket!



Arrange for the home position of the machine drive to be verified by certified technicians before the initial start-up! Have these settings carried out where required (see the **drive service manual in Chapter 4.4**.)

### 8.05 Switching the machine on / off

- Switch the machine on (see **Chapter 7.01 Main switch**).

### 8.06 Machine drive home position

- See **Chapter 4.4** of the drive service manual

9

## Set-up



Observe and comply with all regulations and instructions in this instruction manual. Pay particular attention to all safety regulations!



All set-up work may only be carried out by appropriately instructed personnel. Disconnect the machine from the electricity mains for all set-up work by operating the main switch or by removing the mains plug!

9.01

## Inserting the needle

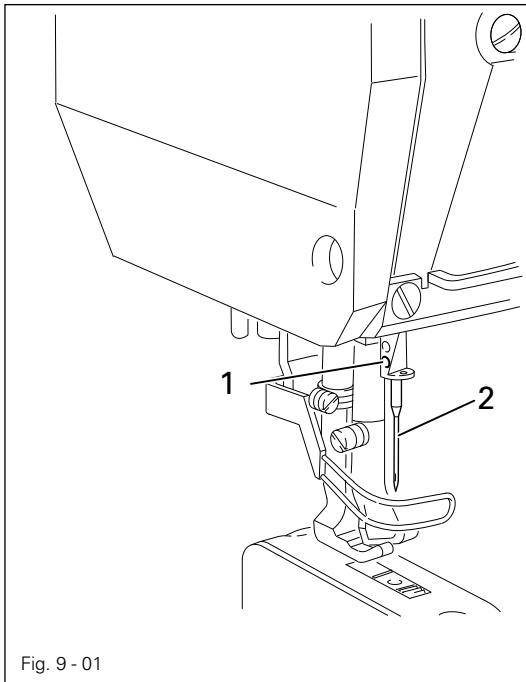


Fig. 9 - 01

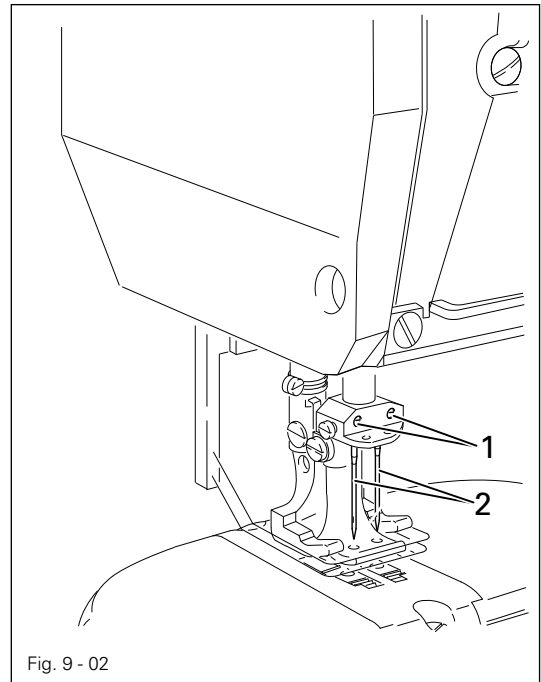


Fig. 9 - 02



Switch off the machine!  
Risk of injury due to accidental machine start-up!



Only use needles of the system intended for the machine, see **Chapter 3 Technical Data!**

### PFAFF 1245

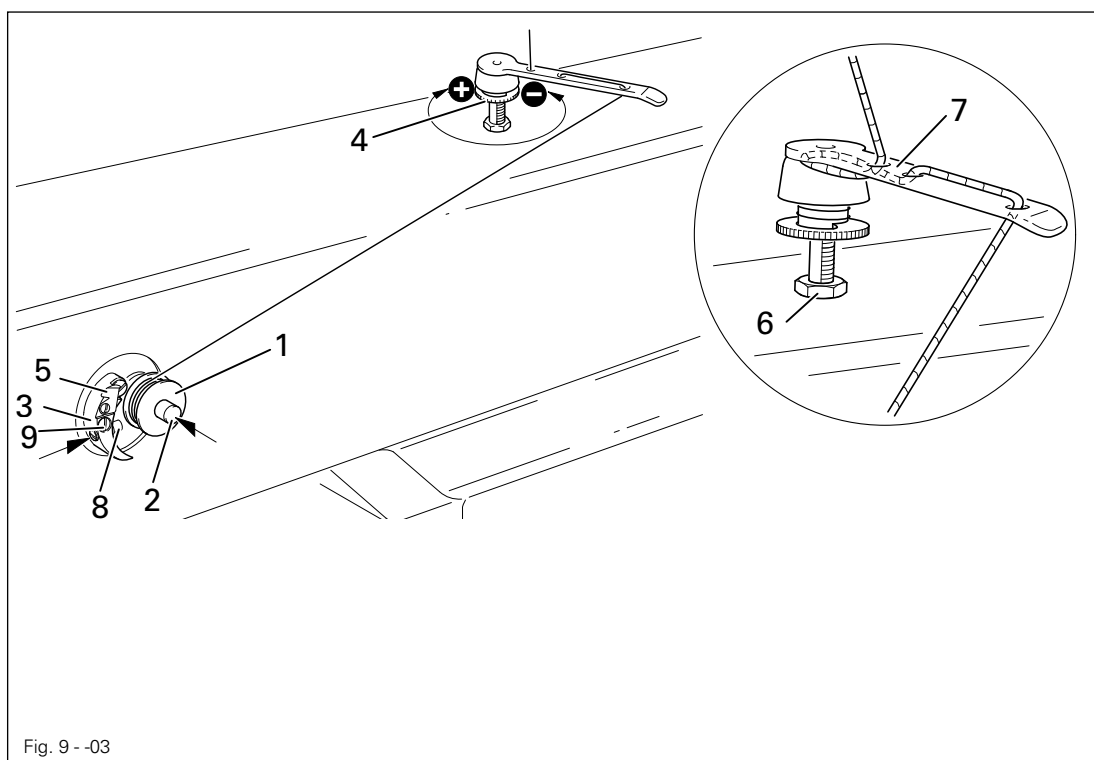
- Bring the needle bar to the top position.
- Loosen the screw 1 and insert the needle 2 until you feel it stop. The long groove must point to the left.
- Tighten the screw 1.

### PFAFF 1246

- Bring the needle bar to the top position.
- Loosen the screws 1.
- Loosen the screws 1 and insert the needles 2 until you feel them stop. The long groove of the left needle must point to the right and that of the right needle must point to the left.
- Tighten the screws 1.

## 9.02

## Winding the bobbin thread, adjusting the thread tension



- Fit the empty bobbin 1 onto the bobbin winder spindle 2 with the rest thread chamber on the outside.
- Thread in the thread as shown in Fig. 9 - 03 and wind it round the bobbin 1 a few times in a clockwise direction.
- Switch on the bobbin winder by pressing the bobbin winder spindle 2 and the lever 3 simultaneously.



The bobbin fills up during sewing.

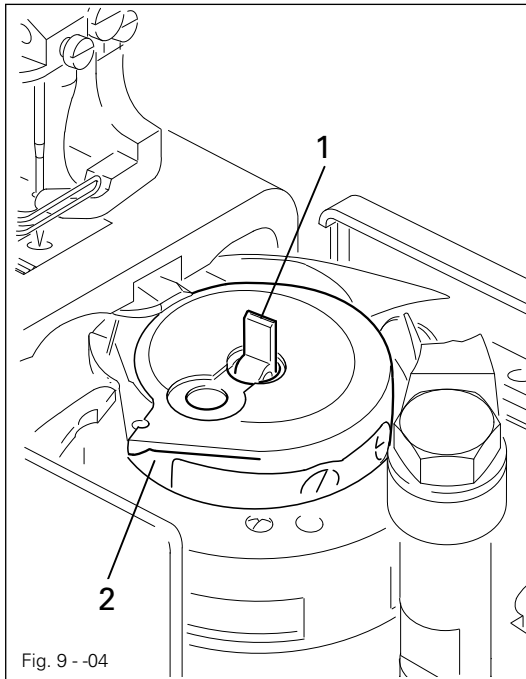


If the machine is only run for bobbin winding (without sewing), a bobbin case must be fitted in the hook.

Otherwise a jammed thread may damage the hook!

- The tension of the thread on the bobbin 1 can be adjusted with the knurled thumb screw 4.
- The bobbin winder stops automatically when the bobbin 1 is sufficiently full.
- Remove the filled bobbin 1 and cut the thread with the knife 5.
- The fill amount of the bobbin 1 can be adjusted with the pin 8 (loosen the screw 9 and tighten it again) If the thread is wound unevenly:
  - Loosen the nut 6.
  - Turn the thread guide 7 accordingly.
  - Tighten the nut 6.

## 9.03 Removing / inserting the bobbin case



Switch off the machine!  
Risk of injury due to accidental machine start-up!

### Removing the bobbin case:

- Bring the take-up lever to its top position.
- Open the post cover, raise the lever 1 and remove the bobbin case 2.

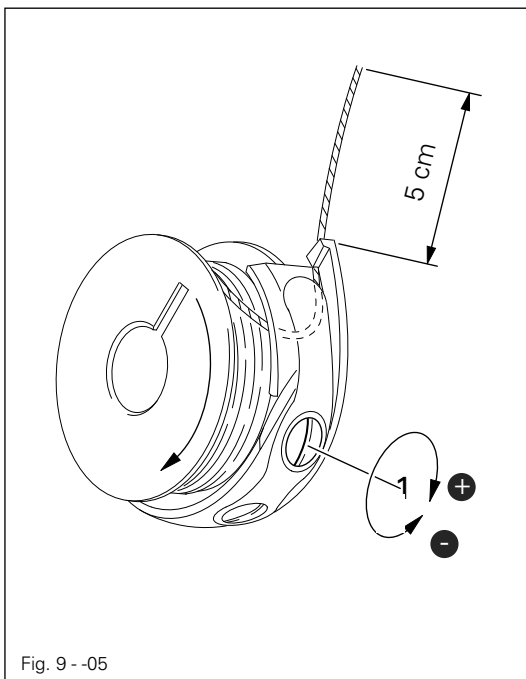
### Inserting the bobbin case:

- Press the bobbin case 2 until you feel it snap into the bobbin case base.
- Move the lever 1 and close the post cover.



Do not operate the machine with an open post cover!  
Risk of injury due to moving parts!

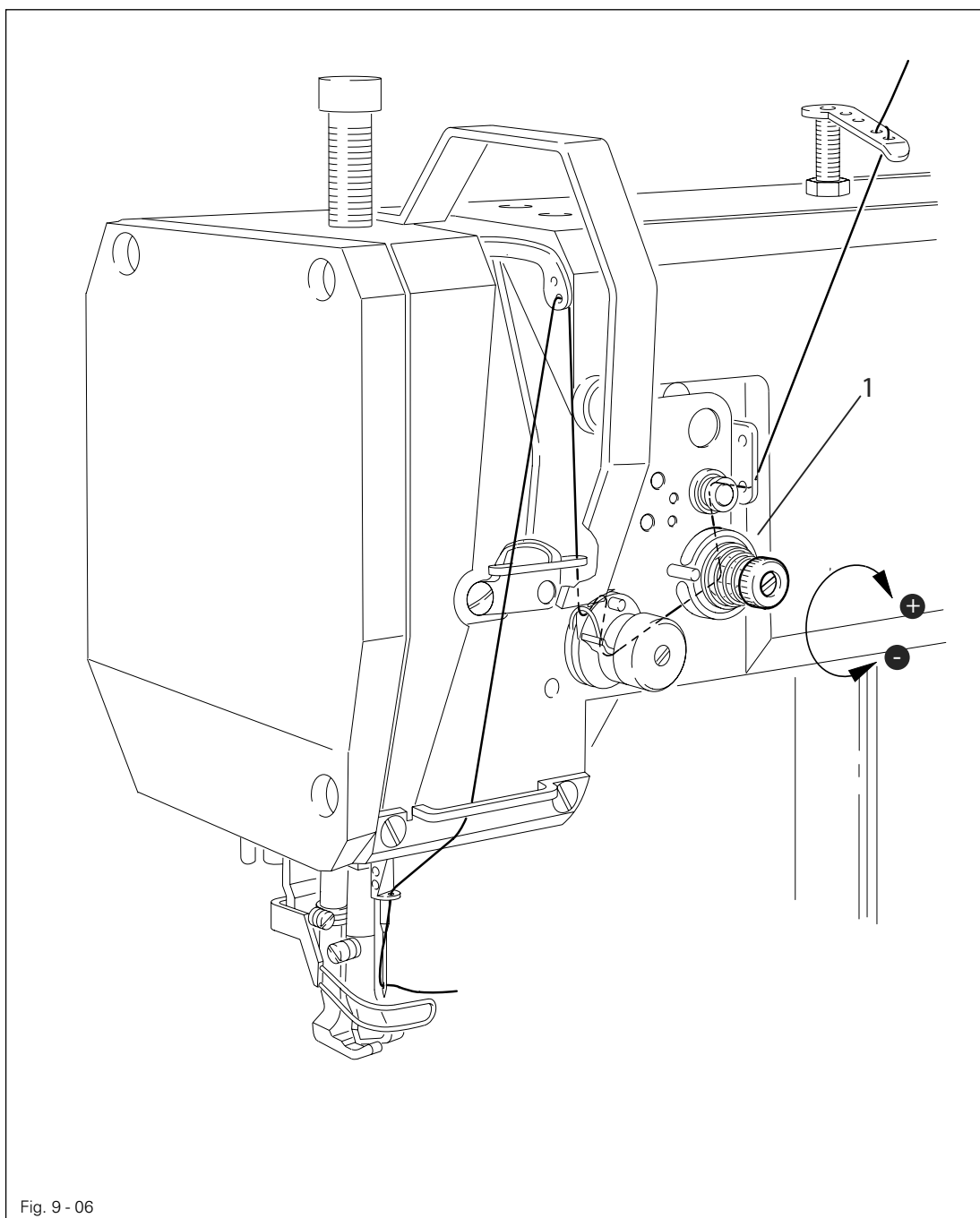
## 9.04 Inserting the bobbin case / adjusting the bobbin thread tension



Switch off the machine!  
Risk of injury due to accidental machine start-up!

- Insert the bobbin as shown in Fig. 9 - 05.
- When the thread is drawn off, the bobbin must turn in the direction shown by the arrows.
- Adjust the thread tension by turning the screw 1.

## 9.05 Threading the needle thread / adjusting the needle thread tension (with the PFAFF 1295)



Switch off the machine!  
Risk of injury due to accidental machine start-up!

- Thread the needle thread as shown in Fig. 9 - 06. Please ensure that the needle is threaded from the left.
- Adjust the needle thread tension by turning the knurled thumb screw 1.

## 9.07

### Threading the needle thread / adjusting the needle thread tension (with the PFAFF 1296)

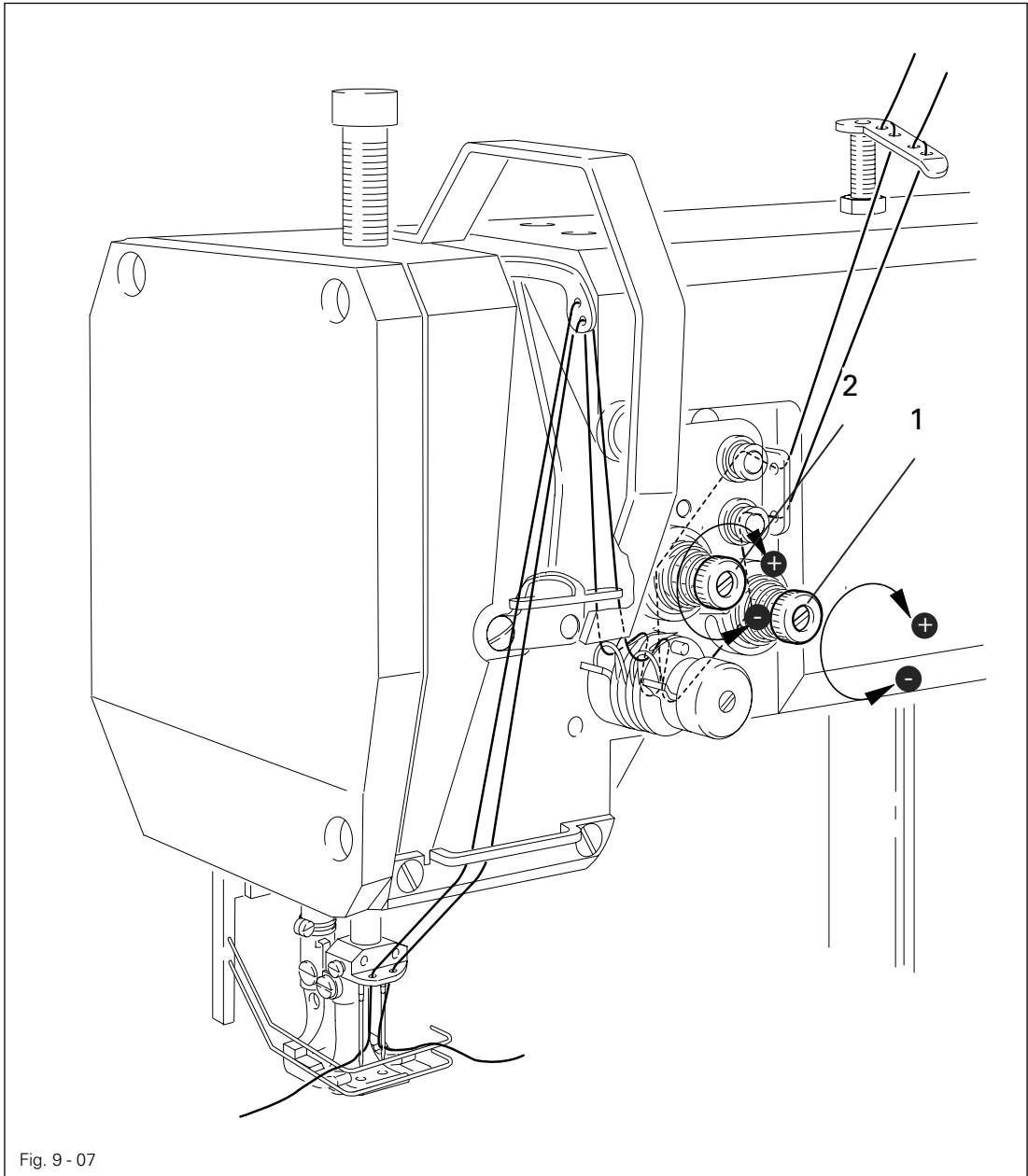


Fig. 9 - 07



Switch off the machine!  
Risk of injury due to accidental machine start-up!

- Thread the needle thread as shown in Fig. 9 - 07. Please ensure that the right needle is threaded from the left and the left needle is threaded from the right.
- Adjust the needle thread tension by turning the knurled thumb screw 1 (right needle or 2 left needles).

## 9.08

### Setting the bobbin stitch counter

For the description please refer to the separate instruction manual for the drive, see Chapter 5.3.1 Setting the bobbin stitch counter.



10 Maintenance and Care

10.01 Maintenance intervals

Cleaning .....	daily, several times if in continuous operation
Clean the hook area .....	daily, several times if in continuous operation
General oiling .....	twice a week
Oil the hook .....	daily, before start-up
Oil the front parts.....	twice a week
Checking / setting the air pressure .....	daily, before start-up
Cleaning the maintenance unit air filter .....	as needed
Lubricate the top feed driving eccentric .....	once as year



These maintenance intervals are based on an average running time of a single shift production shop. Shorter maintenance intervals are recommended for increased running times.

10.02 Cleaning the machine

The required cleaning cycle for the machine depends on the following factors:

- Single or multi-shift operation
- Dust formation caused by the workpieces

Optimal cleaning instructions can therefore only be determined on a case-by-case basis.



Disconnect the machine from the electricity mains for all cleaning work by shutting off the main switch or removing the mains plug! Risk of injury due to accidental machine start-up!

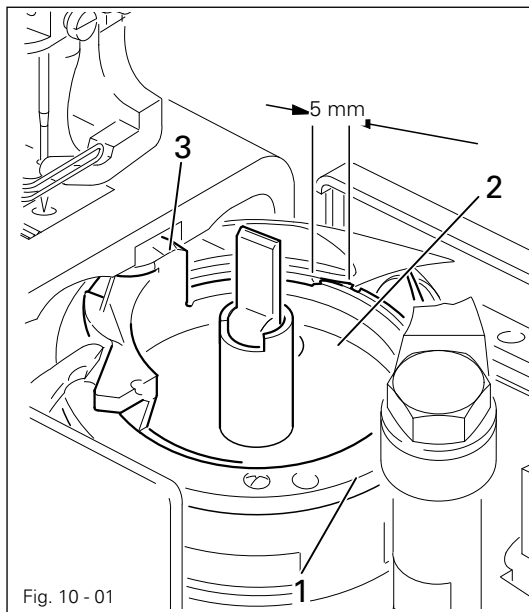


Fig. 10 - 01

The following tasks are recommended during single shift operation to avoid operational errors:

**Clean the hook area**

- Clean the hook area with a brush

**Clean the hook**

- Open the post cover.
- Bring the needle bar to the top position.
- Remove the bobbin case sewing head with bobbin.
- Unscrew the hook gib 1.
- Turn the handwheel until the tip of the bobbin case 2 has penetrated approx. 5 mm into the groove of the hook race.
- Remove the bobbin case and clean the hook race with kerosene.

- Make sure that the horn 3 engages in the groove of the stitch plate when inserting the bobbin case.
- Screw on the hook gib 1.
- Insert the bobbin case with bobbin.
- Close the post cover.



Always operate the machine when the post cover is closed!  
Risk of injury from the rotating hook!

## 10.03 General oiling

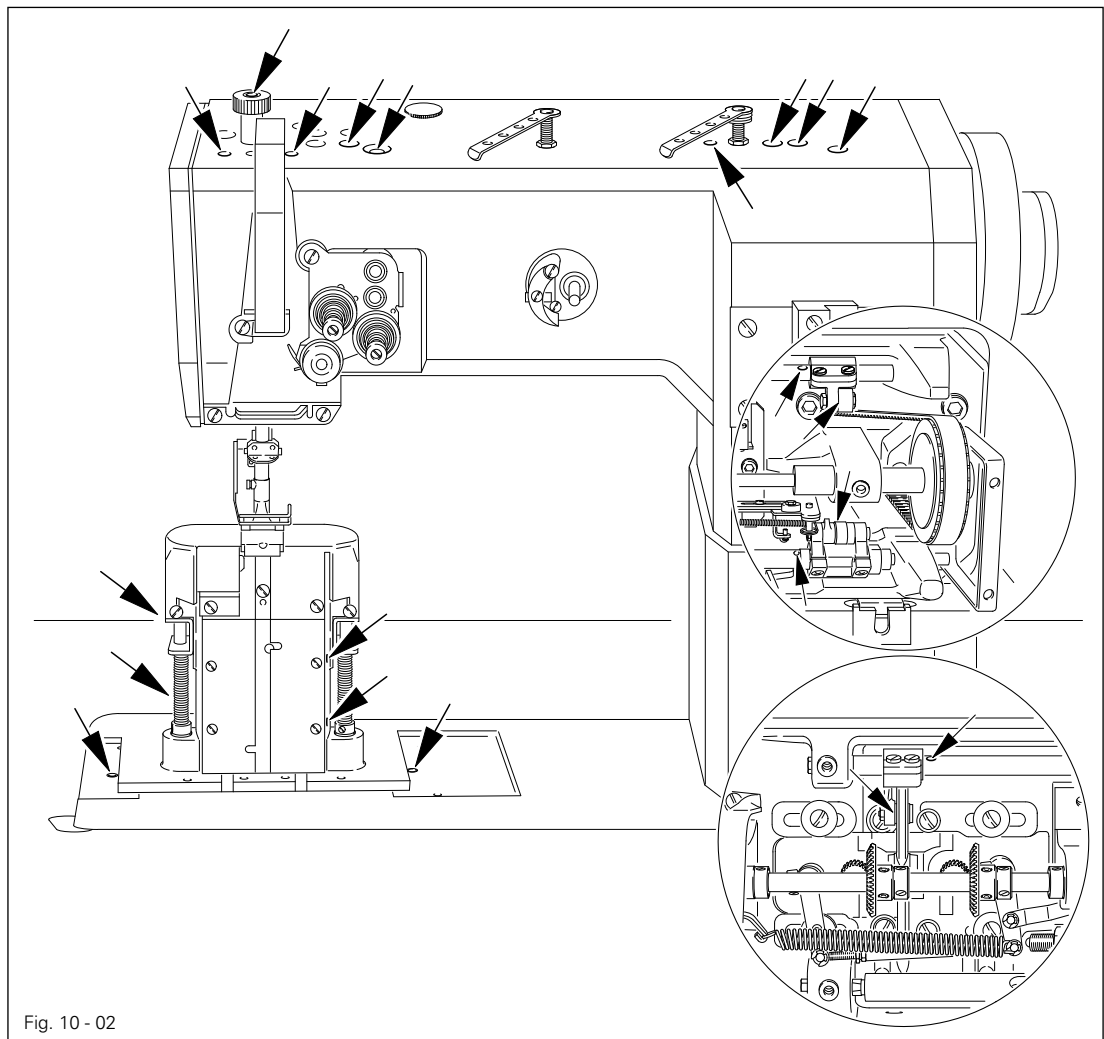


Fig. 10 - 02



Switch off the machine!  
Risk of injury due to accidental machine start-up!

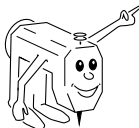
- Oil all points marked with arrows twice a week.



Return the machine to its upright position using both hands!  
Danger of injury by crushing between the machine and the table top!

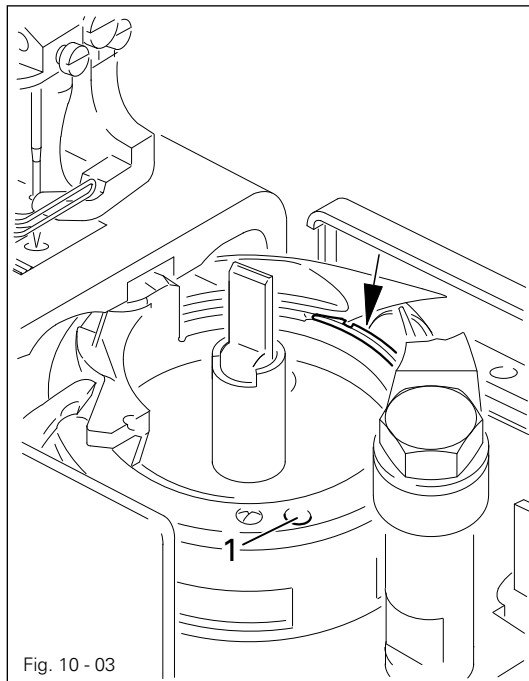


Only use oil with a centre viscosity of  $22.0 \text{ mm}^2/\text{s}$  at  $40 \text{ }^\circ\text{C}$  and a density of  $0.865 \text{ g}/\text{cm}^3$  at  $15 \text{ }^\circ\text{C}$ !



We recommend PFAFF sewing machine oil, order no. 280-1-120 144.

## 10.04 Oiling the hook

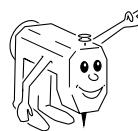


Switch off the machine!  
Risk of injury due to accidental machine start-up!

- Open the post cover.
- Bring the needle bar to the top position.
- Add 1 - 2 drops of oil into the hole 1 of the hook gib (see arrow).
- Add a few drops of oil into the hook race (see arrow).

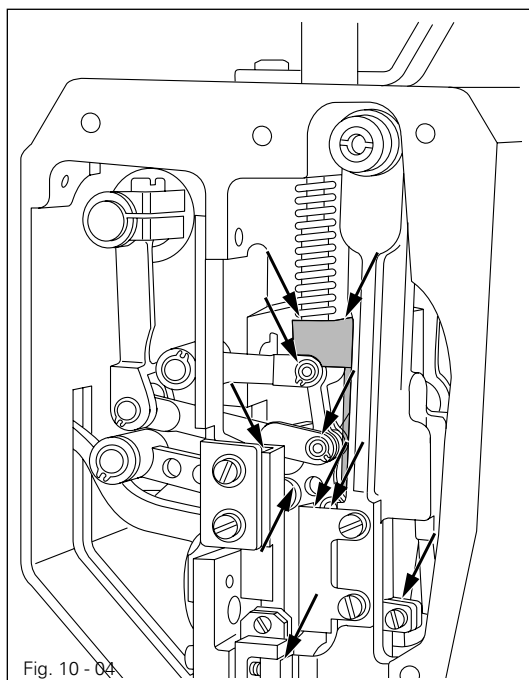


Only use oil with a centre viscosity of 22.0 mm<sup>2</sup>/s at 40 °C and a density of 0.865 g/cm<sup>3</sup> at 15 °C!



We recommend PFAFF sewing machine oil, order no. 280-1-120 144.

## 10.05 Oiling the front parts

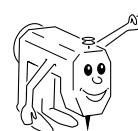


Switch off the machine!  
Risk of injury due to accidental machine start-up!

- Unscrew the face cover.
- Oil all sliding and bearing points ( see arrows ) twice a week.
- Screw the face cover back on.

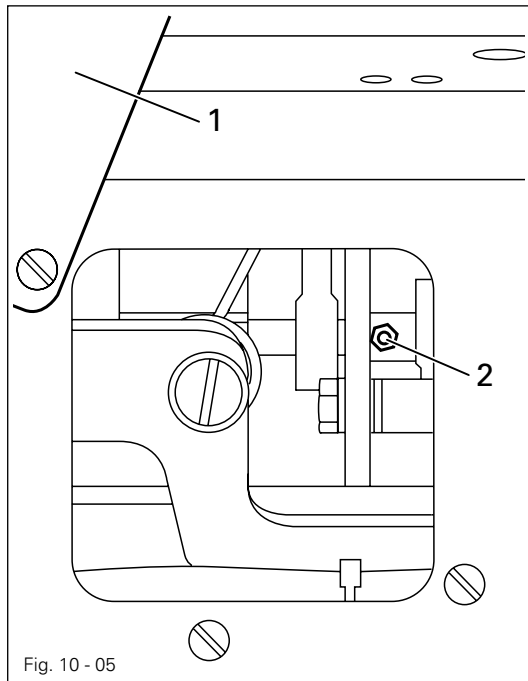


Only use oil with a centre viscosity of 22.0 mm<sup>2</sup>/s at 40 °C and a density of 0.865 g/cm<sup>3</sup> at 15 °C!



We recommend PFAFF sewing machine oil, order no. 280-1-120 144.

## 10.06 Lubricating the top feed driving eccentric

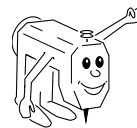


Switch off the machine!  
Risk of injury due to accidental machine start-up!

- Open the cover 1 on the back of the machine.
- Apply a little grease to the nipple 2 at least once a year (use a grease gun).
- Then screw on the cover 1 again.

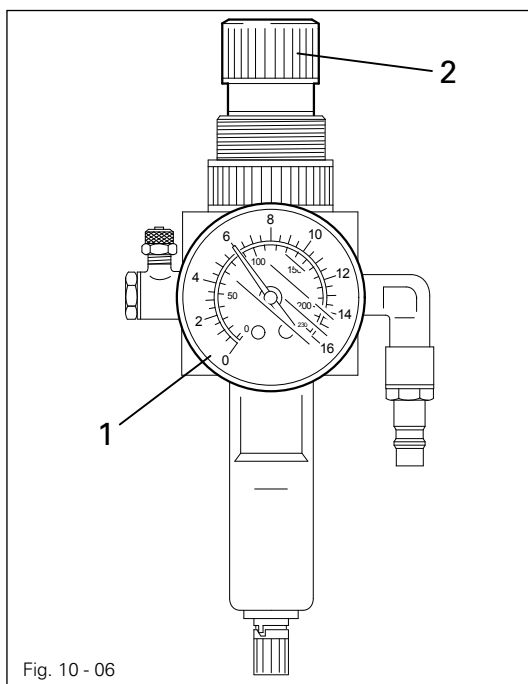


Only use lithium grease with a dripping point of **185 °C** and a walk penetration of 22 - 25 mm at 25 °C.



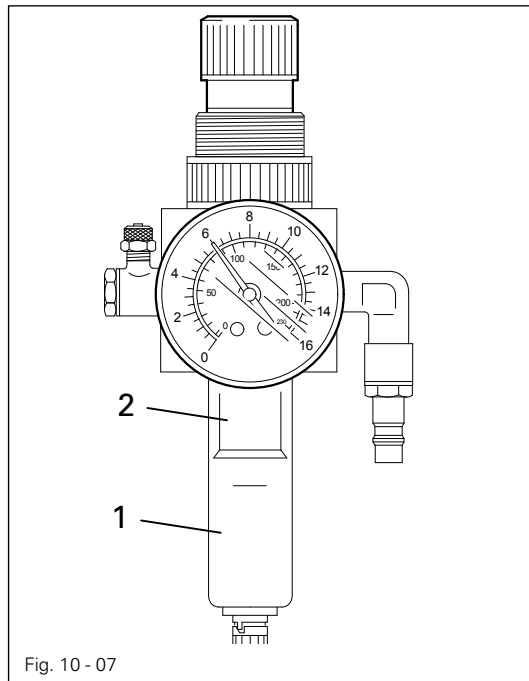
We recommend Pfaff sewing machine oil  
Order no. **280-1-120 247**.

## 10.07 Checking / setting the air pressure



- Check the air pressure on the manometer 1 before every start-up.
- The manometer 1 must show a pressure of **6 bar**.
- Adjust this value if needed.
- To do this, pull up the button 2 and turn it so that the manometer 1 shows a pressure of **6 bar**.

## 10.08 Cleaning the maintenance unit air filter



Switch off the machine!  
Detach the compressed air tube on the maintenance unit

Empty the water tank:

- The water tank 1 empties itself automatically after the compressed air tube for the maintenance unit has been removed.

Clean filter:

- Unscrew the water tank 1 and take out the filter 2.
- Clean the filter 2 with compressed air or isopropyl alcohol (order no. 95-665 735-91).
- Screw in the filter 2 and screw on the water tank 1.

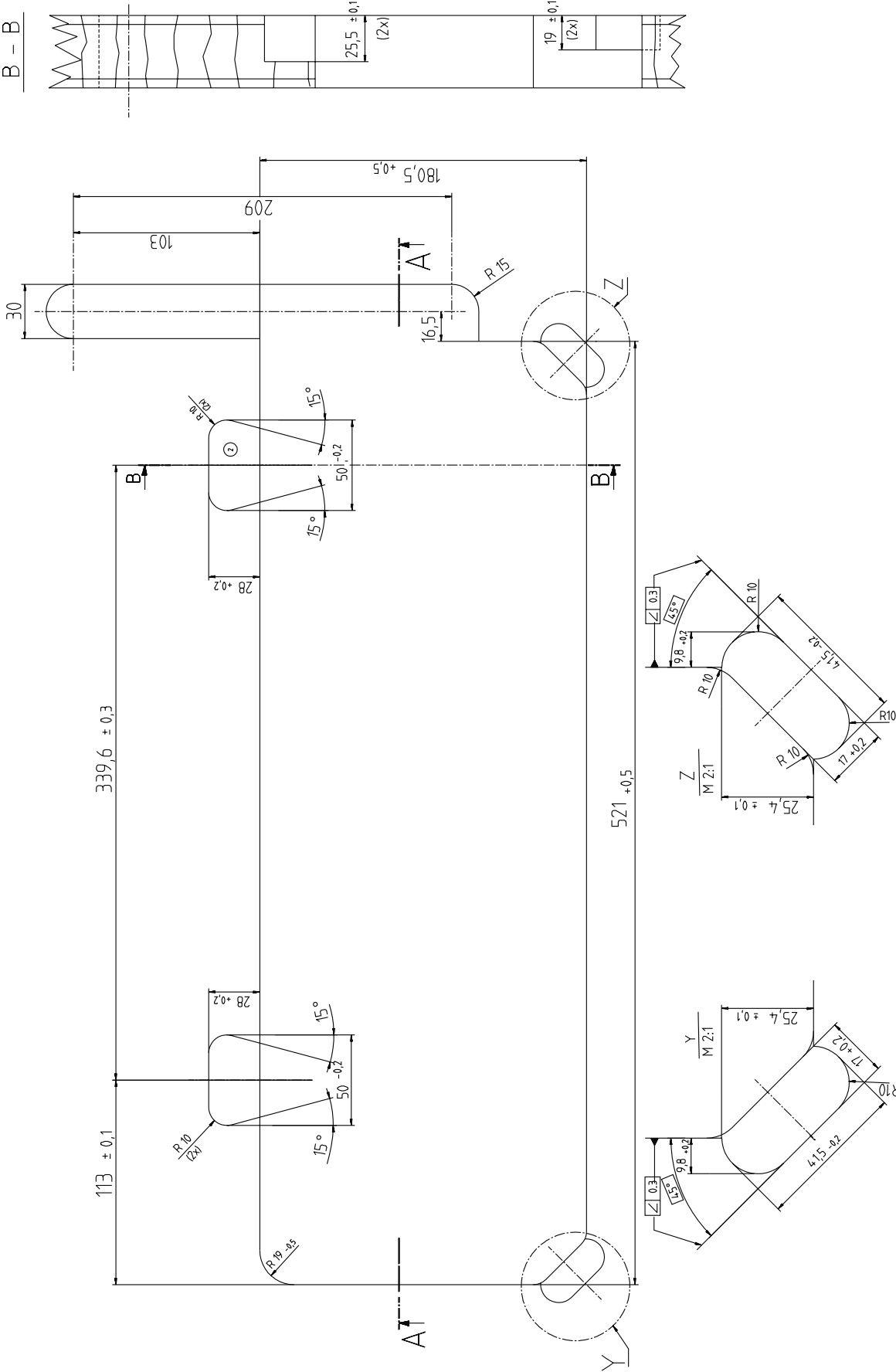
## 10.09 Parameter settings



Parameter settings are described in the separate **parameter list** for the drive and may only be changed by authorised and qualified technicians.

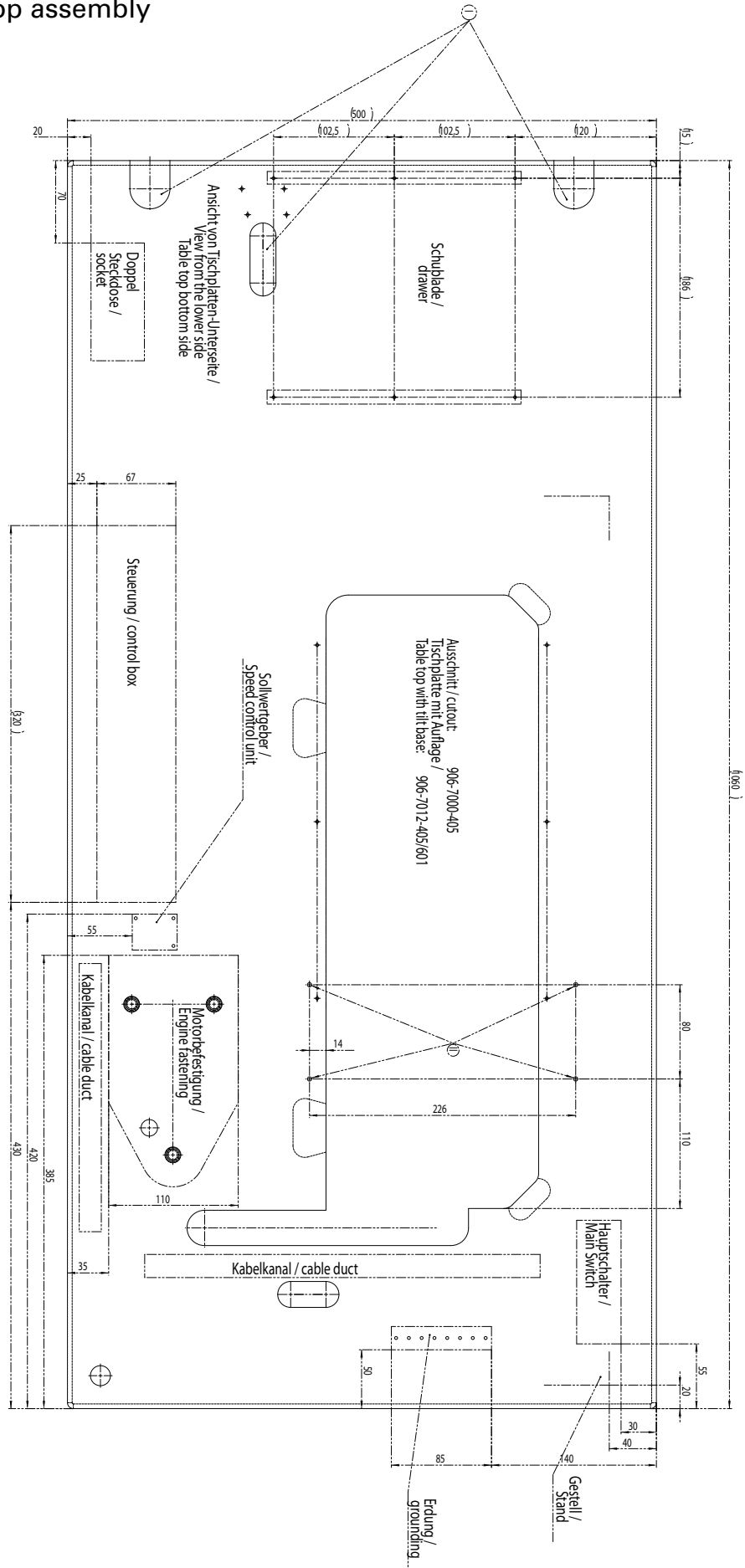
11 Table Top

11.01 Table top cutout



# Table top assembly

## 11.02 Table top assembly

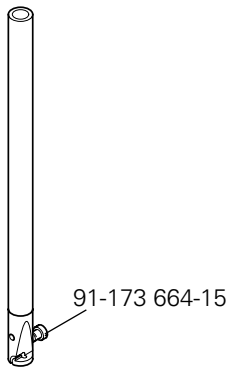




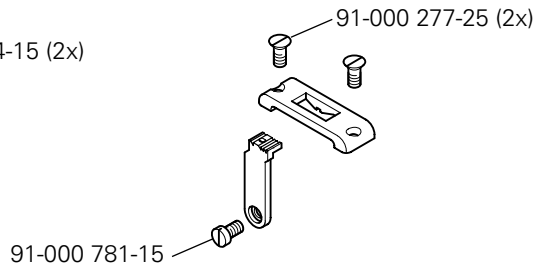
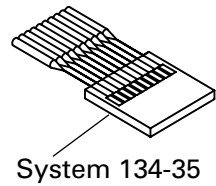
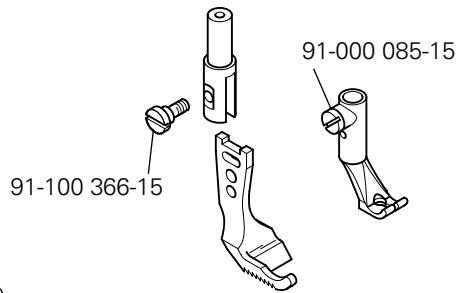
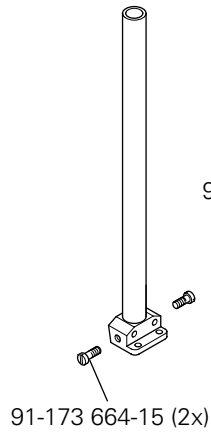
This list shows the most important wearing parts.

A detailed parts list for the complete machine can be downloaded at [www.pfaff-industrial.de/de/service-support/downloads/technical](http://www.pfaff-industrial.de/de/service-support/downloads/technical). As an alternative to the Internet download, the parts list can also be requested as a hard copy under order no. **296-12-19 309**.

PFAFF 1295



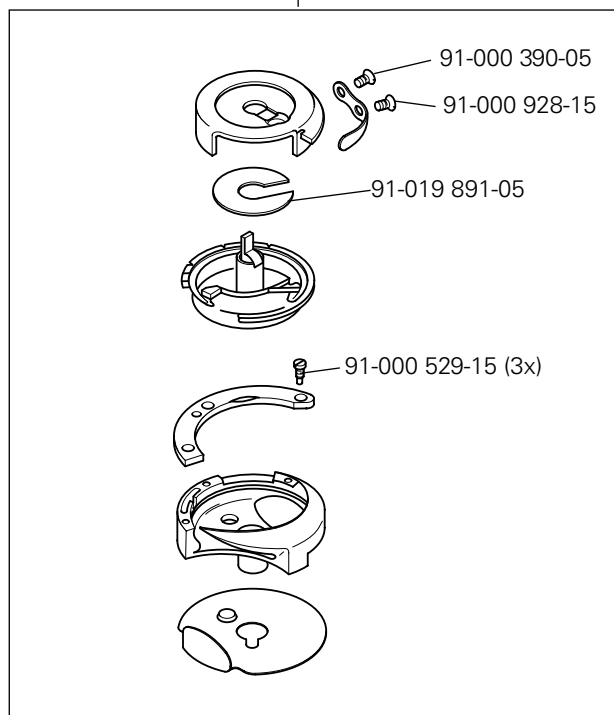
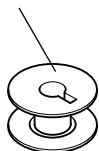
PFAFF 1296



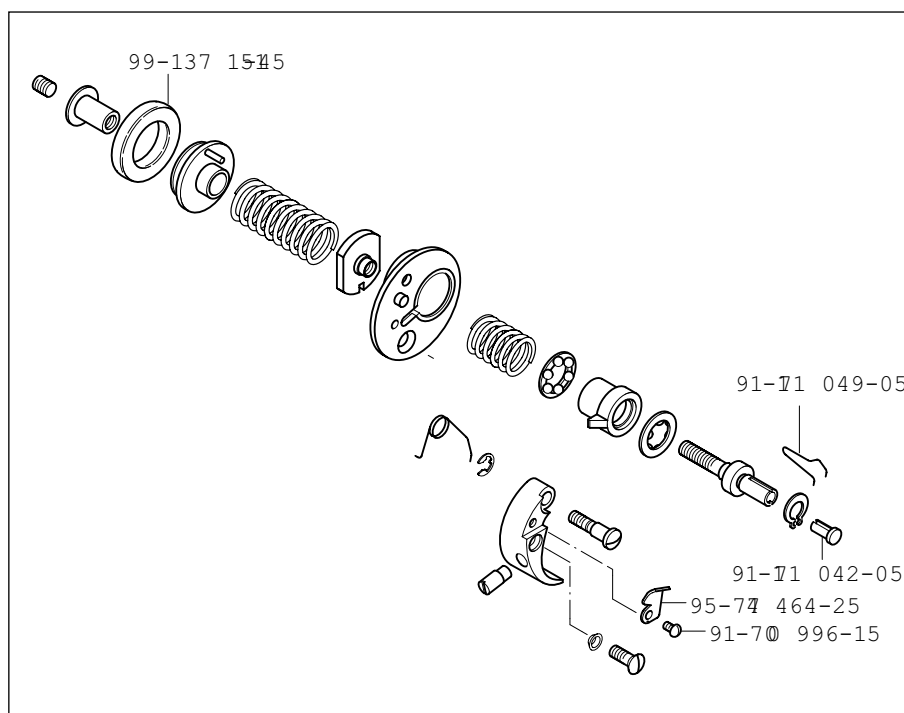
91-140 539-91 PFAFF 1245; 1246  
91-140 451-91 PFAFF 1245-900; 1246-900

91-018 340-91 PFAFF 1295; 1296  
91-018 285-91 PFAFF 1295-900; 1296-900

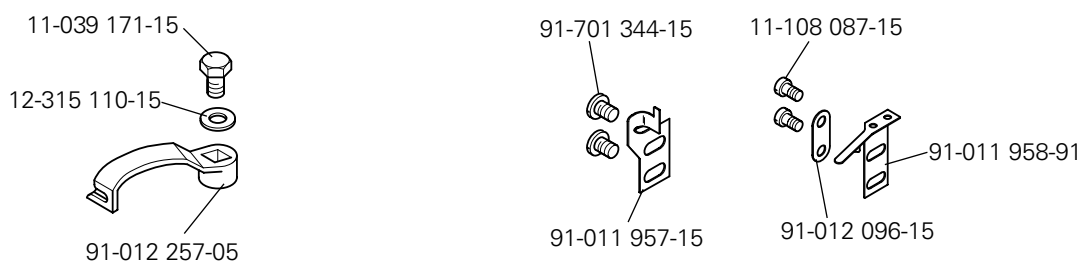
91-018 339-05 PFAFF 1295;1296  
91-018 480-05 PFAFF 1295-900;1296-900



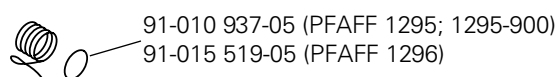




PFAFF 1295-900; 1296-900



PFAFF 1295; 1296



PFAFF 1296-900





**Europäische Union**  
Wachstum durch Innovation – EFRE

## PFAFF Industriesysteme und Maschinen GmbH

Hans-Geiger-Str. 12 - IG Nord  
D-67661 Kaiserslautern

Phone: +49-6301 3205 - 0

Fax: +49-6301 3205 - 1386

E-mail: [info@pfaff-industrial.com](mailto:info@pfaff-industrial.com)