

PFAFF®

Select
2.0 3.0 4.0
german engineering

Ersatzteile-Liste
List of spare parts
Liste des pièces détachées
Catalogo pezzi staccati
Lista de piezas de repuesto

Nicht nummerierte Teile im Katalog werden nicht geliefert.

The parts mentioned without number in the parts list are not available.

Les pièces qui ne sont pas numérotées dans la liste de pièces détachées ne peuvent être livrées.

Pezzi non catalogati non sono disponibili.

Las piezas de repuesto sin número en esta lista no se entregarán.

Bei Bestellung von Ersatzteilen muss die Modell-Nr. der Maschine, die Seitenzahl des Kataloges und die Teilenummer angegeben werden.

Die Verschleißteile-Nummern sind in der Teileliste unterstrichen.

When ordering spare parts, please state the model number, the page number in the catalogue of spare parts and the number of the parts called for.

The wear and tear part numbers are underlined in the parts list.

Prière d'indiquer dans vos commandes de pièces de rechange, le numéro de la machine, le numéro de la page dans la liste des pièces détachées, ainsi que les numéros des pièces commandées.

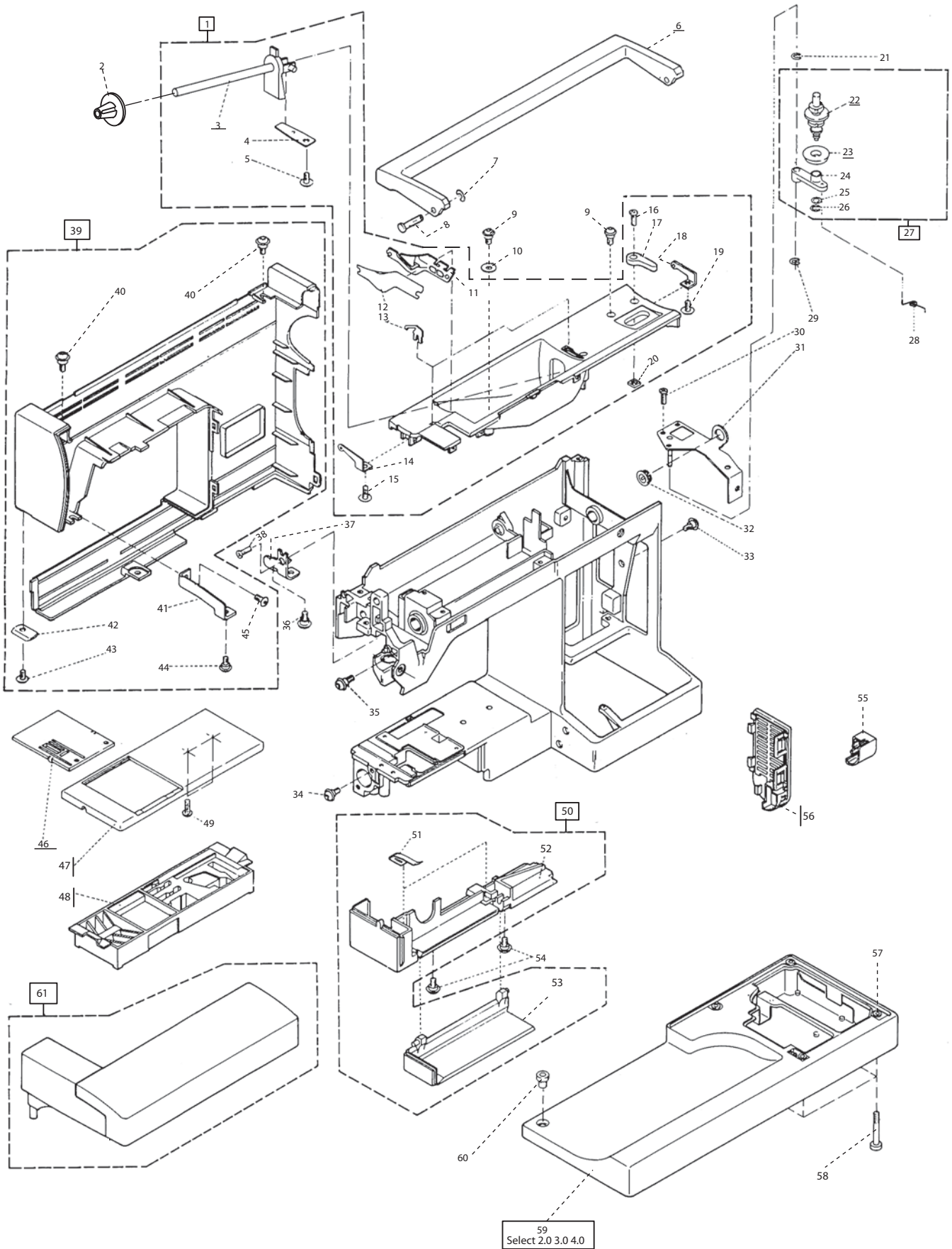
Les numéros de pièces d'usure sont imprimés soulignés dans la liste des pièces.

La richiesta dei pezzi di ricambio deve contenere il modello della macchina, la pagina del catalogo e il codice del pezzo.

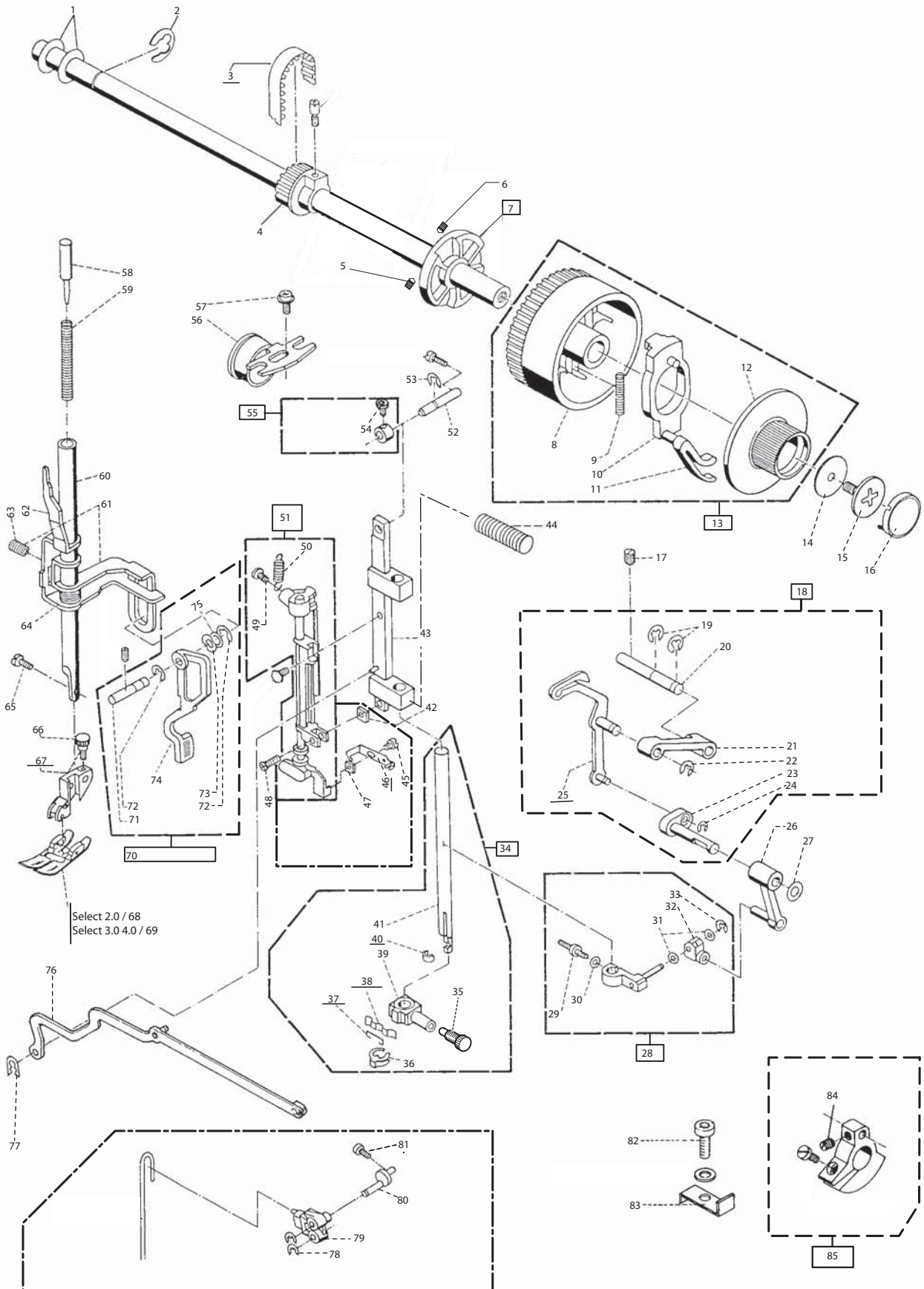
I codini dei pezzi d'usura sono quelli sottolineati nel catalogo.

Al pedir piezas, sírvanse de indicar el número del modelo de la máquina, la página de la lista de piezas de repuestos y el número de la pieza deseada.

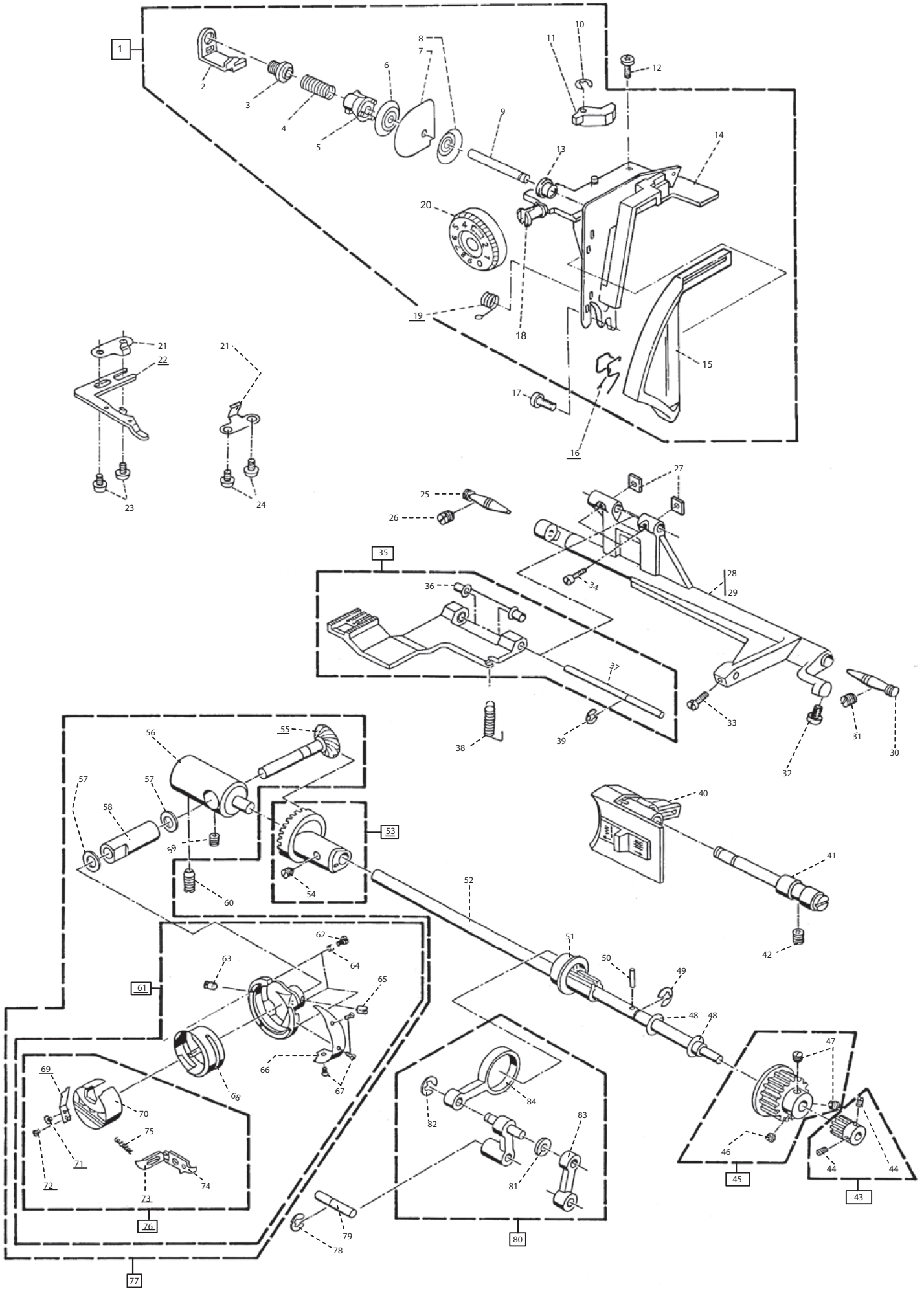
Los números de las piezas de desgaste están subrayadas en la lista.



1	9303324591000	housing insert cpl.	57	N/S	cover cpl.
2	9303505044000	thread pulloff disk	58	9303311855000x4	screw 3x8
3	9303305244000	spool pin	59	9303303391000	bed plate Select 15xx
4	9303305405000	spring	60	9303508195000	guide bushing
5	9303311855000	screw 3x8	61	9303307591000	extension plate
6	9303306544000	handle			
7	735310620	washer DIN 6799-2,3			
8	9303506615000	safety bolt			
9	9303314355000	shoulder bolt			
10	9303519305000	spring disk			
11	9303305535000	thread guidance			
12	9303305605000	spring bended			
13	9303305725000	thread guidance			
14	N/S	angle left			
15	9303311855000	screw 3x8			
16	1119009825000	screw ISO 7045 M3			
17	9303305344000	stop			
18	9303306205000	angle right			
19	9303311855000	screw 3x8			
20	1209012105000	nut DIN 562 M3			
21	1264017055000	washer DIN 67995			
22	9303311244000	bobbin winder spindle			
23	9310181505000	bobbin winder friction ring			
24	9303003205000	bobbin joint			
25	9324919900000	washer			
26	1264017055000	washer DIN 67995			
27	9303311191000	bobbin cpl.			
28	9310175705000	torsion spring			
29	1264017055000	washer DIN 67995			
30	1172217255000	screw PN11722M4x8			
31	9303311091000	bracket cpl.			
32	9303311345000	sleeve			
33	9303314355000	shoulder bolt			
34	9303314655000	raised cheese head screw			
35	9303314355000	shoulder bolt			
36	9303314355000	shoulder bolt			
37	9303314205000	angle			
38	1172217255000	screw PN11722M4x8			
39	413119301	rear cover			
40	9303314355000	shoulder bolt			
41	413113401	angle			
42	9303227205000	knife			
43	9303311855000	screw 3x8			
44	9303314355000	shoulder bolt			
45	9303311855000	screw 3x8			
46	9303890935000	needle plate			
47	9303311633000	free arm cover cpl.			
48	9303608133000	accessories enclosure			
49	9303311855000	screw 3x8			
50	N/S	free arm cover cpl.			
51	9303503315000	hinge spring			
52	N/S	free arm cover			
53	N/S	free arm flap			
54	9303314355000	shoulder bolt			
55	9303314544000	motor key printed			
56	9303314033000	key guide			



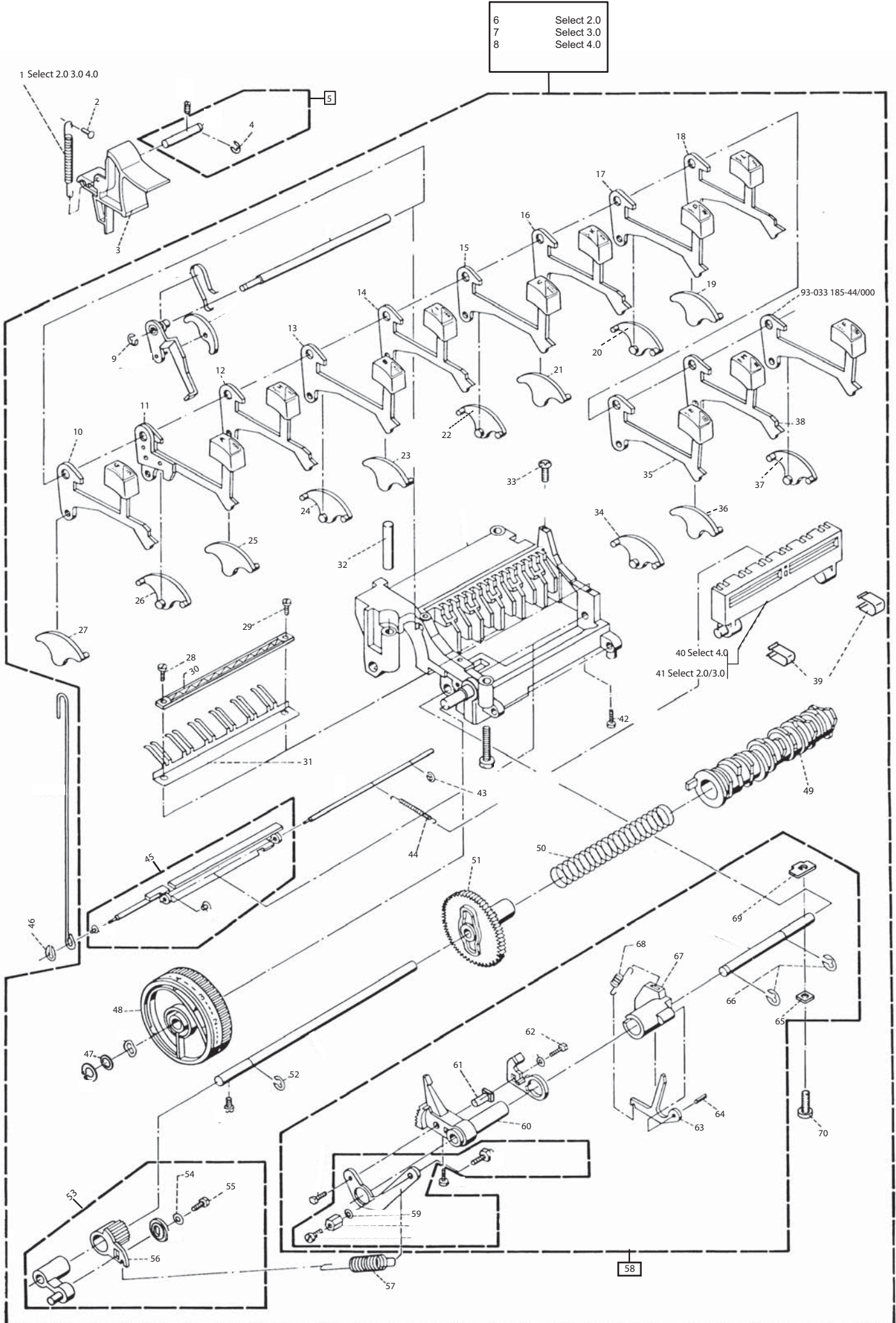
1	9303511105000	buffer disk	55	9303518611000	collar cpl.
2	1264023055000	washer DIN 679910	56	9303611591000	angle with clamping reel
3	9303512005000	cleated belt 160 XL	57	N/S	
4	9303511945000	crown wheel	58	9304020715000	pressure pin
5	N/S	threaded pin	59	9304020605000	helical compression spring
6	N/S	threaded pin	60	9303619505000	presser bar
7	9303510291000	arm shaft	61	9303656291000	guide cpl.
8	9303210744000	hand wheel	62	9303619815000	lever
9	9304028705000	helical compression spring	63	1131591705000	set screw PH 11315B M6x0,75x6
10	9304022545000	coupling piece			
11	9304022645000	catch lever	64	9303519905000	helical compression spring
12	9304022475000	balance wheel thumb disk	65	9303619615000	screw
13	9303210644000	hand wheel cpl.	66	9869488900000	screw
14	9304073505000	washer	67	9874550200700	presser foot holder
15	9303610655000	pan head screw with crank	68	820258096	standard sewing foot
16	9303610875000	cap	69	820250096	fancy stitch foot cpl.
17	1131721805000	set screw ISO 4766 M5x6	70	9303719071000	lever cpl.
18	9303810291000	thread lever with rocking arm	71	9303519205000	bolt
19	1264017055000	washer DIN 67995	72	1264015055000	washer DIN 67994
20	9303514105000	bolt	73	9303519305000	spring disk
21	9303514045000	floating lever	74	9303719071000	lever cpl.
22	1264015055000	washer DIN 67994	75	N/S	washer DIN 9885x10x0,2
23	9303513791000	crank bolt cpl.	76	9303326391000	guide cpl.
24	735310620	washer DIN 6799-2,3	77	9304018415000	Benzing Clip U93
25	9303613291000	thread lever cpl.	78	735310620 (2x)	washer DIN 6799-2,3
26	9303512991000	connecting rod cpl.	79	9303516545000	joint piece
27	9303512805000	buffer disk	80	9303516605000	eccentric bolt
28	9303615091000	cross head cpl.	81	N/S	
29	9303615215000	clamping bolt to cross head	82	1172143255002	screw D7500BE M4x6
30	9303615515000	disk	83	9303516845000	limit stop
31	9303515505000	buffer disk	84	1131593305000	set screw PH 11315B M6x0,75x5
32	9303515105000	joint piece, finished part			
33	1264013055000	washer DIN 67993,2	85	9303512691000	crank cpl.
34	9303670171000	needle bar cpl.			
35	9303412915000	needle holder clip cpl. (light grey)			
36	9303413015000	needle holder clip			
37	9303413305000	thread retainer			
38	9303413125000	thread guidance			
39	9303412715000	needle holder			
40	9303412805000	transmitting piece			
41	9303412605000	needle bar			
42	1209090105000	nut DIN 562 M3			
43	9303614691000	pendulum cpl. (for the needle bar)			
44	9303518305000	helical compression spring			
45	1110800625000	screw DIN 84A M2x3			
46	9303617691000	needle threader prong cpl.			
47	1209008315000	nut DIN 562 M2			
48	9303610915000	raised cheese head screw			
49	9310564015000	raised cheese head screw			
50	9303616605000	tension spring			
51	9303616471000	needle threader cpl.			
52	9303518505000	bolt			
53	1264013055000	washer DIN 67993,2			
54	N/S	pan head screw with crank			



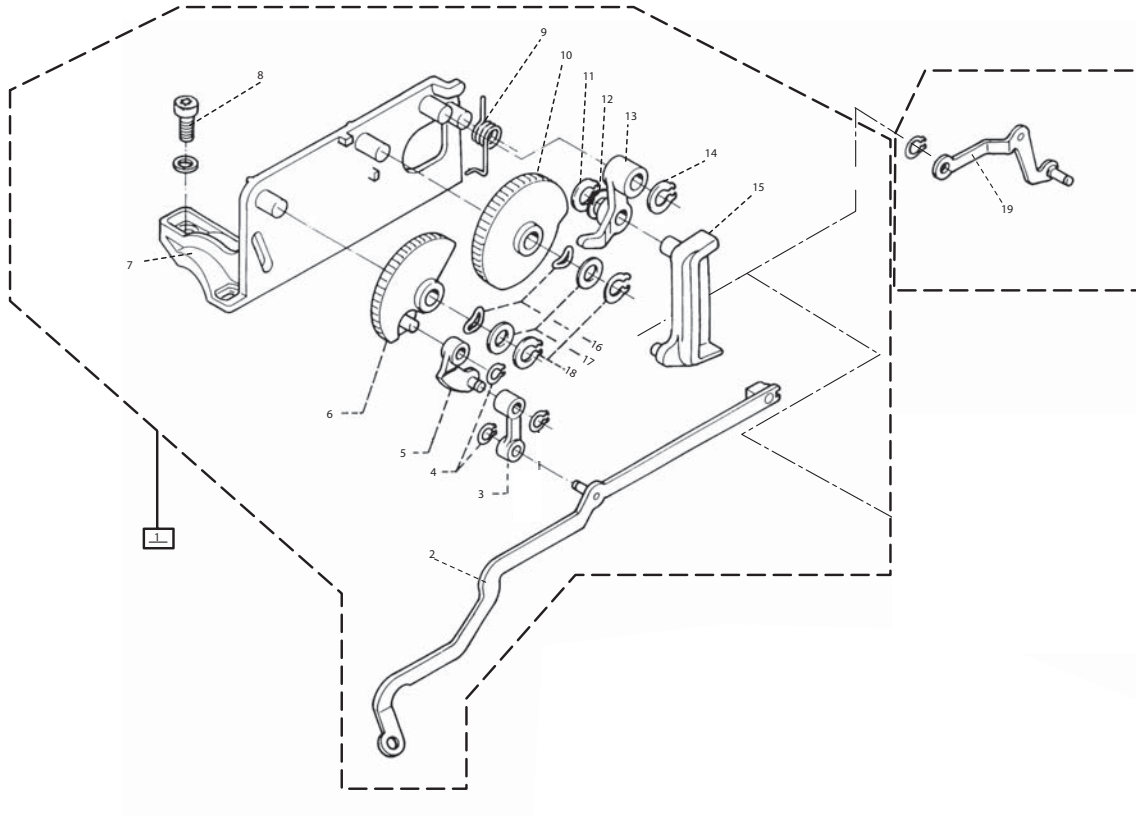
1	413132602	thread tension cpl.	54	1131593305000	set screw PH 11315B
2	9303557515000	guide			M6x0,75x5
3	9303557615000	sleeve	55	9303530491000	bevel wheel, driven
4	9303758105000	compression spring	56	9303530205000	hook bearing
5	9303557745000	transmitting piece	57	9303530605000	buffer disk
6	9303658225000	tension disk	58	9303830505000	bush
7	9303758305000	central tension disk	59	1131593005000	set screw PH 11315B
8	9303658225000	tension disk			M6x0,75x3,5
9	9303757405000	guide bolt	60	9303530805000	set screw with cone
10	1261812045000	ring PN126183	61	412747003	rotary hook
11	9303558445000	tension release elver	62	412747701	pan head screw with shoulder
12	1172217225900	screw PN11722M4x8 with disk	63	412747901	set screw
			64	412747601	helical compression spring
13	9303754345000	bearing	65	412747901	set screw
14	N/S		66	412747501	thread pulloff flange
15	413110101	cap	67	N/S	
16	9303754505000	thread guide	68	412748001	bobbin case support
17	1172217255000	screw PN11722M4x8	69	412748601	plate spring
18	413117001	shaft, Select	70	N/S	
19	9303558705000	thread check spring	71	412749001	adjustment screw
20	413119201	adjusting knob	72	412749101	raised countersunk head screw
21	9303508715000	plate spring	73	N/S	
22	9303531491000	bobbin case position finger	74	N/S	
23	1172217255000	screw PN11722M4x8	75	412748901	compression spring
24	1172143255002	screw D7500BE M4x6	76	412748401	bobbin case cpl.
25	N/S		77	9303230091000	hook bearing cpl.
26	1131721805000	set screw ISO 4766 M5x6	78	1264015055000	washer DIN 67994
27	1209090105000	nut DIN 562 M3	79	9303535905000	bolt
28	N/S		80	9303535591000	connecting rod cpl.
29	9303233405000	Select2.0 shear shaft	81	1231514015000	washer DIN 4335,3
30	N/S		82	1264015055000	washer DIN 67994
31	1131721805000	set screw ISO 4766 M5x6	83	9304035805000	link
32	N/S		84	9303535605000	eccentric rod
33	N/S				
34	N/S				
35	9303634191000	feeder cpl.			
36	9303534445000	bearing bushing			
37	N/S				
38	9303534705000	helical tension spring			
39	1264013055000	washer DIN 67993,2			
40	9303532075000	lifting lever			
41	9303632305000	exzenterpin			
42	1131591625000	set screw N11315-B-M6x8			
43	9303536091000	gear wheel cpl.			
44	N/S				
45	9303638391000	studded disk below			
46	1131593005000	set screw PH 11315B			
		M6x0,75x3,5			
47	1131593005000	set screw PH 11315B			
		M6x0,75x3,5			
48	9303530605000	buffer disk			
49	1264019055000	washer DIN 67996			
50	1305209415000	tightening pin ISO 87502x10			
51	9303538245000	sliding eccentric			
52	9303537905000	hook drive shaft			
53	9303531091000	bevel gear cpl.			

PFAFF select 2.0/3.0/4.0

6 Select 2.0
7 Select 3.0
8 Select 4.0



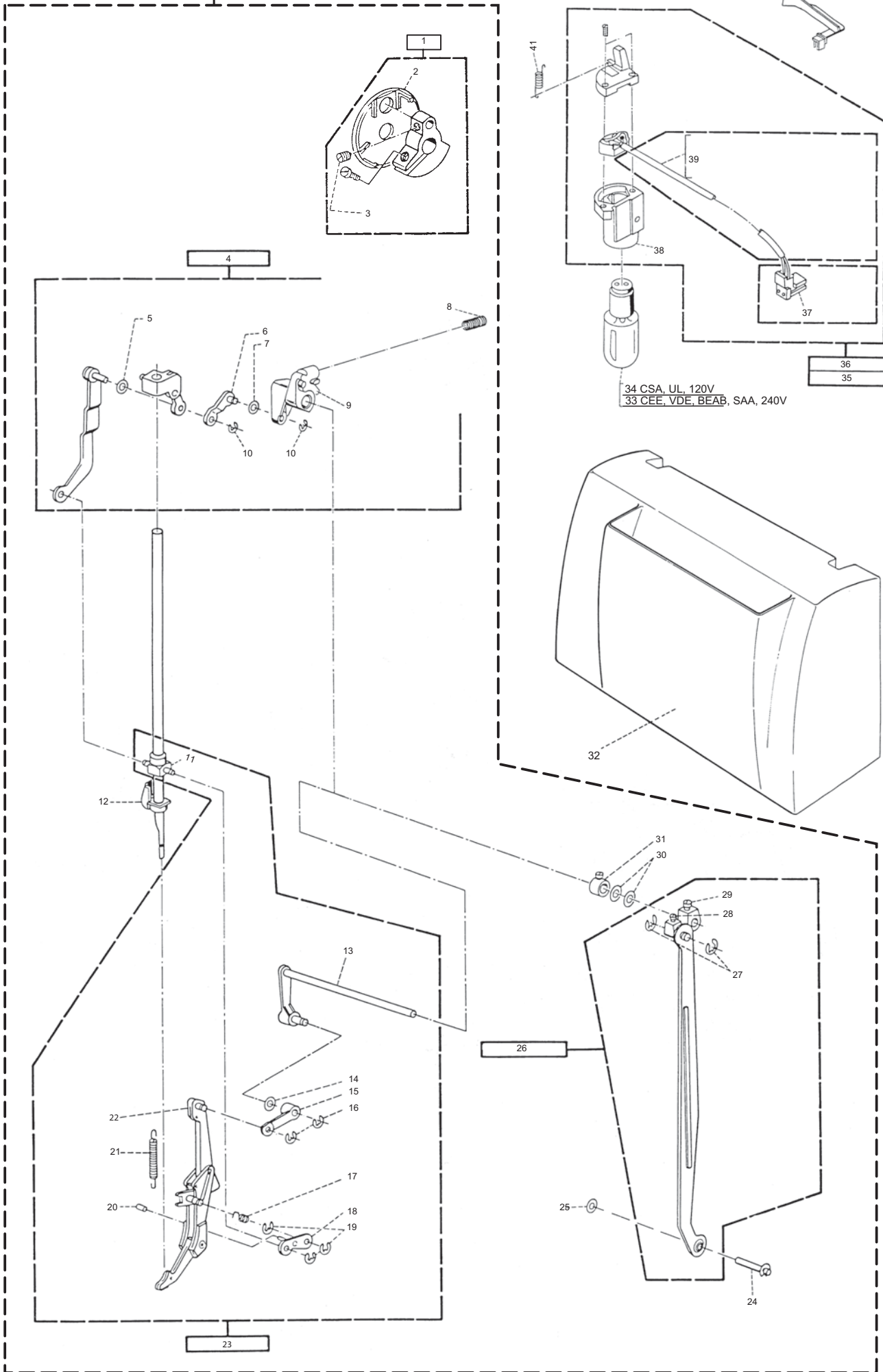
1	9304065405000	helical tension spring	57	9303564105000	helical tension spring
2	1325010325000	grooved pin ISO 87462x7	58	N/S	
3	9303314444000	reverse lever	59	1250512015000	spring disk D137A3
4	735310620	washer DIN 6799-2,3	60	9303463205000	feeler member
5	N/S	pin with washer cpl.	61	N/S	
6	412970905	stitch Select. Mech. Cpl. 2.0	62	1103909655000	screw ISO 4017M3x8
7	412970906	stitch Select. Mech. Cpl. 3.0	63	N/S	
8	412970907	stitch Select. Mech. Cpl. 4.0	64	1305209415000	tightening pin ISO 87502x10
9	1264013055000	washer DIN 67993,2	65	9303263305000	washer
10	9303318644000	push button lever cpl.	66	1264019055000	washer DIN 67996
11	9303318744000	push button lever cpl.	67	N/S	
12	9303318644000	push button lever cpl.	68	9303563405000	helical tension spring
13	9303318544000	push button lever cpl.	69	9303263405000	nut
14	9303318644000	push button lever cpl.	70	1119090955000	screw DIN 7985 M4x12
15	9303318544000	push button lever cpl.			
16	9303318644000	push button lever cpl.			
17	9303318544000	push button lever cpl.			
18	9303318644000	push button lever cpl.			
19	9303562045000	feeler lever			
20	9303562045000	feeler lever			
21	9303562045000	feeler lever			
22	9303562045000	feeler lever			
23	9303562045000	feeler lever			
24	9303562045000	feeler lever			
25	9303562045000	feeler lever			
26	9303562045000	feeler lever			
27	9303562045000	feeler lever			
28	N/S				
29	N/S				
30	9303264645000	bracket			
31	9303264505000	spring assembly			
32	N/S				
33	N/S				
34	9303562045000	feeler lever			
35	9303318544000	push button lever cpl.			
36	9303562045000	feeler lever			
37	9303562045000	feeler lever			
38	9303318644000	push button lever cpl.			
39	9303263205000	spring			
40	9303663145000	pressurekey catch			
41	9303263105000	pressurekey catch			
42	N/S				
43	1264013055000	washer DIN 67993,2			
44	9304065405000	helical tension spring			
45	9303569591000	swing frame with bushing cpl.			
46	9304018415000	BenzingClip U93			
47	N/S				
48	9303317544000	graduated dial			
49	413062101	winding shaft			
50	N/S	helical compression spring			
51	9303560745000	gear wheel with curve			
52	1264019055000	washer DIN 67996			
53	N/S				
54	1234005025000	washer DIN 6902A3,2			
55	1103909655000	screw ISO 4017M3x8			
56	9303536645000	regulating link			



1	9303325091000	ZZ aggregate
2	9303326391000	guide cpl.
3	9303326205000	link
4	N/S	
5	N/S	
6	9303325644000	adjusting wheel printed
7	9303325105000	9303325105000
8	1172217255000(3x)	screw PN11722M4x8
9	9303325905000	torsion spring
10	9303325344000	regulating dial printed
11	1261819045000	ring PN126186
12	9220307705000	
13	9303325205000	coulisse bearing
14	1261819045000	ring PN126186
15	N/S	
16	1237000205000	washer N123706,2x9,8
17	9220307705000	washer
18	1261819045000	ring PN126186
19	9303327191000	connection rod cpl.

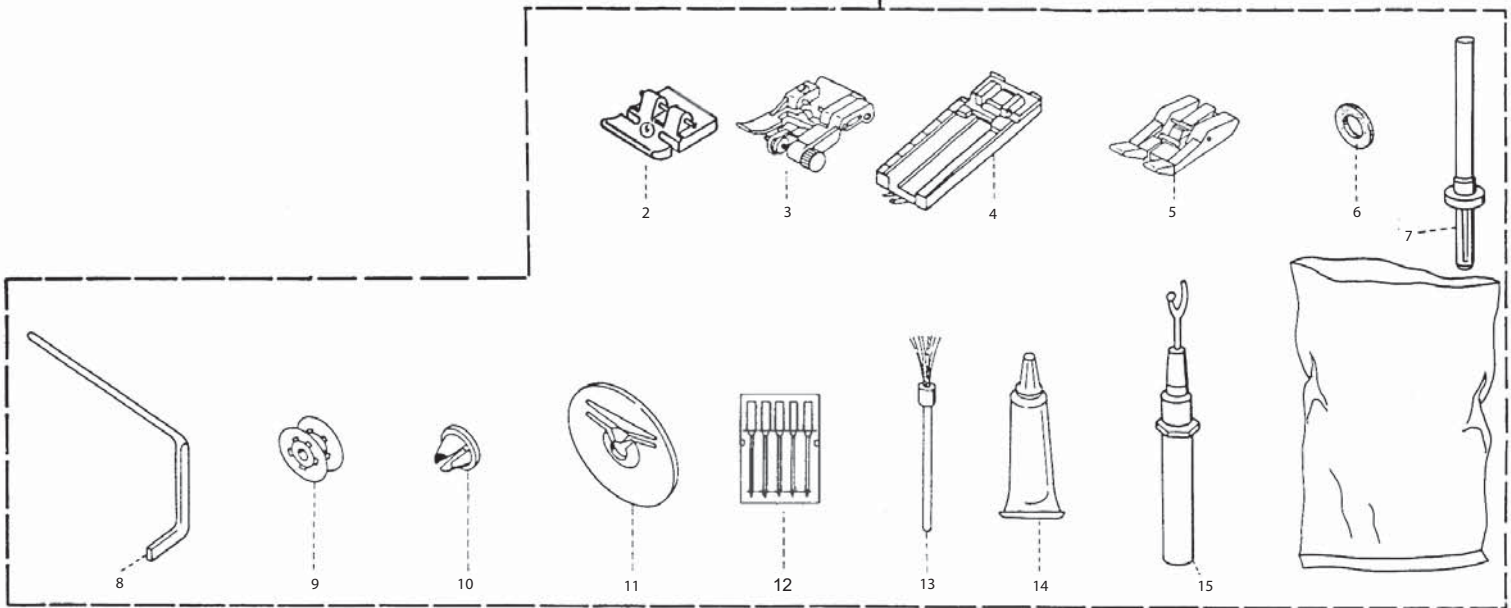
PFAFF select 2.0/3.0/4.0

Select 3.0 / 4.0

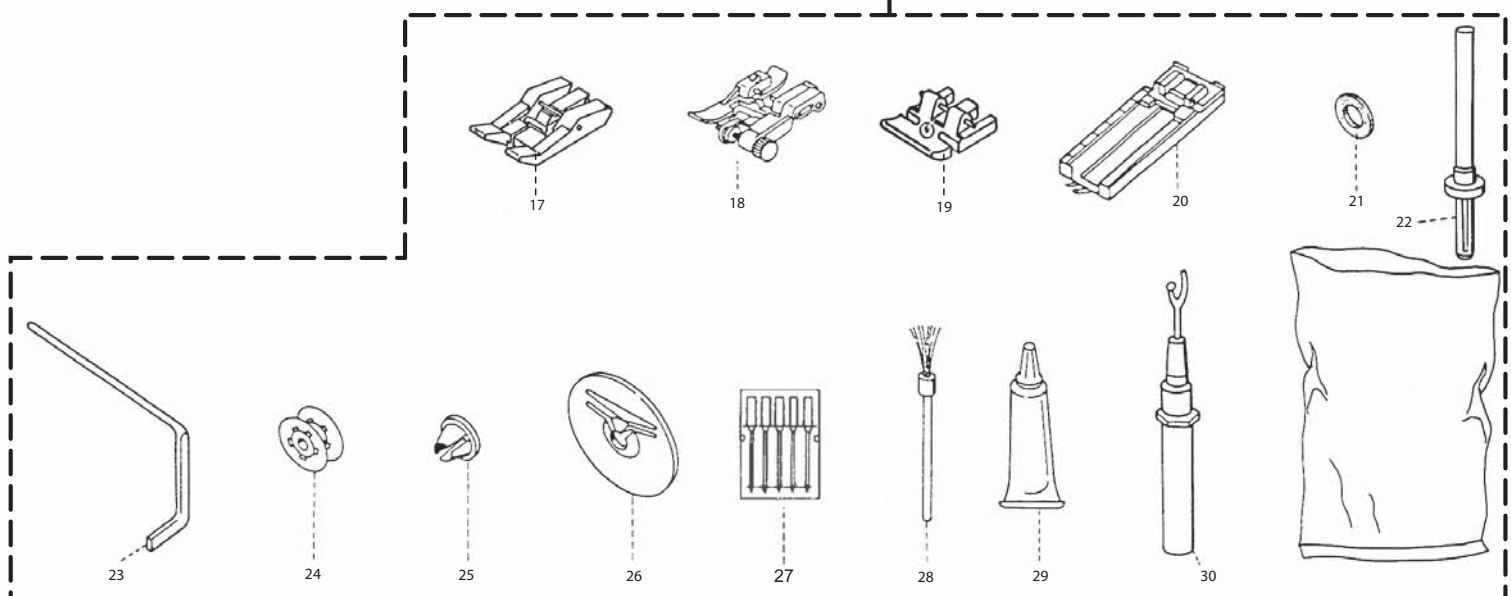


1	9303620391000	crank with feed lifting
2	9303620445000	feed lifting
3	1131593305000	set screw PH 11315B M6x0,75x5
4	9303620591000	lifting gear cpl.
5	1236900105000	washer 4,6x6,7 PH12369
6	9303620601000	connecting rod cpl.
7	9303634845000	buffer disk
8	9303620905000	helical compression spring
9	9303621291000	floating lever cpl.
10	1264013055000	washer DIN 67993,2
11	9303625705000	cross head
12	9303625891000	guide cpl.
13	9303622791000	shear shaft with crank
14	9303634845000	buffer disk
15	9303622505000	joint
16	1264013055000	washer DIN 67993,2
17	9303624405000	torsion spring
18	9303624991000	joint cpl.
19	1264013055000	washer DIN 67993,2
20	9303625345000	hose
21	9303624015000	tension spring
22	9303623091000	lever
23	9303621791000	transmission
24	9304029491000	bolt cpl.
25	9303634845000	buffer disk
26	9303628591000	connecting rod with crank
27	1264013055000	washer DIN 67993,2
28	N/S	
29	1119390205000	screw PH11193A M4x5,5
30	9303530605000	buffer disk
31	9303629791000	collar cpl.
32	413119101	carrying case
33	7025165061000	lamp N72516A 24015
34	7025165031000	lamp N72516A 12015
35	9023307924000	sewing lamp SAA
36	9023307943000	sewing lamp ULCSA
37	N/S	
38	9232644491000	housing cpl.
39	N/S	
40	9303606433000	cable guidance
41	9303403105000	helical tension spring

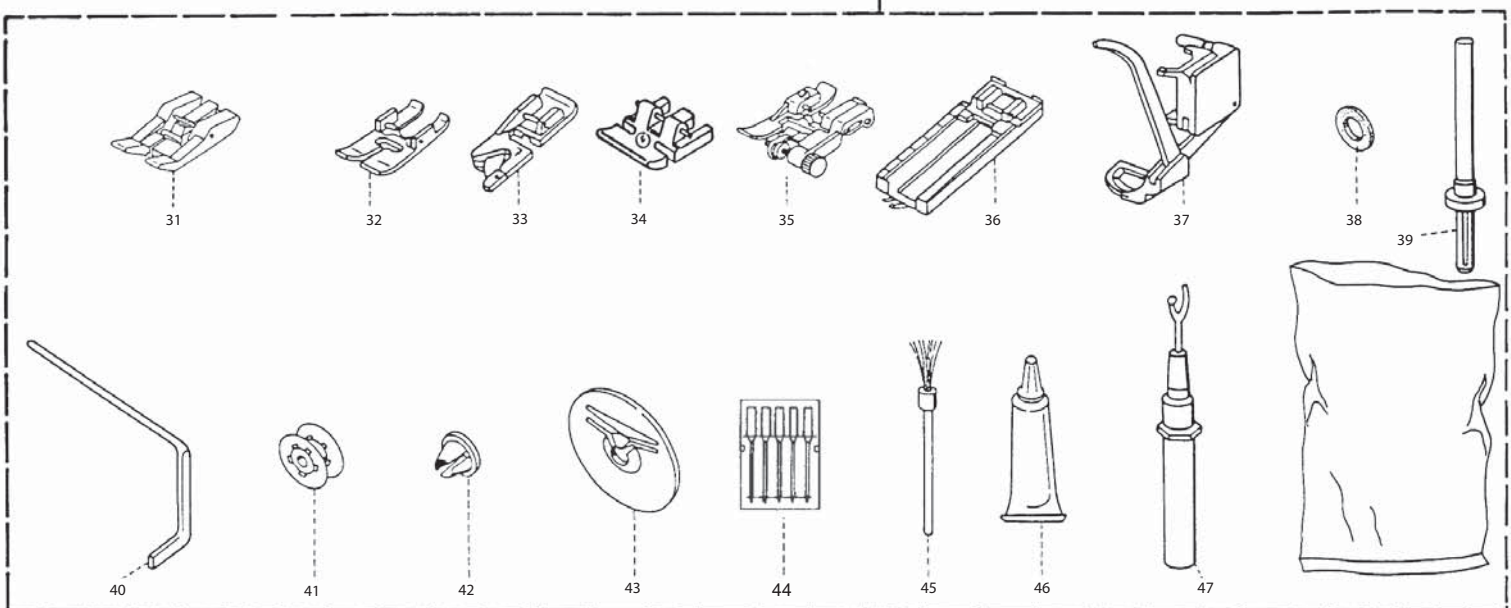
1 Select 2.0



16 Select 3.0

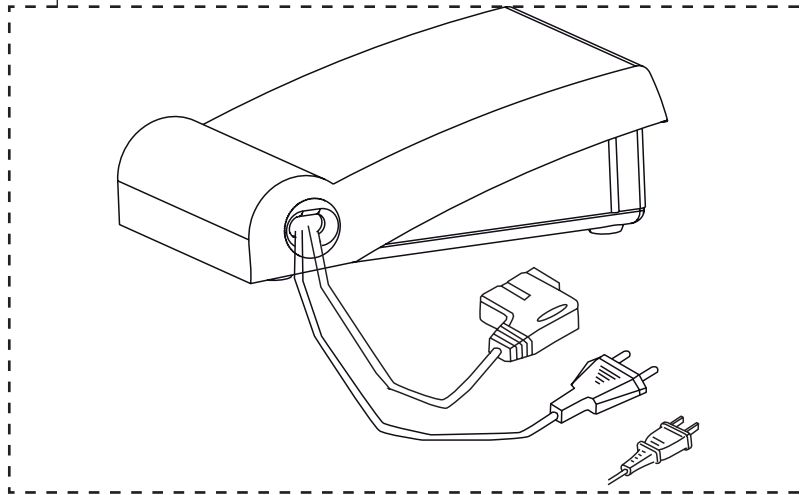


48 Select 4.0

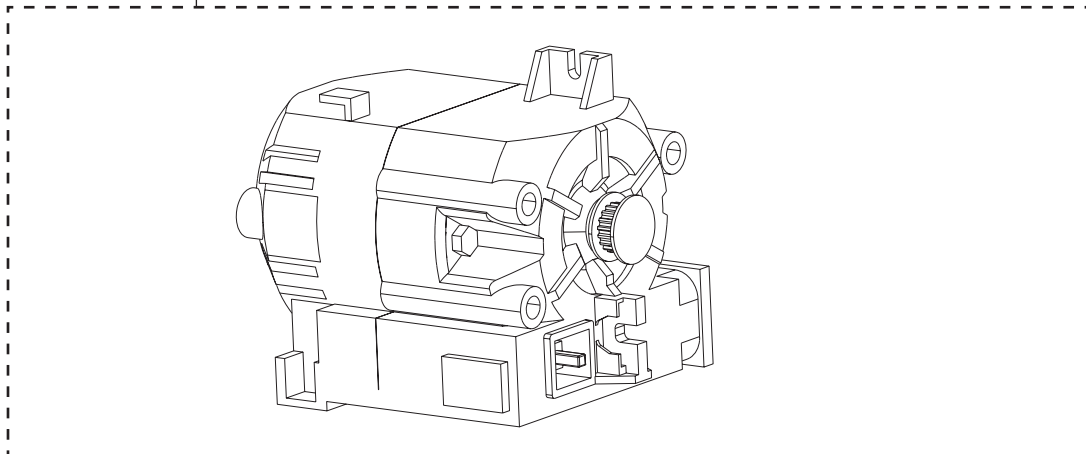


1	9303390144000	accessory cpl.
2	N/S	zipper foot cpl.
3	820264096	blindstitch foot cpl.
4	N/S	button hole foot cpl.
5	820229096	plastic foot clear cpl.
6	9303306405000	felt washer
7	9303306344000	spool pin
8	820251096	quilter guide
9	820779096	plastic bobbins 10 pack blue
10	9303604844000	thread pulloff disk
11	9303604944000	thread pulloff disk
12	N/S	
13	9384797991000	brush
14	2992499381937	tube of oil
15	401539901	cutter
16	9303390344000	accessory cpl.
17	820229096	plastic foot clear cpl.
18	820256096	plastic foot clear cpl.
19	820248096	zipper foot
20	N/S	button hole foot cpl.
21	9303306405000	felt washer
22	9303306344000	spool pin
23	820251096	quilter guide
24	820779096	plastic bobbins 10 pack blue
25	9303604844000	thread pulloff disk
26	9303604944000	thread pulloff disk
27	N/S	
28	401555501	brush
29	2992499381937	tube of oil
30	401539901	cutter
31	820229096	plastic foot clear cpl.
32	820774096	fancy stitch foot with IDT
33	820778096	maxi stitch embroidery foot
34	820248096	zipper foot
35	820256096	blind stitch foot cpl. for IDT
36	N/S	
37	820243096	darning foot cpl.
38	9303306405000	felt washer
39	9303306344000	spool pin
40	820251096	quilter guide
41	820779096	plastic bobbins 10 pack blue
42	9303604844000	thread pulloff disk
43	9303604944000	thread pulloff disk
44	N/S	
45	401555501	brush
46	2992499381937	oil tube
47	401539901	cutter
48	9303390244000	accessory cpl.

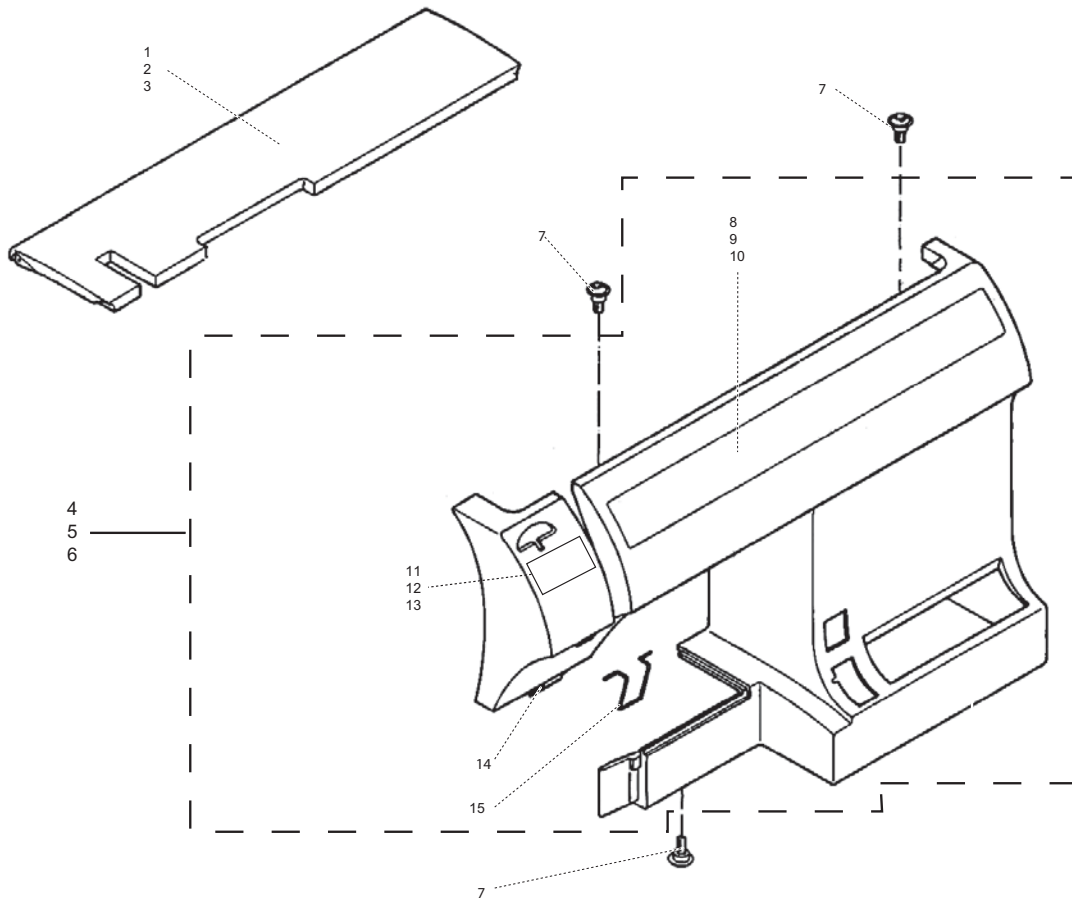
4131160-01	Foot control cpl 220-240V
4131161-01	Foot control cpl 120V
4131160-02	Foot control cpl 220-240V, GB
4131160-03	Foot control cpl 220-240V, AU



4131158-01	Motor 220-240V
4131159-01	Motor 120V

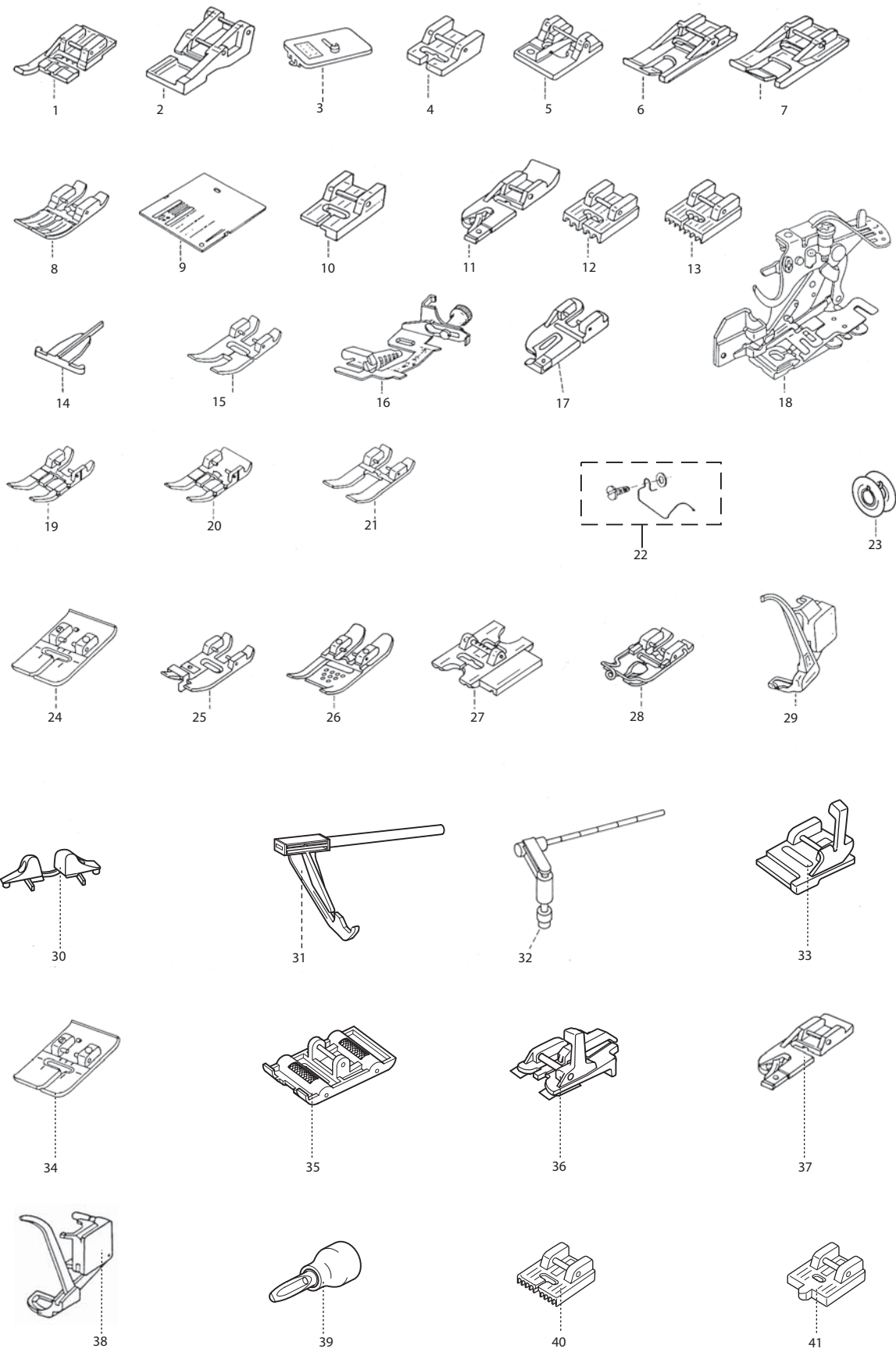


1	413116001	foot control cpl. 220/240V
2	413116001	foot control cpl. 220/240V
3	413116002	foot control cpl. 220/240V GB
4	413116003	foot control cpl. 220/240V AUS
5	413115801	Motor cpl. 220/240V
6	413115901	Motor cpl. 120V



1	412970506	arm cover select 2.0
2	412970507	arm cover select 3.0
3	412970508	arm cover select 4.0
4	413119001	front cover
5	413119002	front cover
6	413119003	front cover
7	9303314355000	shoulder bolt
8	413121601	front panel, Select 2.0
9	413121602	front panel, Select 3.0
10	413121603	front panel, Select 4.0
11	413121801	sewing head panel, select 2.0
12	413121802	sewing head panel, select 3.0
13	413121803	sewing head panel, select 4.0
14	9303310025000	thread retainer
15	N/S	thread guidance

Sonderzubehör, Special accessories, Accessoires spéciaux, Accessori fuori corredo, accesorios especiales



1	820666096 t	three groove cording foot
2	N/S	
3	820274096(Ø6mm), 820273096(Ø4mm)	eyeletting plate 6 mm, 4mm
4	820214096	applique foot cpl.
5	N/S	fringe sewing foot cpl.
6	N/S	felling foot 4,5 mm
7	N/S	felling foot 6,5 mm
8	N/S	straight stitch foot with round needle hole cpl.
9	820276096	needle plate (straight stitch)
10	820790096	knitedge/PIP./bead/shir. Foot
11	820220096	roll hemmer 2 mm
12	820226096	cording foot cpl. 5 cords
13	N/S	
14	N/S	
15	820664096	non stick foot with IDT
16	820245096	bias tape binder
17	820221096	hemmer with IDT
18	820255096	multistitch gathering foot
19	820926096	1/4 inch quilting foot w. IDT
20	820212096	quilt & patchwork foot cpl. without IDT
21	820215096	applique foot cpl. 9 mm
22	N/S	
23	820364096,	Metall,metal bobbin
24	N/S	
25	820609096	narrow edge foot cpl.
26	820608096	7/9 hole cord foot cpl.
27	N/S	
28	820607096	braiding foot cpl.
29	820544096	freehandquilting foot cpl.
30	N/S	
31	820279096	quilt guide
32	820246096	circular embroidery guide cpl.
33	820668096	gathering foot, IDT
34	820777096	n.stick dec.sti.foot. w. out iDT
35	820663096	roller foot
36	820473096	button sew on foot
37	820249096	hemmer foot
38	820243096	darning foot cpl.
39	N/S	
40	N/S	
41	820474096	invisible zipper foot cpl.

PFAFF®

© 2011 Copyright VSM Group ABAll rights reserved

Technische Änderungen vorbehalten

Subject to alterations in design

Sous toute réserve de modifications techniques

Salvo modificaciones técnicas

Con riserva di modifiche tecniche