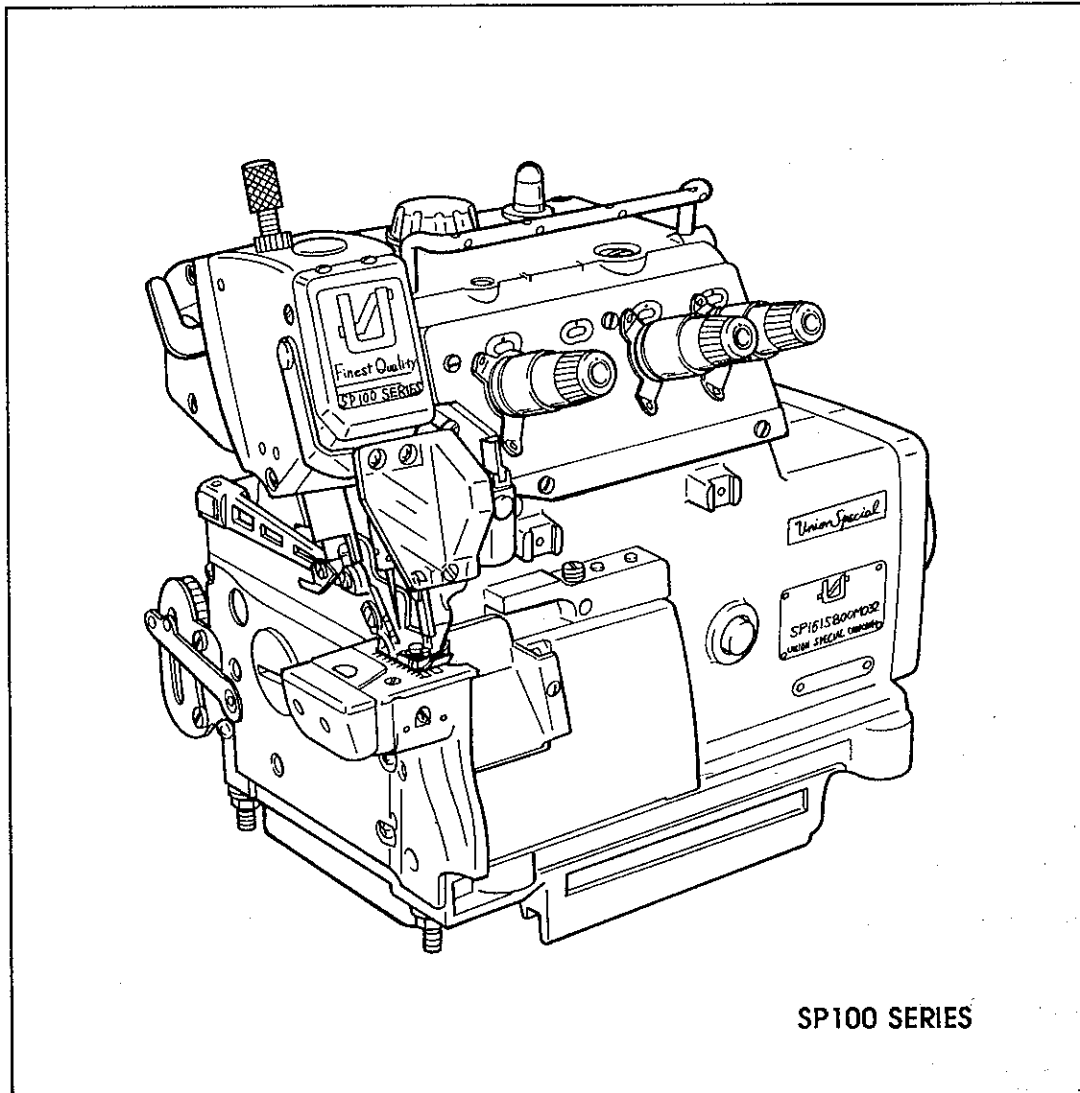


MANUAL NO.
PRT9311

ILLUSTRATED PARTS LIST

STYLES

SP151H829M032
SP151H830M032
SP151H829M040
SP151H830M040
SP161S800M032
SP161S800M040
SP161S800M048C
SP161S900M032C
SP161S900M040C
SP161S900M048C
SP161H829M032
SP161H830M032
SP161H829M040
SP161H830M040
SP172S800MAAC
SP172S800MACC
SP172S800MADC
SP172S900MACC
SP172S900MADC
SP172S900MAEC
SP172S800MBDC
SP172S900MBDC
SP172S900HAC
SP172S900HAD
SP172S900HAE
SP172S900HBD
SP172S900HBE



SP100 SERIES



Finest Quality

Union Special
INDUSTRIAL SEWING EQUIPMENT

29158607
No.0984-00

Manual No. PRT9311 Illustrated Parts List for the SP100 Series Machines

First Edition Copyright 1993

By

Union Special Corporation Rights Reserved In All Countries

Printed in Japan October 1993

PREFACE

This parts manual has been prepared to assist you in locating individual parts or assemblies on the SP100 Series machines. It can be used in conjunction with Union Special Adjusting manual INS9310.

It is the desire of Union Special that each machine run at its optimum performance. Parts listed in this manual are designed specifically for your machine and are manufactured with utmost precision to assure long lasting service.

This manual has been comprised on the basis of available information. Changes in design and/or improvements may incorporate a slight modification of configuration in illustrations or part numbers.

On the following pages are illustrations and terminology used in describing the parts used on the SP100 Series machines.

SAFETY RULES



General Operating Directions

The sewing machines described in this manual are prohibited from being put into service until it has been ascertained that the sewing units, in which these sewing machines will be built-in have conformed with the EC Council Directives (89/392/EEC, Annex II B).

1. Before putting the machines described in this manual into service, carefully read the instructions. The starting of each machine is only permitted after taking notice of the instructions and by qualified operators.

IMPORTANT! Before putting the machine into service, also read the safety rules and instruction from the motor supplier.

2. Observe the national safety rules valid for your country.
3. Each machine is only allowed to be used as foreseen. The foreseen use of the particular machine is described in paragraph "STYLES OF MACHINES" of this manual. Another use, going beyond the description, is not as foreseen.
4. All safety devices must be in position when the machine is ready for work or in operation. Operation of the machine without the appertaining safety devices is not allowed.
5. The following safety devices are components of the sewing machines: Fingerguard, needle lever eyelet guard, needle bar guard, needle break protection shield and handwheel-belt guard.
6. When gauge parts are exchanged (e.g. needle, presser foot, needle plate, feed dog and bobbin) during threading, when the operator leaves the workplace, and during service work, the machine must be isolated from the main power by switching off the main switch or disconnecting the main plug. On mechanically operated clutch motors without a start inhibitor it is necessary to wait until the motor has stopped.

7. Wear safety glasses.
8. In case of machine conversions and changes all valid safety rules must be considered. Conversions and changes are made at your own risk.
9. Commissioning of the sewing head is prohibited until such time as the entire sewing unit is found to comply with EC regulations.
10. The warning hints in the instructions are marked with one of these two symbols:



Items require special attention



Danger of injury to operative or service staff

Be sure to observe and adhere to these indications and to the generally applicable regulations.

Special Operating Directions

11. For the following the machine has to be disconnected from the power supply by turning off the main switch or by pulling out the main plug:
 - 11.1 For threading needle(s), looper, spreader etc.
 - 11.2 For replacing sewing tools such as needle, presser foot, throat plate, looper, spreader, feed dog, needle guard, folder, fabric guide etc.
 - 11.3 When leaving the workplace and when the workplace is unattended.
 - 11.4 For maintenance work.
 - 11.5 When using clutch motors without actuation lock, wait until the motor is stopped totally.

General Maintenance Directions

12. Maintenance, repair and conversion work (see item 8) must be done only by trained technicians or special skilled personnel under consideration of the instructions.
13. Any work on the electrical equipment must be done by an electrician or under direction and supervision of special skilled personnel.

Special Maintenance Directions

14. Work on parts and equipment under electrical tension is not permitted. Permissible exceptions are described in the applicable sections of standard sheet DIN VDE 0105.
15. Before doing maintenance and repair work on the pneumatic equipment, the machine has to be disconnected from the compressed air supply. In case of existing residual air pressure after disconnecting from compressed air supply (e.g. pneumatic equipment with air tank), the pressure has to be removed by bleeding.

Exceptions are only allowed for adjusting work and function checks done by special skilled personnel.

Standards

17. The sewing machines described in this manual are built according to the following standards:
 - EN292-2 Safety of machinery-basic concepts, general principles for design.
 - IEC204-3-1/EN60204-3-1 Electrical equipment of industrial machines. Part 3: Particular requirements for sewing machines, units and systems.

Section 1 to 16 (page 1 to 28) of this parts list cover the machine of model Nos. SP161S800M040 and SP172S900MADC.

For subclass machine, refer to Section 18 Subclasses (page 30).

このパーツリストの1～16項目は標準機種 (SP161S800M040, SP172S900MADC)を示しています。その他サブクラスは18項目を御覧ください。

CONTENTS

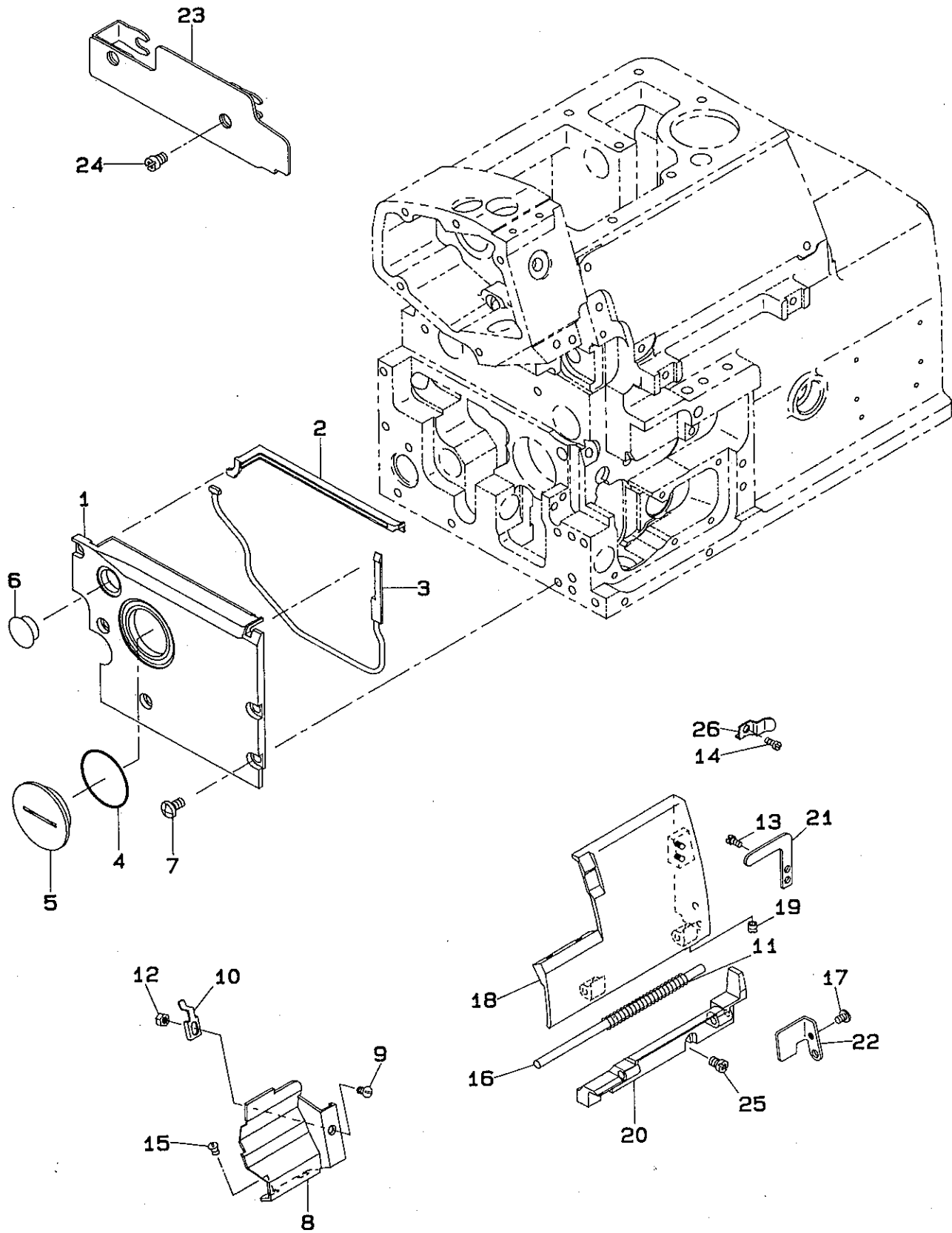
目次

| | |
|---|----|
| 1. FRAME COMPONENTS(1) | 1 |
| フレーム関係 (1) | |
| 2. FRAME COMPONENTS(2) | 3 |
| フレーム関係 (2) | |
| 3. CRANKSHAFT COMPONENTS | 5 |
| 主軸関係 | |
| 4. NEEDLE DRIVING SHAFT COMPONENTS | 7 |
| 針駆動軸関係 | |
| 5. FEED MECHANISM COMPONENTS(1) | 9 |
| 送り関係(1) | |
| 6. FEED MECHANISM COMPONENTS(2) | 11 |
| 送り関係(2) | |
| 7. UPPER & LOWER LOOPER COMPONENTS | 13 |
| 上ルーパ、下ルーパ関係 | |
| 8. PRESSER FOOT COMPONENTS(1) | 15 |
| 押え関係 (1) | |
| 9. PRESSER FOOT COMPONENTS(2) | 17 |
| 押え関係 (2) | |
| 10. THREAD TENSION COMPONENTS | 19 |
| 糸調子関係 | |
| 11. LOWER KNIFE COMPONENTS | 21 |
| 下メス関係 | |
| 12. UPPER KNIFE COMPONENTS | 23 |
| 上メス関係 | |
| 13. NEEDLE COOLING MECHANISM COMPONENTS | 24 |
| 針冷却装置関係 | |
| 14. LUBRICATION MECHANISM COMPONENTS | 25 |
| 給油装置関係 | |
| 15. SEMI-SUNKEN TYPE TABLE COMPONENTS | 27 |
| 卓上式テーブル関係 | |

| | |
|--|----|
| 16. THREAD STAND COMPONENTS | 28 |
| 糸立装置関係 | |
| 17. SPECIAL ORDER PARTS COMPONENTS | 29 |
| 特別注文部品関係 | |
| 18. SUBCLASSES | 30 |
| サブクラス | |
| (1) SP161S800M032 | 30 |
| (2) SP161S800M048C | 30 |
| (3) SP161S900M032C | 30 |
| (4) SP161S900M040C | 31 |
| (5) SP161S900M048C | 31 |
| (6) SP151H8 Δ Δ M032 | 32 |
| (7) SP151H8 Δ Δ M040 | 32 |
| (8) SP161H8 Δ Δ M032 | 33 |
| (9) SP161H8 Δ Δ M040 | 33 |
| (10) SP172S800MAAC | 34 |
| (11) SP172S800MACC | 34 |
| (12) SP172S800MADC | 35 |
| (13) SP172S900MACC | 35 |
| (14) SP172S900MAEC | 36 |
| (15) SP172S800MBDC | 36 |
| (16) SP172S900MBDC | 36 |
| (17) SP172S900HAC | 37 |
| (18) SP172S900HAD | 37 |
| (19) SP172S900HAE | 37 |
| (20) SP172S900HBD | 38 |
| (21) SP172S900HBE | 38 |
| NUMERICAL INDEX PARTS | 39 |
| 索引 | |

1. FRAME COMPONENTS(1)

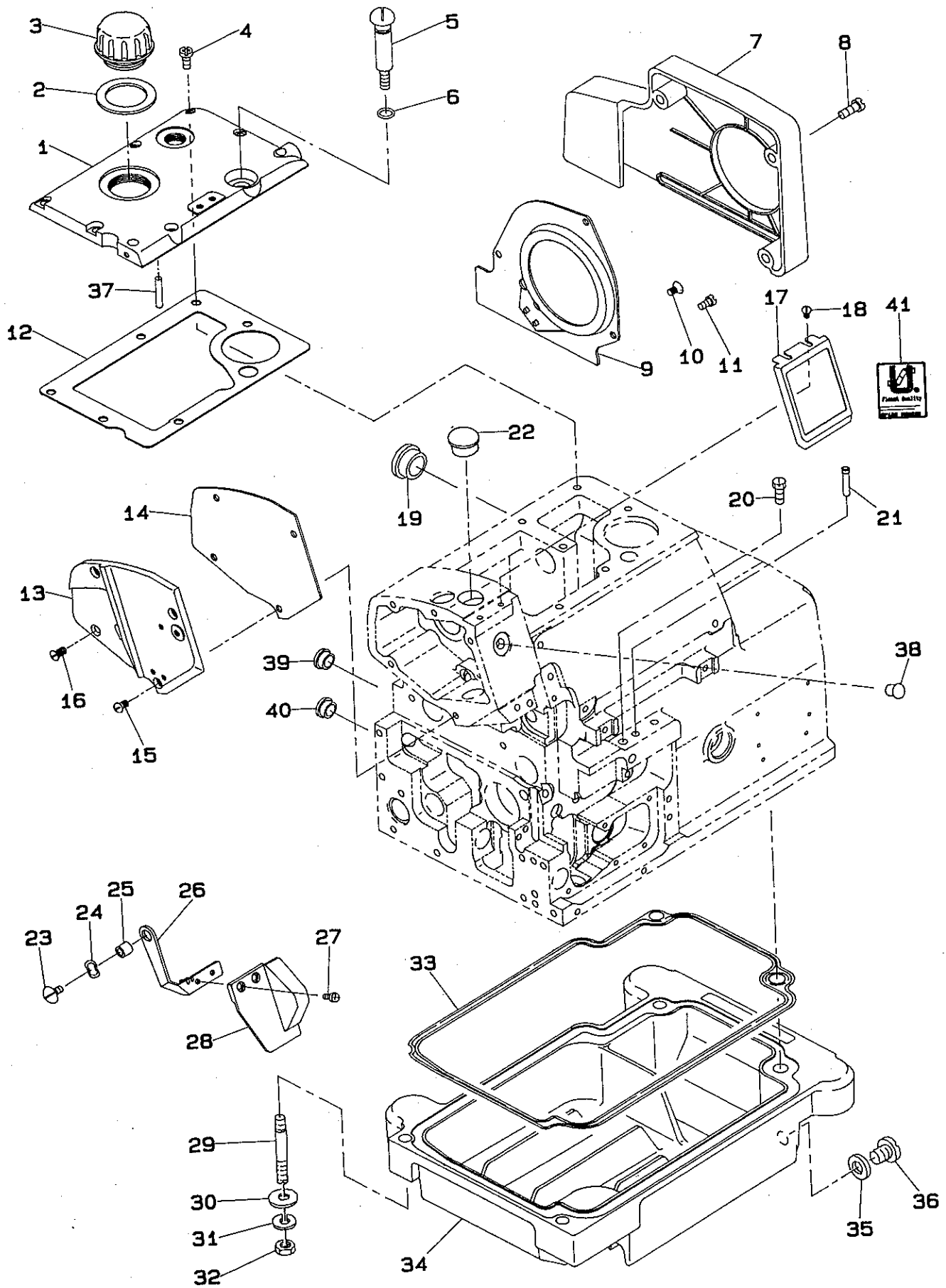
フレーム関係 (1)



| REF.NO | NOTE | PART NO. | DESCRIPTION | ヒンメイ | Qty |
|--------|------|---------------|-----------------------------|----------------------|-----|
| 1 | | 122-00200 | FEED MECHAISM COVER | オクリフタ | 1 |
| 2 | | 122-00309 | GASKET A | オクリフタ ハッキンA | 1 |
| 3 | | 122-00408 | GASKET B | オクリフタ ハッキン B | 1 |
| 4 | | RO-3152001-00 | RUBBER RING | Oリング | 1 |
| 5 | | 122-00507 | COVER | オクリ チョウセツアオ フタ | 1 |
| 6 | | TA-1450404-R0 | RUBBER PLUG D=14.5 L=4 | トメセン D=14.5 L=4 | 1 |
| 7 | | SS-4120915-SP | SCREW 3/16-28 L=9 | ナハネシ 3/16-28 L=9 | 5 |
| 8 | | 122-29100 | CHIP GUARD COVER | ヌノクス カハ | 1 |
| 9 | | SS-2090520-SL | SCREW 9/64-40 L=5 | マルヒラネシ 9/64-40 L=5 | 1 |
| 10 | | 121-01507 | CLOTH WASTE COVER STOPPER | ヌノクス カハ ストップ | 1 |
| 11 | | B1140-716-000 | SPRING | ルハカハ ハネ | 1 |
| 12 | | NS-6090310-SN | NUT 9/64-40 | ロツカクナツト 9/64-40 | 1 |
| 13 | | SS-7090530-SP | SCREW 9/64-40 L= 4.5 | マルヒラネシ 9/64-40 L=4.5 | 2 |
| 14 | | SS-7110720-SP | SCREW 11/64-40 L=7 | マルヒラネシ 11/64-40 L=7 | 1 |
| 15 | | SS-3090610-SP | SCREW 9/64-40 L=6 | マルネシ 9/64-40 L=6 | 2 |
| 16 | | 118-03004 | LOOPER COVER HINGE PIN | ルハカハ ヒンジク | 1 |
| 17 | | SS-7090610-SP | SCREW 9/64-40 L=6 | マルヒラネシ 9/64-40 L=6 | 1 |
| 18 | | 122-00903 | LOOPER COVER | ルハカハ | 1 |
| 19 | | SS-8110410-TP | SCREW 11/64-40 L= 3.5 | トメネシ 11/64-40 L=3.5 | 1 |
| 20 | | 122-00804 | LOOPER COVER BRACKET | ルハカハ ウケタイ | 1 |
| 21 | | 121-03206 | LOOPER COVER PRESSER PLATE | ルハカハ オサエ イタ | 1 |
| 22 | | 121-01408 | LOOPER COVER GUIDE PRATE | ルハカハ カイトハン | 1 |
| 23 | | 122-00655 | SIDE COVER ASM. | ヨコカハ クミ | 1 |
| 24 | | SS-4120615-SP | SCREW 3/16-28 L=6 | ナハネシ 3/16-28 L=6 | 2 |
| 25 | | SS-6111010-SP | SCREW 11/64-40 L= 9.5 | ヒラネシ 11/64-40 L=9.5 | 2 |
| 26 | | 121-03404 | LOOPER COVER PRESSER SPRING | ルハカハ オサエ ハネ | 1 |

2. FRAME COMPONENTS(2)

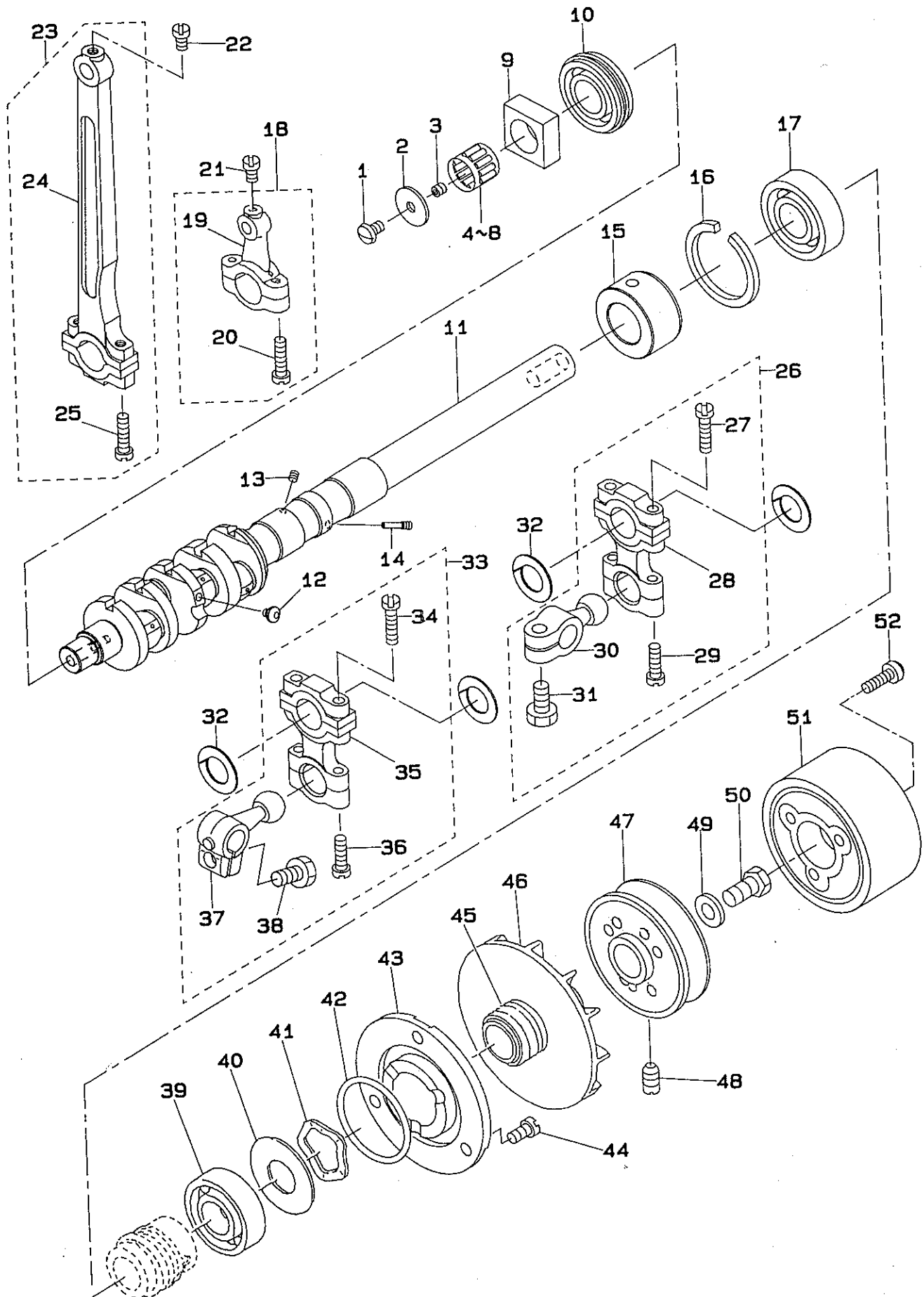
フレーム関係 (2)



| REF.NO | NOTE | PART NO. | DESCRIPTION | ヒソメイ | Qty |
|--------|------|---------------|---------------------------|-----------------------|-----|
| 1 | | 121-00400 | UPPER COVER | ウエカハ | 1 |
| 2 | | 121-00707 | GASKET | チュウエアナ フタ ハッキン | 1 |
| 3 | | 121-00608 | OIL CAP | チュウエアナ フタ | 1 |
| 4 | | SS-4121215-SP | SCREW 3/16-28 L=12 | ナハネジ 3/16-28 L=12 | 6 |
| 5 | | 121-00806 | OIL DRAIN SCREW | フィルタージツ ハイユネジ | 1 |
| 6 | | RO-0781901-00 | RUBBER RING | オリンク | 1 |
| 7 | | 121-01903 | BELT COVER | ベルトカハ | 1 |
| 8 | | SS-4151215-SP | SCREW | ナハネジ 15/64-28 L=12 | 3 |
| 9 | | 121-01804 | COOLING FAN PLATE | レイキヤクファン イタ | 1 |
| 10 | | SS-1110840-SP | SCREW 11/64-40 L=8 | サラネジ 11/64-40 L=8 | 1 |
| 11 | | SS-7110840-SP | SCREW 11/64-40 L=7.8 | マルヒラネジ 11/64-40 L=7.8 | 2 |
| 12 | | 121-00509 | UPPER COVER GASKET | ウエカハハッキン | 1 |
| 13 | | 121-00202 | SIDE COVER | ソクメン カハ | 1 |
| 14 | | 121-00301 | SIDE COVER GASKET | ソクメンカハハッキン | 1 |
| 15 | | SS-4110715-SP | SCREW 11/64-40 L=7 | ナハネジ 11/64-40 L=7 | 3 |
| 16 | | SS-2110920-TP | SCREW 11/64-40 L=8.5 | マルサラネジ 11/64-40 L=8.5 | 1 |
| 17 | | 121-02505 | BRAND BASE | ブランドベース | 1 |
| 18 | | SS-3090510-SP | SCREW 9/64-40 L=5 | マルネジ 9/64-40 L=5 | 2 |
| 19 | | TA-2050805-RO | RUBBER PLUG | トメセン D=20.5 L=8 | 1 |
| 20 | | SS-9151210-TP | SCREW 15/64-28 L=11.8 | ロツカクホルト 15/64-28 | 1 |
| 21 | | 118-05207 | THREAD GUIDE, LARGE | イトミチ タイ | 2 |
| 22 | | TA-1701107-RO | RUBBER PLUG | トメセン | 1 |
| 23 | | SS-5110710-SP | SCREW 11/64-40 L=7 | トラスネジ 11/64-40 L=7 | 1 |
| 24 | | WZ-0850302-KO | WAVED WASHER 8.5X12.5X0.3 | ナミカタサカネ 8.5X12.5X0.3 | 1 |
| 25 | | B3013-141-HOA | WASHER | シタロツト オサエカネ サカネ | 1 |
| 26 | | 121-02000 | SAFETY PLATE BRACKET | メホコカハタイ | 1 |
| 27 | | SS-7090611-SL | SCREW 9/64-40 L=6.1 | マルヒラネジ 9/64-40 L=6.1 | 2 |
| 28 | | 121-04907 | SAFETY PLATE | メホコカハ | 1 |
| 29 | | 115-03703 | SCREW STUD | シチューホルト | 4 |
| 30 | | WP-0751576-SD | WASHER 7.5X19X1.5 | ヒラサカネ 7.5X19X1.5 | 4 |
| 31 | | WS-0822010-KP | SPRING WASHER 8.2X15X2 | ハネサカネ 8.2X15X2 | 4 |
| 32 | | NS-6680410-SP | NUT 9/32-28 | ロツカクナツト 9/32-28 | 4 |
| 33 | | 122-01208 | OIL RESERVOIR GASKET | アブラタマリ ハッキン | 1 |
| 34 | | 122-01109 | OIL RESERVOIR | アブラタマリ | 1 |
| 35 | | 118-10306 | OIL DRAIN CAP GASKET | ハイユネジ ハッキン | 1 |
| 36 | | SS-6741010-SP | SCREW 3/8-28 L=10 | ヒラネジ 3/8-28 L=10 | 1 |
| 37 | | PS-0300132-KH | SPRING PIN 3X13 | スプリンクピオン | 1 |
| 38 | | TA-0750704-RO | RUBBER PLUG | トメセン | 1 |
| 39 | | TA-0800504-RO | PLUG D=8 L=4.5 | トメセン D=8X4.5 | 1 |
| 40 | | TA-1470702-RO | RUBBER PLUG | トメセン | 1 |
| 41 | | 122-60204 | BRAND LABEL | ブランドラベル | 1 |

3. CRANKSHAFT COMPONENTS

主軸関係



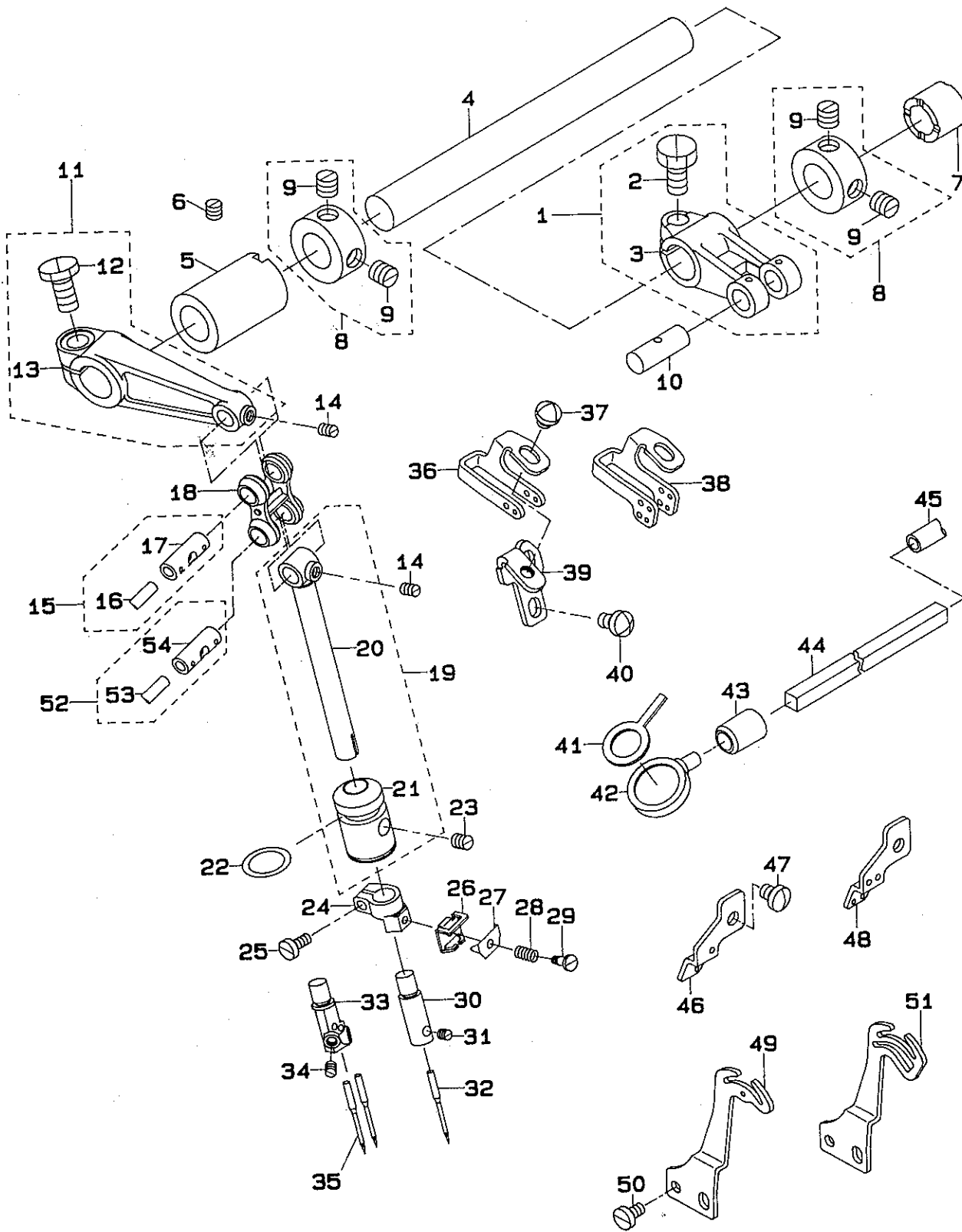
| REF.NO | NOTE | PART NO. | DESCRIPTION | ヒソメイ | Qty |
|--------|------|---------------|----------------------------|--|-----|
| 1 | | SS-5110740-TP | SCREW 11/64-40 L= 6.5 | トラスネジ 11/64-40 L=6.5 | 1 |
| 2 | | 122-04004 | THRUST HOLDER | カクコマ スラストウケ | 1 |
| 3 | | SS-8110422-TP | SCREW 11/64-40 L=4 | トメネジ 11/64-40 L=4 | 1 |
| 4 | #01 | SB-3120003-0A | BEARING | ゴロカ ^{リシ} クウケ | 1 |
| 5 | #01 | SB-3120003-0B | BEARING | ゴロカ ^{リシ} クウケ | 1 |
| 6 | #01 | SB-3120003-0C | BEARING | ゴロカ ^{リシ} クウケ | 1 |
| 7 | #01 | SB-3120003-0D | BEARING | ゴロカ ^{リシ} クウケ | 1 |
| 8 | #01 | SB-3120003-0E | BEARING | ゴロカ ^{リシ} クウケ | 1 |
| 9 | | 122-10100 | SLIDE BLOCK | ジ ^{ョウケ} オクリ カクコマ | 1 |
| 10 | | 122-04202 | BALL BEARING D | ジュ ^{シク} ホ ^{ール} ハ ^{アリソク} D | 1 |
| 11 | | 122-03600 | CRANK SHAFT | ジュ ^{シク} | 1 |
| 12 | | SS-5080212-TP | SCREW 1/8-44 L=2 | ハ ^{イント} ネジ | 5 |
| 13 | | SS-8080410-TP | SCREW 1/8-44 L=3.5 | トメネジ 1/8-44 L=3.5 | 1 |
| 14 | | 122-04103 | SCREW 1/8-44 L=3.2 | トメネジ 1/8-44 L=3.2 | 1 |
| 15 | | 122-03907 | CRANK SHAFT BUSHING C | Cメタル | 1 |
| 16 | | B1212-704-000 | SCREW 11/64-40 L=18 | マルヒラネジ 11/64-40 L=18 | 1 |
| 17 | | B1211-804-000 | BALL BEARING B | ジュ ^{シク} ホ ^{ール} ハ ^{アリソク} B | 1 |
| 18 | | 121-32155 | KNIFE DRIVING ROD ASM. | ウエ ^{メスロツト} クミ | 1 |
| 19 | | 121-32106 | KNIFE DRIVING ROD | ウエ ^{メスロツト} | (1) |
| 20 | | SS-7111810-TP | SCREW 11/64-40 L=18 | マルヒラネジ 11/64-40 L=18 | (2) |
| 21 | | SS-7110840-SP | SCREW 11/64-40 L=7.8 | マルヒラネジ 11/64-40 L=7.8 | 1 |
| 22 | | SS-7110840-SP | SCREW 11/64-40 L=7.8 | マルヒラネジ 11/64-40 L=7.8 | 1 |
| 23 | | 121-09153 | CONNECTING ROD ASM. | ハリクト ^ウ ロツト ^{クミ} | 1 |
| 24 | | 121-09104 | CONNECTING ROD | ハリクト ^ウ ロツト ^{クミ} | (1) |
| 25 | | SS-7111810-TP | BEARING RETAINER | ホ ^{ール} ハ ^{アリソク} トメワ | (2) |
| 26 | | 121-22354 | UPPER LOOPER ROD ASM. | ウエ ^ル ハ ^{タマウテ} クミ | 1 |
| 27 | | SS-7111810-TP | SCREW 11/64-40 L=18 | マルヒラネジ 11/64-40 L=18 | (2) |
| 28 | | 121-22107 | LOOPER DRIVING ROD | ル ^ハ ロツト ^{クミ} | (1) |
| 29 | | SS-7111410-TP | SCREW 11/64-40 L=14 | マルヒラネジ 11/64-40 L=14 | (2) |
| 30 | | 121-22305 | UPPER LOOPER ARM | ウエ ^ル ハ ^{キョウワン} | (1) |
| 31 | | SS-9151210-TP | SCREW 15/64-28 L=11.8 | ロツカクホ ^{ルト} 15/64-28 | (1) |
| 32 | | 121-22206 | STOPPER | ル ^ハ ロツト ^{フレトメ} | 4 |
| 33 | | 122-15158 | LOWER LOOPER ROD ASM., A | シタル ^ハ タマウテ ^A クミ | 1 |
| 34 | | SS-7111810-TP | SCREW 11/64-40 L=18. | マルヒラネジ 11/64-40 L=18 | (2) |
| 35 | | 121-22107 | LOOPER DRIVING ROD | ル ^ハ ロツト ^{クミ} | (1) |
| 36 | | SS-7111410-TP | SCREW 11/64-40 L=14 | マルヒラネジ 11/64-40 L=14 | (2) |
| 37 | | 122-15109 | LOWER LOOPER ARM A | シタル ^ハ キョウワン ^A | (1) |
| 38 | | SS-9151210-TP | SCREW 15/64-28 L=11.8 | ロツカクホ ^{ルト} 15/64-28 | (1) |
| 39 | | B1211-804-000 | BALL BEARING A | ジュ ^{シク} ホ ^{ール} ハ ^{アリソク} A | 1 |
| 40 | | 115-10609 | WASHER | ハ ^{アリソク} ウケイタ | 1 |
| 41 | | WZ-2640310-KH | WAVED WASHER 26.4X33.9X3.5 | ナミカ ^{タサ} カ ^ネ 26.4X33.9X3.5 | 1 |
| 42 | | RO-3473501-00 | RUBBER RING | Oリング | 1 |
| 43 | | 121-07702 | THRUST HOLDER | スラストウケ | 1 |
| 44 | | SS-4120915-SP | SCREW 3/16-28 L=9 | ナ ^ハ ネジ 3/16-28 L=9 | 3 |
| 45 | | 121-07801 | OIL SHIELD | ジュ ^{シク} カ ^ア ラ ^キ | 1 |
| 46 | | 118-11601 | COOLING FAN | レイキヤクファン | 1 |
| 47 | | 121-07611 | FLYWHEEL | ハス ^{ミク} ルマ(A) | 1 |
| 48 | | SS-8151150-SP | SCREW 15/64-28 L=10.5 | トメネジ 15/64-28 L=10.5 | 2 |
| 49 | | WP-0764016-SP | WASHER | ヒラサ ^カ ネ 76X20X4 | 1 |
| 50 | | SS-9681610-TP | SCREW 9/32-28 L=16 | ロツカクホ ^{ルト} 9/32-28 L=16 | 1 |
| 51 | | 122-03816 | FLYWHEEL C | ハス ^{ミク} ルマ(C) | 1 |
| 52 | | SS-7111410-SP | SCREW 11/64-40 L=14 | マルヒラネジ 11/64-40 L=14 | 3 |

Note (注記) #01....SELECTIVE PART

選択部品

4. NEEDLE DRIVING SHAFT COMPONENTS

針驅動軸關係



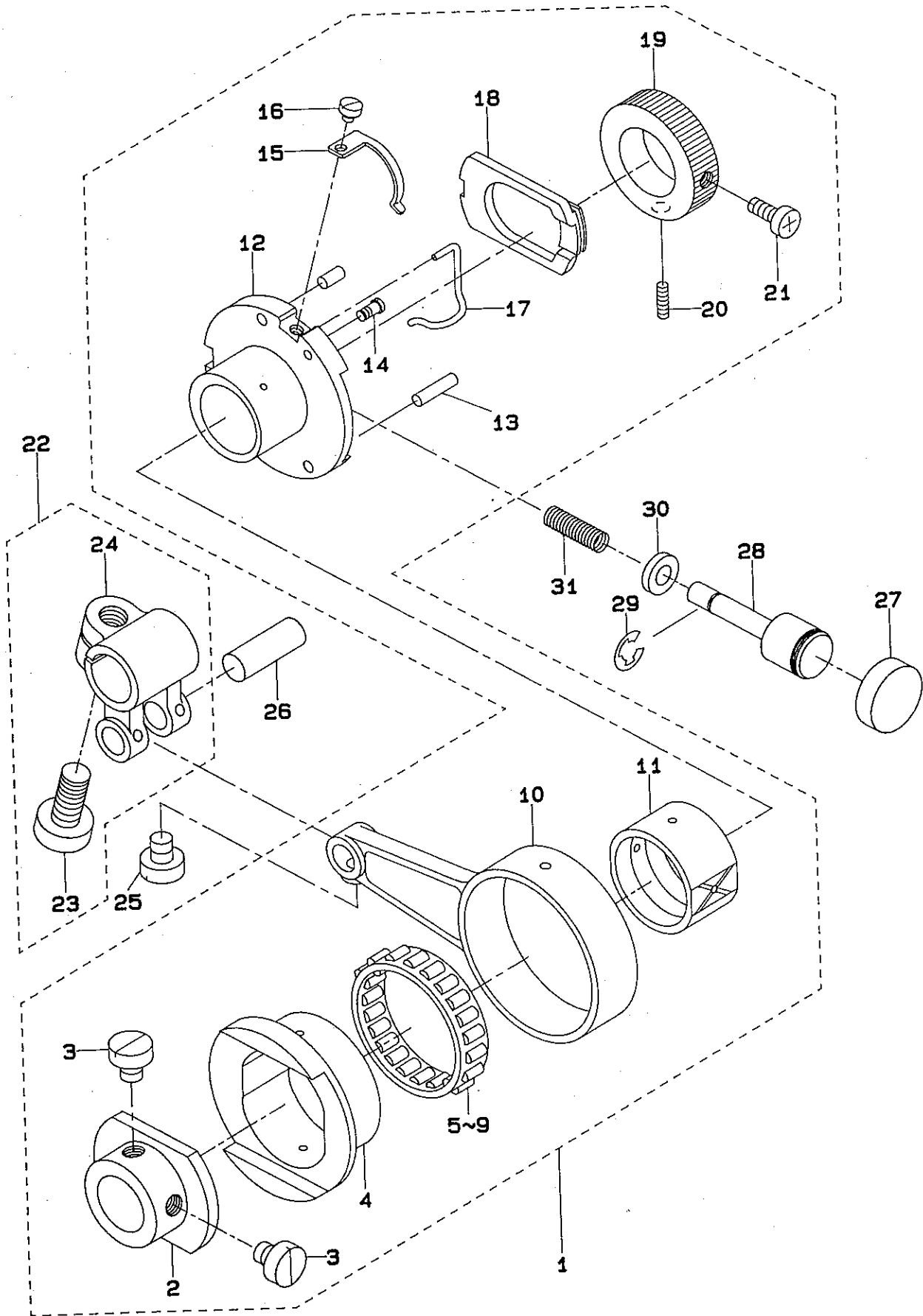
| REF.NO | NOTE | PART NO. | DESCRIPTION | ヒンメイ | Qty |
|--------|------|---------------|--------------------------------|---------------------|-------|
| 1 | | 121-09252 | FEED FORKED CRANK ASM. | ハリクトウ フタマタ クランク クミ | 1 |
| 2 | | SS-9151210-TP | SCREW 15/64-28 L=11.8 | ロツカクホルム 15/64-28 | (1) |
| 3 | | 121-09203 | NEEDLE DRIVING FORKED CRANK | ハリクトウ フタマタ クランク | (1) |
| 4 | | 121-09302 | NEEDLE DRIVING SHAFT | ハリクトウウシク | 1 |
| 5 | | 121-09401 | BUSHING, FRONT | ハリクトウウシク マエメタル | 1 |
| 6 | | SS-8120410-SP | SCREW | トメネジ | 1 |
| 7 | | 121-09500 | BUSHING, REAR | ハリクトウウシク ウシロメタル | 1 |
| 8 | | CS-1201010-SH | THRUST COLLAR ASM. D=12 W=10 | スラストウケ D=12 W=10 クミ | 2 |
| 9 | | SS-8660610-TP | SCREW 1/4-40 L=6 | トメネジ 1/4-40 L=6 | (4) |
| 10 | #01 | 118-23804 | CRANK PIN C | オクリフタマタ クランクピョン C | 1 |
| 11 | | 121-09658 | NEEDLE DRIVING ARM ASM. | ハリクトウウチ クミ | 1 |
| 12 | | SS-9151210-TP | SCREW 15/64-28 L=11.8 | ロツカクホルム 15/64-28 | (1) |
| 13 | | 121-09609 | NEEDLE DRIVING LEVER | ハリクトウウチ | (1) |
| 14 | | SS-8090530-TP | SCREW 9/64-40 L= 5.0 | トメネジ 9/64-40 L=5 | 2 |
| 15 | #01 | 121-09955 | LINK PIN ASM. | ハリクトウウリンク ピョン クミ | 1 |
| 16 | | CQ-2520000-00 | OIL WICK | ユシ | (0.1) |
| 17 | | 121-09906 | LINK PIN C | ハリクトウウリンク ピョン C | (2) |
| 18 | | 121-10102 | NEEDLE DRIVING LINK | ハリクトウウリンク | 1 |
| 19 | | 121-10250 | NEEDLE HOLDER ASM. | ハリホウ クミ | 1 |
| 20 | | 121-10201 | NEEDLE HOLDER | ハリホウ | (1) |
| 21 | | 121-10300 | NEEDLE HOLDER BUSHING | ハリホウ メタル | (1) |
| 22 | | RO-1082401-00 | RUBBER RING | Oリング | 1 |
| 23 | | SS-8110710-SP | SCREW | トメネジ | 1 |
| 24 | | 121-10409 | NEEDLE CLAMP HOLDER | ハリトメ タキ | 1 |
| 25 | | SS-6080720-SP | SCREW | ヒラネジ 1/8-44 L=7 | 1 |
| 26 | #05 | 121-10607 | NEEDLE THREAD PRESSER GUIDE, A | ハリトオサエ イトアンナイ A | 1 |
| 27 | | 121-10904 | NEEDLE THREAD PRESSER PLATE | ハリトオサエイタ A | 1 |
| 28 | | 121-10805 | NEEDLE THREAD PRESSER SPRING | ハリトオサエ ハネ | 1 |
| 29 | | SD-0280401-SL | HINGE SCREW D=2.8 H=4 | タネネジ D=2.8 H=4 | 1 |
| 30 | #02 | 121-48607 | NEEDLE CLAMP | 1 ホンハリハリトメ | 1 |
| 31 | #02 | SS-8080310-TP | SCREW 1/8-44 L=2.8 | トメネジ 1/8-44 L=2.8 | 1 |
| 32 | #02 | MDC-270B1100 | NEEDLE DCX27 #11 | ハリ DCX27 #11 | 1 |
| 33 | #03 | 121-48706 | NEEDLE CLAMP, 2-NEEDLE | ニホンハリハリトメ | 1 |
| 34 | #03 | SS-8080310-TP | SCREW 1/8-44 L=2.8 | トメネジ 1/8-44 L=2.8 | 2 |
| 35 | #03 | MDC-270B1100 | NEEDLE DCX27 #11 | ハリ DCX27 #11 | 2 |
| 36 | #02 | 121-11209 | NEEDLE THREAD GUIDE | ハリイトアンナイ | 1 |
| 37 | | SS-4110515-SP | SCREW 11/64-40 L=5 | ナネネジ 11/64-40 L=5 | 1 |
| 38 | #03 | 121-11308 | THREAD GUIDE, 2-NEEDLE | ニホンハリハリイトアンナイ | 1 |
| 39 | | 121-12108 | NEEDLE THREAD GUIDE STAND | ハリイト アンナイタイ | 1 |
| 40 | | SS-4110715-SP | SCREW 11/64-40 L=7 | ナネネジ 11/64-40 L=7 | 2 |
| 41 | | 121-12306 | FELT A | ハリ カンリュウフェルト A | 1 |
| 42 | | 121-12207 | COVER | ハリ カンリュウカバー | 1 |
| 43 | | TA-0951301-RO | OIL FELT | トメセン | 1 |
| 44 | | 121-12405 | FELT B | ハリ カンリュウフェルト B | 1 |
| 45 | | BT-0600402-EA | LUBRICATING PIPE | チューブ | 0.2 |
| 46 | #02 | 121-11803 | TAKE-UP LEVER GUIDE | ハリイト テンヒンガイド | 1 |
| 47 | | SS-4110515-SP | SCREW 11/64-40 L=5 | ナネネジ 11/64-40 L=5 | 1 |
| 48 | #03 | 121-11902 | TAKE-UP LEVER GUIDE, 2-NEEDLE | ニホンハリハリイトテンヒンガイド | 1 |
| 49 | #02 | 121-11506 | NEEDLE THREAD TAKE-UP LEVER | ハリイト テンヒン | 1 |
| 50 | | SS-6090670-TP | SCREW 9/64-40 L=6 | ヒラネジ 9/64-40 L=6 | 2 |
| 51 | #03 | 121-11605 | TAKE-UP LEVER, 2-NEEDLE | ニホンハリハリイトテンヒン | 1 |
| 52 | #01 | 121-09955 | LINK PIN ASM. | ハリクトウウリンクピョン クミ | 1 |
| 53 | | CQ-2520000-00 | OIL WICK | ユシ | (0.1) |
| 54 | | 121-09906 | LINK PIN C | ハリクトウウリンク ピョン C | (1) |

Note (注記) #01...SELECTING PART FOR FIT TOLERANCE
 #02...FOR SP161S800M040
 #03...FOR SP172S900MADC

選択かん合部品
 SP161S800M040 用
 SP172S900MADC 用

5. FEED MECHANISM COMPONENTS(1)

送り関係(1)



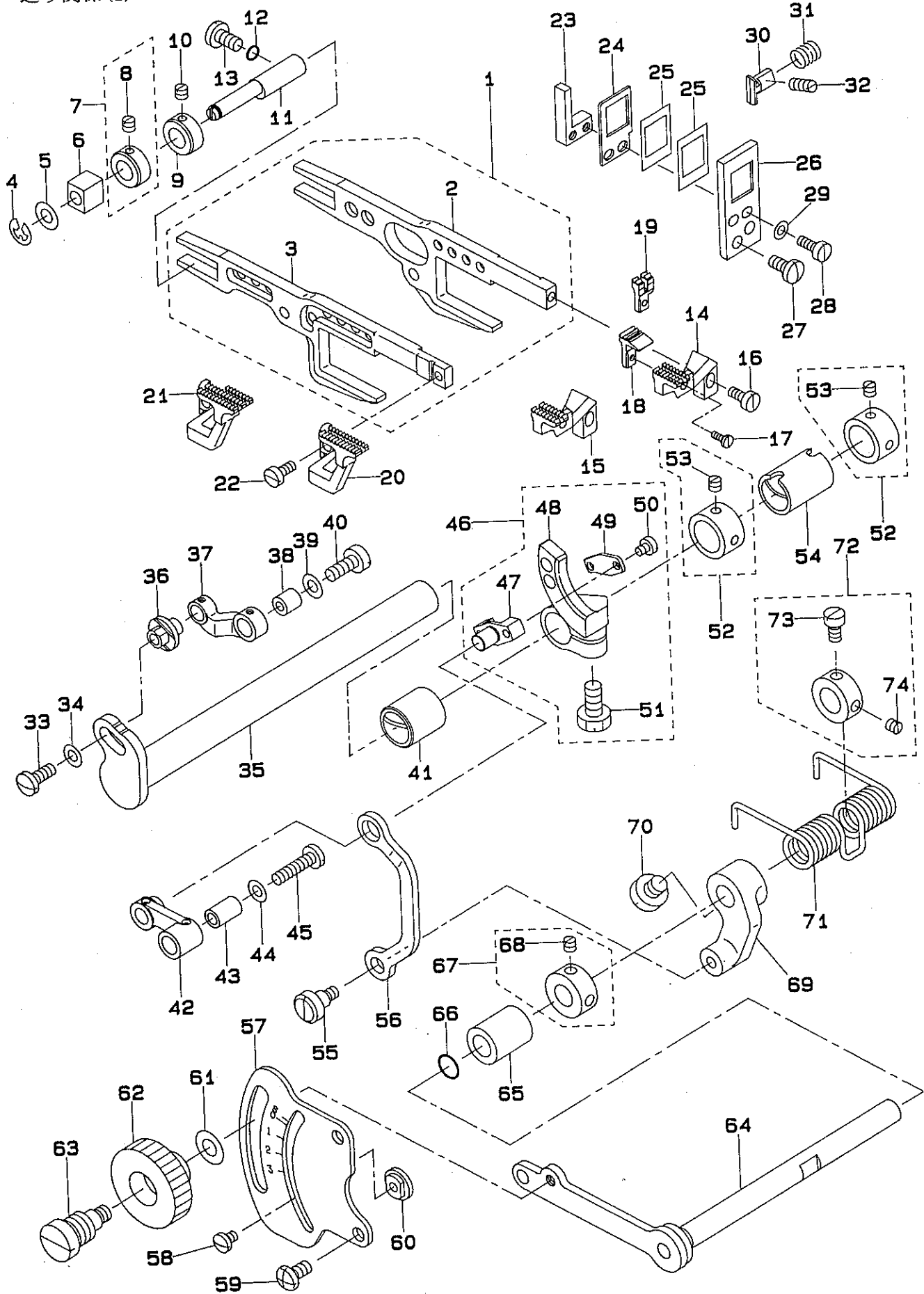
| REF.NO | NOTE | PART NO. | DESCRIPTION | ヒンメイ | Qty |
|--------|------|---------------|----------------------------|---|-----|
| 1 | | 122-08161 | FEED ECCENTRIC BODY ASM. | オクリカム シジ ^ツ タ ^イ クミ | 1 |
| 2 | | 122-08104 | FEED ECCENTRIC BODY | オクリカム シジ ^ツ タ ^イ | (1) |
| 3 | | SS-6660710-TP | SCREW 1/4-40 L=7 | ヒラネジ ^ツ 1/4-40 L=7 | (2) |
| 4 | | 122-08203 | FEED CAM | オクリカム | (1) |
| 5 | #01 | SB-3350002-0A | BEARING | コロカ ^リ リジ ^ク ウケ | (1) |
| 6 | #01 | SB-3350002-0B | BEARING | コロカ ^リ リジ ^ク ウケ | (1) |
| 7 | #01 | SB-3350002-0C | BEARING | コロカ ^リ リジ ^ク ウケ | (1) |
| 8 | #01 | SB-3350002-0D | BEARING | コロカ ^リ リジ ^ク ウケ | (1) |
| 9 | #01 | SB-3350002-0E | BEARING | コロカ ^リ リジ ^ク ウケ | (1) |
| 10 | | 122-08906 | CRANK ROD | オクリクランク ロット ^ツ | (1) |
| 11 | | 122-08302 | SLIDE BLOCK | オクリカム カクコ ^マ | (1) |
| 12 | | 122-08401 | FEED ADJUSTING CAM | オクリチョウセツ カム | (1) |
| 13 | | PS-0300132-KH | SPRING PIN 3X13 | スプリング ^ク ピ ^ン | (2) |
| 14 | | SD-0260271-SP | HINGE SCREW D= 2.60 H= 2.7 | タ ^ン ネジ ^ツ D=2.6 H=2.7 | (1) |
| 15 | | 122-08807 | RATCHET GEAR SPRING | ラ ^チ ェット キ ^ギ ハ ^ネ | (1) |
| 16 | | SS-6080340-SP | SCREW 1/8-44 L=3.0 | ヒラネジ ^ツ 1/8-44 L=2.9 | (1) |
| 17 | | 122-08609 | RATCHET PAWL SPRING | ラ ^チ ェット オサ ^エ ハ ^ネ | (1) |
| 18 | | 122-08500 | RATCHET PAWL | ラ ^チ ェット | (1) |
| 19 | | 122-08708 | RATCHET GEAR | ラ ^チ ェットキ ^ギ | (1) |
| 20 | | SS-6111110-SP | SCREW 11/64-40 L=11.0 | ヒラネジ ^ツ 11/64-40 L=11 | (1) |
| 21 | | SS-8110520-TP | SCREW 11/64-40 L= 4.5 | トメネジ ^ツ 11/64-40 L=4.5 | (1) |
| 22 | | 122-09052 | FORKEND CRANK ASM. | オクリフタマタクランク クミ | 1 |
| 23 | | SS-9151210-TP | SCREW 15/64-28 L=11.8 | ロツカクホル ^ト 15/64-28 | (1) |
| 24 | | 122-09003 | FORKEND CRANK | オクリ フタマタクランク | (1) |
| 25 | | SS-7110910-TP | SCREW 11/64-40 L= 8.5 | マルヒラネジ ^ツ 11/64-40 L=8.5 | 1 |
| 26 | #01 | 118-23804 | CRANK PIN C | オクリフタマタ クランクピ ^ン C | 1 |
| 27 | | 122-11801 | PUSH BOTTON CAP | オンホ ^{タン} キャップ ^〇 | 1 |
| 28 | | 122-11702 | PUSH BOTTON STUD | オンホ ^{タン} ジ ^ク | 1 |
| 29 | | RE-0320000-K0 | SNAP RING 3.2 | Eカ ^タ メワ 3.2 | 1 |
| 30 | | 121-18600 | OIL SHEET | オンホ ^{タン} ジ ^ク オイルシート | 1 |
| 31 | | B1652-704-000 | SPRING | オンホ ^{タン} ハ ^ネ | 1 |

Note (注記) #01...SELECTIVE PART

選択部品

6. FEED MECHANISM COMPONENTS(2)

送り関係(2)



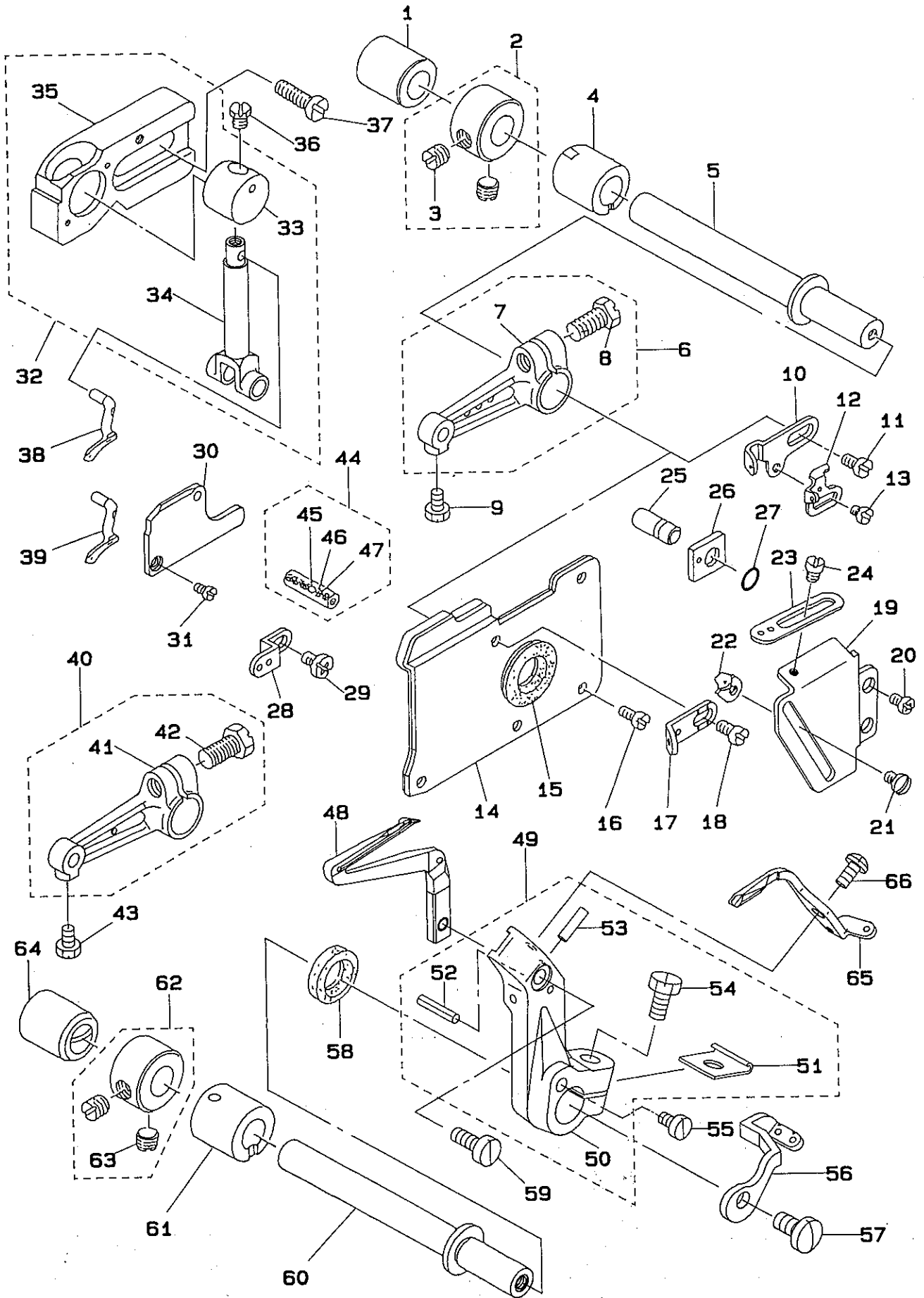
| REF.NO | NOTE | PART NO. | DESCRIPTION | ヒンメイ | Qty |
|--------|------|-----------------|--------------------------------|-----------------------|-----|
| 1 | | 122-09953 | MAIN FEED BAR ASM. | シュオクリヨウトウカン | 1 |
| 2 | | 122-09904 | MAIN FEED BAR | シュ オクリ ヨウトウカン | (1) |
| 3 | | 122-10001 | DIFFERENTIAL FEED BAR | フク オクリ ヨウトウカン | (1) |
| 4 | | RE-0400000-KO | E-SHAPED SNAP RING (4MM) | Eカクシメワ 4 | 1 |
| 5 | | 115-29906 | WASHER | ヨートウカンササエシメク サカネ | 1 |
| 6 | | 122-10308 | SLIDE BLOCK | ヨウトウカンササエ カクコマ | 1 |
| 7 | | 118-28050 | COLLAR ASM. | ササエシメク カラー クミ | 1 |
| 8 | | SS-8110410-TP | SCREW 11/64-40 L= 3.5 | トメネジ 11/64-40 L=3.5 | (1) |
| 9 | | CS-0790731-SH | THRUST COLLAR | スラストウケ | (1) |
| 10 | | SS-8110410-TP | SCREW 11/64-40 L= 3.5 | トメネジ 11/64-40 L=3.5 | 1 |
| 11 | | 122-10209 | FEED BAR SHAFT | ヨウトウカン ササエシメク | 1 |
| 12 | | RO-0371801-00 | RUBBER RING | Oリング | 1 |
| 13 | | SS-7120910-SP | SCREW 3/16-28 L=9 | マルヒラネジ 3/16-28 L=9 | 1 |
| 14 | #01 | 122-35107 | MAIN FEED DOG | シュ オクリハ | 1 |
| 15 | #02 | 122-35206 | MAIN FEED DOG | シュ オクリハ | 1 |
| 16 | | SS-6090810-TP | SCREW 9/64-40 L=7.5 | ヒラネジ 9/64-40 L=7.5 | 1 |
| 17 | | SS-7060610-SP | SCREW 3/32-56 L= 5.5 | マルヒラネジ 3/32-56 L=5.5 | 1 |
| 18 | | 122-38101 | AUXILIARY FEED DOG | ホジヨ オクリハ | 1 |
| 19 | #03 | 122-38200 | AUXILIARY FEED DOG | ホジヨオクリハ | 1 |
| 20 | #01 | 122-36600 | DIFFERENTIAL FEED DOG | フク オクリハ | 1 |
| 21 | #02 | 122-36709 | DIFFERENTIAL FEED DOG | フク オクリハ | 1 |
| 22 | | SS-6090810-TP | SCREW 9/64-40 L=7.5 | ヒラネジ 9/64-40 L=7.5 | 1 |
| 23 | | 122-10605 | FEED BAR SUPPORT, LEFT | ヨウトウカン オサエ ヒタリ | 1 |
| 24 | | 122-10506 | RUBBER SUPPORT | ホウジンゴムオサエ | 1 |
| 25 | | 121-18303 | RUBBER | ホウジンゴム | 2 |
| 26 | | 122-10407 | RUBBER CASE | ホウジンゴムケース | 1 |
| 27 | | SS-7110910-SP | SCREW 11/64-40 L=8.5 | マルヒラネジ 11/64-40 L=8.5 | 2 |
| 28 | | SS-6090910-TP | SCREW 9/64-40 L=9 | ヒラネジ 9/64-40 L=9 | 2 |
| 29 | | WP-0371026-SD | WASHER 3.7X7X1 | ヒラサカネ 3.7X7X1 | 2 |
| 30 | | 122-10704 | FEED BAR SUPPORT, RIGHT | ヨウトウカン オサエ ミキ | 1 |
| 31 | | 122-10803 | SPRING | ヨウトウカン オサエハネ | 1 |
| 32 | | SS-8111010-TP | SCREW 11/64-40 L=9.5 | トメネジ 11/64-40 L=9.5 | 1 |
| 33 | | SS-6111010-TP | SCREW | マルヒラネジ | 1 |
| 34 | | B3228-771-00B | BOBBIN WINDER SPACER | イトマキ スパ-サ- | 1 |
| 35 | | 122-09102 | ROCKER SHAFT | オクリシメク | 1 |
| 36 | | 122-09201 | MAIN FEED PIN | シュ オクリピン | 1 |
| 37 | | 122-09300 | MAIN FEED LINK | シュ オクリ リンク | 1 |
| 38 | | B1620-804-000 | COLLAR | シュオクリ ヒンカラ | 1 |
| 39 | | B1707-155-000 | FEED DRIVING SLIDE BLOCK WASHE | オクリ カクコマシメク サカネ | 1 |
| 40 | | SS-6121220-TP | SCREW 3/16-28 L=11.5 | ヒラネジ 3/16-28 L=11.5 | 1 |
| 41 | | 122-10902 | BUSHING, FRONT | オクリシメク マイメタル | 1 |
| 42 | | 122-09805 | LINK | フクオクリ リンク | 1 |
| 43 | | 122-09706 | COLLAR | フクオクリ リンクカラ | 1 |
| 44 | | WP-0451026-SH | WASHER | ヒラサカネ | 1 |
| 45 | | SS-7111810-TP | SCREW 11/64-40 L=18 | マルヒラネジ 11/64-40 L=18 | 1 |
| 46 | | 122-09458 | SUB-FEED ARM ASM. | フクオクリウケ (クミ) | 1 |
| 47 | | 122-09508 | PIN | フクオクリ ピン | (1) |
| 48 | | 122-09409 | FEED ROCKER | フク オクリ ウケ | (1) |
| 49 | | 122-09607 | PIN COVER | フクオクリ ピン フタ | (1) |
| 50 | | SS-6080410-SP | SCREW 1/8-44 L=4 | ヒラネジ 1/8-44 L=4 | (2) |
| 51 | | SS-9151210-TP | SCREW 15/64-28 L=11.8 | ロツカホルト 15/64-28 | (1) |
| 52 | | CS-127101A-SH | THRUST COLLAR ASM. D=12.7 W=10 | スラストウケ D=12.7 W=10 クミ | 2 |
| 53 | | SS-8660610-TP | SCREW 1/4-40 L=6 | トメネジ 1/4-40 L=6 | (4) |
| 54 | | 122-11009 | BUSHING, REAR | オクリシメク ウシロメタル | 1 |
| 55 | | SD-0640321-TP | HINGE SCREW | タネネジ | 1 |
| 56 | | 122-11405 | LINK | サトウ チョウセツ リンク | 1 |
| 57 | | 122-11603 | DIFFERENTIAL FEED GRADUATION | サトウチョウセツ メモリイタ | 1 |
| 58 | | SS-7090540-TP | SCREW 9/64-40 L=5 | マルヒラネジ 9/64-40 L=5 | 2 |
| 59 | | SS-4120915-SP | SCREW 3/16-28 L=9 | ナネネジ 3/16-28 L=9 | 2 |
| 60 | | 115-29905 | STOPPER | サトウチョウセツ ストップ- | 2 |
| 61 | | WP-0621016-SD | WASHER 6.2X13X1 | ヒラサカネ 6.2X13X1 | 1 |
| 62 | | B1647-704-000-A | DIFFERENTIAL FEED LOCK NUT | サトウ ロツクナツト | 1 |
| 63 | | B1646-704-000-A | DIFFERENTIAL FEED HINGE SCREW | サトウ タネネジ | 1 |
| 64 | | 122-11157 | ROCKER SHAFT ASM. | サトウチョウセツシメク ケツゴウ | 1 |
| 65 | | 121-18709 | ROCKER SHAFT METAL | サトウ チョウセツシメク メタル | 1 |
| 66 | | RO-0601501-00 | RUBBER RING | Oリング | 1 |
| 67 | | CS-087081B-SH | THRUST COLLAR ASM. | スラストカラークミ | 1 |
| 68 | | SS-8110410-TP | SCREW 11/64-40 L= 3.5 | トメネジ 11/64-40 L=3.5 | 2 |
| 69 | | 122-11306 | DIFFERENTIAL FEED ROCKER | サトウチョウセツウケ | 1 |
| 70 | | SS-6660610-TP | SCREW 1/4-40 L=6 | ヒラネジ 1/4-40 L=6 | 1 |
| 71 | | 122-11504 | SPRING | サトウ チョウセツレハ- ハネ | 1 |
| 72 | | CS-087081C-SH | THRUST COLLAR ASM. | スラストカラークミ | 1 |
| 73 | | B1536-804-000 | PIN | オサエシメク スラストウケピン | 1 |
| 74 | | SS-8110410-TP | SCREW 11/64-40 L= 3.5 | トメネジ 11/64-40 L=3.5 | 1 |

Note (注記) #01...FOR SP161S800M040
#02...FOR SP172S900MADC
#03...FOR P05/Q01 EXCHANGING PARTS

SP161S800M040 用
SP172S900MADC 用
P05/Q01 交換部品

7. UPPER & LOWER LOOPER COMPONENTS

上ルーパー、下ルーパー関係

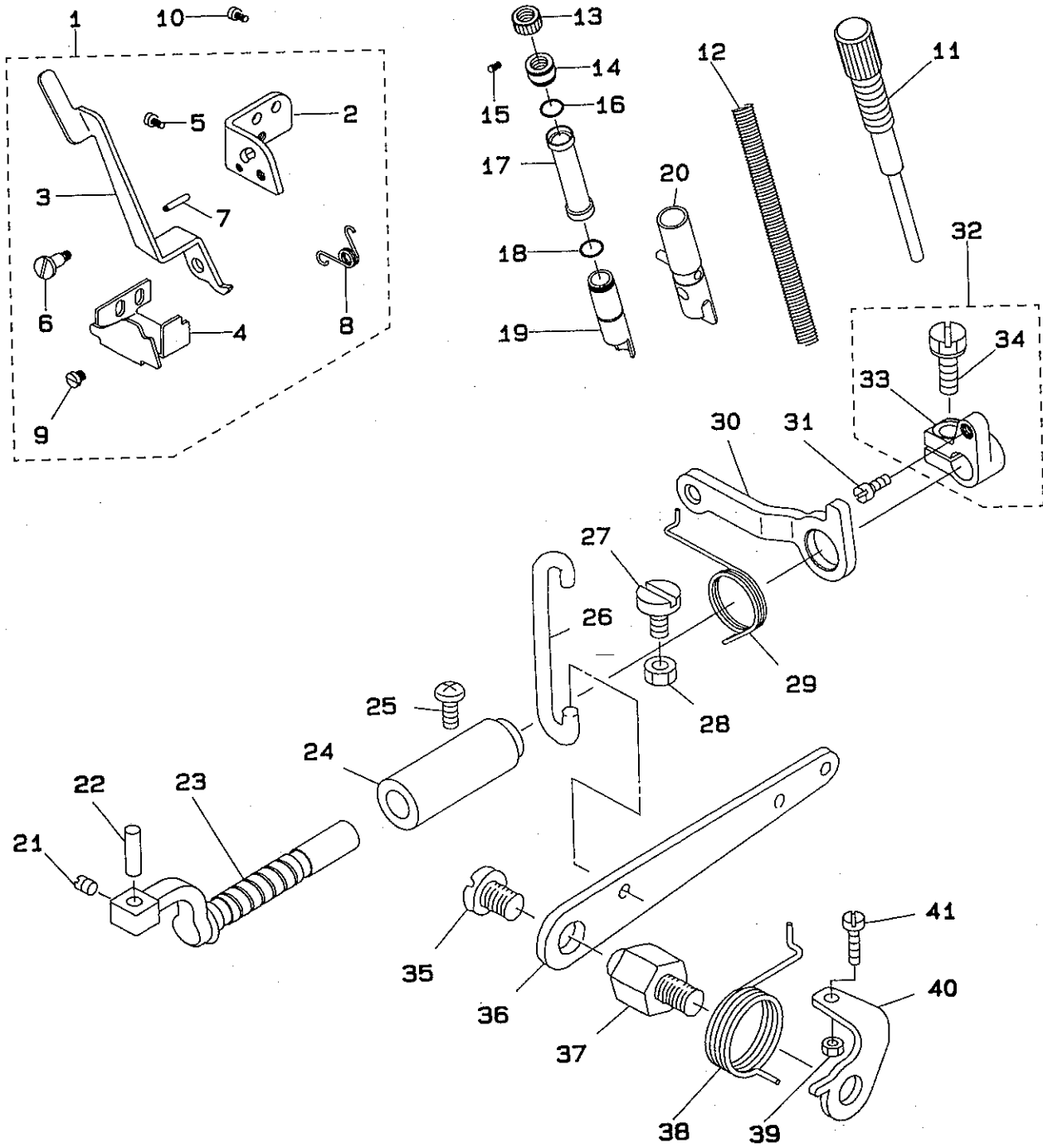


| REF.NO | NOTE | PART NO. | DESCRIPTION | ヒンメイ | Qty |
|--------|------|---------------|--------------------------------|------------------------|-------|
| 1 | | 121-22602 | BUSHING, REAR | ル-ハ°-ジク ウシロメタル | 1 |
| 2 | | CS-103121A-SH | COLLAR ASM. D=10.32 W=12 | スラストウケ D=10.32 W=12 | クミ 1 |
| 3 | | SS-8660530-TP | SCREW 1/4-40 L= 4.5 | トメネジ 1/4-40 L=4.5 | (2) |
| 4 | | 121-22503 | BUSHING, FRONT | ル-ハ°-ジク マイメタル | 1 |
| 5 | | 121-22404 | UPPER LOOPER SHAFT | ウエ ル-ハ°-ジク | 1 |
| 6 | #02 | 122-14656 | UPPER LOOPER ARM D ASM. | ウエル-ハ°-ウテ`D(クミ) | 1 |
| 7 | | 122-14607 | UPPER LOOPER ARM D | ウエル-ハ°-ウテ`D | (1) |
| 8 | | SS-9151210-TP | SCREW 15/64-28 L=11.8 | ロツカクホルト 15/64-28 | (1) |
| 9 | | SS-9090610-TP | SCREW 9/64-40 L=5.5 | ロツカクホルト 9/64-40 L=5.5 | 1 |
| 10 | | 121-24004 | THREAD TAKE-UP, RIGHT | ウエル-ハ°-デンヒン`ミキ` | 1 |
| 11 | | SS-7110840-SP | SCREW 11/64-40 L=7.8 | マルヒラネジ 11/64-40 L=7.8 | 1 |
| 12 | | 118-33506 | LOWER LOOPER THREAD TAKE-UP | シタル-ハ°`デンヒン` | 1 |
| 13 | | SS-6080410-SP | SCREW 1/8-44 L=4 | ヒラネジ 1/8-44 L=4 | 1 |
| 14 | | 122-15554 | OIL SHIELD PLATE ASM. | ル-ハ°-カ`イト`エホ`ウハ`ン`クミ | 1 |
| 15 | | B2530-704-000 | UPPER LOOPER SHAFT RUBBER RING | ウウル-ハ°`ジク`ゴムワ | 1 |
| 16 | | SS-6090630-SP | SCREW 9/64-40 L=6 | ヒラネジ 9/64-40 L=6 | 1 |
| 17 | | 121-24202 | UPPER LOOPER THREAD GUIDE | ウエル-ハ°-イトアンナイ`チュウ | 1 |
| 18 | | SS-7090850-SP | SCREW 9/64-40 L=8 | マルヒラネジ 9/64-40 L=8 | 1 |
| 19 | | 121-23808 | LOOPER THREAD TAKE-UP COVER | ル-ハ°-デンヒン`カハ` | 1 |
| 20 | | SS-4110715-SP | SCREW 11/64-40 L=7 | ナハ`ネジ 11/64-40 L=7 | 2 |
| 21 | | SS-3090610-SP | SCREW 9/64-40 L=6 | マルネジ 9/64-40 L=6 | 1 |
| 22 | | 118-33407 | LOWER LOOPER THREAD GUIDE | シタル-ハ°`イトアンナイ` | 1 |
| 23 | | 121-23907 | THREAD GUIDE, RIGHT | ウエ ル-ハ°-イトアンナイ`ミキ` | 1 |
| 24 | | SS-3090610-SP | SCREW 9/64-40 L=6 | マルネジ 9/64-40 L=6 | 1 |
| 25 | | 118-31906 | PIN | ケ`-ジク`コチイ`ヒン` | 1 |
| 26 | | 118-31807 | GAUGE | ウウル-ハ°`カ`イト`ササエ`ケ`-ジク` | 1 |
| 27 | | RO-0371801-00 | RUBBER RING | 0リソク` | 1 |
| 28 | | 122-15703 | LOOPER THREAD GUIDE, UPPER | ウエ ル-ハ°-`イトアンナイ(ウエ) | 1 |
| 29 | | SS-4090615-SP | SCREW 9/64-40 L=6 | ナハ`ネジ 9/64-40 L=6 | 1 |
| 30 | | 122-14805 | UPPER LOOPER GUIDE COVER | ウエ ル-ハ°-カ`イト`フタ | 1 |
| 31 | | SS-7060610-SP | SCREW 3/32-56 L= 5.5 | マルヒラネジ 3/32-56 L=5.5 | 2 |
| 32 | | 122-14755 | UPPER LOOPER GUIDE ASM. | ウエル-ハ°-カ`イト`ササエ`クミ | 1 |
| 33 | | 121-23204 | UPPER LOOPER GUIDE | ウエル-ハ°-カ`イト` | 1 |
| 34 | | 121-22909 | UPPER LOOPER HOLDER | ウエ ル-ハ°-タ`キ` | 1 |
| 35 | | 122-14706 | UPPER LOOPER GUIDE SUPPORT | ウエ ル-ハ°-カ`イト`ササエ` | 1 |
| 36 | | SS-9090410-TP | SCREW | ロツカクホルト | 1 |
| 37 | | SS-7151340-TP | SCREW 15/64-28 L=12.5 | マルヒラネジ | 2 |
| 38 | #04 | 122-47300 | UPPER LOOPER | ウエ ル-ハ°- | 1 |
| 39 | #05 | 122-47102 | UPPER LOOPER | ウエル-ハ°- | 1 |
| 40 | #01 | 121-22859 | UPPER LOOPER ARM B ASM. | ウエ ル-ハ°-`ウテ`B`クミ | 1 |
| 41 | | 121-22800 | UPPER LOOPER ARM B | ウエ ル-ハ°-`ウテ`B` | (1) |
| 42 | | SS-9151210-TP | SCREW 15/64-28 L=11.8 | ロツカクホルト 15/64-28 | (1) |
| 43 | | SS-9090610-TP | SCREW 9/64-40 L=5.5 | ロツカクホルト 9/64-40 L=5.5 | 1 |
| 44 | #03 | 118-31757 | PIN ASM. | ウウル-ハ°`タ`キ`ヒン`クミ | 1 |
| 45 | | 118-31708 | OIL WICK STOPPER BALL | エジソトメタ`マ` | (1) |
| 46 | | CQ-2020000-00 | OIL WICK | エジソ | (0.1) |
| 47 | | CQ-2000000-00 | OIL WICK | エジソ | (0.1) |
| 48 | | 122-40107 | LOWER LOOPER | シタ ル-ハ°- | 1 |
| 49 | | 122-15356 | LOWER LOOPER ARM ASM. | シタ ル-ハ°-`ジク`ウテ``クミ | 1 |
| 50 | | 122-15307 | LOWER LOOPER ARM | シタ ル-ハ°-`ジク`ウテ` | (1) |
| 51 | | B2531-704-000 | WASHER | ジク`ウテ``シメワツシヤ` | (1) |
| 52 | | PS-0200062-KH | SPRING PIN 2X6 | スプリソク`ヒン` 2X6 | (1) |
| 53 | | 135-08700 | HOOK COVER PRESSER SPRING PIN | カマカハ`-`オサエ`ハ`ネヒン` | (1) |
| 54 | | SS-9151210-TP | SCREW 15/64-28 L=11.8 | ロツカクホルト 15/64-28 | (1) |
| 55 | | SS-6090630-TP | SCREW 9/64-40 L=6 | ヒラネジ 9/64-40 L=6 | 1 |
| 56 | | 122-15604 | LOOPER THREAD TAKE-UP, LEFT | ル-ハ°-`デンヒン` (ヒタ`リ) | 1 |
| 57 | | SS-6111140-SP | SCREW 11/64-40 L=11 | ヒラネジ 11/64-40 L=11 | 1 |
| 58 | | 122-15406 | OIL SEAL | シタ ル-ハ°-`ジク`オイシ`ル` | 1 |
| 59 | | SS-6090910-TP | SCREW 9/64-40 L=9 | ヒラネジ 9/64-40 L=9 | 1 |
| 60 | | 122-15208 | LOWER LOOPER SHAFT | シタ ル-ハ°-`ジク`カ` | 1 |
| 61 | | 122-14904 | LOWER LOOPER BUSHING, FRONT | シタ ル-ハ°-`ジク`マイメタル | 1 |
| 62 | | CS-100101D-SH | THRUST COLLAR ASM. | スラストカラ`クミ | 1 |
| 63 | | SS-8660530-TP | SCREW 1/4-40 L= 4.5 | トメネジ 1/4-40 L=4.5 | (2) |
| 64 | | 122-15000 | LOWER LOOPER BUSHING, REAR | シタ ル-ハ°-`ジク`ウシロメタル | 1 |
| 65 | | 122-40602 | NEEDLE GUARD | イト`ウ`ハリウケ` | 1 |
| 66 | | SS-4080610-SP | SCREW 1/8-44 L=6.4 | ナハ`ネジ 1/8-44 L=6.4 | 1 |

Note (注記) #01...FOR SP161S800M040 SP161S800M040 用
#02...FOR SP172S900MADC SP172S900MADC 用
#03...SELECTING PART FOR FIT TOLERANCE 選択かん合部品
#04...FOR SP151,SP161 & SP172 SP151,SP161,SP172 用
(Needle #9,#11,#14) (針番手 #9,#11,#14)
#05...FOR SP151,SP161 & SP172 SP151,SP161,SP172 用
(Needle #14,#16,#18) (針番手 #14,#16,#18)

8. PRESSER FOOT COMPONENTS(1)

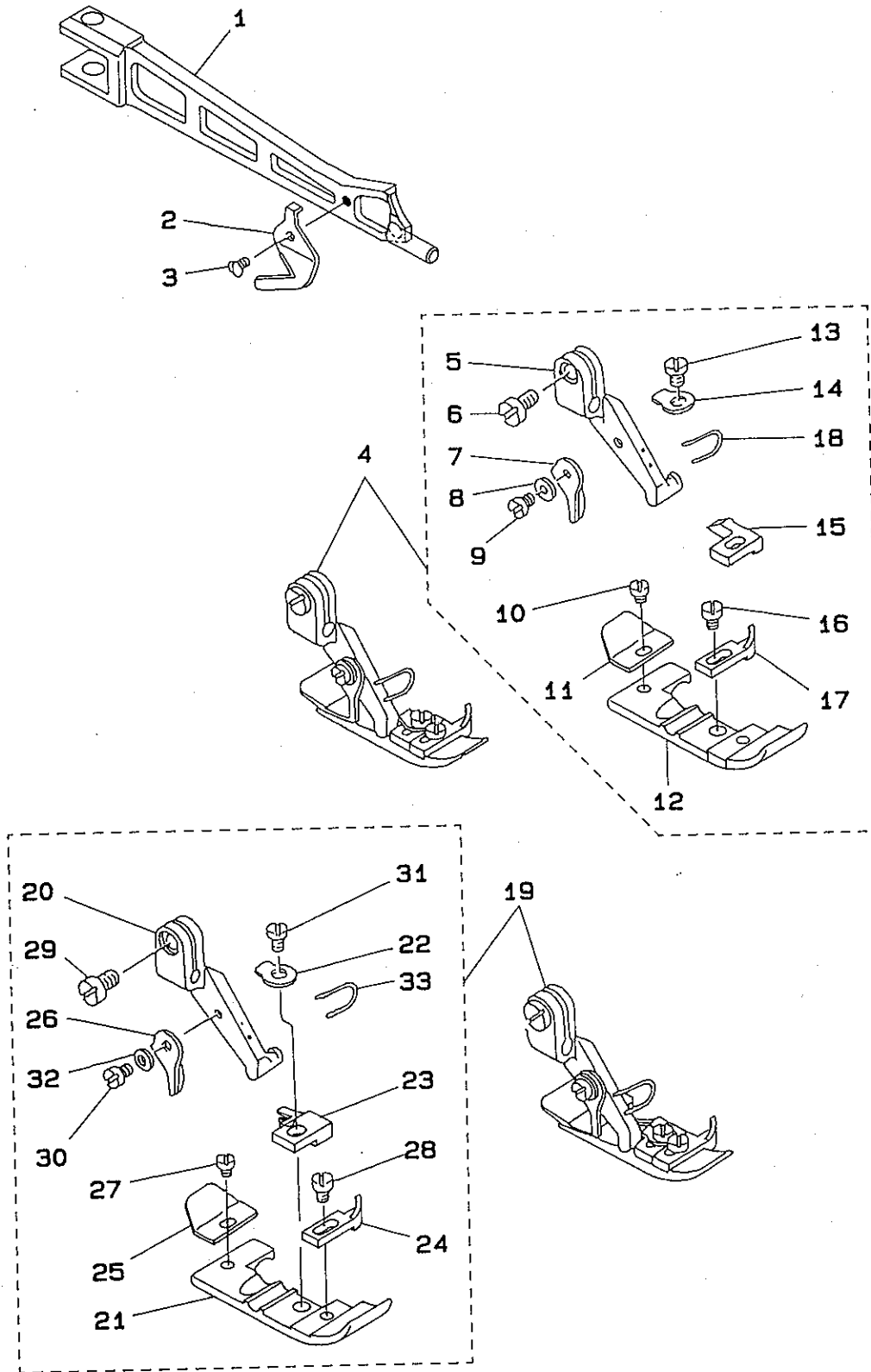
押え関係 (1)



| REF.NO | NOTE | PART NO. | DESCRIPTION | ヒンメイ | Qty |
|--------|------|---------------|--------------------------------|-----------------------|-----|
| 1 | | 121-15051 | FOOT LIFTING LEVER STAND ASM. | オサエヒキアケレハ-タ`イクミ | 1 |
| 2 | | 121-15002 | FOOT LIFTING LEVER STAND | ヒキアケレハ-タ`イ | (1) |
| 3 | | 121-15101 | PRESSER FOOT LIFTING LEVER | オサエヒキアケレハ- | (1) |
| 4 | | 121-15200 | STOPPER | オサエウテ`ストッパ` | (1) |
| 5 | | SS-7110510-SP | SCREW 11/64-40 L=5 | マルヒラネジ` 11/64-40 L= 5 | (2) |
| 6 | | SD-0640241-SP | HINGE SCREW D= 6.35 H= 2.4 | タ`ンネジ` D=6.35 H=2.4 | (1) |
| 7 | | PS-0300142-KH | SPRING PIN 0.3 X 14 | スプ`リンク`ピ`ン 3X14 | (1) |
| 8 | | 121-15309 | SPRING | オサエ ヒキアケ`ハ`ネ | (1) |
| 9 | | SS-6080340-SP | SCREW 1/8-44 L=3.0 | ヒラネジ` 1/8-44 L=2.9 | (1) |
| 10 | | SS-4110715-SP | SCREW 11/64-40 L=7 | ナ`ネジ` 11/64-40 L=7 | 2 |
| 11 | | 121-14708 | PRESSER REGULATOR SCREW | オサエ チョウセツネジ` | 1 |
| 12 | | B1515-804-00B | PRESSER SPRING | オサエ ハ`ネ B | 1 |
| 13 | | 121-14807 | PRESSER REGULATOR NUT | オサエ チョウセツナット | 1 |
| 14 | | 121-14609 | PRESSER REGULATOR SCREW WASHER | オサエ`チョウセツネジ`サ` | 1 |
| 15 | | SS-8110410-TP | SCREW 11/64-40 L= 3.5 | トメネジ` 11/64-40 L=3.5 | 1 |
| 16 | | RO-1100901-00 | RUBBER RING | オリ`ンク` | 1 |
| 17 | | 121-14906 | PRESSER BAR COVER | オサエホ`ウ カハ` | 1 |
| 18 | | RO-1100901-00 | RUBBER RING | オリ`ンク` | 2 |
| 19 | | 121-14302 | PRESSER BAR BUSHING | オサエホ`ウ メタル | 1 |
| 20 | | 121-14450 | PRESSER BAR ASM. | オサエホ`ウ クミ | 1 |
| 21 | | SS-8110520-TP | SCREW 11/64-40 L= 4.5 | トメネジ` 11/64-40 L=4.5 | 1 |
| 22 | | 121-14203 | PRESSER FOOT ARM HINGE SHAFT | オサエウテ`ヒンシ`ンシ`ク | 1 |
| 23 | | 121-13601 | PRESSER FOOT SHAFT | オサエシ`ク | 1 |
| 24 | | 121-13700 | BUSHING | オサエシ`ク メタル | 1 |
| 25 | | SS-4121215-SP | SCREW 3/16-28 L=12 | ナ`ネジ` 3/16-28 L=12 | 1 |
| 26 | | 118-19414 | LIFTING HOOK | オサエアケ`フツク | 1 |
| 27 | | SS-6151210-SP | SCREW 15/64-28 L=12 | ヒラネジ` 15/64-28 L=12 | 1 |
| 28 | | NS-6150310-SP | NUT 15/64-28 | ロツカクナット 15/64-28 | 1 |
| 29 | | 118-19703 | PRESSER FOOT ARM SPRING | オサエウテ`ハ`ネ | 1 |
| 30 | | 121-13908 | LIFTING ARM | オサエアケ`ウテ` | 1 |
| 31 | | SS-6110710-TP | SCREW 11/64-40 L= 6.5 | ヒラネジ` 11/64-40 L=6.5 | 1 |
| 32 | | 121-13858 | THRUST ARM ASM. | オサエシ`ク スラストウテ` クミ | 1 |
| 33 | | 121-13809 | PRESSER FOOT SHAFT THRUST | オサエシ`ク スラストウテ` | (1) |
| 34 | | SS-9151210-TP | SCREW 15/64-28 L=11.8 | ロツカクホ`ルト 15/64-28 | (1) |
| 35 | | SS-7161040-SP | SCREW 1/4-24 L= 9.5 | マルヒラネジ` 1/4-24 L=9.5 | 1 |
| 36 | | 118-19307 | LIFTING LEVER | オサエアケ`レハ` | 1 |
| 37 | | 118-19109 | LIFTING LEVER SCREW | オサエアケ`レハ`-ネジ` | 1 |
| 38 | | 122-06702 | LIFTING LEVER SPRING | オサエアケ`レハ`-ハ`ネ | 1 |
| 39 | | NS-6110420-SP | NUT 11/64-40 | ロツカクナット 11/64-40 | 1 |
| 40 | | SS-7111410-SP | SCREW 11/64-40 L=14 | マルヒラネジ` 11/64-40 L=14 | 1 |
| 41 | | 122-06603 | LEVER STOPPER | オサエアケ`レハ`-ストッパ` | 1 |

9. PRESSER FOOT COMPONENTS(2)

押え関係 (2)



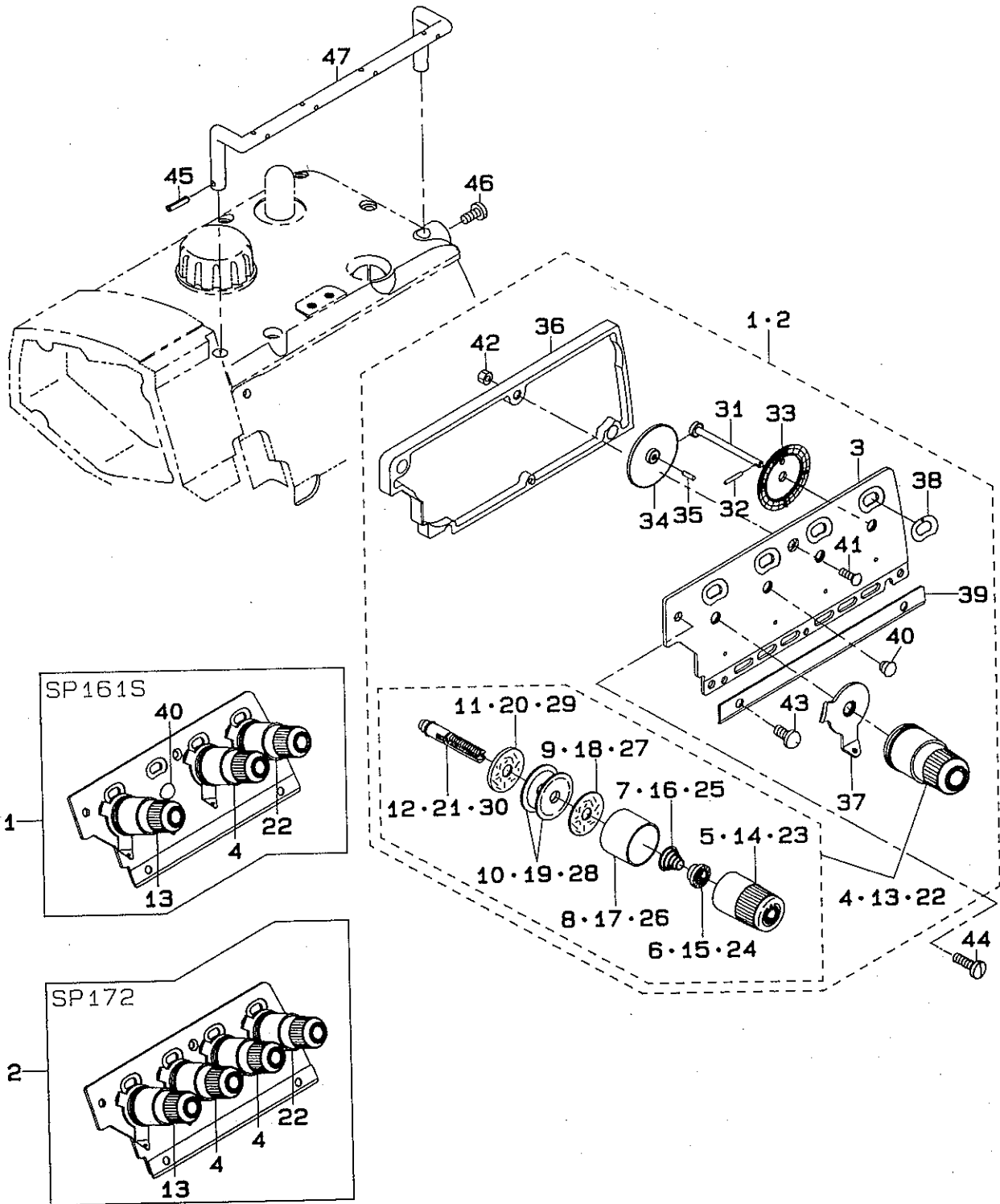
| REF.NO | NOTE | PART NO. | DESCRIPTION | ヒンメイ | Qty |
|--------|------|-----------------|----------------------|----------------------|-----|
| 1 | | 121-14005 | PRESSER FOOT ARM | オサエ ウヂ | 1 |
| 2 | | B1528-804-000-A | THREAD TRIMMER | イトキリハ | 1 |
| 3 | | SS-6060440-TP | SCREW 3/32-56 L=3.5 | ヒラネジ | 1 |
| 4 | #01 | 122-30165 | PRESSER FOOT ASM. | オサエケツコウ | 1 |
| 5 | | 118-72009 | PRESSER FOOT HINGE | オサエヒンジ | (1) |
| 6 | | SS-6090650-SP | SCREW 9/64-40 L=6 | ヒラネジ 9/64-40 L=6 | (1) |
| 7 | | B1530-804-000 | STOPPER | オサエ ストツハ | (1) |
| 8 | | WP-0250516-SD | WASHER 2.5X6X0.5 | ヒラサカネ 2.5X6X0.5 | (1) |
| 9 | | SS-7060610-SP | SCREW 3/32-56 L= 5.5 | マルヒラネジ 3/32-56 L=5.5 | (1) |
| 10 | | SS-6060210-SP | SCREW 3/32-56 L= 1.9 | ヒラネジ 3/32-56 L=1.9 | (1) |
| 11 | | B1511-814-000 | REAR PRESSER FOOT | カラカントメ | (1) |
| 12 | | 122-32104 | PRESSER FOOT | オサエ | (1) |
| 13 | | SS-7080520-SP | SCREW 1/8-44 L=4.9 | マルヒラネジ 1/8-44 L=4.9 | (1) |
| 14 | | B1508-804-00B | SPRING | オサエ トリツケハネ | (1) |
| 15 | | B1509-804-C00 | STITCH TONGUE | イトスヘリタ | (1) |
| 16 | | SS-6060440-TP | SCREW 3/32-56 L=3.5 | ヒラネジ | (1) |
| 17 | | B1510-814-000 | CURL GUARD | カールトメ | (1) |
| 18 | | 118-20701 | FINGER GUARD | ユビカト | 1 |
| 19 | #02 | 122-30264 | PRESSER FOOT ASM. | オサエケツコウ | 1 |
| 20 | | 118-72009 | PRESSER FOOT HINGE | オサエヒンジ | (1) |
| 21 | | 122-32104 | PRESSER FOOT | オサエ | (1) |
| 22 | | B1508-804-00B | SPRING | オサエ トリツケハネ | (1) |
| 23 | | B1509-814-00P | STITCH TONGUE | イトスヘリタ | (1) |
| 24 | | B1510-814-000 | CURL GUARD | カールトメ | (1) |
| 25 | | B1511-814-000 | REAR PRESSER FOOT | カラカントメ | (1) |
| 26 | | B1530-804-000 | STOPPER | オサエ ストツハ | (1) |
| 27 | | SS-6060210-SP | SCREW 3/32-56 L= 1.9 | ヒラネジ 3/32-56 L=1.9 | (1) |
| 28 | | SS-6060440-TP | SCREW 3/32-56 L=3.5 | ヒラネジ | (1) |
| 29 | | SS-6090650-SP | SCREW 9/64-40 L=6 | ヒラネジ 9/64-40 L=6 | (1) |
| 30 | | SS-7060610-SP | SCREW 3/32-56 L= 5.5 | マルヒラネジ 3/32-56 L=5.5 | (1) |
| 31 | | SS-7080520-SP | SCREW 1/8-44 L=4.9 | マルヒラネジ 1/8-44 L=4.9 | (1) |
| 32 | | WP-0250516-SD | WASHER 2.5X6X0.5 | ヒラサカネ 2.5X6X0.5 | (1) |
| 33 | | 118-20701 | FINGER GUARD | ユビカト | (1) |

Note (注記) #01...FOR SP161S800M040
#02...FOR SP172S900MADC

SP161S800M040 用
SP172S900MADC 用

10. THREAD TENSION COMPONENTS

糸調子関係



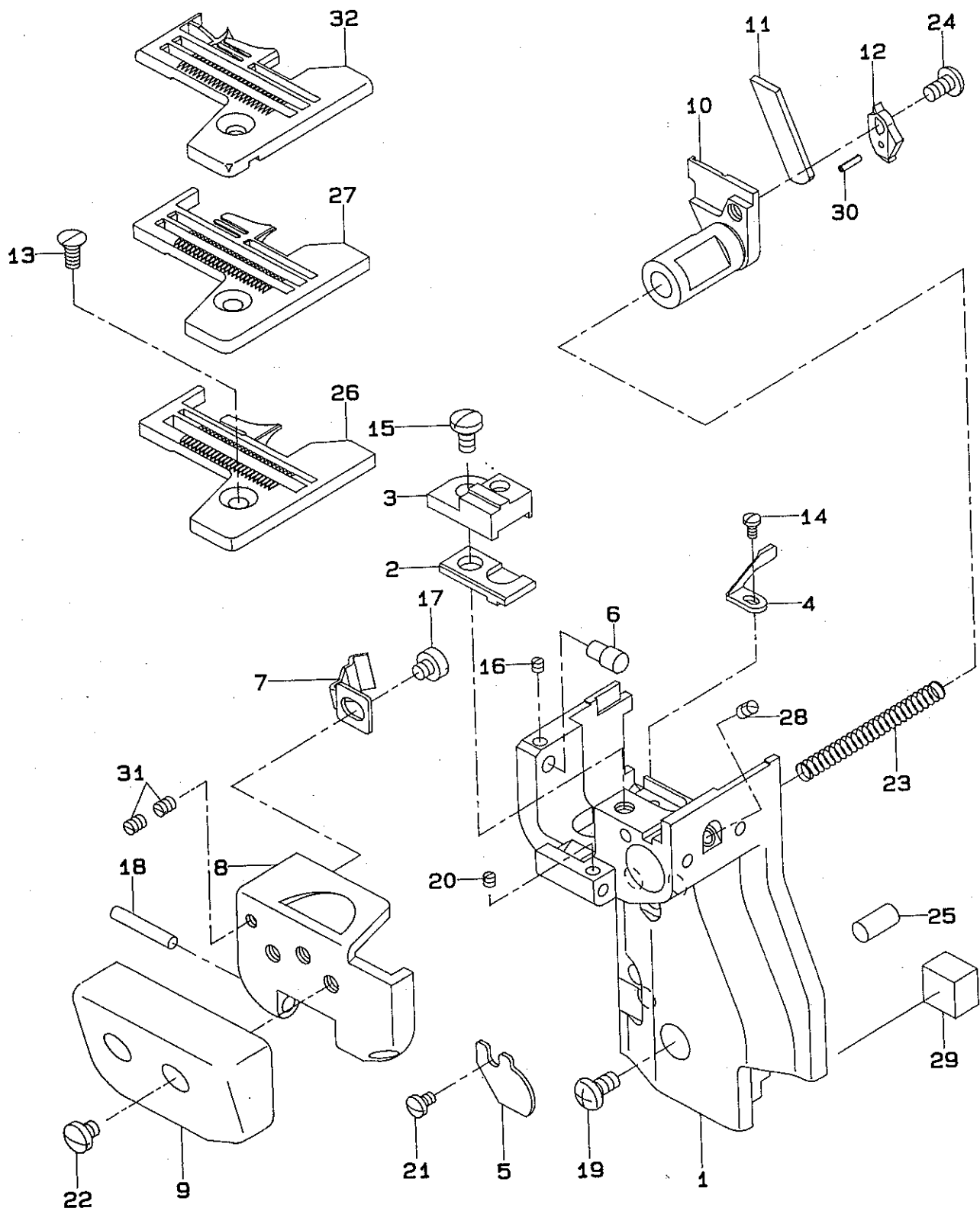
| REF.NO | NOTE | PART NO. | DESCRIPTION | ヒソメイ | Qty |
|--------|------|---------------|----------------------------|---|-----|
| 1 | #01 | 121-80154 | THREAD GUIDE PLATE ASM. | イトアンナイハ ^ン クミ | 1 |
| 2 | #02 | 121-80253 | THREAD GUIDE PLATE ASM. | イトアンナイハ ^ン クミ | 1 |
| 3 | | 121-26207 | THREAD GUIDE PLATE | イトアンナイハ ^ン | (1) |
| 4 | | 121-26959 | KNOB ASM., YELLOW | イトチョウウツマミ キ クミ | (2) |
| 5 | | 121-26900 | KNOB, YELLOW | イトチョウウツマミ キ | (1) |
| 6 | | B3112-704-000 | TENSION SPRING BUSHING | ハ ^ネ フ ^ツ ツユ | (1) |
| 7 | | B3102-804-000 | TENSION SPRING, YELLOW | イトチヨ-シ ハ ^ネ (キロ) | (1) |
| 8 | | 121-26702 | TENSION DISK PRESSER | チョウウツ ^ラ オチエ | (1) |
| 9 | | B3120-704-000 | THREAD TENSION SPRING FELT | イトチヨ-シハ ^ネ ネサ ^フ エルト | (1) |
| 10 | | B3126-012-000 | THREAD TENSION DISK | イトチヨ-シチラ | (2) |
| 11 | | B3120-352-000 | THREAD TENSION SPRING FELT | イトチヨ-シハ ^ネ ネサ ^フ エルト | (1) |
| 12 | | 121-26405 | THREAD TENSION BAR | イトチョウウシ ホ ^ウ | (1) |
| 13 | | 121-26850 | KNOB ASM., RED | イトチョウウツマミ アカ クミ | (1) |
| 14 | | 121-26801 | KNOB, RED | イトチョウウツ マミ アカ | (1) |
| 15 | | B3112-704-000 | TENSION SPRING BUSHING | ハ ^ネ フ ^ツ ツユ | (1) |
| 16 | | B3101-804-000 | TENSION SPRING, RED | イトチヨ-シ ハ ^ネ | (1) |
| 17 | | 121-26702 | TENSION DISK PRESSER | チョウウツ ^ラ オチエ | (1) |
| 18 | | B3120-704-000 | THREAD TENSION SPRING FELT | イトチヨ-シハ ^ネ ネサ ^フ エルト | (1) |
| 19 | | B3126-012-000 | THREAD TENSION DISK | イトチヨ-シチラ | (2) |
| 20 | | B3120-352-000 | THREAD TENSION SPRING FELT | イトチヨ-シハ ^ネ ネサ ^フ エルト | (1) |
| 21 | | 121-26405 | THREAD TENSION BAR | イトチョウウシ ホ ^ウ | (1) |
| 22 | | 121-27056 | KNOB ASM., BLUE | イトチョウウツマミ アオ クミ | (1) |
| 23 | | 121-27007 | KNOB, BLUE | イトチョウウツマミ アオ | (1) |
| 24 | | B3112-704-000 | TENSION SPRING BUSHING | ハ ^ネ フ ^ツ ツユ | (1) |
| 25 | | B3103-804-000 | TENSION SPRING, BLUE | イトチヨ-シ ハ ^ネ (アオ) | (1) |
| 26 | | 121-26702 | TENSION DISK PRESSER | チョウウツ ^ラ オチエ | (1) |
| 27 | | B3120-704-000 | THREAD TENSION SPRING FELT | イトチヨ-シハ ^ネ ネサ ^フ エルト | (1) |
| 28 | | B3126-012-000 | THREAD TENSION DISK | イトチヨ-シチラ | (2) |
| 29 | | B3120-352-000 | THREAD TENSION SPRING FELT | イトチヨ-シハ ^ネ ネサ ^フ エルト | (1) |
| 30 | | 121-26405 | THREAD TENSION BAR | イトチョウウシ ホ ^ウ | (1) |
| 31 | | 121-27403 | SCALE SHAFT | メモリシ ^ク | (1) |
| 32 | | 121-27502 | SCALE SHAFT PIN | メモリシ ^ク ヒ ^ロ ン | (1) |
| 33 | | 121-27601 | SCALE GEAR | メモリハク ^ル マ | (1) |
| 34 | | 121-27700 | GEAR | ニタ ^ン ハク ^ル マ | (1) |
| 35 | | 121-27809 | GEAR SHAFT | ハク ^ル マシ ^ク | (1) |
| 36 | | 121-27957 | SCALE CASE ASM. | メモリケース クミ | (1) |
| 37 | | 121-26504 | NEEDLE THREAD GUIDE | ハリイトチョウウシ サライトアンナイ | (1) |
| 38 | | 121-28203 | SCALE SIDE PLATE | メモリ マ ^ト イタ | (1) |
| 39 | | 121-28302 | THREAD LOOPER GUIDE | ル ^ハ - イトカ ^{イト} | (1) |
| 40 | #01 | TA-0620504-R0 | CAP | トメセン | (1) |
| 41 | | SS-2090830-SL | SCREW | マルサ ^ラ ネジ ^ン | (1) |
| 42 | | NS-6090310-SP | NUT 9/64-40 | ワツカクナツ 9/64-40 | (1) |
| 43 | | SS-7110740-TL | SCREW 11/64-40 L= 7.0 | マルヒ ^ラ ネジ ^ン 11/64-40 L=7 | (1) |
| 44 | | SS-7111410-TK | SCREW 11/64-40 L=14 | マルヒ ^ラ ネジ ^ン 11/64-40 L=14 | 2 |
| 45 | | PS-Q30Q132-KH | SPRING PIN 3X13 | ス ^プ リンク ^ヒ ロ ^ン | 1 |
| 46 | | SS-7110910-TP | SCREW 11/64-40 L= 8.5 | マルヒ ^ラ ネジ ^ン 11/64-40 L=8.5 | 1 |
| 47 | | 121-26108 | CENTER THREAD GUIDE | チュウカン イトアンナイ | 1 |

Note (注記) #01....FOR SP161S800M040
#02....FOR SP172S900MADC

SP161S800M040 用
SP172S900MADC 用

11. LOWER KNIFE COMPONENTS

下メス関係



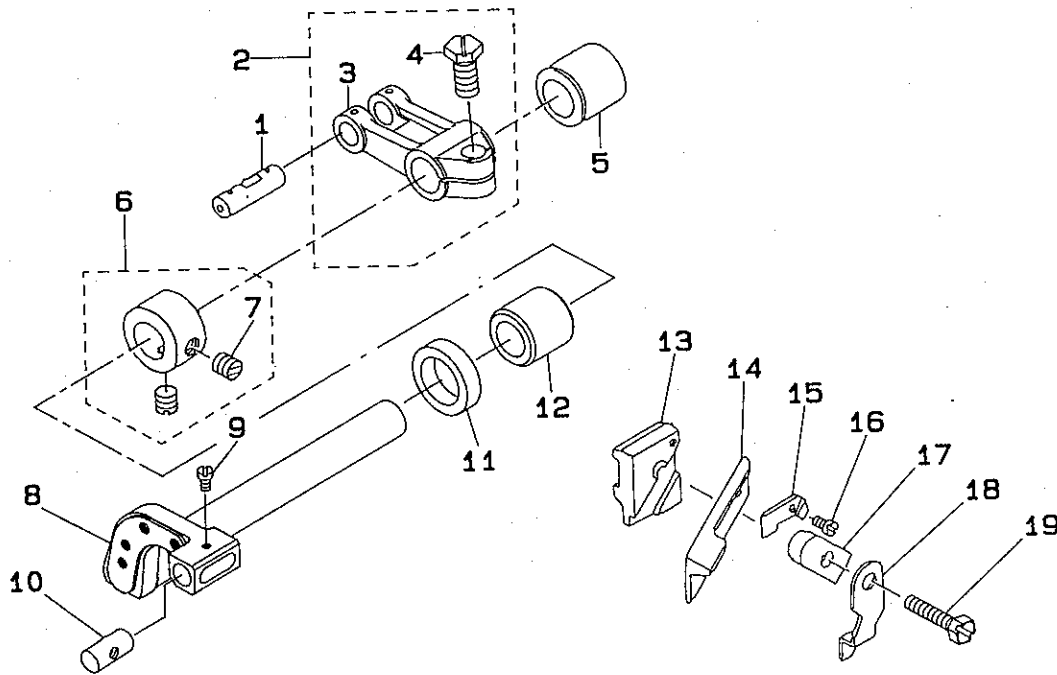
| REF.NO | NOTE | PART NO. | DESCRIPTION | ヒ シ メ イ | Qty |
|--------|------|---------------|---------------------------|-----------------------|-----|
| 1 | | 122-19101 | CYLINDER BRACKET | シリンダー フラケット | 1 |
| 2 | | 122-19903 | THROAT PLATE BASE, LOWER | ハリタ タイ シタ | 1 |
| 3 | | 122-19804 | THROAT PLATE BASE, UPPER | ハリタ タイウエ | 1 |
| 4 | | 122-40701 | NEEDLE GUARD | ハリウケ | 1 |
| 5 | | 122-20109 | SPRING STOPPER | シタメス ハネ トメイタ | 1 |
| 6 | | 122-19606 | PIN | シリンダー カハ トメピン | 1 |
| 7 | | 122-19507 | SPRING | シリンダー カハ ハネ | 1 |
| 8 | | 122-19200 | COVER BASE | シリンダー カハ タイ | 1 |
| 9 | | 122-19358 | CYLINDER COVER ASM. | シリンダー カハ クミ | 1 |
| 10 | | 122-20000 | LOWER KNIFE SLIDE STUD | シタメス スライド シク | 1 |
| 11 | | 122-20307 | LOWER KNIFE | シタメス | 1 |
| 12 | | 122-20208 | LOWER KNIFE PRESSER PRATE | シタメス オサエ | 1 |
| 13 | | SS-2110910-SL | SCREW 11/64-40 L=9 | マルサラネジ 11/64-40 L=8.5 | 1 |
| 14 | | SS-7060510-SP | SCREW 3/32-56 L=4.8 | マルヒラネジ 3/32-56 L=4.8 | 1 |
| 15 | | SS-7110840-SP | SCREW 11/64-40 L=7.8 | マルヒラネジ 11/64-40 L=7.8 | 1 |
| 16 | | SS-8080310-TP | SCREW 1/8-44 L=2.8 | トメネジ 1/8-44 L=2.8 | 1 |
| 17 | | SS-6110480-SP | SCREW 11/64-40 L=4.3 | ヒラネジ 11/64-40 L=4.3 | 1 |
| 18 | | 111-11705 | WIPER SOLENOID PIN | ワイパ ソレノイド シク | 1 |
| 19 | | SS-4120915-SP | SCREW 3/16-28 L=9 | ナハネジ 3/16-28 L=9 | 3 |
| 20 | | SS-8080310-TP | SCREW 1/8-44 L=2.8 | トメネジ 1/8-44 L=2.8 | 1 |
| 21 | | SS-7080520-SP | SCREW 1/8-44 L=4.9 | マルヒラネジ 1/8-44 L=4.9 | 1 |
| 22 | | SS-7110510-SP | SCREW 11/64-40 L=5 | マルヒラネジ 11/64-40 L=5 | 2 |
| 23 | | 122-20505 | SPRING | シタメス スライド シク ハネ | 1 |
| 24 | | SS-4110815-SP | SCREW 11/64-40 L=8 | ナハネジ 11/64-40 L=8 | 1 |
| 25 | | 122-19705 | PIN | フラケット コチピン | 2 |
| 26 | #01 | R4200-KOE-D00 | THROAT PLATE | ハリタ | 1 |
| 27 | #02 | R4305-KOE-E00 | THROAT PLATE | ハリタ | 1 |
| 28 | | SS-8110422-TP | SCREW 11/64-40 L=4 | トメネジ 11/64-40 L=4 | 1 |
| 29 | | 122-20604 | BRACKET | フラケット セン | 1 |
| 30 | | PS-0150065-KP | SPRING PIN 1.5X6 | スプリング ピン 1.5X6 | 1 |
| 31 | | SS-8080410-TP | SCREW 1/8-44 L=3.5 | トメネジ 1/8-44 L=3.5 | 2 |
| 32 | #03 | R4305-KOE-E0A | THROAT PLATE | ハリタ | 1 |

Note (注記) #01....FOR SP161S800M040
#02....FOR SP172S900MADC
#03....P05/Q01 EXCHANGING PARTS

SP161S800M040 用
SP172S900MADC 用
P05/Q01 交換部品

12. UPPER KNIFE COMPONENTS

上メス関係



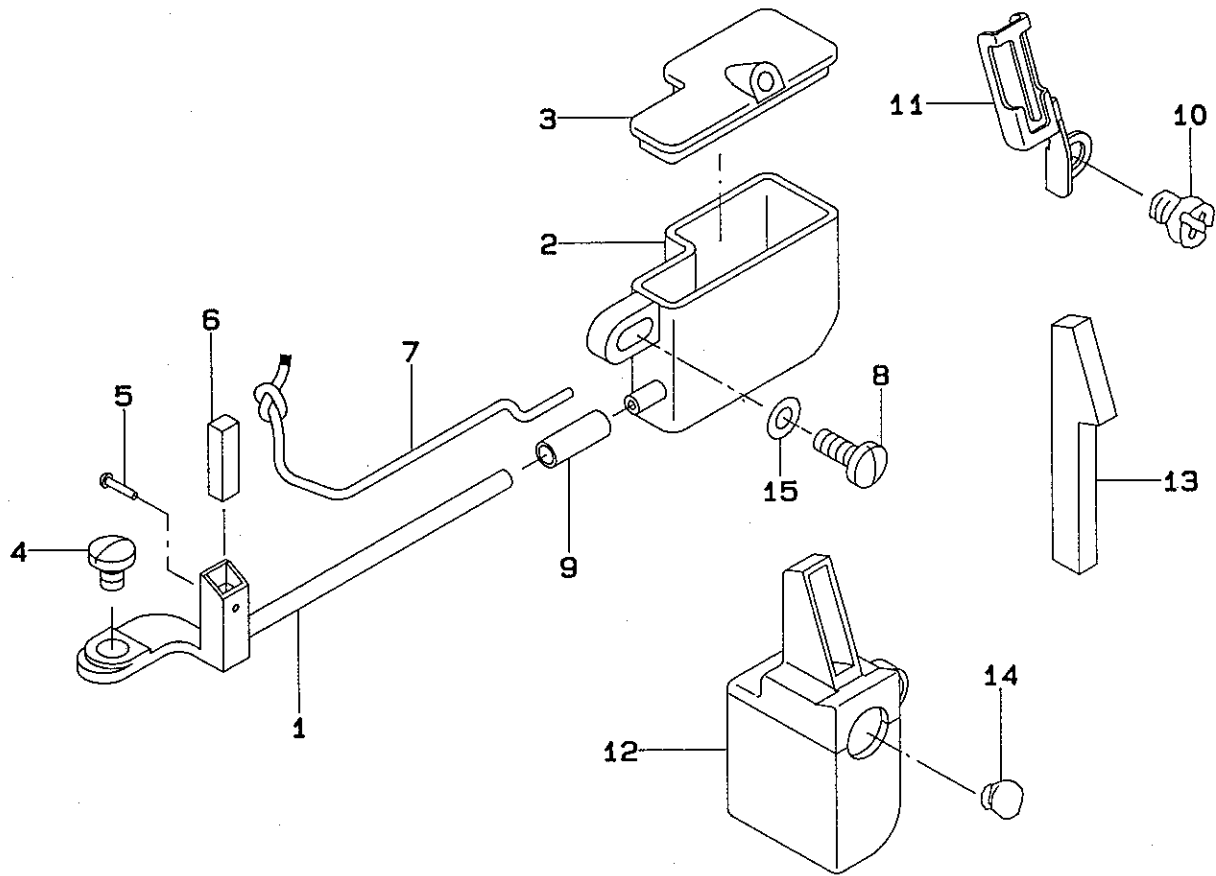
| REF.NO | NOTE | PART NO. | DESCRIPTION | ヒ | ン | メ | イ | Qty |
|--------|------|---------------|----------------------------|---------|---------|----------|-------|-----|
| 1 | #01 | 118-23804 | CRANK PIN C | オクリフタマタ | クランクピン | C | | 1 |
| 2 | | 121-32254 | FEED FORKED ARM ASM. | ウエメス | フタマタ | ウチ | クミ | 1 |
| 3 | | 121-32205 | UPPER KNIFE DRIVING ARM. | ウエメス | フタマタ | ウチ | | (1) |
| 4 | | SS-9661230-CP | SCREW 1/4-40 L=12 | ロツカクボ | ルト | 1/4-40 | L=12 | (1) |
| 5 | | 121-32502 | BUSHING, REAR | ウエメス | シク | ウシロメタル | | 1 |
| 6 | | CS-1111019-SH | THRUST COLLAR D=11.11 W=10 | スラストウケ | D=11.11 | W=10 | | 1 |
| 7 | | SS-8660330-SP | SCREW 1/4-40 L= 3.0 | トメネジ | 1/4-40 | L=3 | | (2) |
| 8 | | 121-32304 | KNIFE DRIVING ARM SHAFT | メス | ウチ | シク | | 1 |
| 9 | | SS-4060310-SP | SCREW 3/32-56 L=2.5 | ナヘ | ネジ | 3/32-56 | L=2.5 | 1 |
| 10 | | 115-65801 | UPPER KNIFE GUIDE SHAFT | ウワメス | カ | イト | シク | 1 |
| 11 | | 115-66809 | OIL SEAL | ウワメス | シク | オイルシール | | 1 |
| 12 | | 121-32403 | BUSHING, FRONT | ウエメス | シク | マエメタル | | 1 |
| 13 | | 115-98000 | UPPER KNIFE SUPPORT | ウワメス | ササエ | | | 1 |
| 14 | | 118-45807 | UPPER KNIFE | ウワメス | | | | 1 |
| 15 | | 115-65702 | WASHER | ウワメス | オサエ | サカネ | | 1 |
| 16 | | SS-4060310-SP | SCREW 3/32-56 L=2.5 | ナヘ | ネジ | 3/32-56 | L=2.5 | 1 |
| 17 | | 115-65504 | UPPER KNIFE PRESSER PLATE | ウワメス | オサエ | | | 1 |
| 18 | | 118-48405 | UPPER KNIFE COVER | ウワメス | カ | ハ | | 1 |
| 19 | | SS-9111610-SP | SCREW 11/64-40 L=16 | ロツカクボ | ルト | 11/64-40 | L=16 | 1 |

Note (注記) #01....SELECTING PART FOR FIT TOLERANCE

選択かん合部品

13. NEEDLE COOLING MECHANISM COMPONENTS

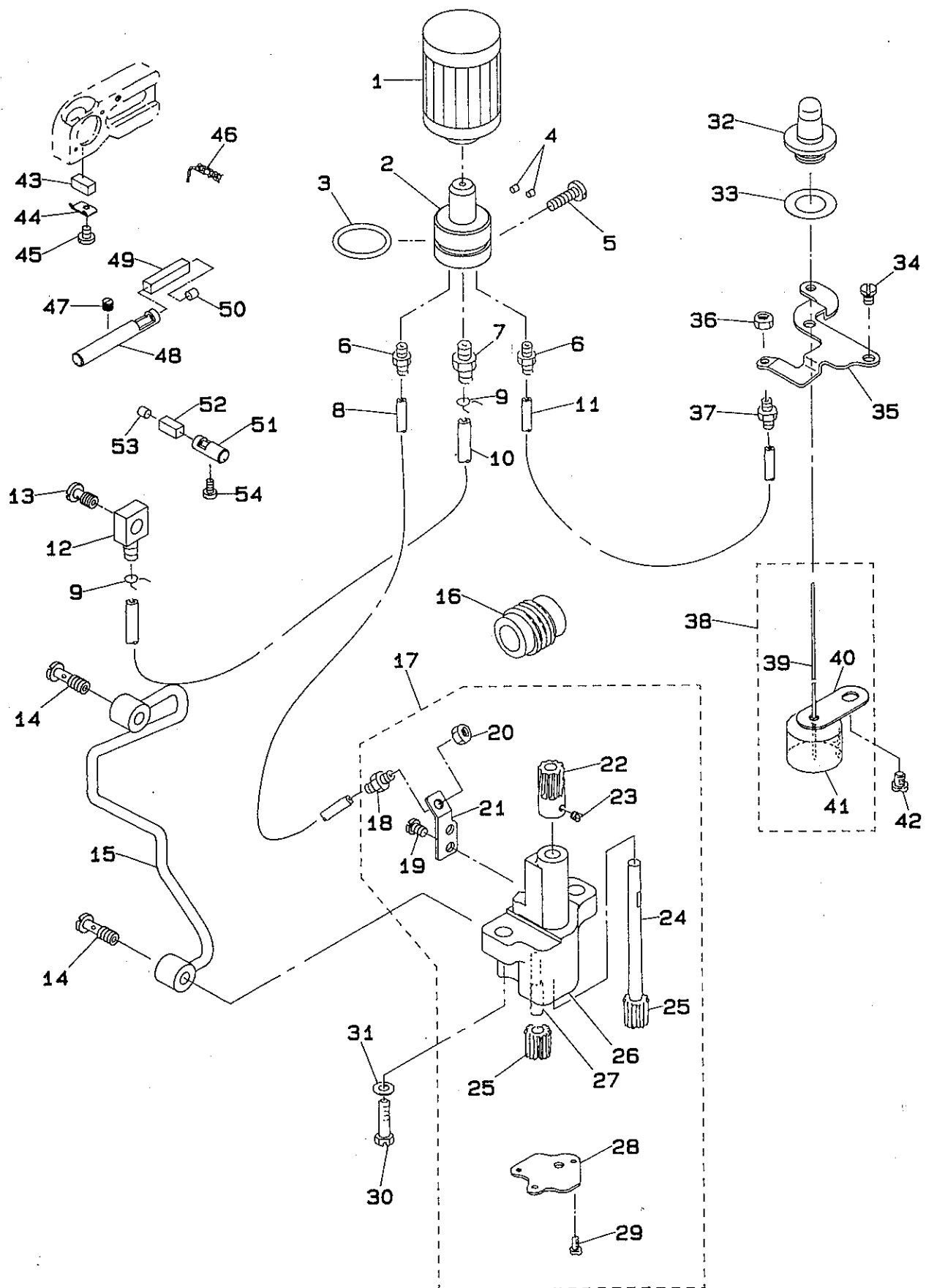
針冷却装置関係



| REF.NO | NOTE | PART NO. | DESCRIPTION | ヒ | ン | メ | イ | Qty |
|--------|------|---------------|----------------------|----|----|------|---------------|------|
| 1 | | 122-24853 | NEEDLE COOLER ASM. | ハリ | レイ | キヤク | キケツ | 1 |
| 2 | | 122-24606 | TANK | ハリ | レイ | キヤク | タンク | 1 |
| 3 | | 122-24705 | TANK COVER | ハリ | レイ | キヤク | タンク | 1 |
| 4 | | SS-7090540-TP | SCREW 9/64-40 L=5 | マル | ヒラ | ネジ | 9/64-40 L=5 | 1 |
| 5 | | 118-56101 | NEEDLE COOLER PIN | ハリ | レイ | キヤク | フェルト | 1 |
| 6 | | 122-25009 | FELT | ハリ | レイ | キヤク | フェルト | 1 |
| 7 | | CQ-2000000-00 | OIL WICK | ユシ | ン | | | 0.15 |
| 8 | | SS-7090910-SP | SCREW 9/64-40 L= 8.5 | マル | ヒラ | ネジ | 9/64-40 L=8.5 | 1 |
| 9 | | BT-0400251-ED | TUBE HOSE, GREEN | ウレ | タン | ホース | ミト | 0.02 |
| 10 | | SS-4110915-SP | SCREW 11/64-40 L=9 | サ | ハ | ネジ | 11/64-40 L=9 | 1 |
| 11 | | 121-38400 | PRESSER | ハリ | イト | フェルト | オサ | 1 |
| 12 | | 121-38152 | SILICON TANK ASM. | ハリ | イト | タンク | クミ | 1 |
| 13 | | 121-38301 | FELT | ハリ | イト | フェルト | | 1 |
| 14 | | TA-0950806-R0 | RUBBER PLUG | ト | メ | セン | | 1 |
| 15 | | WP-0371026-SD | WASHER 3.7X7X1 | ヒラ | サ | カ | ネ 3.7X7X1 | 1 |

14. LUBRICATION MECHANISM COMPONENTS

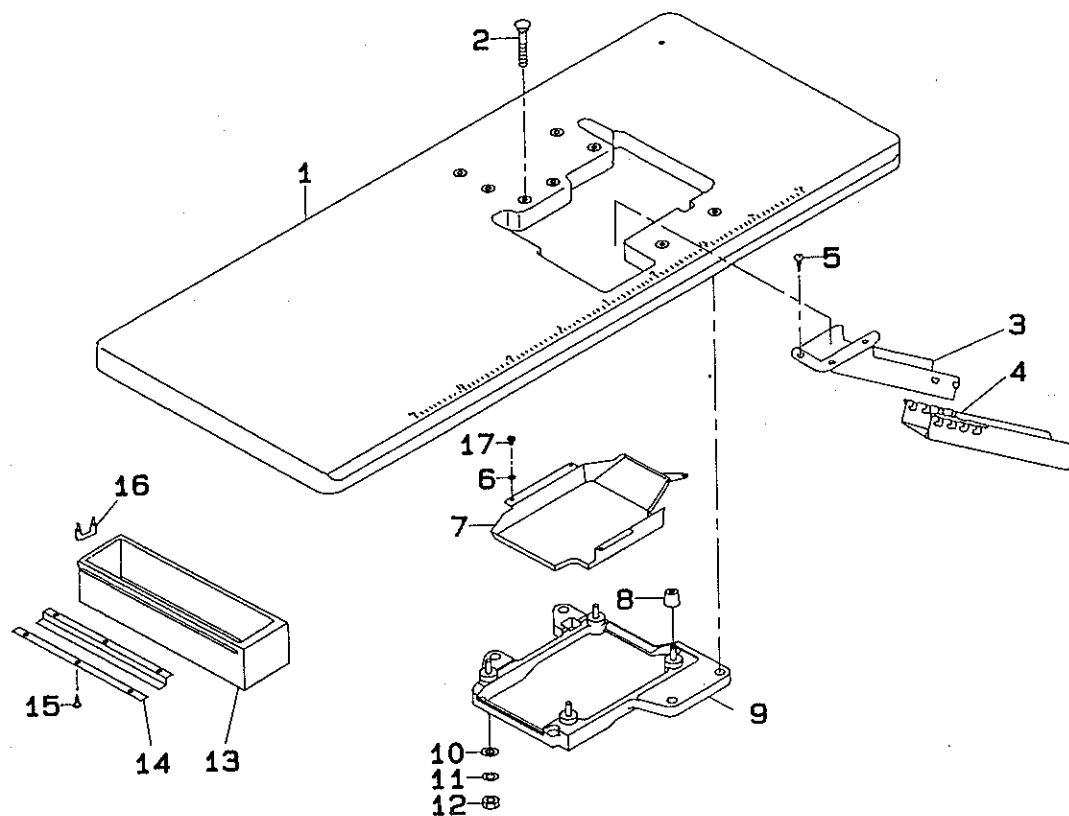
給油装置関係



| REF.NO | NOTE | PART NO. | DESCRIPTION | ヒンメイ | Qty |
|--------|------|---------------|--------------------------|-----------------------|-----|
| 1 | | 118-43208 | CARTRIDGE FILTER | カートリッジフィルター | 1 |
| 2 | | 121-29706 | FILTER GUIDE | フィルターガイド | 1 |
| 3 | | RO-2182401-00 | RUBBER RING | オリング | 1 |
| 4 | | TA-0290301-M0 | PLUG 2.9X3.2X3 | トメセン D=2.9X3.2 L=3 | 2 |
| 5 | | SS-7121610-SP | SCREW 3/16-28 L=15.5 | マルヒラネジ 3/16-28 L=15.5 | 1 |
| 6 | | SQ-1110451-MZ | CONNECTING SCREW | ハ°イフ°レンケツネジ | 2 |
| 7 | | SQ-1150451-MZ | CONNECTING SCREW | チューブ°レンケツネジ | 1 |
| 8 | | BT-0500300-EG | OIL TUBE | チューブ | 0.2 |
| 9 | | 101-26803 | OIL TUBE HOLDER | ハ°イフ°トメ | 2 |
| 10 | | BT-0500300-EA | OIL TUBE | ウレタンチューブ | 0.3 |
| 11 | | BT-0500300-EA | OIL TUBE | ウレタンチューブ | 0.2 |
| 12 | | SQ-0000451-MZ | CONNECTING SCREW | ハ°イフ°レンケツネジ | 1 |
| 13 | | SQ-1150441-SD | CONNECTING SCREW | ハ°イフ°レンケツネジ | 1 |
| 14 | | SQ-1150454-SD | CONNECTING SCREW | ハ°イフ°レンケツネジ | 2 |
| 15 | | 122-18152 | OIL PIPE ASM. | キユウエハ°イフ°クミ | 1 |
| 16 | | 121-29102 | WORM | ウォーム | 1 |
| 17 | | 121-29250 | OIL PUMP ASM. | キユウエホ°ソフ°タイケツゴウ | 1 |
| 18 | | SQ-1110451-MZ | CONNECTING SCREW | ハ°イフ°レンケツネジ | (1) |
| 19 | | SS-4110615-SP | SCREW 11/64-40 L=6 | ナヘ°ネジ | (2) |
| 20 | | NS-6110310-SP | NUT 11/64-40 | ロツカクナツト 11/64-40 | (1) |
| 21 | | 121-29300 | CONNECTING SCREW BRACKET | ウォーム トシュツク°チ ササエ | (1) |
| 22 | | 118-41707 | WORM GEAR | ウォームハク°ルマ | (1) |
| 23 | | SS-8110410-TP | SCREW 11/64-40 L= 3.5 | トメネジ 11/64-40 L=3.5 | (2) |
| 24 | | 118-41806 | GEAR PUMP SHAFT, LARGE | キ°ヤホ°ソフ°シク°タイ | (1) |
| 25 | | 118-40303 | OIL PUMP PINION | ホ°ソフ°ヨウ°ヒ°ニオン | (2) |
| 26 | | 121-29201 | OIL PUMP | キユウエホ°ソフ°タイ | (1) |
| 27 | | 118-40402 | GEAR PUMP SHAFT | キ°ヤホ°ソフ°シク°シヨ- | (1) |
| 28 | | 118-43406 | COVER | ホ°ソフ°シツフタ | (1) |
| 29 | | SS-6090650-SP | SCREW 9/64-40 L=6 | ヒラネジ 9/64-40 L=6 | (3) |
| 30 | | SS-9152130-CP | SCREW 15/64-28 L=20.5 | ロツカクホ°ルト 15/64-28 | 2 |
| 31 | | WP-0651056-SH | WASHER 6.5X11X1 | ヒラサ°カ°ネ 6.5X11X1 | 2 |
| 32 | | 121-30100 | OIL GAUGE | オイルゲ°ーシ | 1 |
| 33 | | 121-30209 | RUBBER PACKING | オイルゲ°ーシ°ハ°ッキン | 1 |
| 34 | | SS-4120615-SP | SCREW 3/16-28 L=6 | ナヘ°ネジ 3/16-28 L=6 | 2 |
| 35 | | 121-29607 | OILING EXIT SUPPORT | トシュツク°チ ササエ | 1 |
| 36 | | NS-6110310-SP | NUT 11/64-40 | ロツカクナツト 11/64-40 | 1 |
| 37 | | SQ-1110451-MZ | CONNECTING SCREW | ハ°イフ°レンケツネジ | 1 |
| 38 | | 121-29854 | FLOAT ASM. | ウキコ クミ | 1 |
| 39 | | 121-29904 | OIL GAUGE BAR | エリョウシツ°ホ°ウ | (1) |
| 40 | | 121-30001 | FLOAT SUPPORT | ウキコササエ | (1) |
| 41 | | 121-29805 | FLOAT | ウキコ | (1) |
| 42 | | SS-4150715-SP | SCREW 15/64-28 L=7 | ナヘ°ネジ 15/64-28 L=7 | 1 |
| 43 | | 121-30803 | OIL FELT | ウエル°ハ°°キユウエフェルト | 1 |
| 44 | | 121-30704 | FELT HOLDER | ウエル°ハ°°キユウエフェルト オサエ | 1 |
| 45 | | SS-7060310-SP | SCREW 3/32-56 L=3 | マルヒラネジ 3/32-56 L=3 | 1 |
| 46 | | CQ-2020000-00 | OIL WICK | エツン | 0.1 |
| 47 | | SS-8120410-SP | SCREW | トメネジ | 1 |
| 48 | | 121-30308 | OILING PIN | ハリ キユウエピン | 1 |
| 49 | | 121-30407 | OIL FELT | ハリ キユウエピン フェルト | 1 |
| 50 | | TA-0400301-M0 | PLUG D=4X4.5 L=3 | トメセン D=4X4.5 L=3 | 1 |
| 51 | | 121-30506 | OILING PIN | ウエル°ハ°°キユウエピン | 1 |
| 52 | | 121-30605 | OIL FELT | ウエル°ハ°°キユウエピン フェルト | 1 |
| 53 | | TA-0400301-M0 | PLUG D=4X4.5 L=3 | トメセン D=4X4.5 L=3 | 1 |
| 54 | | SS-6121020-SP | SCREW 3/16-28 L= 9.5 | ヒラネジ 3/16-28 L=9.5 | 1 |

15. SEMI-SUNKEN TYPE TABLE COMPONENTS

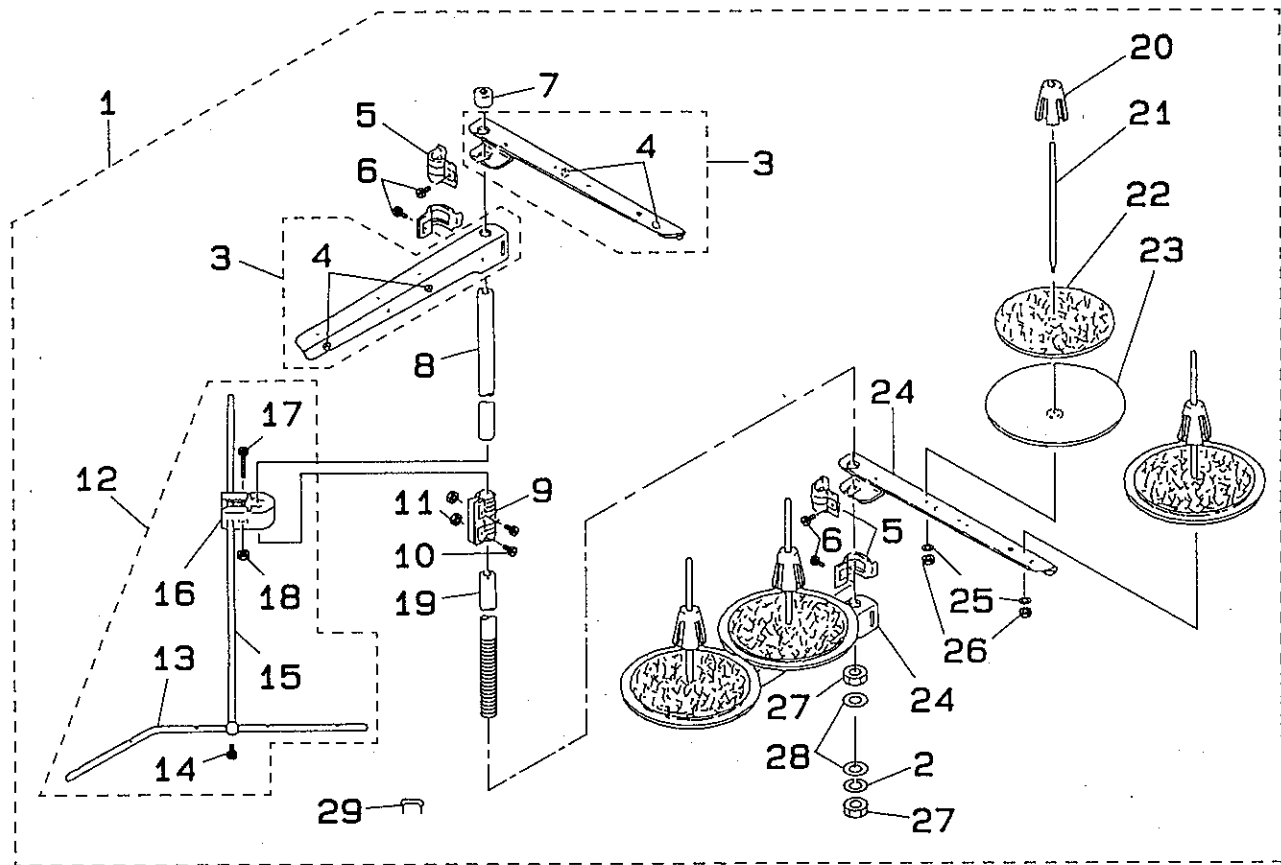
卓上式テーブル関係



| REF.NO | NOTE | PART NO. | DESCRIPTION | ヒ | ン | メ | イ | Qty |
|--------|------|---------------|----------------------------------|---|---|---|------|-----|
| 1 | | 122-21602 | TABLE (SEMI-SUNKEN) | テ | ー | プ | ル (タ | 1 |
| 2 | | 115-71601 | BOLT A | ウ | ケ | イ | タ | 4 |
| 3 | | 119-68609 | CLOTH WASTE CHUTE (TABLE) | ヌ | ノ | ク | ス | 1 |
| 4 | | 119-60002 | CLOTH WASTE CHUTE, LOWER (BENCH) | ヌ | ノ | ク | ス | 1 |
| 5 | | SK-2351600-SC | SCREW WASTE | マ | ル | サ | ラ | 3 |
| 6 | | WP-0370316-SD | WASHER 3.7X8X0.3 | ヒ | ラ | サ | カ | 4 |
| 7 | | 122-21800 | COOLING FAN CASE | ソ | ウ | フ | ウ | 1 |
| 8 | | 115-71403 | RUBBER CUSHION | ホ | ー | シ | ン | 4 |
| 9 | | 122-21750 | FRAME SUPPORT PLATE ASM. | フ | レ | ー | ム | 1 |
| 10 | | WP-1102016-SC | WASHER 11X21X2 | ヒ | ラ | サ | カ | 4 |
| 11 | | WS-1002560-KR | SPRING WASHER 10X18X2.5 | ハ | ー | ネ | サ | 4 |
| 12 | | NS-6240630-SN | NUT 3/8-18 | ロ | ツ | カ | ク | 4 |
| 13 | | 111-55108 | DRAWER | ヒ | キ | タ | シ | 1 |
| 14 | | 111-55207 | DRAWER SUPPORT | ヒ | キ | タ | シ | 2 |
| 15 | | SK-3311500-SC | WOOD SCREW D=3.1 L=15 | マ | ル | サ | ラ | 6 |
| 16 | | D8204-555-D00 | DRAWER STOPPER | ヒ | キ | タ | シ | 1 |
| 17 | | SS-6090630-SP | SCREW 9/64-40 L=6 | ヒ | ラ | ネ | シ | 4 |

16. THREAD STAND COMPONENTS

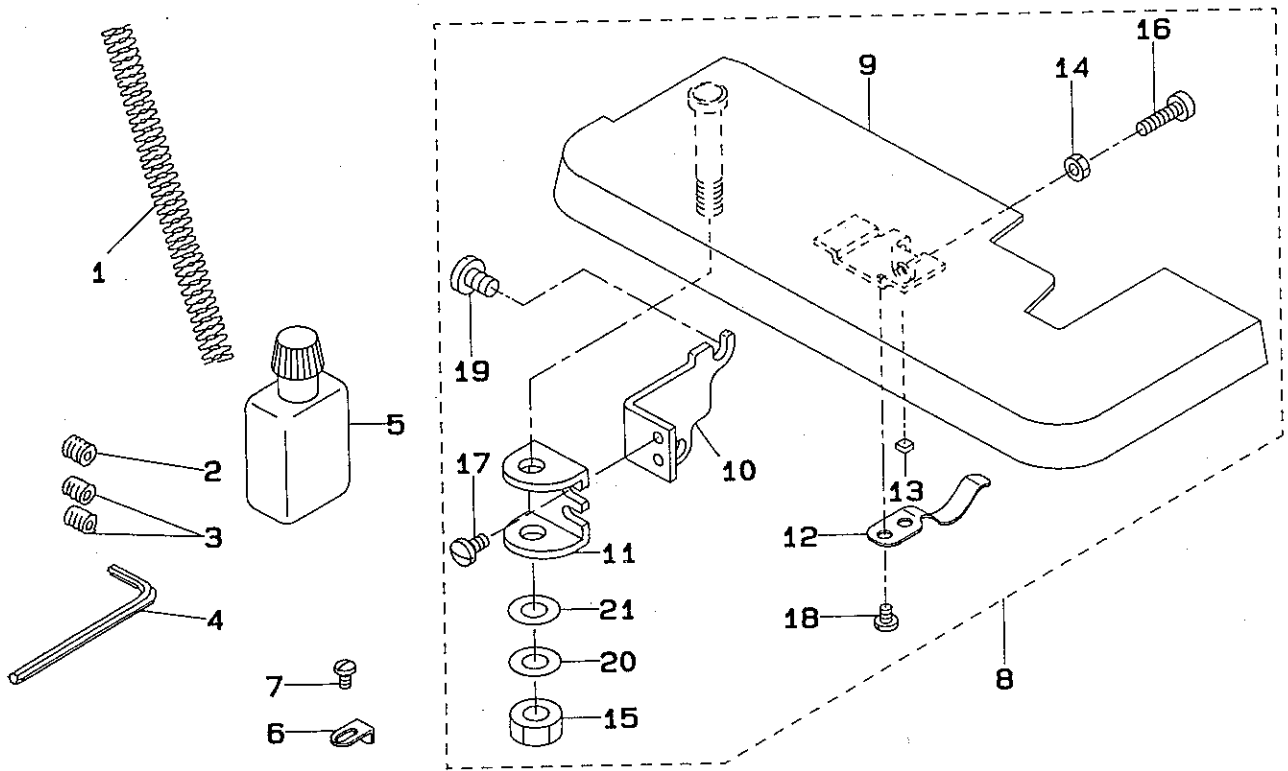
糸立装置関係



| REF.NO | NOTE | PART NO. | DESCRIPTION | ヒンメイ | Qty |
|--------|------|-----------------|-----------------------------|---------------------|-----|
| 1 | | 119-57750 | THREAD STANDING DEVICE ASM. | イトタテソウチ (クミ) | 1 |
| 2 | | WS-1643202-KR | SPRING WASHER | ハネサカネ 16.4X26.6X3.2 | (1) |
| 3 | | B3302-704-LCB | THREAD GUIDE ASM. | イトタテウチ B クミ | (2) |
| 4 | | B3319-704-L00 | THREAD GUIDE | イトミチ | (4) |
| 5 | | B3318-704-L00-A | THREAD GUIDE ARM JOINT | イトタテウチ シメカナク | (4) |
| 6 | | SM-6061610-SC | SCREW M6 L=16 | ヒラコネジ M6 L=16 | (4) |
| 7 | | 111-84108 | SPOOL REST ROD RUBBER CAP | イトタテホウ ホコゴム | (1) |
| 8 | | 119-57503 | SPOOL REST ROD, UPPER | イトタテホウ (ウエ) | (1) |
| 9 | | B3305-704-000-A | SPOOL REST ROD JOINT | イトタテホウ ツキテ | (1) |
| 10 | | SM-4051405-SE | SCREW M5X0.8 L=14 | ナハコネジ M5X0.8 L=14 | (2) |
| 11 | | NW-6050001-SE | NUT M5X0.8 | ワツカクナツ M5X0.8 1ｼｼ | (2) |
| 12 | | B3309-704-0A0 | THREAD GUIDE ARM ASM. | イトタテ イトアンナイ ウチ クミ | (1) |
| 13 | | B3311-804-000 | LOWER THREAD GUIDE | イトタテ イトアンナイ シタ | (1) |
| 14 | | SS-7110540-SP | SCREW 11/64-40 L=5 | マルヒラネジ 11/64-40 L=5 | (1) |
| 15 | | B3309-704-000 | THREAD GUIDE ARM | イトタテ イトアンナイ ウチ | (1) |
| 16 | | B3304-704-000-A | THREAD GUIDE ARM HOLDER | イトアンナイウチ ホルター | (1) |
| 17 | | SM-6053000-SE | SCREW M5X0.8 L=30 | ヒラコネジ M5X0.8 30 | (1) |
| 18 | | NW-6050001-SE | NUT M5X0.8 | ワツカクナツ M5X0.8 1ｼｼ | (1) |
| 19 | | 119-57404 | SPOOL REST ROD, LOWER | イトタテホウ (シタ) | (1) |
| 20 | | 111-84009 | SPOOL RETAINER | イトマキ フレトメ | (4) |
| 21 | | B3320-704-L00-A | SPOOL PIN | イトマキウケホウ | (4) |
| 22 | | B3311-012-000 | SPOOL REST CUSHION | イトマキウケサ | (4) |
| 23 | | 111-83902 | SPOOL REST | イトマキ ウケサラ | (4) |
| 24 | | 111-83803 | THREAD GUIDE | イトタテウチ B | (2) |
| 25 | | WS-0510002-KN | SPRING WASHER | ハネサカネ 5.1X9.2X1.3 | (4) |
| 26 | | NW-6050001-SE | NUT M5X0.8 | ワツカクナツ M5X0.8 1ｼｼ | (4) |
| 27 | | B3317-704-000 | NUT C15 | イトタテホウ トメナツト | (2) |
| 28 | | WP-1702600-S0 | WASHER 17X30X2.6 | ヒラサカネ 17X30X2.6 | (2) |
| 29 | | MAO-11532000 | CORD STAPLE | コート ステツプル | (3) |

17. SPECIAL ORDER PARTS COMPONENTS

特別注文部品関係



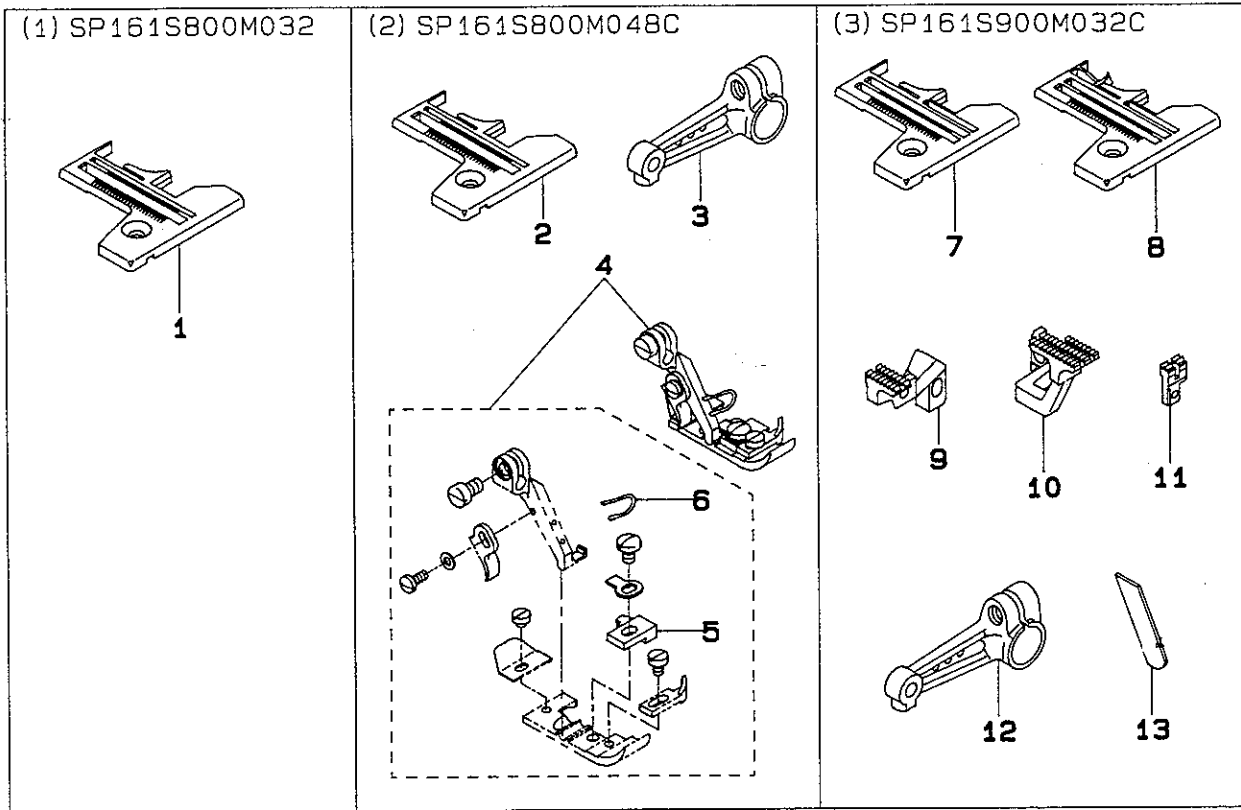
| REF.NO | NOTE | PART NO. | DESCRIPTION | 品名 | Qty |
|--------|------|-----------------|--------------------------------|-----------------------|-----|
| 1 | | B1515-804-000-A | PRESSER SPRING | 押しハネ | 1 |
| 2 | #01 | SS-8080322-TP | SCREW 1/8-44 L=3.2 | トメネジ 1/8-44 L=3.2 | 1 |
| 3 | #02 | SS-8080322-TP | SCREW 1/8-44 L=3.2 | トメネジ 1/8-44 L=3.2 | 2 |
| 4 | | B9112-804-000 | SPANNER | ハリトメネジ スパナ | 1 |
| 5 | | B9135-123-0B0 | SILICON OIL LUBRICANT ASM. (30 | エスレンヨーキ (30CC) | 1 |
| 6 | | 118-98103 | PRESSER FOOT AUXILIARY PLATE | 押しホジヨイタ | 1 |
| 7 | | SS-4080620-TP | SCREW 1/8-44 L=6 | ナメネジ 1/8-44 L=6 | 1 |
| 8 | | 122-26155 | CLOTH BASE ASM. | ヌメアイクミ | 1 |
| 9 | | 122-26163 | CLOTH BASE ASM. | ヌメアイクミ | (1) |
| 10 | | 122-26304 | FITTING PLATE A | ヌメアイトリツケイタ A | (1) |
| 11 | | 122-26403 | FITTING PLATE B | ヌメアイトリツケイタ B | (1) |
| 12 | | 122-26502 | CLOTH BASE SPRING | ヌメアイハネ | (1) |
| 13 | | 118-06304 | PLUG | ハリイタツタ | (1) |
| 14 | | NS-6110310-SP | NUT 11/64-40 | ワツカケナツツ 11/64-40 | (1) |
| 15 | | NS-6680320-SP | NUT 9/32-28 | ワツカケナツツ 9/32-28 | (2) |
| 16 | | SS-6111610-SP | SCREW 11/64-40 L=16 | ヒラネジ 11/64-40 L=16 | (1) |
| 17 | | SS-7110840-SP | SCREW 11/64-40 L=7.8 | マルヒラネジ 11/64-40 L=7.8 | (2) |
| 18 | | SS-7090540-TP | SCREW 9/64-40 L=5 | マルヒラネジ 9/64-40 L=5 | (2) |
| 19 | | SS-7150910-TP | SCREW | マルヒラネジ 15/64-28 L=9 | (2) |
| 20 | | WP-0841600-OE | WASHER 8.4X15.5X1.6 | ヒラサカガネ 8.4X15.5X1.6 | (1) |
| 21 | | WZ-0850302-K0 | WAVED WASHER 8.5X12.5X0.3 | ナミカガネ 8.5X12.5X0.3 | 1 |

Note (注記) #01....FOR SP151, SP161
#02....FOR SP172

SP151, SP161 用
SP172 用

18. SUBCLASSES

サブクラス

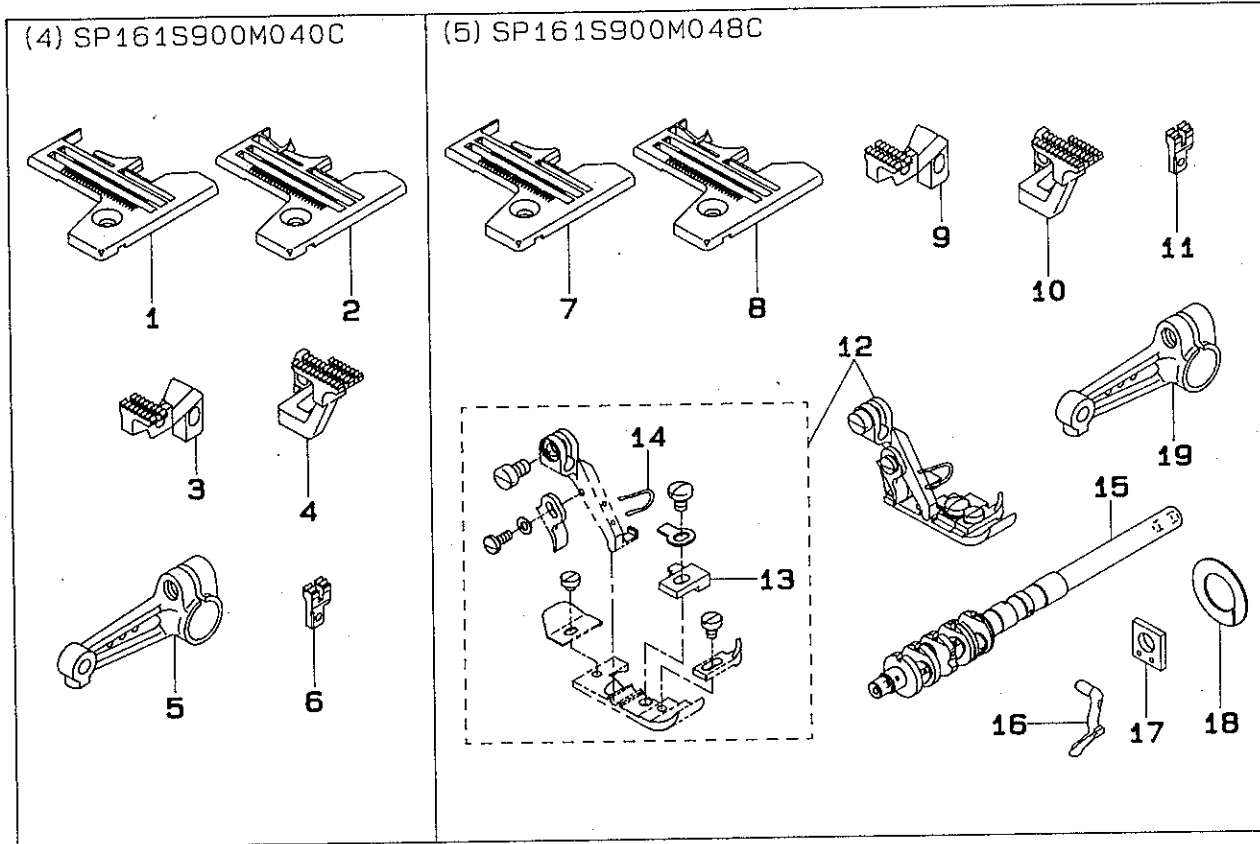


| REF.NO | NOTE | PART NO. | DESCRIPTION | ヒンメイ | Qty |
|--------|------|---------------|-----------------------|--|-----|
| 1 | | R4200-KOD-D00 | THROAT PLATE | ハリタ | 1 |
| 2 | | R4200-KOF-D00 | THROAT PLATE | ハリタ | 1 |
| 3 | | 122-14607 | UPPER LOOPER ARM D | ウエル-ハ ^o -ウテ ^o D | 1 |
| 4 | | 122-30462 | PRESSER FOOT ASH. | オキケツコ ^o ウ | 1 |
| 5 | | B1509-804-C0A | STITCH TONGUE | イトスハ ^o リタイ | (1) |
| 6 | | 118-20701 | FINGER GUARD | エビ ^o カ ^o -ト ^o | (1) |
| 7 | | R4300-KOD-E00 | THROAT PLATE | ハリタ | 1 |
| 8 | #01 | R4300-KOD-E0A | THROAT PLATE | ハリタ | 1 |
| 9 | | 122-35206 | MAIN FEED DOG | シュ オクリハ ^o | 1 |
| 10 | | 122-36709 | DIFFERENTIAL FEED DOG | フク オクリハ ^o | 1 |
| 11 | #01 | 122-38200 | AUXILIARY FEED DOG | ホジ ^o ヨオクリハ ^o | 1 |
| 12 | | 122-14607 | UPPER LOOPER ARM D | ウエル-ハ ^o -ウテ ^o D | 1 |
| 13 | | 122-20406 | LOWER KNIFE | シタメス | 1 |

Note (注記) #01.....P01/Q01 EXCHANGING PARTS

P01/Q01 交換部品

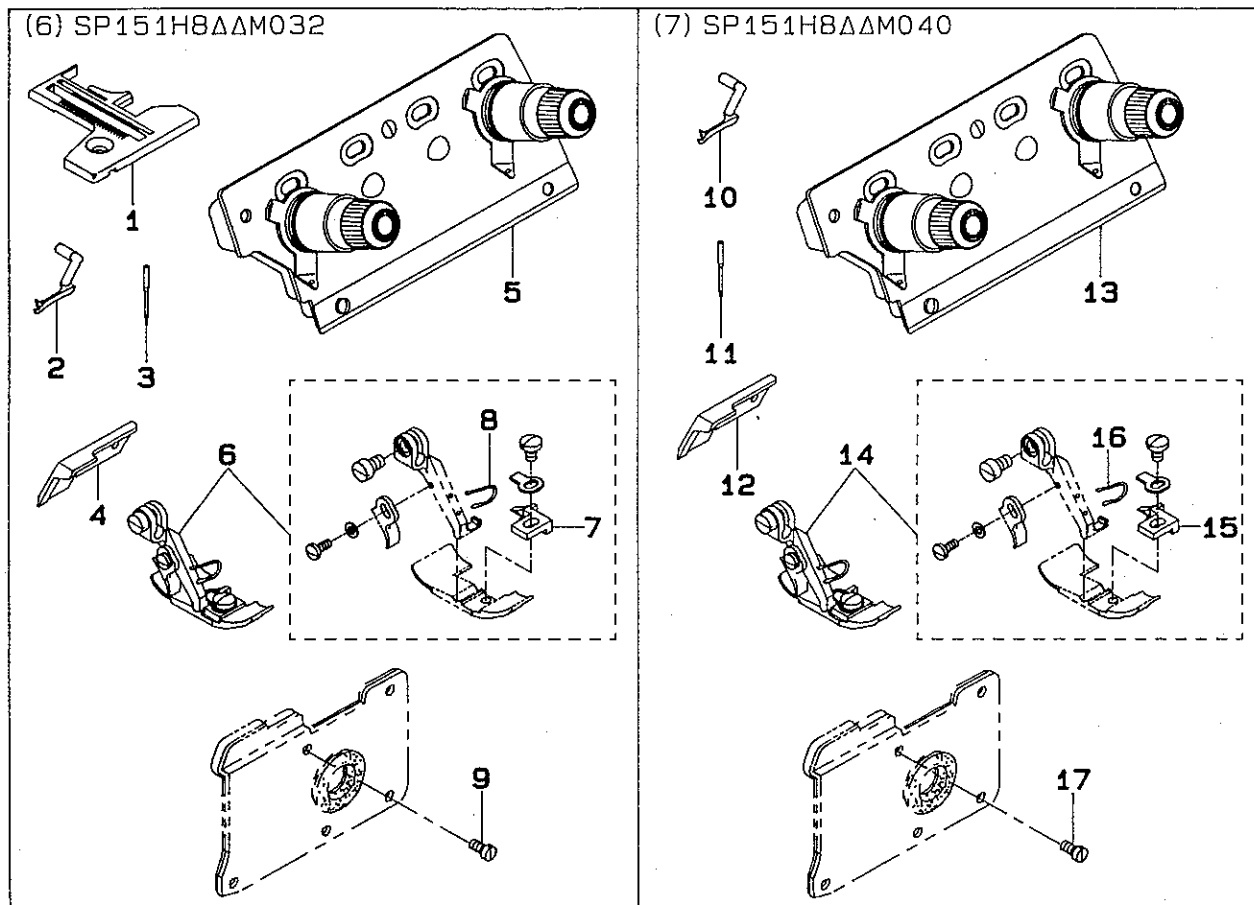
*ALL PARTS NOT MENTIONED ABOVE ARE SAME AS THOSE OF SP161S800M040.
上記以外の部品は、SP161S800M040 と共通です。



| REF.NO | NOTE | PART NO. | DESCRIPTION | ヒソメイ | Qty |
|--------|------|---------------|-----------------------|---|-----|
| 1 | | R4300-KOE-E00 | THROAT PLATE | ハリイタ | 1 |
| 2 | #01 | R4300-KOE-E0A | THROAT PLATE | ハリイタ | 1 |
| 3 | | 122-35206 | MAIN FEED DOG | シュ オクリハ | 1 |
| 4 | | 122-36709 | DIFFERENTIAL FEED DOG | フク オクリハ | 1 |
| 5 | | 122-14607 | UPPER LOOPER ARM D | ウエルハ ^o -ウテ ^m D | 1 |
| 6 | #01 | 122-38200 | AUXILIARY FEED DOG | ホジ ^o ヨクリハ | 1 |
| 7 | | R4300-KOF-E00 | THROAT PLATE | ハリイタ | 1 |
| 8 | #02 | R4300-KOF-E0A | THROAT PLATE | ハリイタ | 1 |
| 9 | | 122-35206 | MAIN FEED DOG | シュ オクリハ | 1 |
| 10 | | 122-36709 | DIFFERENTIAL FEED DOG | フク オクリハ | 1 |
| 11 | #02 | 122-38200 | AUXILIARY FEED DOG | ホジ ^o ヨクリハ | 1 |
| 12 | | 122-30462 | PRESSER FOOT ASM. | オサエケツコ ^ウ | 1 |
| 13 | | B1509-804-COA | STITCH TONGUE | イトス ^o リタ ^イ | (1) |
| 14 | | 118-20701 | FINGER GUARD | エビ ^o カ ^o -ト ^o | (1) |
| 15 | | 122-03709 | MAIN SHAFT | シュジ ^ク | 1 |
| 16 | | 122-47102 | UPPER LOOPER | ウエルハ ^o - | 1 |
| 17 | | 118-93609 | GAUGE | ウツルハ ^o カ ^o イト ^o ササ ^イ ケ ^o -ジ ^o | 1 |
| 18 | | 121-45108 | STOPPER | ル ^o -ハ ^o -ロツ ^o フレ ^o ト ^o メ | 2 |
| 19 | | 122-14607 | UPPER LOOPER ARM D | ウエルハ ^o -ウテ ^m D | 1 |

Note (注記) #01.....P02/Q01 EXCHANGING PARTS P02/Q01 交換部品
 #02.....P03/Q01 EXCHANGING PARTS P03/Q01 交換部品

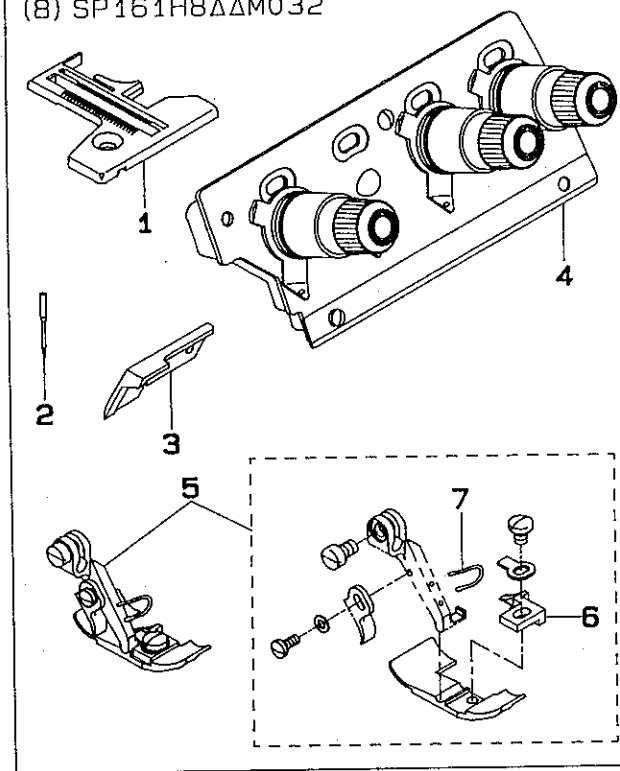
*ALL PARTS NOT MENTIONED ABOVE ARE SAME AS THOSE OF SP161S800M040
 上記以外の部品は、SP161S800M040 と共通です。



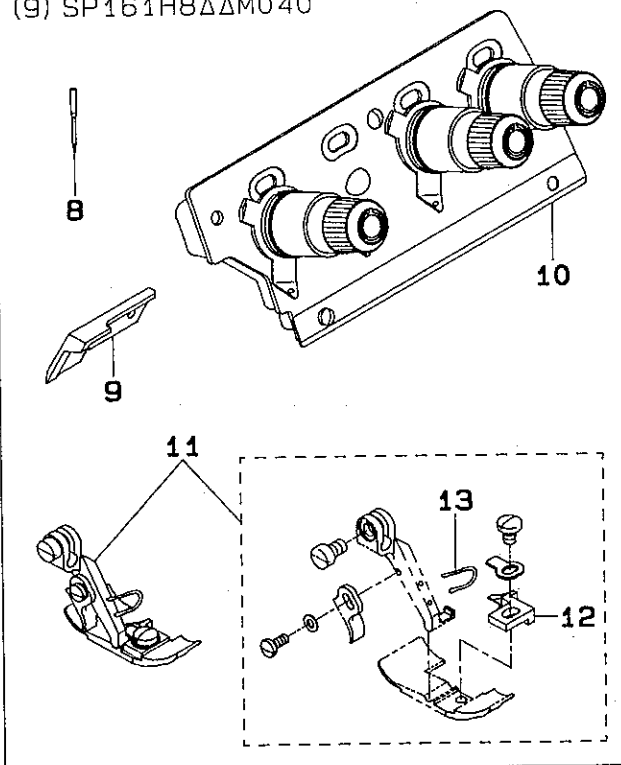
| REF.NO | NOTE | PART NO. | DESCRIPTION | ヒ ン メ イ | Qty |
|--------|------|---------------|-------------------------|------------------|-----|
| 1 | | R4200-K0D-D00 | THROAT PLATE | ハリイタ | 1 |
| 2 | | 122-47508 | UPPER LOOPER | ウエカキルハ | 1 |
| 3 | | MDC-270B0900 | NEEDLE DCX27 #9 | ハリ DCX27 #9 | 1 |
| 4 | | 118-45906 | UPPER KNIFE | ウワメス | 1 |
| 5 | | 121-80352 | THREAD GUIDE PLATE ASM. | イトアンナイハ | 1 |
| 6 | | 119-92161 | PRESSER FOOT ASM. | オサエ クミ | 1 |
| 7 | | 118-74807 | STITCH TONGUE | イトスヘリタ | (1) |
| 8 | | 118-20701 | FINGER GUARD | ユビガード | (1) |
| 9 | | SS-6090630-SP | SCREW 9/64-40 L=6 | ヒラネジ 9/64-40 L=6 | 1 |
| 10 | | 122-47508 | UPPER LOOPER | ウエカキルハ | 1 |
| 11 | | MDC-270B0900 | NEEDLE DCX27 #9 | ハリ DCX27 #9 | 1 |
| 12 | | 118-45906 | UPPER KNIFE | ウワメス | 1 |
| 13 | | 121-80352 | THREAD GUIDE PLATE ASM. | イトアンナイハ | 1 |
| 14 | | 119-92161 | PRESSER FOOT ASM. | オサエ クミ | 1 |
| 15 | | 118-74807 | STITCH TONGUE | イトスヘリタ | (1) |
| 16 | | 118-20701 | FINGER GUARD | ユビガード | (1) |
| 17 | | SS-6090630-SP | SCREW 9/64-40 L=6 | ヒラネジ 9/64-40 L=6 | 1 |

*ALL PARTS NOT MENTIONED ABOVE ARE SAME AS THOSE OF SP161S800M040.
 上記以外の部品は、SP161S800M040 と共通です。

(8) SP161H8ΔΔM032



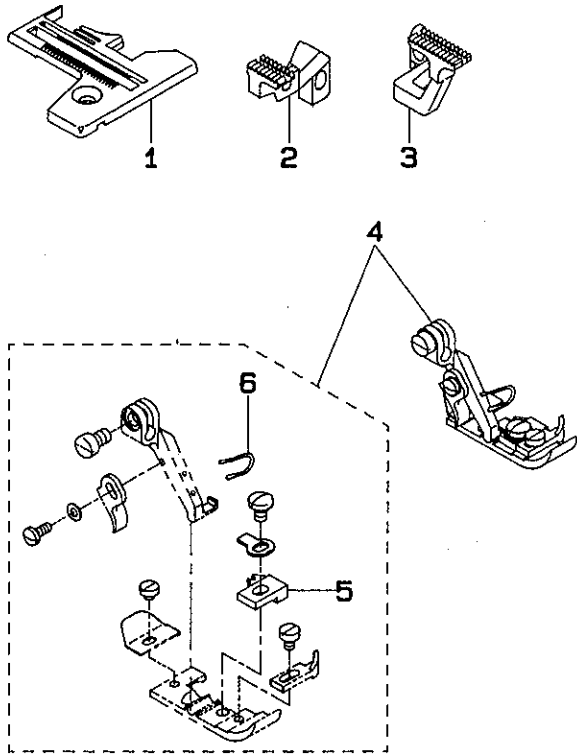
(9) SP161H8ΔΔM040



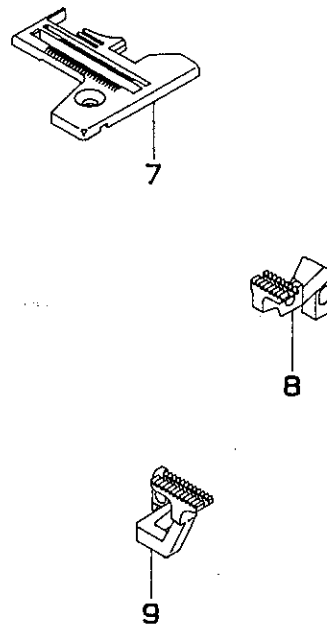
| REF.NO | NOTE | PART NO. | DESCRIPTION | ヒ ン メ イ | Qty |
|--------|------|---------------|-------------------------|-------------|-----|
| 1 | | R4200-KOD-D00 | THROAT PLATE | ハリイタ | 1 |
| 2 | | MDC-270B0900 | NEEDLE DCX27 #9 | ハリ DCX27 #9 | 1 |
| 3 | | 118-45906 | UPPER KNIFE | ウラメス | 1 |
| 4 | | 121-80550 | THREAD GUIDE PLATE ASM. | イトアンナイハクミ | 1 |
| 5 | | 119-92161 | PRESSER FOOT ASM. | オサエ クミ | 1 |
| 6 | | 118-74807 | STITCH TONGUE | イトスハ`リタイ | (1) |
| 7 | | 118-20701 | FINGER GUARD | エビ`カー`ト` | (1) |
| 8 | | MDC-270B0900 | NEEDLE DCX27 #9 | ハリ DCX27 #9 | 1 |
| 9 | | 118-45906 | UPPER KNIFE | ウラメス | 1 |
| 10 | | 121-80550 | THREAD GUIDE PLATE ASM. | イトアンナイハクミ | 1 |
| 11 | | 119-92161 | PRESSER FOOT ASM. | オサエ クミ | 1 |
| 12 | | 118-74807 | STITCH TONGUE | イトスハ`リタイ | (1) |
| 13 | | 118-20701 | FINGER GUARD | エビ`カー`ト` | (1) |

*ALL PARTS NOT MENTIONED ABOVE ARE SAME AS THOSE OF SP161S800M040.
上記以外の部品は、SP161S800M040 と共通です。

(10) SP172S800MAAC



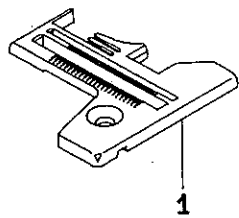
(11) SP172S800MACC



| REF.NO | NOTE | PART NO. | DESCRIPTION | ヒシメイ | Qty |
|--------|------|---------------|-----------------------|----------------------|-----|
| 1 | | R4205-KOB-D00 | THROAT PLATE | ハリイタ | 1 |
| 2 | | 122-35107 | MAIN FEED DOG | シュ オクリハ | 1 |
| 3 | | 122-36600 | DIFFERENTIAL FEED DOG | フク オクリハ | 1 |
| 4 | | 122-30561 | PRESSER FOOT ASM. | オサエケツコウ | 1 |
| 5 | | 118-74203 | STITCH TONGUE | イトス [△] リタイ | (1) |
| 6 | | 118-20701 | FINGER GUARD | エビ [△] ガード | (1) |
| 7 | | R4200-KOD-D00 | THROAT PLATE | ハリイタ | 1 |
| 8 | | 122-35107 | MAIN FEED DOG | シュ オクリハ | 1 |
| 9 | | 122-36600 | DIFFERENTIAL FEED DOG | フク オクリハ | 1 |

*ALL PARTS NOT MENTIONED ABOVE ARE SAME AS THOSE OF SP172S900MADC.
上記以外の部品は、SP172S900MADC と共通です。

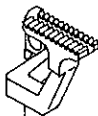
(12) SP172S800MADC



1

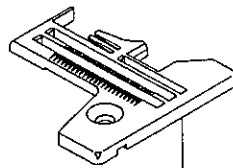


2

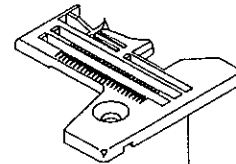


3

(13) SP172S900MACC



4



5



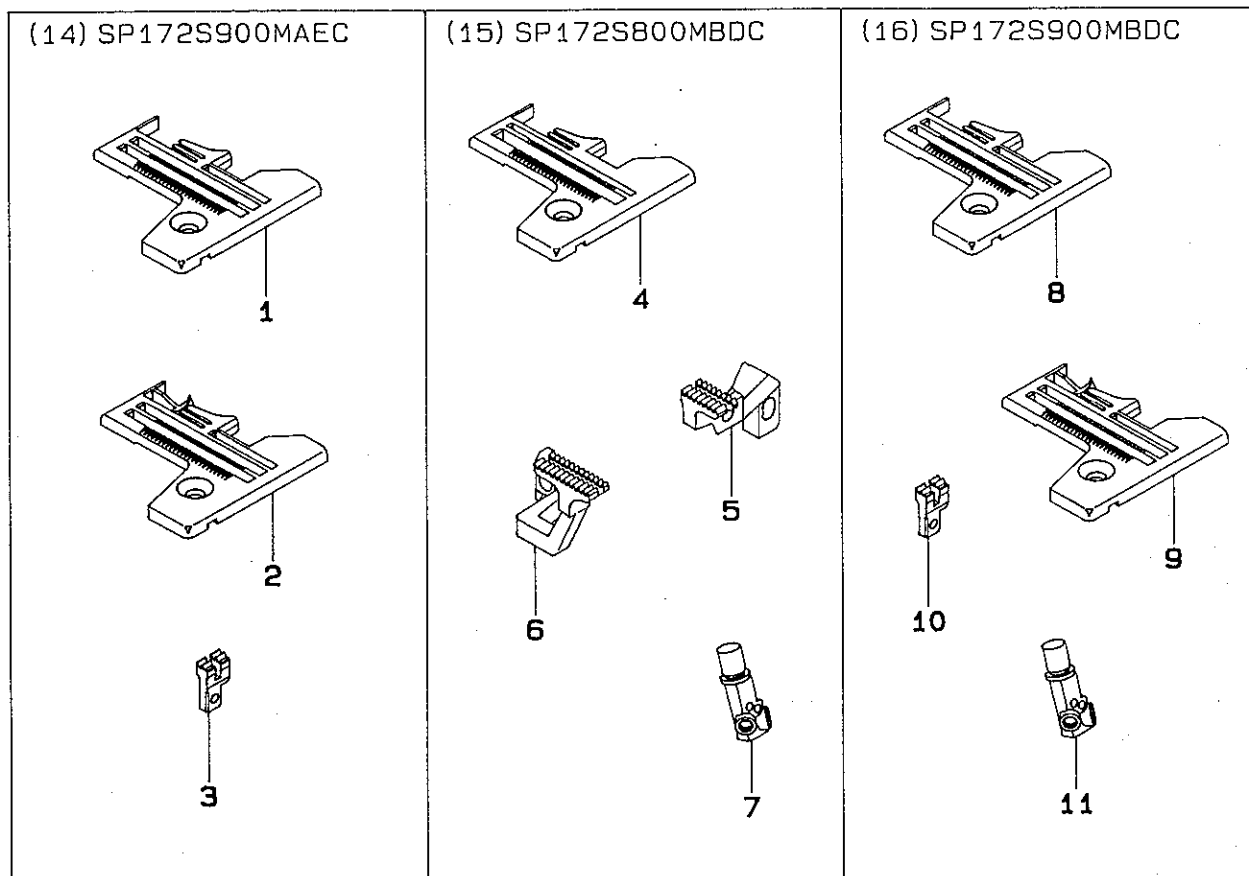
6

| REF.NO | NOTE | PART NO. | DESCRIPTION | ヒ ン メ イ | Qty |
|--------|------|---------------|-----------------------|----------|-----|
| 1 | | R4205-KOE-D00 | THROAT PLATE | ハリタ | 1 |
| 2 | | 122-35107 | MAIN FEED DOG | ジュ オクリハ | 1 |
| 3 | | 122-36600 | DIFFERENTIAL FEED DOG | フク オクリハ | 1 |
| 4 | | R4305-KOD-E00 | THROAT PLATE | ハリタ | 1 |
| 5 | #01 | R4305-KOD-E0A | THROAT PLATE | ハリタ | 1 |
| 6 | #01 | 122-38200 | AUXILIARY FEED DOG | ホジ ヨオクリハ | 1 |

Note (注記) #01....P04/Q01 EXCHANGING PARTS

P04/Q01 交換部品

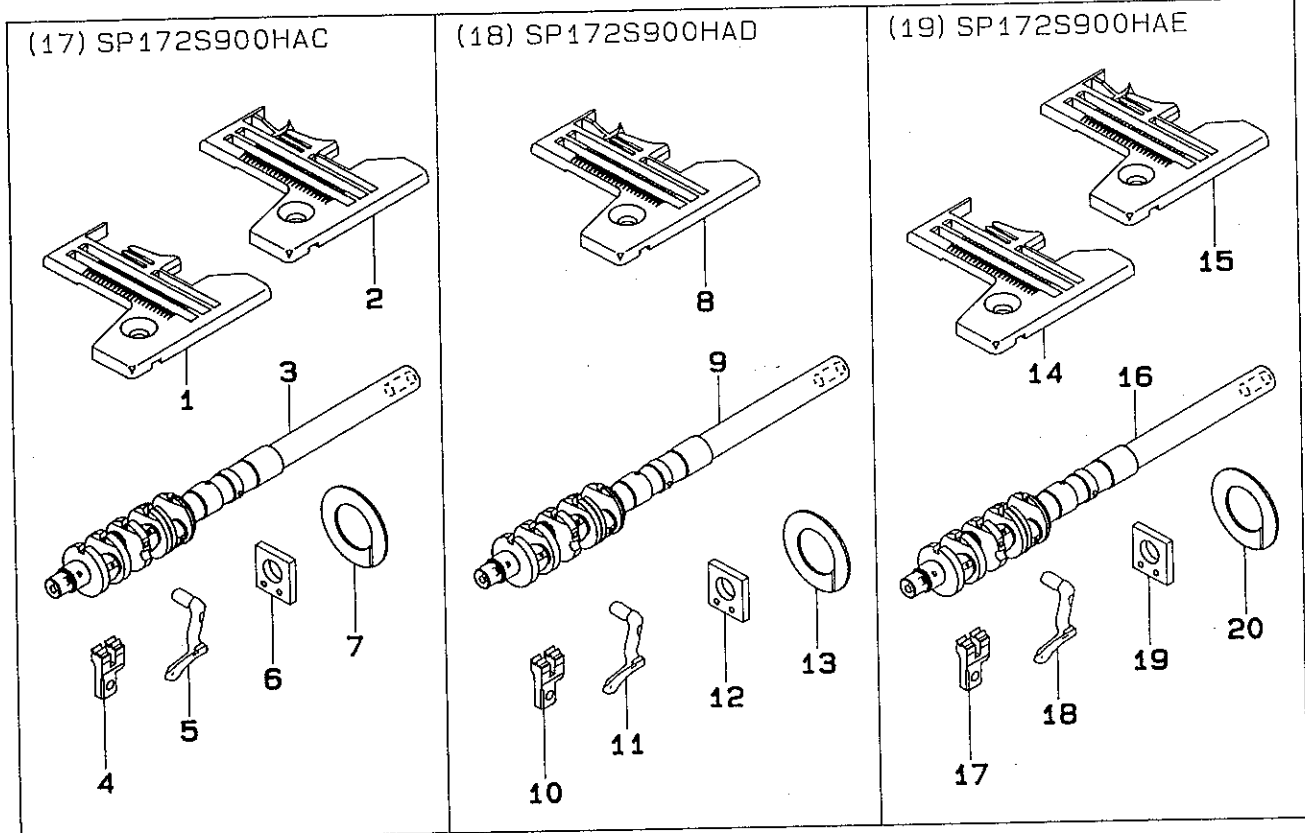
*ALL PARTS NOT MENTIONED ABOVE ARE SAME AS THOSE OF SP172S900MADC.
上記以外の部品は、SP172S900MADC と共通です。



| REF.NO | NOTE | PART NO. | DESCRIPTION | ヒ ン メ イ | Qty |
|--------|------|---------------|------------------------|-----------|-----|
| 1 | | R4305-K0F-E00 | THROAT PLATE | ハリイ | 1 |
| 2 | #01 | R4305-K0F-E0A | THROAT PLATE | ハリイ | 1 |
| 3 | #01 | 122-38200 | AUXILIARY FEED DOG | ホジョウクリハ | 1 |
| 4 | | R4206-K0E-D00 | THROAT PLATE | ハリイ | 1 |
| 5 | | 122-35107 | MAIN FEED DOG | シュ オクリハ | 1 |
| 6 | | 122-36600 | DIFFERENTIAL FEED DOG | フク オクリハ | 1 |
| 7 | | 121-49209 | NEEDLE CLAMP, 2-NEEDLE | ニホンハリハリトメ | 1 |
| 8 | | R4306-K0E-E00 | THROAT PLATE | ハリイ | 1 |
| 9 | #02 | R4306-K0E-E0A | THROAT PLATE | ハリイ | 1 |
| 10 | #02 | 122-38200 | AUXILIARY FEED DOG | ホジョウクリハ | 1 |
| 11 | | 121-49209 | NEEDLE CLAMP, 2-NEEDLE | ニホンハリハリトメ | 1 |

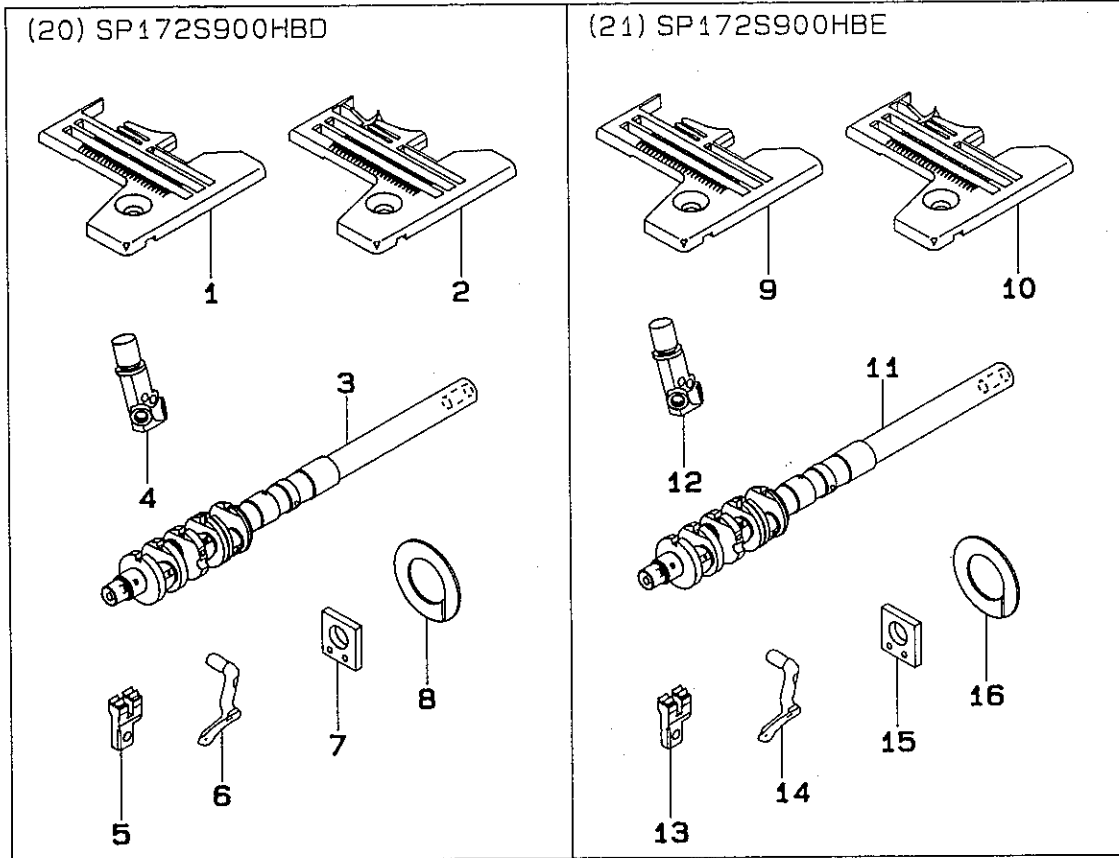
Note (注記) #01...P06/Q01 EXCHANGING PARTS P06/Q01 交換部品
 #02...P07/Q01 EXCHANGING PARTS P07/Q01 交換部品

*ALL PARTS NOT MENTIONED ABOVE ARE SAME AS THOSE OF SP172S900MADC.
 上記以外の部品は、SP172S900MADC と共通です。



| REF.NO | NOTE | PART NO. | DESCRIPTION | ヒ | ン | メ | イ | Qty |
|--------|------|---------------|--------------------|----|---|---|---|-----|
| 1 | | R4305-KOD-E00 | THROAT PLATE | ハリ | イ | | | 1 |
| 2 | #01 | R4305-KOD-E0A | THROAT PLATE | ハリ | イ | | | 1 |
| 3 | | 122-03709 | MAIN SHAFT | シュ | ツ | ク | | 1 |
| 4 | #01 | 122-38200 | AUXILIARY FEED DOG | ホ | シ | ョ | オ | ク |
| 5 | | 122-47102 | UPPER LOOPER | ウ | エ | ル | ハ | 1 |
| 6 | | 118-93609 | GAUGE | ウ | ワ | ル | ハ | 1 |
| 7 | | 121-45108 | STOPPER | ル | ハ | ロ | ツ | 2 |
| 8 | #02 | R4305-KOE-E0A | THROAT PLATE | ハリ | イ | | | 1 |
| 9 | | 122-03709 | MAIN SHAFT | シュ | ツ | ク | | 1 |
| 10 | #02 | 122-38200 | AUXILIARY FEED DOG | ホ | シ | ョ | オ | ク |
| 11 | | 122-47102 | UPPER LOOPER | ウ | エ | ル | ハ | 1 |
| 12 | | 118-93609 | GAUGE | ウ | ワ | ル | ハ | 1 |
| 13 | | 121-45108 | STOPPER | ル | ハ | ロ | ツ | 2 |
| 14 | | R4305-KOF-E00 | THROAT PLATE | ハリ | イ | | | 1 |
| 15 | #03 | R4305-KOF-E0A | THROAT PLATE | ハリ | イ | | | 1 |
| 16 | | 122-03709 | MAIN SHAFT | シュ | ツ | ク | | 1 |
| 17 | #03 | 122-38200 | AUXILIARY FEED DOG | ホ | シ | ョ | オ | ク |
| 18 | | 122-47102 | UPPER LOOPER | ウ | エ | ル | ハ | 1 |
| 19 | | 118-93609 | GAUGE | ウ | ワ | ル | ハ | 1 |
| 20 | | 121-45108 | STOPPER | ル | ハ | ロ | ツ | 2 |

Note (注記) #01...P04/Q01 EXCHANGING PARTS P04/Q01 交換部品
 #02...P05/Q01 EXCHANGING PARTS P05/Q01 交換部品
 #03...P06/Q01 EXCHANGING PARTS P06/Q01 交換部品
 *ALL PARTS NOT MENTIONED ABOVE ARE SAME AS THOSE OF SP172S900MADC.
 上記以外の部品は、SP172S900MADC と共通です。



| REF.NO | NOTE | PART NO. | DESCRIPTION | ヒソメイ | Qty |
|--------|------|---------------|------------------------|-----------------|-----|
| 1 | | R4306-KOE-E00 | THROAT PLATE | ハリイタ | 1 |
| 2 | #01 | R4306-KOE-E0A | THROAT PLATE | ハリイタ | 1 |
| 3 | | 122-03709 | MAIN SHAFT | シュジク | 1 |
| 4 | | 121-49209 | NEEDLE CLAMP, 2-NEEDLE | ニホンハリハリトメ | 1 |
| 5 | #01 | 122-38200 | AUXILIARY FEED DOG | ホジョウクリハ | 1 |
| 6 | | 122-47102 | UPPER LOOPER | ウエルハ | 1 |
| 7 | | 118-93609 | GAUGE | ウワルハ カイトササエ ケージ | 1 |
| 8 | | 121-45108 | STOPPER | ルハ ロットフレトメ | 2 |
| 9 | | R4306-KOF-E00 | THROAT PLATE | ハリイタ | 1 |
| 10 | #02 | R4306-KOF-E0A | THROAT PLATE | ハリイタ | 1 |
| 11 | | 122-03709 | MAIN SHAFT | シュジク | 1 |
| 12 | | 121-49209 | NEEDLE CLAMP, 2-NEEDLE | ニホンハリハリトメ | 1 |
| 13 | #02 | 122-38200 | AUXILIARY FEED DOG | ホジョウクリハ | 1 |
| 14 | | 122-47102 | UPPER LOOPER | ウエルハ | 1 |
| 15 | | 118-93609 | GAUGE | ウワルハ カイトササエ ケージ | 1 |
| 16 | | 121-45108 | STOPPER | ルハ ロットフレトメ | 2 |

Note (注記) #01...P07/Q01 EXCHANGING PARTS P07/Q01 交換部品
 #02...P08/Q01 EXCHANGING PARTS P08/Q01 交換部品

*ALL PARTS NOT MENTIONED ABOVE ARE SAME AS THOSE OF SP172S900MADC.
 上記以外の部品は、SP172S900MADC と共通です。

NUMERICAL INDEX OF PARTS

索引

| PART NO 品番 | PAGE 頁 | REF NO | PART NO 品番 | PAGE 頁 | REF NO | PART NO 品番 | PAGE 頁 | REF NO | PART NO 品番 | PAGE 頁 | REF NO |
|-----------------|-----------|-----------|---------------|-----------|-----------|---------------|-----------|-----------|---------------|-----------|-----------|
| BT-0400251-ED | 24 | 9 | CS-127101A-SH | 12 | 52 | R4306-KOF-E00 | 38 | 9 | SS-6090630-SP | 32 | 9 |
| BT-0500300-EA | 26 | 10 | | | | | | | SS-6090630-SP | 32 | 17 |
| BT-0500300-EA | 26 | 11 | D8204-555-D00 | 27 | 16 | SB-3120003-0A | 6 | 4 | SS-6090630-TP | 14 | 55 |
| BT-0500300-EG | 26 | 8 | | | | SB-3120003-0B | 6 | 5 | SS-6090650-SP | 18 | 6 |
| BT-0600402-EA | 8 | 45 | MA0-11532000 | 28 | 29 | SB-3120003-0C | 6 | 6 | SS-6090650-SP | 18 | 29 |
| B1140-716-000 | 2 | 11 | MDC-270B0900 | 32 | 3 | SB-3120003-0D | 6 | 7 | SS-6090650-SP | 26 | 29 |
| B1211-804-000 | 6 | 17 | MDC-270B0900 | 32 | 11 | SB-3120003-0E | 6 | 8 | SS-6090670-TP | 8 | 50 |
| B1211-804-000 | 6 | 39 | MDC-270B0900 | 33 | 2 | SB-3350002-0A | 10 | 5 | SS-6090810-TP | 12 | 16 |
| B1212-704-000 | 6 | 16 | MDC-270B0900 | 33 | 8 | SB-3350002-0B | 10 | 6 | SS-6090810-TP | 12 | 22 |
| B1508-804-00B | 18 | 14 | MDC-270B1100 | 8 | 32 | SB-3350002-0C | 10 | 7 | SS-6090910-TP | 12 | 28 |
| B1508-804-00B | 18 | 22 | MDC-270B1100 | 8 | 35 | SB-3350002-0D | 10 | 8 | SS-6090910-TP | 14 | 59 |
| B1509-804-COA | 30 | 5 | | | | SB-3350002-0E | 10 | 9 | SS-6110480-SP | 22 | 17 |
| B1509-804-COA | 31 | 13 | NM-6050001-SE | 28 | 11 | SD-0260271-SP | 10 | 14 | SS-6110710-TP | 16 | 31 |
| B1509-804-C00 | 18 | 15 | NM-6050001-SE | 28 | 18 | SD-0280401-SL | 8 | 29 | SS-6111010-SP | 2 | 25 |
| B1509-814-00P | 18 | 23 | NM-6050001-SE | 28 | 26 | SD-0640241-SP | 16 | 6 | SS-6111010-TP | 12 | 33 |
| B1510-814-000 | 18 | 17 | NS-6090310-SN | 2 | 12 | SD-0640321-TP | 12 | 55 | SS-6111110-SP | 10 | 20 |
| B1510-814-000 | 18 | 24 | NS-6090310-SP | 20 | 42 | SK-2351600-SC | 27 | 5 | SS-6111140-SP | 14 | 57 |
| B1511-814-000 | 18 | 11 | NS-6110310-SP | 26 | 20 | SK-3311500-SC | 27 | 15 | SS-6111610-SP | 29 | 16 |
| B1511-814-000 | 18 | 25 | NS-6110310-SP | 26 | 36 | SM-4051405-SE | 28 | 10 | SS-6121020-SP | 26 | 54 |
| B1515-804-00B | 16 | 12 | NS-6110310-SP | 29 | 14 | SM-6053000-SE | 28 | 17 | SS-6121220-TP | 12 | 40 |
| B1515-804-000-A | 29 | 1 | NS-6110420-SP | 16 | 39 | SM-6061610-SC | 28 | 6 | SS-6151210-SP | 16 | 27 |
| B1528-804-000-A | 18 | 2 | NS-6150310-SP | 16 | 28 | SQ-0000451-MZ | 26 | 12 | SS-6660610-TP | 12 | 70 |
| B1530-804-000 | 18 | 7 | NS-6240630-SN | 27 | 12 | SQ-1110451-MZ | 26 | 6 | SS-6660710-TP | 10 | 3 |
| B1530-804-000 | 18 | 26 | NS-6680320-SP | 29 | 15 | SQ-1110451-MZ | 26 | 18 | SS-6741010-SP | 4 | 36 |
| B1536-804-000 | 12 | 73 | NS-6680410-SP | 4 | 32 | SQ-1110451-MZ | 26 | 37 | SS-7060310-SP | 26 | 45 |
| B1620-804-000 | 12 | 38 | | | | SQ-1150441-SD | 26 | 13 | SS-7060510-SP | 22 | 14 |
| B1646-704-000-A | 12 | 63 | PS-0150065-KP | 22 | 30 | SQ-1150451-MZ | 26 | 7 | SS-7060610-SP | 12 | 17 |
| B1647-704-000-A | 12 | 62 | PS-0200062-KH | 14 | 52 | SQ-1150454-SD | 26 | 14 | SS-7060610-SP | 14 | 31 |
| B1652-704-000 | 10 | 31 | PS-0300132-KH | 4 | 37 | SS-1110840-SP | 4 | 10 | SS-7060610-SP | 18 | 9 |
| B1707-155-000 | 12 | 39 | PS-0300132-KH | 10 | 13 | SS-2090520-SL | 2 | 9 | SS-7060610-SP | 18 | 30 |
| B2530-704-000 | 14 | 15 | PS-0300132-KH | 20 | 45 | SS-2090830-SL | 20 | 41 | SS-7080520-SP | 18 | 13 |
| B2531-704-000 | 14 | 51 | PS-0300142-KH | 16 | 7 | SS-2110910-SL | 22 | 13 | SS-7080520-SP | 18 | 31 |
| B3013-141-H0A | 4 | 25 | | | | SS-2110920-TP | 4 | 16 | SS-7080520-SP | 22 | 21 |
| B3101-804-000 | 20 | 16 | RE-0320000-K0 | 10 | 29 | SS-3090510-SP | 4 | 18 | SS-7090530-SP | 2 | 13 |
| B3102-804-000 | 20 | 7 | RE-0400000-K0 | 12 | 4 | SS-3090610-SP | 2 | 15 | SS-7090540-TP | 12 | 58 |
| B3103-804-000 | 20 | 25 | RO-0371801-00 | 12 | 12 | SS-3090610-SP | 14 | 21 | SS-7090540-TP | 24 | 4 |
| B3112-704-000 | 20 | 6 | RO-0371801-00 | 14 | 27 | SS-3090610-SP | 14 | 24 | SS-7090540-TP | 29 | 18 |
| B3112-704-000 | 20 | 15 | RO-0601501-00 | 12 | 66 | SS-4060310-SP | 23 | 9 | SS-7090610-SP | 2 | 17 |
| B3112-704-000 | 20 | 24 | RO-0781901-00 | 4 | 6 | SS-4060310-SP | 23 | 16 | SS-7090611-SL | 4 | 27 |
| B3120-352-000 | 20 | 11 | RO-1082401-00 | 8 | 22 | SS-4080610-SP | 14 | 66 | SS-7090850-SP | 14 | 18 |
| B3120-352-000 | 20 | 20 | RO-1100901-00 | 16 | 16 | SS-4080620-TP | 29 | 7 | SS-7090910-SP | 24 | 8 |
| B3120-352-000 | 20 | 29 | RO-1100901-00 | 16 | 18 | SS-4090615-SP | 14 | 29 | SS-7110510-SP | 16 | 5 |
| B3120-704-000 | 20 | 9 | RO-2182401-00 | 26 | 3 | SS-4110515-SP | 8 | 37 | SS-7110510-SP | 22 | 22 |
| B3120-704-000 | 20 | 18 | RO-3152001-00 | 2 | 4 | SS-4110515-SP | 8 | 47 | SS-7110540-SP | 28 | 14 |
| B3120-704-000 | 20 | 27 | RO-3473501-00 | 6 | 42 | SS-4110615-SP | 26 | 19 | SS-7110720-SP | 2 | 14 |
| B3126-012-000 | 20 | 10 | R4200-KOD-D00 | 30 | 1 | SS-4110715-SP | 4 | 15 | SS-7110740-TL | 20 | 43 |
| B3126-012-000 | 20 | 19 | R4200-KOD-D00 | 32 | 1 | SS-4110715-SP | 8 | 40 | SS-7110840-SP | 4 | 11 |
| B3126-012-000 | 20 | 28 | R4200-KOD-D00 | 33 | 1 | SS-4110715-SP | 14 | 20 | SS-7110840-SP | 6 | 21 |
| B3228-771-00B | 12 | 34 | R4200-KOD-D00 | 34 | 7 | SS-4110715-SP | 16 | 10 | SS-7110840-SP | 6 | 22 |
| B3302-704-LCB | 28 | 3 | R4200-KOE-D00 | 22 | 26 | SS-4110815-SP | 22 | 24 | SS-7110840-SP | 14 | 11 |
| B3304-704-000-A | 28 | 16 | R4200-KOF-D00 | 30 | 2 | SS-4110915-SP | 24 | 10 | SS-7110840-SP | 22 | 15 |
| B3305-704-000-A | 28 | 9 | R4205-KOB-D00 | 34 | 1 | SS-4120615-SP | 2 | 24 | SS-7110840-SP | 29 | 17 |
| B3309-704-0A0 | 28 | 12 | R4205-KOE-D00 | 35 | 1 | SS-4120615-SP | 26 | 34 | SS-7110910-SP | 12 | 27 |
| B3309-704-000 | 28 | 15 | R4206-KOE-D00 | 36 | 4 | SS-4120915-SP | 2 | 7 | SS-7110910-TP | 10 | 25 |
| B3311-012-000 | 28 | 22 | R4300-KOD-E0A | 30 | 8 | SS-4120915-SP | 6 | 44 | SS-7110910-TP | 20 | 46 |
| B3311-804-000 | 28 | 13 | R4300-KOD-E00 | 30 | 7 | SS-4120915-SP | 12 | 59 | SS-7111410-SP | 6 | 52 |
| B3317-704-000 | 28 | 27 | R4300-KOE-E0A | 31 | 2 | SS-4120915-SP | 22 | 19 | SS-7111410-SP | 16 | 40 |
| B3318-704-L00-A | 28 | 5 | R4300-KOE-E00 | 31 | 1 | SS-4121215-SP | 4 | 4 | SS-7111410-TK | 20 | 44 |
| B3319-704-L00 | 28 | 4 | R4300-KOF-E0A | 31 | 8 | SS-4121215-SP | 16 | 25 | SS-7111410-TP | 6 | 29 |
| B3320-704-L00-A | 28 | 21 | R4300-KOF-E00 | 31 | 7 | SS-4150715-SP | 26 | 42 | SS-7111410-TP | 6 | 36 |
| B9112-804-000 | 29 | 4 | R4305-KOD-E0A | 35 | 5 | SS-4151215-SP | 4 | 8 | SS-7111810-TP | 6 | 20 |
| B9135-123-0B0 | 29 | 5 | R4305-KOD-E0A | 37 | 2 | SS-5080212-TP | 6 | 12 | SS-7111810-TP | 6 | 25 |
| | | | R4305-KOD-E00 | 35 | 4 | SS-5110710-SP | 4 | 23 | SS-7111810-TP | 6 | 27 |
| | | | R4305-KOD-E00 | 37 | 1 | SS-5110740-TP | 6 | 1 | SS-7111810-TP | 6 | 34 |
| CQ-2000000-00 | 14 | 47 | R4305-KOE-E0A | 22 | 32 | SS-6060210-SP | 18 | 10 | SS-7111810-TP | 12 | 45 |
| CQ-2000000-00 | 24 | 7 | R4305-KOE-E0A | 37 | 8 | SS-6060210-SP | 18 | 27 | SS-7120910-SP | 12 | 13 |
| CQ-2020000-00 | 14 | 46 | R4305-KOE-E00 | 22 | 27 | SS-6060440-TP | 18 | 3 | SS-7121610-SP | 26 | 5 |
| CQ-2020000-00 | 26 | 46 | R4305-KOF-E0A | 36 | 2 | SS-6060440-TP | 18 | 16 | SS-7150910-TP | 29 | 19 |
| CQ-2520000-00 | 8 | 16 | R4305-KOF-E0A | 37 | 15 | SS-6060440-TP | 18 | 28 | SS-7151340-TP | 14 | 37 |
| CQ-2520000-00 | 8 | 53 | R4305-KOF-E00 | 36 | 1 | SS-6080340-SP | 10 | 16 | SS-7161040-SP | 16 | 35 |
| CS-0790731-SH | 12 | 9 | R4305-KOF-E00 | 37 | 14 | SS-6080340-SP | 16 | 9 | SS-8080310-TP | 8 | 31 |
| CS-087081B-SH | 12 | 67 | R4306-KOE-E0A | 36 | 9 | SS-6080410-SP | 12 | 50 | SS-8080310-TP | 8 | 34 |
| CS-087081C-SH | 12 | 72 | R4306-KOE-E0A | 38 | 2 | SS-6080410-SP | 14 | 13 | SS-8080310-TP | 22 | 16 |
| CS-100101D-SH | 14 | 62 | R4306-KOE-E00 | 36 | 8 | SS-6080720-SP | 8 | 25 | SS-8080310-TP | 22 | 20 |
| CS-103121A-SH | 14 | 2 | R4306-KOE-E00 | 38 | 1 | SS-6090630-SP | 14 | 16 | SS-8080322-TP | 29 | 2 |
| CS-1111019-SH | 23 | 6 | R4306-KOF-E0A | 38 | 10 | SS-6090630-SP | 27 | 17 | SS-8080322-TP | 29 | 3 |
| CS-1201010-SH | 8 | 8 | | | | | | | | | |

NUMERICAL INDEX OF PARTS

索引

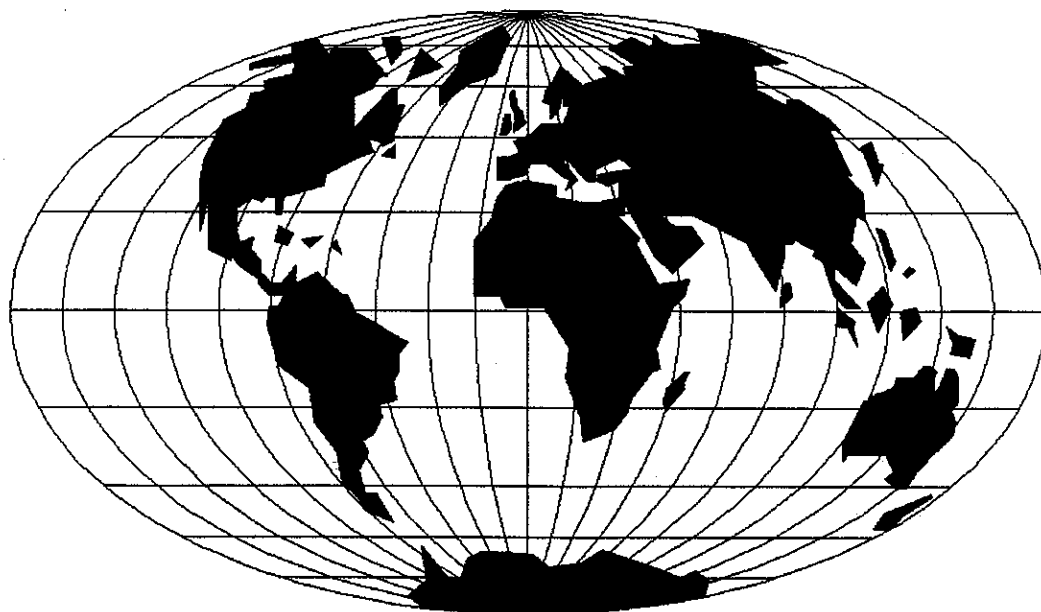
| PART NO 品番 | PAGE 頁 | REF NO | PART NO 品番 | PAGE 頁 | REF NO | PART NO 品番 | PAGE 頁 | REF NO | PART NO 品番 | PAGE 頁 | REF NO |
|---------------|-----------|-----------|---------------|-----------|-----------|---------------|-----------|-----------|---------------|-----------|-----------|
| SS-8080410-TP | 6 | 13 | 101-26803 | 26 | 9 | 119-57750 | 28 | 1 | 121-18600 | 10 | 30 |
| SS-8080410-TP | 22 | 31 | 111-11705 | 22 | 18 | 119-60002 | 27 | 4 | 121-18709 | 12 | 65 |
| SS-8090530-TP | 8 | 14 | 111-55108 | 27 | 13 | 119-68609 | 27 | 3 | 121-22107 | 6 | 28 |
| SS-8110410-TP | 2 | 19 | 111-55207 | 27 | 14 | 119-92161 | 32 | 6 | 121-22107 | 6 | 35 |
| SS-8110410-TP | 12 | 8 | 111-83803 | 28 | 24 | 119-92161 | 32 | 14 | 121-22206 | 6 | 32 |
| SS-8110410-TP | 12 | 10 | 111-83902 | 28 | 23 | 119-92161 | 33 | 5 | 121-22305 | 6 | 30 |
| SS-8110410-TP | 12 | 68 | 111-84009 | 28 | 20 | 119-92161 | 33 | 11 | 121-22354 | 6 | 26 |
| SS-8110410-TP | 12 | 74 | 111-84108 | 28 | 7 | 121-00202 | 4 | 13 | 121-22404 | 14 | 5 |
| SS-8110410-TP | 16 | 15 | 115-03703 | 4 | 29 | 121-00301 | 4 | 14 | 121-22503 | 14 | 4 |
| SS-8110410-TP | 26 | 23 | 115-10609 | 6 | 40 | 121-00400 | 4 | 1 | 121-22602 | 14 | 1 |
| SS-8110422-TP | 6 | 3 | 115-29005 | 12 | 60 | 121-00509 | 4 | 12 | 121-22800 | 14 | 41 |
| SS-8110422-TP | 22 | 28 | 115-29906 | 12 | 5 | 121-00608 | 4 | 3 | 121-22859 | 14 | 40 |
| SS-8110520-TP | 10 | 21 | 115-65504 | 23 | 17 | 121-00707 | 4 | 2 | 121-22909 | 14 | 34 |
| SS-8110520-TP | 16 | 21 | 115-65702 | 23 | 15 | 121-00806 | 4 | 5 | 121-23204 | 14 | 33 |
| SS-8110710-SP | 8 | 23 | 115-65801 | 23 | 10 | 121-01408 | 2 | 22 | 121-23808 | 14 | 19 |
| SS-8111010-TP | 12 | 32 | 115-66809 | 23 | 11 | 121-01507 | 2 | 10 | 121-23907 | 14 | 23 |
| SS-8120410-SP | 8 | 6 | 115-71403 | 27 | 8 | 121-01804 | 4 | 9 | 121-24004 | 14 | 10 |
| SS-8120410-SP | 26 | 47 | 115-71601 | 27 | 2 | 121-01903 | 4 | 7 | 121-24202 | 14 | 17 |
| SS-8151150-SP | 6 | 48 | 115-98000 | 23 | 13 | 121-02000 | 4 | 26 | 121-26108 | 20 | 47 |
| SS-8660330-SP | 23 | 7 | 118-03004 | 2 | 16 | 121-02505 | 4 | 17 | 121-26207 | 20 | 3 |
| SS-8660530-TP | 14 | 3 | 118-05207 | 4 | 21 | 121-03206 | 2 | 21 | 121-26405 | 20 | 12 |
| SS-8660530-TP | 14 | 63 | 118-06304 | 29 | 13 | 121-03404 | 2 | 26 | 121-26405 | 20 | 21 |
| SS-8660610-TP | 8 | 9 | 118-10306 | 4 | 35 | 121-04907 | 4 | 28 | 121-26405 | 20 | 30 |
| SS-8660610-TP | 12 | 53 | 118-11601 | 6 | 46 | 121-07611 | 6 | 47 | 121-26504 | 20 | 37 |
| SS-9090410-TP | 14 | 36 | 118-19109 | 16 | 37 | 121-07702 | 6 | 43 | 121-26702 | 20 | 8 |
| SS-9090610-TP | 14 | 9 | 118-19307 | 16 | 36 | 121-07801 | 6 | 45 | 121-26702 | 20 | 17 |
| SS-9090610-TP | 14 | 43 | 118-19414 | 16 | 26 | 121-09104 | 6 | 24 | 121-26702 | 20 | 26 |
| SS-9111610-SP | 23 | 19 | 118-19703 | 16 | 29 | 121-09153 | 6 | 23 | 121-26801 | 20 | 14 |
| SS-9151210-TP | 4 | 20 | 118-20701 | 18 | 18 | 121-09203 | 8 | 3 | 121-26850 | 20 | 13 |
| SS-9151210-TP | 6 | 31 | 118-20701 | 18 | 33 | 121-09252 | 8 | 1 | 121-26900 | 20 | 5 |
| SS-9151210-TP | 6 | 38 | 118-20701 | 30 | 6 | 121-09302 | 8 | 4 | 121-26959 | 20 | 4 |
| SS-9151210-TP | 8 | 2 | 118-20701 | 31 | 14 | 121-09401 | 8 | 5 | 121-27007 | 20 | 23 |
| SS-9151210-TP | 8 | 12 | 118-20701 | 32 | 8 | 121-09500 | 8 | 7 | 121-27056 | 20 | 22 |
| SS-9151210-TP | 10 | 23 | 118-20701 | 32 | 16 | 121-09609 | 8 | 13 | 121-27403 | 20 | 31 |
| SS-9151210-TP | 12 | 51 | 118-20701 | 33 | 7 | 121-09658 | 8 | 11 | 121-27502 | 20 | 32 |
| SS-9151210-TP | 14 | 8 | 118-20701 | 33 | 13 | 121-09906 | 8 | 17 | 121-27601 | 20 | 33 |
| SS-9151210-TP | 14 | 42 | 118-20701 | 34 | 6 | 121-09906 | 8 | 54 | 121-27700 | 20 | 34 |
| SS-9151210-TP | 14 | 54 | 118-23804 | 8 | 10 | 121-09955 | 8 | 15 | 121-27809 | 20 | 35 |
| SS-9151210-TP | 16 | 34 | 118-23804 | 10 | 26 | 121-09955 | 8 | 52 | 121-27957 | 20 | 36 |
| SS-9152130-CP | 26 | 30 | 118-23804 | 23 | 1 | 121-10102 | 8 | 18 | 121-28203 | 20 | 38 |
| SS-9661230-CP | 23 | 4 | 118-28050 | 12 | 7 | 121-10201 | 8 | 20 | 121-28302 | 20 | 39 |
| SS-9681610-TP | 6 | 50 | 118-31708 | 14 | 45 | 121-10250 | 8 | 19 | 121-29102 | 26 | 16 |
| | | | 118-31757 | 14 | 44 | 121-10300 | 8 | 21 | 121-29201 | 26 | 26 |
| TA-0290301-HO | 26 | 4 | 118-31807 | 14 | 26 | 121-10409 | 8 | 24 | 121-29250 | 26 | 17 |
| TA-0400301-HO | 26 | 50 | 118-31906 | 14 | 25 | 121-10607 | 8 | 26 | 121-29300 | 26 | 21 |
| TA-0400301-HO | 26 | 53 | 118-33407 | 14 | 22 | 121-10805 | 8 | 28 | 121-29607 | 26 | 35 |
| TA-0620504-RO | 20 | 40 | 118-33506 | 14 | 12 | 121-10904 | 8 | 27 | 121-29706 | 26 | 2 |
| TA-0750704-RO | 4 | 38 | 118-40303 | 26 | 25 | 121-11209 | 8 | 36 | 121-29805 | 26 | 41 |
| TA-0800504-RO | 4 | 39 | 118-40402 | 26 | 27 | 121-11308 | 8 | 38 | 121-29854 | 26 | 38 |
| TA-0950806-RO | 24 | 14 | 118-41707 | 26 | 22 | 121-11506 | 8 | 49 | 121-29904 | 26 | 39 |
| TA-0951301-RO | 8 | 43 | 118-41806 | 26 | 24 | 121-11605 | 8 | 51 | 121-30001 | 26 | 40 |
| TA-1450404-RO | 2 | 6 | 118-43208 | 26 | 1 | 121-11803 | 8 | 46 | 121-30100 | 26 | 32 |
| TA-1470702-RO | 4 | 40 | 118-43406 | 26 | 28 | 121-11902 | 8 | 48 | 121-30209 | 26 | 33 |
| TA-1701107-RO | 4 | 22 | 118-45807 | 23 | 14 | 121-12108 | 8 | 39 | 121-30308 | 26 | 48 |
| TA-2050805-RO | 4 | 19 | 118-45906 | 32 | 4 | 121-12207 | 8 | 42 | 121-30407 | 26 | 49 |
| | | | 118-45906 | 32 | 12 | 121-12306 | 8 | 41 | 121-30506 | 26 | 51 |
| WP-0250516-SD | 18 | 8 | 118-45906 | 33 | 3 | 121-12405 | 8 | 44 | 121-30605 | 26 | 52 |
| WP-0250516-SD | 18 | 32 | 118-45906 | 33 | 9 | 121-13601 | 16 | 23 | 121-30704 | 26 | 44 |
| WP-0370316-SD | 27 | 6 | 118-48405 | 23 | 18 | 121-13700 | 16 | 24 | 121-30803 | 26 | 43 |
| WP-0371026-SD | 12 | 29 | 118-56101 | 24 | 5 | 121-13809 | 16 | 33 | 121-32106 | 6 | 19 |
| WP-0371026-SD | 24 | 15 | 118-72009 | 18 | 5 | 121-13858 | 16 | 32 | 121-32155 | 6 | 18 |
| WP-0451026-SH | 12 | 44 | 118-72009 | 18 | 20 | 121-13908 | 16 | 30 | 121-32205 | 23 | 3 |
| WP-0621016-SD | 12 | 61 | 118-74203 | 34 | 5 | 121-14005 | 18 | 1 | 121-32254 | 23 | 2 |
| WP-0651056-SH | 26 | 31 | 118-74807 | 32 | 7 | 121-14203 | 16 | 22 | 121-32304 | 23 | 8 |
| WP-0751576-SD | 4 | 30 | 118-74807 | 32 | 15 | 121-14302 | 16 | 19 | 121-32403 | 23 | 12 |
| WP-0764016-SP | 6 | 49 | 118-74807 | 33 | 6 | 121-14450 | 16 | 20 | 121-32502 | 23 | 5 |
| WP-0841600-0E | 29 | 20 | 118-74807 | 33 | 12 | 121-14609 | 16 | 14 | 121-38152 | 24 | 12 |
| WP-1102016-SC | 27 | 10 | 118-93609 | 31 | 17 | 121-14708 | 16 | 11 | 121-38301 | 24 | 13 |
| WP-1702600-SO | 28 | 28 | 118-93609 | 37 | 6 | 121-14807 | 16 | 13 | 121-38400 | 24 | 11 |
| WS-0510002-KN | 28 | 25 | 118-93609 | 37 | 12 | 121-14906 | 16 | 17 | 121-45108 | 31 | 18 |
| WS-0822010-KP | 4 | 31 | 118-93609 | 37 | 19 | 121-15002 | 16 | 2 | 121-45108 | 37 | 7 |
| WS-1002560-KR | 27 | 11 | 118-93609 | 38 | 7 | 121-15051 | 16 | 1 | 121-45108 | 37 | 13 |
| WS-1643202-KR | 28 | 2 | 118-93609 | 38 | 15 | 121-15101 | 16 | 3 | 121-45108 | 37 | 20 |
| WZ-0850302-KO | 4 | 24 | 118-98103 | 29 | 6 | 121-15200 | 16 | 4 | 121-45108 | 38 | 8 |
| WZ-0850302-KO | 29 | 21 | 119-57404 | 28 | 19 | 121-15309 | 16 | 8 | 121-45108 | 38 | 16 |
| WZ-2640310-KH | 6 | 41 | 119-57503 | 28 | 8 | 121-18303 | 12 | 25 | 121-48607 | 8 | 30 |

NUMERICAL INDEX OF PARTS

索引

| PART NO 品番 | PAGE 頁 | REF NO | PART NO 品番 | PAGE 頁 | REF NO | PART NO 品番 | PAGE 頁 | REF NO | PART NO 品番 | PAGE 頁 | REF NO |
|---------------|-----------|-----------|---------------|-----------|-----------|---------------|-----------|-----------|---------------|-----------|-----------|
| 121-48706 | 8 | 33 | 122-14607 | 30 | 3 | 122-38200 | 31 | 6 | | | |
| 121-49209 | 36 | 7 | 122-14607 | 30 | 12 | 122-38200 | 31 | 11 | | | |
| 121-49209 | 36 | 11 | 122-14607 | 31 | 5 | 122-38200 | 35 | 6 | | | |
| 121-49209 | 38 | 4 | 122-14607 | 31 | 19 | 122-38200 | 36 | 3 | | | |
| 121-49209 | 38 | 12 | 122-14656 | 14 | 6 | 122-38200 | 36 | 10 | | | |
| 121-80154 | 20 | 1 | 122-14706 | 14 | 35 | 122-38200 | 37 | 4 | | | |
| 121-80253 | 20 | 2 | 122-14755 | 14 | 32 | 122-38200 | 37 | 10 | | | |
| 121-80352 | 32 | 5 | 122-14805 | 14 | 30 | 122-38200 | 37 | 17 | | | |
| 121-80352 | 32 | 13 | 122-14904 | 14 | 61 | 122-38200 | 38 | 5 | | | |
| 121-80550 | 33 | 4 | 122-15000 | 14 | 64 | 122-38200 | 38 | 13 | | | |
| 121-80550 | 33 | 10 | 122-15109 | 6 | 37 | 122-40107 | 14 | 48 | | | |
| 122-00200 | 2 | 1 | 122-15158 | 6 | 33 | 122-40602 | 14 | 65 | | | |
| 122-00309 | 2 | 2 | 122-15208 | 14 | 60 | 122-40701 | 22 | 4 | | | |
| 122-00408 | 2 | 3 | 122-15307 | 14 | 50 | 122-47102 | 14 | 39 | | | |
| 122-00507 | 2 | 5 | 122-15356 | 14 | 49 | 122-47102 | 31 | 16 | | | |
| 122-00655 | 2 | 23 | 122-15406 | 14 | 58 | 122-47102 | 37 | 5 | | | |
| 122-00804 | 2 | 20 | 122-15554 | 14 | 14 | 122-47102 | 37 | 11 | | | |
| 122-00903 | 2 | 18 | 122-15604 | 14 | 56 | 122-47102 | 37 | 18 | | | |
| 122-01109 | 4 | 34 | 122-15703 | 14 | 28 | 122-47102 | 38 | 6 | | | |
| 122-01208 | 4 | 33 | 122-18152 | 26 | 15 | 122-47102 | 38 | 14 | | | |
| 122-03600 | 6 | 11 | 122-19101 | 22 | 1 | 122-47300 | 14 | 38 | | | |
| 122-03709 | 31 | 15 | 122-19200 | 22 | 8 | 122-47508 | 32 | 2 | | | |
| 122-03709 | 37 | 3 | 122-19358 | 22 | 9 | 122-47508 | 32 | 10 | | | |
| 122-03709 | 37 | 9 | 122-19507 | 22 | 7 | 122-60204 | 4 | 41 | | | |
| 122-03709 | 37 | 16 | 122-19606 | 22 | 6 | 135-08700 | 14 | 53 | | | |
| 122-03709 | 38 | 3 | 122-19705 | 22 | 25 | | | | | | |
| 122-03709 | 38 | 11 | 122-19804 | 22 | 3 | | | | | | |
| 122-03816 | 6 | 51 | 122-19903 | 22 | 2 | | | | | | |
| 122-03907 | 6 | 15 | 122-20000 | 22 | 10 | | | | | | |
| 122-04004 | 6 | 2 | 122-20109 | 22 | 5 | | | | | | |
| 122-04103 | 6 | 14 | 122-20208 | 22 | 12 | | | | | | |
| 122-04202 | 6 | 10 | 122-20307 | 22 | 11 | | | | | | |
| 122-06603 | 16 | 41 | 122-20406 | 30 | 13 | | | | | | |
| 122-06702 | 16 | 38 | 122-20505 | 22 | 23 | | | | | | |
| 122-08104 | 10 | 2 | 122-20604 | 22 | 29 | | | | | | |
| 122-08161 | 10 | 1 | 122-21602 | 27 | 1 | | | | | | |
| 122-08203 | 10 | 4 | 122-21750 | 27 | 9 | | | | | | |
| 122-08302 | 10 | 11 | 122-21800 | 27 | 7 | | | | | | |
| 122-08401 | 10 | 12 | 122-24606 | 24 | 2 | | | | | | |
| 122-08500 | 10 | 18 | 122-24705 | 24 | 3 | | | | | | |
| 122-08609 | 10 | 17 | 122-24853 | 24 | 1 | | | | | | |
| 122-08708 | 10 | 19 | 122-25009 | 24 | 6 | | | | | | |
| 122-08807 | 10 | 15 | 122-26155 | 29 | 8 | | | | | | |
| 122-08906 | 10 | 10 | 122-26163 | 29 | 9 | | | | | | |
| 122-09003 | 10 | 24 | 122-26304 | 29 | 10 | | | | | | |
| 122-09052 | 10 | 22 | 122-26403 | 29 | 11 | | | | | | |
| 122-09102 | 12 | 35 | 122-26502 | 29 | 12 | | | | | | |
| 122-09201 | 12 | 36 | 122-29100 | 2 | 8 | | | | | | |
| 122-09300 | 12 | 37 | 122-30165 | 18 | 4 | | | | | | |
| 122-09409 | 12 | 48 | 122-30264 | 18 | 19 | | | | | | |
| 122-09458 | 12 | 46 | 122-30462 | 30 | 4 | | | | | | |
| 122-09508 | 12 | 47 | 122-30462 | 31 | 12 | | | | | | |
| 122-09607 | 12 | 49 | 122-30561 | 34 | 4 | | | | | | |
| 122-09706 | 12 | 43 | 122-32104 | 18 | 12 | | | | | | |
| 122-09805 | 12 | 42 | 122-32104 | 18 | 21 | | | | | | |
| 122-09904 | 12 | 2 | 122-35107 | 12 | 14 | | | | | | |
| 122-09953 | 12 | 1 | 122-35107 | 34 | 2 | | | | | | |
| 122-10001 | 12 | 3 | 122-35107 | 34 | 8 | | | | | | |
| 122-10100 | 6 | 9 | 122-35107 | 35 | 2 | | | | | | |
| 122-10209 | 12 | 11 | 122-35107 | 36 | 5 | | | | | | |
| 122-10308 | 12 | 6 | 122-35206 | 12 | 15 | | | | | | |
| 122-10407 | 12 | 26 | 122-35206 | 30 | 9 | | | | | | |
| 122-10506 | 12 | 24 | 122-35206 | 31 | 3 | | | | | | |
| 122-10605 | 12 | 23 | 122-35206 | 31 | 9 | | | | | | |
| 122-10704 | 12 | 30 | 122-36600 | 12 | 20 | | | | | | |
| 122-10803 | 12 | 31 | 122-36600 | 34 | 3 | | | | | | |
| 122-10902 | 12 | 41 | 122-36600 | 34 | 9 | | | | | | |
| 122-11009 | 12 | 54 | 122-36600 | 35 | 3 | | | | | | |
| 122-11157 | 12 | 64 | 122-36600 | 36 | 6 | | | | | | |
| 122-11306 | 12 | 69 | 122-36709 | 12 | 21 | | | | | | |
| 122-11405 | 12 | 56 | 122-36709 | 30 | 10 | | | | | | |
| 122-11504 | 12 | 71 | 122-36709 | 31 | 4 | | | | | | |
| 122-11603 | 12 | 57 | 122-36709 | 31 | 10 | | | | | | |
| 122-11702 | 10 | 28 | 122-38101 | 12 | 18 | | | | | | |
| 122-11801 | 10 | 27 | 122-38200 | 12 | 19 | | | | | | |
| 122-14607 | 14 | 7 | 122-38200 | 30 | 11 | | | | | | |





WORLDWIDE SALES AND SERVICE

Union Special Corporation maintains sales and service facilities throughout the world. These offices will aid you in the selection of the right sewing equipment for your particular operation. Union Special Corporation representatives and service technicians are factory trained and are able to serve your needs promptly and efficiently. Whatever your location, there is a qualified representative to serve you.

Brussels, Belgium
Charlotte, N.C.
El Paso, TX
Hong Kong, China
Huntley, IL
Leicester, England
Lille, France
Miami, FL
Milan, Italy
Möglingen, Germany
Montreal, Quebec
Osaka, Japan
Santa Fe Springs, CA

Other Representatives throughout
all parts of the world.



Union Special
INDUSTRIAL SEWING EQUIPMENT