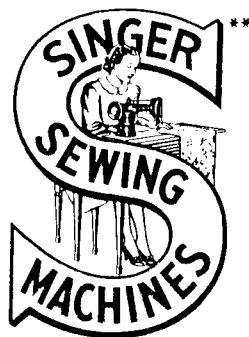


SINGER
99W110

Form 2460w
(346)
Printed in U. S. A.

LIST OF PARTS



SINGER**

MACHINE No. 99w110

THE SINGER MANUFACTURING COMPANY

INSTRUCTIONS FOR OILING

To ensure easy running and prevent unnecessary wear of the parts which are in movable contact, the machine requires oiling and when in continuous use, "TYPE B" or "TYPE D" OIL, sold only by Singer Sewing Machine Company, should be applied at least twice each day to all oil holes marked "OIL", as instructed in Form 2413w.

"TYPE D" OIL is stainless.

INDEX

| | Page |
|-----------------------------------|------|
| Accessories | 34 |
| Buttonhole Cutting Blocks | 40 |
| " " Knives | 41 |
| Driving Equipment | 35 |
| Machine No. 99w110 | 5 |
| Numerical List of Parts | 49 |
| Pattern Wheels | 41 |
| Shaft Pulley | 46 |
| Singer Knife Truing Fixture | 47 |
| Thread Lubricating Cup | 48 |
| " Unwinder | 35 |

INSTRUCTIONS FOR ORDERING

In ordering from this list, use ONLY the PART number in the FIRST column.

The number stamped on a Sewing Machine Part is the number of the Single Part only, except when the part includes Set Screws, Clamping Screws, Studs and Rollers Spun on, Small Wires riveted, or Parts soldered together, etc., which it is necessary to furnish in combination.

Every combination of parts sent out has its specific number which, although not stamped on Parts (except in above case), must be used when ordering the combination.

Each number always indicates the SAME PART in whatever list it appears, or for whatever Machine.

The letters after some of the numbers indicate the style of finish only, as follows.

A-Hardened, Polished, Nickel Plated and Buffed
 AL-Heat Treated, for Toughness
 B-Polished, Nickel Plated and Buffed
 C-Hardened Only
 D-Polished Only
 E-Soft, Not Polished
 F-Hardened and Polished
 H-Blued
 J-Nickel Plated Only
 R-Merlized
 X-Black Oxide, for Iron and Steel
 XC-Hardened and Black Oxide, for Iron or Steel
 Y-Black Nickel Plated Only

These letters MUST BE USED when they appear in the list and AFTER the number, as in the list.

In this series

1 to 1500, 200001 to 201500 and 350001 to 351500 are
 Screw Numbers
 1501 to 1800, 201501 to 201800 and 351501 to 351800 are
 Nut Numbers
 1801 to 2000, 201801 to 202000 and 351801 to 352000 are
 Roller Numbers
 2001 to 50000 and 202001 to 350000 are Numbers of
 Machine Parts

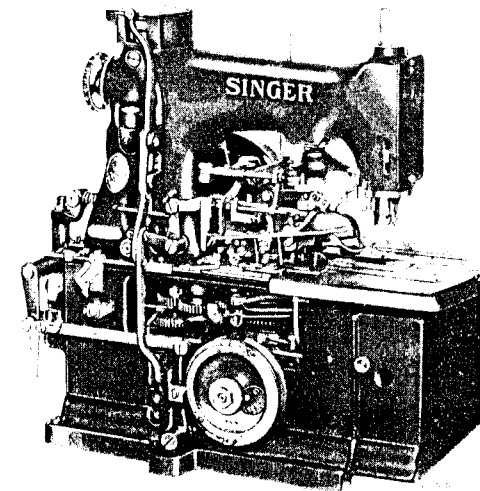
The Figures in the second column refer only to the plate in which the illustration of the part is shown and are NOT TO BE USED in ordering.

Two or more numbers over a cut indicate that the difference between such parts is not visible in an illustration.

Parts marked with an asterisk (*) are furnished only when repairs are made at the factory.

LIST OF PARTS COMPLETE

FOR



MACHINE No. 99w110

Automatic Eyelet End Buttonhole Machine, for Overcoats, Sack Coats, Vests, Trousers, Clothing Generally Long Travel Machine. Sewing Capacity $\frac{5}{8}$ to $1\frac{5}{8}$ in. Cuts Straight or Eyelet End Buttonholes from $\frac{5}{8}$ to $1\frac{9}{16}$ in. long and Taper Bar Buttonholes from $\frac{3}{4}$ to $1\frac{3}{4}$ in. long. Cuts the hole AFTER stitching.

| No. | Plate | Arm | Name |
|---------|-------|-----|----------------------------|
| *256041 | ----- | Arm | |
| 204235 | 16348 | " | Position Pin (2) |
| 200020E | 16348 | " | Screw (4) |
| 232488 | 16348 | " | Shaft |
| 232489 | 16348 | " | Bevel Gear with 453AL |
| 232244 | 16348 | " | Position Pin |
| 453AL | 16348 | " | Set Screw |
| 232002 | 16348 | " | Bushing (back) with 202260 |
| 232490 | 16348 | " | " (front) with 202260 |
| 202260 | 16348 | " | Oil Packing (wick) |
| 200100E | 16348 | " | Screw (4) |

| No. | Plate | Name |
|---------|-------|--|
| 232005 | 16348 | Arm Shaft Hand Wheel with two 200341C |
| 200341C | 16348 | " " " " Set Screw |
| 150D | 16348 | " " Screw |
| 250002 | 16348 | " Side Cover |
| 200110D | 16348 | " " " Screw |
| *256042 | ----- | Bed with 250078,255509 to 255512, two each 127D,40025 and eight 50166E |
| 250009 | 16350 | Bed End Cover |
| 232025 | 16350 | " " " " Catch (2) |
| 232026 | 16350 | " " " " Position Pin (2) |
| 250010 | 16350 | " " " " Releaser (2) |
| 204264 | 16350 | " " " " Stop Pin (2) |
| 200047D | 16350 | " " " " Screw (2) |
| 201531H | 16350 | " " " " Nut (2) |
| 250011 | 16350 | " " " " Support (left) |
| 250012 | 16350 | " " " " (right) |
| 457AL | 16350 | " " " " Set Screw (2) |
| 250013 | 16367 | " Extension |
| 250397 | 16367 | " " Position Pin (2) |
| 154D | 16367 | " " Screw (4) |
| 250014 | 16349 | " Shaft |
| 255521 | 16349 | " " Bevel Gear with two 453AL |
| 232719 | 16349 | " " " " Position Pin (2) |
| 453AL | 16349 | " " " " Set Screw |
| 232030 | 16349 | " " Bushing (back) with 202260 |
| 202260 | 16349 | " " " " Oil Packing |
| | | (wick) |
| 232821 | 16349 | Bed Shaft Bushing (back) Oil Tube (brass) |
| 230795 | 16349 | Bed Shaft Bushing (back) Oil Tube Pin |
| 350455E | 16349 | " " " " Screw (2) |
| 201730E | 16349 | " " " " Nut (2) |
| 250015 | 16349 | " " " " (front) |
| 255527 | 16349 | " " " " Oil Tube (brass) |
| 250451 | 16349 | " " " " Bracket |
| 330D | 16349 | " " " " " " " " |
| | | Screw |
| 232244 | 16349 | Bed Shaft Bushing (front) Position Pin |
| 200100E | 16349 | " " " " Screw (2) |
| 250017 | 16349 | " " Collar with two 1258AL (2) |
| 1258AL | 16349 | " " " " Set Screw |
| 232725 | 16349 | Belt Guard |
| 9D | 16349 | " " Screw |
| 256106 | 17424 | Buttonhole Cutting Block (steel) (1 in. eye or Taper Bar) |
| 350111C | 16351 | Buttonhole Cutting Block Pinch Screw |
| 250468 | 16351 | " " " " " " |
| | | Washer |
| 1281E | 16351 | Buttonhole Cutting Block Stop Screw |
| 256043 | 16356 | " " Carrier Cam with 200364C |
| 40025 | 16356 | Buttonhole Cutting Carrier Cam Position Pin |
| 200364C | 16356 | Buttonhole Cutting Carrier Cam Set Screw |

| No. | Plate | Name |
|---------|-------|--|
| 256044 | 16356 | Buttonhole Cutting Carrier Lever with 990D,201524E,550377C and 351860 |
| 50031C | 16356 | Buttonhole Cutting Carrier Lever Adjusting Screw Stud |
| 201711C | 16356 | Buttonhole Cutting Carrier Lever Adjusting Screw Stud Nut |
| 39541 | 16356 | Buttonhole Cutting Carrier Lever Adjusting Screw Stud Washer |
| 250022 | 16356 | Buttonhole Cutting Carrier Lever Adjusting Screw Stud Sleeve |
| 351860 | 16356 | Buttonhole Cutting Carrier Lever Roller |
| 990D | 16356 | Buttonhole Cutting Carrier Lever Roller Cap Screw |
| 350377C | 16356 | Buttonhole Cutting Carrier Lever Roller Screw Stud |
| 201524E | 16356 | Buttonhole Cutting Carrier Lever Roller Screw Stud Nut |
| 232038 | 16356 | Buttonhole Cutting Carrier Lever Slide Block |
| 250023 | 17426 | Buttonhole Cutting Disengaging Lever |
| 57C | 17426 | " " " " |
| | | Hinge Screw |
| 203213 | 17426 | Buttonhole Cutting Disengaging Lever Spring |
| 25039C | 17426 | Buttonhole Cutting Disengaging Push Rod |
| 2075 | 17426 | Buttonhole Cutting Disengaging Push Rod Pin |
| 255171 | 16406 | Buttonhole Cutting Driving Wheel with 446E |
| 255544 | 16406 | Buttonhole Cutting Driving Wheel Lock |
| 232044 | 16406 | " " " " " " |
| | | Spring |
| 200051E | 16406 | Buttonhole Cutting Driving Wheel Lock Spring Screw |
| 228026 | 16406 | Buttonhole Cutting Driving Wheel Lock Spring Screw Washer |
| 255545 | 16406 | Buttonhole Cutting Driving Wheel Lock Stop Plate |
| 162D | 16406 | Buttonhole Cutting Driving Wheel Lock Stop Plate Screw (2) |
| 255546 | 16406 | Buttonhole Cutting Driving Wheel Lock Stop Plate Screw Lock Washer (2) |
| 232150 | 16406 | Buttonhole Cutting Driving Wheel Position Pin |
| 446E | 16406 | Buttonhole Cutting Driving Wheel Set Screw |
| 256121 | 17424 | Buttonhole Cutting Knife (.126 x .200 eye) |
| 250027 | 17424 | Buttonhole Cutting Knife Adjusting Block |
| 1100D | 17424 | Buttonhole Cutting Knife Adjusting Block Screw |

| No. | Plate | Name |
|---------|-------|---|
| 256219 | 17424 | Buttonhole Cutting Knife Base Plate |
| 1485D | 17424 | " " " " " Ad-justing Screw (left) |
| 350459E | 17424 | Buttonhole Cutting Knife Base Plate |
| 1454E | 17424 | Adjusting Screw (right) |
| 250475 | 17424 | Buttonhole Cutting Knife Base Plate |
| 350114C | 17424 | Screw |
| 250030 | 17424 | Buttonhole Cutting Knife Clamping Lever |
| 256218 | 16351 | " " " " " Hinge Screw |
| 250032 | 16405 | Buttonhole Cutting Knife Clamping Plate |
| 40025 | 16405 | " " " " " Lever (lower) with 251269 and 251270 |
| 453AL | 16405 | Buttonhole Cutting Lever (lower) Cam with 453AL |
| 250033 | 16351 | Buttonhole Cutting Lever (lower) Cam Position Pin |
| 256222 | 16405 | Buttonhole Cutting Lever (lower) Cam Set Screw |
| 40025 | 16405 | Buttonhole Cutting Lever (upper) with 232482, 250468, 350111C and two 232483 |
| 453AL | 16405 | Buttonhole Cutting Lever (upper) Cam with 453AL |
| 40025 | 16405 | Buttonhole Cutting Lever (upper) Cam Position Pin |
| 453AL | 16405 | Buttonhole Cutting Lever (upper) Cam Set Screw |
| *250464 | 16351 | Buttonhole Cutting Lever Bracket with 200089D |
| *250465 | 16351 | Buttonhole Cutting Lever Bracket Arm |
| 50027E | 16351 | " " " " " Screw |
| 250530 | 16351 | Buttonhole Cutting Lever Bracket complete, Nos. 250464, 250465 and two 50027E |
| 255152 | 16351 | Buttonhole Cutting Lever Bracket Gib (left) |
| 250037 | 16351 | Buttonhole Cutting Lever Bracket Gib (right) |
| 232380 | 16351 | Buttonhole Cutting Lever Bracket Gib Adjusting Plate (2) |
| 219E | 16351 | Buttonhole Cutting Lever Bracket Gib Adjusting Plate Screw (4) |
| 206482 | 16351 | Buttonhole Cutting Lever Bracket Gib Adjusting Plate Screw Washer (4) |
| 350304E | 16351 | Buttonhole Cutting Lever Bracket Gib (left) Screw (3) |
| 201176E | 16351 | Buttonhole Cutting Lever Bracket Gib (right) Screw (3) |
| 250038 | 16351 | Buttonhole Cutting Lever Hinge Stud |
| 200089D | 16351 | " " " " " Set Screw |
| 251268 | 16351 | Buttonhole Cutting Lever Spring |

| No. | Plate | Name |
|----------|-------|--|
| 251269 | 16351 | Buttonhole Cutting Lever Spring Bracket (lower) |
| 251270 | 16351 | Buttonhole Cutting Lever Spring Bracket (lower) Pin |
| 232482 | 16351 | Buttonhole Cutting Lever Spring Bracket (upper) |
| 232483 | 16351 | Buttonhole Cutting Lever Spring Bracket (upper) Pin |
| 250039 | 17424 | Buttonhole Cutting Pressure Wedge with 232056 |
| *201155D | 17424 | Buttonhole Cutting Pressure Wedge Adjusting Screw |
| 250538 | 17424 | Buttonhole Cutting Pressure Wedge Adjusting Screw 201155B, with 2273, 201672E, 232054 and 232055 |
| 232054 | 17424 | Buttonhole Cutting Pressure Wedge Adjusting Screw Collar |
| 232055 | 17424 | Buttonhole Cutting Pressure Wedge Adjusting Screw Collar Position Pin |
| 232466 | 17424 | Buttonhole Cutting Pressure Wedge Adjusting Screw Lock Spring |
| 662D | 17424 | Buttonhole Cutting Pressure Wedge Adjusting Screw Lock Spring Screw |
| 201672E | 17424 | Buttonhole Cutting Pressure Wedge Adjusting Screw Nut |
| 2273 | 17424 | Buttonhole Cutting Pressure Wedge Adjusting Screw Nut Pin |
| 232056 | 17424 | Buttonhole Cutting Pressure Wedge Boss |
| 232057 | 17424 | " " " " " Post with 662D and 232466 |
| 200122H | 17424 | Buttonhole Cutting Pressure Wedge Post Screw |
| 256182 | 16405 | Buttonhole Cutting Shaft |
| 255131 | 16405 | " " " " " Hand Crank with 350289C |
| 350290H | 16405 | Buttonhole Cutting Shaft Hand Crank Cap Screw |
| 350289C | 16405 | Buttonhole Cutting Shaft Hand Crank Position Screw |
| 255132 | 16405 | Buttonhole Cutting Shaft Hand Crank Washer |
| 256210 | 16405 | Buttonhole Cutting Shaft Oil Packing (wick) |
| 256220 | 16405 | Buttonhole Cutting Shaft Pulley (loose) with 255021, 255144, 255158, 255168, two each 172D, 183C, 235404, four each 1671E, 210750, 255546 and 256221 |
| 256002 | 16405 | Buttonhole Cutting Shaft Pulley Bushing |
| 255168 | 16405 | " " " " " Oil Cup |
| 256221 | 16405 | " " " " " Stud |
| 1671E | 16405 | " " " " " Nut |
| 255546 | 16405 | " " " " " Lock Washer |
| 256212 | 16405 | Buttonhole Cutting Shaft Support Bracket |

| No. | Plate | Name |
|----------|-------|---|
| 250397 | 16405 | Buttonhole Cutting Shaft Support Bracket Position Pin (2) |
| 145E | 16405 | Buttonhole Cutting Shaft Support Bracket Screw (2) |
| 250042 | 16406 | Buttonhole Cutting Starting Lever with 201085C |
| 232718 | 16406 | Buttonhole Cutting Starting Lever Hinge Stud |
| 200530E | 16406 | Buttonhole Cutting Starting Lever Hinge Stud Set Screw |
| 232064 | 16406 | Buttonhole Cutting Starting Lever Latch |
| 350148D | 16406 | Buttonhole Cutting Starting Lever Latch Hinge Screw |
| 201531E | 16406 | Buttonhole Cutting Starting Lever Latch Hinge Screw Nut |
| 232065 | 16406 | Buttonhole Cutting Starting Lever Latch Spring |
| 201218E | 16406 | Buttonhole Cutting Starting Lever Latch Spring Screw Stud (3) |
| 200E | 16406 | Buttonhole Cutting Starting Lever Latch Stop Screw |
| 250043 | 16406 | Buttonhole Cutting Starting Lever Plate |
| 200577AL | 16406 | Buttonhole Cutting Starting Lever Plate Screw (2) |
| 201085C | 16406 | Buttonhole Cutting Starting Lever Restoring Screw Stud |
| 250456 | 17426 | Buttonhole Cutting Starting Lever Safety Plate |
| 208AL | 17426 | Buttonhole Cutting Starting Lever Safety Plate Screw (2) |
| 250044 | 16406 | Buttonhole Cutting Starting Lever Spring |
| 350105E | 16406 | Buttonhole Cutting Starting Lever Spring Screw Stud |
| 250045 | 17426 | Buttonhole Cutting Trip Lever with 460AL |
| 250046 | 17426 | Buttonhole Cutting Trip Lever Bracket |
| 232154 | 17426 | " " " " " " |
| 161D | 17426 | Buttonhole Cutting Trip Lever Bracket Position Pin (2) |
| 2049 | 17426 | Buttonhole Cutting Trip Lever Bracket Screw (2) |
| 250047 | 17426 | Buttonhole Cutting Trip Lever Safety Lever with 237F |
| 232343 | 17426 | Buttonhole Cutting Trip Lever Safety Lever Position Pin |
| 237F | 17426 | Buttonhole Cutting Trip Lever Safety Lever Set Screw |
| 460AL | 17426 | Buttonhole Cutting Trip Lever Set Screw |
| 250048 | 17426 | " " " " Shaft |
| 250049 | 17426 | " " " " Spring |
| 201432C | 17426 | " " " Screw Stud |

| No. | Plate | Name |
|---------|-------|--|
| 1521E | 17426 | Buttonhole Cutting Trip Screw Stud Nut |
| 255062 | 17426 | " " " " " Shim (.010 in. thick) |
| 255063 | 17426 | Buttonhole Cutting Trip Screw Stud Shim (.025 in. thick) |
| *256004 | ----- | Driving Wheel (loose) |
| 256206 | 16349 | " " 256004 with 250598 and 256091 |
| 255559 | 16349 | Driving Wheel with 200383C |
| 256007 | 16349 | " " Clutch Stud (made in .211, .212, .213, .214 and .215 in. diam., plate size required) |
| 255560 | 16349 | Driving Wheel Clutch Stud Retainer (back) |
| 255561 | 16349 | Driving Wheel Clutch Stud Retainer (front) |
| 145E | 16349 | Driving Wheel Clutch Stud Retainer Screw |
| 1528E | 16349 | Driving Wheel Clutch Stud Retainer Screw Nut |
| 8873 | 16349 | Driving Wheel Position Pin |
| 200383C | 16349 | " " Set Screw |
| 256274 | 16349 | " " Stop Cam with 145E, 1528E, 255560 and 255561 |
| 255565 | 16349 | Driving Wheel Stop Cam Oil Pad (Set) |
| 251075 | 16349 | " " " " Position Collar with 1036AL |
| 1036AL | 16349 | Driving Wheel Stop Cam Position Collar Set Screw |
| 250417 | 16349 | Driving Wheel Stop Cam Spring |
| 232570 | 16348 | Face Plate |
| 641D | 16348 | " " Screw (2) |
| 232521 | 16413 | Feed Adjusting Gear |
| 250052 | 16413 | " " " " Bracket |
| 250053 | 16413 | " " " " Clamping Post |
| 690D | 16413 | " " " " " " Screw (2) |
| 350113C | 16413 | Feed Adjusting Gear Bracket Clamping Screw |
| 250473 | 16413 | Feed Adjusting Gear Bracket Clamping Screw Washer |
| 201428C | 16413 | Feed Adjusting Gear Screw Stud |
| 1518J | 16413 | " " " " " " Nut |
| 250054 | 16414 | " Driving Gear (intermediate) with 457AL |
| 232721 | 16414 | Feed Driving Gear (intermediate) Position Pin |
| 457AL | 16414 | Feed Driving Gear (intermediate) Set Screw |
| 250055 | 16414 | Feed Driving Gear (intermediate) Shaft |
| 256099 | 16413 | " Wheel with three 232382 |
| 250057 | 16413 | " " Driving Pawl (3) |
| 201385C | 16413 | " " " " Hinge Screw (3) |
| 250058 | 16413 | " " " " Spring (3) |
| 232382 | 16413 | " " " " " Pin |

| No. | Plate | Name |
|---------|-------|---|
| 1449H | 16413 | Feed Wheel Driving Pawl Spring Screw (3) |
| 350071E | 16413 | Feed Wheel Friction Ring Adjusting Screw |
| 201522E | 16413 | Feed Wheel Friction Ring Adjusting Screw Lock Nut |
| 232131 | 16413 | Feed Wheel Friction Ring Adjusting Screw Washer (2) |
| 250059 | 17426 | Feed Wheel Friction Ring Bracket |
| 200070C | 17426 | " " " " " Screw (2) |
| 250060 | 16413 | " " " " " Section (long) |
| 250061 | 16413 | " " " " " (short) |
| 232135 | 16413 | " " " " " Spring |
| 256045 | 16413 | " " " " " Ring |
| 256046 | 16413 | " " " " " Gib (3) |
| 209F | 16413 | " " " " " Screw (6) |
| 201362C | 16413 | " " " " " Screw Stud |
| 250418 | 17427 | Finger Starting Lever with 250435 and 250436 |
| 250419 | 17427 | Finger Starting Lever Hinge Block |
| 350080D | 17427 | " " " " " Hinge Screw |
| 250420 | 17426 | Finger Starting Lever (intermediate) |
| 255080 | 17426 | " " " " " Bracket with 208AL and 391C |
| 208AL | 17426 | Finger Starting Lever (intermediate) Bracket Pinch Screw |
| 158E | 17426 | Finger Starting Lever (intermediate) Bracket Screw |
| 72D | 17426 | Finger Starting Lever (intermediate) Hinge Screw |
| 646F | 17426 | Finger Starting Lever (intermediate) Operating Stud |
| 251292 | 17426 | Finger Starting Lever (intermediate) Operating Stud Collar with 646F |
| 2273 | 17426 | Finger Starting Lever (intermediate) Operating Stud Collar Position Pin |
| 200097C | 17427 | Finger Starting Lever Screw |
| 228026 | 17427 | " " " " " Washer |
| 251518 | 17427 | " " " " " Spring |
| 250435 | 17427 | " " " " " Stud (back) |
| 250436 | 17427 | " " " " " (front) |
| 232539 | 16414 | Intermittent Feed Driving Wheel with two 465C |
| *256047 | 16414 | Intermittent Feed Driving Wheel Bracket |
| 232244 | 16414 | Intermittent Feed Driving Wheel Bracket Position Pin (2) |
| 129E | 16414 | Intermittent Feed Driving Wheel Bracket Screw (4) |
| 250589 | 16414 | Intermittent Feed Driving Wheel Driving Stud |
| 204648 | 16414 | Intermittent Feed Driving Wheel Driving Stud Position Pin |
| 232541 | 16414 | Intermittent Feed Driving Wheel Position Pin |

| No. | Plate | Name |
|---------|-------|---|
| 465C | 16414 | Intermittent Feed Driving Wheel Set Screw |
| 232542 | 16414 | Intermittent Feed Driving Wheel Shaft |
| 250063 | 16414 | " " " " " Gear with 465C |
| 232721 | 16414 | Intermittent Feed Driving Wheel Shaft Gear Position Pin |
| 465C | 16414 | Intermittent Feed Driving Wheel Shaft Gear Set Screw |
| 252615 | 16459 | Loop Retainer (left) |
| 256049 | 16459 | " " " " " Carrier |
| 256050 | 16459 | " " " " " (right) |
| 256051 | 16459 | " " " " " Carrier |
| 256068 | 16459 | " " " " " Adjusting Block (2) |
| 236037 | 16349 | " " " " " Gum with 447E |
| 40025 | 16349 | " " " " " Position Pin |
| 447E | 16349 | " " " " " Set Screw |
| 256070 | 16459 | " " " " " Carrier Link (2) |
| 201431C | 16459 | " " " " " " Screw (4) |
| 250071 | 16459 | " " " " " Shaft |
| 250072 | 16459 | " " " " " Collar |
| 735E | 16459 | " " " " " Set Screw |
| 256008 | 16459 | " " " " " Driving Bar |
| 201766C | 16459 | " " " " " Adjusting Nut (3) |
| 256009 | 16459 | Loop Retainer Driving Bar Adjusting Nut Washer (2) |
| 201728C | 16459 | Loop Retainer Driving Bar Lock Nut |
| 350388H | 16459 | " " " " " Screw (2) |
| 250491 | 16459 | " " " " " Washer (2) |
| 250074 | 16459 | " " " " " Shim (.005 in. thick) |
| 250449 | 16459 | " " " " " (.010 in. thick) |
| 250450 | 16459 | " " " " " (.020 in. thick) |
| 250537 | 16459 | " " " " " (.030 in. thick) |
| 256010 | 16349 | " " " " " Slide with 201943 |
| 250076 | 16349 | " " " " " Gib (lower) (2) |
| 250077 | 16349 | " " " " " (upper) (2) |
| 190D | 16349 | " " " " " " Screw (6) |
| *250078 | 16349 | " " " " " Guide Extension |
| 40025 | 16349 | " " " " " " Position Pin (2) |
| 127D | 16349 | Loop Retainer Slide Guide Extension Screw (2) |
| 201896 | 16349 | Loop Retainer Slide Roller |
| 201943 | 16349 | " " " " " 201896 with 250429 |
| 250429 | 16349 | Loop Retainer Slide Roller Stud |
| 252472 | 16459 | Looper (non-threaded) |
| 252507 | 16459 | " (threaded) |
| 256053 | 16459 | " Bracket with 735E |
| 201722C | 16459 | " " " " " Adjusting Nut |
| 201722C | 16459 | " " " " " Locking Nut |
| 23421 | 16459 | " " " " " Dogging Hole Plug (leather) |

| No. | Plate | Name |
|---------|-------|--|
| 250082 | 16460 | Looper Bracket Frame Chip Guard |
| 401E | 16460 | " " " " " Screw |
| | | (3) |
| 232555 | 16459 | Looper Bracket Rotating Gear with 906E |
| 250084 | 16459 | " " " " " Position Pin |
| 906E | 16459 | Looper Bracket Rotating Gear Set Screw |
| 250085 | 16459 | " " Carrier |
| 201433C | 16459 | " " Hinge Screw |
| 250086 | 16459 | " " Link |
| 201099C | 16459 | " " " Hinge Screw (2) |
| 256011 | 16459 | " " Driving Bar |
| 201727C | 16459 | " " " Adjusting Nut (4) |
| 256012 | 16459 | " " " " " Wash-er (2) |
| 256013 | 16460 | Looper Driving Connection with 1120C |
| 1120C | 16460 | " " " " " Set Screw |
| 250089 | 16460 | " " " " " Slide Rod |
| 250090 | 16460 | " " " " " Bush- ing (lower) |
| 250091 | 16460 | Looper Driving Connection Slide Rod Bushing (upper) |
| 256015 | 16460 | Looper Driving Crank |
| 256016 | 16460 | " " " " " Bushing |
| 200089E | 16460 | " " " " " Screw (*) |
| 250094 | 16460 | " " " " " Gear with 735E |
| 250095 | 16460 | " " " " " Position Pin |
| 735E | 16460 | " " " " " Set Screw |
| 256017 | 16460 | " " " " " Link |
| 199C | 16460 | " " " " " Cap Screw |
| 350278C | 16460 | " " " " " Hinge Screw |
| 250097 | 16460 | " " " " " Disc |
| 256014 | 16460 | " " " " " Bearing |
| 51311E | 16460 | " " " " " Screw (5) |
| 350365C | 16460 | " " " " " Cap Screw |
| *250098 | 16460 | " " " " " Gear |
| 176D | 16460 | " " " " " Screw (3) |
| 201898 | 16349 | " " " " " Roller |
| 201953 | 16349 | " " " " " 201898 with 201144E and 250099 (2) |
| 201144E | 16349 | Looper Driving Roller Cap Screw |
| 250099 | 16349 | " " " " " Stud |
| *256018 | 16460 | " " Frame |
| 250462 | 16460 | " " " Chip Guard |
| 232866 | 16460 | " " " Position Pin (2) |
| 201082E | 16460 | " " " Screw (3) |
| 190D | 16459 | " " " Screw (2) |
| 250101 | 16459 | " " " Washer (2) |
| 232270 | 17428 | " " Thread and Cord Clamping Spring (long) |
| 232271 | 17428 | Looper Thread and Cord Clamping Spring (short) |
| 200186B | 17428 | Looper Thread and Cord Clamping Spring Screw |
| 232272 | 17428 | Looper Thread and Cord Cutter |

| No. | Plate | Name |
|---------|-------|---|
| 200186B | 17428 | Looper Thread and Cord Cutter Screw |
| 256054 | 16460 | " " " " " Controller |
| 256055 | 16460 | " " " " " Bracket (adjust- able) |
| 1423F | 16460 | Looper Thread Controller Bracket (ad- justable) Screw (2) |
| 217D | 16460 | Looper Thread Controller Screw (2) |
| 18859 | 16460 | " " " " " Guide |
| 3201P | 16460 | " " " " " Tension Disc (2) |
| 256213 | 16415 | " " " " " Releaser |
| 253531 | 16415 | " " " " " " Lever |
| 350224E | 16415 | " " " " " " " Hinge Screw |
| 253532 | 16415 | Looper Thread Tension Releaser Lever Rod |
| 253535 | 16415 | Looper Thread Tension Releaser Lever Rod Collar with 237F (2) |
| 237F | 16415 | Looper Thread Tension Releaser Lever Rod Collar Set Screw |
| 251170 | 16415 | Looper Thread Tension Releaser Lever Spring |
| 1550J | 16415 | Looper Thread Tension Releaser Nut |
| 7071 | 16415 | " " " " " " " Washer |
| 253534 | 16365 | Looper Thread Tension Releaser Operat- ing Cam Block with 219F |
| 219F | 16365 | Looper Thread Tension Releaser Operat- ing Cam Block Set Screw |
| 253533 | 16415 | Looper Thread Tension Releaser Operat- ing Lever with 237F |
| 237F | 16415 | Looper Thread Tension Releaser Operat- ing Lever Set Screw |
| 252515 | 16460 | Looper Thread Tension Spring |
| 1045C | 16460 | " " " " " Stud |
| 190D | 16460 | " " " " " " Set Screw |
| 1560C | 16460 | " " " " " Thumb Nut |
| 232516 | 16445 | " " " " " Tube (brass) |
| 251622 | 16445 | " " " " " Bracket (2) |
| 190D | 16445 | " " " " " " Screw (2) |
| 256056 | 16459 | Lower Cord Leader |
| 217E | 16459 | " " " " " Screw |
| 253613 | 16459 | " " " " " Tension Spring |
| 590E | 16459 | " " " " " " " Screw (2) |
| 32012 | 16445 | Lower Cord Tension Disc (2) |
| 232515 | 16445 | " " " " " Spring |
| 637C | 16445 | " " " " " Stud |
| 1560C | 16445 | " " " " " Thumb Nut |
| 232516 | 16445 | " " " " " Tube (brass) |
| 250105 | 16348 | Needle Bar Driving Crank with 200394C and two 200382C |
| 40025 | 16348 | Needle Bar Driving Crank Position Pin |
| 200394C | 16348 | " " " " " Set Screw |
| 256183 | 16446 | " " Driving Bar with 620C |
| 232177 | 16446 | " " " " " Bushing |
| 232176 | 16446 | " " " " " Collar with 200083E |
| 200083E | 16446 | " " " " " " Pinch Screw |

| No. | Plate | Name |
|---------|-------|---|
| 232178 | 16348 | Needle Driving Bar Link |
| 232709 | 16348 | " " " " Hinge Stud with 222598 |
| 222598 | 16348 | Needle Driving Bar Link Hinge Stud Oil Packing (wick) |
| 200382C | 16348 | Needle Driving Bar Link Hinge Stud Set Screw |
| 250108 | 16348 | Needle Driving Bar Swivel with 248821 |
| 248821 | 16348 | " " " " Oil Packing (wick) |
| 256057 | 16459 | Needle Guard |
| 230E | 16459 | " " Screw |
| 230E | 16459 | " " " (support end) |
| 256180 | 16446 | " Holder with 903F |
| 201482D | 16446 | " " Gauge Plate Adjusting Screw |
| 250112 | 16446 | " " " " Block |
| 201734C | 16446 | " " " " " Adjusting Nut |
| 256227 | 16446 | Needle Holder Gauge Plate Block Bush- ing |
| 181D | 16446 | Needle Holder Gauge Plate Block Bush- ing Screw (3) |
| 256059 | 16446 | Needle Holder Gauge Plate Body |
| 256060 | 16446 | " " " " Center Plate (for narrow bight) |
| 350379D | 16446 | Needle Holder Gauge Plate Clamping Screw |
| 1550J | 16446 | Needle Holder Gauge Plate Clamping Screw Nut |
| 200118F | 16446 | Needle Holder Gauge Plate Screw (2) |
| 256061 | 16446 | " " " " Shim |
| 256064 | 16446 | " " " " Side Plate (left) |
| 256062 | 16446 | Needle Holder Gauge Plate Side Plate (right) |
| 256063 | 16446 | Needle Holder Gauge Plate (for narrow bight) complete, Nos. 256059, 256060, 256062, 256064, two each 1550J, 256061 and 350379D |
| 208AL | 16446 | Needle Holder Screw (2) |
| 256181 | 16446 | " " Slide |
| 256068 | 16446 | " " " Lever with 256069 and 351861 |
| 350147C | 16446 | Needle Holder Slide Lever Hinge Screw |
| 351861 | 16446 | " " " " Roller |
| 256069 | 16446 | " " " " Stud |
| 256203 | 16446 | " " " " Stud |
| 350416E | 16446 | " " " " " Screw |
| 256204 | 16446 | " " " " " " Washer |
| 256184 | 16446 | Needle Holder Slide Stud |
| 620C | 16446 | " " " " Set Screw |
| 256228 | 16446 | " Rotating Gear |
| 250118 | 16446 | " " " " Key |

| No. | Plate | Name |
|---------|-------|--|
| 906F | 16446 | Needle Set Screw |
| 250119 | 16410 | " Thread Guide |
| 232792 | 16410 | " " " Loader |
| 1664E | 16410 | " " " Nut |
| 256200 | 16410 | " " Pull-off (adjustable) |
| 1550J | 16410 | " " " " Lock Nut |
| 256070 | 16410 | " " Take-up with 201374E and 201937 |
| 256072 | 16410 | Needle Thread Take-up Bracket |
| 256073 | 16410 | " " " " Cover |
| 1423F | 16410 | " " " " " Screw (4) |
| 250399 | 16410 | Needle Thread Take-up Bracket Position Pin (2) |
| 161D | 16410 | Needle Thread Take-up Bracket Screw (3) |
| 256074 | 16410 | " " " " Cam with two 457AL |
| 232721 | 16410 | " " " " Position Pin |
| 457AL | 16410 | " " " " Set Screw |
| 256075 | 16410 | " " " " Shaft |
| 232673 | 16410 | " " " " " Gear with two 448AL |
| 40025 | 16410 | Needle Thread Take-up Cam Shaft Gear Position Pin |
| 448AL | 16410 | Needle Thread Take-up Cam Shaft Gear Set Screw |
| 350268C | 16410 | Needle Thread Take-up Hinge Screw |
| 201873 | 16410 | " " " " Roller |
| 201937 | 16410 | " " " " " 201873 with 201144E and 232686 |
| 201144E | 16410 | Needle Thread Take-up Roller Cap Screw |
| 232686 | 16410 | " " " " " Stud |
| 201374E | 16410 | " " " " " " Cap Screw |
| 256071 | 16410 | Needle Thread Take-up Thread Guide |
| 1423F | 16410 | " " " " " " Screw (2) |
| 32012 | 16410 | Needle Thread Tension Disc (2) |
| 991C | 16464 | " " " " Releasing Adjust- ing Screw |
| 1550J | 16464 | Needle Thread Tension Releasing Ad- justing Screw Nut |
| 256076 | 16410 | Needle Thread Tension Releasing Arm |
| 974F | 16410 | " " " " " " Hinge Screw |
| 256189 | 16464 | Needle Thread Tension Releasing Block with 200E |
| 200E | 16464 | Needle Thread Tension Releasing Block Set Screw |
| 32572 | 16410 | Needle Thread Tension Releasing Disc |
| 256215 | 16464 | " " " " " Lever |
| 255010 | 16464 | " " " " " " Brack- et |
| 200346C | 16464 | Needle Thread Tension Releasing Lever Bracket Adjusting Screw |
| 145E | 16464 | Needle Thread Tension Releasing Lever Bracket Screw (lower) |

| No. | Plate | Name |
|---------|-------|--|
| 200062H | 16464 | Needle Thread Tension Releasing Lever Bracket Screw (upper) |
| 256216 | 16464 | Needle Thread Tension Releasing Lever Extension |
| 161D | 16464 | Needle Thread Tension Releasing Lever Extension Adjusting Screw |
| 226163 | 16464 | Needle Thread Tension Releasing Lever Extension Adjusting Screw Washer |
| 176D | 16464 | Needle Thread Tension Releasing Lever Extension Screw |
| 35D | 16464 | Needle Thread Tension Releasing Lever Hinge Screw |
| 255011 | 16464 | Needle Thread Tension Releasing Lever Spring |
| 39635 | 16410 | Needle Thread Tension Releasing Pin |
| 256190 | 16464 | " " " " Rod |
| 256191 | 16464 | " " " " " " |
| 190D | 16464 | Needle Thread Tension Releasing Rod Bracket Screw (2) |
| 256020 | 16464 | Needle Thread Tension Releasing Rod Plate |
| 792D | 16464 | Needle Thread Tension Releasing Rod Plate Screw (2) |
| 20BAL | 16464 | Needle Thread Tension Releasing Rod Screw |
| 256185 | 16410 | Needle Thread Tension Spring |
| 350399C | 16410 | " " " Stud |
| 1560C | 16410 | " " " Thumb Nut |
| 250140 | 16348 | " Vibrating Adjusting Link |
| 741C | 16348 | " " " " " Hinge Screw |
| 350076C | 16348 | Needle Vibrating Adjusting Stud |
| 1671C | 16348 | " " " " " Nut |
| 39532 | 16348 | " " " " " Sleeve |
| 255126 | 16348 | " " Bell Crank |
| 250142 | 16348 | " " " " " Connection |
| *38444 | ----- | " " " " " End Bearing (back) |
| 38446 | 16348 | Needle Vibrating Bell Crank Connection End Bearing 38444 with 42524, 50016C and two 175E |
| 50016C | 16348 | Needle Vibrating Bell Crank Connection End Bearing (back) Ball Screw Stud |
| 1636E | 16348 | Needle Vibrating Bell Crank Connection End Bearing (back) Ball Screw Stud Nut |
| *42524 | ----- | Needle Vibrating Bell Crank Connection End Bearing (back) Cap |
| 175E | 16348 | Needle Vibrating Bell Crank Connection End Bearing (back) Cap Screw |
| 1698C | 16348 | Needle Vibrating Bell Crank Connection End Bearing (back) Check Nut |
| *38443 | ----- | Needle Vibrating Bell Crank Connection End Bearing (front) |

| No. | Plate | Name |
|---------|-------|---|
| 250143 | 16348 | Needle Vibrating Bell Crank Connection End Bearing 38443 with 42525, 201449C and two 175E |
| 201449C | 16348 | Needle Vibrating Bell Crank Connection End Bearing (front) Ball Screw |
| *42525 | ----- | Needle Vibrating Bell Crank Connection End Bearing (front) Cap |
| 175E | 16348 | Needle Vibrating Bell Crank Connection End Bearing (front) Cap Screw |
| 1697C | 16348 | Needle Vibrating Bell Crank Connection End Bearing (front) Check Nut |
| 350282C | 16348 | Needle Vibrating Bell Crank Hinge Screw |
| 256202 | 16414 | Needle Vibrating Lever with 202423 |
| 256209 | 16414 | " " " Hinge Stud |
| 443C | 16414 | " " " " " Set Screw |
| 202423 | 16414 | Needle Vibrating Lever Oil Packing (wick) |
| 256178 | 16446 | Needle Vibrating Ring with 462AL |
| 232421 | 16446 | " " " Guide Stud |
| 200083E | 16446 | " " " " " Set Screw |
| 232443 | 16446 | Needle Vibrating Ring Position Pin |
| 462AL | 16446 | " " " " " Set Screw |
| 256179 | 16446 | " " " Rod |
| 250146 | 16446 | " " " " Guide with 1230E |
| 232443 | 16446 | " " " " Position Pin |
| 1230E | 16446 | " " " " Set Screw |
| 256080 | 16446 | " " " Switch |
| 200308D | 16446 | " " " Hinge Screw |
| 256126 | 17402 | Pattern Wheel (adjustable) with 256205 and two 205D, for buttonholes from 7/8 to 1-1/8 in. (large and medium eye) |
| 201668E | 16446 | Pattern Wheel Clamping Nut |
| 256205 | 17402 | " " " Position Plate |
| 205D | 17402 | " " " " " Screw |
| 250148 | 16446 | " " " Stud |
| 250372 | 17402 | " " " Rapid Feed Trip Point |
| 203E | 17402 | " " " " " Screw |
| 251494 | 17402 | " " " Ring (adjustable) |
| 251426 | 17402 | " " " 251494 with 252662, 252663, two each 211E and 250444 |
| 252662 | 17402 | Pattern Wheel Ring Adjusting Segment (curved rise) |
| 252663 | 17402 | Pattern Wheel Ring Adjusting Segment (straight drop) |
| 211E | 17402 | Pattern Wheel Ring Adjusting Segment Screw |
| 250444 | 17402 | Pattern Wheel Ring Adjusting Segment Screw Washer |
| 391D | 17402 | Pattern Wheel Ring Screw |

| No. | Plate | Name |
|---------|-------|---|
| 256127 | 17402 | Pattern Wheel, (adjustable), for button-holes from 7/8 to 1-1/8 in. (large and medium eye) complete, Nos. 2561426, 256126, two each 203E, 250372 and three 391D |
| 251298 | 16445 | Pattern Wheel Shaft with 250148 |
| 250150 | 16445 | " " " Bevel Gear with 168D |
| 40025 | 16445 | " " " " " Position Pin |
| 168D | 16445 | Pattern Wheel Shaft Bevel Gear Set Screw |
| 250151 | 16445 | Pattern Wheel Shaft Bushing (left) |
| 145E | 16445 | " " " " " " Screw (2) |
| 250152 | 16445 | Pattern Wheel Shaft Bushing (right) |
| 647E | 16445 | " " " " " " Screw (2) |
| 232600 | 16445 | Pattern Wheel Shaft Collar with two 453AL |
| 453AL | 16445 | Pattern Wheel Shaft Collar Set Screw |
| 250154 | 16445 | Rapid Feed Clutch Disengaging Lever (3) |
| 253481 | 16445 | " " " " " Sleeve |
| 250156 | 16445 | " " " " " Driving Disc |
| 1230R | 16445 | " " " " " " Screw (4) |
| 201897 | 16445 | " " " " " Roller (3) |
| 255095 | 16445 | " " " " " Carrier with 624E |
| 40025 | 16445 | Rapid Feed Clutch Roller Carrier Position Pin |
| 624E | 16445 | Rapid Feed Clutch Roller Carrier Set Screw |
| 250153 | 16445 | Rapid Feed Clutch Roller Retainer (3) |
| 208AL | 16445 | " " " " " " Screw (3) |
| 255096 | 16445 | Rapid Feed Clutch Roller Spring (3) |
| 255097 | 16445 | " " " " " " Guide Pin (3) |
| 250158 | 16367 | Rapid Feed Crank Shaft |
| 250159 | 16367 | " " " " " Bushing (back) |
| 250160 | 16367 | " " " " " " " Oil Tube (lower) (brass) |
| 250495 | 16367 | Rapid Feed Crank Shaft Bushing (back) Oil Tube (upper) (brass) |
| 250161 | 16367 | Rapid Feed Crank Shaft Bushing (front) |
| 436C | 16367 | " " " " " " Set Screw (2) |
| 232600 | 16367 | " " " " " " Collar with two 453AL |
| 453AL | 16367 | Rapid Feed Crank Shaft Collar Set Screw |
| 250452 | 16367 | " " " " " " Gear with 458C |
| 232719 | 16367 | " " " " " " Position Pin |
| 458C | 16367 | " " " " " " Set Screw |
| 202260 | 16367 | " " " " " " Oil Packing (wick) (2) |
| *256091 | ----- | Rapid Feed Driving Gear |
| 250398 | 16349 | " " " " " " Key |

| No. | Plate | Name |
|---------|-------|--|
| 250164 | 16364 | Rapid Feed Gear Guard |
| 641D | 16364 | " " " " " Screw (2) |
| 256223 | 16364 | " " " " " Intermediate Gear (bronze) |
| 201447C | 16364 | " " " " " " Screw Stud |
| 1510E | 16364 | Rapid Feed Intermediate Gear Screw Stud Nut |
| 250167 | 16364 | Rapid Feed Intermediate Gear Screw Stud Nut Washer |
| 250405 | 16364 | Rapid Feed Intermediate Gear Screw Stud Washer |
| 253536 | 16367 | Rapid Feed Pawl Bell Crank with 202299 |
| 11C | 16367 | " " " " " " Hinge Screw |
| 202299 | 16367 | " " " " " " Oil Packing (wick) |
| 250171 | 16367 | Rapid Feed Pawl Bell Crank Slide Block Section (2) |
| 250172 | 16367 | Rapid Feed Pawl Guide |
| 181D | 16367 | " " " " " " Screw (2) |
| 350260C | 16367 | " " " " " Hinge Screw |
| 1655E | 16367 | " " " " " " Nut |
| 252266 | 16372 | " " " " " Slide Bar |
| 250174 | 16372 | " " " " " Bushing (left) |
| 145E | 16372 | " " " " " " " Screw (2) |
| 250175 | 16372 | Rapid Feed Slide Bar Bushing (right) |
| 647E | 16372 | " " " " " " " Screw (2) |
| 252269 | 16372 | Rapid Feed Slide Bar Collar with 448AL |
| 40025 | 16372 | " " " " " " Position Pin |
| 448AL | 16372 | " " " " " " Set Screw |
| 256065 | 16372 | " " " " " " Fork Connection with 889AL |
| 253538 | 16372 | Rapid Feed Slide Bar Fork Connection Extension Plate |
| 176D | 16372 | Rapid Feed Slide Bar Fork Connection Extension Plate Screw (2) |
| 350321E | 16372 | Rapid Feed Slide Bar Fork Connection Position Screw |
| 350385C | 16372 | Rapid Feed Slide Bar Fork Connection Screw Stud |
| 889AL | 16372 | Rapid Feed Slide Bar Fork Connection Set Screw |
| 252306 | 16367 | Rapid Feed Slide Bar Lock |
| 252271 | 16367 | " " " " " " Block |
| 232055 | 16367 | " " " " " " " Position Pin |
| 704E | 16367 | Rapid Feed Slide Bar Lock Block Screw |
| 350262E | 16367 | " " " " " " Hinge Screw |
| 250409 | 16367 | " " " " " " Spring |
| 1241E | 16372 | " " " " " " " Screw Eye |
| 250194 | 16367 | Rapid Feed Slide Bar Lock Trip |
| 56C | 16367 | " " " " " " " Hinge Screw |

| No. | Plate | Name |
|---------|-------|---|
| 252273 | 16372 | Rapid Feed Slide Bar Spring |
| 350293E | 16372 | " " " " " Cap Screw |
| 252274 | 16372 | " " " " " Washer |
| 250180 | 16462 | " " Starting Latch |
| 199C | 16462 | " " " " " Cap Screw |
| 201446C | 16462 | " " " " " Hinge Screw |
| | | Stud |
| 250181 | 16462 | Rapid Feed Starting Lever with 1454E |
| 255053 | 16462 | " " " " " (operated by stop motion) with 704C, 1454E, 203213 and 255054 |
| 255064 | 16462 | Rapid Feed Starting Lever Latch |
| 350256C | 16462 | " " " " " Hinge Screw |
| 255092 | 16462 | Rapid Feed Starting Lever Latch Spring |
| 217E | 16462 | " " " " " " " |
| 7071 | 16462 | Rapid Feed Starting Lever Latch Spring Screw Washer |
| 253512 | 16462 | Rapid Feed Starting Lever Latch Stop Washer |
| 193D | 16462 | Rapid Feed Starting Lever Latch Stop Washer Screw |
| 1330C | 16407 | Rapid Feed Starting Lever Operating Screw Stud |
| 201445E | 16462 | Rapid Feed Starting Lever Position Screw (2) |
| 1454E | 16462 | Rapid Feed Starting Lever Set Screw |
| 250185 | 16462 | " " " " " Shaft |
| 204197 | 16462 | " " " " " Collar with 200113F |
| 200113F | 16462 | Rapid Feed Starting Lever Shaft Collar Set Screw |
| 250409 | 16462 | Rapid Feed Starting Lever Spring |
| 1241E | 16462 | " " " " " " Screw Eye |
| 255054 | 16462 | Rapid Feed Starting Lever Stud |
| 704C | 16462 | " " " " " " Set Screw |
| 203213 | 16462 | Rapid Feed Starting Lever Stud Spring |
| 253537 | 16367 | " " " " Pawl |
| 256177 | 16367 | " " " " " Oiling Pad (felt) |
| 181D | 16367 | Rapid Feed Starting Pawl Oiling Pad Screw |
| 9525 | 16367 | Rapid Feed Starting Pawl Oiling Pad Screw Washer |
| 250188 | 16367 | Rapid Feed Starting Pawl Spring |
| 201454E | 16414 | " " " " " " Screw Eye |
| 1521E | 16414 | Rapid Feed Starting Pawl Spring Screw Eye Nut |
| 250189 | 16462 | Rapid Feed Starting Trip Lever with 1454E |
| 251623 | 16462 | Rapid Feed Starting Trip Lever Overthrow Stop |

| No. | Plate | Name |
|---------|-------|--|
| 350229E | 16462 | Rapid Feed Starting Trip Lever Overthrow Stop Screw |
| 7071 | 16462 | Rapid Feed Starting Trip Lever Overthrow Stop Screw Washer |
| 201445E | 16462 | Rapid Feed Starting Trip Lever Position Screw |
| 201437C | 16462 | Rapid Feed Starting Trip Lever Screw Stud |
| 1454E | 16462 | Rapid Feed Starting Trip Lever Set Screw |
| 256192 | 16464 | Rapid Feed Trip Latch |
| 256193 | 16464 | " " " " " Bracket with 200E |
| 200E | 16464 | " " " " " " Set Screw |
| 256194 | 16464 | " " " " " Disengaging Plate |
| 106D | 16464 | " " " " " " " Hinge Screw |
| 100D | 16464 | Rapid Feed Trip Latch Hinge Screw |
| 255157 | 16464 | " " " " " Spring |
| 201160E | 16464 | " " " " " " Screw Eye |
| 256195 | 16464 | " " " " " Lever with two 200E (for straight buttonholes) |
| 200E | 16464 | Rapid Feed Trip Lever Set Screw |
| 255123 | 16364 | " " " " Tripping Pawl |
| 1410D | 16364 | " " " " " Cap Screw |
| 255124 | 16364 | " " " " " Lever |
| 250432 | 16364 | " " " " " " Bracket |
| 232154 | 16364 | " " " " " " " " Position Pin (2) |
| 350110C | 16364 | Rapid Feed Tripping Pawl Lever Bracket Screw |
| 14017 | 16364 | Rapid Feed Tripping Pawl Lever Bracket Screw Washer |
| 72C | 16364 | Rapid Feed Tripping Pawl Lever Hinge Screw |
| 255167 | 16364 | Rapid Feed Tripping Pawl Spring |
| 250195 | 16367 | " " " " Worm with 453AL |
| 25362 | 16367 | " " " " Ball |
| 250196 | 16367 | " " " " " Bearing Cup |
| 225007 | 16367 | " " " " " Retainer with eight 25362 |
| 252244 | 16367 | Rapid Feed Worm Position Pin |
| 453AL | 16367 | " " " " Set Screw |
| 250197 | 16445 | " " " " Wheel |
| 250198 | 16445 | " " " " " Collar with two 453AL |
| 453AL | 16445 | Rapid Feed Worm Wheel Collar Set Screw |
| 202244 | 16445 | " " " " " Oil Packing (wick) |
| 256196 | 16409 | Starting and Retaining Latch with 201160E |
| 255136 | 16409 | Starting and Retaining Latch Crank with 209F and 1819 |
| 2269 | 16409 | Starting and Retaining Latch Crank Position Pin |
| 1819 | 16409 | Starting and Retaining Latch Crank Roller and Stud |

| No. | Plate | Name |
|---|-------|--|
| 209F | 16409 | Starting and Retaining Latch Crank Set Screw |
| 255157 | 16409 | Starting and Retaining Latch Spring |
| 201160E | 16409 | " " " " " Screw Eye |
| 255158 | 16405 | Starting and Retaining Latch Tripping Block |
| 235404 | 16405 | Starting and Retaining Latch Tripping Block Pin |
| 183C | 16405 | Starting and Retaining Latch Tripping Block Screw |
| 255138 | 16409 | Starting Bell Crank with 201160E |
| 350291C | 16409 | " " " Hinge Screw |
| 250202 | 17426 | " Rod |
| 250203 | 17426 | " " Block with 203E |
| 2273 | 17426 | " " " Position Pin |
| 203E | 17426 | " " " Set Screw |
| 40043 | 17426 | " " Collar with 209AL (?) |
| 209AL | 17426 | " " " Set Screw |
| 250204 | 17426 | " " Lock |
| 946D | 17426 | " " " Hinge Screw |
| 250205 | 17426 | " " " Spring |
| 213D | 17426 | " " " " Screw |
| 250206 | 17426 | " " " " Washer |
| 250207 | 17426 | " " Safety Lock |
| 38D | 17426 | " " " " Hinge Screw |
| 226467 | 17426 | " " " " " " Washer |
| 250423 | 17426 | Starting Rod Spring |
| 201160E | 17426 | " " " " Screw Eye |
| 250210 | 16414 | Stitch Regulating Gear, 22 teeth |
| 250211 | 16414 | " " " 26 teeth |
| 250212 | 16414 | " " " 28 teeth |
| 250598 | 16414 | " " " 30 teeth |
| 250213 | 16414 | " " " 33 teeth |
| Note: No. 250213 is furnished with this machine unless otherwise specified on order. | | |
| 250214 | 16414 | Stitch Regulating Gear, 34 teeth |
| 250415 | 16414 | " " " 38 teeth |
| 250478 | 16414 | " " " 42 teeth |
| 201660C | 16414 | " " " Lock Nut |
| 256081 | 16355 | " Rotating Lever (lower) with 458C |
| 201442C | 16355 | " " " " Position Screw |
| 351862 | 16355 | Stitch Rotating Lever (lower) Roller |
| 350378C | 16355 | " " " " " " Screw Stud |
| 201666E | 16355 | Stitch Rotating Lever (lower) Roller Screw Stud Nut |
| 458C | 16355 | Stitch Rotating Lever (lower) Set Screw |
| 232591 | 17425 | Stitch Rotating Lever (upper) with 448AL |
| 40025 | 17425 | Stitch Rotating Lever (upper) Position Pin |

| No. | Plate | Name |
|---------|-------|---|
| 448AL | 17425 | Stitch Rotating Lever (upper) Set Screw |
| 232807 | 16355 | Stitch Rotating Lever Connection (front section) (lower) |
| 232593 | 17425 | Stitch Rotating Lever Connection (front section) (upper) |
| 232808 | 16355 | Stitch Rotating Lever Connection (rear section) (lower) |
| 232592 | 17425 | Stitch Rotating Lever Connection (rear section) (upper) |
| 58F | 16355 | Stitch Rotating Lever Connection Hinge Screw (4) |
| 172D | 16355 | Stitch Rotating Lever Connection Screw (lower) |
| 39504 | 16355 | Stitch Rotating Lever Connection Screw Washer (lower) |
| 193D | 17425 | Stitch Rotating Lever Connection Screw (upper) |
| 232717 | 17425 | Stitch Rotating Lever Connection Screw Washer (upper) |
| 232764 | 16355 | Stitch Rotating Lever Connection (lower) complete, Nos. 232807, 232808, two each 172D and 39504 |
| 250400 | 17425 | Stitch Rotating Lever Connection (upper) complete, Nos. 232592, 232593, 232717 and two 193D |
| 250394 | 16355 | Stitch Rotating Lever Rock Shaft |
| 250216 | 16355 | " " Sector (lower) |
| 232597 | 16355 | " " " " Bracket |
| 690D | 16355 | " " " " " Screw |
| 226163 | 16355 | " " " " " " Washer |
| 350087C | 16355 | Stitch Rotating Sector (lower) Hinge Screw |
| 250217 | 17425 | Stitch Rotating Sector (upper) |
| 232599 | 17425 | " " " " Bracket |
| 201395D | 17425 | " " " " " " Screw (2) |
| 251026 | 16363 | Stop Lever with 200352C |
| 232262 | 16363 | " " Bracket |
| 350263E | 16363 | " " " Screw |
| 250218 | 16363 | " " Crank with 453AL |
| 40025 | 16363 | " " " Position Pin |
| 453AL | 16363 | " " " Set Screw |
| 232263 | 16363 | " " Friction Pad (rawhide) |
| 200110D | 16363 | " " " " Screw (2) |
| 255169 | 16363 | " " Interlocking Slide |
| 201084C | 16363 | " " " " Adjusting Screw |
| 201628E | 16363 | Stop Lever Interlocking Slide Adjust- ing Screw Nut |
| 1178D | 16363 | Stop Lever Interlocking Slide Screw |
| 232265 | 16363 | " " " " " " Washer |
| 250416 | 16363 | Stop Lever Interlocking Slide Spring |

| No. | Plate | Name |
|---------|-------|---|
| 250219 | 16365 | Stop Lever Link |
| 250220 | 16365 | " " " Connection |
| 250221 | 16365 | " " " " Locking Pin |
| 250222 | 16365 | " " " " " " |
| | | Spring |
| 217D | 16365 | Stop Lever Link Connection Locking Pin Spring Screw (?) |
| 350225D | 16365 | Stop Lever Link Connection Screw (back) |
| 807D | 16365 | " " " " " (front) |
| 64C | 16365 | " " " Hinge Screw |
| 250223 | 16365 | " " Operating Lever |
| 11C | 16365 | " " " " Hinge Screw |
| 250224 | 16365 | " " " Plate |
| 157D | 16365 | " " " " Screw |
| 39541 | 16365 | " " " " Washer |
| 201442C | 16363 | " " Position Screw |
| 200352C | 16363 | " " Set Screw |
| 250225 | 16363 | " " Shaft |
| 256217 | 16363 | " " Spring |
| 201110D | 16363 | " " " Screw |
| 254093 | 16459 | Throat Plate |
| 250447 | 16459 | " " Adjusting Block |
| 176D | 16459 | " " Screw |
| 250560 | 16459 | " " Washer |
| *256083 | 16414 | Vertical Shaft with two each 204648 and 250589 |
| 256201 | 16414 | Vertical Shaft 256083 with 232719 and 255522 |
| 255522 | 16414 | Vertical Shaft Bevel Gear (lower) with two 453AL |
| 232719 | 16414 | Vertical Shaft Bevel Gear (lower) Position Pin |
| 256084 | 16414 | Vertical Shaft Bevel Gear (upper) with two 453AL |
| 40025 | 16414 | Vertical Shaft Bevel Gear (upper) Position Pin (2) |
| 453AL | 16414 | Vertical Shaft Bevel Gear Set Screw |
| 250396 | 16414 | " " Bushing (lower) |
| 350455E | 16414 | " " " " Screw (2) |
| 201730E | 16414 | " " " " " Nut (2) |
| 256085 | 16414 | " " " (upper) |
| 575C | 16414 | " " " " Set Screw |
| 253717 | 17427 | Work Clamp Arm (left) |
| 253718 | 17428 | " " " (right) |
| 250525 | 17427 | " " " Bracket (left) |
| 255057 | 17427 | " " " " 250525 with 250268, 250551, 250552, 253666 and three 2269 |
| 250526 | 17428 | Work Clamp Arm Bracket (right) |
| 255058 | 17428 | " " " " 250526 with 250266, 250528, 250529, 253666 and three 2269 |
| 201129D | 17427 | Work Clamp Arm Bracket Screw (back) |
| 253666 | 17427 | " " " Cam with 209F |
| 2269 | 17427 | " " " " Position Pin |

| No. | Plate | Name |
|---------|-------|--|
| 209F | 17427 | Work Clamp Arm Cam Set Screw |
| 250552 | 17427 | " " " " Shaft (left) |
| 250528 | 17428 | " " " " " (right) |
| 201237E | 17427 | " " " " Stop Screw |
| 201537H | 17427 | " " " " " Nut |
| 256214 | 17427 | " " " Hinge Block |
| 350123E | 17427 | " " " " Hinge Screw |
| 200051E | 17427 | " " " Screw |
| 1321E | 17427 | " " " Spring |
| 350136E | 17427 | " " " " Screw |
| 256086 | 17427 | " " Base (left) with 251619 |
| 256097 | 17427 | " " " " 256086 with 194C, 217E, 662D, 792D, 991E, 1423F, 1443F, 1550J, 7071, 10E49, 13E18, 200051E, 200097C, 201237E, 201537H, 250241, 250418, 250419, 251518, 251519, 25220E, 253717, 253724, 255003, 255016, 255057, 255162, 255164, 256100, 256214, 256226, 359080D, 350136E, two each 207F, 201129D, 22802G, 350123E and nine 934H |
| 25516F | 17427 | Work Clamp Base (left) Guard |
| 934H | 17427 | " " " " Screw |
| 256087 | 17428 | " " " (right) with 251619 |
| 256098 | 17428 | " " " " 256087 with 662D, 792D, 991E, 1423F, 1443F, 1550J, 1521E, 200051E, 201237E, 201537H, 22802G, 232270 to 232272, 250242, 250275, 25220E, 253718, 253724, 255003, 255016, 255058, 255163, 255165, 256101, 256214, 256226, 350136E, two each 200186B, 201129D, 350123E, four 207F and nine 934H |
| 255163 | 17428 | Work Clamp Base (right) Guard |
| 934H | 17428 | " " " " " Screw |
| 256100 | 17427 | " " " Clamping Plate (left) |
| 256101 | 17428 | " " " " " (right) |
| 934H | 17427 | " " " " " Screw |
| 251619 | 17427 | " " " Hinge Stud |
| 250439 | 16455 | " " " Retaining Stud |
| 250241 | 17427 | " " " Spring (left) |
| 250242 | 17428 | " " " " (right) |
| 1443F | 17427 | " " " " Screw |
| 201451E | 16455 | " " " " Stud (2) |
| 232309 | 16455 | " " " Stop Block (2) |
| 232310 | 16455 | " " " " " Position Pin (2) |
| 201148H | 16455 | Work Clamp Stop Block Screw (2) |
| 256021 | 16455 | " " Carrier Base Plate with 250439 |
| 256040 | 16455 | Work Clamp Carrier Base Plate Extension |
| 934E | 16455 | Work Clamp Carrier Base Plate Extension Screw (2) |
| 256022 | 16379 | Work Clamp Carrier Base Plate Slide Rod |

| No. | Plate | Name |
|---------|-------|---|
| 201643E | 16379 | Work Clamp Carrier Base Plate Slide Rod Nut (2) |
| 250095 | 16379 | Work Clamp Carrier Base Plate Slide Rod Position Pin (2) |
| 200119D | 16379 | Work Clamp Carrier Base Plate Slide Rod Set Screw |
| 250244 | 16413 | Work Clamp Carrier Feed Lever |
| 350185C | 16413 | " " " " " Hinge Screw |
| 250245 | 16413 | Work Clamp Carrier Feed Lever Link |
| 250246 | 16413 | " " " " " " Block |
| 50168E | 16413 | Work Clamp Carrier Feed Lever Link Block Screw (2) |
| 350070C | 16413 | Work Clamp Carrier Feed Lever Link Hinge Screw (block end) |
| 350216C | 16413 | Work Clamp Carrier Feed Lever Link Hinge Screw (lever end) |
| 351863 | 16413 | Work Clamp Carrier Feed Lever Roller |
| 351864 | 16413 | " " " " " " 351863 with 256088 and 350072E |
| 350072E | 16413 | Work Clamp Carrier Feed Lever Roller Cap Screw |
| 256088 | 16413 | Work Clamp Carrier Feed Lever Roller Stud |
| 255076 | 16413 | Work Clamp Carrier Feed Lever Roller Stud Washer |
| 250248 | 16371 | Work Clamp Carrier Side Throw Lever (lower section) with 201097C and 201530E |
| *256186 | ----- | Work Clamp Carrier Side Throw Lever (upper section) |
| 256187 | 16371 | Work Clamp Carrier Side Throw Lever (upper section) 256186 with 201374E, 256188, 351866 and two 1176D |
| *256188 | ----- | Work Clamp Carrier Side Throw Lever Extension |
| 1176D | 16371 | Work Clamp Carrier Side Throw Lever Extension Screw |
| 250599 | 16371 | Work Clamp Carrier Side Throw Lever Hinge Stud |
| 250600 | 16371 | Work Clamp Carrier Side Throw Lever Hinge Stud Collar with two 448AL |
| 448AL | 16371 | Work Clamp Carrier Side Throw Lever Hinge Stud Collar Set Screw |
| 435AL | 16371 | Work Clamp Carrier Side Throw Lever Hinge Stud Set Screw |
| 250250 | 16371 | Work Clamp Carrier Side Throw Lever Lock Pin with 201940 and 350072E |
| 201940 | 16371 | Work Clamp Carrier Side Throw Lever Lock Pin Roller |
| 350072E | 16371 | Work Clamp Carrier Side Throw Lever Lock Pin Roller Cap Screw |
| 201430C | 16371 | Work Clamp Carrier Side Throw Lever Lock Pin Screw Stud |

| No. | Plate | Name |
|---------|-------|---|
| 250251 | 16371 | Work Clamp Carrier Side Throw Lever Lock Pin Spring |
| 191C | 16371 | Work Clamp Carrier Side Throw Lever Lock Pin Spring Screw (2) |
| 351865 | 16371 | Work Clamp Carrier Side Throw Lever Roller |
| 351866 | 16371 | Work Clamp Carrier Side Throw Lever Roller 351865 with 256090 and 201144E |
| 201144E | 16371 | Work Clamp Carrier Side Throw Lever Roller Cap Screw |
| 256090 | 16371 | Work Clamp Carrier Side Throw Lever Roller Stud |
| 201374E | 16371 | Work Clamp Carrier Side Throw Lever Roller Stud Cap Screw |
| 232321 | 16371 | Work Clamp Carrier Side Throw Lever Slide Block |
| 250252 | 16455 | Work Clamp Carrier Side Throw Lever Slide Block Guide |
| 231C | 16455 | Work Clamp Carrier Side Throw Lever Slide Block Guide Screw (3) |
| 201097C | 16371 | Work Clamp Carrier Side Throw Lever Slide Block Screw Stud |
| 201530E | 16371 | Work Clamp Carrier Side Throw Lever Slide Block Screw Stud Nut |
| 256023 | 16379 | Work Clamp Carrier Slide (left) with 200119D |
| 256024 | 16379 | Work Clamp Carrier Slide (right) with 200119D |
| 255509 | 16379 | Work Clamp Carrier Slide Gib (left, back) |
| 255510 | 16379 | Work Clamp Carrier Slide Gib (left, front) |
| 255511 | 16379 | Work Clamp Carrier Slide Gib (right, back) |
| 255512 | 16379 | Work Clamp Carrier Slide Gib (right, front) |
| 50168E | 16379 | Work Clamp Carrier Slide Gib Screw |
| 256025 | 16379 | " " " " Stay Plate |
| 256026 | 16379 | " " " " " " Lock Washer |
| 350369E | 16379 | Work Clamp Carrier Slide Stay Plate Lock Washer Screw |
| 250597 | 16379 | Work Clamp Carrier Slide Stay Plate Position Pin (2) |
| 231C | 16379 | Work Clamp Carrier Slide Stay Plate Screw (5) |
| 256225 | 17427 | Work Clamp Check (left) with 350487E |
| 256226 | 17428 | " " " (right) with 350487E |
| 350487E | 17427 | " " " Hinge Screw |
| 253724 | 17427 | " " " Spring |
| 662D | 17427 | " " " Screw |
| 252194 | 16407 | " " Closing Lever |
| 250266 | 17428 | " " " (hand) with 209F |

| No. | Plate | Name |
|---------|-------|--|
| 2269 | 17428 | Work Clamp Closing Lever (hand) Position Pin |
| 209F | 17428 | Work Clamp Closing Lever (hand) Set Screw |
| 252196 | 16407 | Work Clamp Closing Lever Adjusting Arm with 201531H, 201948 and 228026 |
| 1178D | 16407 | Work Clamp Closing Lever Adjusting Arm Screw |
| 14017 | 16407 | Work Clamp Closing Lever Adjusting Arm Screw Washer |
| 255021 | 16405 | Work Clamp Closing Lever Cam Groove Protector |
| 210750 | 16405 | Work Clamp Closing Lever Cam Groove Protector Position Pin |
| 172D | 16405 | Work Clamp Closing Lever Cam Groove Protector Screw |
| 255153 | 16405 | Work Clamp Closing Lever Disengaging Block |
| 183C | 16405 | Work Clamp Closing Lever Disengaging Block Screw |
| 250406 | 16405 | Work Clamp Closing Lever Disengaging Block Shim (.005 in. thick) |
| 250407 | 16405 | Work Clamp Closing Lever Disengaging Block Shim (.010 in. thick) |
| 256197 | 16407 | Work Clamp Closing Lever Engaging Stud |
| 255141 | 16409 | " " " " " " |
| | | Latch |
| 255161 | 16409 | Work Clamp Closing Lever Engaging Stud Latch Spring |
| 1241E | 16409 | Work Clamp Closing Lever Engaging Stud Latch Spring Screw Eye |
| 256199 | 16348 | Work Clamp Closing Lever Engaging Stud Lock Plate |
| 200076D | 16348 | Work Clamp Closing Lever Engaging Stud Lock Plate Screw |
| 7071 | 16348 | Work Clamp Closing Lever Engaging Stud Lock Plate Screw Washer |
| 256198 | 16407 | Work Clamp Closing Lever Engaging Stud Sleeve |
| 232105 | 16407 | Work Clamp Closing Lever Engaging Stud Sleeve Pin |
| 255143 | 16407 | Work Clamp Closing Lever Engaging Stud Spring |
| 256209 | 16407 | Work Clamp Closing Lever Engaging Stud 256197 with 232105 and 256198 |
| 255144 | 16405 | Work Clamp Closing Lever Engaging Stud Wear Plate |
| 210750 | 16405 | Work Clamp Closing Lever Engaging Stud Wear Plate Position Pin |
| 183C | 16405 | Work Clamp Closing Lever Engaging Stud Wear Plate Screw |
| 350407C | 16407 | Work Clamp Closing Lever Hinge Screw |
| 201729C | 16407 | " " " " " " |
| | | Nut |
| 201947 | 16407 | Work Clamp Closing Lever Roller |

| No. | Plate | Name |
|---------|-------|--|
| 201948 | 16407 | Work Clamp Closing Lever Roller 201947 with 350156E |
| 350156E | 16407 | Work Clamp Closing Lever Roller Screw Stud |
| 201531H | 16407 | Work Clamp Closing Lever Roller Screw Stud Nut |
| 228026 | 16407 | Work Clamp Closing Lever Roller Screw Stud Washer |
| 991C | 17426 | Work Clamp Closing Lever Stop Screw |
| 252199 | 17425 | " " " Safety Bracket with two 453AL |
| 453AL | 17425 | Work Clamp Closing Safety Bracket Set Screw |
| 250268 | 17427 | Work Clamp Connection Lever (left) with 209F |
| 250529 | 17428 | Work Clamp Connection Lever (right) with 209F |
| 2269 | 17427 | Work Clamp Connection Lever Position Pin |
| 209F | 17427 | Work Clamp Connection Lever Set Screw |
| 250270 | 17425 | " " Opening Bell Crank with 1819 |
| 659D | 17425 | " " " " " Hinge Screw |
| 1819 | 17425 | " " " " " Roller and Stud |
| 232200 | 17425 | Work Clamp Opening Bell Crank Spring |
| 1241E | 17425 | " " " " " " |
| | | Screw Eye |
| 253680 | 16405 | Work Clamp Opening Cam with 462AL |
| 12509 | 16405 | " " " " Position Pin |
| 462AL | 16405 | " " " " Set Screw |
| 250551 | 17427 | " " " Lever with 1253C |
| 251519 | 17427 | " " " " Latch |
| 253679 | 17425 | " " " " Releasing Bracket with 200E, 1547J and 350218C |
| 200E | 17425 | Work Clamp Opening Lever Latch Releasing Bracket Set Screw |
| 350218C | 17425 | Work Clamp Opening Lever Latch Releasing Screw |
| 1547J | 17425 | Work Clamp Opening Lever Latch Releasing Screw Check Nut |
| 10249 | 17427 | Work Clamp Opening Lever Latch Spring |
| 217E | 17427 | " " " " " " |
| | | Screw |
| 7071 | 17427 | Work Clamp Opening Lever Latch Spring Screw Washer |
| 194C | 17427 | Work Clamp Opening Lever Latch Stop Screw |
| 2269 | 17427 | Work Clamp Opening Lever Position Pin |
| 1253C | 17427 | " " " " Set Screw |
| 255077 | 17425 | " " " Rod |
| 255079 | 17425 | Work Clamp Opening Rod complete, Nos. 203C, 1662C, 250287, 253679, 255077 and 255078 |
| 255078 | 17425 | Work Clamp Opening Rod Connection |

| No. | Plate | Name |
|---------|-------|---|
| 807D | 17425 | Work Clamp Opening Rod Connection Hinge Screw |
| 250274 | 17425 | Work Clamp Opening Rod Guide with 808D |
| 808D | 17425 | " " " " " Pinch Screw |
| 1662C | 17425 | " " " " Nut |
| 250275 | 17428 | " " " Stop (adjustable) |
| 207F | 17428 | " " " " Screw |
| 256030 | 16455 | " " Spreader (front) |
| 256031 | 16455 | " " " " Adjusting Block (left) |
| 256032 | 16455 | Work Clamp Spreader (front) Adjusting Block (right) |
| 256033 | 16455 | Work Clamp Spreader (front) Adjusting Block Lever (left) |
| 256034 | 16455 | Work Clamp Spreader (front) Adjusting Block Lever (right) |
| 201463D | 16455 | Work Clamp Spreader (front) Adjusting Block Lever Hinge Screw (2) |
| 251202 | 16455 | Work Clamp Spreader (front) Adjusting Block Lever Spring |
| 203E | 16455 | Work Clamp Spreader (front) Adjusting Block Screw (2) |
| 7071 | 16455 | Work Clamp Spreader (front) Adjusting Block Screw Washer (2) |
| 256035 | 16455 | Work Clamp Spreader (front) Connection |
| 99C | 16455 | " " " " " Hinge Screw (2) |
| 256036 | 16455 | Work Clamp Spreader (front) Lever |
| 940F | 16455 | " " " " " Hinge Screw |
| 256037 | 16455 | Work Clamp Spreader (front) Strap |
| 190D | 16455 | " " " " " Screw (2) |
| 250276 | 16455 | Work Clamp Spreader (left) |
| 350140D | 16455 | " " " " " Screw |
| 256027 | 16455 | " " " " (right) |
| 201463D | 16455 | " " " " " Screw |
| 991E | 17427 | " " " " Adjusting Screw |
| 252202 | 17427 | " " " " " Bracket |
| 207F | 17427 | " " " " " Screw |
| 1550J | 17427 | Work Clamp Spreader Adjusting Screw Nut |
| 256028 | 16455 | Work Clamp Spreader Base Plate |
| 256231 | 16455 | " " " " " Retaining Block (2) |
| 201026E | 16455 | Work Clamp Spreader Base Plate Retaining Block Screw (4) |
| 50058D | 16455 | Work Clamp Spreader Base Plate Screw (2) |
| 253505 | 16455 | Work Clamp Spreader Connection |
| 253506 | 16455 | " " " " " Bracket with 201981 |
| 1981 | 16455 | Work Clamp Spreader Connection Bracket Roller |

| No. | Plate | Name |
|---------|-------|---|
| 201981 | 16455 | Work Clamp Spreader Connection Bracket Roller 1981 with 253524 |
| 253524 | 16455 | Work Clamp Spreader Connection Bracket Roller Stud |
| 208AL | 16455 | Work Clamp Spreader Connection Bracket Screw (2) |
| 201453C | 16455 | Work Clamp Spreader Connection Hinge Screw |
| 250281 | 16455 | Work Clamp Spreader Connection Link (left) |
| 253507 | 16455 | Work Clamp Spreader Connection Link (right) |
| 201452E | 16455 | Work Clamp Spreader Connection Link Hinge Screw (2) |
| 256038 | 16455 | Work Clamp Spreader Operating Fork Lever |
| 212D | 16455 | Work Clamp Spreader Operating Fork Lever Cap Screw |
| 350138E | 16455 | Work Clamp Spreader Operating Fork Lever Hinge Screw |
| 255081 | 16455 | Work Clamp Spreader Operating Fork Lever Stop Plate |
| 203E | 16455 | Work Clamp Spreader Operating Fork Lever Stop Plate Screw |
| 7071 | 16455 | Work Clamp Spreader Operating Fork Lever Stop Plate Screw Washer |
| 250285 | 16407 | Work Clamp Spreader Operating Pawl |
| 252512 | 16407 | " " " " " Ad-justing Block |
| 176D | 16407 | Work Clamp Spreader Operating Pawl Ad-justing Block Screw |
| 7071 | 16407 | Work Clamp Spreader Operating Pawl Ad-justing Block Screw Washer |
| 132E | 16407 | Work Clamp Spreader Operating Pawl Ad-justing Screw |
| 201669E | 16407 | Work Clamp Spreader Operating Pawl Ad-justing Screw Nut |
| 741C | 16407 | Work Clamp Spreader Operating Pawl Hinge Screw |
| 250286 | 16407 | Work Clamp Spreader Operating Pawl Spring |
| 201314C | 16407 | Work Clamp Spreader Operating Pawl Stop Screw |
| 252513 | 16407 | Work Clamp Spreader Operating Pawl complete, Nos. 176D, 7071, 250285 and 252512 |
| 250287 | 17425 | Work Clamp Spreader Releaser |
| 203C | 17425 | " " " " " Screw |
| 201314C | 16455 | " " " " " Screw Stud (2) |
| 255005 | 17427 | " " Spring |
| 255016 | 17427 | " " " " Wear Plate |
| 792D | 17427 | " " " " " Screw |
| 255164 | 17427 | " " Position Gauge (left) |
| 255165 | 17428 | " " " " (right) |
| 1423F | 17427 | " " " " " Screw |
| 228026 | 17427 | " " " " " Washer |

ACCESSORIES

| No. | Plate | Name |
|---------|-------|--|
| 256106 | 17424 | Buttonhole Cutting Block (steel), 1 in. (eye or taper bar) |
| 256120 | 17424 | Buttonhole Cutting Knife (.100 x .180 eye) |
| 250212 | 16414 | Stitch Regulating Gear, 28 teeth |
| 232486 | 16382 | Threader Wire (large) |
| 255554 | 16382 | " " (small) |
| 255513 | 16382 | Tweezers |
| 142 x 5 | ---- | Needles, six, size 17 |
| 250004 | 16382 | Bed Cushion (leather) (back) |
| 250006 | 16382 | " " " (front) |
| 250007 | 16382 | " " (fibre) (inside) |
| 250008 | 16382 | " " " (outside) |
| 158E | 16382 | " " Screw |
| 250018 | 16382 | " Support (left) with 250004, 250006, 250008, two 250007 and six 158E |
| 250019 | 16382 | Bed Support (right) with 250004, 250006, 250008, two 250007 and six 158E |
| 250288 | 16383 | Drip Pan |
| 250408 | 16382 | Machine Rest (high) with 232982 and two wood screws 1 in., No. 12 |
| 232982 | 16382 | Machine Rest Cushion (leather) |
| 120346 | 16382 | Oiler (copper plated) with 120347 |
| 120347 | 16382 | " Spout (8-1/2 in. long) |
| *250521 | ----- | Screw Driver Blade |
| *225483 | ----- | " " Handle |
| 250522 | 16382 | Screw Driver complete (for needle set screw), Nos. 225483 and 250521 |
| 255542 | 16383 | Screw Driver, (8 in. blade) |
| 11831 | 16383 | " " 5 in. blade |
| 250543 | 16383 | Stitch Regulating Gear Holder |
| 23535 | 16383 | Wrench, for 1697 and 1698 |
| 232900 | 16383 | " for 201362 and 201668 |
| 232935 | 16383 | " for 201658, 201659 and 201670 (2) |
| 250289 | 16382 | " for 201424 350111 |
| 255533 | 16382 | " for 201442 and 201445 |
| 255539 | 16383 | " for 1550 and 350136 |
| 255540 | 16383 | " for 201524 |
| 255541 | 16383 | " for 201628 and 201660 |
| 256019 | 16383 | " for 201727 and 201728 (C) |
| | | Wood Screws 1-1/4 in. No. 12 (4) |

THREAD UNWINDER

FOR THREE SPOOLS

| No. | Plate | Name |
|---------|-------|---|
| 259370 | 16385 | Spool Pin |
| 225375 | 16385 | " " (wood) |
| 259378 | 16385 | " " Arm with 217E and 259379 |
| 232896 | 16385 | " " " Bracket with two 448AL |
| 448AL | 16385 | " " " " Set Screw |
| 448AL | 16385 | " " " " Set Screw |
| 259371 | 16385 | " " Cap (Bakelite) |
| 1010F | 16385 | " " " Hinge Screw |
| 259379 | 16385 | " " Retaining Spring |
| 259372 | 16385 | " " Washer |
| 259373 | 16385 | Spool Pin complete, Nos. 1010F and 259370 to 259372 |
| 259374 | 16385 | Spool Rest (for one spool) (flat) with 201018C |
| 259375 | 16385 | Spool Rest (for two spools) (flat) with 201018C |
| 150203 | 16385 | Spool Rest Cushion (felt) |
| 250453 | 16385 | " " Rod (lower) |
| 225388 | 16385 | " " " (upper) |
| 250454 | 16385 | " " " Coupling with two 456C |
| 456C | 16385 | " " " " Set Screw |
| 200383C | 16385 | " " " " Set Screw |
| 201018C | 16385 | " " " Set Screw |
| 217E | 16385 | " Screw |
| 259658 | 16385 | " Stand with 200383C |
| 225390 | 16385 | Thread Cone Holder |
| 250472 | 16385 | " Cop Holder |
| 225391 | 16385 | " Guide |
| 201696H | 16385 | " " Lock Nut |
| 225326 | 16385 | " " Position Cup |
| 350192J | 16385 | " " Screw Stud |
| 225393 | 16385 | " " " " Washer |
| 200164B | 16385 | " " Stud Set Screw |
| 225376 | 16385 | Thread Unwinder complete, Nos. 200164B, 201696H, 225326, 225388, 225393, 250453, 250454, 250472, 259374, 259375, 259658, 350192J, three each 150203, 225375, 225390, 225391, 232896, 259373, 259378 and three wood screws 7/8 in., No. 12 |

DRIVING EQUIPMENT

| | | |
|--------|-------|--|
| 228628 | 16388 | Belt, size 5/16 in. diam., length 83 in., with two 25029 |
| 228629 | 16391 | Belt, size 5/16 in. diam., length 57 in., with 25030 |
| 228630 | 16395 | Belt, size 3/8 in. diam., length 120 in., with two 25030 |

ACCESSORIES

| No. | Plate | Name |
|---------|-------|--|
| 228631 | 16388 | Belt, size 3/8 in. diam., length 133 in., with two 25030 |
| 228608 | 16389 | Belt Guard, for Bridgeport Old Style Power Table (trough) and Slinger Universal Power Table (trough), with two wood screws 3/4 in., No. 10 |
| 228610 | 16390 | Belt Guard, for E'port Old Style Power Table (trough), with two wood screws 3/4 in., No. 10 |
| 25029 | 16388 | Belt Hook |
| 25030 | 16388 | " " |
| 228565 | 16387 | " Shifter |
| 228566 | 16387 | " " Lever with 2005260 |
| 228567 | 16387 | " " " Hinge Stud |
| 2003350 | 16387 | " " " " " Set Screw |
| 228632 | 16387 | " " Locking Spring |
| 2005260 | 16387 | " " Set Screw |
| 228618 | 16386 | Buttonhole Cutter Driving Pulley, 4-5/8 in. diam., with 2003420 and 2003470 |
| 228619 | 16386 | Buttonhole Cutter Driving Pulley Driving Pinion, 16 teeth, with 4540 |
| 2117E | 16386 | Buttonhole Cutter Driving Pulley Driving Pinion Pin |
| 4540 | 16386 | Buttonhole Cutter Driving Pulley Driving Pinion Set Screw |
| 2003420 | 16386 | Buttonhole Cutter Driving Pulley Position Screw |
| 2003470 | 16386 | Buttonhole Cutter Driving Pulley Set Screw |
| 228579 | 16386 | Buttonhole Cutter Driving Pulley Shaft |
| 228580 | 16386 | " " " " " |
| | | Bushing with 224392 |
| 224392 | 16386 | Buttonhole Cutter Driving Pulley Shaft Bushing Oil Packing (wick) |
| 3500280 | 16386 | Buttonhole Cutter Driving Pulley Shaft Bushing Set Screw |
| 228620 | 16386 | Buttonhole Cutter Driving Pulley Shaft Gear, 48 teeth, with 448AL |
| 2117E | 16386 | Buttonhole Cutter Driving Pulley Shaft Gear Pin |
| 448AL | 16386 | Buttonhole Cutter Driving Pulley Shaft Gear Set Screw |
| 228593 | 16387 | Counter Shaft (hollow) with 2003700 and 228595 |
| 210833 | 16387 | Counter Shaft Collar with two 2003830 |
| 2003830 | 16387 | " " " Set Screw |
| 228590 | 16387 | " " Driving Pulley (loose), 5 in. diameter |
| 228591 | 16387 | Counter Shaft Driving Pulley (tight), 5 in. diam., with 2003520 and 2003630 |
| 2003520 | 16387 | Counter Shaft Driving Pulley Position Screw |
| 2003630 | 16387 | Counter Shaft Driving Pulley Set Screw |
| 228601 | 16387 | " " Hanger with 2003350 and 202244 |

ACCESSORIES

| No. | Plate | Name |
|---------|-------|---|
| 228588 | 16387 | Counter Shaft Hanger Belt Guard (double) |
| 200002E | 16387 | Counter Shaft Hanger Belt Guard Screw |
| 202244 | 16387 | " " " Oil Packing (wick) |
| 51080R | 16387 | " " " Screw |
| 51046R | 16387 | " " " " |
| 41125R | 16387 | " " " Washer |
| 228602 | 16387 | " " Oil Cup |
| 228594 | 16387 | " " " Packing; Wick |
| 228595 | 16387 | " " " " Wire |
| | | with 228594 |
| 2003700 | 16387 | Counter Shaft Oil Stop Screw |
| 228592 | 16387 | " " Pulley, 5-7/8 in. diam., with 2003520 and 2003630 |
| 2003520 | 16387 | Counter Shaft Pulley Position Screw |
| 2003630 | 16387 | " " " Set Screw |
| 228596 | 16387 | Counter Shaft Hanger complete, for Old Style Power Table and Slinger Universal Power Table, Nos. 51080R, 200002E, 210833, 228565 to 228567, 228588, 228590 to 228593, 228601, 228602, 228632, two 51046R and three 41125R |
| 228573 | 16386 | Driving Attachment Belt Guard with 60884 |
| 60884 | 16386 | Driving Attachment Belt Guard Drain Plug |
| 50075J | 16386 | Driving Attachment Belt Guard Thumb Screw |
| 228574 | 16386 | Driving Attachment Bracket with 11119, 228575 and four 3500280 |
| 228575 | 16386 | Driving Attachment Bracket Oil Cup |
| 15783 | 16386 | " " " " Tube |
| 11119 | 16386 | " " " " " |
| | | 15783 with 52045 |
| 52045 | 16386 | Driving Attachment Bracket Oil Tube Packing (cotton) |
| 51046R | 16386 | Driving Attachment Bracket Screw |
| 41125R | 16386 | " " " " Washer |
| 228624 | 16386 | " Pulley, 6 in. diam., with 2003740 and 2003960 |
| 2003960 | 16386 | Driving Pulley Position Screw |
| 2003740 | 16386 | " " Set Screw |
| 228625 | 16386 | " " Shaft |
| 228571 | 16386 | " " " Bushing with 202260 |
| 202260 | 16386 | " " " " Oil Packing (wick) |
| 3500280 | 16386 | Driving Pulley Shaft Bushing Set Screw |
| 228626 | 16386 | " " " Collar with two 2003780 |
| 2003780 | 16386 | Driving Pulley Shaft Collar Set Screw |
| 228621 | 16386 | Machine Driving Pulley (loose), 3-1/8 in. diameter |
| 228622 | 16386 | Machine Driving Pulley Clutch |
| 214179 | 16386 | " " " Roller |

ACCESSORIES

| No. | Plate | Name |
|---------|-------|---|
| 214181 | 16386 | Machine Driving Pulley Clutch Roller Spring |
| 214180 | 16386 | Machine Driving Pulley Clutch Roller Spring Plunger |
| 2000500 | 16386 | Machine Driving Pulley Clutch Screw |
| 228623 | 16386 | " " " Collar with two 2003640 |
| 2003640 | 16386 | Machine Driving Pulley Collar Set Screw |
| 228627 | 16386 | Driving Attachment complete, Nos. 50075J, 228573, 228574, 228579, 228580, 228618 to 228626, two each 2117E, 228571, three each 41125R, 51046R, 2000500 and 214179 to 214181 |
| 228578 | 16386 | Driving Attachment and Idler complete, Nos. 228587 and 228627 |
| 234342 | 16388 | Front Plank Extension (back) with two wood screws 1-1/2 in., No. 10, (for flat table) |
| 234349 | 16395 | Front Plank Extension (back) with four wood screws 1-1/2 in., No. 10, for Singer Universal Safety Power Table (flat) |
| 234350 | 16396 | Front Plank Extension (back) with six wood screws 1-1/2 in., No. 10, for Singer Universal Safety Power Table (trough) |
| 234344 | 16388 | Front Plank Extension (front) with two wood screws 2-1/4 in., No. 12 and three wood screws 1-3/4 in., No. 12 |
| 228581 | 16386 | Idler Pulley |
| 228643 | 16386 | " " Belt Guard with 200526C |
| 200526C | 16386 | " " " " Set Screw |
| 228644 | 16386 | " " Bracket with 200526C |
| 200019E | 16386 | " " " " Screw |
| 228584 | 16386 | " " Shaft with 228586 |
| 228602 | 16386 | " " " Oil Cup |
| 228585 | 16386 | " " " " Wick |
| 228586 | 16386 | " " " " " Wire with 228585 |
| 200526C | 16386 | Idler Pulley Shaft Set Screw |
| 228587 | 16386 | Idler complete, Nos. 228584, 228602, 228644, two each 228581, 228643 and three 200019E |
| 150611 | 16388 | Shaft Pulley (sectional, grooved) pressed steel, flat type, rolled edge, 8 in. diam., 1-3/16 in. bore, with two 731N |
| 731N | 16388 | Shaft Pulley Clamping Screw |
| 150027 | 16394 | Starting Device Bracket with two wood screws 1-1/4 in., No. 14 |
| 150028 | 16394 | Starting Device Handle |
| 27638 | 16394 | " " " Spring |
| 23250 | 16394 | " " " Washer |
| 126888 | 16394 | " " " Collar with 217F |

ACCESSORIES

| No. | Plate | Name |
|--------|-------|---|
| 217F | 16394 | Starting Device Handle Spring Collar Set Screw |
| 126955 | 16394 | Starting Device Rod |
| 126888 | 16394 | " " " Collar with 217F |
| 217F | 16394 | " " " " Set Screw |
| 126890 | 16394 | Starting Device complete, Nos. 27638, 126955, 150027, 150028, two 23250 and three 126888 |
| 150183 | 16394 | Table Belt Guide Bracket with 795C |
| 50285R | 16394 | " " " " Bolt |
| 126841 | 16394 | " " " " " Clamping Plate |
| 126846 | 16394 | Table Belt Guide Bracket Bolt Nut Lock Washer |
| 12620 | 16394 | Table Belt Guide Bracket Bolt Washer |
| 126750 | 16394 | " " " Pulley with 126752 |
| 126868 | 16394 | " " " " Shaft |
| 126752 | 16394 | " " " " Bushing |
| 126869 | 16394 | " " " " " Collar with 1448AL |
| 1448AL | 16394 | Table Belt Guide Pulley Shaft Collar Set Screw |
| 795C | 16394 | Table Belt Guide Pulley Shaft Set Screw |
| 150184 | 16394 | Table Belt Guide Pulley Shaft Support Bracket with two wood screws 1 in., No. 12, F.H. |
| 126870 | 16394 | Table Belt Guide complete, Nos. 12620, 50285R, 126841, 126846, 126868, 150183, 150184, two each 126750 and 126869 |
| 126715 | 16395 | Transmitter Pulley (sectional, grooved) sheet metal, 5-1/4 in. diameter |
| 228599 | 16388 | Driving Equipment complete, for Old Style or Singer Universal Power Table (flat) Nos. 150611, 228578, 228596, 228628, 228631, 234342, 234344 and blue print template |
| 228605 | 16391 | Driving Equipment complete, for individual Motor Table Nos. 228627 to 228629 |
| 228609 | 16389 | Driving Equipment complete, for Bridgeport Old Style Power Table (trough) or Singer Universal Power Table (trough), Nos. 150611, 228578, 228596, 228608, 228628, 228631, 234344 and blue print template |
| 228611 | 16390 | Driving Equipment complete, for E'port Old Style Power Table (trough), Nos. 150611, 228578, 228596, 228610, 228628, 228631, 234344 and blue print template |
| 228612 | 16392 | Driving Equipment complete, for Power Table (flat) with Electric Transmitter Motor Nos. 228627 to 228629, 234342, 234344 and blue print template |

| No. | Plate | Name |
|--------|-------|---|
| 228613 | 16393 | Driving Equipment complete, for E'port Power Table (trough) with Electric Transmitter Motor Nos. 228610, 228627 to 228629, 234344 and blue print template |
| 228645 | 16395 | Driving Equipment complete, for Singer Universal Safety Power Table (flat), Nos. 126715, 126870, 126890, 228627, 228628, 228630, 234349 and blue print template |
| 228646 | 16396 | Driving Equipment complete, for Singer Universal Safety Power Table (trough), Nos. 126715, 126870, 126890, 228627, 228628, 228630, 234350 and blue print template |

BUTTONHOLE CUTTING BLOCKS

| | | |
|--------|-------|---|
| 256175 | 17424 | Buttonhole Cutting Block (steel) 5/8 in. (eye or taper bar) |
| 256104 | 17424 | Buttonhole Cutting Block (steel) 3/4 in. (eye or taper bar) |
| 256105 | 17424 | Buttonhole Cutting Block (steel) 7/8 in. (eye or taper bar) |
| 256106 | 17424 | Buttonhole Cutting Block (steel) 1 in. (eye or taper bar) |
| 256107 | 17424 | Buttonhole Cutting Block (steel) 1-1/8 in. (eye or taper bar) |
| 256108 | 17424 | Buttonhole Cutting Block (steel) 1-1/4 in. (eye or taper bar) |
| 256109 | 17424 | Buttonhole Cutting Block (steel) 1-3/8 in. (eye or taper bar) |
| 256110 | 17424 | Buttonhole Cutting Block (steel) 1-1/2 in. (eye or taper bar) |
| 256111 | 17424 | Buttonhole Cutting Block (steel) 1-5/8 in. (eye or taper bar) |
| 256112 | 17424 | Buttonhole Cutting Block (steel) 5/8 in. (straight) |
| 256113 | 17424 | Buttonhole Cutting Block (steel) 3/4 in. (straight) |
| 256176 | 17424 | Buttonhole Cutting Block (steel) 7/8 in. (straight) |
| 256114 | 17424 | Buttonhole Cutting Block (steel) 1 in. (straight) |
| 256115 | 17424 | Buttonhole Cutting Block (steel) 1-1/8 in. (straight) |
| 256116 | 17424 | Buttonhole Cutting Block (steel) 1-1/4 in. (straight) |
| 256117 | 17424 | Buttonhole Cutting Block (steel) 1-3/8 in. (straight) |

| No. | Plate | Name |
|--------|-------|---|
| 256118 | 17424 | Buttonhole Cutting Block (steel) 1-1/2 in. (straight) |
| 256119 | 17424 | Buttonhole Cutting Block (steel) 1-5/8 in. (straight) |

BUTTONHOLE CUTTING KNIVES

| | | |
|--------|-------|--|
| 256120 | 17424 | Buttonhole Cutting Knife (.100 x .180 eye) |
| 256123 | 17424 | Buttonhole Cutting Knife (.126 x .180 eye) |
| 256121 | 17424 | Buttonhole Cutting Knife (.126 x .200 eye) |
| 256122 | 17424 | Buttonhole Cutting Knife (straight) |

PATTERN WHEELS

FOR MAKING EYELET END BUTTONHOLES, WITH LARGE EYE (adjustable)

| | | |
|--------|-------|--|
| 256125 | 17402 | Pattern Wheel, 5/8 to 7/8 in., complete, Nos. 252292, 256124, two each 203E, 250372 and three 391D |
| 256133 | 17405 | Pattern Wheel, 5/8 to 7/8 in., complete, Nos. 252292, 256132, three each 203E, 391D and 250372 |
| 256127 | 17402 | Pattern Wheel, 7/8 to 1-1/8 in., complete, Nos. 251426, 256126, two each 203E, 250372 and three 391D |
| 256135 | 17405 | Pattern Wheel, 7/8 to 1-1/8 in., complete, Nos. 251426, 256134, three each 203E, 391D and 250372 |
| 256129 | 17402 | Pattern Wheel, 1-1/8 to 1-3/8 in., complete, Nos. 251428, 256128, two each 203E, 250372 and three 391D |
| 256137 | 17405 | Pattern Wheel, 1-1/8 to 1-3/8 in., complete, Nos. 251428, 256136, three each 203E, 391D and 250372 |
| 256131 | 17402 | Pattern Wheel, 1-3/8 to 1-5/8 in., complete, Nos. 256130, 256173, two each 203E, 250372 and three 391D |
| 256139 | 17405 | Pattern Wheel, 1-3/8 to 1-5/8 in., complete, Nos. 256138, 256173, three each 203E, 391D and 250372 |

FOR MAKING EYELET END BUTTONHOLES,
WITH MEDIUM EYE (adjustable)

| No. | Plate | Name |
|--------|-------|--|
| 256125 | 17402 | Pattern Wheel, 5/8 to 7/8 in., complete, Nos. 252292, 256124, two each 203E, 250372 and three 391D |
| 256127 | 17402 | Pattern Wheel, 7/8 to 1-1/8 in., complete, Nos. 251426, 256126, two each 203E, 250372 and three 391D |
| 256129 | 17402 | Pattern Wheel, 1-1/8 to 1-3/8 in., complete, Nos. 251428, 256128, two each 203E, 250372 and three 391D |
| 256131 | 17402 | Pattern Wheel, 1-3/8 to 1-5/8 in., complete, Nos. 256130, 256173, two each 203E, 250372 and three 391D |

FOR MAKING STRAIGHT BUTTONHOLES
(adjustable)

| | | |
|--------|-------|--|
| 256133 | 17405 | Pattern Wheel, 5/8 to 7/8 in., complete, Nos. 252292, 256132, three each 203E, 391D and 250372 |
| 256135 | 17405 | Pattern Wheel, 7/8 to 1-1/8 in., complete, Nos. 251426, 256134, three each 203E, 391D and 250372 |
| 256137 | 17405 | Pattern Wheel, 1-1/8 to 1-3/8 in., complete, Nos. 251428, 256136, three each 203E, 391D and 250372 |
| 256139 | 17405 | Pattern Wheel, 1-3/8 to 1-5/8 in., complete, Nos. 256138, 256173, three each 203E, 391D and 250372 |

FOR MAKING EYELET END BUTTONHOLES,
WITH MEDIUM EYE AND TAPER BAR

| | | |
|--------|-------|---|
| 256141 | 17429 | Pattern Wheel, 5/8 in., complete, bar adjustable from 1/8 to 3/8 in., Nos. 251425, 256140, two each 203E, 250372 and three 391D |
| 256143 | 17429 | Pattern Wheel, 3/4 in., complete, bar adjustable from 1/8 to 3/8 in., Nos. 251426, 256142, two each 203E, 250372 and three 391D |
| 256145 | 17429 | Pattern Wheel, 7/8 in., complete, bar adjustable from 1/8 to 3/8 in., Nos. 251427, 256144, two each 203E, 250372 and three 391D |

| No. | Plate | Name |
|--------|-------|---|
| 256147 | 17429 | Pattern Wheel, 1 in., complete, bar adjustable from 1/8 to 3/8 in., Nos. 251428, 256146, two each 203E, 250372 and three 391D |
| 256149 | 17429 | Pattern Wheel, 1-1/8 in., complete, bar adjustable from 1/8 to 3/8 in., Nos. 256148, 256174, two each 203E, 250372 and three 391D |
| 256151 | 17429 | Pattern Wheel, 1-1/4 in., complete, bar adjustable from 1/8 to 3/8 in., Nos. 256150, 256173, two each 203E, 250372 and three 391D |
| 256153 | 17429 | Pattern Wheel, 1-3/8 in., complete, bar adjustable from 1/8 to 1/4 in., Nos. 256152, 256173, two each 203E, 250372 and three 391D |
| 256155 | 17429 | Pattern Wheel, 1-1/2 in., complete, 1/8 in. adjustable bar, Nos. 256154, 256173, two each 203E, 250372 and three 391D |

FOR MAKING EYELET END BUTTONHOLES,
WITH LARGE EYE AND TAPER BAR

| | | |
|--------|-------|---|
| 256157 | 17430 | Pattern Wheel, 1/8 in., complete, bar adjustable from 1/8 to 3/8 in., Nos. 250732, 251425, 256156, two 175E, three each 203E, 391D and 250372 |
| 256159 | 17430 | Pattern Wheel, 3/4 in., complete, bar adjustable from 1/8 to 3/8 in., Nos. 251426, 253444, 256158, two 175E, three each 203E, 391D and 250372 |
| 256161 | 17430 | Pattern Wheel, 7/8 in., complete, bar adjustable from 1/8 to 3/8 in., Nos. 251427, 253444, 256160, two 175E, three each 203E, 391D and 250372 |
| 256163 | 17430 | Pattern Wheel, 1 in., complete, bar adjustable from 1/8 to 3/8 in., Nos. 251428, 253444, 256162, two 175E, three each 203E, 391D and 250372 |
| 256165 | 17430 | Pattern Wheel, 1-1/8 in., complete, bar adjustable from 1/8 to 3/8 in., Nos. 253444, 256164, 256174, two 175E, three each 203E, 391D and 250372 |
| 256167 | 17430 | Pattern Wheel, 1-1/4 in., complete, bar adjustable from 1/8 to 3/8 in., Nos. 253444, 256166, 256173, two 175E, three each 203E, 391D and 250372 |
| 256169 | 17430 | Pattern Wheel, 1-3/8 in., complete, bar adjustable from 1/8 to 1/4 in., Nos. 253444, 256168, 256173, two 175E, three each 203E, 391D and 250372 |

PATTERN WHEELS

| No. | Plate | Name |
|--------|-------|--|
| 256171 | 17430 | Pattern Wheel, 1-1/2 in. complete, 1/8 in. adjustable bar, Nos. 253444, 256170, 256173, two 175E, three each 203E, 391D and 250372 |
| 256124 | 17402 | Pattern Wheel (adjustable), for buttonholes from 5/8 to 7/8 in. (large and medium eye) with 256205 and two 205D, for 256125 |
| 256132 | 17405 | Pattern Wheel (adjustable), for buttonholes from 5/8 to 7/8 in. (large eye and straight), for 256133 |
| 256126 | 17402 | Pattern Wheel (adjustable), for buttonholes from 7/8 to 1-1/8 (large and medium eye) with 256205 and two 205D, for 256127 |
| 256134 | 17405 | Pattern Wheel (adjustable), for buttonholes from 7/8 to 1-1/8 in. (large eye and straight), for 256135 |
| 256128 | 17402 | Pattern Wheel (adjustable), for buttonholes from 1-1/8 to 1-3/8 in. (large and medium eye) with 256205 and two 205D, for 256129 |
| 256136 | 17405 | Pattern Wheel (adjustable), for buttonholes from 1-1/8 to 1-3/8 in. (large eye and straight), for 256137 |
| 256130 | 17402 | Pattern Wheel (adjustable), for buttonholes from 1-3/8 to 1-5/8 in. (large and medium eye) with 256205 and two 205D, for 256131 |
| 256138 | 17405 | Pattern Wheel (adjustable), for buttonholes from 1-3/8 to 1-5/8 in., (large eye and straight), for 256139 |
| 256140 | 17429 | Pattern Wheel, for 5/8 in. Taper Bar (medium eye) Buttonhole, bar adjustable from 1/8 to 3/8 in., with 256205 and two 205D, for 256141 |
| 256142 | 17429 | Pattern Wheel, for 3/4 in. Taper Bar (medium eye) Buttonhole, bar adjustable from 1/8 to 3/8 in., with 256205 and two 205D, for 256143 |
| 256144 | 17429 | Pattern Wheel, for 7/8 in. Taper Bar (medium eye) Buttonhole, bar adjustable from 1/8 to 3/8 in., with 256205 and two 205D, for 256145 |
| 256146 | 17429 | Pattern Wheel, for 1 in. Taper Bar (medium eye) Buttonhole, bar adjustable from 1/8 to 3/8 in., with 256205 and two 205D, for 256147 |
| 256148 | 17429 | Pattern Wheel, for 1-1/8 in. Taper Bar (medium eye) Buttonhole, bar adjustable from 1/8 to 3/8 in., with 256205 and two 205D, for 256149 |
| 256150 | 17429 | Pattern Wheel, for 1-1/4 in. Taper Bar (medium eye) Buttonhole, bar adjustable from 1/8 to 3/8 in., with 256205 and two 205D, for 256151 |

PATTERN WHEELS

| No. | Plate | Name |
|--------|-------|--|
| 256152 | 17429 | Pattern Wheel, for 1-3/8 in. Taper Bar (medium eye) Buttonhole, bar adjustable from 1/8 to 1/4 in., with 256205 and two 205D, for 256153 |
| 256154 | 17429 | Pattern Wheel, for 1-1/2 in. Taper Bar (medium eye) Buttonhole, 1/8 in. adjustable bar, with 256205 and two 205D, for 256155 |
| 256156 | 17430 | Pattern Wheel, for 5/8 in. Taper Bar (large eye) Buttonhole, bar adjustable from 1/8 to 3/8 in., for 256157 |
| 256158 | 17430 | Pattern Wheel, for 3/4 in. Taper Bar (large eye) Buttonhole, bar adjustable from 1/8 to 3/8 in., for 256159 |
| 256160 | 17430 | Pattern Wheel, for 7/8 in. Taper Bar (large eye) Buttonhole, bar adjustable from 1/8 to 3/8 in., for 256161 |
| 256162 | 17430 | Pattern Wheel, for 1 in. Taper Bar (large eye) Buttonhole, bar adjustable from 1/8 to 3/8 in., for 256163 |
| 256164 | 17430 | Pattern Wheel, for 1-1/8 in. Taper Bar (large eye) Buttonhole, bar adjustable from 1/8 to 3/8 in., for 256165 |
| 256166 | 17430 | Pattern Wheel, for 1-1/4 in. Taper Bar (large eye) Buttonhole, bar adjustable from 1/8 to 3/8 in., for 256167 |
| 256168 | 17430 | Pattern Wheel, for 1-3/8 in. Taper Bar (large eye) Buttonhole, bar adjustable from 1/8 to 1/4 in., for 256169 |
| 256170 | 17430 | Pattern Wheel, for 1-1/2 in. Taper Bar (large eye) Buttonhole, 1/8 in. adjustable bar, for 256171 |
| 253444 | 17430 | Pattern Wheel Cam Block, for 256159, 256161, 256163, 256165, 256167, 256169 and 256171 |
| 250732 | 17430 | Pattern Wheel Cam Block, for 256157 |
| 175E | 17430 | " " " " Screw |
| 256205 | 17402 | " " Position Plate |
| 205D | 17402 | " " " " Screw |
| 250372 | 17402 | " " Rapid Feed Trip Point |
| 203E | 17402 | " " " " " " Screw |
| 252258 | 17402 | " " Ring, for 252292 |
| 252292 | 17402 | " " " 252258 with 252275, 252276, two each 211E and 250444, for 256125 and 256133 |
| 251494 | 17402 | Pattern Wheel Ring; |
| 251426 | 17402 | " " " 251494 with 252662, 252663, two each 211E and 250444, for 256127, 256135, 256143 and 256159 |
| 251496 | 17402 | Pattern Wheel Ring, for 251428 |
| 251428 | 17402 | " " " 251496 with 252662, 252663, two each 211E and 250444, for 256129, 256137, 256147 and 256163 |
| 252265 | 17402 | Pattern Wheel Ring, for 256173 |

PATTERN WHEELS

| No. | Plate | Name |
|--------|-------|--|
| 256173 | 17402 | Pattern Wheel Ring 252265 with 252662, 252663, two each 211E and 250444, for 256131, 256139, 256151, 256153, 256155, 256167, 256169 and 256171 |
| 251493 | 17429 | Pattern Wheel Ring, for 251425 |
| 251425 | 17429 | " " " 251493 with 252662, 252663, two each 211E and 250444, for 256141 and 256157 |
| 251495 | 17429 | Pattern Wheel Ring, for 251427 |
| 251427 | 17429 | " " " 251495 with 252662, 252663, two each 211E and 250444, for 256145 and 256161 |
| 252264 | 17429 | Pattern Wheel Ring, for 256174 |
| 256174 | 17429 | " " " 252264 with 252662, 252663, two each 211E and 250444, for 256149 and 256165 |
| 252662 | 17402 | Pattern Wheel Ring Adjusting Segment (curved rise) |
| 252275 | 17402 | Pattern Wheel Ring Adjusting Segment (curved rise) |
| 252663 | 17402 | Pattern Wheel Ring Adjusting Segment (straight drop) |
| 252276 | 17402 | Pattern Wheel Ring Adjusting Segment (straight drop) |
| 211E | 17402 | Pattern Wheel Ring Adjusting Segment Screw |
| 250444 | 17402 | Pattern Wheel Ring Adjusting Segment Screw Washer |
| 391D | 17402 | Pattern Wheel Ring Screw |

SHAFT PULLEYS

| | | |
|--------|-------|--|
| 27271 | ----- | Shaft Pulley (sectional, grooved), 4 in. diam., 1-3/16 in. bore, with two 597C |
| 232920 | ----- | Shaft Pulley (sectional, grooved), 4-1/2 in. diam., 1-3/16 in. bore, with two 597C |
| 27065 | ----- | Shaft Pulley (sectional, grooved), 5 in. diam., 1-3/16 in. bore, with two 597C |
| 232879 | ----- | Shaft Pulley (sectional, grooved), 5-1/2 in. diam., 1-3/16 in. bore, with two 597C |
| 27066 | ----- | Shaft Pulley (sectional, grooved), 6 in. diam., 1-3/16 in. bore, with two 597C |
| 232880 | ----- | Shaft Pulley (sectional, grooved), 6-1/2 in. diam., 1-3/16 in. bore, with two 597C |
| 27067 | ----- | Shaft Pulley (sectional, grooved), 7 in. diam., 1-3/16 in. bore, with two 597C |
| 232881 | ----- | Shaft Pulley (sectional, grooved), 7-1/2 in. diam., 1-3/16 in. bore, with two 597C |

SHAFT PULLEYS

| No. | Plate | Name |
|--------|-------|--|
| 150611 | 16388 | Shaft Pulley (sectional, grooved) pressed steel, flat type, rolled edge, 8 in. diam., 1-3/16 in. bore, with two 731N |
| 731N | 16388 | Shaft Pulley Clamping Screw |
| 232882 | ----- | Shaft Pulley (sectional, grooved), 8-1/2 in. diam., 1-3/16 in. bore, with two 597C |
| 150614 | 16388 | Shaft Pulley (sectional, grooved) pressed steel, flat type, rolled edge, 9 in. diam., 1-3/16 in. bore, with two 731N |
| 597C | ----- | Shaft Pulley Clamping Screw |
| 232883 | ----- | Shaft Pulley (sectional, grooved), 9-1/2 in. diam., 1-3/16 in. bore, with two 597C |
| 27070 | ----- | Shaft Pulley (sectional, grooved), 10 in. diam., 1-3/16 in. bore, with two 597C |
| 27072 | ----- | Shaft Pulley (sectional, grooved), 12 in. diam., 1-3/16 in. bore, with two 597C |
| 27074 | ----- | Shaft Pulley (sectional, grooved), 14 in. diam., 1-3/16 in. bore, with two 597C |
| 27075 | ----- | Shaft Pulley (sectional, grooved), 15 in. diam., 1-3/16 in. bore, with two 597C |

SINGER KNIFE TRUING FIXTURE

| | | |
|--------|-------|--|
| 232870 | 16401 | Base with 448AL |
| 232871 | 16401 | " 232870 with 59D, 232872 and 232876 |
| 232872 | 16401 | Knife Clamping Lever |
| 59D | 16401 | " " " Hinge Screw |
| 232873 | 16401 | Oil Stone |
| 232874 | 16401 | " " Bracket with three 448AL |
| 232875 | 16401 | " " " 232874 with 232873 and 232877 |
| 232876 | 16401 | Oil Stone Bracket Shaft |
| 448AL | 16401 | " " " " Set Screw |
| 448AL | 16401 | " " " " Set Screw |
| 232877 | 16401 | " " " " Friction Gib |
| 232878 | 16401 | Singer Knife Truing Fixture complete, Nos. 232871 and 232875 |

THREAD LUBRICATING CUP

| No. | Plate | Name |
|--------|-------|---|
| 250518 | 16431 | Thread Lubricating Cup with 171E, 250519 and 250520 |
| 250519 | 16431 | Thread Lubricating Cup Oil Pad |
| 171E | 16431 | " " " Pinch Screw |
| 250520 | 16431 | " " " Thread Guide |

SINGER Needles should be used in SINGER Machines. These Needles and their Containers are marked with the Company's Trade Mark "SIMANCO.**" 1

Needles in Containers marked "FOR SINGER MACHINES" are NOT SINGER made needles. 2

16348 - 1/4

250105

232709 200100E 202260 232488 232002 232003 1500

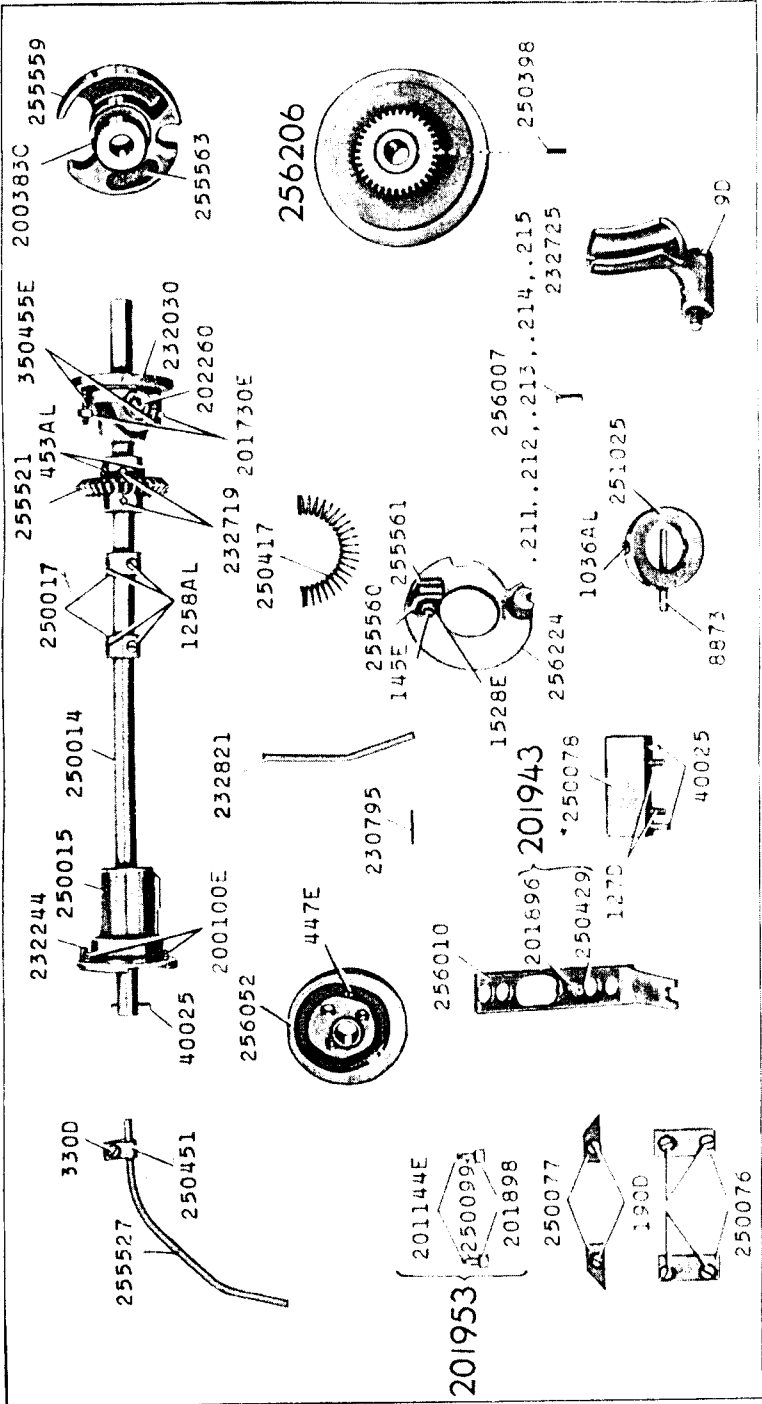
222598 200394C 200392C 40025 232490 232459 4534L-202260 200341C 200340E 204235 250002 2001100

250106 232178 232520

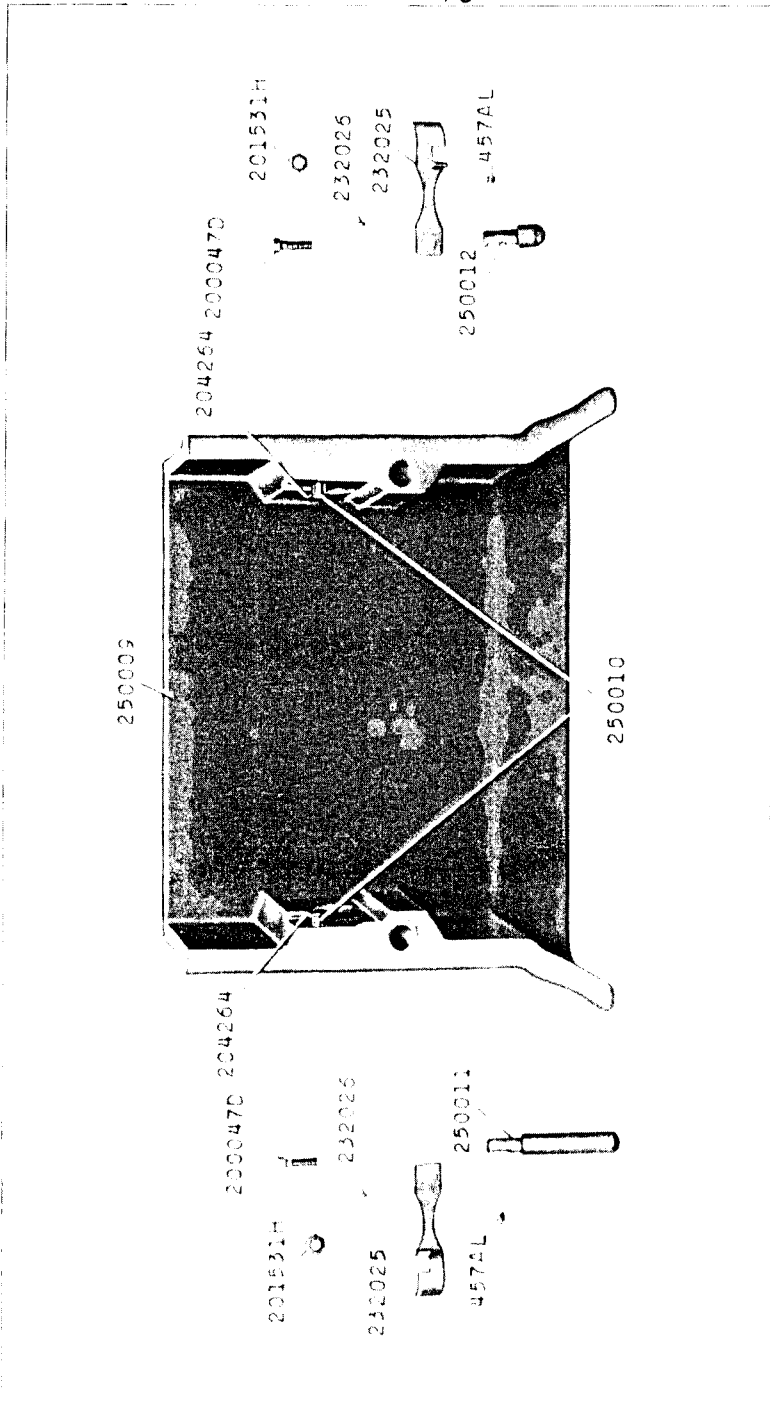
39530 16710 250076C 255125 350282C 7410 250140 250143 250142 175E 201490 16970 16980 1636E

7071 256199 200076C 38446 500160 175E

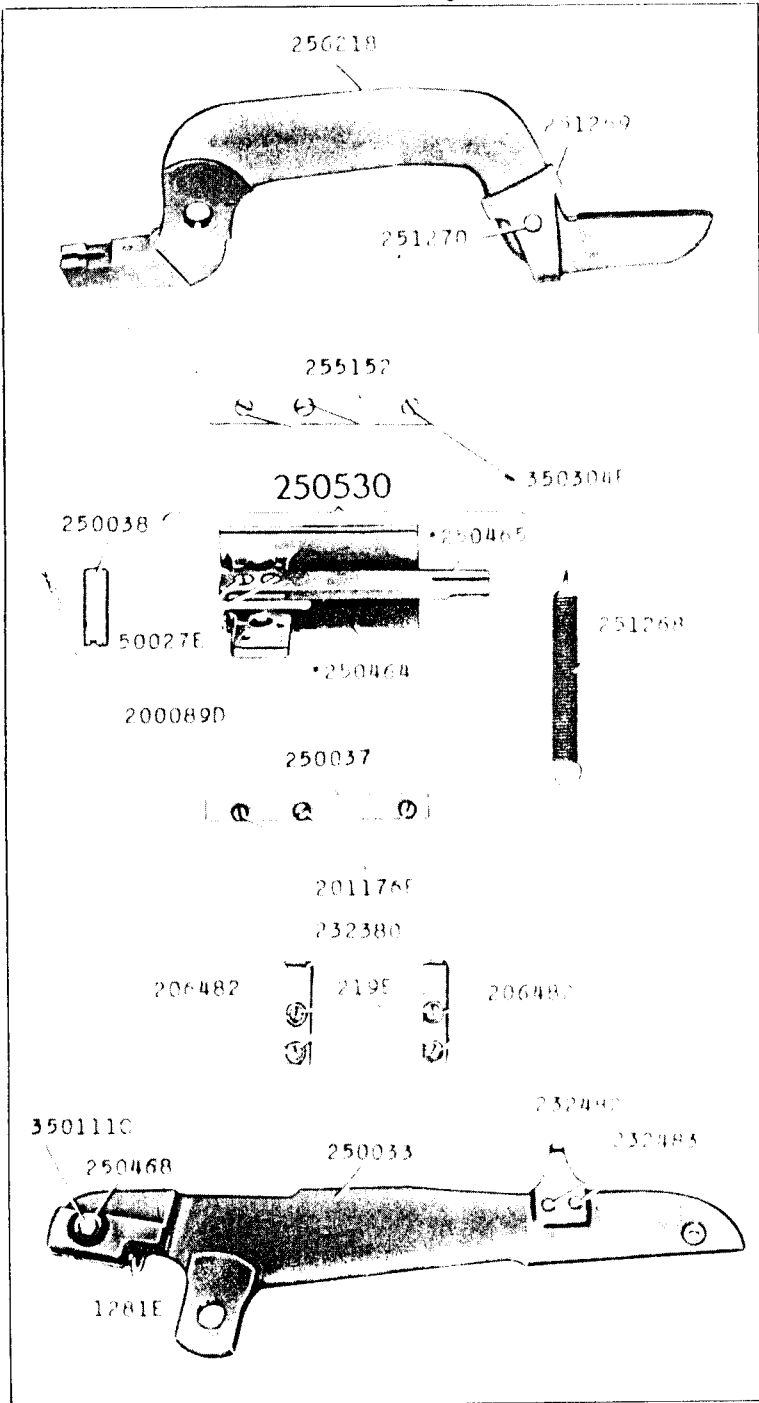
16349 - 1/4



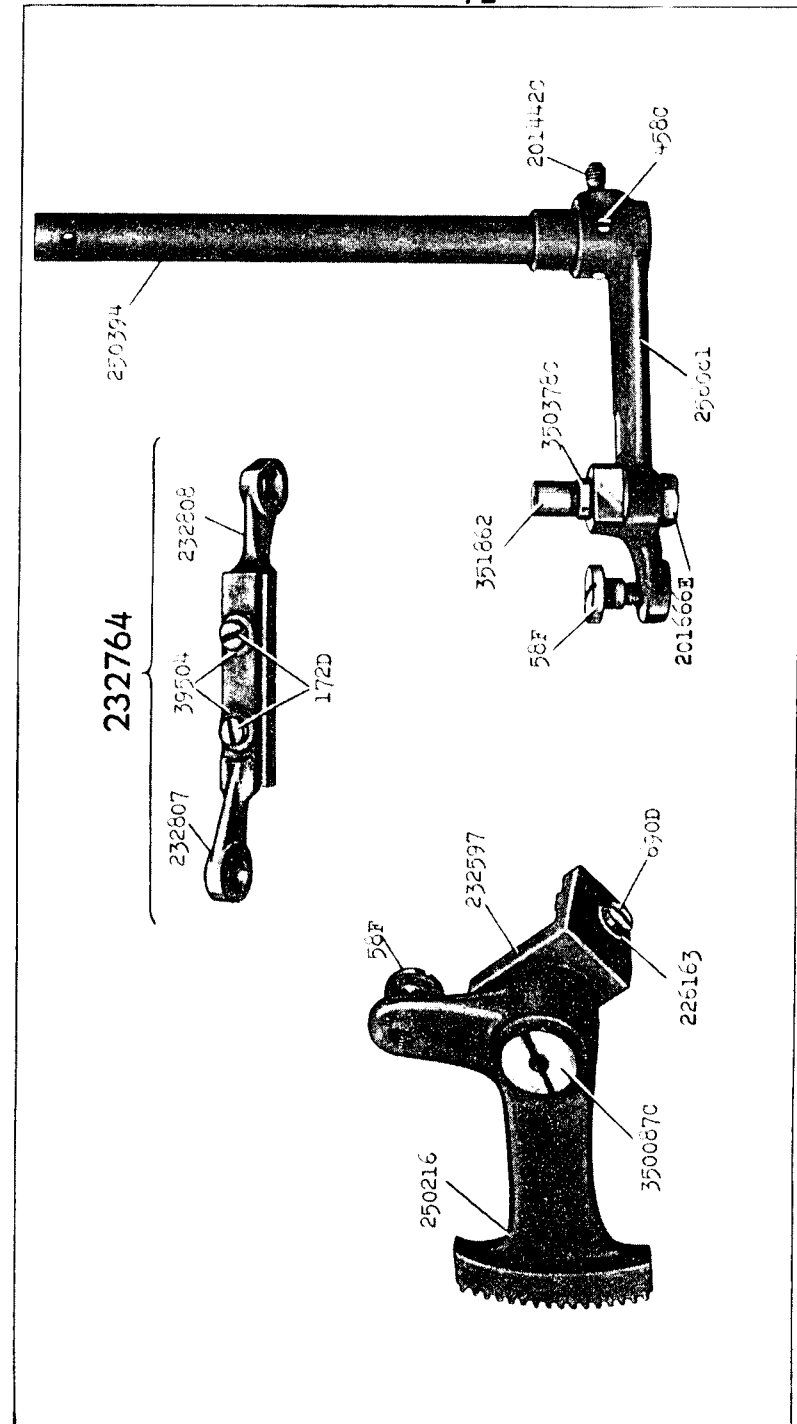
16350 - 1/3



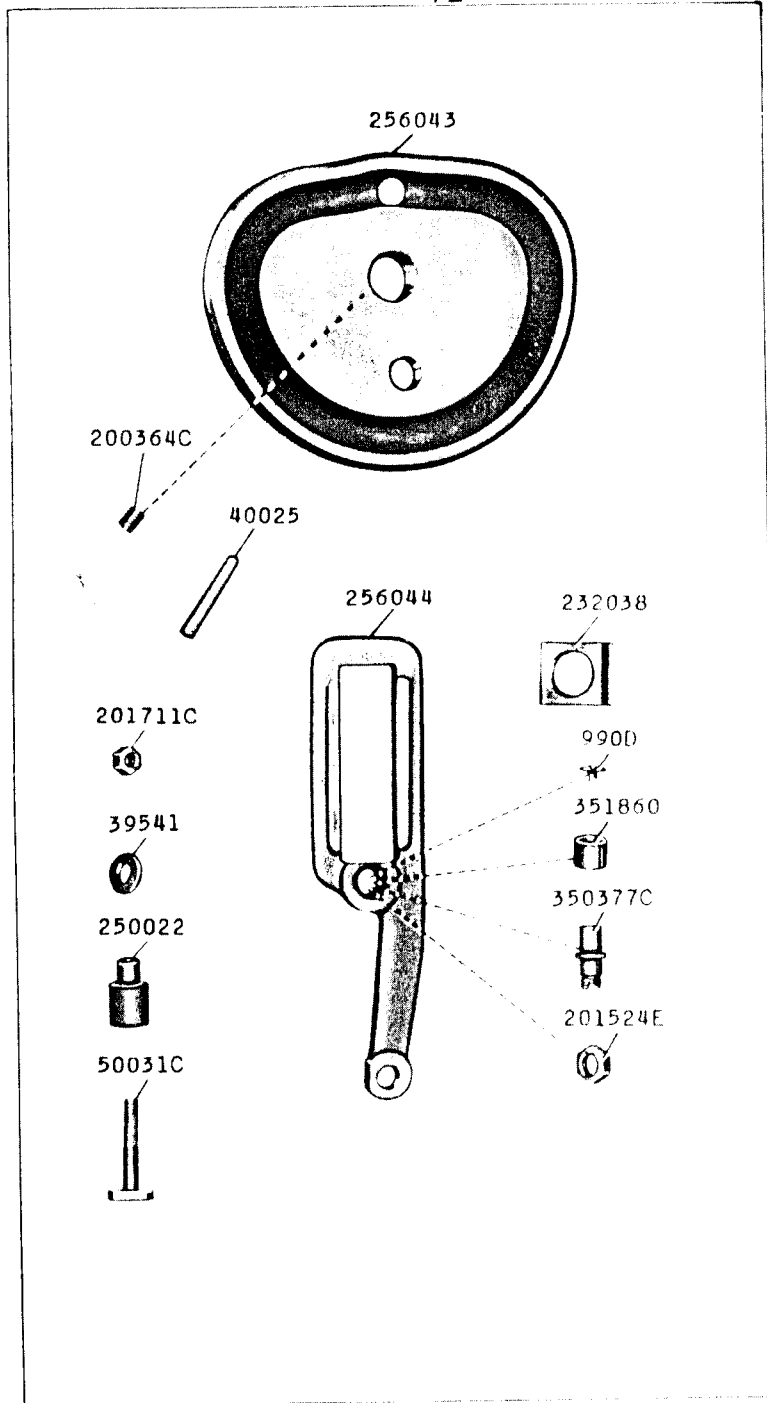
16351 - 1/3



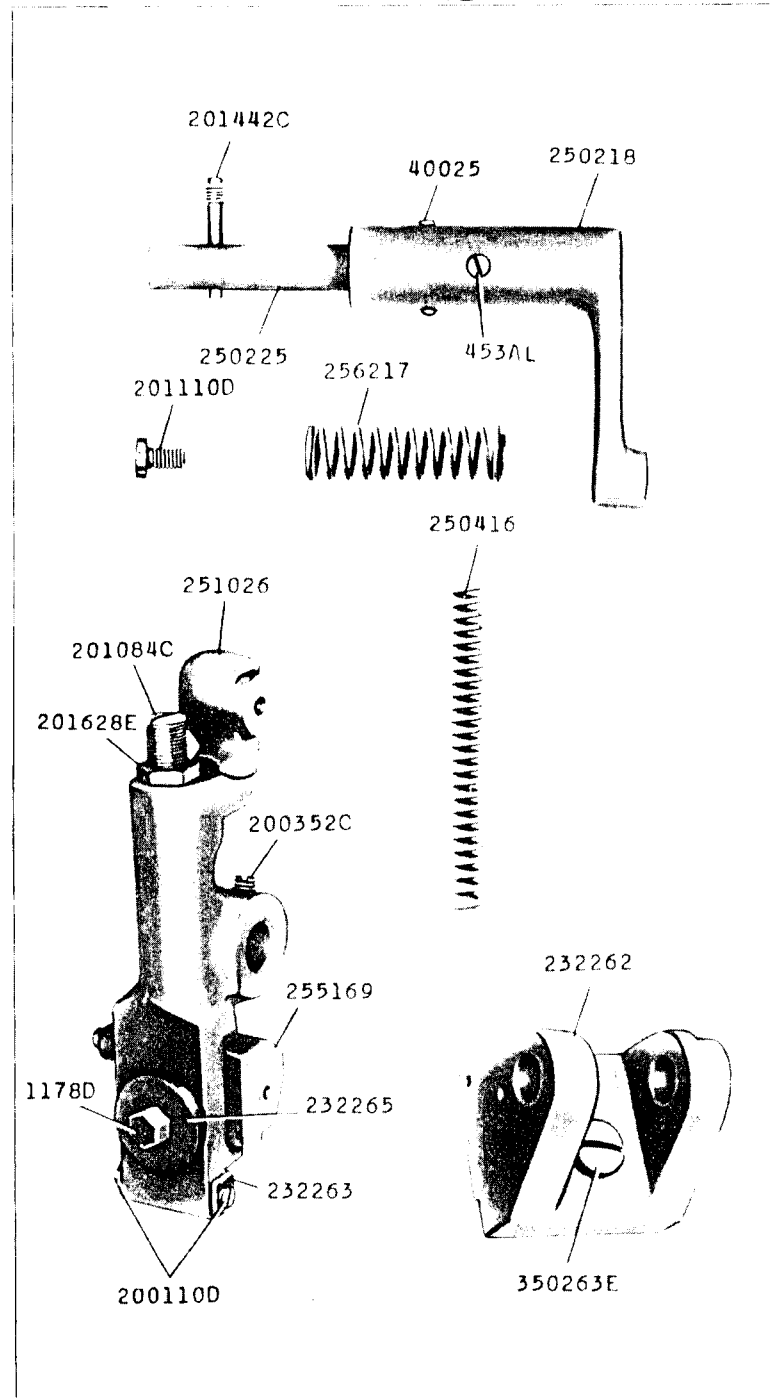
16355 - 1/2



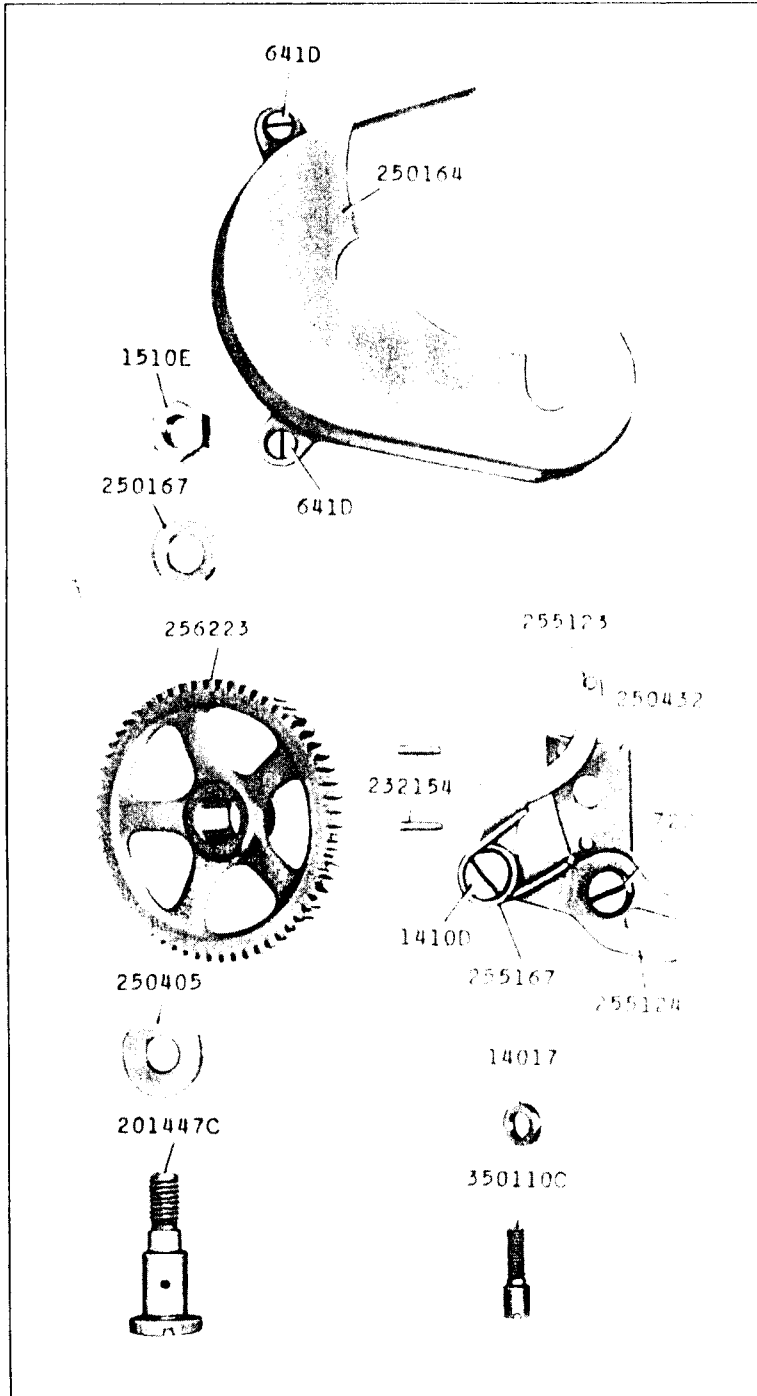
16356 - 1/2



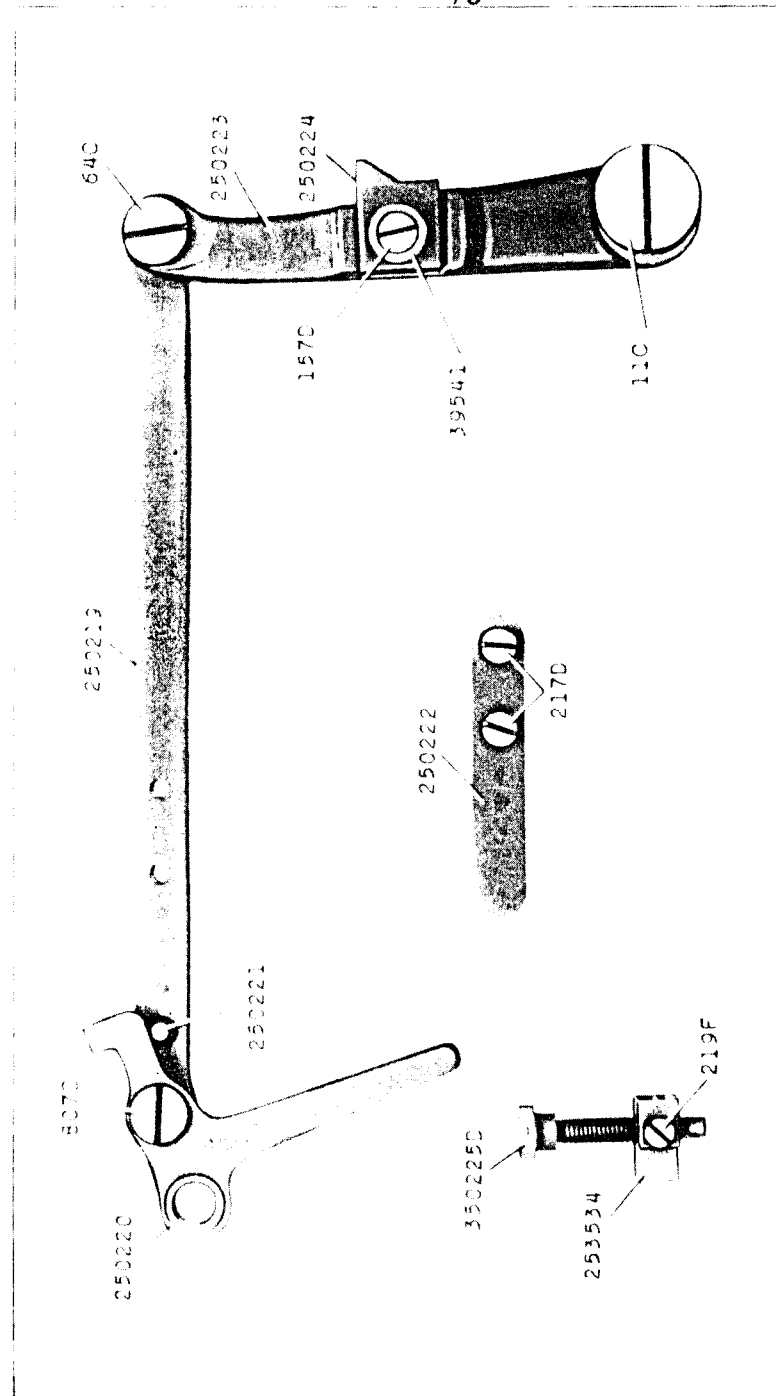
16363 - 1/2



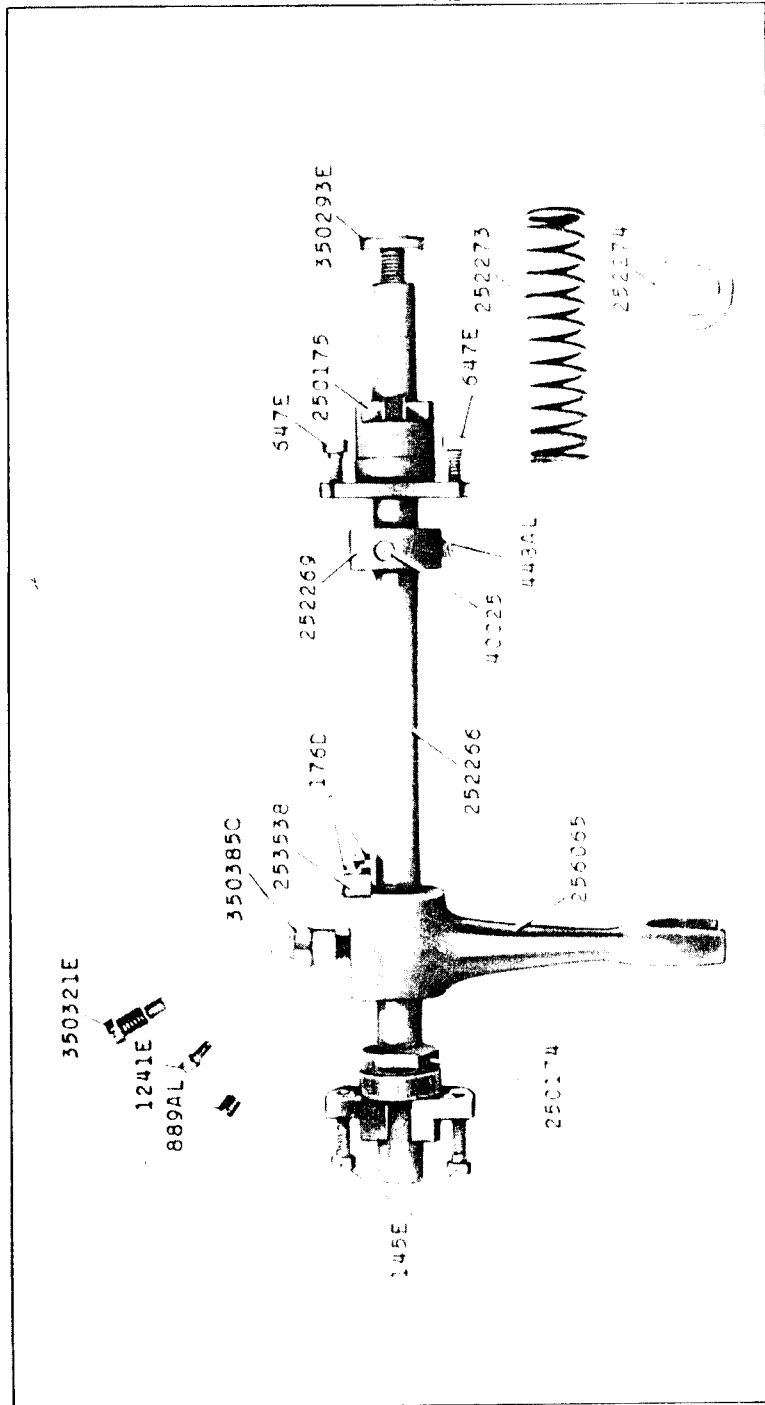
16364 - 1/2



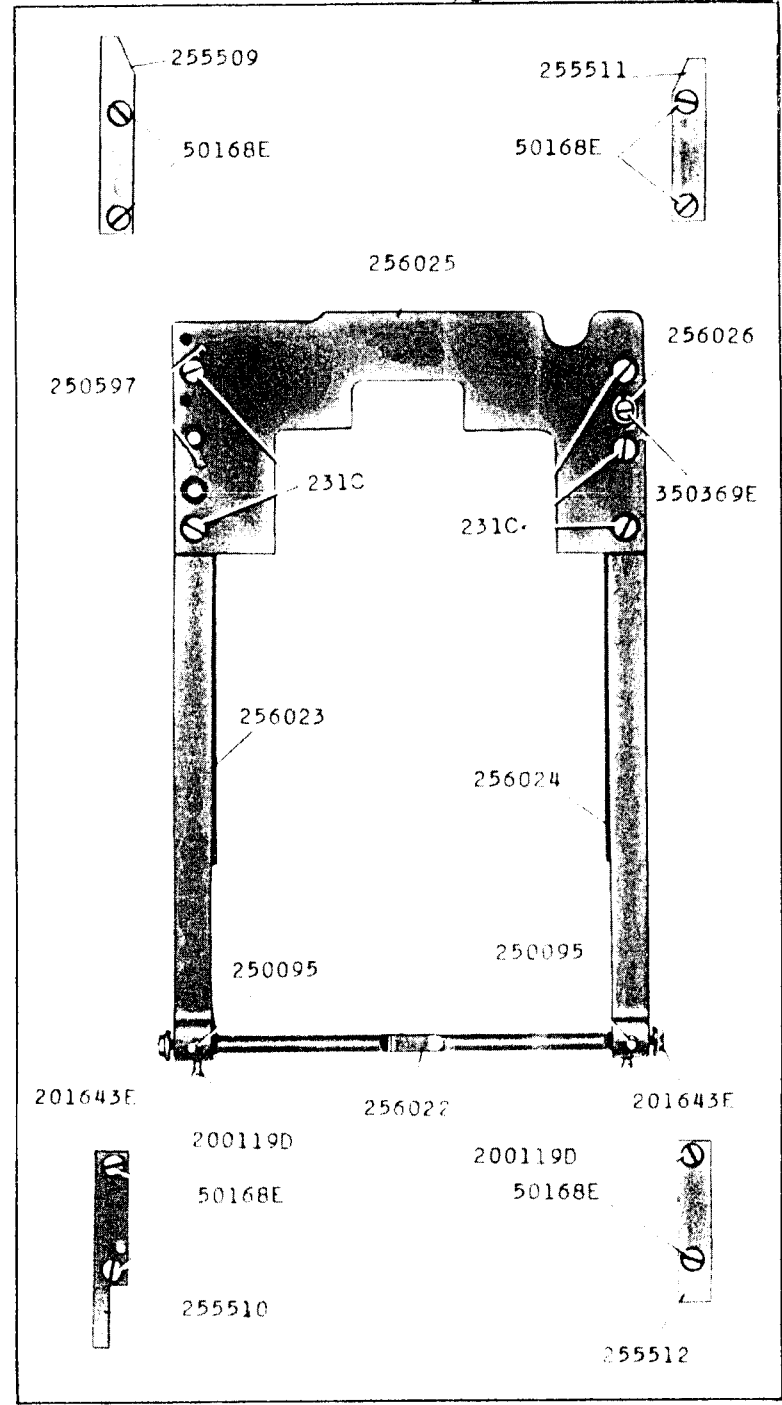
16365 - 2/3



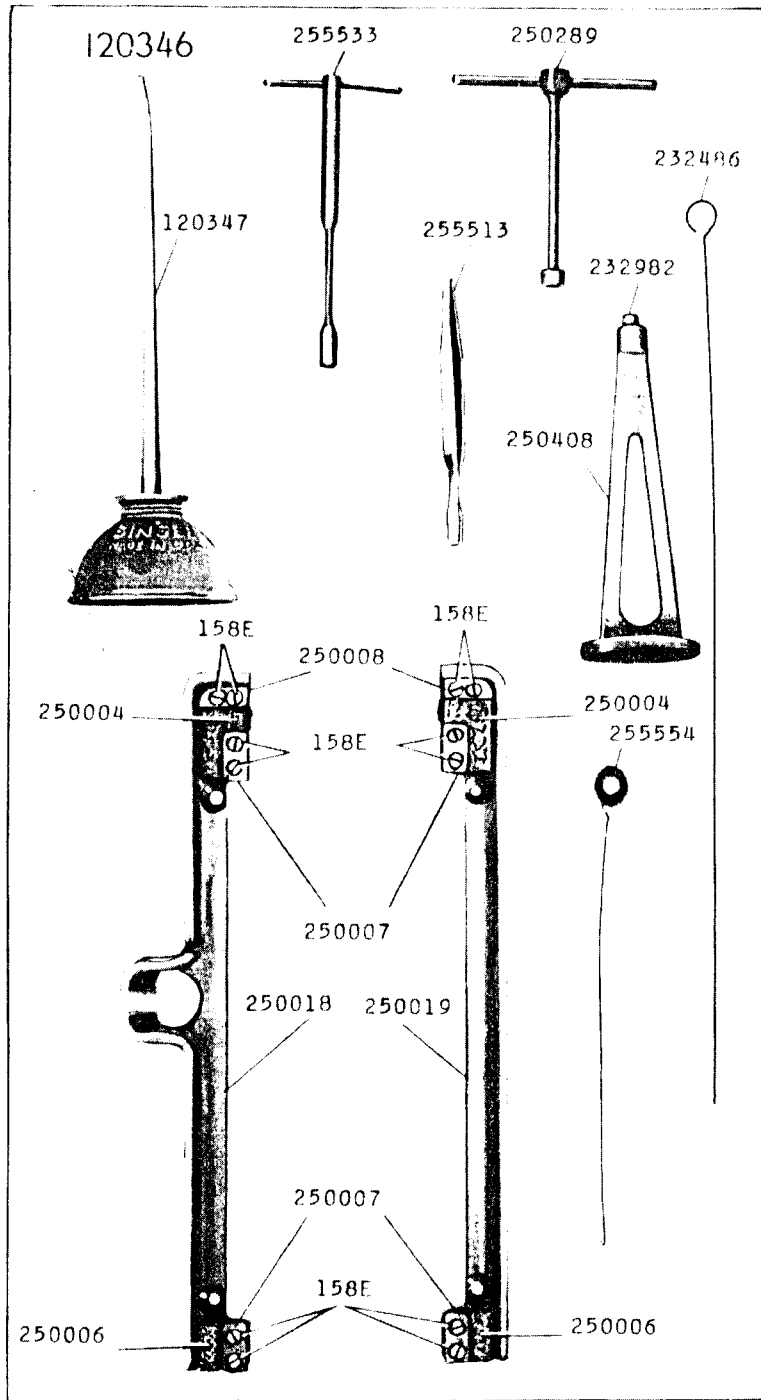
16372 - 1/2



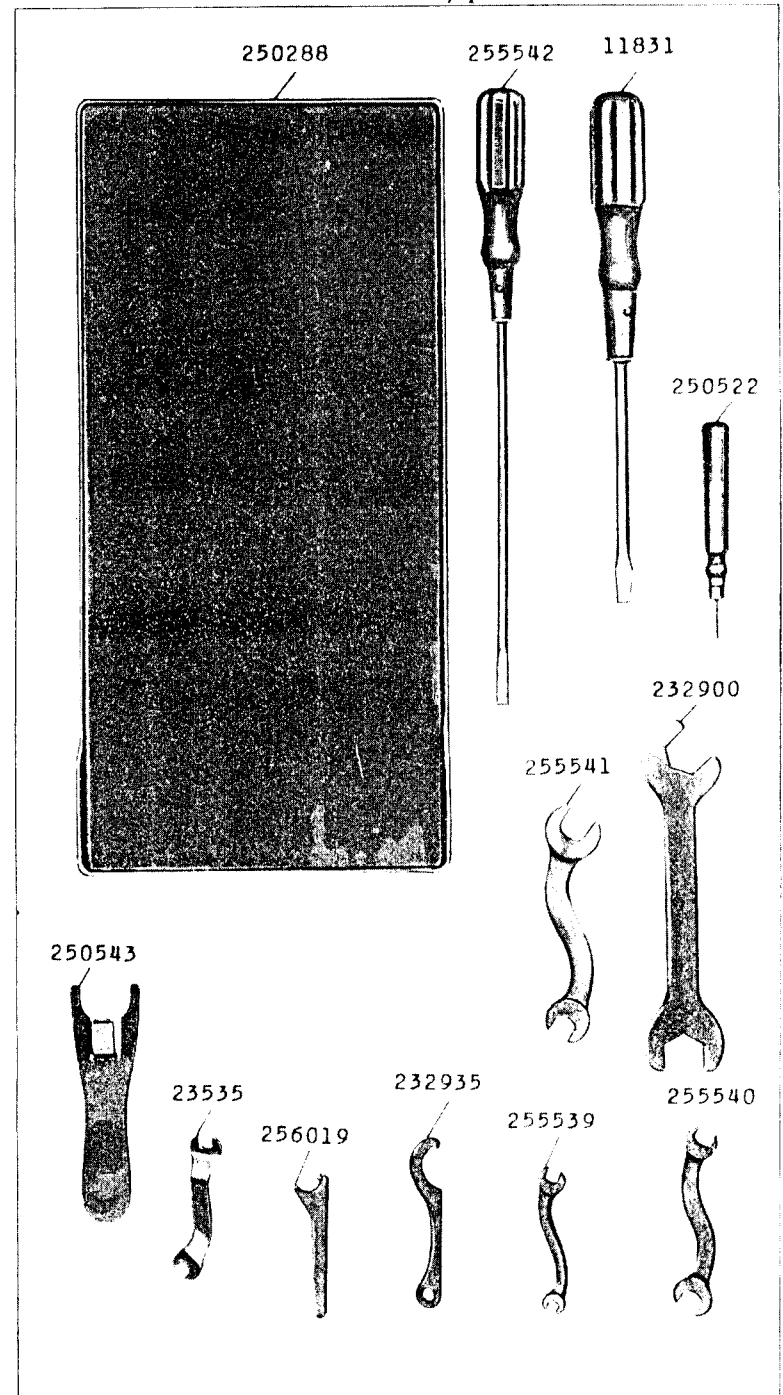
16379 - 3/8



16382 - 1/4

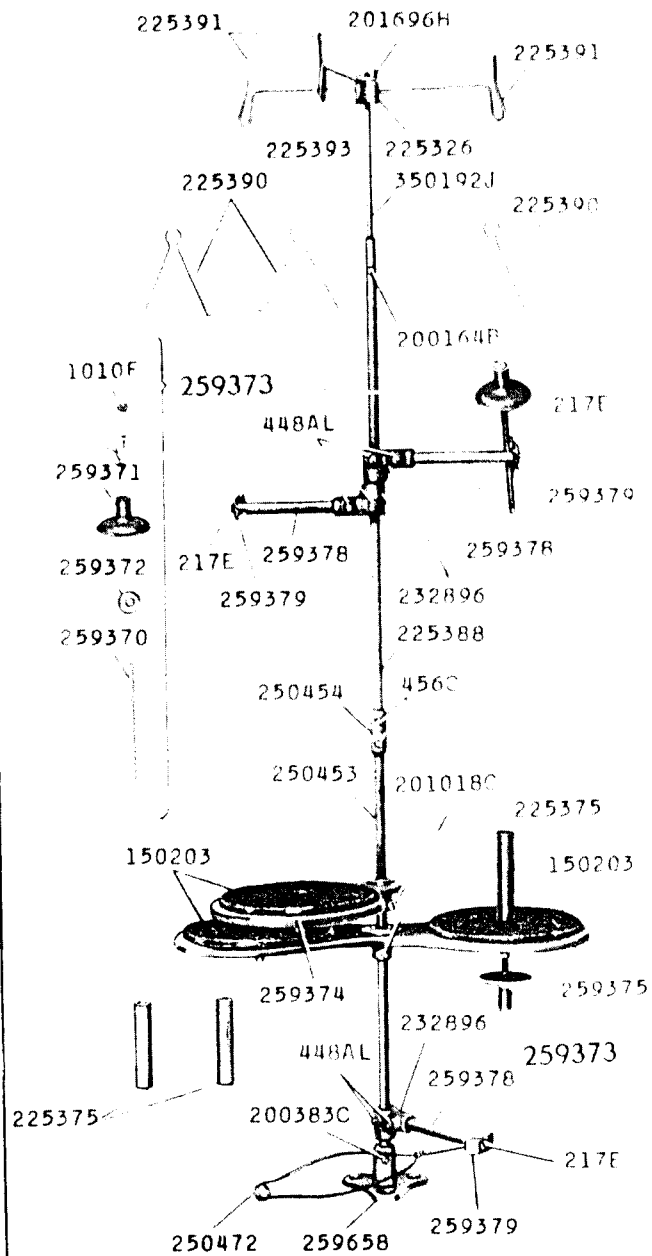


16383 - 1/4



16385 - 1/6

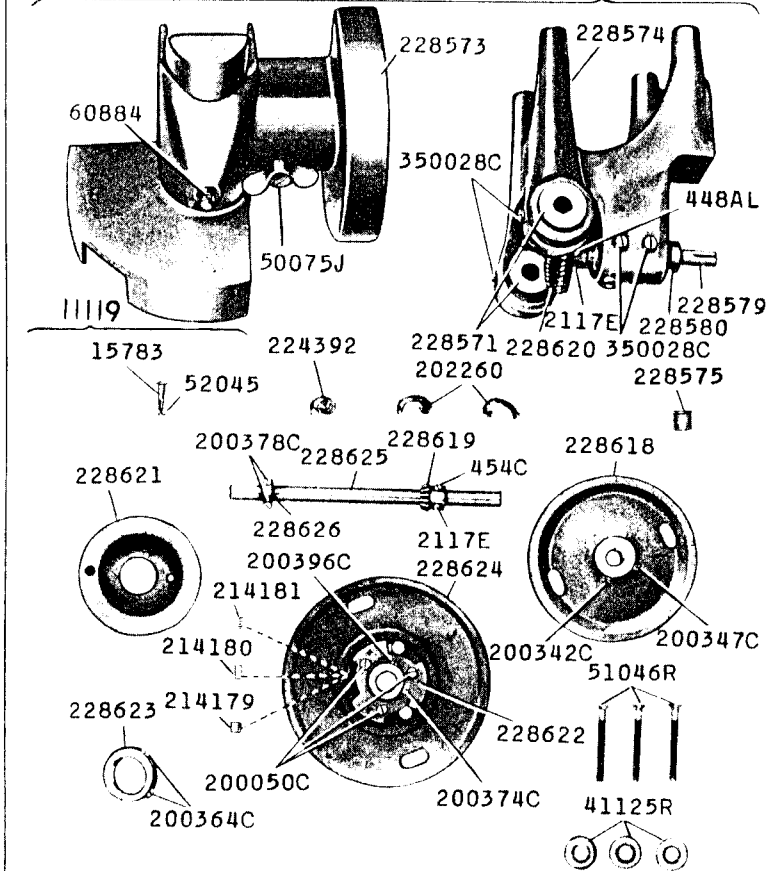
225376



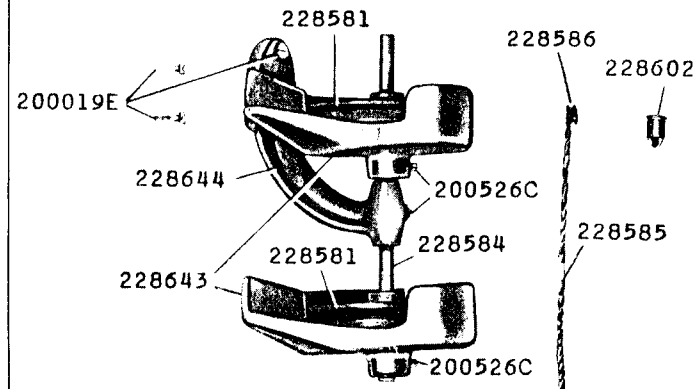
16386 - 1/6

228578

228627

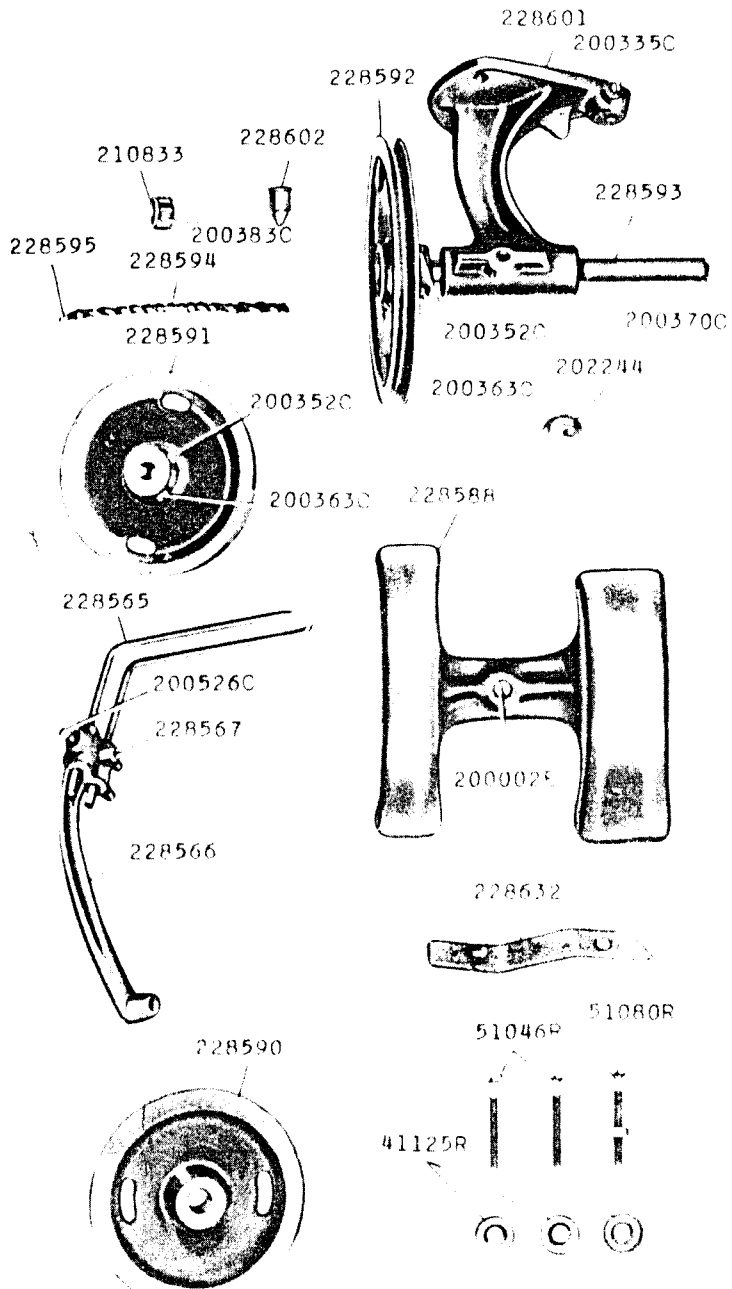


228587



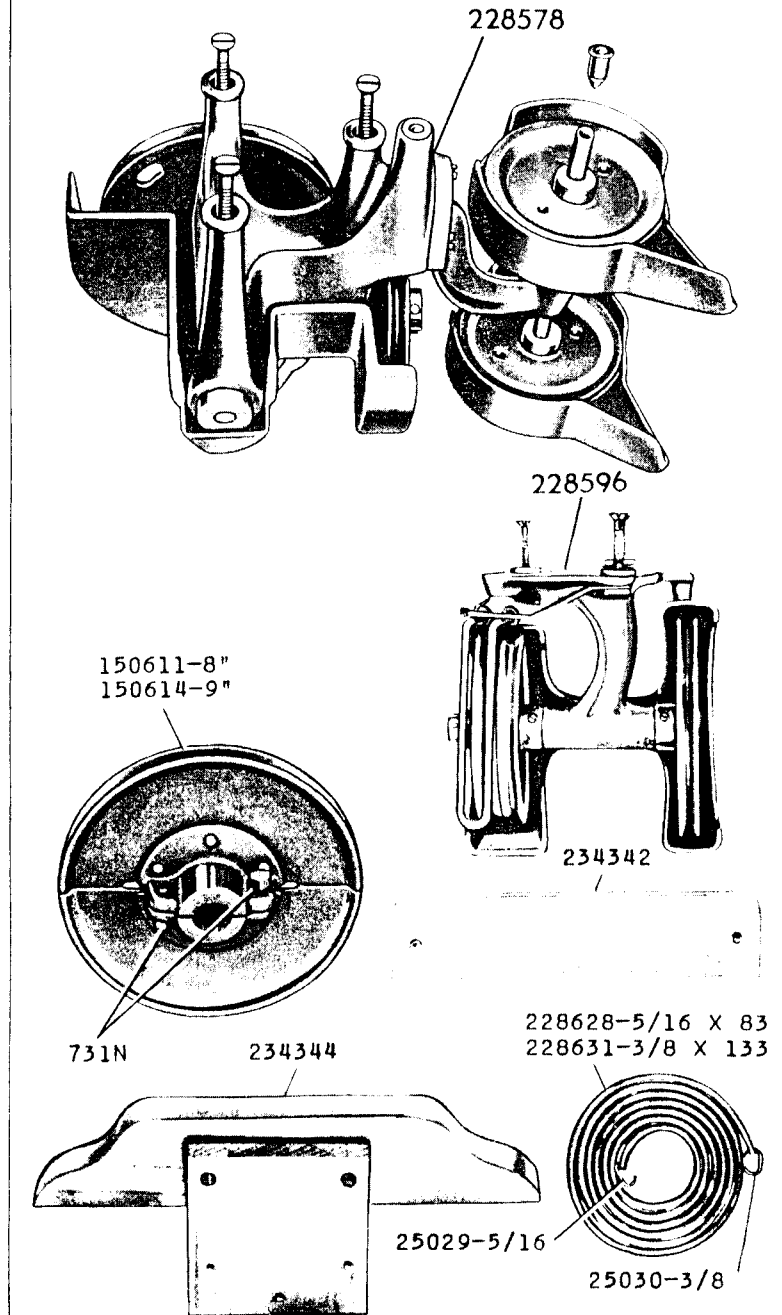
16387 - 1/5

228596



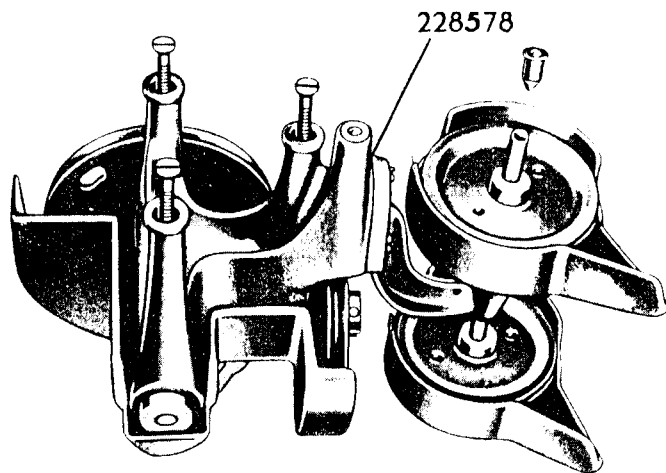
16388 - 1/6

228599



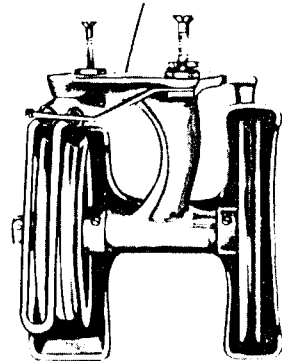
16389 - 1/6

228609

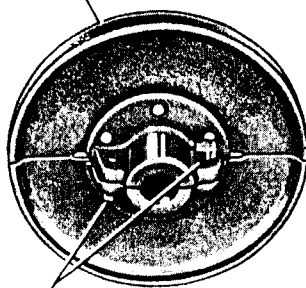


228578

228596



150611-8"
150614-9"



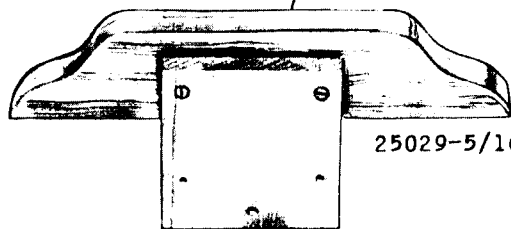
731N

228608

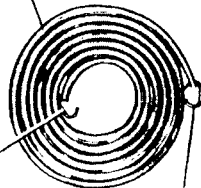


228628-5/16 X 83
228631-3/8 X 133

234344



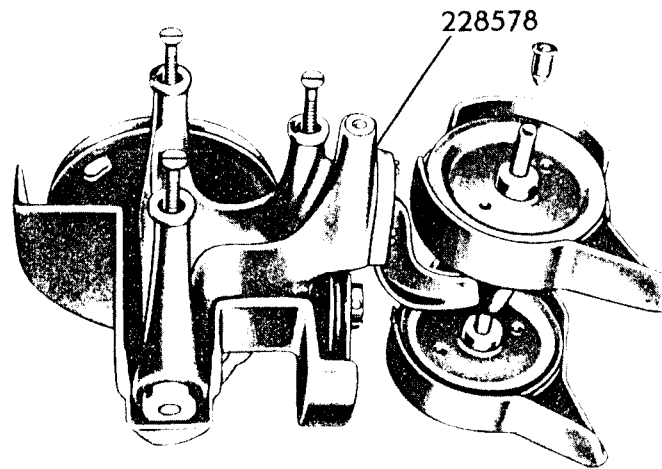
25029-5/16



25030-3/8

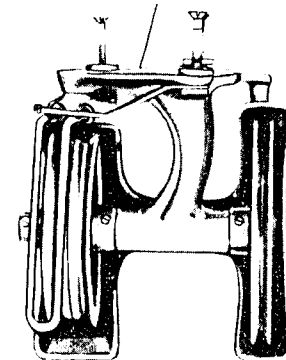
16390 - 1/6

228611

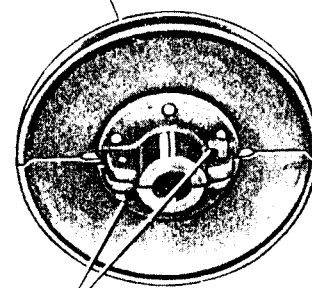


228578

228596



150611-8"
150614-9"



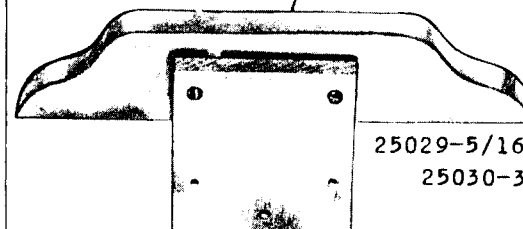
731N

228610

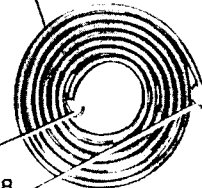


228628-5/16 X 83
228631-3/8 X 133

234344



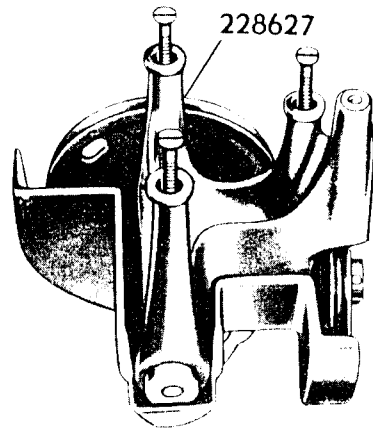
25029-5/16



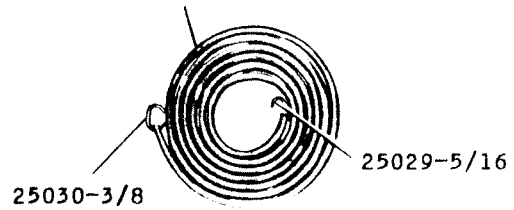
25030-3/8

16391 - 1/6

228605

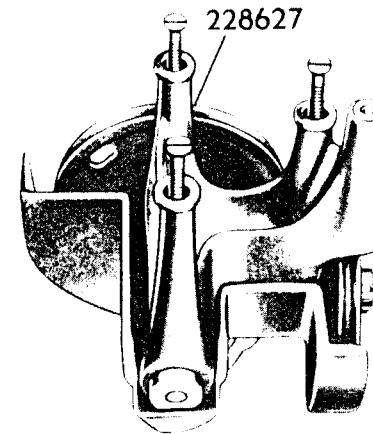


228628-5/16 X 83
228629-3/8 X 57

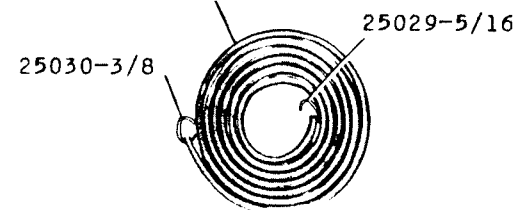


16392 - 1/6

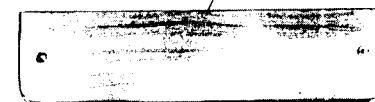
228612



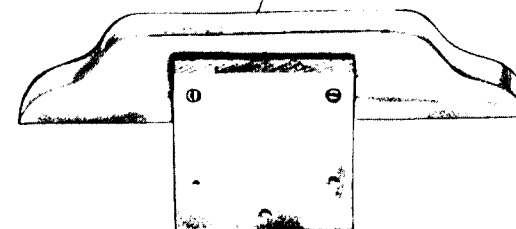
228628-5/16 X 83
228629-3/8 X 57



234342

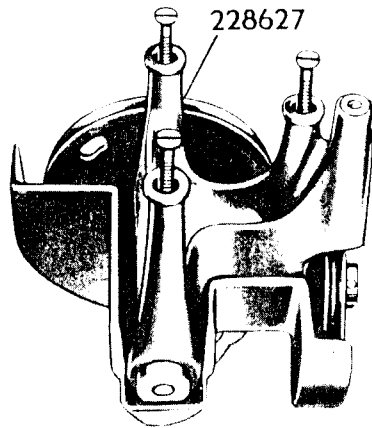


234344

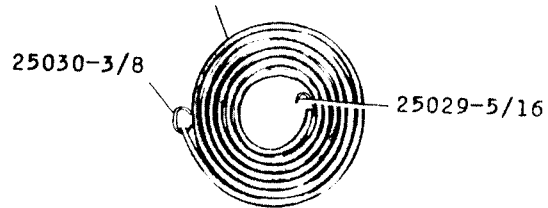


16393 - 1/6

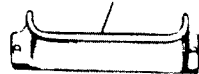
228613



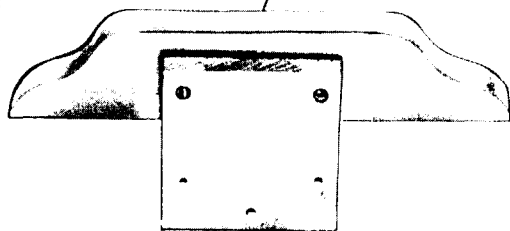
228628-5/16 X 83
228629-3/8 X 57



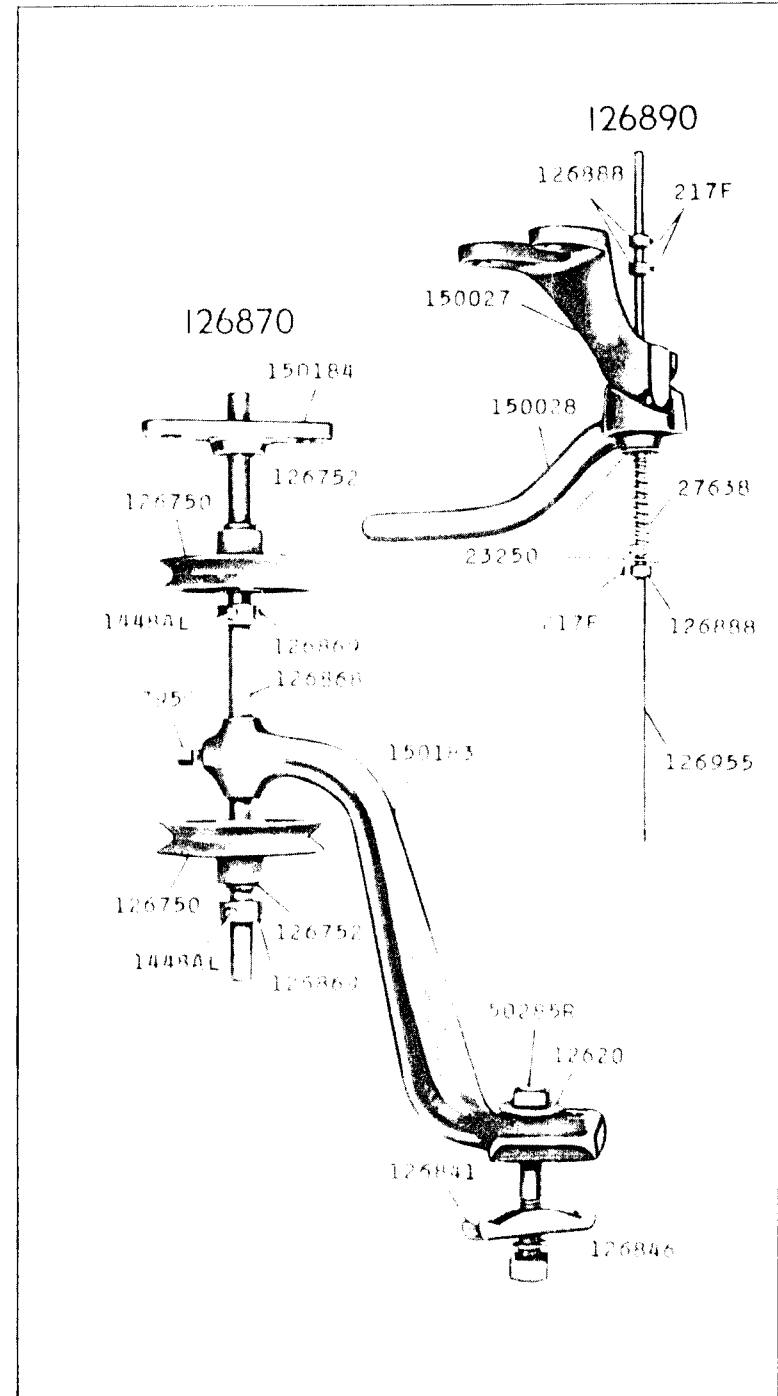
228610



234344

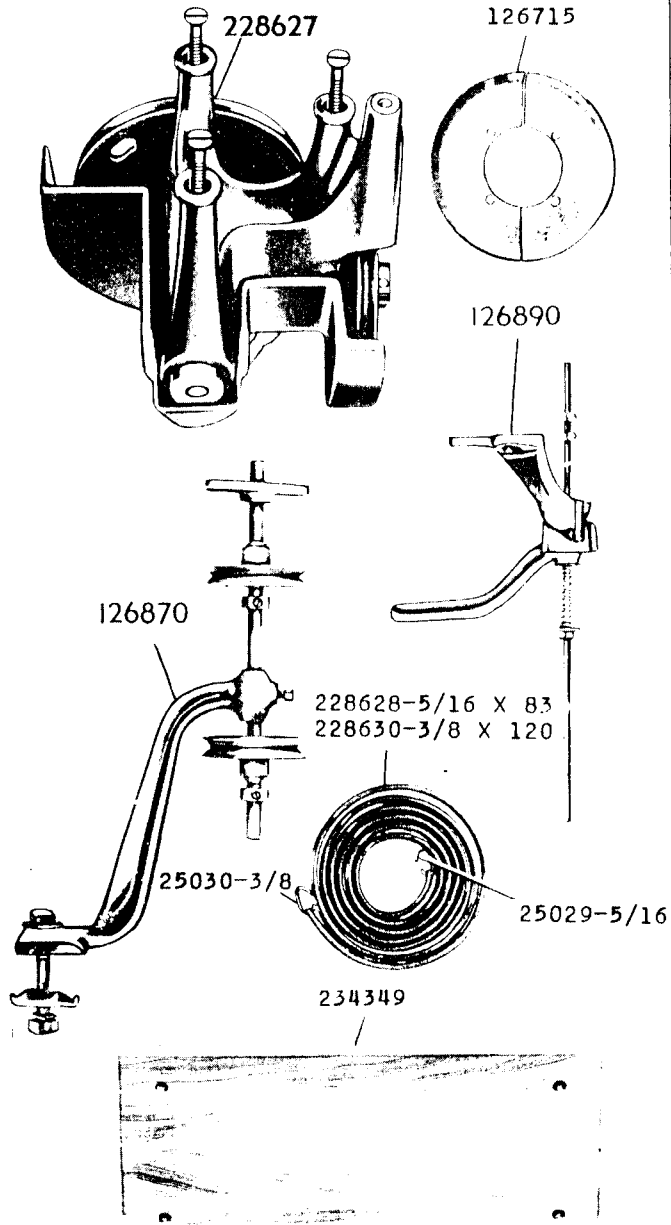


16394 - 1/4



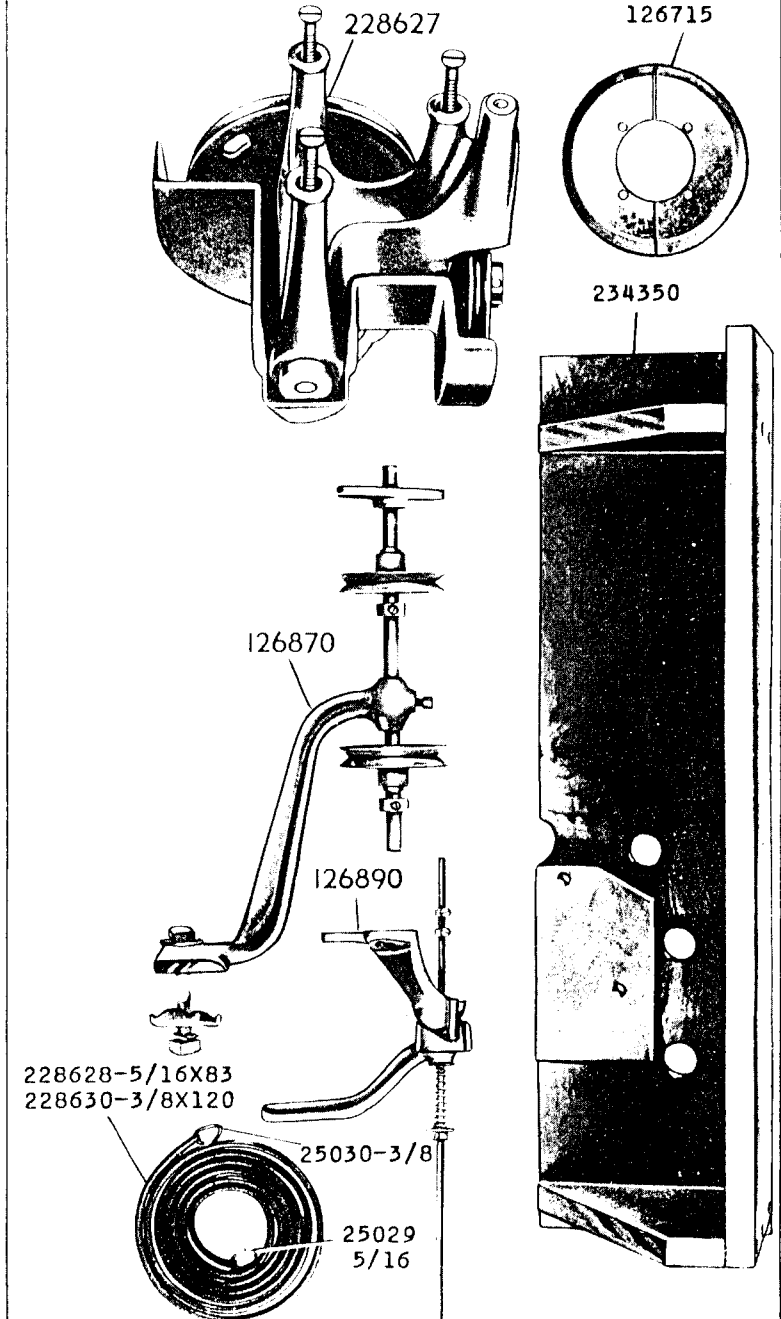
16395 - 1/6

228645



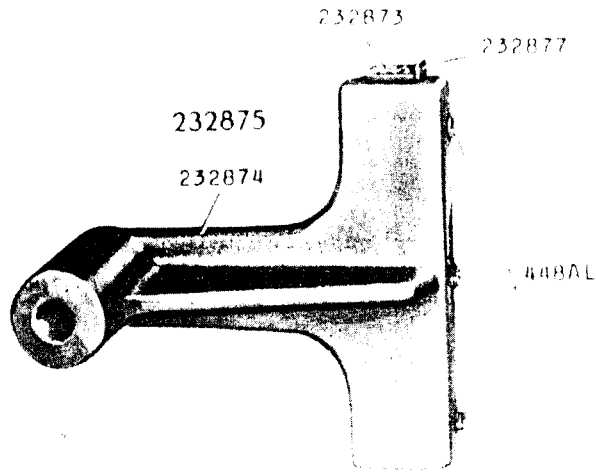
16396 - 1/6

228646

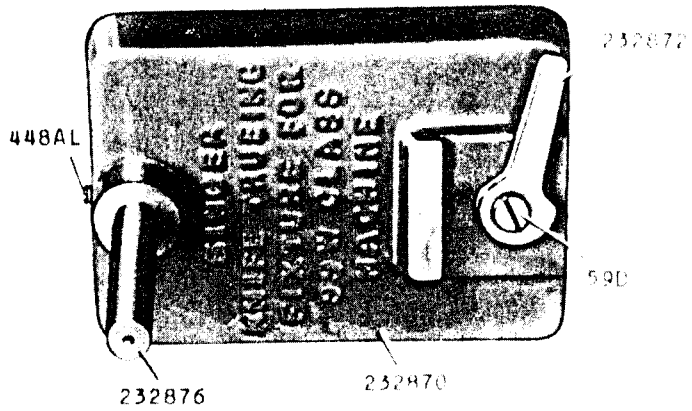


16401 - 1/2

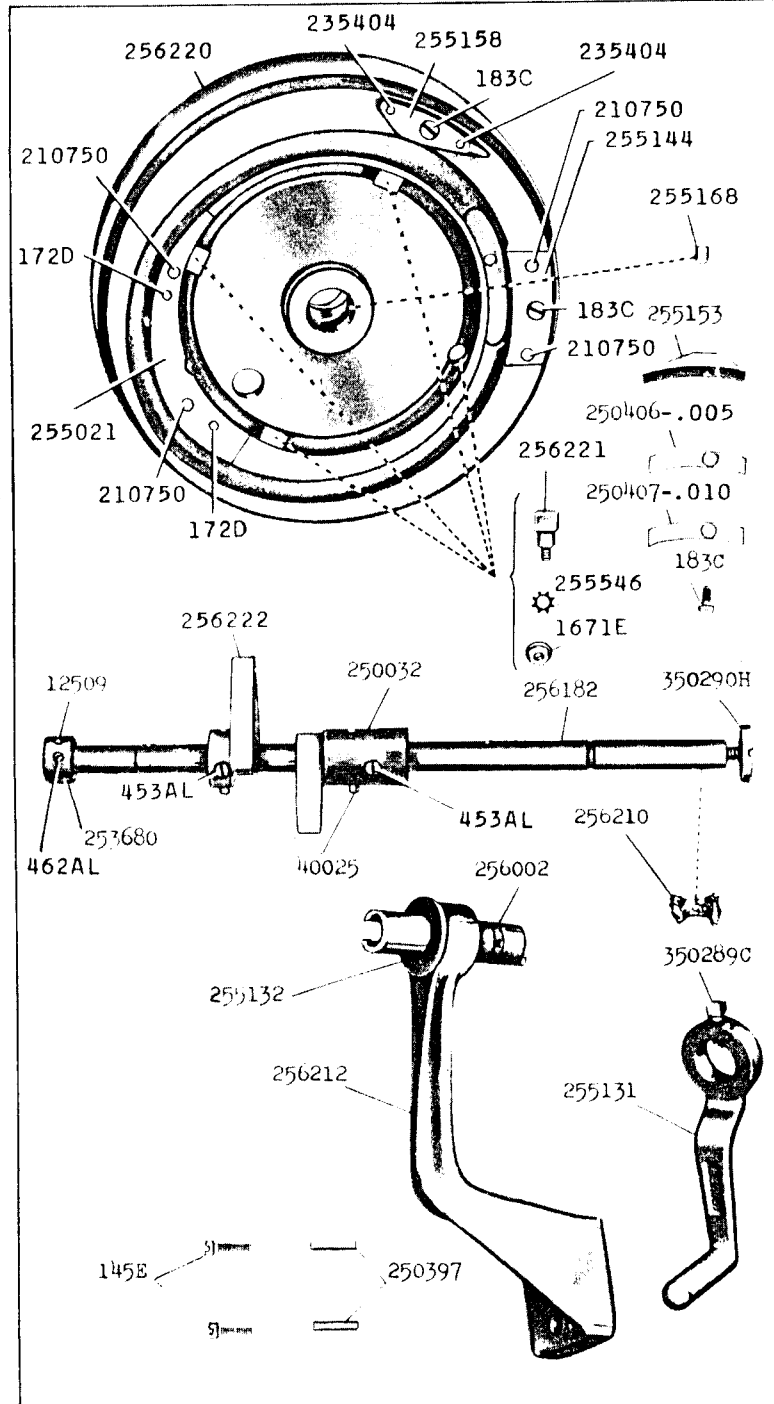
232878



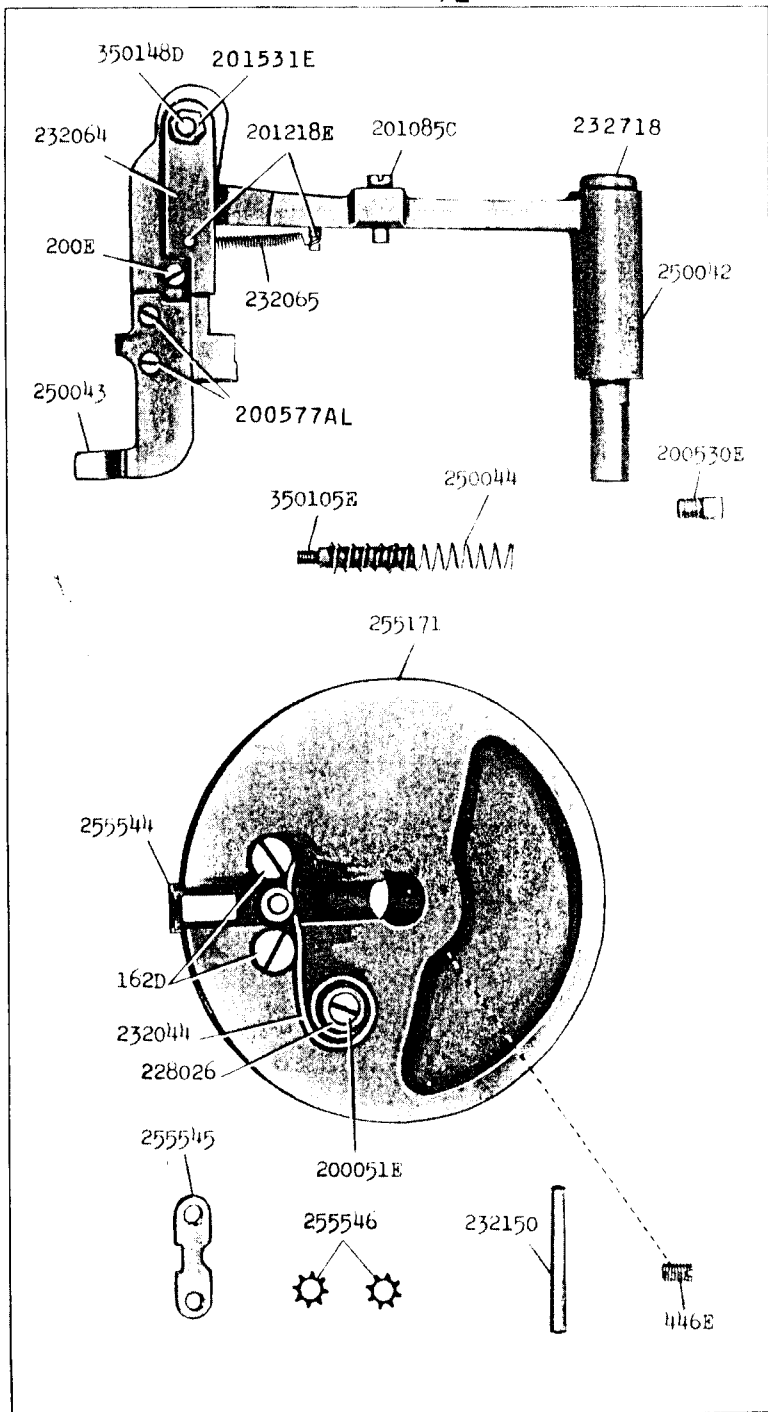
232871



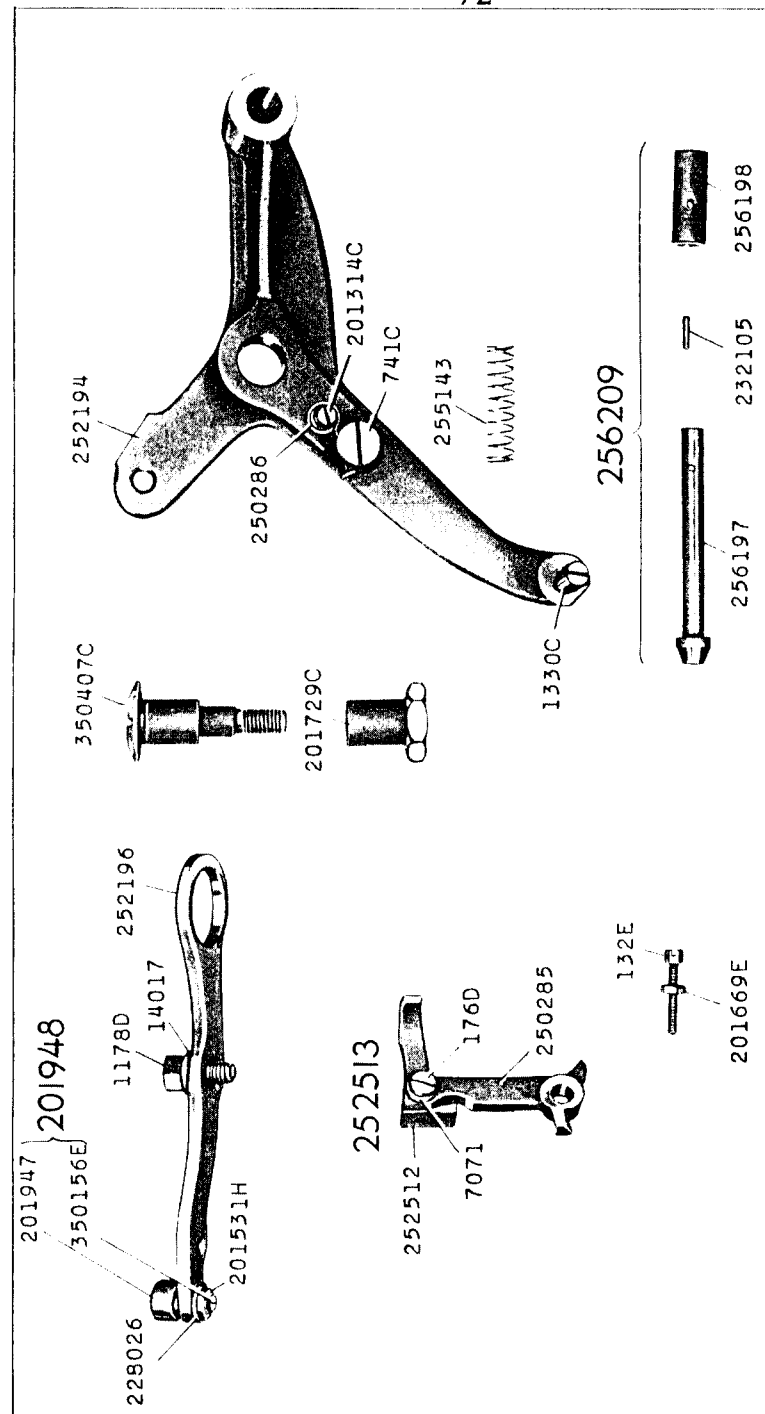
16405 - 1/3



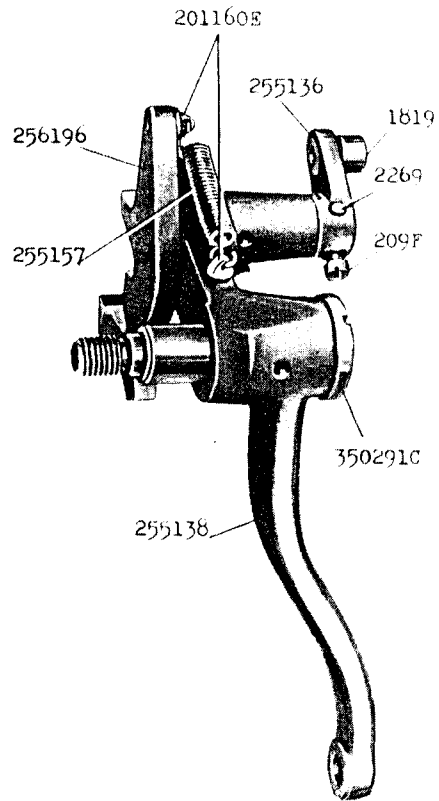
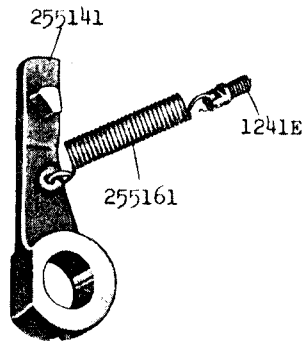
16406 - 1/2



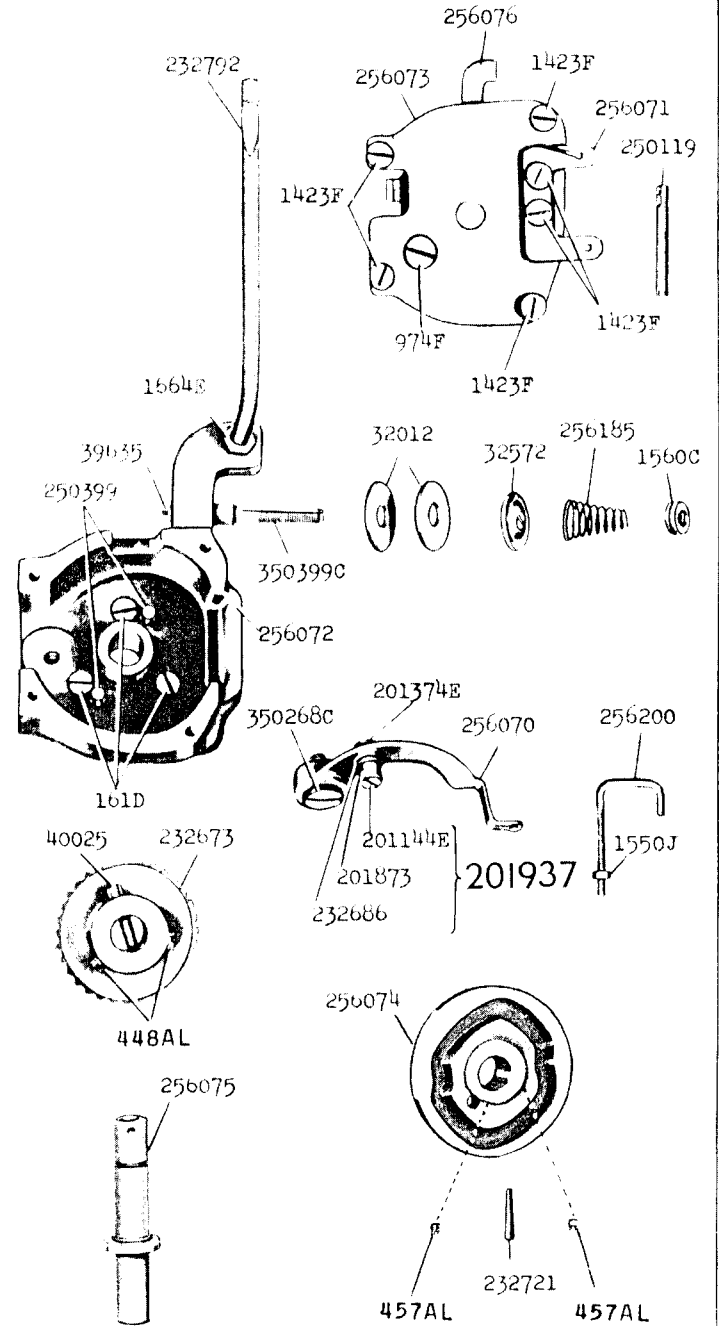
16407 - 1/2



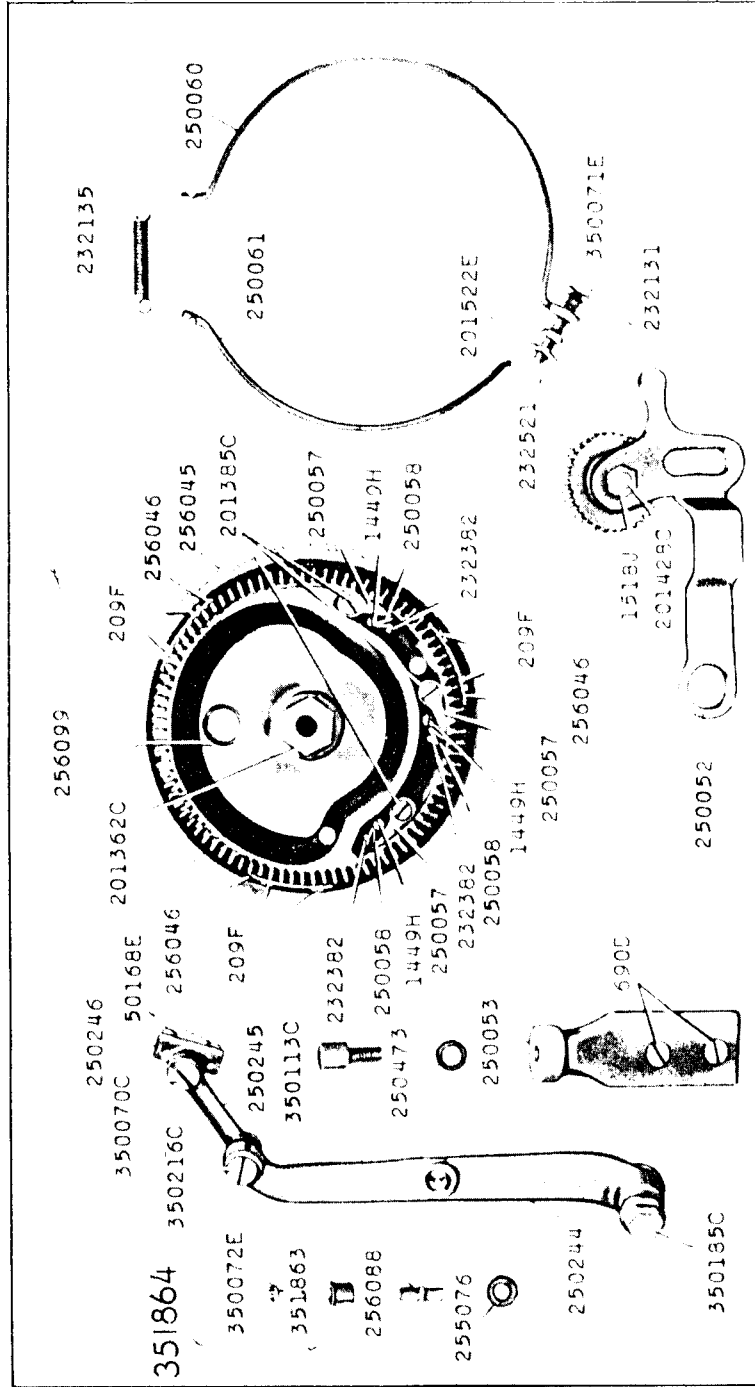
16409 - 2/3



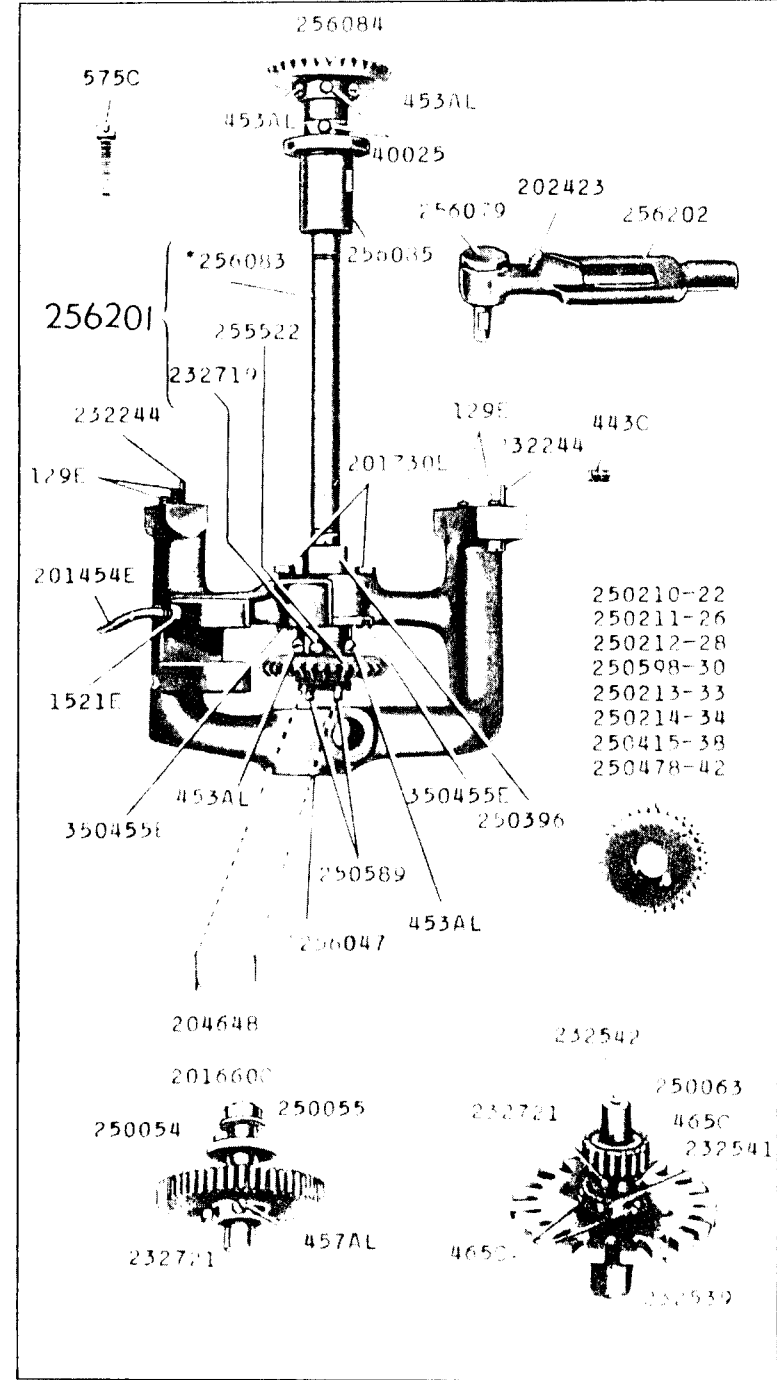
16410 - 3/8



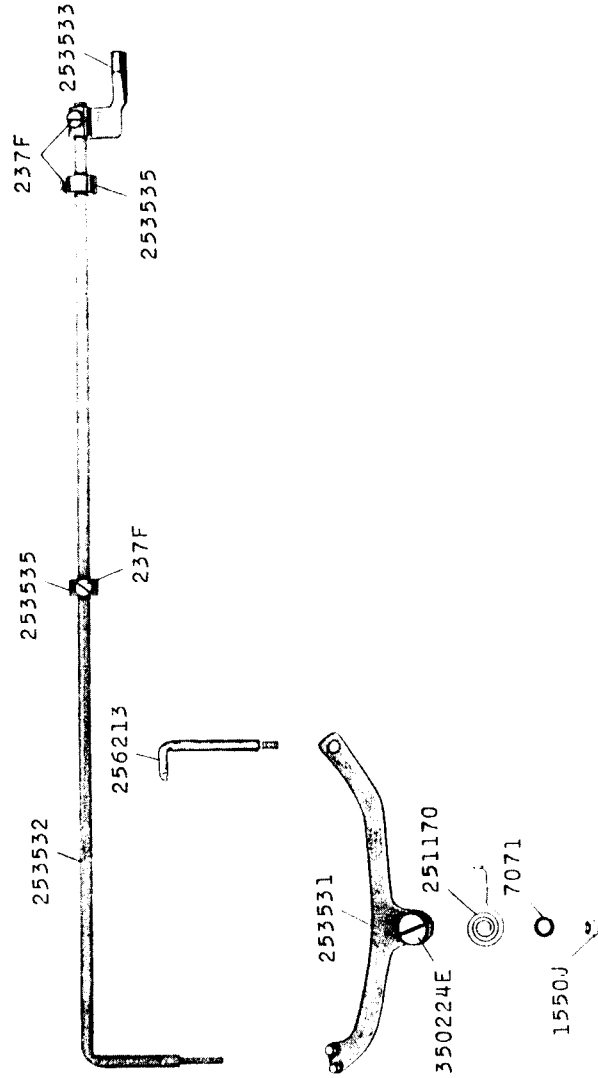
16413 - 1/3



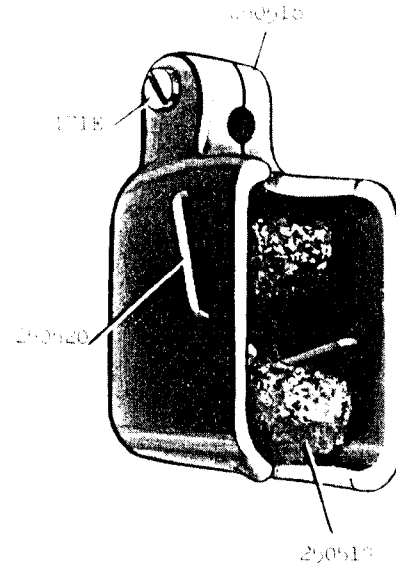
16414 - 3/8



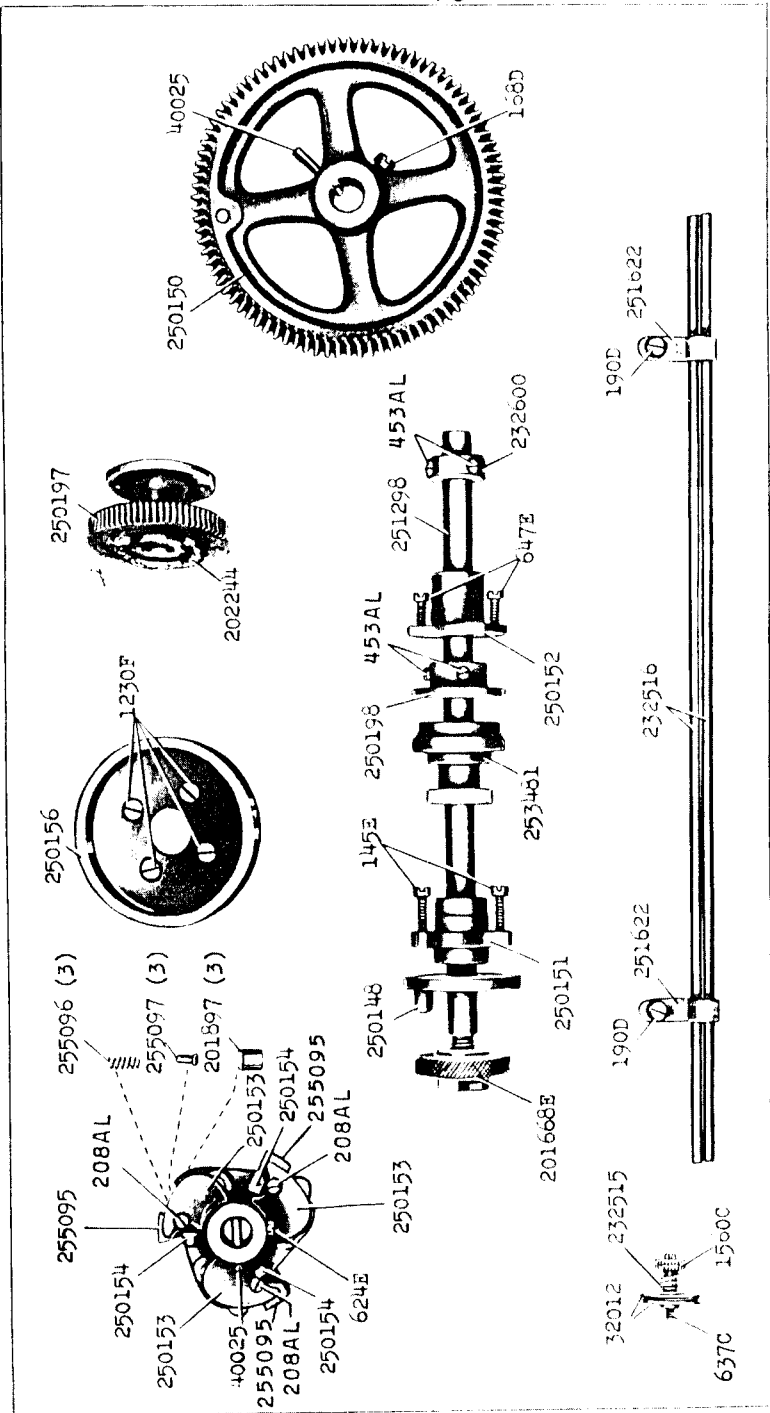
16415 - 3/8



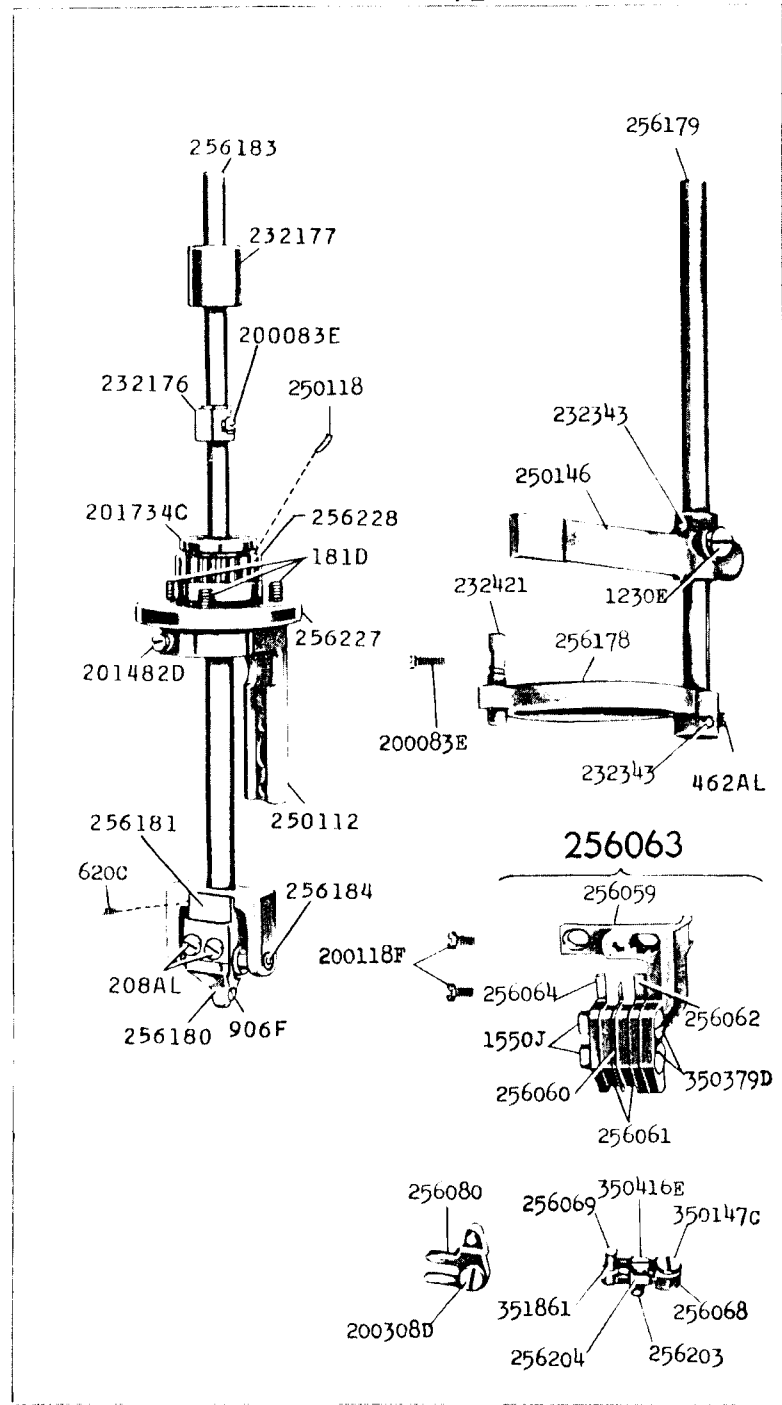
16431



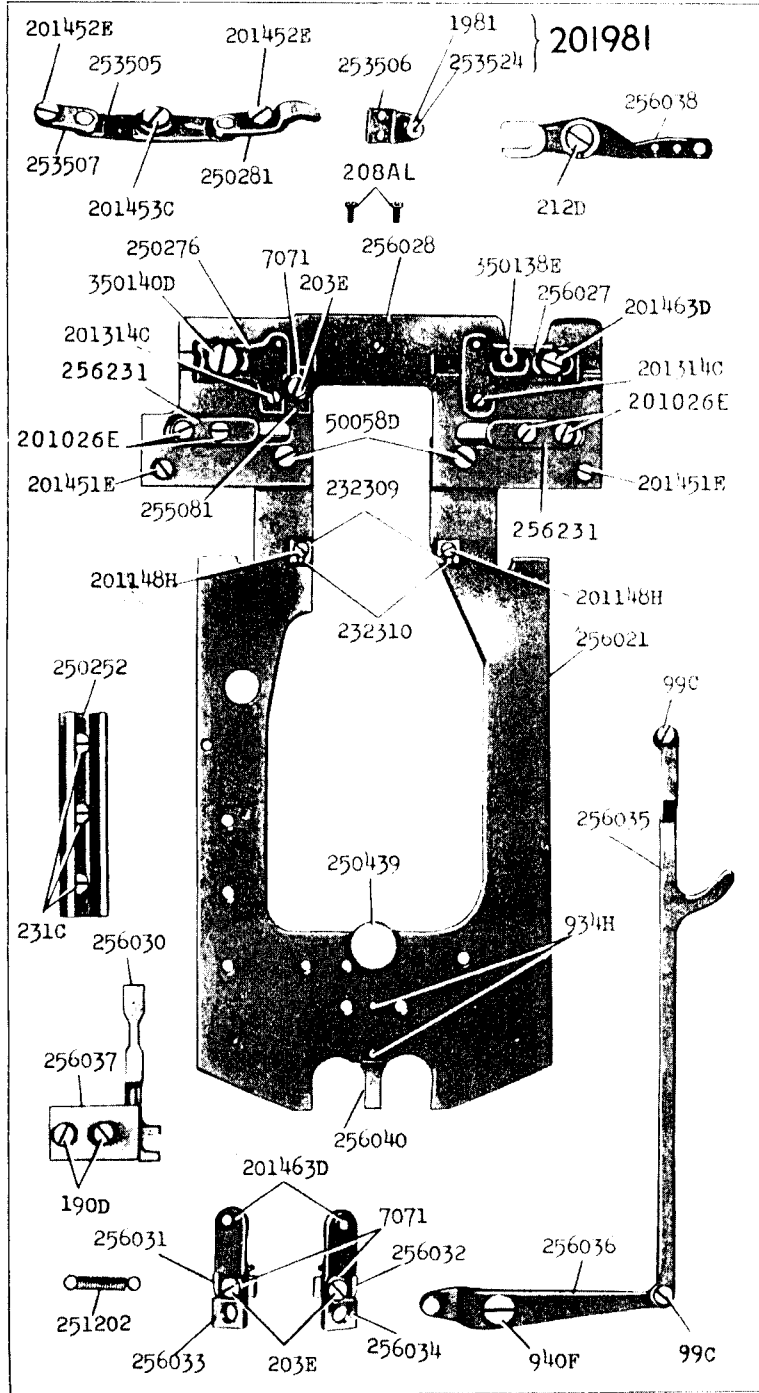
16445 - 1/3



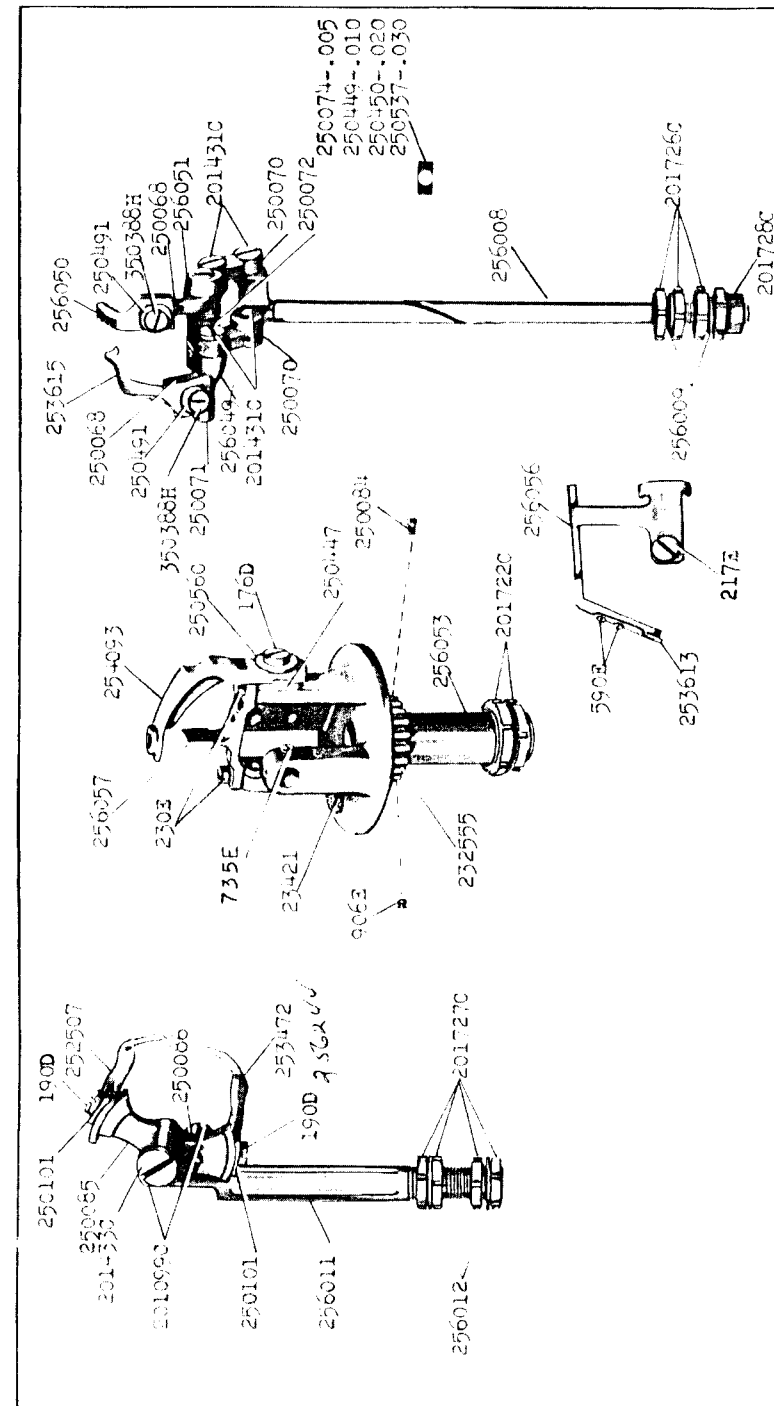
16446 - 1/2



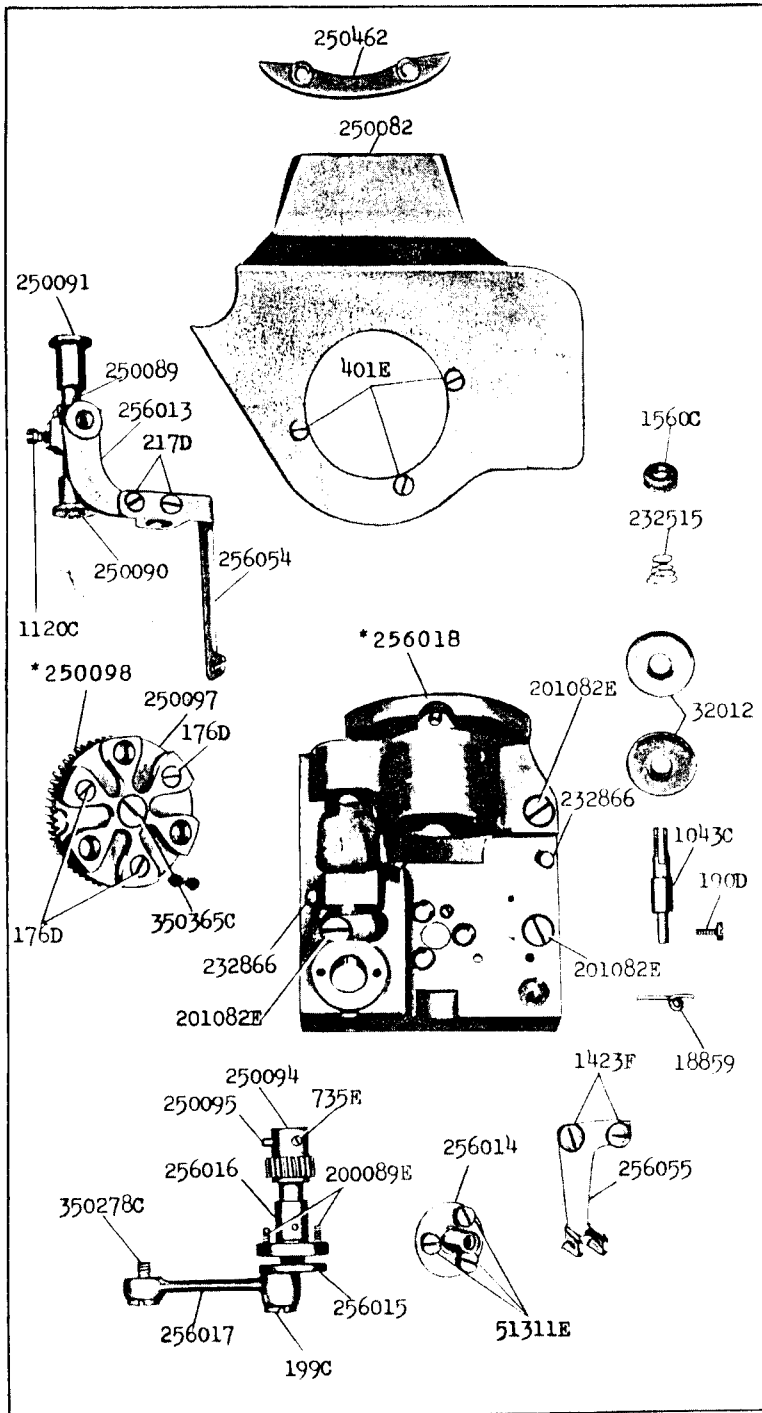
16455 - 3/8



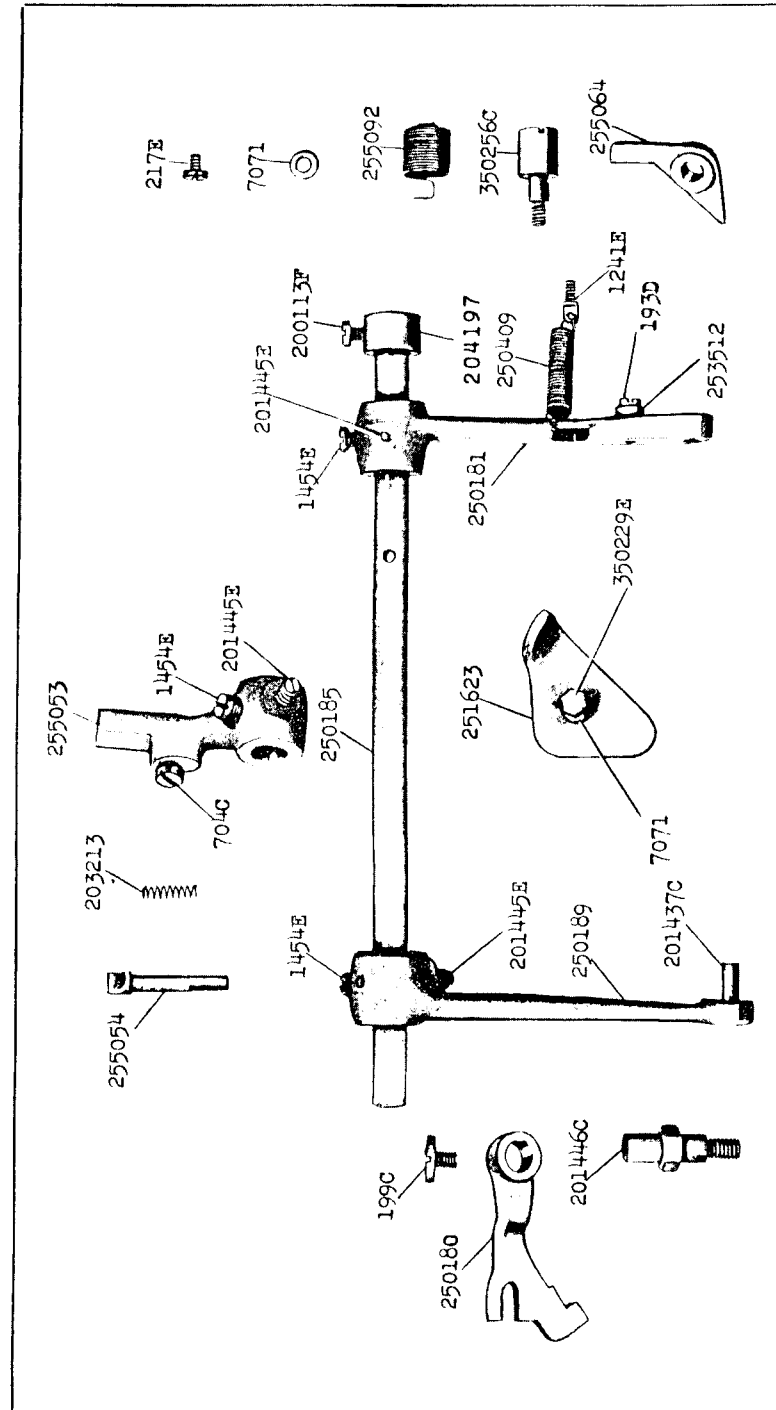
16459 - 1/2



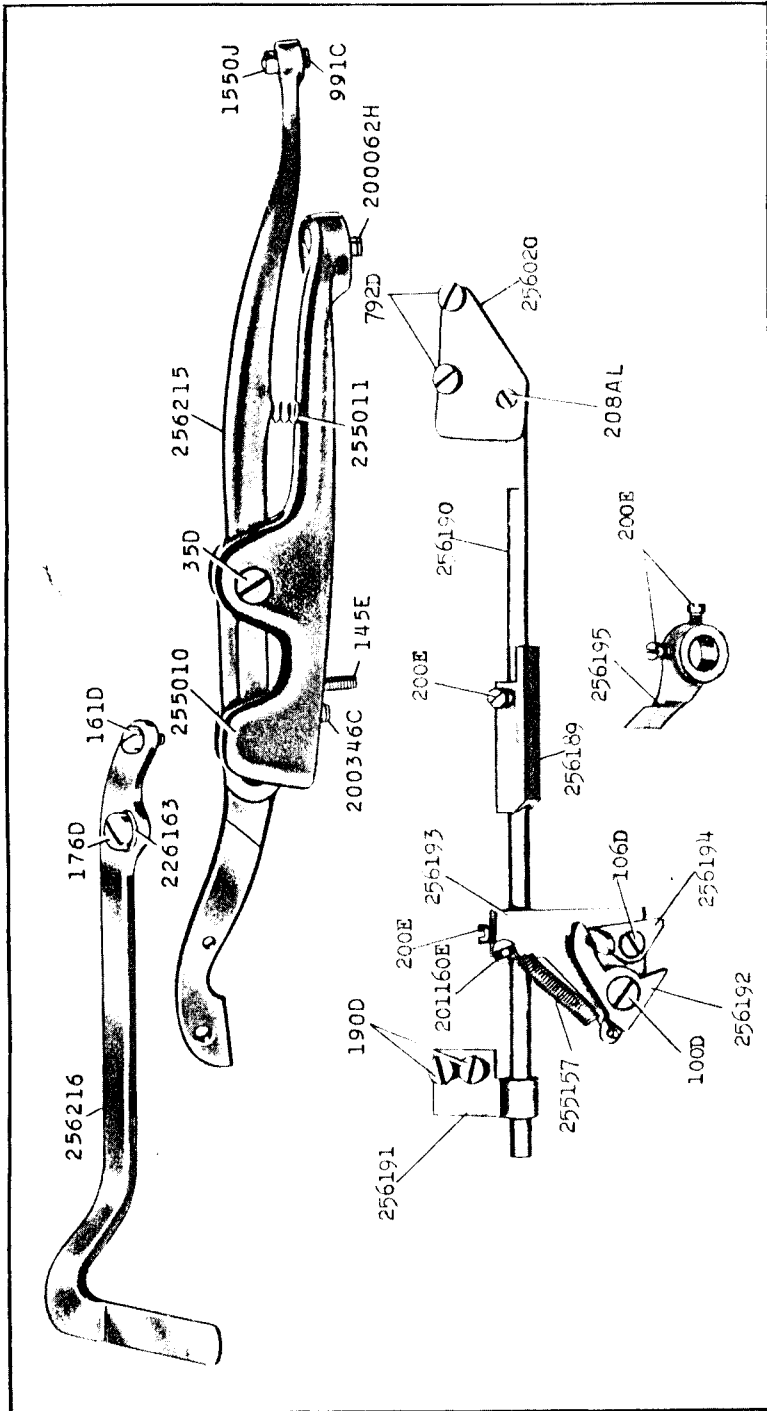
16460 - 3/8



16462 - 1/2

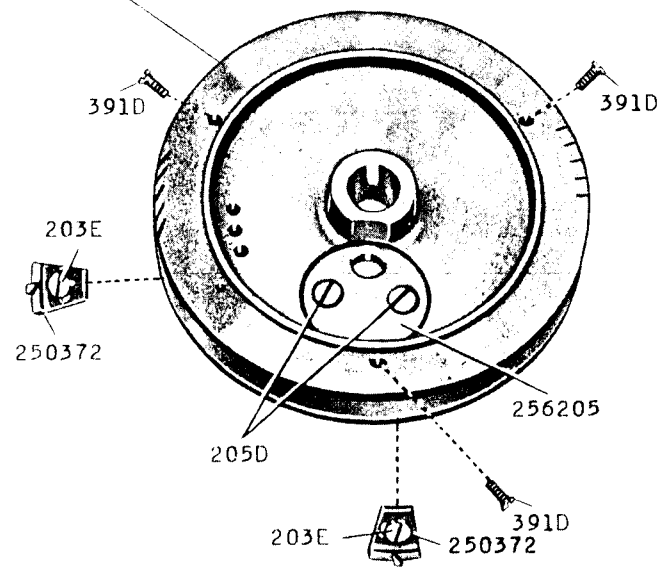


16464 - 1/2

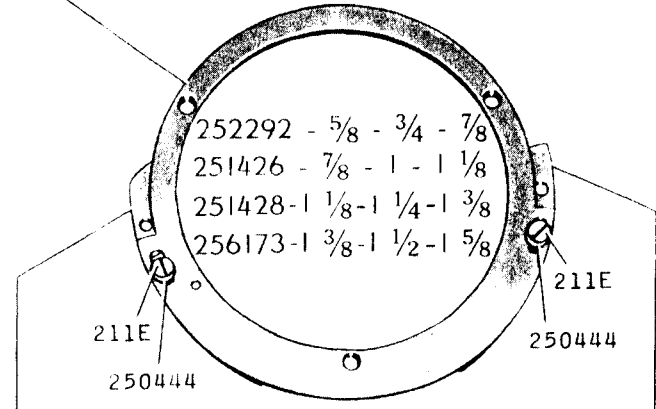


17402 - 1/2

- 256124 256125 - 5/8 - 3/4 - 7/8 (L & M)
- 256126 256127 - 7/8 - 1 - 1 1/8 (L & M)
- 256128 256129 - 1 1/8 - 1 1/4 - 1 3/8 (L & M)
- 256130 256131 - 1 3/8 - 1 1/2 - 1 5/8 (L & M)



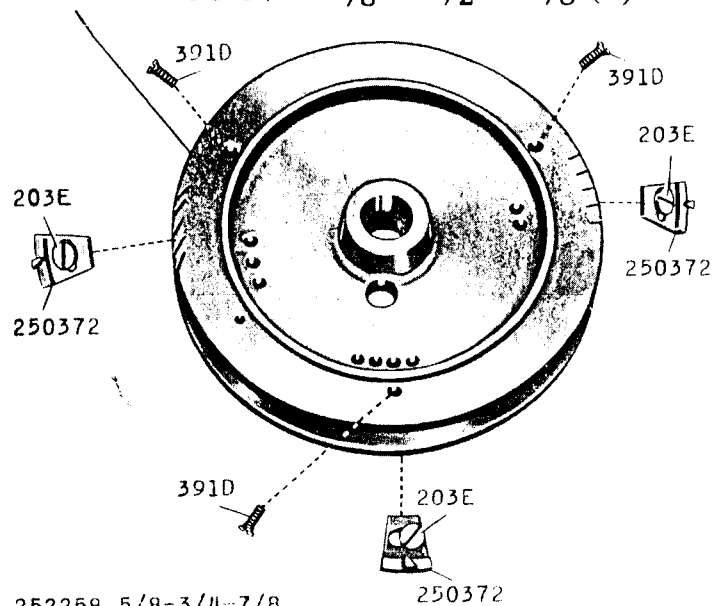
- 252258 5/8 - 3/4 - 7/8
- 251494 7/8 - 1 - 1 1/8
- 251496 1 1/8 - 1 1/4 - 1 3/8
- 252265 1 3/8 - 1 1/2 - 1 5/8



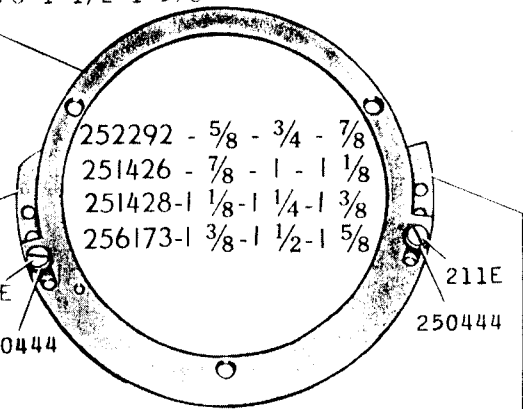
- 252275 5/8 - 3/4 - 7/8
- 252662 7/8 - 1 - 1 1/8 - 1 1/4 - 1 3/8 - 1 1/2 - 1 5/8
- 252276
- 252663

17405 - 1/2

- 256132 256133 - 5/8 - 3/4 - 7/8 (L) & ST
- 256134 256135 - 7/8 - 1 - 1 1/8 (L) & ST
- 256136 256137 - 1 1/8 - 1 1/4 - 1 3/8 (L) & ST
- 256138 256139 - 1 3/8 - 1 1/2 - 1 5/8 (L) & ST



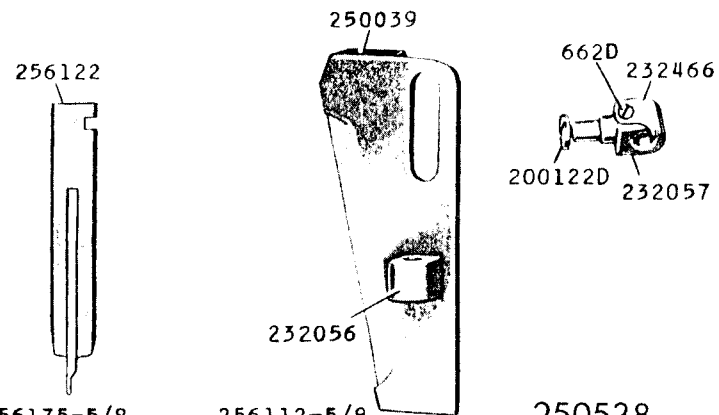
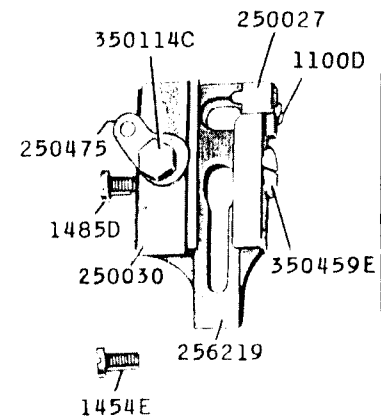
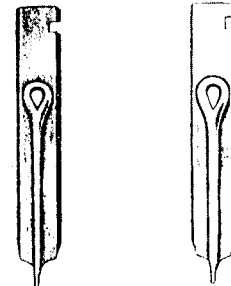
- 252258 5/8-3/4-7/8
- 251494 7/8-1-1 1/8
- 251496 1 1/8-1 1/4-1 3/8
- 252265 1 3/8-1 1/2-1 5/8



- 252275 5/8-3/4-7/8
- 252662 7/8 to 1-5/8
- 252276 252663

17424 - 2/3

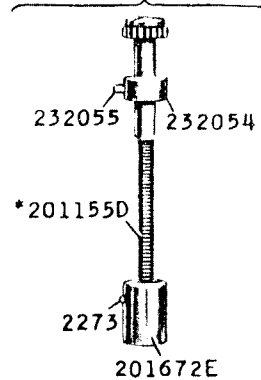
- 256120 .100X.180
- 256123 .126X.180
- 256121 .126X.200



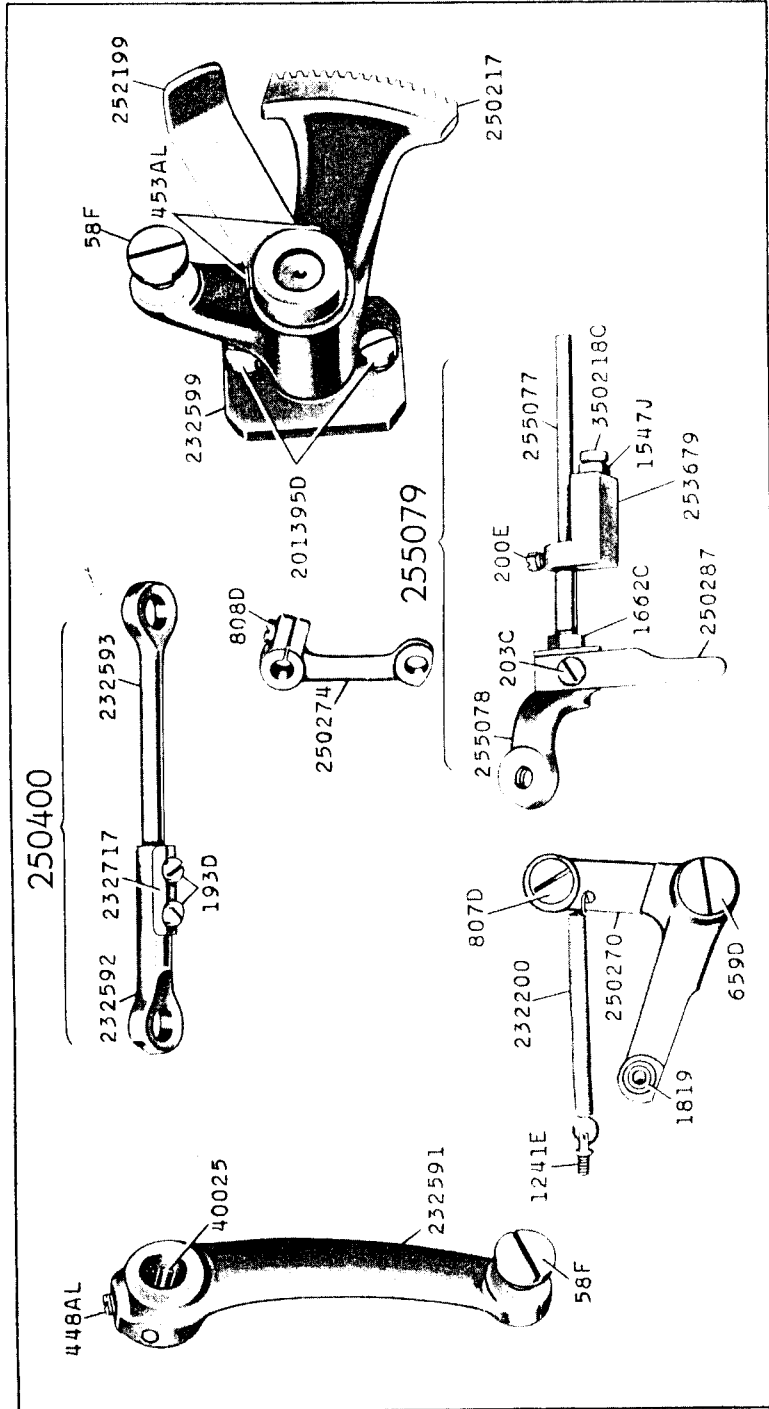
- 256175-5/8
- 256104-3/4
- 256105-7/8
- 256106-1
- 256107-1 1/8
- 256108-1 1/4
- 256109-1 3/8
- 256110-1 1/2
- 256111-1 5/8
- 256112-5/8
- 256113-3/4
- 256176-7/8
- 256114-1
- 256115-1 1/8
- 256116-1 1/4
- 256117-1 3/8
- 256118-1 1/2
- 256119-1 5/8



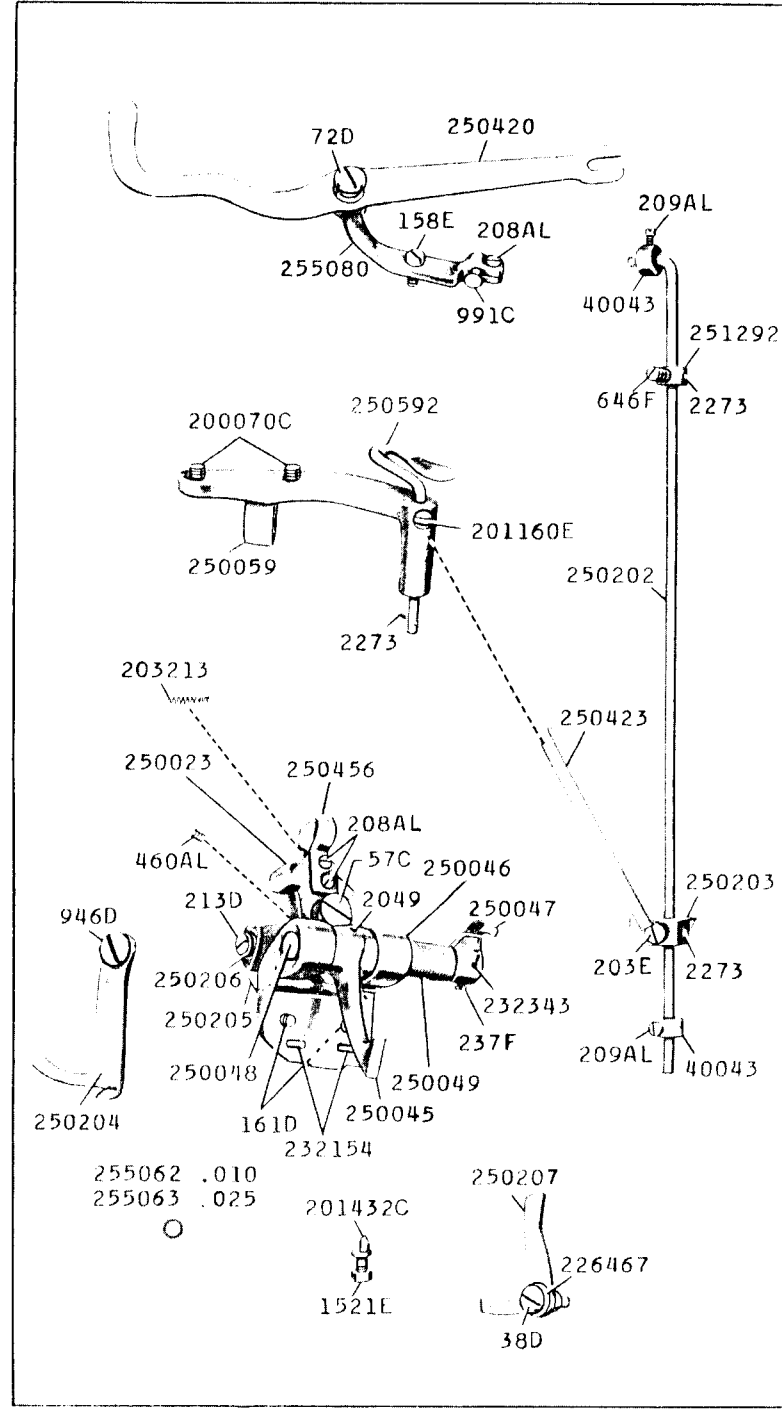
250538



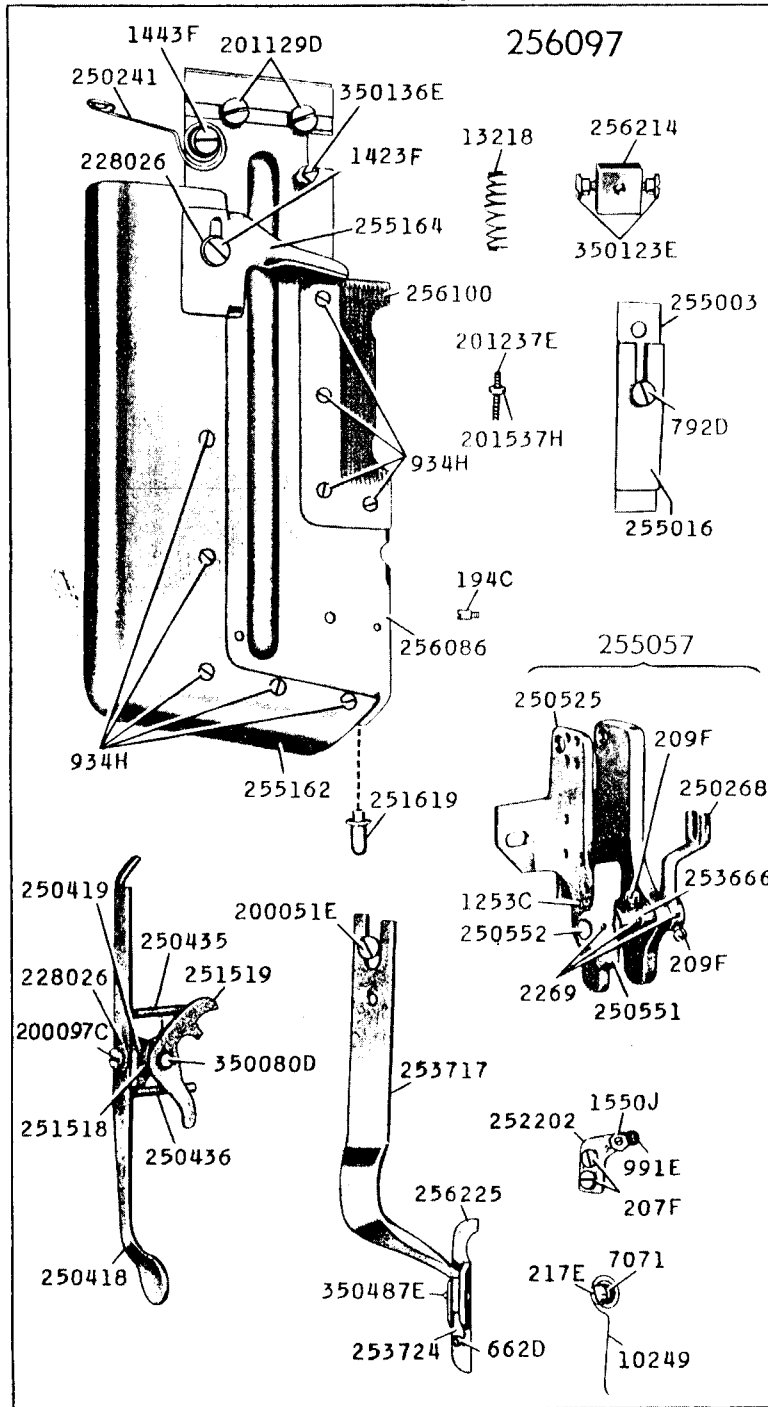
17425 - 1/2



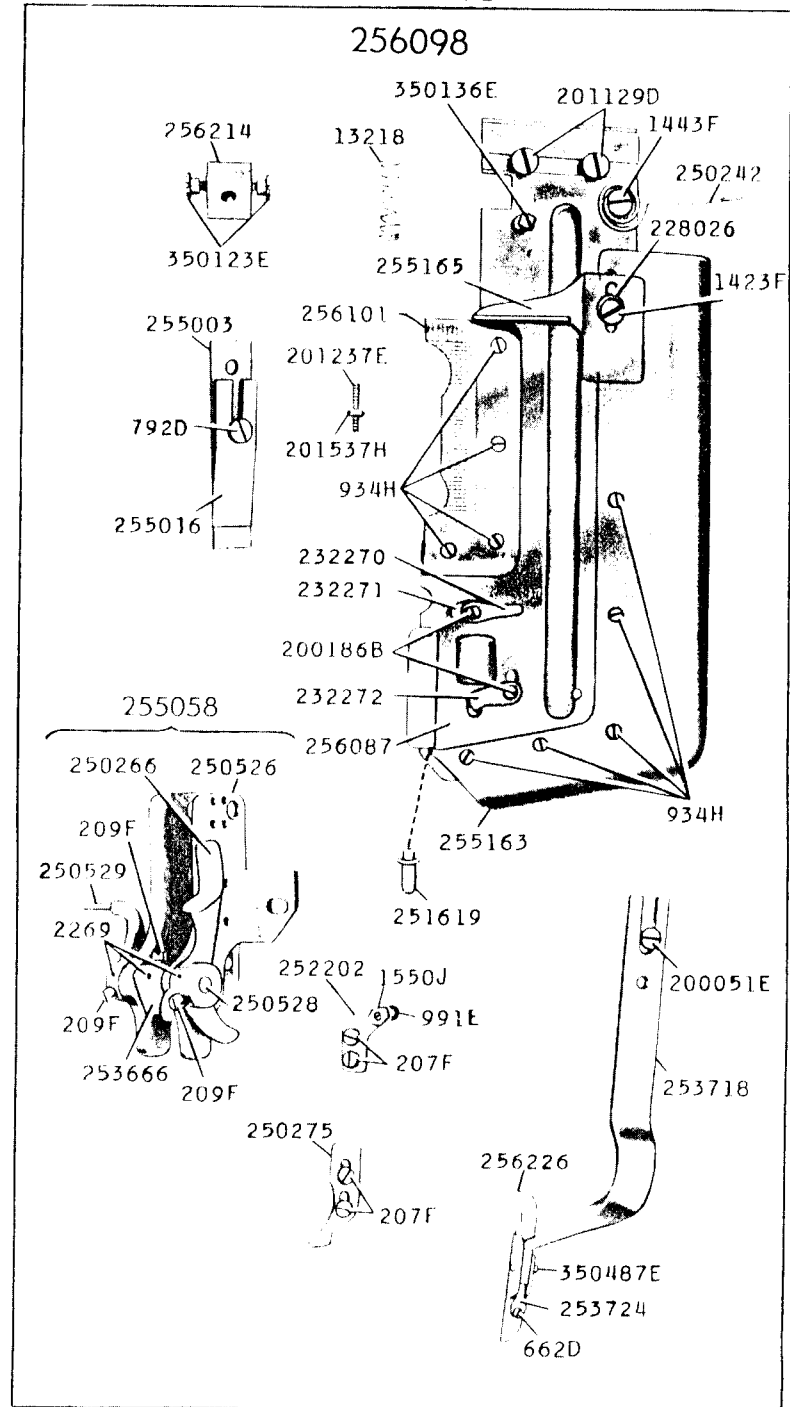
17426 - 3/8



17427 - 3/8



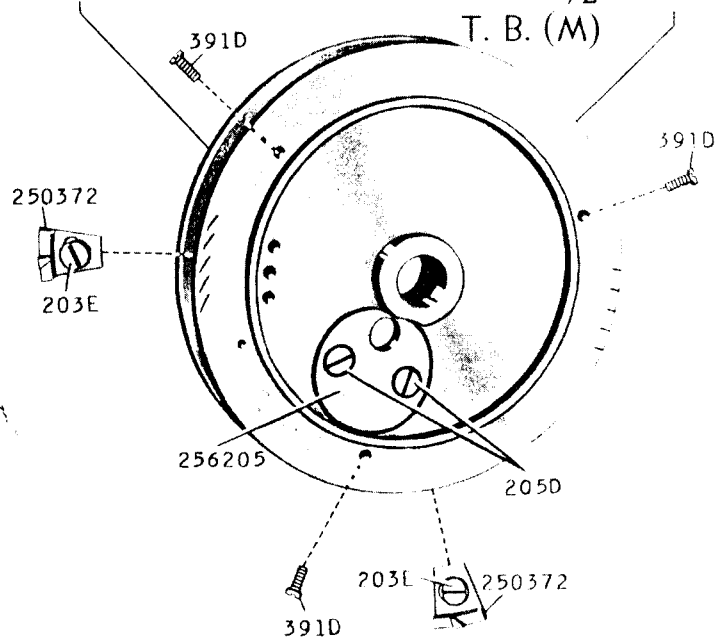
17428 - 3/8



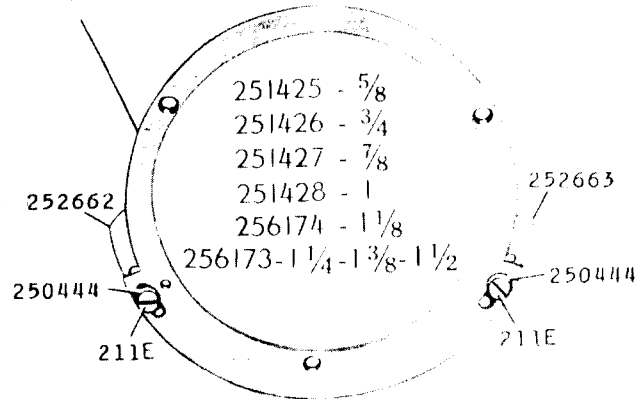
17429 - 1/2

| | | | |
|--------|--------------|----------------|--------|
| 256140 | 256141 - 5/8 | 256149 - 1 1/8 | 256148 |
| 256142 | 256143 - 3/4 | 256151 - 1 1/4 | 256150 |
| 256144 | 256145 - 7/8 | 256153 - 1 3/8 | 256152 |
| 256146 | 256147 - 1 | 256155 - 1 1/2 | 256154 |

T. B. (M)



- 251493-5/8
- 251494-3/4
- 251495-7/8
- 251496-1
- 252264-1 1/8
- 252265-1 1/4-1 3/8-1 1/2

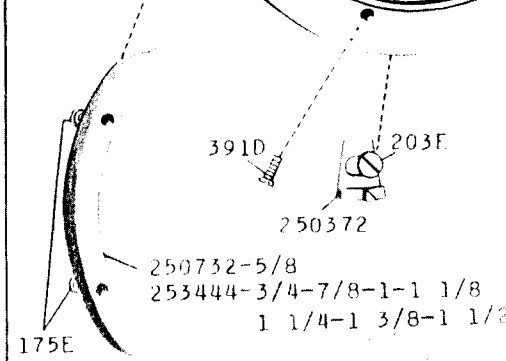
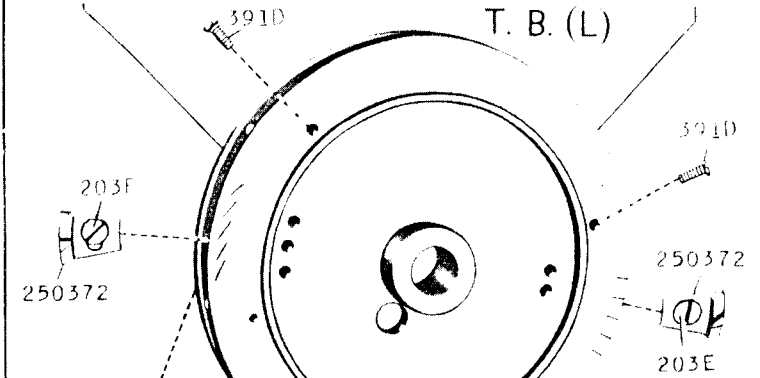


- 251425 - 5/8
- 251426 - 3/4
- 251427 - 7/8
- 251428 - 1
- 256174 - 1 1/8
- 256173-1 1/4-1 3/8-1 1/2

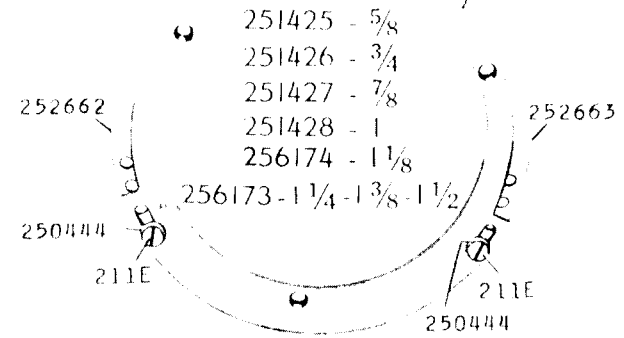
17430 - 1/2

| | | | |
|--------|--------------|----------------|--------|
| 256156 | 256157 - 5/8 | 256165 - 1 1/8 | 256164 |
| 256158 | 256159 - 3/4 | 256167 - 1 1/4 | 256166 |
| 256160 | 256161 - 7/8 | 256169 - 1 3/8 | 256168 |
| 256162 | 256163 - 1 | 256171 - 1 1/2 | 256170 |

T. B. (L)



- 251493-5/8
- 251494-3/4
- 251495-7/8
- 251496-1
- 252264-1 1/8
- 252265 { 1 1/4
- { 1 3/8
- { 1 1/2



- 251425 - 5/8
- 251426 - 3/4
- 251427 - 7/8
- 251428 - 1
- 256174 - 1 1/8
- 256173-1 1/4-1 3/8-1 1/2