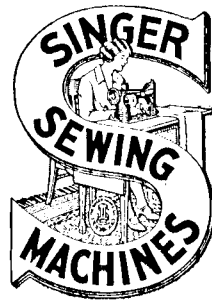


SINGER
99W100

LIST OF PARTS



MACHINE No. 99w100

THE SINGER MANUFACTURING COMPANY

INDEX

	PAGE
ACCESSORIES	43
BUTTONHOLE CORDING DEVICE	51
" CUTTING BLOCKS	50
" " KNIVES	52
COUNTER SHAFT DRIVING PULLEYS	54
DRIVING EQUIPMENT	45
KNIFE TRUEING FIXTURE	53
MACHINE No. 99w100	7
NUMERICAL LIST OF PARTS	65
ORSOLETE PARTS	63
PATTERN WHEELS	56
" WHEEL CABINET	52
SHAFT PULLEYS	54
THREAD LUBRICATING CUP	53
" UNWINDER	44

Instructions for Ordering

In ordering from this list, use **ONLY** the **PART** number in the **FIRST** column.

The number stamped on a Sewing Machine Part is the number of the Single Part only, except when the part includes Set Screws, Clamping Screws, Studs and Rollers Spun on, Small Wires riveted, or Parts soldered together, etc., which it is necessary to furnish in combination.

Every combination of parts sent out has its specific number which, although not stamped on Parts (except in above cases) must be used when ordering the combination.

Each number always indicates the **SAME PART** in whatever list it appears, or for whatever Machine.

The letters after some of the numbers indicate the style of finish only, as follows:

- A. Hardened, Polished and Plated.
- B. Polished and Plated.
- C. Hardened only.
- D. Polished only.
- E. Soft, not polished.
- F. Hardened and Polished.
- H. Blued.

These letters **MUST BE USED** when they appear in the list and **AFTER** the number, as in the list.

In this series

200001 to 201500 are Screw Numbers.

201501 to 201800 are Nut Numbers.

201801 to 202000 are Roller Numbers.

202001 and upward are numbers of Machine Parts.

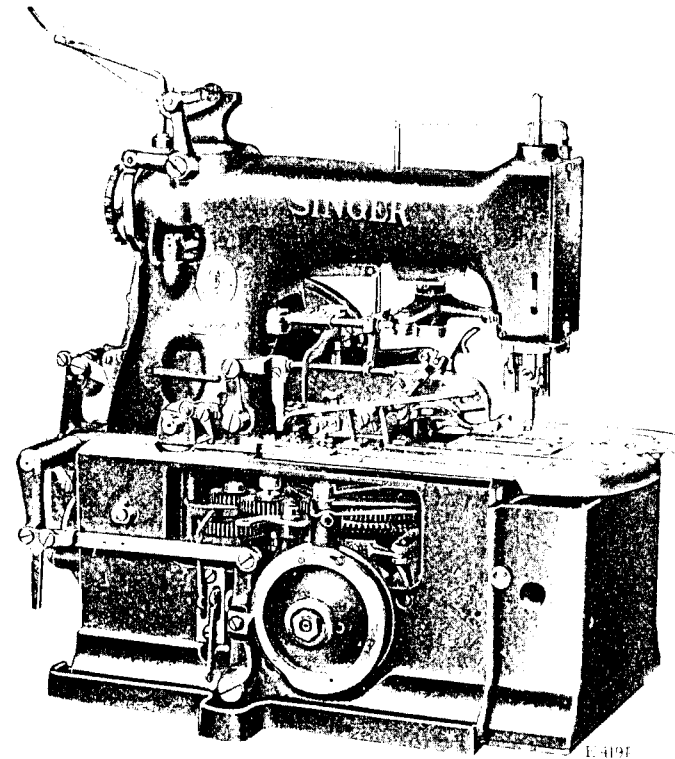
The figures in the second column refer only to the plate in which the illustration of the part is shown and are **NOT TO BE USED** in ordering.

Two or more numbers over a cut indicate that the difference between such parts is not visible in an illustration.

Parts marked with an asterisk (*) are furnished only when repairs are made at the factory.

LIST OF PARTS COMPLETE

FOR



MACHINE No. 99w100

CUTS BEFORE STITCHING

Automatic Eyelet End Buttonhole Machine, for Closely Woven Fabrics. Makes Buttonholes from $\frac{3}{8}$ to $1\frac{1}{2}$ in. long; also Straight Buttonholes

No.	Plate	Name
*251101	-	Arm
204235	13811	" Position Pin (2)
200020	13811	" Screw (4)
232488	13858	" Shaft
232489	13858	" " Bevel Gear (order Position Screw or Set Screw as required)

No.	Plate	Name
232244	13899	Arm Shaft Bevel Gear Position Pin
350223E	13931	" " " " " Screw
453E	13885	" " " " Set Screw..
232902	13812	" " Bushing (back) with 202260
232490	13812	Arm Shaft Bushing (front) with 202260
202260	----	Arm Shaft Bushing Oil Packing (wick)
200100E	13811	Arm Shaft Bushing Screw (4)
232903	13858	" " Hand Wheel with two 200341c
200341c	13858	Arm Shaft Hand Wheel Set Screw
150D	13858	" " Screw
250902	13812	" Side Cover
200110D	13811	" " " Screw (2)
*251102	---	Bed with 250078, 255509 to 255512, two each 127D, 40025 and eight 1094E
250009	---	Bed End Cover
232025	13811	" " " Catch (2)
232026	13811	" " " Position Pin (2)
250010	13811	Bed End Cover Catch Releaser (2)
204264	13871	" " " " " Stop Pin (2)
200047D	13886	Bed End Cover Catch Screw (2) ..
201531H	13886	" " " " " Nut (2)
250011	13811	" " " Support (left)
250012	13811	" " " " (right)
457c	13899	" " " " Set Screw (2)
250013	---	" Extension
250997	13811	" " Position Pin (2)
134D	13811	" " Screw (4)
250014	13858	" Shaft
255521	13932	" " Bevel Gear with two 453c
232719	13853	" " " " Position Pin (2)
453E	13885	Bed Shaft Bevel Gear Set Screw ..
232030	13812	" " Bushing (back) with 202260
202260	----	Bed Shaft Bushing (back) Oil Pack- ing (wick)
232821	13811	Bed Shaft Bushing (back) Oil Tube (brass)
230795	13811	Bed Shaft Bushing (back) Oil Tube Pin
200100E	13811	Bed Shaft Bushing (back) Screw (2)

No.	Plate	Name
250015	13812	Bed Shaft Bushing (front)
255527	13932	" " " " Oil Tube
250451	13931	" " " " " "
330D	13931	Bracket
232244	13899	Bed Shaft Bushing (front) Oil Tube Bracket Screw
200100E	13811	Bed Shaft Bushing (front) Position Pin
250017	13858	Bed Shaft Bushing (front) Screw (2)
1258E	13858	Bed Shaft Collar with two 1258E (2)
232725	13811	" " " Set Screw
9D	13811	Belt Guard
251580	13931	" " Screw
350111c	13883	Buttonhole Cutting Block (steel), 1 in. (eye or taper bar)
250468	13883	Buttonhole Cutting Block Pinch Screw
1281E	13883	Buttonhole Cutting Block Pinch Screw Washer
250020	13884	Buttonhole Cutting Block Stop Screw
40025	13883	Buttonhole Cutting Carrier Cam with 200364c
200364c	13883	Buttonhole Cutting Carrier Cam Position Pin
250021	13884	Buttonhole Cutting Carrier Cam Set Screw
50031c	13883	Buttonhole Cutting Carrier Cam with 990D, 201366c, 201524E and 201892
169Sc	13883	Buttonhole Cutting Carrier Cam Adjusting Screw Stud
39541	13883	Buttonhole Cutting Carrier Cam Adjusting Screw Stud Nut
250022	13883	Buttonhole Cutting Carrier Cam Adjusting Screw Stud Washer
201892	13883	Buttonhole Cutting Carrier Cam Adjusting Screw Stud Sleeve ...
990D	13883	Buttonhole Cutting Carrier Cam Adjusting Screw Stud Nut
201366c	13883	Buttonhole Cutting Carrier Cam Adjusting Screw Stud Nut
201524E	13883	Buttonhole Cutting Carrier Cam Adjusting Screw Stud Nut
232038	13883	Buttonhole Cutting Carrier Cam Adjusting Screw Stud Nut
		Buttonhole Cutting Carrier Lever Slide Block

No.	Plate	Name
251133	13884	Buttonhole Cutting Driving Wheel with 446e
232043	13931	Buttonhole Cutting Driving Wheel Lock
232044	13883	Buttonhole Cutting Driving Wheel Lock Spring
200051e	13883	Buttonhole Cutting Driving Wheel Lock Spring Screw
228926	13883	Buttonhole Cutting Driving Wheel Lock Spring Screw Washer
232724	13883	Buttonhole Cutting Driving Wheel Lock Stop Plate
1094e	13883	Buttonhole Cutting Driving Wheel Lock Stop Plate Screw
232150	13883	Buttonhole Cutting Driving Wheel Position Pin
446e	13883	Buttonhole Cutting Driving Wheel Set Screw
251498	- -	Buttonhole Cutting Knife (.140 x .228 eye)
250027	13883	Buttonhole Cutting Knife Adjusting Block
1100d	13883	Buttonhole Cutting Knife Adjusting Block Screw
250474	13883	Buttonhole Cutting Knife Base Plate
201474e	13883	Buttonhole Cutting Knife Base Plate Adjusting Screw (2)
1454e	13883	Buttonhole Cutting Knife Base Plate Screw
250475	13883	Buttonhole Cutting Knife Clamping Lever
350114c	13883	Buttonhole Cutting Knife Clamping Lever Hinge Screw
250030	13885	Buttonhole Cutting Knife Clamping Plate
250031	- - -	Buttonhole Cutting Lever (lower)
251267	13884	" " " 250031 with 251269 and 251270
251137	13884	Buttonhole Cutting Lever (lower) Cam with 453c
40025	13883	Buttonhole Cutting Lever (lower) Cam Position Pin
453c	13885	Buttonhole Cutting Lever (lower) Cam Set Screw
250033	13884	Buttonhole Cutting Lever (upper) with 232482, 250468, 350114c and two 232483

No.	Plate	Name
251271	13884	Buttonhole Cutting Lever (upper) Cam with 453c
40025	13883	Buttonhole Cutting Lever (upper) Cam Position Pin
453c	13885	Buttonhole Cutting Lever (upper) Cam Set Screw
250464	13884	Buttonhole Cutting Lever Bracket with 200089d
250465	13884	Buttonhole Cutting Lever Bracket Arm
50027e	13885	Buttonhole Cutting Lever Bracket Arm Screw
250530	13884	Buttonhole Cutting Lever Bracket complete, Nos. 250464, 250465 and two 50027e
250036	13885	Buttonhole Cutting Lever Bracket Gib (left)
250037	13885	Buttonhole Cutting Lever Bracket Gib (right)
232380	13885	Buttonhole Cutting Lever Bracket Gib Adjusting Plate (2)
219f	13885	Buttonhole Cutting Lever Bracket Gib Adjusting Plate Screw (4) ..
206482	13885	Buttonhole Cutting Lever Bracket Gib Adjusting Plate Screw Wash-er (4)
201176f	13885	Buttonhole Cutting Lever Bracket Gib Screw (6)
250038	13885	Buttonhole Cutting Lever Hinge Stud
200089d	13885	Buttonhole Cutting Lever Hinge Stud Set Screw
251268	13885	Buttonhole Cutting Lever Spring
251269	13885	" " " " Bracket (lower)
251270	13885	Buttonhole Cutting Lever Spring Bracket (lower) Pin
232482	13885	Buttonhole Cutting Lever Spring Bracket (upper)
232483	13885	Buttonhole Cutting Lever Spring Bracket (upper) Pin
251281	13884	Buttonhole Cutting Lock
251282	13884	" " " " Cam with two 435c
251359	13884	Buttonhole Cutting Lock Cam Guard
690d	13885	" " " " " " Screw
435c	13885	Buttonhole Cutting Lock Cam Position Screw

No.	Plate	Name
788D	13885	Buttonhole Cutting Lock Hinge Screw
251283	13884	Buttonhole Cutting Lock Rock Shaft
251284	---	Buttonhole Cutting Lock Rock Shaft 251283 with 222526 and 251286
251150	13884	Buttonhole Cutting Lock Rock Shaft Bracket (front)
232154	13886	Buttonhole Cutting Lock Rock Shaft Bracket (front) Position Pin (2)
161D	13886	Buttonhole Cutting Lock Rock Shaft Bracket (front) Screw (2)
251143	13884	Buttonhole Cutting Lock Rock Shaft Bracket (rear)
232154	13886	Buttonhole Cutting Lock Rock Shaft Bracket (rear) Pin (2) ...
145E	13886	Buttonhole Cutting Lock Rock Shaft Bracket (rear) Screw
251285	13886	Buttonhole Cutting Lock Rock Shaft Finger with 462c
250070	13886	Buttonhole Cutting Lock Rock Shaft Finger Link
201099c	13901	Buttonhole Cutting Lock Rock Shaft Finger Link Screw (2) ...
222526	13886	Buttonhole Cutting Lock Rock Shaft Finger Position Pin
462c	13886	Buttonhole Cutting Lock Rock Shaft Finger Set Screw
251286	13886	Buttonhole Cutting Lock Rock Shaft Lever with 462c and 201950
222526	13886	Buttonhole Cutting Lock Rock Shaft Lever Pin
201950	13886	Buttonhole Cutting Lock Rock Shaft Lever Roller and Stud ...
462c	13886	Buttonhole Cutting Lock Rock Shaft Lever Set Screw
251141	13886	Buttonhole Cutting Lock Spring
350215E	13931	" " " " Screw Stud
250039	13816	Buttonhole Cutting Pressure Wedge with 232056
*201155D	13816	Buttonhole Cutting Pressure Wedge Adjusting Screw
250538	---	Buttonhole Cutting Pressure Wedge Adjusting Screw 201155D with 2273, 201672E, 232054 and 232055

No.	Plate	Name
232054	13816	Buttonhole Cutting Pressure Wedge Adjusting Screw Collar
232055	13816	Buttonhole Cutting Pressure Wedge Adjusting Screw Collar Position Pin
232466	13816	Buttonhole Cutting Pressure Wedge Adjusting Screw Lock Spring ...
662D	13816	Buttonhole Cutting Pressure Wedge Adjusting Screw Lock Spring Screw
201672E	13816	Buttonhole Cutting Pressure Wedge Adjusting Screw Nut
2273	13910	Buttonhole Cutting Pressure Wedge Adjusting Screw Nut Pin
232056	13816	Buttonhole Cutting Pressure Wedge Boss
232057	13816	Buttonhole Cutting Pressure Wedge Post with 662D and 232466
200122H	13816	Buttonhole Cutting Pressure Wedge Post Screw
251560	13931	Buttonhole Cutting Safety Latch
980c	13931	" " " " Hinge Screw
251568	13931	Buttonhole Cutting Safety Latch Spring
251500	13933	Buttonhole Cutting Shaft
232383	13884	" " " Hand Crank with 201484c
201468H	13816	Buttonhole Cutting Shaft Hand Crank Cap Screw
201484c	13816	Buttonhole Cutting Shaft Hand Crank Position Screw
203172	13931	Buttonhole Cutting Shaft Hand Crank Washer
255019	---	Buttonhole Cutting Shaft Pulley (loose) with 255021, two each 172D, 210750 and eight 232817 ..
255020	13933	Buttonhole Cutting Shaft Pulley complete, Nos. 255019, two each 255022, 255023 and 350198E
232513	13816	Buttonhole Cutting Shaft Pulley Bushing
232817	13816	Buttonhole Cutting Shaft Pulley Stud
251138	13884	Buttonhole Cutting Starting Lever with 201085c
251561	13932	Buttonhole Cutting Starting Lever Arm
350134E	13886	Buttonhole Cutting Starting Lever Arm Locking Stud

No.	Plate	Name
200027c	13931	Buttonhole Cutting Starting Lever Arm Screw (2)
232718	13884	Buttonhole Cutting Starting Lever Hinge Stud
200530e	13816	Buttonhole Cutting Starting Lever Hinge Stud Set Screw
232064	13816	Buttonhole Cutting Starting Lever Latch
350148c	13886	Buttonhole Cutting Starting Lever Latch Hinge Screw
204531c	13886	Buttonhole Cutting Starting Lever Latch Hinge Screw Nut
232065	13816	Buttonhole Cutting Starting Lever Latch Spring
201218c	13816	Buttonhole Cutting Starting Lever Latch Spring Screw Stud (2) ...
200c	13816	Buttonhole Cutting Starting Lever Latch Stop Screw
201085c	13886	Buttonhole Cutting Starting Lever Restoring Screw Stud
250044	13886	Buttonhole Cutting Starting Lever Spring
350105e	13816	Buttonhole Cutting Starting Lever Spring Screw Stud
251145	13884	Buttonhole Cutting Starting Lever Trip
251146	13884	Buttonhole Cutting Starting Lever Trip Adjusting Point
704c	13886	Buttonhole Cutting Starting Lever Trip Adjusting Point Screw
251277	13886	Buttonhole Cutting Starting Lever Trip Adjusting Point Screw Washer
72b	13886	Buttonhole Cutting Starting Lever Trip Hinge Screw
251569	13931	Buttonhole Cutting Starting Lever Trip Spring
1241c	13886	Buttonhole Cutting Starting Lever Trip Spring Screw Eye
251148	13884	Buttonhole Cutting Starting Unlocking Lever with 201949
802b	13886	Buttonhole Cutting Starting Unlocking Lever Hinge Screw
1904	13886	Buttonhole Cutting Starting Unlocking Lever Roller
201949	13886	Buttonhole Cutting Starting Unlocking Lever Roller 1904 with 251213

No.	Plate	Name
*251213	-	Buttonhole Cutting Starting Unlocking Lever Roller Stud
232110	13834	Driving Wheel with 200395c and two 232113
250050	13834	Driving Wheel Gooser
232112	13834	" " Friction Gib
232113	13853	" " " " Position Pin
8873	13931	Driving Wheel Position Pin
200395c	13931	" " Set Screw
251024	13932	" " Stop Cam
251025	13932	" " " " Position Collar with 1036c
1036c	13931	Driving Wheel Stop Cam Position Collar Set Screw
250417	13864	Driving Wheel Stop Cam Spring
200096b	13864	" " " " " Position Screw
350073r	13864	Driving Wheel Stop Cam Stop Screw
232520	13812	Face Plate
641b	13853	" " Screw (2)
232521	13898	Feed Adjusting Gear
250052	13898	" " " Bracket
250053	13898	" " " " Clamping Post
690b	13885	Feed Adjusting Gear Bracket Clamping Post Screw (2)
350113c	13899	Feed Adjusting Gear Bracket Clamping Screw
250473	13899	Feed Adjusting Gear Bracket Clamping Screw Washer
201428c	13899	Feed Adjusting Gear Screw Stud ..
1518d	13899	" " " " " Nut
250054	13898	" Driving Gear (intermediate) with 457c
232721	13899	Feed Driving Gear (intermediate) Position Pin
457c	13899	Feed Driving Gear (intermediate) Set Screw
250055	13899	Feed Driving Gear (intermediate) Shaft
251279	13892	Feed Wheel with three 232382
250057	13825	" " Driving Pawl (3)
201385c	13825	" " " " Hinge Screw (3)
250058	13825	Feed Wheel Driving Pawl Spring (3)
232382	13825	Feed Wheel Driving Pawl Spring Pin

No.	Plate	Name
1449H	13825	Feed Wheel Driving Pawl Spring Screw (3)
350071E	13825	Feed Wheel Friction Ring Adjusting Screw (friction)
201522E	13825	Feed Wheel Friction Ring Adjusting Screw Lock Nut
232131	13825	Feed Wheel Friction Ring Adjusting Screw Washer (2)
251288	13892	Feed Wheel Friction Ring Bracket
200070C	13825	" " " " " Screw (2)
250060	13893	Feed Wheel Friction Ring Section (long)
250061	13893	Feed Wheel Friction Ring Section (short)
232135	13825	Feed Wheel Friction Ring Spring..
232532	13892	" " Ring
250062	13825	" " " Gib (3)
209F	13825	" " " " Screw (6) ...
201362C	13825	" " Screw Stud
250418	13909	Finger Starting Lever with 250435 and 250436
250419	13909	Finger Starting Lever Hinge Block
350080D	13909	" " " " " Hinge Screw
250420	13909	Finger Starting Lever (intermediate)
255080	13931	Finger Starting Lever (intermediate) Bracket with 208E and 991C
208E	13903	Finger Starting Lever (intermediate) Bracket Pinch Screw
158E	13865	Finger Starting Lever (intermediate) Bracket Screw
72D	13886	Finger Starting Lever (intermediate) Hinge Screw
200097C	13909	Finger Starting Lever Screw
228026	13883	" " " " Washer
251518	13931	" " " Spring
250435	13909	" " " Stud (back).
250436	13909	" " " " (front)
232539	13899	Intermittent Feed Driving Wheel with two 465C
*250395	---	Intermittent Feed Driving Wheel Bracket
232244	13899	Intermittent Feed Driving Wheel Bracket Position Pin (2)
129E	13899	Intermittent Feed Driving Wheel Bracket Screw (4)

No.	Plate	Name
250589	13931	Intermittent Feed Driving Wheel Driving Stud
204648	13899	Intermittent Feed Driving Wheel Driving Stud Position Pin
232541	13899	Intermittent Feed Driving Wheel Position Pin
465C	13899	Intermittent Feed Driving Wheel Set Screw
232542	13899	Intermittent Feed Driving Wheel Shaft
250063	13899	Intermittent Feed Driving Wheel Shaft Gear with 465C
232721	13899	Intermittent Feed Driving Wheel Shaft Gear Position Pin
465C	13899	Intermittent Feed Driving Wheel Shaft Gear Set Screw
250064	13900	Loop Retainer (left)
250065	13900	" " " Carrier
251153	13900	" " (right)
250067	13900	" " Carrier
250068	13900	" " Adjusting Block (2)..
250069	13842	" " Cam with H2E
40025	13883	" " " Position Pin
442E	13900	" " " Set Screw
250070	13886	" " Carrier Link
201431C	13886	" " " " Screw (4)
250071	13900	" " " Shaft
735E	13900	" " " " Set Screw
250073	13900	" " Driving Bar
250410	13900	" " " " Collar with 200130F
200130F	13900	Loop Retainer Driving Bar Collar Pinch Screw
185H	13900	Loop Retainer Screw (2)
250491	13931	" " " Washer (2) ..
250074	13900	" " Shim, .005 in. thick ..
250449	13900	" " " .010 in. thick ..
250450	13900	" " " .020 in. thick ..
250537	13900	" " " .030 in. thick ..
250075	13842	" " Slide with 201943 ...
250076	13900	" " " Gib (lower) (2)
250077	13900	" " " " (upper) (2)
190D	13896	" " " " Screw (6)..
*250078	---	" " " Guide Extension
40025	13883	" " " " " Position Pin
127D	13900	Loop Retainer Slide Guide Extension Screw

No.	Plate	Name
201896	13900	Loop Retainer Slide Roller
201943	- - -	" " " " 201896 with 250429
250429	13900	Loop Retainer Slide Roller Stud ..
253472	13901	Looper (non threaded)
250080	13901	" (threaded)
250081	13842	" Bracket with 735E
201658e	13901	" " Adjusting Nut
201659e	13901	" " " " Locking Nut
23421	- - -	Looper Bracket Dogging Hole Plug (leather)
250082	13842	Looper Bracket Frame Chip Guard
401D	13901	" " " " " " Screw (3)
232555	13862	Looper Bracket Rotating Gear with 906E
250084	13862	Looper Bracket Rotating Gear Posi- tion Pin
906E	13862	Looper Bracket Rotating Gear Set Screw
250085	13901	Looper Carrier
201433e	13901	" " Hinge Screw
250086	13901	" " Link
201099e	13901	" " Hinge Screw (2)
250087	13901	" Driving Bar
250088	13901	" " Connection with H20e, 250471 and two 233D
250471	13901	Looper Driving Connection Plate
233D	13901	" " " " " Screw
1120e	13901	Looper Driving Connection Set Screw
250089	13901	Looper Driving Connection Slide Rod
250090	13901	Looper Driving Connection Slide Rod Bushing (lower)
250091	13901	Looper Driving Connection Slide Rod Bushing (upper)
250092	13901	Looper Driving Crank
250446	13901	" " Bushing
201176E	13885	" " " " Screw (2)
250094	13901	Looper Driving Crank Gear with 735E
250095	13901	Looper Driving Crank Gear Posi- tion Pin
735E	13900	Looper Driving Crank Gear Set Screw

No.	Plate	Name
250096	13901	Looper Driving Crank Link
199e	13907	" " " " Cap Screw
64e	13864	Looper Driving Crank Link Hinge Screw
250097	13839	Looper Driving Disc
255035	-	" " " 250097 with 201435e and 201704e
201435e	13839	Looper Driving Disc Screw Stud
201704e	13839	" " " " " Nut
250098	13839	Looper Driving Gear
176D	13839	" " " Screw (3) ..
201898	13839	" " Roller
201953	-	" " " 201898 with 20144e and 250099 (2)
20144e	13839	Looper Driving Roller Cap Screw
250099	13839	" " " Stud
250100	13839	" Frame
250462	13840	" " Chip Guard
232866	13840	" " Position Pin (2)
201082E	13840	" " Screw (3)
190D	13896	" Screw (2)
250101	13840	" " Washer (2)
232270	13840	" Thread and Cord Clamping Spring (long)
232271	13840	Looper Thread and Cord Clamping Spring (short)
200186B	13840	Looper Thread and Cord Clamping Spring Screw
232272	13840	Looper Thread and Cord Cutter
200186B	13840	" " " " " Screw
250425	13840	Looper Thread Controlling Cam
236D	13840	" " " " " Screw (2)
250426	13840	Looper Thread Controlling Lever with 201979
250427	13840	Looper Thread Controlling Lever Bracket
183E	13891	Looper Thread Controlling Lever Bracket Screw (2)
50061e	13840	Looper Thread Controlling Lever Hinge Screw
201979	13331	Looper Thread Controlling Lever Roller and Stud
250428	13840	Looper Thread Controlling Lever Spring
1120e	13901	Looper Thread Controlling Lever Spring Screw

No.	Plate	Name
253513	13931	Looper Thread Controlling Spring
253488	13931	" " " "
		Stop
219E	13885	Looper Thread Controlling Spring
		Stop Set Screw
18859	13840	Looper Thread Guide
250102	13840	" " Leader
1423F	13840	" " " Screw
32012	13902	" " Tension Disc (2)
253530	13931	" " " Releaser
253531	13932	" " " " Lever
350224E	13934	" " " " " "
		Hinge Screw
253532	13933	Looper Thread Tension Releaser
		Lever Rod
253535	13932	Looper Thread Tension Releaser
		Lever Rod Collar with 237F (2)
237F	13896	Looper Thread Tension Releaser
		Lever Rod Collar Set Screw
251170	13856	Looper Thread Tension Releaser
		Lever Spring
1550J	13896	Looper Thread Tension Releaser
		Nut
7071	13896	Looper Thread Tension Releaser
		Nut Washer
253534	13932	Looper Thread Tension Releaser
		Operating Cam Block with 219E
219E	13885	Looper Thread Tension Releaser
		Operating Cam Block Set Screw
253533	13932	Looper Thread Tension Releaser
		Operating Lever with 237F
237F	13896	Looper Thread Tension Releaser
		Operating Lever Set Screw
232515	13902	Looper Thread Tension Spring
1043c	13902	" " " Stud
171E	13896	" " " " Set Screw
1560c	13902	" " " Thumb Nut
232516	13902	" " Tube (brass)
232517	13902	" " " Bracket (2)
190D	13896	" " " " Screw (2)
253152	13934	Lower Cord Controlling Spring
253153	13934	" " " " " "
		Bracket
217E	13864	Lower Cord Controlling Spring
		Bracket Screw
236D	13840	Lower Cord Controlling Spring
		Screw
7071	13896	Lower Cord Controlling Spring
		Screw Washer

No.	Plate	Name
32012	13902	Lower Cord Tension Disc (2)
232515	13902	" " " Spring
637E	13934	" " " Stud
1560c	13902	" " " Thumb Nut ...
232516	13902	" " Tube (brass)
250451	13931	" " " Bracket (2)
250105	13901	Needle Bar Driving Crank with
		200394c and two 200382c
40025	13883	Needle Bar Driving Crank Position
		Pin
200394c	13903	Needle Bar Driving Crank Set
		Screw
250106	13903	Needle Driving Bar
232177	13903	" " " Bushing
232176	13903	" " " Collar with
		200083E
200083E	13903	Needle Driving Bar Collar Pinch
		Screw
232178	13903	Needle Driving Bar Link
232709	13903	" " " " Hinge Stud
		with 222598
222598	----	Needle Driving Bar Link Hinge
		Stud Oil Packing (wick)
200382c	13903	Needle Driving Bar Link Hinge
		Stud Set Screw
250108	13903	Needle Driving Bar Swivel with
		210933
210933	----	Needle Driving Bar Swivel Oil
		Packing (wick)
255072	13934	Needle Guard
230E	13934	" " Screw
233D	13901	" " " (support end) ..
255073	13934	" " Support
251214	13903	" Holder with 904
251154	13903	" " Gauge Plate
201482b	13903	" " " " Adjusting
		Screw
250112	13903	Needle Holder Gauge Plate Block
201670c	13903	" " " " " "
		Adjusting Nut
201670c	13903	Needle Holder Gauge Plate Block
		Adjusting Nut Lock Nut
200124H	13903	Needle Holder Gauge Plate Screw
		(2)
208E	13903	Needle Holder Screw
251215	13903	" " Slide
250114	13903	" " " Lever with
		255056
201434c	13903	Needle Holder Slide Lever Hinge
		Screw

No.	Plate	Name
255056	13934	Needle Holder Slide Lever Pin
250115	13903	" " " " Stud
208E	13903	" " " " " Screw
250116	13903	" " " " " " Washer
251155	13903	Needle Holder Slide Spring
201225c	13903	" " " " Stud
250117	13862	" Rotating Gear with 735F
250118	13862	" " " " Key
735L	13900	" " " " Set Screw
904F	13903	" Set Screw
253629	13934	" Thread Controller
1520J	13856	" " " " Nut
255004	13934	" " " " Spring
255005		" " " " " Bracket with 171F
255067	13934	Needle Thread Controller Spring Bracket 255005 with 231c, 25208L, 255004, 255006 and 255007
18587	13934	Needle Thread Controller Spring Bracket Position Pin
202E	13934	Needle Thread Controller Spring Bracket Screw
255006	13934	Needle Thread Controller Spring Stop
231E	13893	Needle Thread Controller Spring Stop Adjusting Screw
255007	13934	Needle Thread Controller Spring Thread Guide
252081	13934	Needle Thread Controller Stud
171E	13896	" " " " " Set Screw
10145	13934	Needle Thread Guide
250119	13934	" " " " "
232792	13932	" " Leader
1664I	13934	" " " " Nut
10106	13931	" " Retainer Disc
39713	13934	" " " " Spring
996E	13934	" " " " " Screw Stud
252081	13934	Needle Thread Retainer Stud
171E	13896	" " " " " Set Screw
252082	13934	Needle Thread Retainer Tension Disc
252083	13932	Needle Thread Tension Bracket
159D	13934	" " " " " Screw (2)

No.	Plate	Name
32012	13902	Needle Thread Tension Disc (2)
154c	13936	" " " " Releasing Adjusting Screw
1550J	13896	Needle Thread Tension Releasing Adjusting Screw Nut
255008	13936	Needle Thread Tension Releasing Block with 200r
200E	13816	Needle Thread Tension Releasing Block Set Screw
240D	13936	Needle Thread Tension Releasing Block Stop Screw
32572	13846	Needle Thread Tension Releasing Disc
255009	13933	Needle Thread Tension Releasing Lever
255010	13933	Needle Thread Tension Releasing Lever Bracket
200346c	13936	Needle Thread Tension Releasing Lever Bracket Adjusting Screw
115E	13886	Needle Thread Tension Releasing Lever Bracket Screw (lower)
200062H	13936	Needle Thread Tension Releasing Lever Bracket Screw (upper)
35D	13936	Needle Thread Tension Releasing Lever Hinge Screw
255011	13936	Needle Thread Tension Releasing Lever Spring
39635	13936	Needle Thread Tension Releasing Pin
255013	13935	Needle Thread Tension Releasing Rod
255014	13936	Needle Thread Tension Releasing Rod Bracket
190D	13896	Needle Thread Tension Releasing Rod Bracket Screw (2)
255015	13936	Needle Thread Tension Releasing Rod Plate
792E	13936	Needle Thread Tension Releasing Rod Plate Screw (2)
208E	13903	Needle Thread Tension Releasing Rod Screw
13710	13846	Needle Thread Tension Spring
1388c	13846	" " " " Stud
1560c	13902	" " " " Thumb Nut
250140	13848	" Vibrating Adjusting Link
741c	13847	" " " " " Hinge Screw
350076c	13847	Needle Vibrating Adjusting Stud
1671c	13847	" " " " " Nut

No.	Plate	Name
1230F	13851	Rapid Feed Clutch Driving Disc Screw (4)
201897	13851	Rapid Feed Clutch Roller (3)
255095	13932	" " " " Carrier with 624E
40025	13883	Rapid Feed Clutch Roller Carrier Position Pin
624E	13851	Rapid Feed Clutch Roller Carrier Set Screw
250153	13851	Rapid Feed Clutch Roller Retainer (3)
208E	13903	Rapid Feed Clutch Roller Retainer Screw (3)
255096	13936	Rapid Feed Clutch Roller Spring (3)
255097	13936	Rapid Feed Clutch Roller Spring Guide Pin (3)
250158	13851	Rapid Feed Crank Shaft
250159	13851	" " " " Bushing (back)
250160	13851	Rapid Feed Crank Shaft Bushing (back) Oil Tube (lower) (brass)
250495	13851	Rapid Feed Crank Shaft Bushing (back) Oil Tube (upper) (brass)
250161	13851	Rapid Feed Crank Shaft Bushing (front)
436C	13851	Rapid Feed Crank Shaft Bushing Set Screw (2)
232600	13851	Rapid Feed Crank Shaft Collar with two 453C
453C	13885	Rapid Feed Crank Shaft Collar Set Screw
250452	13852	Rapid Feed Crank Shaft Gear with 458C
232719	13853	Rapid Feed Crank Shaft Gear Posi- tion Pin
458C	13853	Rapid Feed Crank Shaft Gear Set Screw
202260	—	Rapid Feed Crank Shaft Oil Pack- ing (wick) (2)
250163	13852	Rapid Feed Driving Gear
250398	13907	" " " " Key
250164	13852	" " Gear Guard
641D	13853	" " " " Screw (2) ..
250534	13852	" " Intermediate Gear (bronze)
201447C	13853	Rapid Feed Intermediate Gear Screw Stud
1510E	13853	Rapid Feed Intermediate Gear Screw Stud Nut

No.	Plate	Name
250167	13852	Rapid Feed Intermediate Gear Screw Stud Nut Washer
250405	13853	Rapid Feed Intermediate Gear Screw Stud Washer
253536	13935	Rapid Feed Pawl Bell Crank with 202299
11C	13853	Rapid Feed Pawl Bell Crank Hinge Screw
202299	—	Rapid Feed Pawl Bell Crank Oil Packing (wick)
250171	13853	Rapid Feed Pawl Bell Crank Slide Block Section (2)
250172	13853	Rapid Feed Pawl Guide
181D	13853	" " " " Screw (2) ..
350260C	13936	" " " " Hinge Screw
1655E	13936	" " " " " Nut ..
252266	13935	" " Slide Bar
250174	13852	" " " " Bushing (left)
145E	13886	" " " " " " " Screw (2)
250175	13852	Rapid Feed Slide Bar Bushing (right)
647E	13904	Rapid Feed Slide Bar Bushing (right) Screw (2)
252269	13936	Rapid Feed Slide Bar Collar with two 448C
40025	13883	Rapid Feed Slide Bar Collar Posi- tion Pin
448C	13862	Rapid Feed Slide Bar Collar Set Screw
252267	13935	Rapid Feed Slide Bar Fork Conne- ction with 889C
200603E	13853	Rapid Feed Slide Bar Fork Conne- ction Position Screw
201448C	13907	Rapid Feed Slide Bar Fork Conne- ction Screw Stud
889C	13853	Rapid Feed Slide Bar Fork Conne- ction Set Screw
253538	13936	Rapid Feed Slide Bar Fork Exten- sion Plate
176D	13839	Rapid Feed Slide Bar Fork Exten- sion Plate Screw (2)
252306	13935	Rapid Feed Slide Bar Lock
252271	13936	" " " " " " Block
232055	13816	" " " " " " " Position Pin
704E	13886	Rapid Feed Slide Bar Lock Block Screw
350262E	13936	Rapid Feed Slide Bar Lock Hinge Screw

No.	Plate	Name
250409	13896	Rapid Feed Slide Bar Lock Spring
1241E	13886	" " " " " "
		Screw Eye
251164	13907	Rapid Feed Slide Bar Locking Plunger with 232113
250178	13853	Rapid Feed Slide Bar Locking Plunger Bracket
145E	13886	Rapid Feed Slide Bar Locking Plunger Bracket Screw (2)
232113	13853	Rapid Feed Slide Bar Locking Plunger Guide Pin
250179	13853	Rapid Feed Slide Bar Locking Plunger Spring
350128E	13853	Rapid Feed Slide Bar Locking Plunger Spring Adjusting Screw
1517E	13853	Rapid Feed Slide Bar Locking Plunger Spring Adjusting Screw Nut
252273	13936	Rapid Feed Slide Bar Spring
144E	13936	" " " " " " Cap Screw
252274	13936	Rapid Feed Slide Bar Spring Cap Screw Washer
250180	13907	Rapid Feed Starting Latch
199E	13907	" " " " " " Cap Screw
251166	13907	Rapid Feed Starting Lever with 1241E, 1454E, 200293D and 201957
255053	13935	Rapid Feed Starting Lever (oper- ated by stop motion) with 704E, 1454E, 203213 and 255054
232541	13899	Rapid Feed Starting Lever Position Pin, for 251166
201445E	13907	Rapid Feed Starting Lever Position Screw, for 255053
201957	13907	Rapid Feed Starting Lever Roller
200293D	13907	" " " " " "
		Screw Stud
1454E	13883	Rapid Feed Starting Trip Lever Set Screw
251499	13935	Rapid Feed Starting Lever Shaft
250186	13907	" " " " " "
		Collar (left) with 200413E
200413E	13907	Rapid Feed Starting Lever Shaft Collar Set Screw
251212	13907	Rapid Feed Starting Lever Spring
1241E	13886	" " " " " "
		Screw Eye

No.	Plate	Name
255054	13936	Rapid Feed Starting Lever Stud
704E	13886	" " " " " "
		Set Screw
203213	13936	Rapid Feed Starting Lever Stud Spring
253537	13935	Rapid Feed Starting Pawl
250188	13907	" " " " " " Spring
201454E	13907	" " " " " " "
		Screw Eye
250189	13855	Rapid Feed Starting Trip Lever with 1454E
201445E	13907	Rapid Feed Starting Trip Lever Position Screw
201437E	13907	Rapid Feed Starting Trip Lever Screw Stud
1454E	13883	Rapid Feed Starting Trip Lever Set Screw
251299	13907	Rapid Feed Starting Tripping Point
203E	13896	" " " " " " "
		Screw (2)
250190	13856	Rapid Feed Stop Latch
201446E	13856	" " " " " " Hinge Screw Stud
194E	13856	Rapid Feed Stop Latch Screw Stud
250191	13856	" " " " " " Spring
1241E	13886	" " " " " " " Screw Eye
250192	13855	Rapid Feed Stop Pawl
250188	13907	" " " " " " Spring
1241E	13886	" " " " " " " Screw Eye
250194	13856	Rapid Feed Stop Trip Lever
56E	13825	" " " " " " " Hinge Screw
251168	13856	Rapid Feed Tripping Pawl
350109E	13856	" " " " " " " Hinge Screw
251169	13856	Rapid Feed Tripping Pawl Lever
250432	13856	" " " " " " " "
		Bracket
232151	13886	Rapid Feed Tripping Pawl Lever Bracket Position Pin (2)
350110E	13856	Rapid Feed Tripping Pawl Lever Bracket Screw
14017	13891	Rapid Feed Tripping Pawl Lever Bracket Screw Washer
72E	13886	Rapid Feed Tripping Pawl Lever Hinge Screw
1520J	13856	Rapid Feed Tripping Pawl Lever Hinge Screw Nut

No.	Plate	Name
232083	13937	Rapid Feed Tripping Pawl Spring
1241e	13886	" " " " " "
		Screw Eye
1242e	13937	Rapid Feed Tripping Pawl Spring
		Screw Stud
250195	13855	Rapid Feed Worm with 453c
25362	"	" " " " Ball
250196	13855	" " " " Bearing Cup
225007	13856	" " " " Retainer with
		eight 25362
232244	13899	Rapid Feed Worm Position Pin ..
453c	13885	" " " " Set Screw
250197	13855	" " " " Wheel
250198	13855	" " " " Collar with
		two 453c
453c	13885	Rapid Feed Worm Wheel Collar
		Set Screw
202244	"	Rapid Feed Worm Wheel Oil Pack-
		ing (wick)
250199	13910	Starting Bell Crank
3c	13910	" " " " Hinge Screw ..
250200	13910	" Latch
648d	13910	" " " " Hinge Screw
250201	13910	" " " " Spring
203e	13896	" " " " Screw
251289	13910	" Rod
251292	13910	" " " " Collar with 646e (2) ..
40043	13909	" " " " with 209c
2273	13910	" " " " Position Pin (2) ..
646e	13909	" " " " Screw Stud
209c	13825	" " " " Set Screw
251290	13910	" " " " Guide Plate
200058e	13910	" " " " " " Screw
251291	13910	" " " " Lock
74e	13910	" " " " " " Hinge Screw
232200	13910	" " " " " " Spring
1241e	13886	" " " " " " Screw Eye ..
251293	13910	" " " " " " Tripping Point
207f	13896	" " " " " " " "
		Screw
251294	13908	Starting Rod Safety Lock
226467	13908	" " " " " " Friction
		Washer
200265e	13908	Starting Rod Safety Lock Hinge
		Screw
251295	13908	Starting Rod Safety Lock Stop Pin
251296	13910	" " " " " " Spring

No.	Plate	Name
250210		Stitch Regulating Gear, 22 teeth ..
250211	"	" " " " 26 teeth ..
250212	13899	" " " " 28 teeth ..
250598	"	" " " " 30 teeth ..
250213	13899	" " " " 33 teeth ..
		Note. No. 250213 is furnished with this
		machine unless another Stitch Regulat-
		ing Gear is specified on order.
250214	13899	Stitch Regulating Gear, 34 teeth ..
250415	"	" " " " 38 teeth ..
250478	"	" " " " 42 teeth ..
201660c	13899	" " " " Lock Nut.
250215	13861	" Rotating Lever (lower) with
		158c
201442e	13862	Stitch Rotating Lever (lower) Posi-
		tion Screw
201871	13862	Stitch Rotating Lever (lower)
		Roller
350066c	13862	Stitch Rotating Lever (lower)
		Roller Screw Stud
201666e	13862	Stitch Rotating Lever (lower)
		Roller Screw Stud Nut
158c	13853	Stitch Rotating Lever (lower) Set
		Screw
232591	13861	Stitch Rotating Lever (upper) with
		448c
40025	13883	Stitch Rotating Lever (upper) Posi-
		tion Pin
448c	13862	Stitch Rotating Lever (upper) Set
		Screw
232807	13862	Stitch Rotating Lever Connection
		(front section) (lower)
232593	13862	Stitch Rotating Lever Connection
		(front section) (upper)
232808	13862	Stitch Rotating Lever Connection
		(rear section) (lower)
232592	13862	Stitch Rotating Lever Connection
		(rear section) (upper)
58f	13862	Stitch Rotating Lever Connection
		Hinge Screw (4)
172d	13862	Stitch Rotating Lever Connection
		Screw (lower)
39504	13862	Stitch Rotating Lever Connection
		Screw Washer (lower)
193d	13862	Stitch Rotating Lever Connection
		Screw (upper)
232717	13862	Stitch Rotating Lever Connection
		Screw Washer (upper)

No.	Plate	Name
232764	-----	Stitch Rotating Lever Connection (lower) complete, Nos. 232807, 232808, two each 172b and 39504
250400	-----	Stitch Rotating Lever Connection (upper) complete, Nos. 232592, 232593, 232717 and two 193b
250394	13861	Stitch Rotating Lever Rock Shaft
250216	13861	" " Sector (lower)
232597	13861	" " " " Bracket
690D	13885	" " " " " Screw
228163	13862	Stitch Rotating Sector (lower) Bracket Screw Washer
350087c	13862	Stitch Rotating Sector (lower) Hinge Screw
250217	13861	Stitch Rotating Sector (upper)
232599	13861	" " " " Bracket
201395D	13862	Stitch Rotating Sector (upper) Bracket Screw (2)
23414	13862	Stitch Rotating Sector (upper) Position Collar with two 453c ..
453c	13885	Stitch Rotating Sector (upper) Position Collar Set Screw
251026	13933	Stop Lever with 200352c
232262	13777	" " Bracket
350263E	13937	" " " Screw
250218	13777	" " Crank with 453c
40025	13883	" " " Position Pin
453c	13885	" " " Set Screw
232263	13864	" " Friction Pad (rawhide)
200110D	13811	" " " " Screw (2)
255099	13937	" " Interlocking Slide
201084c	13864	" " " " Adjust- ing Screw
201628D	13864	Stop Lever Interlocking Slide Ad- justing Screw Nut
1178D	13891	Stop Lever Interlocking Slide Screw
232265	13864	Stop Lever Interlocking Slide Screw Washer
250416	13864	Stop Lever Interlocking Slide Spring
250219	13777	Stop Lever Link
250220	13777	" " " Connection
250221	13864	" " " " Locking Pin
250222	13864	" " " " " Spring
217D	13864	Stop Lever Link Connection Lock- ing Pin Spring Screw (2)

No.	Plate	Name
807D	13895	Stop Lever Link Connection Screw (front)
350225D	13937	Stop Lever Link Connection Screw (back)
64c	13864	Stop Lever Link Hinge Screw
250223	13777	" " Operating Lever
11c	13853	" " " " Hinge Screw
250224	13864	Stop Lever Operating Plate
157c	13864	" " " " " Screw
39541	13883	" " " " " Washer
40025	13883	Stop Lever Position Pin
200352c	13871	" " Set Screw
250225	13710	" " Shaft
250404	13864	" " Spring
201110D	13864	" " " Screw
251368	13902	Throat Plate, for medium cord
250447	13902	" " Adjusting Block
176D	13839	" " Screw
250560	13937	" " " Washer
250590	13777	Vertical Shaft with two each 204648 and 250589
255522	13935	Vertical Shaft Bevel Gear (lower) with two 453c
232719	13853	Vertical Shaft Bevel Gear (lower) Position Pin
250227	13858	Vertical Shaft Bevel Gear (upper) (order Position Screw or Set Screw as required)
40025	13883	Vertical Shaft Bevel Gear (upper) Position Pin
350223E	13931	Vertical Shaft Bevel Gear (upper) Position Screw
453E	13885	Vertical Shaft Bevel Gear Set Screw
250396	13812	Vertical Shaft Bushing (lower)
200100E	13811	" " " " " Screw (2)
232710	13812	Vertical Shaft Bushing (upper) ...
575c	13811	" " " " " Set Screw
250523	13889	Work Clamp Arm (left)
250524	13889	" " " (right)
250525	13889	" " " Bracket (left)
255057	-----	" " " " " " 250525 with 250268, 250551, 250552, 253666 and three 2269

No.	Plate	Name
250526	13889	Work Clamp Arm Bracket (right)
255058	"	" " " " "
		250526 with 250266, 250528, 250529, 253666 and three 2269
201129d	13937	Work Clamp Arm Bracket Screw (back)
253666	13937	Work Clamp Arm Cam with 209f ..
2269	13895	" " " " Position Pin
209f	13825	" " " " Set Screw.
250552	13937	" " " " Shaft (left)
250528	13937	" " " " " (right)
201237f	13937	" " " " Stop Screw
201537u	13937	" " " " " "
		Nut
252184	13937	Work Clamp Arm Hinge Block
350123e	13937	" " " " " "
		Hinge Screw
200051e	13883	Work Clamp Arm Screw
13218	13937	" " " Spring
350136e	13937	" " " " Screw
251180	13889	" " Base (left) with 251184
251593	"	" " " " 251180 with 194c, 217e, 602e, 792d, 991e, 1443e, 1550j, 7071, 10249, 13218, 200051e, 200097c, 201237e, 201537u, 228026, 250236, 250241, 250418, 250419, 250523, 251511, 251518, 251519, 251609, 252184, 252202, 255003, 255016, 255057, 350080b, 350136e, two each 207e, 201129d, 350123e and nine 934u
250236	13889	Work Clamp Base (left) Guard
934u	13892	" " " " " "
		Screw
251181	13889	Work Clamp Base (right) with 251184
251594	"	Work Clamp Base (right) 251181 with 602e, 792d, 991e, 1443e, 1550j, 13218, 200051e, 201237e, 201537u, 232270 to 232272, 250238, 250242, 250275, 250524, 251512, 251610, 252184, 252202, 255003, 255016, 255058, 350136e, two each 200186b, 201129d, 350123e, four 207e and nine 934u
250238	13889	Work Clamp Base (right) Guard
934u	13892	" " " " " "
		Screw

No.	Plate	Name
251609	13935	Work Clamp Base Clamping Plate (left)
251610	13935	Work Clamp Base Clamping Plate (right)
934H	13892	Work Clamp Base Clamping Plate Screw
251184	13887	Work Clamp Base Hinge Stud ...
250439	13937	" " " Retaining Stud.
250241	13887	" " " Spring (left) ..
250242	13887	" " " " (right) ..
1443F	13937	" " " " Screw ...
201451E	13887	" " " " Stud (2)
251360	13887	Work Clamp Base Stop Block (left)
251361	13887	" " " " " (right)
232310	13887	" " " " " Posi- tion Pin (4)
200900u	13887	Work Clamp Base Stop Block Screw (4)
251185	13892	Work Clamp Carrier Base Plate with 250439
251186	13892	Work Clamp Carrier Base Plate Extension
934H	13892	Work Clamp Carrier Base Plate Extension Screw (2)
232462	13893	Work Clamp Carrier Base Plate Slide Rod
201643E	13825	Work Clamp Carrier Base Plate Slide Rod Nut
200119d	13937	Work Clamp Carrier Base Plate Slide Rod Set Screw
250244	13893	Work Clamp Carrier Feed Lever
350185c	13937	" " " " " "
		Hinge Screw
250245	13825	Work Clamp Carrier Feed Lever Link
250246	13825	Work Clamp Carrier Feed Lever Link Block
50168E	13825	Work Clamp Carrier Feed Lever Link Block Screw (2)
350070c	13825	Work Clamp Carrier Feed Lever Link Hinge Screw (block end) ..
350216c	13937	Work Clamp Carrier Feed Lever Link Hinge Screw (lever end) ..
201868	13825	Work Clamp Carrier Feed Lever Roller

No.	Plate	Name
201988		Work Clamp Carrier Feed Lever Roller 201868 with 255075 and 350072e
350072e	13825	Work Clamp Carrier Feed Lever Roller Cap Screw
255075	13937	Work Clamp Carrier Feed Lever Roller Stud
255076	13937	Work Clamp Carrier Feed Lever Roller Stud Washer
250248	13892	Work Clamp Carrier Side Throw Lever (lower section) with 201097c and 201530e
250249	13892	Work Clamp Carrier Side Throw Lever (upper section) with 201374e and 201937
250599	13937	Work Clamp Carrier Side Throw Lever Hinge Stud
250600	13937	Work Clamp Carrier Side Throw Lever Hinge Stud Collar with two 448c
448c	13862	Work Clamp Carrier Side Throw Lever Hinge Stud Collar Set Screw
435c	13885	Work Clamp Carrier Side Throw Lever Hinge Stud Set Screw ..
250250	13825	Work Clamp Carrier Side Throw Lever Lock Pin with 201940 and 350072e
201940	13825	Work Clamp Carrier Side Throw Lever Lock Pin Roller
350072e	13825	Work Clamp Carrier Side Throw Lever Lock Pin Roller Cap Screw
201430c	13825	Work Clamp Carrier Side Throw Lever Lock Pin Screw Stud
250251	13825	Work Clamp Carrier Side Throw Lever Lock Pin Spring
191c	13825	Work Clamp Carrier Side Throw Lever Lock Pin Spring Screw (2)
201873	13825	Work Clamp Carrier Side Throw Lever Roller
201937	13825	Work Clamp Carrier Side Throw Lever Roller 201873 with 201144e and 232686
201144e	13839	Work Clamp Carrier Side Throw Lever Roller Cap Screw
232686	13893	Work Clamp Carrier Side Throw Lever Roller Stud
201374e	13893	Work Clamp Carrier Side Throw Lever Roller Stud Cap Screw ..

No.	Plate	Name
232321	13893	Work Clamp Carrier Side Throw Lever Slide Block
250252	13893	Work Clamp Carrier Side Throw Lever Slide Block Guide
231c	13893	Work Clamp Carrier Side Throw Lever Slide Block Guide Screw (3)
201097c	13893	Work Clamp Carrier Side Throw Lever Slide Block Screw Stud ..
201530e	13893	Work Clamp Carrier Side Throw Lever Slide Block Screw Stud Nut
250253	13892	Work Clamp Carrier Slide (left) with 200119d
250254	13892	Work Clamp Carrier Slide (right) with 200119d
236d	13840	Work Clamp Carrier Slide Adjusting Bracket Screw (2)
255082	13938	Work Clamp Carrier Slide Adjusting Bracket with 255061 and two 208d
208d	13903	Work Clamp Carrier Slide Adjusting Screw
255061	13938	Work Clamp Carrier Slide Adjusting Screw Locking Plate
255509	13938	Work Clamp Carrier Slide Gib (left back)
255510	13938	Work Clamp Carrier Slide Gib (left, front)
255511	13938	Work Clamp Carrier Slide Gib (right, back)
255512	13938	Work Clamp Carrier Slide Gib (right, front)
1094e	13883	Work Clamp Carrier Slide Gib Screw
251187	13892	Work Clamp Carrier Slide Stay Plate
250597	13938	Work Clamp Carrier Slide Stay Plate Position Pin (2)
231c	13893	Work Clamp Carrier Slide Stay Plate Screw (5)
251511	13938	Work Clamp Check (left) with 1296e
251512	13938	Work Clamp Check (right) with 1296e
602e	13887	Work Clamp Check Screw
1296e	13912	" " " Stop Screw ..
251358	13890	" " Closing Lever
250266	13887	" " " (hand) with 209f

No.	Plate	Name
2269	13895	Work Clamp Closing Lever (hand) Position Pin
209F	13825	Work Clamp Closing Lever (hand) Set Screw
252196	13890	Work Clamp Closing Lever Adjusting Arm with 201531n, 201948 and 228026
1178D	13891	Work Clamp Closing Lever Adjusting Arm Screw
14017	13891	Work Clamp Closing Lever Adjusting Arm Screw Washer
255021	13935	Work Clamp Closing Lever Cam Groove Protector
210750	13890	Work Clamp Closing Lever Cam Groove Protector Position Pin ..
172D	13862	Work Clamp Closing Lever Cam Groove Protector Screw
255022	13938	Work Clamp Closing Lever Cam Safety Latch
350198F	13938	Work Clamp Closing Lever Cam Safety Latch Hinge Screw
255023	13938	Work Clamp Closing Lever Cam Safety Latch Spring
250261	13891	Work Clamp Closing Lever Disengaging Block
183C	13891	Work Clamp Closing Lever Disengaging Block Screw
250406	13891	Work Clamp Closing Lever Disengaging Block Shim (.005 in. thick)
250407	13891	Work Clamp Closing Lever Disengaging Block Shim (.010 in. thick)
255068	13938	Work Clamp Closing Lever Engaging Stud
250263	13890	Work Clamp Closing Lever Engaging Stud Latch
250264	13891	Work Clamp Closing Lever Engaging Stud Latch Spring
1241E	13886	Work Clamp Closing Lever Engaging Stud Latch Spring Screw Eye
201956	13938	Work Clamp Closing Lever Engaging Stud Roller
255069	13938	Work Clamp Closing Lever Engaging Stud Roller Cap
350133E	13891	Work Clamp Closing Lever Engaging Stud Screw
250265	13891	Work Clamp Closing Lever Engaging Stud Spring

No.	Plate	Name
255070	- -	Work Clamp Closing Lever Engaging Stud complete, Nos. 201956, 255068, 255069 and 350133E
201438C	13891	Work Clamp Closing Lever Hinge Screw
201947	13891	Work Clamp Closing Lever Roller
201948	13891	" " " " "
		201947 with 350156E
350156E	13891	Work Clamp Closing Lever Roller Screw Stud
201531n	13886	Work Clamp Closing Lever Roller Screw Stud Nut
228026	13883	Work Clamp Closing Lever Roller Screw Stud Nut Washer
250267	13891	Work Clamp Closing Lever Spring
1241E	13886	" " " " "
		Screw Eye (2)
991C	13896	Work Clamp Closing Lever Stop Screw
250268	13887	Work Clamp Connection Lever (left) with 209E
250529	13887	Work Clamp Connection Lever (right) with 209E
2269	13895	Work Clamp Connection Lever Position Pin
209E	13825	Work Clamp Connection Lever Set Screw
251191	13894	Work Clamp Opening Bell Crank
659D	13895	" " " " "
		Hinge Screw
232200	13910	Work Clamp Opening Bell Crank Spring
1241E	13886	Work Clamp Opening Bell Crank Spring Screw Eye
250548	13894	Work Clamp Opening Latch
90E	13894	" " " " Hinge Screw
251193	13894	Work Clamp Opening Latch Spring
207F	13896	" " " " "
		Screw
7071	13896	Work Clamp Opening Latch Spring Screw Washer
200E	13816	Work Clamp Opening Latch Stop Screw
250551	13895	Work Clamp Opening Lever with 1253C
251519	13939	Work Clamp Opening Lever Latch
251520	13939	" " " " "
		Releasing Block with 200E

No.	Plate	Name
200E	13816	Work Clamp Opening Lever Latch Releasing Block Set Screw
10249	13939	Work Clamp Opening Lever Latch Spring
217E	13864	Work Clamp Opening Lever Latch Spring Screw
7071	13896	Work Clamp Opening Lever Latch Spring Screw Washer
194C	13856	Work Clamp Opening Lever Latch Stop Screw
2269	13895	Work Clamp Opening Lever Position Pin
1253C	13896	Work Clamp Opening Lever Set Screw
250549	13894	Work Clamp Opening Operating Point
232105	13894	Work Clamp Opening Operating Point Pin
704E	13886	Work Clamp Opening Operating Point Screw (2)
255077	13939	Work Clamp Opening Rod
255078	13939	" " " " Connection
807D	13895	Work Clamp Opening Rod Connection Hinge Screw
250274	13895	Work Clamp Opening Rod Guide with 808D
808D	13895	Work Clamp Opening Rod Guide Pinch Screw
1662C	13939	Work Clamp Opening Rod Nut ...
250275	13895	" " " Stop (adjustable)
207E	13896	Work Clamp Opening Stop Screw ..
250276	13896	" " Spreader (left)
350140D	13896	" " " " Screw
251196	13896	" " " (right)
201463D	13896	" " " " Screw ..
251197	13896	" " " Adjusting Block (left)
251198	13896	Work Clamp Spreader Adjusting Block (right)
251200	13896	Work Clamp Spreader Adjusting Block Lever (front, left)
251201	13896	Work Clamp Spreader Adjusting Block Lever (front, right)
201463D	13896	Work Clamp Spreader Adjusting Block Lever (front) Hinge Screw (2)

No.	Plate	Name
251202	13896	Work Clamp Spreader Adjusting Block Lever (front) Spring
203E	13896	Work Clamp Spreader Adjusting Block Screw (2)
7071	13896	Work Clamp Spreader Adjusting Block Screw Washer (2)
991E	13896	Work Clamp Spreader Adjusting Screw
252202	13896	Work Clamp Spreader Adjusting Screw Bracket
207E	13896	Work Clamp Spreader Adjusting Screw Bracket Screw
1550D	13896	Work Clamp Spreader Adjusting Screw Nut
251199	13897	Work Clamp Spreader Base Plate
50058D	13896	" " " " " " Screw (2)
251208	13896	Work Clamp Spreader Cam
203E	13896	" " " " Screw
251204	13897	" " " Connection (back)
251205	13897	Work Clamp Spreader Connection (front)
251206	13897	Work Clamp Spreader Connection (front) Strap
190D	13896	Work Clamp Spreader Connection (front) Strap Screw (2)
201453C	13896	Work Clamp Spreader Connection Hinge Screw
250281	13897	Work Clamp Spreader Connection Link (left)
250282	13897	Work Clamp Spreader Connection Link (right)
201452E	13896	Work Clamp Spreader Connection Link Hinge Screw (2)
251209	13897	Work Clamp Spreader Lever with 1823
251210	13897	Work Clamp Spreader Lever Adjusting Plate
1324E	13896	Work Clamp Spreader Lever Adjusting Plate Screw
228026	13883	Work Clamp Spreader Lever Adjusting Plate Screw Washer ...
1253C	13896	Work Clamp Spreader Lever Adjusting Plate Steady Screw
251211	13897	Work Clamp Spreader Lever Bracket
171E	13896	Work Clamp Spreader Lever Bracket Screw (2)

No.	Plate	Name
76D	13896	Work Clamp Spreader Lever Hinge Screw
1823	13896	Work Clamp Spreader Lever Roller and Stud
250409	13896	Work Clamp Spreader Lever Spring
1241E	13886	" " " " " Screw Eye
251207	13897	Work Clamp Spreader Operating Fork Lever
212D	13896	Work Clamp Spreader Operating Fork Lever Cap Screw
350138E	13939	Work Clamp Spreader Operating Fork Lever Hinge Screw
250287	13939	Work Clamp Spreader Releaser
203C	13896	" " " " " Screw
201314C	13896	Work Clamp Spreader Screw Stud (2)
255081	13939	Work Clamp Spreader Stop Plate
203E	13896	" " " " " Screw
7071	13896	Work Clamp Spreader Stop Plate Screw Washer
251365	13896	Work Clamp Spreading Reinforcing Plate (left)
251366	13896	Work Clamp Spreading Reinforcing Plate (right)
50156E	13896	Work Clamp Spreading Reinforcing Plate Screw (2)
255003	13939	Work Clamp Spring
255016	13939	" " " " " Wear Plate
792D	13936	" " " " " Screw

ACCESSORIES

No.	Plate	Name
251580	13931	Buttonhole Cutting Block (steel), 1 in. (eye or taper bar)
251297	---	Buttonhole Cutting Knife (.140 x .260 eye)
232486	13865	Threader Wire (large)
250412	13865	" " (small)
255513	13866	Tweezers
142 x 5	---	Needles, six, size 17
250004	13865	Bed Cushion (leather) (back)
250006	13865	" " " (front)
250007	13865	" " (rawhide) (inside)
250008	13865	" " " (outside)
158E	13865	" " Screw
250018	13865	" Support (left) with 250004, 250006, 250008, two 250007 and six 158E
250019	13865	Bed Support (right) with 250004, 250006, 250008, two 250007 and six 158E
250288	---	Drip Pan
10147	13940	Gimp Bracket
251567	---	" " 10147 with 487D, 8039, 10111, 10112 and two wood screws 1 in., No. 10, R.I.L.B.
487D	13941	Gimp Spool Pin
8064	---	" " " Collar
8039	13941	" " " " 8064 with 759E
759E	13941	" " " " Thumb Screw
10111	13941	" " " " Cone
10112	13941	" " " " Spring
251566	13940	" Tube
250408	13865	Machine Rest (high) with 232982 and two wood screws 1 in., No. 13
232982	---	Machine Rest Cushion (leather) ..
120346	13865	Oiler (copper plated) with 120347 ..
120347	13865	" Spout (9 in. long)
11831	13866	Screw Driver, 5 in. blade (machine, large)
*225484	---	Screw Driver Blade
*250521	---	" " "
*225483	---	" " Handle
*225485	---	" " "
225498	13866	Screw Driver complete (7½ in. long), Nos. 225484 and 225485 ..

No.	Plate	Name
250522	13866	Screw Driver complete (for needle set screw), Nos. 225483 and 250521
255093	13941	Work Position Gauge (left)
255094	13941	" " " (right)
1443f	13937	" " " Screw (2)
203149	13941	" " " " Washer (2)
259289	13866	Wrench, for 350111
259402	13865	" " 201442 and 201445
232935	13866	" " 201658, 201659 and 201670
8909	13866	Wrench, for 201628 and 201660
10875	13866	" " 201524
23535	13866	" " 1697 and 1698
25200	13866	" " 1528 and 201643
12850	13866	" " 1550
232900	13866	" " 201362 and 201668
250212	13899	Stitch Regulating Gear, 28 teeth .. Wood Screws 1½ in., No. 12 (1) ..

THREAD UNWINDER

232417	13940	Spool Pin
225375	13940	" " (wood)
232895	13940	" " Arm with 759f
232896	13940	" " " Bracket with two 448c
448c	13862	Spool Pin Arm Bracket Set Screw
448c	13862	" " " Set Screw
250424	13940	" " Cap
200159f	-----	" " " Screw
759f	13941	" " Thumb Set Screw
225389	13941	" Rest (for one spool) with 201018c
225395	13944	Spool Rest (for two spools) with 201018c
232987	13944	Spool Rest Cushion (felt)
250453	13944	" " Rod (lower)
225388	13944	" " " (upper)
250454	13940	" " " Coupling with two 456c
456c	13941	Spool Rest Rod Coupling Set Screw
200383c	13871	" " " Set Screw
201018c	13941	" " " Set Screw
202490	13944	" Stand with 200383c
225390	13940	Thread Cone Holder
250472	13940	" Cap Holder
225391	13940	" Guide
201696f	13941	" " Lock Nut

No.	Plate	Name
350192a	13941	Thread Guide Screw Stud
225393	13941	" " " " Washer
200164b	13941	" " Stud Set Screw
225376	-----	Thread Unwinder complete, Nos. 200164b, 201696f, 202490, 225388, 225389, 225393, 225395, 250453, 250454, 250472, 350192a, three each 200159f, 225375, 225390, 232417, 232895, 232896, 232987, 250424, four 225391 and three wood screws ½ in., No. 12

DRIVING EQUIPMENT

228628	-----	Belt (gilt edge), size ¾ in. diam., length 83 in., with two 25029 ..
228629	-----	Belt (gilt edge), size ¾ in. diam., length 57 in., with 25030
228630	-----	Belt (gilt edge), size ¾ in. diam., length 120 in., with two 25030 ..
228631	-----	Belt (gilt edge), size ¾ in. diam., length 133 in., with two 25030 ..
228608	-----	Belt Guard, for Bridgeport Old Style Power Table (trough) with two wood screws ¾ in., No. 10 ..
228610	-----	Belt Guard, for E'port Old Style Power Table (trough), with two wood screws ¾ in., No. 10
25029	13881	Belt Hook
25030	13941	" "
228565	13870	" Shifter
228566	13870	" " Lever with 200526c
228567	13871	" " " Hinge Stud
200335c	13871	" " " " " Set Screw
228632	13933	Belt Shifter Locking Spring
200526c	13871	" " Set Screw
228618	13926	Buttonhole Cutter Driving Pulley, 4½ in. diam., with 200342c and 200347c
228619	13926	Buttonhole Cutter Driving Pulley Driving Pinion, 16 teeth, with 454c
2117	13871	Buttonhole Cutter Driving Pulley Driving Pinion Pin
454c	13941	Buttonhole Cutter Driving Pulley Driving Pinion Set Screw
200342c	13871	Buttonhole Cutter Driving Pulley Position Screw

No.	Plate	Name
200347c	13871	Buttonhole Cutter Driving Pulley Set Screw
228579	13869	Buttonhole Cutter Driving Pulley Shaft
228580	13869	Buttonhole Cutter Driving Pulley Shaft Bushing with 224392
224392	----	Buttonhole Cutter Driving Pulley Shaft Bushing Oil Packing (wick)
350028c	13871	Buttonhole Cutter Driving Pulley Shaft Bushing Set Screw
228620	13926	Buttonhole Cutter Driving Pulley Shaft Gear, 48 teeth, with 448c
2117	13871	Buttonhole Cutter Driving Pulley Shaft Gear Pin
448c	13862	Buttonhole Cutter Driving Pulley Shaft Gear Set Screw
228593	13869	Counter Shaft (hollow) with 200370c and 228595
210833	13871	Counter Shaft Collar with two 200383c
200383c	13871	Counter Shaft Collar Set Screw ..
228590	13870	" " Driving Pulley (loose), 5 in. diameter
228591	13870	Counter Shaft Driving Pulley (tight), 5 in. diam., with 200352c and 200363c
200352c	13871	Counter Shaft Driving Pulley Position Screw
200363c	13871	Counter Shaft Driving Pulley Set Screw
228601	13870	Counter Shaft Hanger with 200335c and 202241
228588	13870	Counter Shaft Hanger Belt Guard (double)
228597	13870	Counter Shaft Hanger Belt Guard (single)
200002	13871	Counter Shaft Hanger Belt Guard Screw
202244	----	Counter Shaft Hanger Oil Packing (wick)
50294E	13871	Counter Shaft Hanger Screw
51046E	13941	" " " "
41125	13871	" " " " Washer
228602	13871	" " Oil Cup
228591	----	" " " " Packing Wick
228595	13869	" " " " " " Wire
200370c	13871	Counter Shaft Oil Stop Screw
228592	13870	" " Pulley, 5 1/2 in. diam., with 200352c and 200363c

No.	Plate	Name
200352c	13871	Counter Shaft Pulley Position Screw
200363c	13871	Counter Shaft Pulley Set Screw ..
228596	----	Counter Shaft Hanger complete, for Old Style Power Table, Nos. 50294E, 200002E, 210833, 228565 to 228567, 228588, 228590 to 228593, 228601, 228602, 228632, two 51046E and three 41125
228598	----	Counter Shaft Hanger complete, for Singer Safety Power Table, Nos. 50294E, 200002E, 210833, 228565 to 228567, 228590 to 228593, 228597, 228601, 228602, 228632, two 51046E and three 41125
228573	13870	Driving Attachment Belt Guard with 228607
228607	13926	Driving Attachment Belt Guard Drain Valve
50075A	13871	Driving Attachment Belt Guard Thumb Screw
228574	13870	Driving Attachment Bracket with 11119, 228575 and four 350028c ..
228575	13871	Driving Attachment Bracket Oil Cup
11119	13871	Driving Attachment Bracket Oil Tube with 52045
52045	----	Driving Attachment Bracket Oil Tube Packing (cotton)
51046E	13941	Driving Attachment Bracket Screw ..
41125	13871	" " " " Washer
228624	13926	Driving Pulley, 6 in. diam., with 200374c and 200396c
200396c	13941	Driving Pulley Position Screw
200374c	13816	" " Set Screw
228625	13926	" " Shaft
228571	13869	" " " Bushing with 202260
350028c	13871	Driving Pulley Shaft Bushing Set Screw
228626	13926	Driving Pulley Shaft Collar with two 200378c
200378c	----	Driving Pulley Shaft Collar Set Screw
202260	----	Driving Pulley Shaft Bushing Oil Packing (wick)

No.	Plate	Name
228627	---	Driving Attachment complete, Nos. 50075a, 228573, 228574, 228579, 228580, 228618 to 228626, two each 2117, 228571, three each 41125, 51046e, 200050c and 214179 to 214181
228578	----	Driving Attachment and Idler complete, Nos. 228587 and 228627 ..
234342	----	Front Plank Extension (back) with two wood screws 1½ in., No. 10 (for fat table)
234343	----	Front Plank Extension (back) with three wood screws 1½ in., No. 10 and six 1½ in. wire nails, for Singer Safety Power Table (trough)
234344	----	Front Plank Extension (front) with two wood screws 2½ in., No. 12 and three wood screws 1½ in., No. 12
228581	13870	Idler Pulley
228582	13870	" " Belt Guard with 200526c ..
200526c	13871	" " " " Set Screw ..
228583	13870	" " Bracket with 200526c ..
200019e	13871	" " " " Screw
228584	13869	Idler Pulley Shaft with 228586 ..
204246	13871	" " " " Collar with two 200383c
200383c	13871	Idler Pulley Shaft Collar Set Screw
228602	13871	" " " " Oil Cup
228585	----	" " " " Wick
228586	13869	" " " " " Wire with 228585
200526c	13871	Idler Pulley Shaft Set Screw
228587	----	Idler complete, Nos. 204246, 228582 to 228584, 228602, two 228581 and three 200019c
228621	13926	Machine Driving Pulley (loose), 3½ in. diameter
228622	13926	Machine Driving Pulley Clutch
214179	13941	" " " " Roller
214181	13941	" " " " " " " " Spring
214180	13941	Machine Driving Pulley Clutch Roller Spring Plunger
200050c	13941	Machine Driving Pulley Clutch Screw
228623	13926	Machine Driving Pulley Collar with two 200364c

No.	Plate	Name
200364c	13883	Machine Driving Pulley Collar Set Screw
228604	----	Motor Base with four each 41125 and 50294e
50294e	13871	Motor Base Screw
41125	13871	" " " Washer
27068	----	Shaft Pulley (sectional, grooved), 8 in. diam., 1½ in. bore, with two 597c
597c	----	Shaft Pulley Clamping Screw
228599	----	Driving Equipment complete, for Old Style Power Table (flat), Nos. 27068, 228578, 228596, 228628, 228631, 234342, 234344 and blue print template
228600	----	Driving Equipment complete, for Singer Safety Power Table (flat), Nos. 41228, 228578, 228598, 228628, 228630, 234342, 234344 and blue print template
228605	----	Driving Equipment complete, for Individual Motor Table, Nos. 228627 to 228629
228606	----	Driving Equipment complete, for Singer Safety Power Table (trough), Nos. 41228, 228578, 228598, 228628, 228630, 234343, 234344 and blue print template ..
228609	----	Driving Equipment complete, for Bridgeport Old Style Power Table (trough), Nos. 27068, 228578, 228596, 228608, 228628, 228631, 234344 and blue print template ..
228611	----	Driving Equipment complete, for E'port Old Style Power Table (trough), Nos. 27068, 228578, 228596, 228610, 228628, 228631, 234344 and blue print template ..
228612	----	Driving Equipment complete, for use in connection with Electric Transmitter Motor on Power Table (flat), Nos. 228627 to 228629, 234342, 234344 and blue print template
228613	----	Driving Equipment complete, for use in connection with Electric Transmitter Motor on Power Table (E'port, trough), Nos. 228610, 228627 to 228629, 234344 and blue print template

BUTTONHOLE CUTTING BLOCKS

No.	Plate	Name
251576	—	Buttonhole Cutting Block (steel), 5/8 in. (eye or taper bar)
251577	—	Buttonhole Cutting Block (steel), 3/4 in. (eye or taper bar)
251579	—	Buttonhole Cutting Block (steel), 7/8 in. (eye or taper bar)
251580	13931	Buttonhole Cutting Block (steel), 1 in. (eye or taper bar)
251582	—	Buttonhole Cutting Block (steel), 1 1/4 in. (eye or taper bar)
251583	—	Buttonhole Cutting Block (steel), 1 1/2 in. (eye or taper bar)
251584	—	Buttonhole Cutting Block (steel), 1 3/4 in. (eye or taper bar)
251585	—	Buttonhole Cutting Block (steel), 1 7/8 in. (eye or taper bar)
251586	—	Buttonhole Cutting Block (steel), 2 in. (straight)
251587	—	Buttonhole Cutting Block (steel), 2 1/4 in. (straight)
251589	13931	Buttonhole Cutting Block (steel), 1 in. (straight)
251590	—	Buttonhole Cutting Block (steel), 1 1/4 in. (straight)
251591	—	Buttonhole Cutting Block (steel), 1 1/2 in. (straight)
251598	—	Buttonhole Cutting Block (steel), 1 3/4 in. (straight)
251612	—	Buttonhole Cutting Block (steel), 3/4 in. (straight) (for use with pattern wheel 251548)
251613	—	Buttonhole Cutting Block (steel), 3/4 in. (straight) (for use with pattern wheel 251552)
251614	—	Buttonhole Cutting Block (steel), 7/8 in. (straight) (for use with pattern wheel 251556)

BUTTONHOLE CORDING DEVICE

No.	Plate	Name
252503	13942	Cord Leader (upper)
250497	13942	" " " Gib
223D	13902	" " " Screw
202603	13900	" " " Washer ..
250498	13942	" " " Slide
250499	13942	" " " Cap Plate
200161D	13942	" " " Screw ..
250500	13941	" " " Spring ..
252524	—	Cord Leader (upper) complete, Nos. 223D, 202603, 250497 to 250500, 252503 and two 200161D
252532	13942	Cord Leader Wire
201710D	13942	" Spool Adjusting Thumb Nut
350163D	13942	" " " " " "
		Clamping Screw
350162E	13942	Cord Spool Tension Stud
252533	13942	" " " " Bracket (upper)
252535	—	Cord Spool Tension Stud Bracket 252533 with 1520J, 10111, 10112, 201710D, 350162E and 350163D ..
10111	13941	Cord Spool Tension Stud Cone
10112	13941	" " " " " "
		Spring
1520J	13856	Cord Spool Tension Stud Nut
252506	—	Cording Device complete, Nos. 252524, 252532 and 252535
250553	13912	Work Clamp Check (left) with 1296E
250554	—	Work Clamp Check (left) complete, Nos. 250512, 250553 and two 229D
250555	13912	Work Clamp Check (right) with 1296E
250556	—	Work Clamp Check (right) com- plete, Nos. 250513, 250555 and two 229D
250512	13912	Work Clamp Check Extension (left)
250513	13912	" " " " (right)
229D	13912	" " " " Screw
1296E	13912	" " " " Position Screw

BUTTONHOLE CUTTING KNIVES

No.	Plate	Name
251134	13931	Buttonhole Cutting Knife (straight)
251266	----	" " " (.100 x .180 eye)
251136	13883	Buttonhole Cutting Knife (.126 x .180 eye)
251135	13883	Buttonhole Cutting Knife (.135 x .228 eye)
251498	----	Buttonhole Cutting Knife (.140 x .228 eye)
251297	----	Buttonhole Cutting Knife (.140 x .260 eye)

PATTERN WHEEL CABINET

250403 ---- Pattern Wheel Cabinet

KNIFE TRUEING FIXTURE

No.	Plate	Name
232870	13874	Knife Trueing Fixture Base with 448c
232871	----	Knife Trueing Fixture Base 232870 with 59b, 232872 and 232876
232875	----	Knife Trueing Fixture Oil Stone Bracket 232874 with 232873 and 232877
232872	13874	Knife Trueing Fixture Knife Clamp- ing Lever
	59b 13874	Knife Trueing Fixture Knife Clamp- ing Lever Hinge Screw
232873	13874	Knife Trueing Fixture Oil Stone
232874	13874	" " " " " " Bracket with three 448c
232876	13874	Knife Trueing Fixture Oil Stone Bracket Shaft
	448c 13862	Knife Trueing Fixture Oil Stone Bracket Shaft Set Screw
	448c 13862	Knife Trueing Fixture Oil Stone Set Screw
232877	13874	Knife Trueing Fixture Oil Stone Set Screw Friction Gib
232878	----	Singer Knife Trueing Fixture com- plete, Nos. 232871 and 232875 ..

THREAD LUBRICATING CUP

250518	13942	Thread Lubricating Cup with 171E, 250519 and 250520
250519	----	Thread Lubricating Cup Oil Pad (felt)
	171E 13896	Thread Lubricating Cup Pinch Screw
250520	----	Thread Lubricating Cup Thread Guide

COUNTER SHAFT DRIVING PULLEYS

No.	Plate	Name
41219	----	Driving Pulley (sectional, grooved), 3 in. diam., $1\frac{1}{8}$ in. bore (for Table Shaft), with two 50399c
41220	----	Driving Pulley (sectional, grooved), 3 $\frac{1}{2}$ in. diam., $1\frac{1}{8}$ in. bore (for Table Shaft), with two 50399c
41221	----	Driving Pulley (sectional, grooved), 3 $\frac{3}{4}$ in. diam., $1\frac{1}{8}$ in. bore (for Table Shaft), with two 50399c
41222	----	Driving Pulley (sectional, grooved), 3 $\frac{7}{8}$ in. diam., $1\frac{1}{8}$ in. bore (for Table Shaft), with two 50399c
41223	----	Driving Pulley (sectional, grooved), 4 in. diam., $1\frac{1}{8}$ in. bore (for Table Shaft), with two 50399c
41224	----	Driving Pulley (sectional, grooved), 4 $\frac{1}{4}$ in. diam., $1\frac{1}{8}$ in. bore (for Table Shaft), with two 50399c
41228	----	Driving Pulley (sectional, grooved), 5 $\frac{1}{4}$ in. diam., $1\frac{1}{8}$ in. bore, with two 50399c

SHAFT PULLEYS

27271	----	Shaft Pulley (sectional, grooved), 4 in. diam., $1\frac{1}{8}$ in. bore, with two 597c
232920	----	Shaft Pulley (sectional, grooved), 4 $\frac{1}{2}$ in. diam., $1\frac{1}{8}$ in. bore, with two 597c
27065	----	Shaft Pulley (sectional, grooved), 5 in. diam., $1\frac{1}{8}$ in. bore, with two 597c

No.	Plate	Name
232879	----	Shaft Pulley (sectional, grooved), 5 $\frac{1}{2}$ in. diam., $1\frac{1}{8}$ in. bore, with two 597c
27066	----	Shaft Pulley (sectional, grooved), 6 in. diam., $1\frac{1}{8}$ in. bore, with two 597c
232880	----	Shaft Pulley (sectional, grooved), 6 $\frac{1}{2}$ in. diam., $1\frac{1}{8}$ in. bore, with two 597c
27067	----	Shaft Pulley (sectional, grooved), 7 in. diam., $1\frac{1}{8}$ in. bore, with two 597c
232881	----	Shaft Pulley (sectional, grooved), 7 $\frac{1}{2}$ in. diam., $1\frac{1}{8}$ in. bore, with two 597c
27068	----	Shaft Pulley (sectional, grooved), 8 in. diam., $1\frac{1}{8}$ in. bore, with two 597c
232882	----	Shaft Pulley (sectional, grooved), 8 $\frac{1}{2}$ in. diam., $1\frac{1}{8}$ in. bore, with two 597c
27069	----	Shaft Pulley (sectional, grooved), 9 in. diam., $1\frac{1}{8}$ in. bore, with two 597c
232883	----	Shaft Pulley (sectional, grooved), 9 $\frac{1}{2}$ in. diam., $1\frac{1}{8}$ in. bore, with two 597c
27070	----	Shaft Pulley (sectional, grooved), 10 in. diam., $1\frac{1}{8}$ in. bore, with two 597c
27072	----	Pulley (sectional, grooved), 12 in. diam., $1\frac{3}{8}$ in. bore, with two 597c
27074	----	Pulley (sectional, grooved), 14 in. diam., $1\frac{3}{8}$ in. bore, with two 597c
27075	----	Pulley (sectional, grooved), 15 in. diam., $1\frac{3}{8}$ in. bore, with two 597c
597c	----	Shaft Pulley Clamping Screw

PATTERN WHEELS

For Making EYELET END Buttonholes with
LARGE and MEDIUM EYE

No.	Plate	Name
251370	---	Pattern Wheel, $\frac{5}{8}$ in., complete, Nos. 251369, 251417, two each 203E, 250372 and three 391D
251374	---	Pattern Wheel, $\frac{3}{4}$ in., complete, Nos. 251373, 251418, two each 203E, 250372 and three 391D
251376	---	Pattern Wheel, $\frac{11}{16}$ in., complete, Nos. 251375, 251419, two each 203E, 250372 and three 391D
251378	---	Pattern Wheel, $\frac{7}{8}$ in., complete, Nos. 251377, 251442, two each 203E, 250372 and three 391D
251382	---	Pattern Wheel, 1 in., complete, Nos. 251381, 251420, two each 203E, 250372 and three 391D
251384	---	Pattern Wheel, $1\frac{1}{16}$ in., complete, Nos. 251383, 251421, two each 203E, 250372 and three 391D
251386	---	Pattern Wheel, $1\frac{1}{8}$ in., complete, Nos. 251385, 251422, two each 203E, 250372 and three 391D
251390	---	Pattern Wheel, $1\frac{1}{4}$ in., complete, Nos. 251389, 251423, two each 203E, 250372 and three 391D
251394	---	Pattern Wheel, $1\frac{3}{8}$ in., complete, Nos. 251393, 251424, two each 203E, 250372 and three 391D
251398	---	Pattern Wheel, $1\frac{1}{2}$ in., complete, Nos. 251397, 255033, two each 203E, 250372 and three 391D

For Making STRAIGHT Buttonholes

251523	---	Pattern Wheel, $\frac{5}{8}$ in., complete, Nos. 251417, 251522, two each 203E, 250372 and three 391D
251525	---	Pattern Wheel, $\frac{3}{4}$ in., complete, Nos. 251418, 251524, two each 203E, 250372 and three 391D

No.	Plate	Name
251529	---	Pattern Wheel, 1 in., complete, Nos. 251420, 251528, two each 203E, 250372 and three 391D
251531	---	Pattern Wheel, $1\frac{1}{8}$ in., complete, Nos. 251422, 251530, two each 203E, 250372 and three 391D
251533	---	Pattern Wheel, $1\frac{1}{4}$ in., complete, Nos. 251423, 251532, two each 203E, 250372 and three 391D
250366	---	Pattern Wheel, $1\frac{1}{2}$ in., complete, Nos. 250365, 255033, two each 203E, 250372 and three 391D

For Making EYELET END Buttonholes with
MEDIUM EYE and TAPER BAR

251445	---	Pattern Wheel, $\frac{5}{8}$ in., complete, bar adjustable from $\frac{1}{4}$ to $\frac{3}{8}$ in., Nos. 251425, 251444, two each 203E, 250372 and three 391D
251447	---	Pattern Wheel, $\frac{3}{4}$ in., complete, bar adjustable from $\frac{1}{4}$ to $\frac{5}{8}$ in., Nos. 251426, 251446, two each 203E, 250372 and three 391D
251449	---	Pattern Wheel, $\frac{7}{8}$ in., complete, bar adjustable from $\frac{1}{4}$ to $\frac{7}{8}$ in., Nos. 251427, 251448, two each 203E, 250372 and three 391D
251451	---	Pattern Wheel, 1 in., complete, bar adjustable from $\frac{1}{4}$ to $\frac{7}{8}$ in., Nos. 251428, 251450, two each 203E, 250372 and three 391D
251453	---	Pattern Wheel, $1\frac{1}{8}$ in., complete, bar adjustable from $\frac{1}{4}$ to $\frac{7}{8}$ in., Nos. 251430, 251452, two each 203E, 250372 and three 391D
251455	---	Pattern Wheel, $1\frac{1}{4}$ in., complete, bar adjustable from $\frac{1}{4}$ to $\frac{7}{8}$ in., Nos. 251430, 251454, two each 203E, 250372 and three 391D
251457	---	Pattern Wheel, $1\frac{3}{8}$ in., complete, $\frac{1}{4}$ in. adjustable bar, Nos. 251430, 251456, two each 203E, 250372 and three 391D
251369	---	Pattern Wheel, for $\frac{3}{8}$ in. Eye But- tonhole (large and medium eye), for 251370

No.	Plate	Name
251373	----	Pattern Wheel, for $\frac{3}{4}$ in. Eye Buttonhole (large and medium eye), for 251374
251375	----	Pattern Wheel, for $\frac{13}{16}$ in. Eye Buttonhole (large and medium eye), for 251376
251377	----	Pattern Wheel, for $\frac{1}{2}$ in. Eye Buttonhole (large and medium eye), for 251378
251381	13905	Pattern Wheel, for 1 in. Eye Buttonhole (large and medium eye), for 251382
251383	----	Pattern Wheel, for $1\frac{1}{16}$ in. Eye Buttonhole (large and medium eye), for 251384
251385	----	Pattern Wheel, for $1\frac{1}{8}$ in. Eye Buttonhole (large and medium eye), for 251386
251389	----	Pattern Wheel, for $1\frac{1}{4}$ in. Eye Buttonhole (large and medium eye), for 251390
251393	----	Pattern Wheel, for $1\frac{3}{8}$ in. Eye Buttonhole (large and medium eye), for 251394
251397	----	Pattern Wheel, for $1\frac{1}{2}$ in. Eye Buttonhole (large and medium eye), for 251398
251522	----	Pattern Wheel, for $\frac{5}{8}$ in. Eye and Straight Buttonhole (large eye), for 251523
251524	----	Pattern Wheel, for $\frac{3}{4}$ in. Eye and Straight Buttonhole (large eye), for 251525
251528	----	Pattern Wheel, for 1 in. Eye and Straight Buttonhole (large eye), for 251529
251530	----	Pattern Wheel, for $1\frac{1}{4}$ in. Eye and Straight Buttonhole (large eye), for 251531
251532	----	Pattern Wheel, for $1\frac{1}{2}$ in. Eye and Straight Buttonhole (large eye), for 251533
250365	----	Pattern Wheel, for $1\frac{1}{2}$ in. Eye and Straight Buttonhole (large eye), for 250366
251444	----	Pattern Wheel, for $\frac{3}{4}$ in. Taper Bar (medium eye) Buttonhole, bar adjustable from $\frac{1}{4}$ to $\frac{3}{4}$ in., for 251445

No.	Plate	Name
251446	----	Pattern Wheel, for $\frac{3}{4}$ in. Taper Bar (medium eye) Buttonhole, bar adjustable from $\frac{1}{4}$ to $\frac{3}{4}$ in., for 251447
251448	----	Pattern Wheel, for $\frac{1}{2}$ in. Taper Bar (medium eye) Buttonhole, bar adjustable from $\frac{1}{4}$ to $\frac{3}{4}$ in., for 251449
251450	----	Pattern Wheel, for 1 in. Taper Bar (medium eye) Buttonhole, bar adjustable from $\frac{1}{4}$ to $\frac{3}{4}$ in., for 251451
251452	----	Pattern Wheel, for $1\frac{1}{8}$ in. Taper Bar (medium eye) Buttonhole, bar adjustable from $\frac{1}{4}$ to $\frac{3}{4}$ in., for 251453
251454	----	Pattern Wheel, for $1\frac{1}{4}$ in. Taper Bar (medium eye) Buttonhole, bar adjustable from $\frac{1}{4}$ to $\frac{3}{4}$ in., for 251455
251456	----	Pattern Wheel, for $1\frac{3}{8}$ in. Taper Bar (medium eye) Buttonhole, $\frac{1}{2}$ in. adjustable bar, for 251457
250372	13904	Pattern Wheel Rapid Feed Trip Point
203E	13896	Pattern Wheel Rapid Feed Trip Point Screw
251429	----	Pattern Wheel Ring
251417	----	" " " 251429 with 211E, 250443 and 250444, for 251370 and 251523
251431	----	Pattern Wheel Ring
251418	----	" " " 251431 with 211E, 250443 and 250444, for 251374 and 251525
251432	----	Pattern Wheel Ring
251419	----	" " " 251432 with 211E, 250443 and 250444, for 251376
251433	----	Pattern Wheel Ring
251412	----	" " " 251433 with 211E, 250443 and 250444, for 251378
251435	13905	Pattern Wheel Ring
251420	----	" " " 251435 with 211E, 250443 and 250444, for 251382 and 251529
251436	----	Pattern Wheel Ring
251421	----	" " " 251436 with 211E, 250443 and 250444, for 251384

No.	Plate	Name
251437	---	Pattern Wheel Ring
251422	---	" " " 251437 with 211e, 250443 and 250444, for 251386 and 251531
251439	----	Pattern Wheel Ring
251423	----	" " " 251439 with 211e, 250443 and 250444, for 251399 and 251533
251441	---	Pattern Wheel Ring
251424	----	" " " 251441 with 211e, 250443 and 250444
250390	----	Pattern Wheel Ring
255033	----	" " " 250390 with 211e, 250443 and 250444, for 250366 and 251398
251493	----	Pattern Wheel Ring (adjustable) ..
251425	----	" " " 251493 with 252662, 252663, two each 211e and 250444, for 251445
251494	----	Pattern Wheel Ring (adjustable) ..
251426	----	" " " 251494 with 252662, 252663, two each 211e and 250444, for 251447
251495	----	Pattern Wheel Ring (adjustable) ..
251427	----	" " " 251495 with 252662, 252663, two each 211e and 250444, for 251449
251496	----	Pattern Wheel Ring (adjustable) ..
251428	----	" " " 251496 with 252662, 252663, two each 211e and 250444, for 251451
251497	----	Pattern Wheel Ring (adjustable) ..
251430	----	" " " 251497 with 252662, 252663, two each 211e and 250444, for 251453, 251455 and 251457
250443	13904	Pattern Wheel Ring Adjusting Segment
252662	13943	Pattern Wheel Ring Adjusting Segment (curve rise)
252663	13943	Pattern Wheel Ring Adjusting Segment (straight drop)
211e	13904	Pattern Wheel Ring Adjusting Segment Screw
250444	13904	Pattern Wheel Ring Adjusting Segment Screw Washer
391D	13904	Pattern Wheel Ring Screw

For Making EYELET END and STRAIGHT
Buttonholes

No.	Plate	Name
251599	---	Pattern Wheel, for $\frac{1}{2}$ in. Eye (large eye) and $\frac{3}{4}$ in. Straight Button- hole, with two 251608, for 241548
251602	----	Pattern Wheel, for 1 in. Eye (large and medium) and $\frac{3}{4}$ in. Straight Buttonhole, with two 251608, for 251552
251605	----	Pattern Wheel, for 1 in. Eye (large eye) and $\frac{1}{2}$ in. Straight Button- hole, with two 251608, for 251556
251537	13943	Pattern Wheel Rapid Feed Trip Point, for 251548, 251552 and 251556
251600	----	Pattern Wheel Ring, for 251601 ..
251601	----	" " " 251600 with 251539 to 251542, four each 211e and 250444, for 251548
251603	----	Pattern Wheel Ring, for 251604 ..
251604	----	" " " 251603 with 251539 to 251542, four each 211e and 250444, for 251552
251606	----	Pattern Wheel Ring, for 251607 ..
251607	----	" " " 251606 with 251539 to 251542, four each 211e and 250444, for 251556
		Nos. 251539 to 251542, for 251601, 251604 and 251607
251539	13943	Pattern Wheel Ring Adjusting Segment (curved rise)
251540	13943	Pattern Wheel Ring Adjusting Segment (curved rise), for Straight Buttonhole
251541	13943	Pattern Wheel Ring Adjusting Segment (straight drop)
251542	13943	Pattern Wheel Ring Adjusting Segment (straight drop), for Straight Buttonhole
251551	13943	Pattern Wheel Ring Disengaging Segment, for 251552
251543	13943	Pattern Wheel Ring Disengaging Segment, for 251548
251555	13943	Pattern Wheel Ring Disengaging Segment, for 251556

No.	Plate	Name
251608	13943	Pattern Wheel Ring Disengaging Segment Guide Pin, for 251599, 251602 and 251605
251544	13943	Pattern Wheel Ring Disengaging Segment Guide Bushing, for 251548, 251552 and 251556
350201	13943	Pattern Wheel Ring Disengaging Segment Guide Bushing Screw, for 251548, 251552 and 251556 ..
741c	13847	Pattern Wheel Ring Disengaging Segment Lock, for 251548, 251552 and 251556
Nos. 251570 to 251572, for 251548, 251552 and 251556		
251570	13943	Pattern Wheel Ring Disengaging Segment Lock
251571	13943	Pattern Wheel Ring Disengaging Segment Lock Spring
251572	13943	Pattern Wheel Ring Disengaging Segment Operating Plunger
251548	—	Pattern Wheel, for $\frac{3}{8}$ in. Eye (large eye) and $\frac{7}{8}$ in. Straight Buttonhole, complete, Nos. 741c, 251537, 251543, 251544, 251570 to 251572, 251599, 251604, 350201e, two each 391b, 250372 and three 203e
251552	—	Pattern Wheel, for 1 in. Eye (large and medium eye) and $\frac{7}{8}$ in. Straight Buttonhole, complete, Nos. 741c, 251537, 251544, 251551, 251570 to 251572, 251602, 251604, 350201e, two each 391b, 250372 and three 203e
251556	—	Pattern Wheel, for 1 in. Eye (large eye) and $\frac{7}{8}$ in. Straight Buttonhole, complete, Nos. 741c, 251537, 251544, 251555, 251570 to 251572, 251605, 251607, 350201, two each 391b, 250372 and three 203e

OBSOLETE PARTS

No.	Plate	Name
250421	13909	Finger Starting Lever (intermediate) Bracket with 350211e
350097c	13847	Needle Vibrating Lever Hinge Screw
250740	13945	Needle Thread Retainer Holder with 462c
1620c	13945	Needle Thread Retainer Holder Nut
12400	13945	" " " Sleeve
12402	13945	" " " Stud
462c	13886	" " " " Set Screw
250741	—	Needle Thread Retainer complete, Nos. 1620c, 12400, 12402, 39713 and 250740
250155	13854	Rapid Feed Clutch Disengaging Sleeve
250157	13851	Rapid Feed Clutch Roller Carrier with 624e
232531	13851	Rapid Feed Clutch Roller Spring..
250170	13853	" " Pawl Bell Crank with 202299
201441c	13853	Rapid Feed Pawl Hinge Screw ...
201667c	13853	" " " " " Nut
250173	13852	" " Slide Bar
250176	13853	" " " " Fork Connection with 889c
250187	13855	Rapid Feed Starting Pawl
200004e	13864	Stop Lever Bracket Screw
350170b	13945	" " Link Connection Screw (back)
251471	13889	Work Clamp Base Clamping Plate (left)
251475	13889	Work Clamp Base Clamping Plate (right)
350211e	13945	Work Clamp Closing Lever Stop Screw
350190e	13945	Work Clamp Opening Rod
250273	13945	" " " " Connection
1528c	13895	Work Clamp Opening Rod Nut ...
250284	13896	" " Spreader Stop Plate
237e	13896	" " " " " " Screw

PLATE 13777—ONE-HALF SIZE

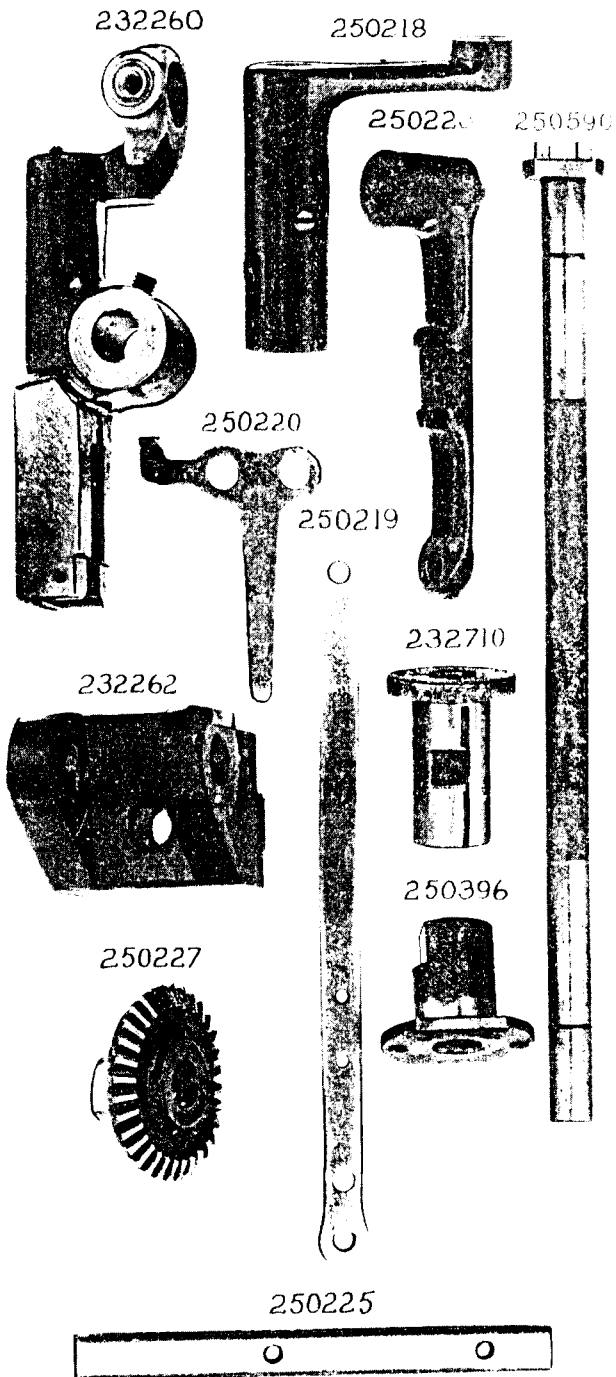


PLATE 13811—FULL SIZE

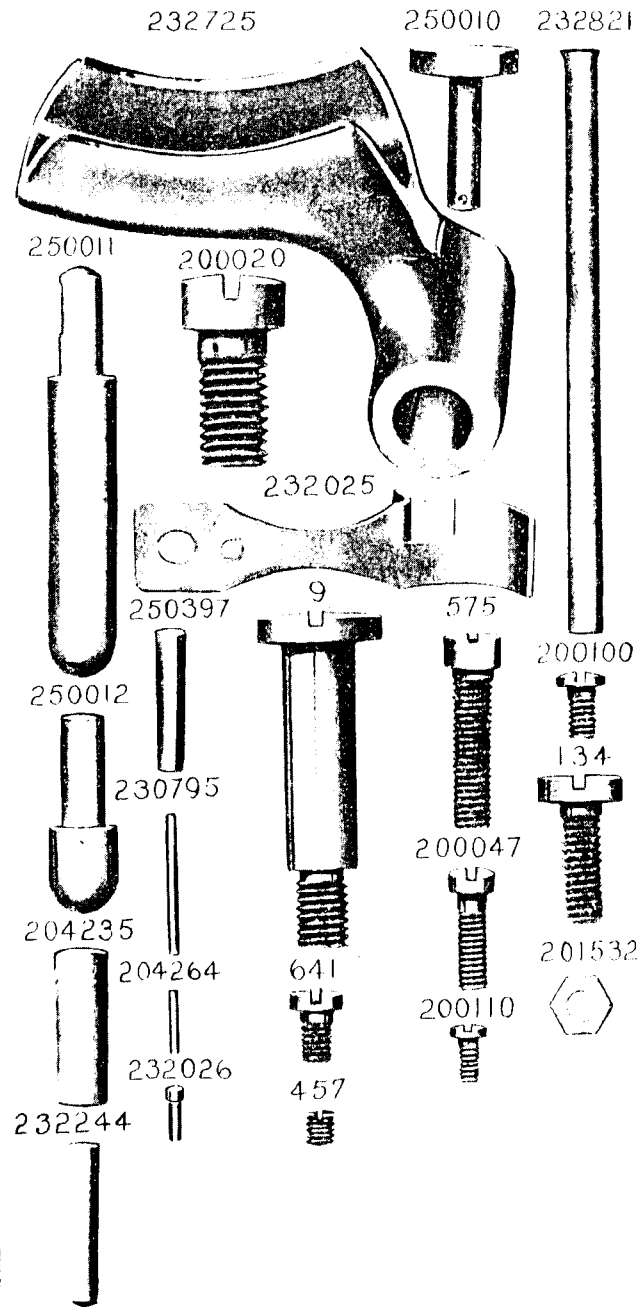


PLATE 13812—ONE-HALF SIZE

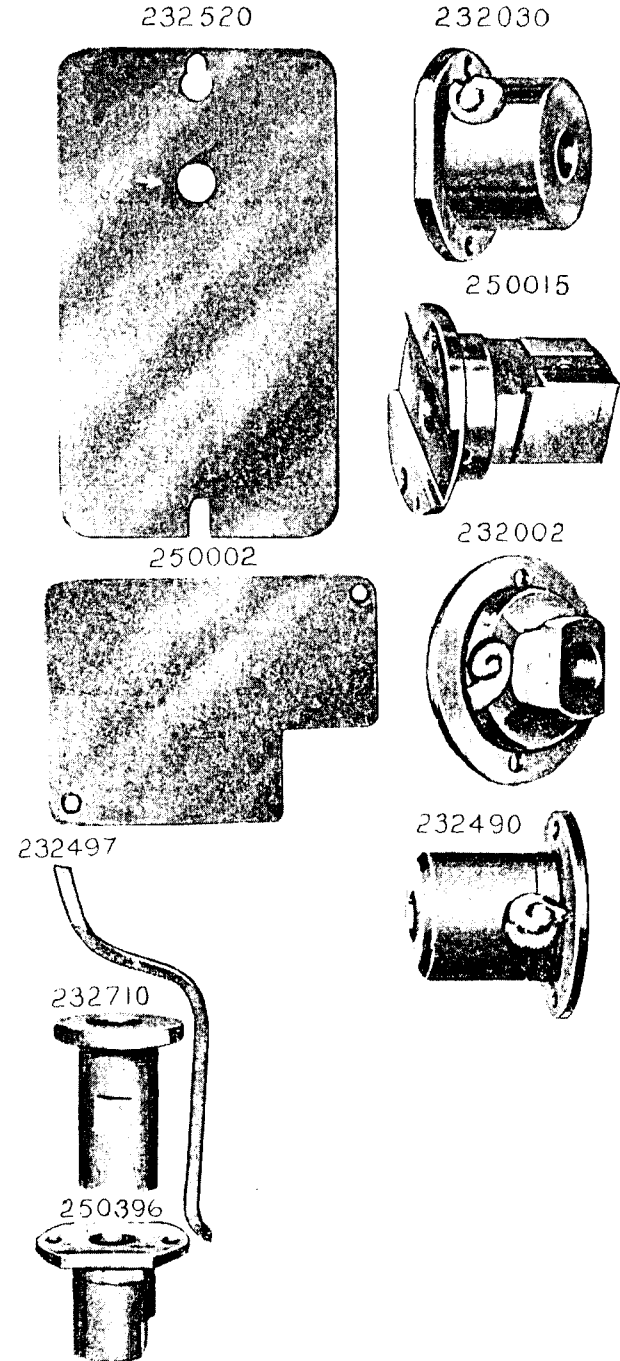
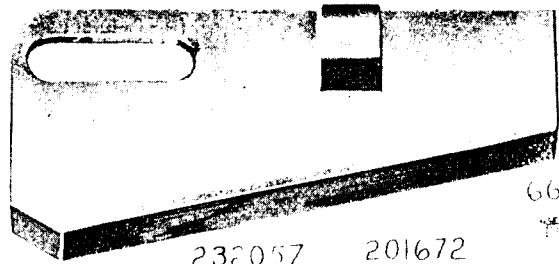


PLATE 13816—FULL SIZE

250039



662

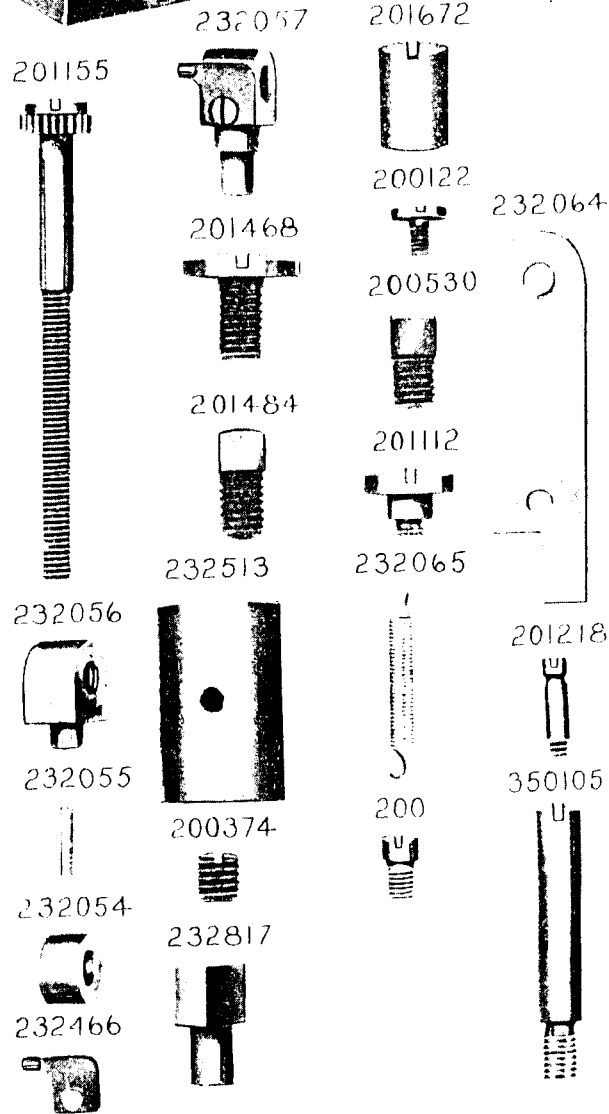


PLATE 13825—FULL SIZE

250245

232135

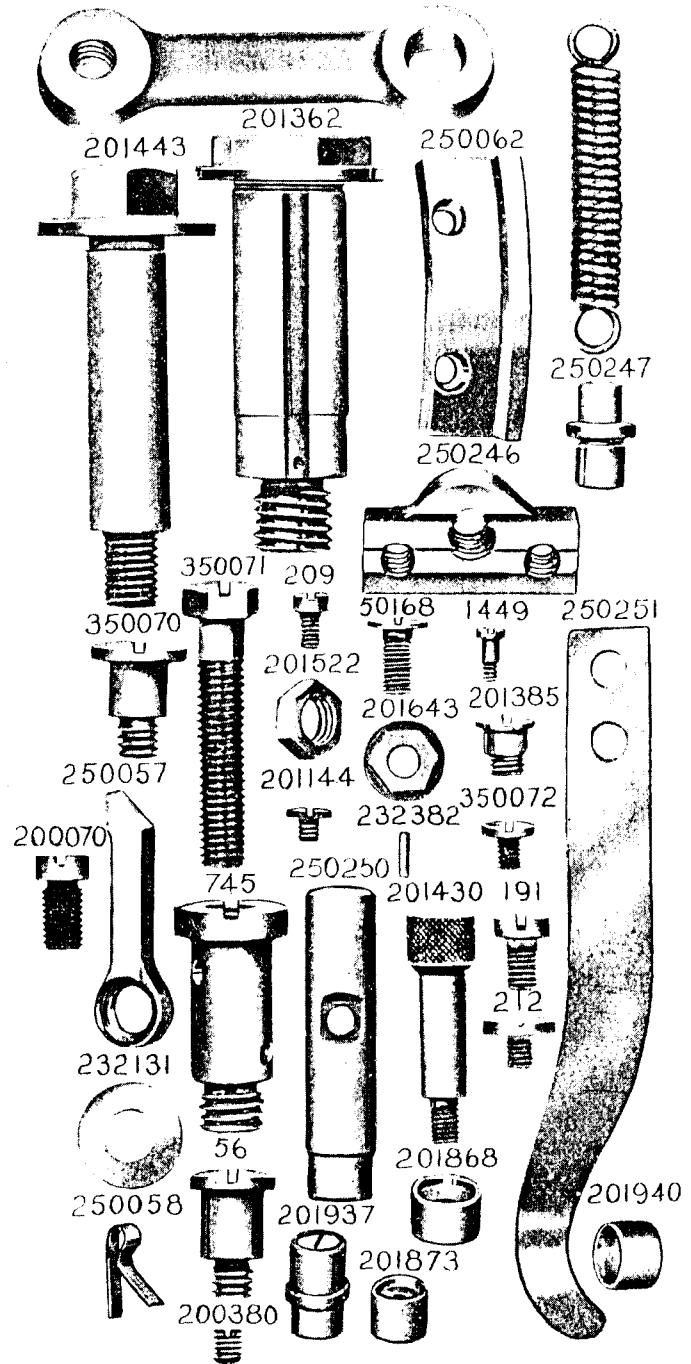


PLATE 13834—ONE-HALF SIZE

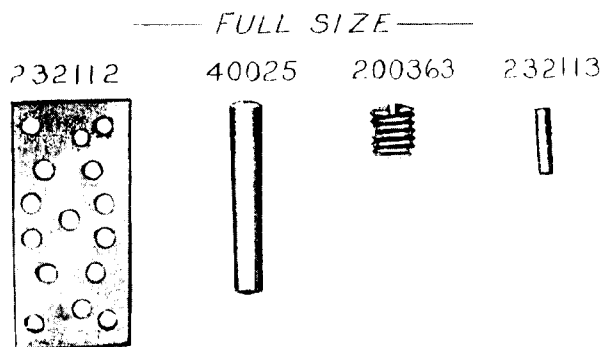
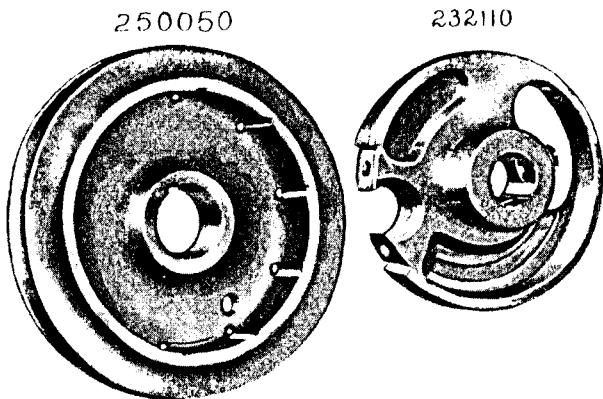
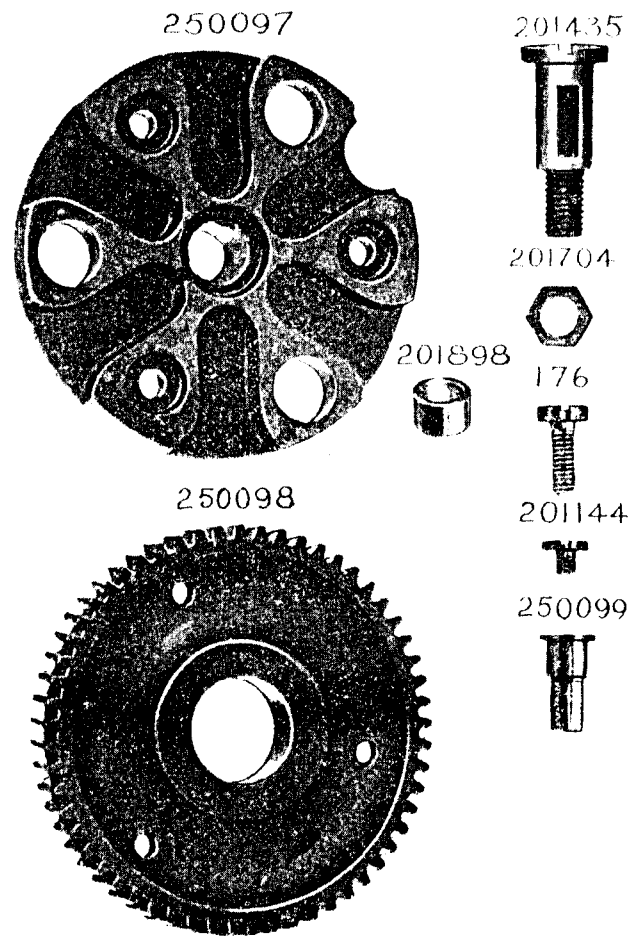


PLATE 13839—FULL SIZE



250100
ONE-HALF SIZE

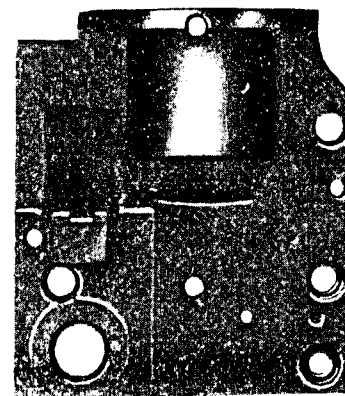


PLATE 13840—FULL SIZE

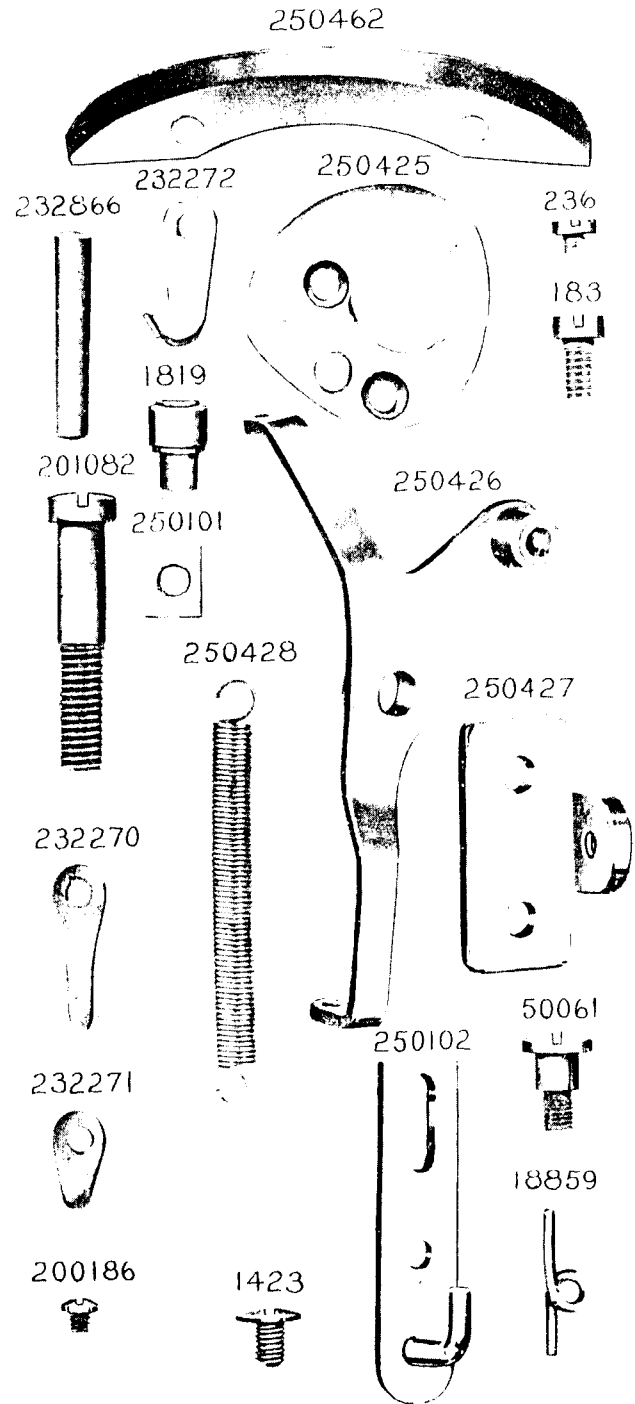


PLATE 13842—ONE-HALF SIZE

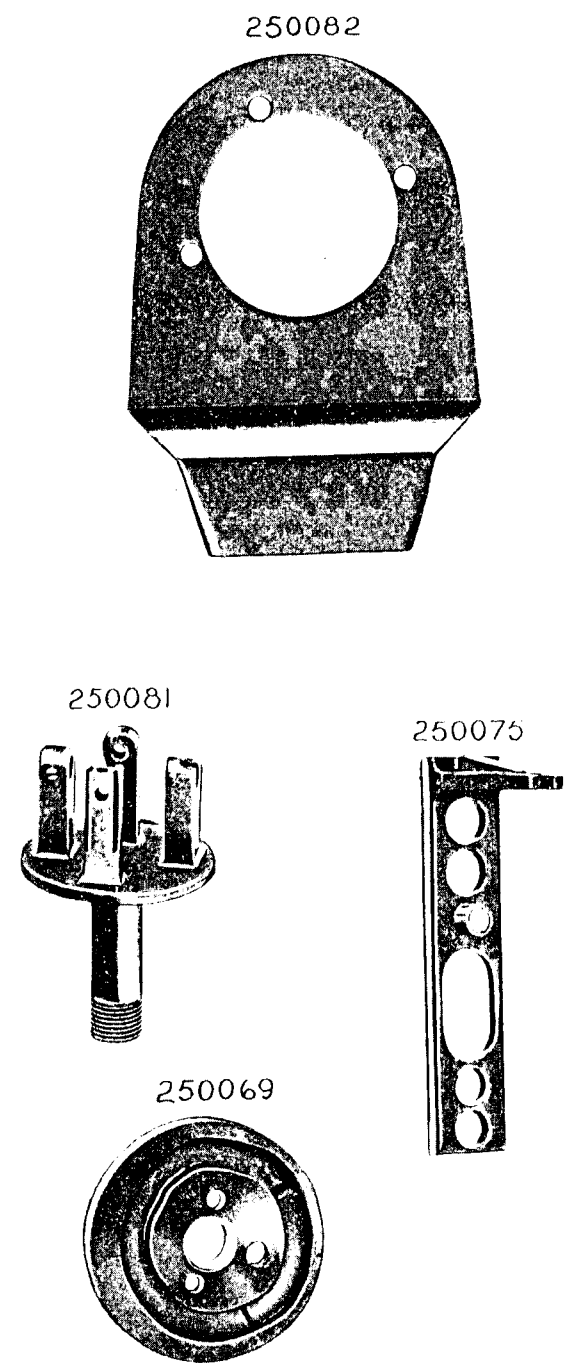


PLATE 13846—FULL SIZE

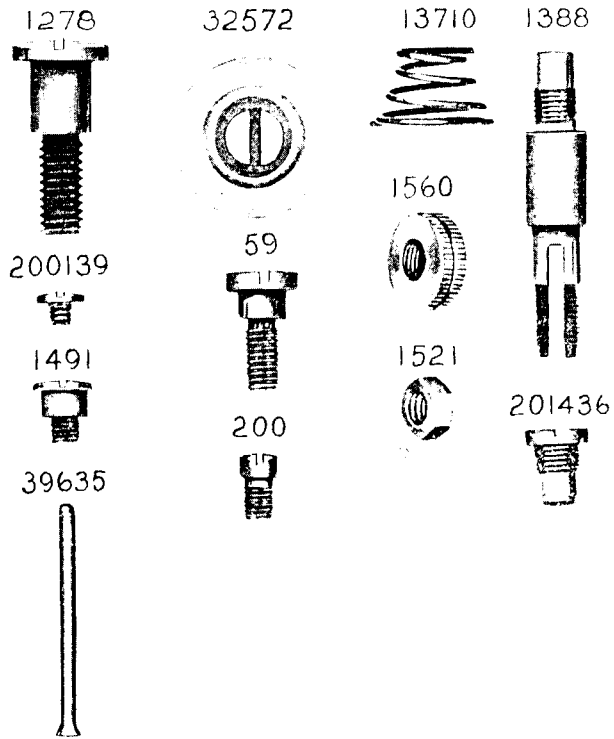


PLATE 13847—FULL SIZE

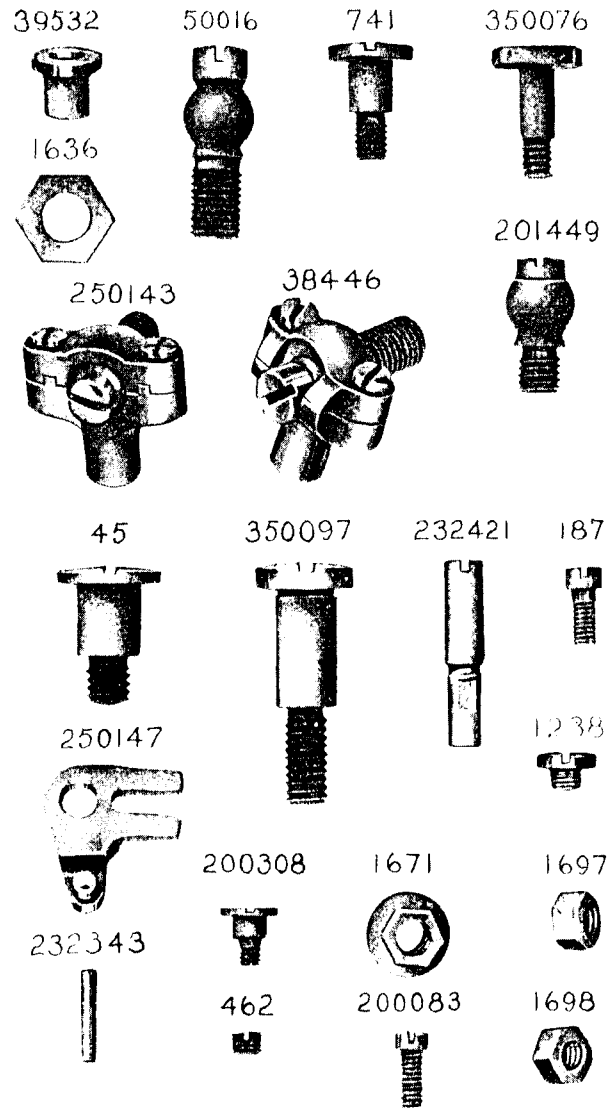
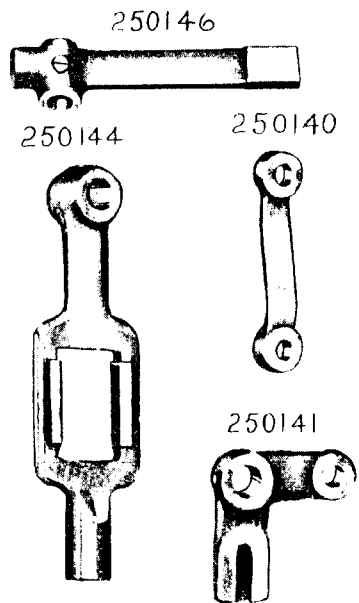


PLATE 13848—ONE-HALF SIZE

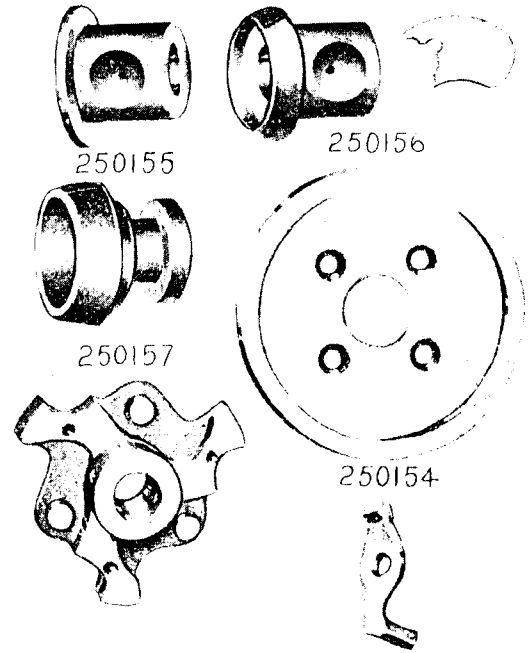
250142 250145



232420

PLATE 13851—ONE-HALF SIZE

250158 250159 250161 250153



FULL SIZE

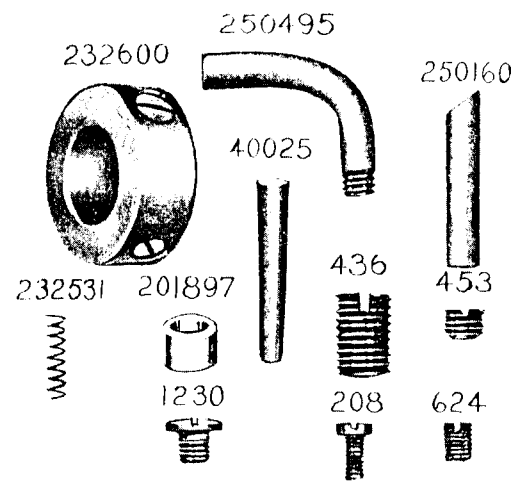
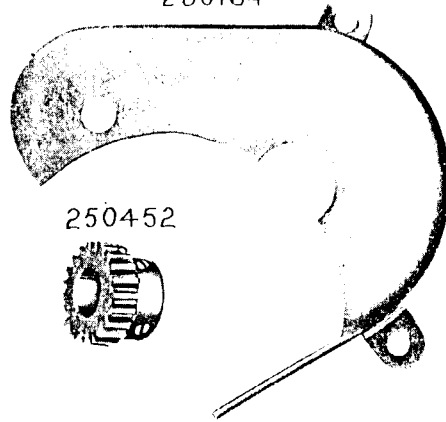


PLATE 13852—ONE-HALF SIZE

250173



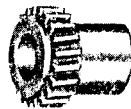
250164



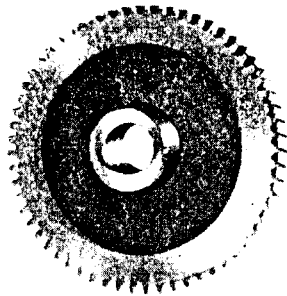
250452



250163



250534



250174



250167

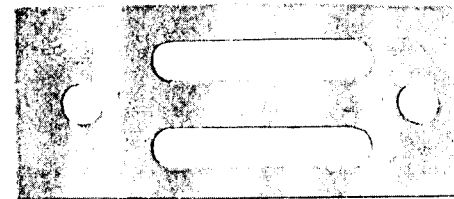


250175

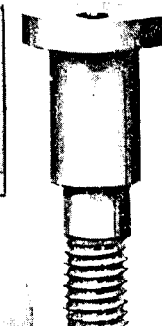


PLATE 13853—FULL SIZE

250172



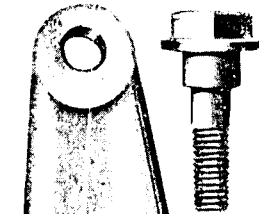
201447



250170

201441

250405



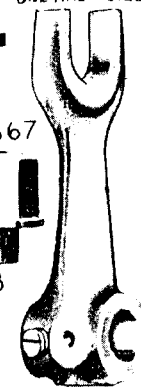
1510



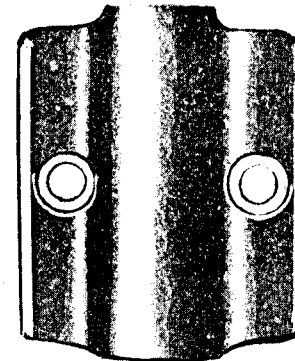
250176
ONE-HALF SIZE

250178

181



250179



201667

458

1517

232719

250171

350128



647

232113

200603

145



889



PLATE 13855—ONE-HALF SIZE

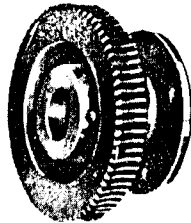
250185 250187 250192 250189



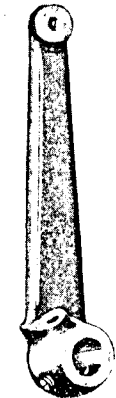
250195



250197



250198



250196

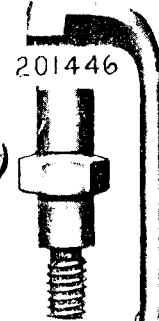


PLATE 13856—FULL SIZE

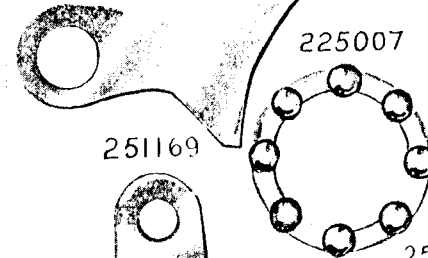
250432 250194



251168

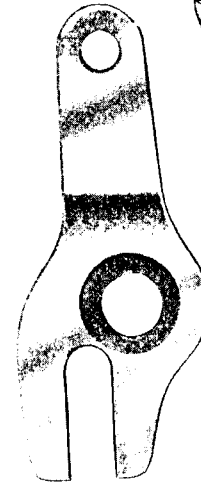


201446



225007

251169



251170

250191



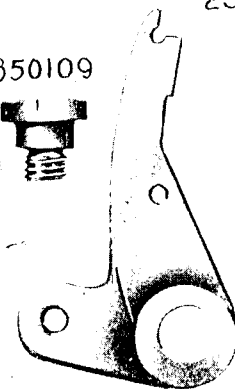
56



72



250190



232244



12596



14017



194



219



1520



350110



7071

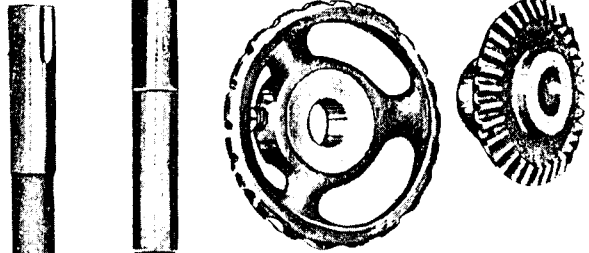


350109



PLATE 13858—ONE-HALF SIZE

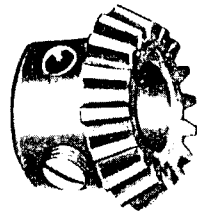
232488 232671 232003 250227



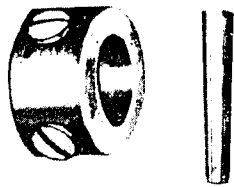
250014
ONE-FOURTH SIZE FULL SIZE



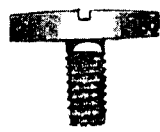
232489



250017 232244



150



200341



40025



232719



1258



453



232495

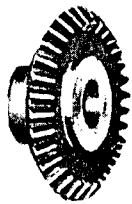
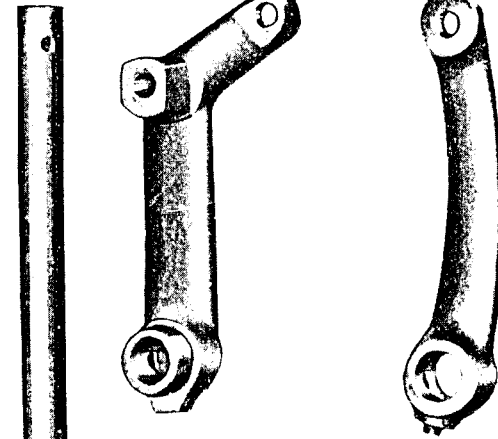
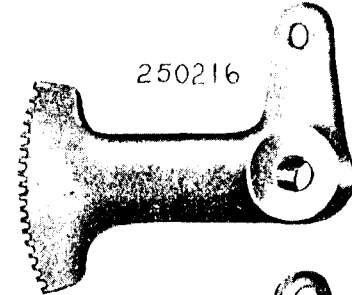


PLATE 13861—ONE-HALF SIZE

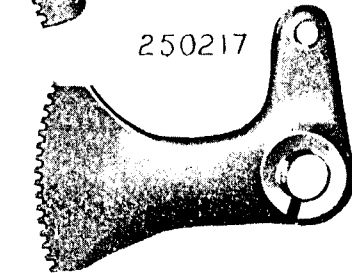
250394 250215 232591



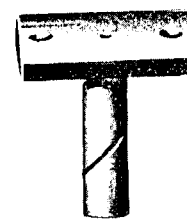
250216



250217



232599



232597



PLATE 13862-FULL SIZE

232808 232593 350066 40025

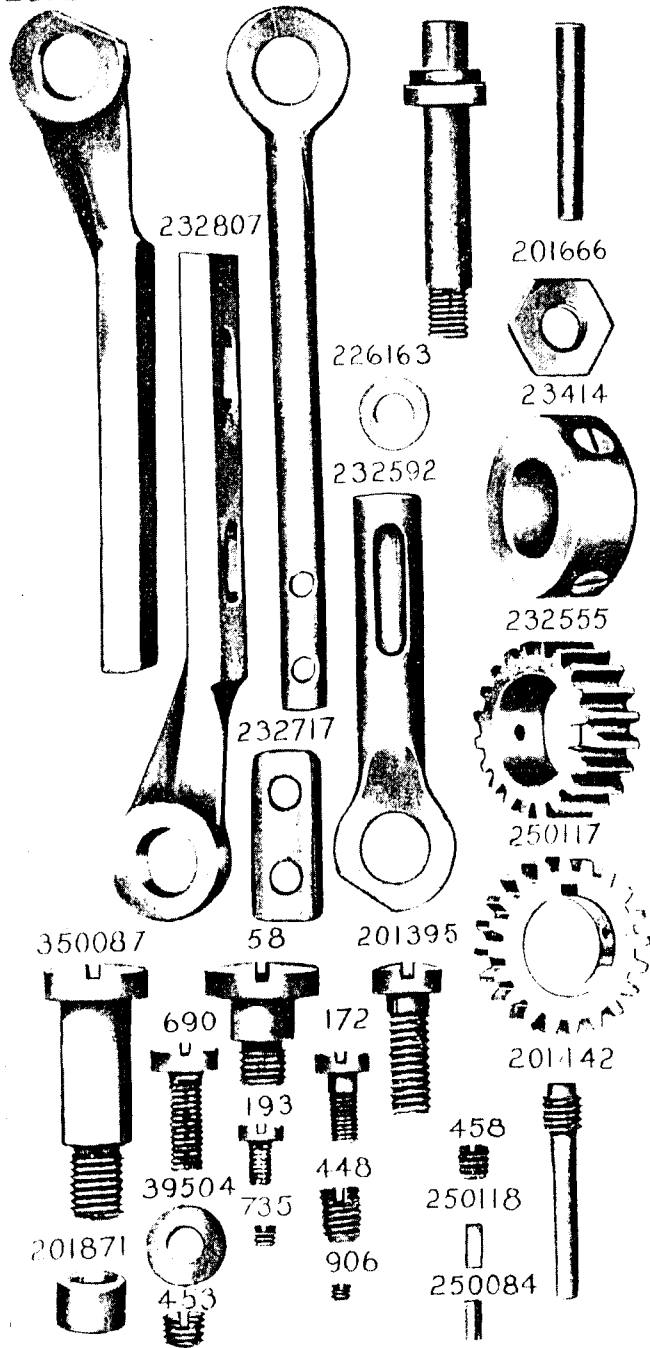


PLATE 13864-FULL SIZE

250404 217 250417 200577

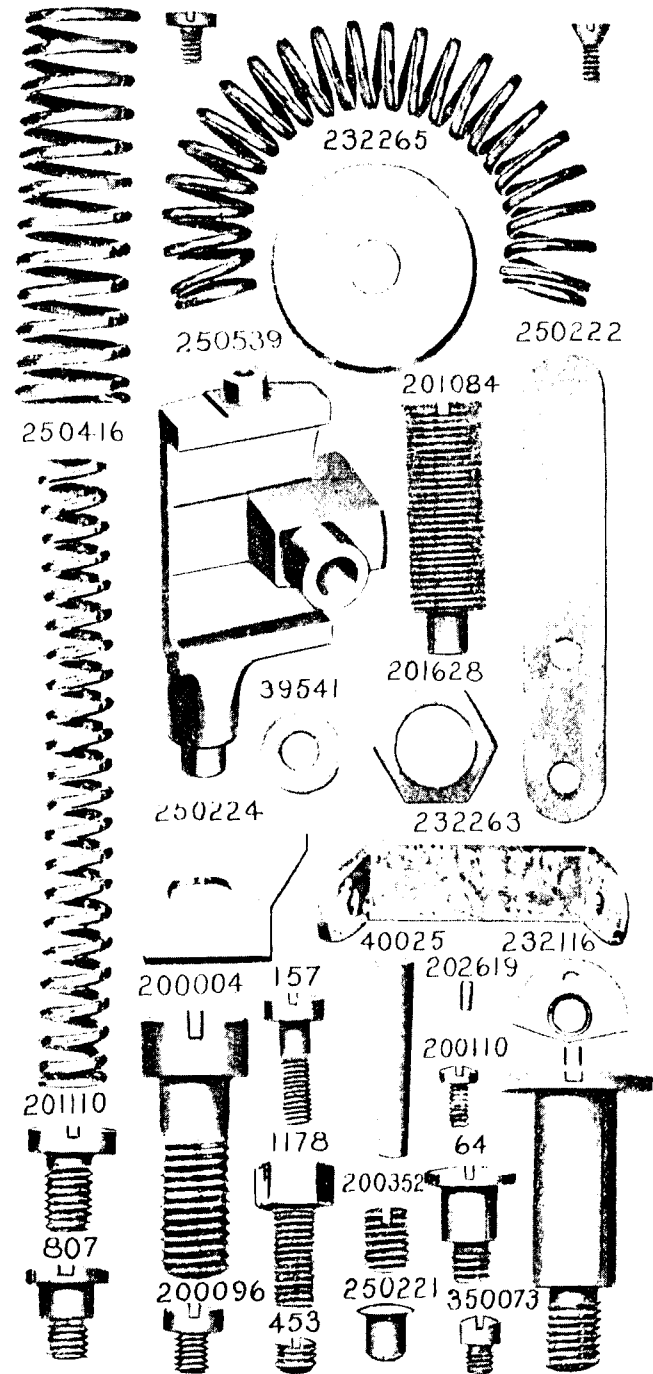


PLATE 13865—ONE-FOURTH SIZE

250402 250408 120346 232486 250412

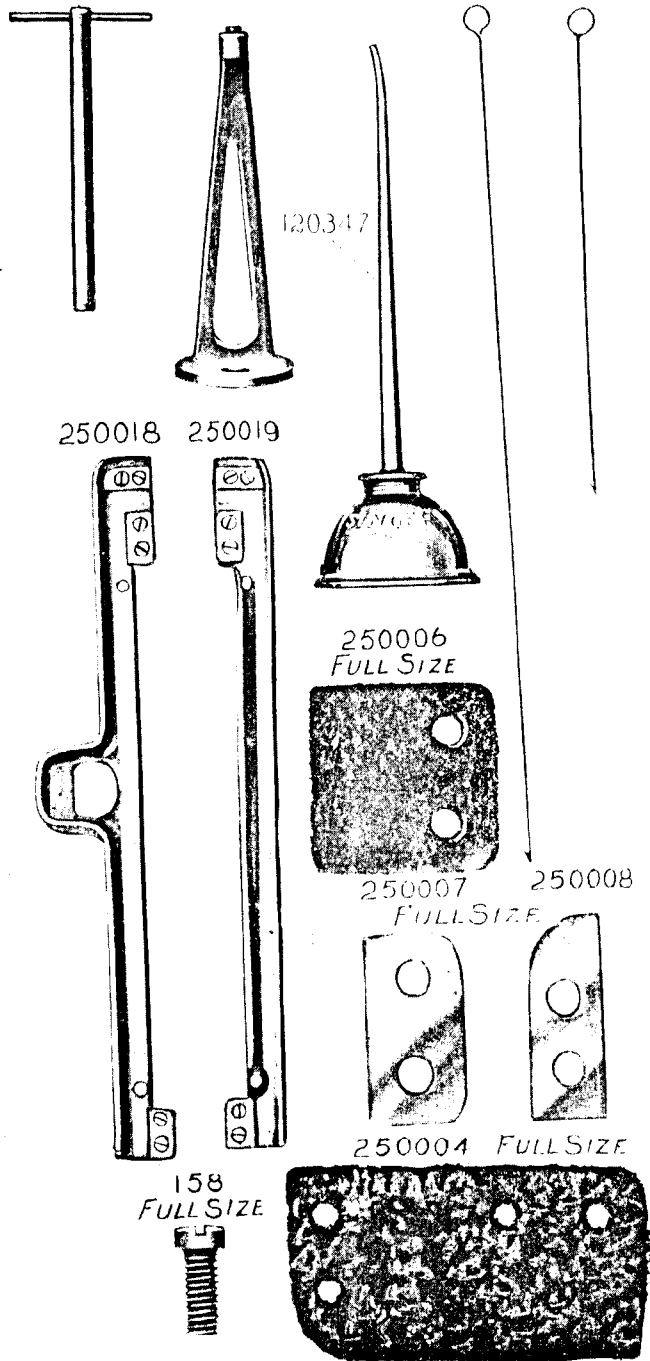


PLATE 13866—ONE-HALF SIZE

11831 225498 250522 232900

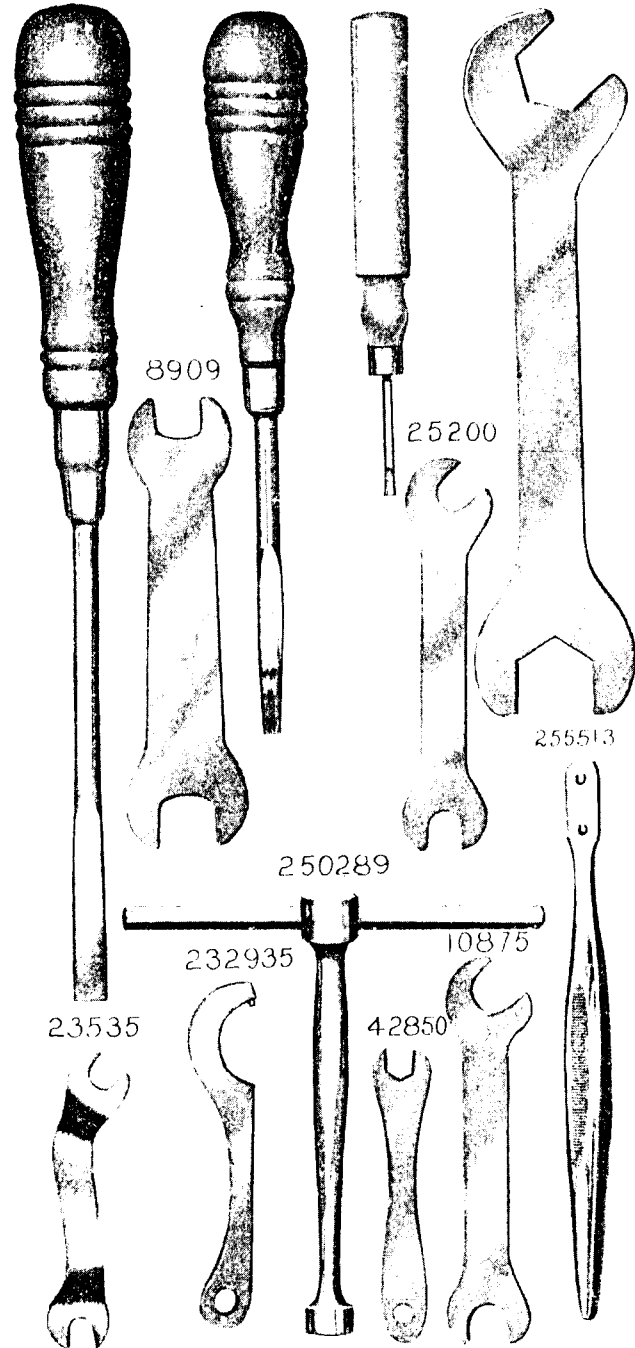


PLATE 13869—ONE-HALF SIZE

228584



228586



228569



228595

228593



228579



18897



228580



18898



228571

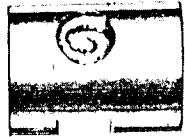
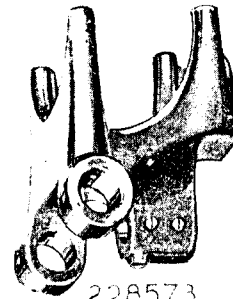


PLATE 13870—ONE-SIXTH SIZE

228574

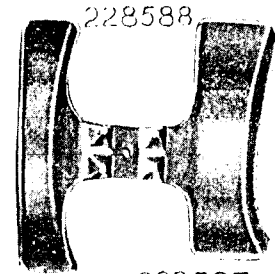
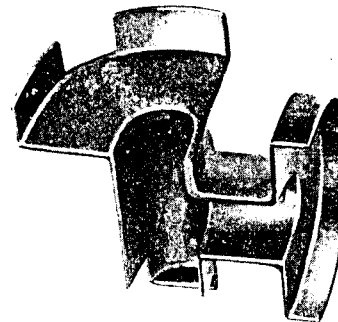
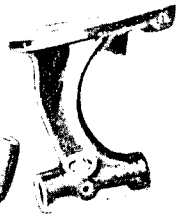


228573

228583



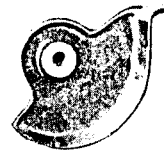
228601



228588

228597

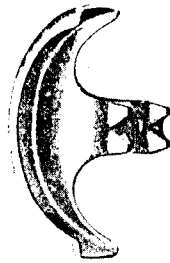
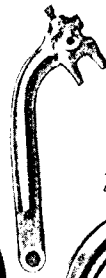
228582



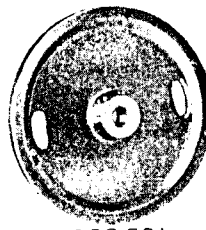
228565



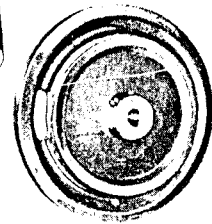
228566



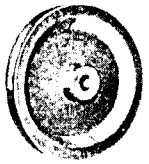
228592



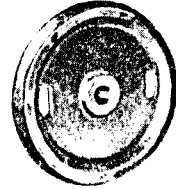
228568



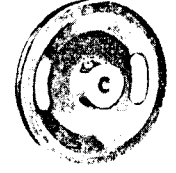
228581



228591



228572



228590

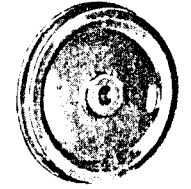


PLATE 13871—FULL SIZE

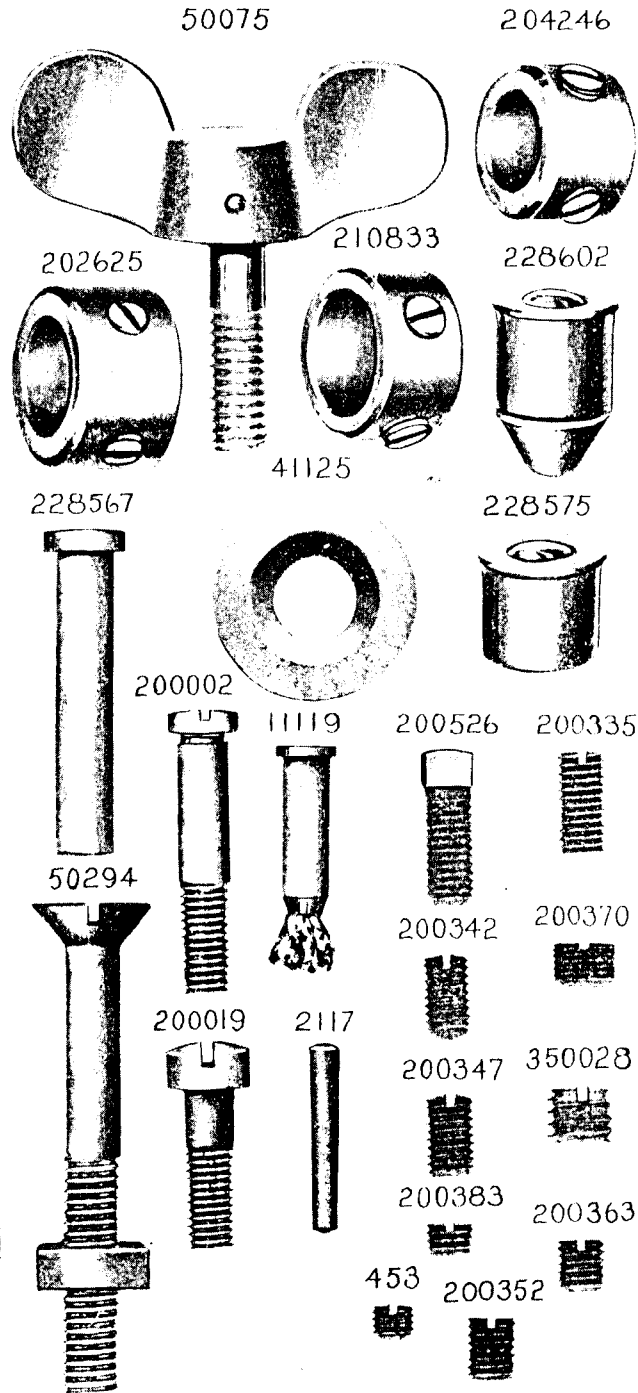


PLATE 13874—ONE-HALF SIZE

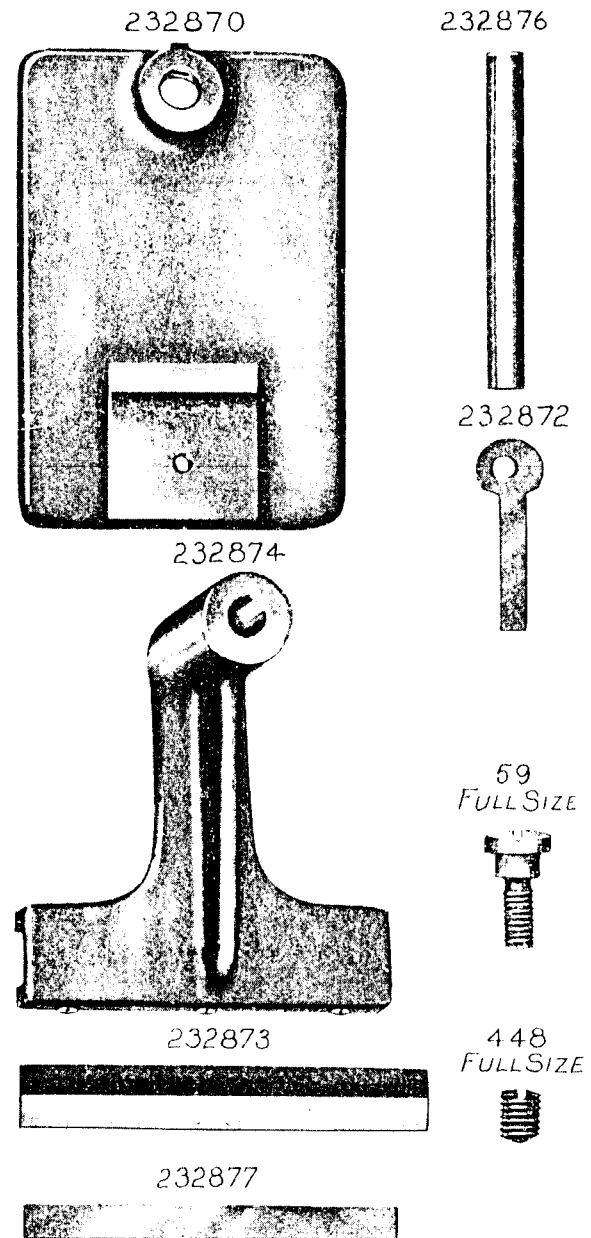


PLATE 13883—FULL SIZE

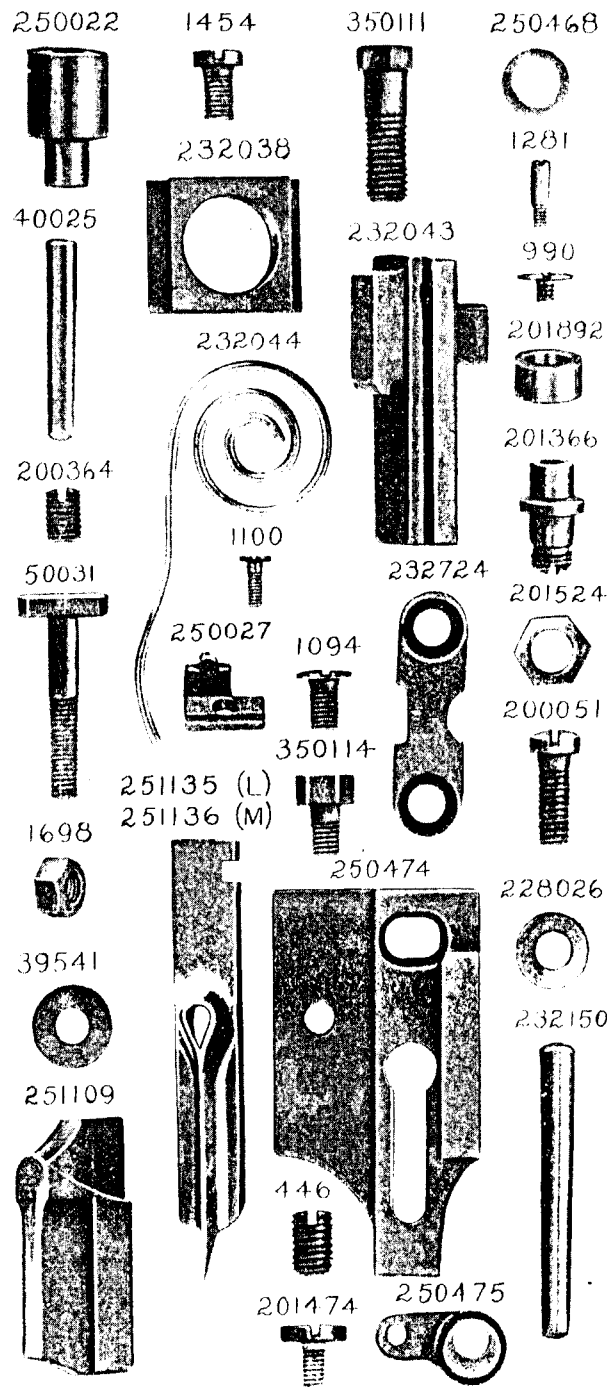


PLATE 13884—ONE-FOURTH SIZE

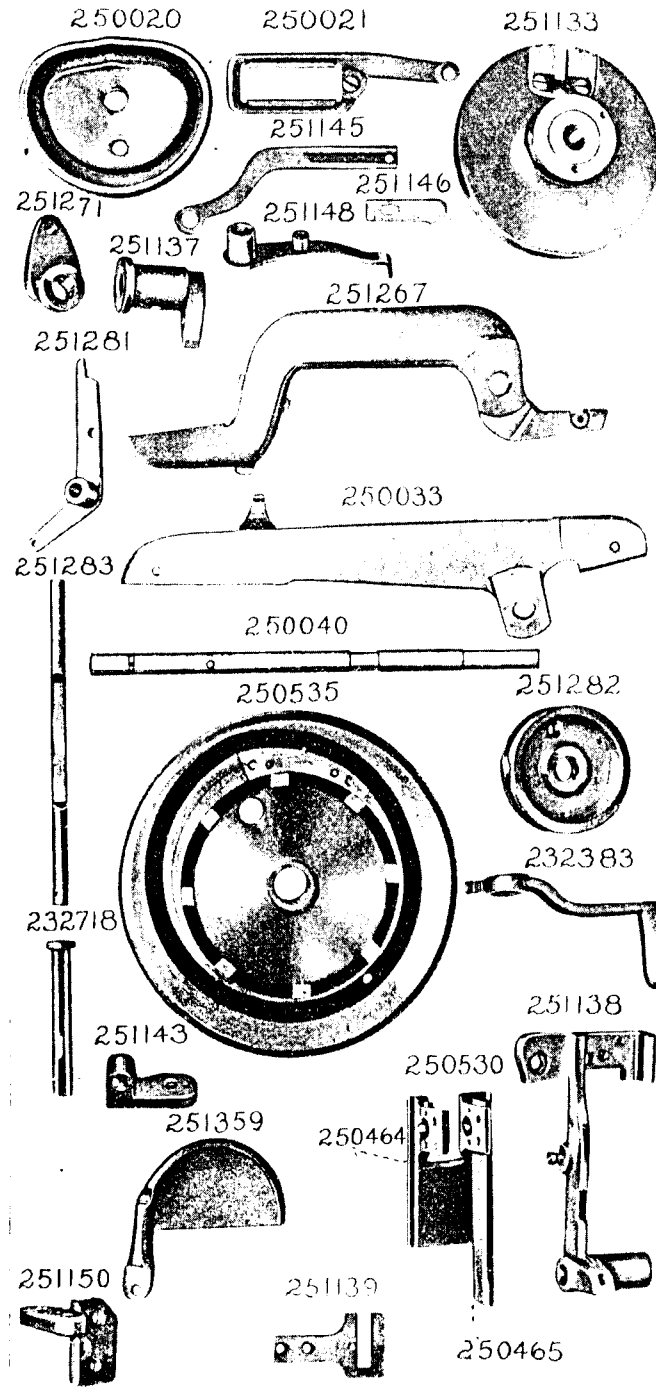


PLATE 13885—FULL SIZE

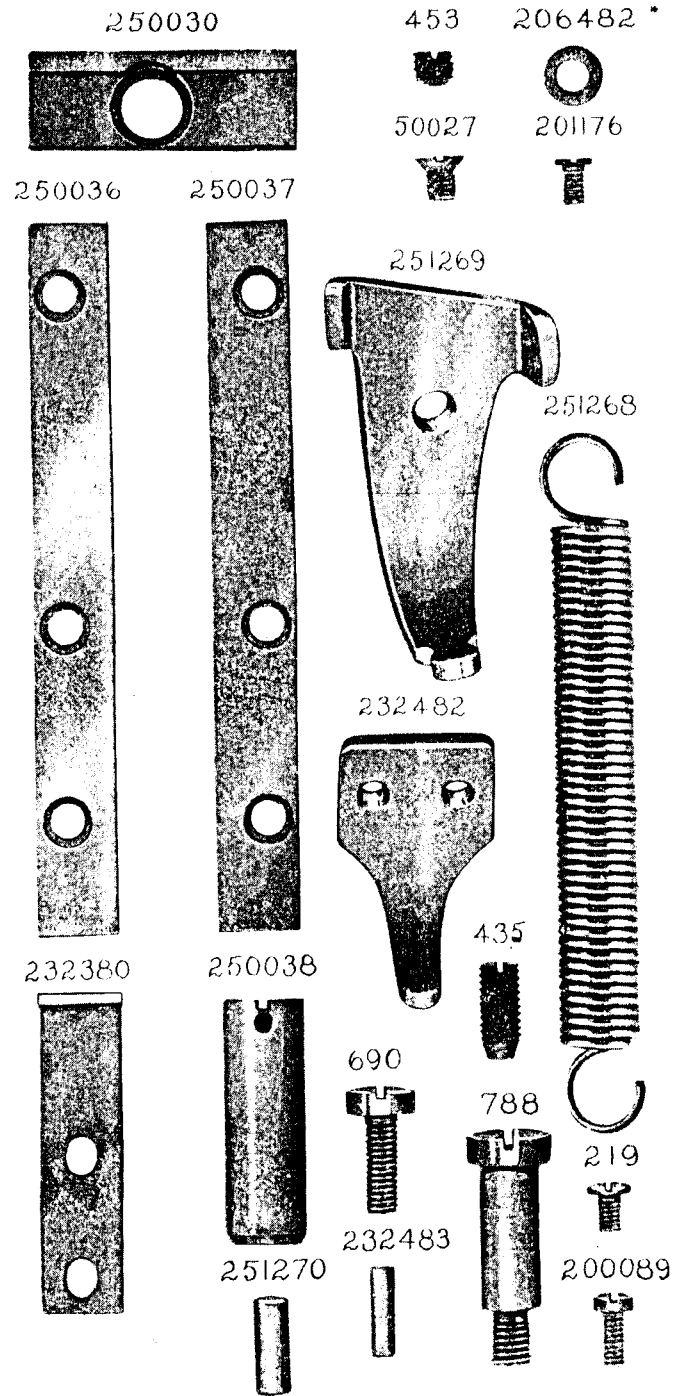


PLATE 13886—FULL SIZE

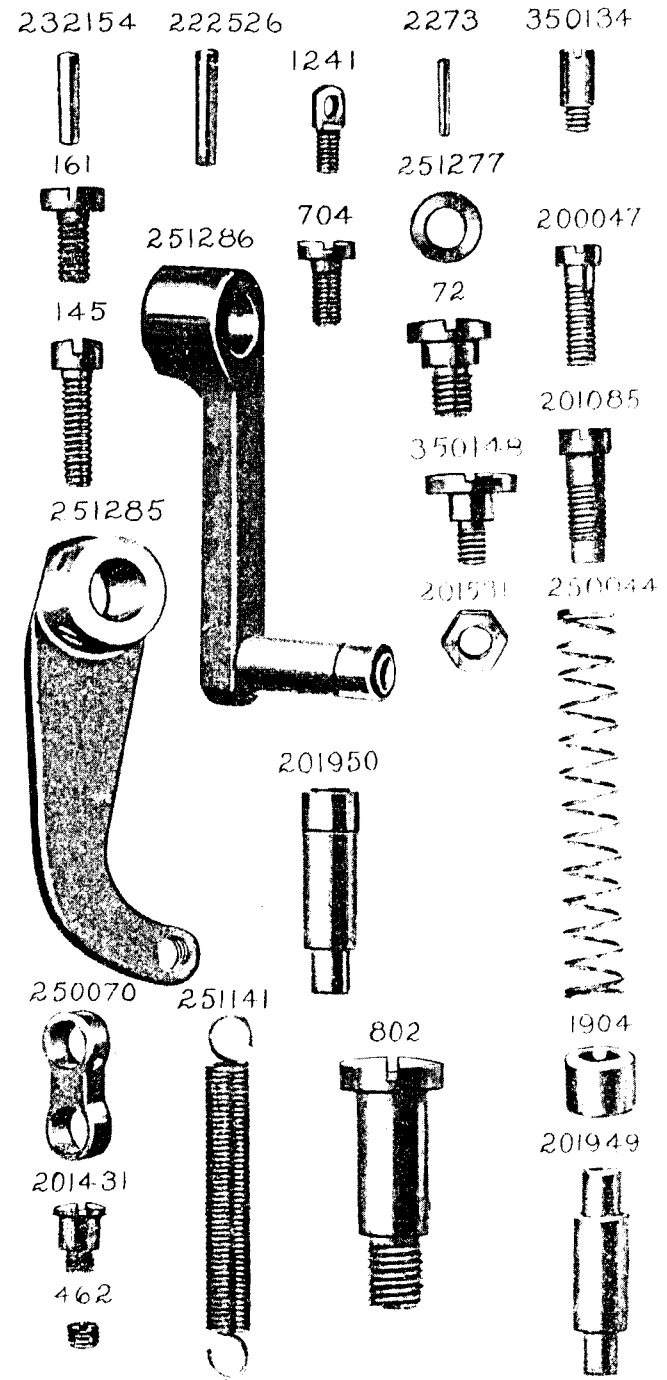


PLATE 13887—FULL SIZE

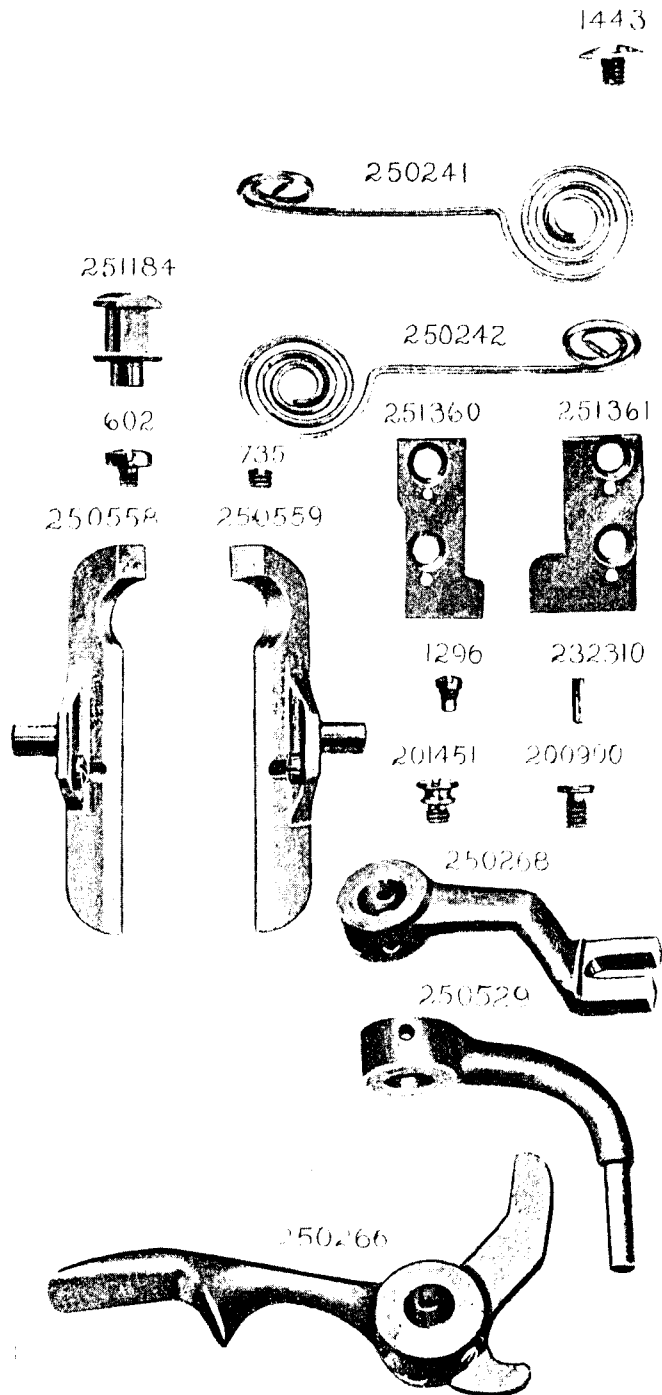


PLATE 13889—ONE-FOURTH SIZE

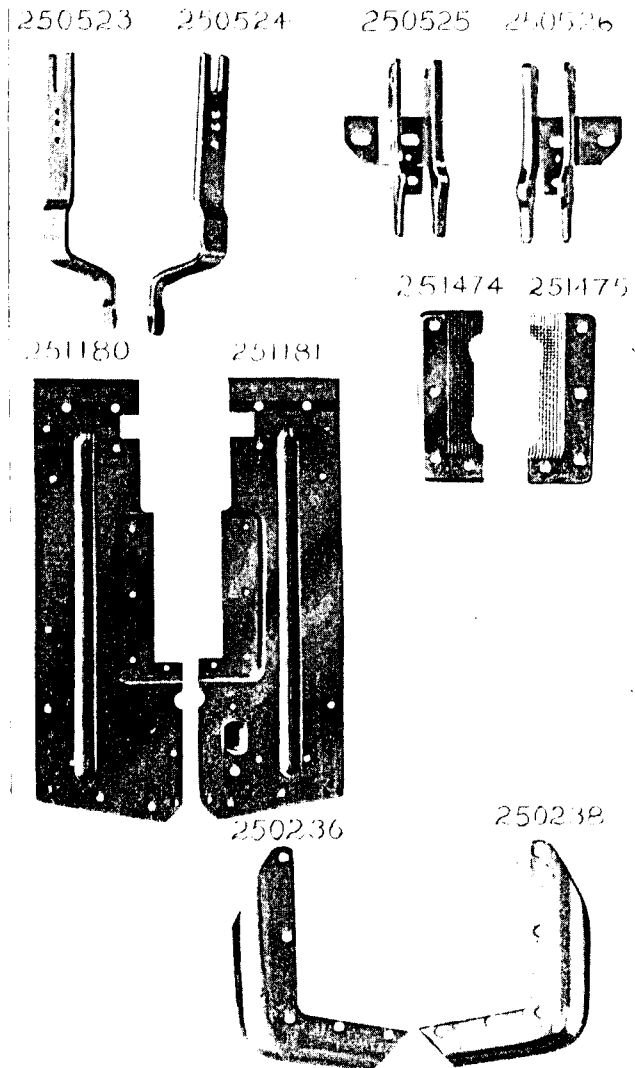


PLATE 13890—FULL SIZE

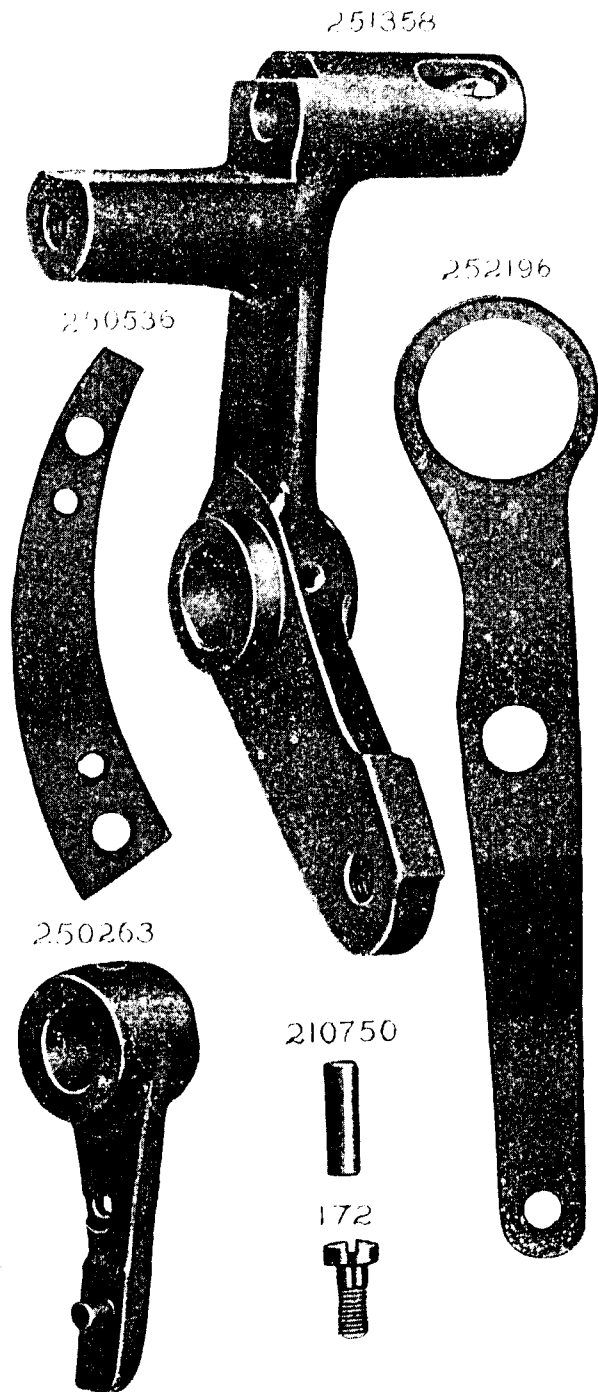


PLATE 13891—FULL SIZE

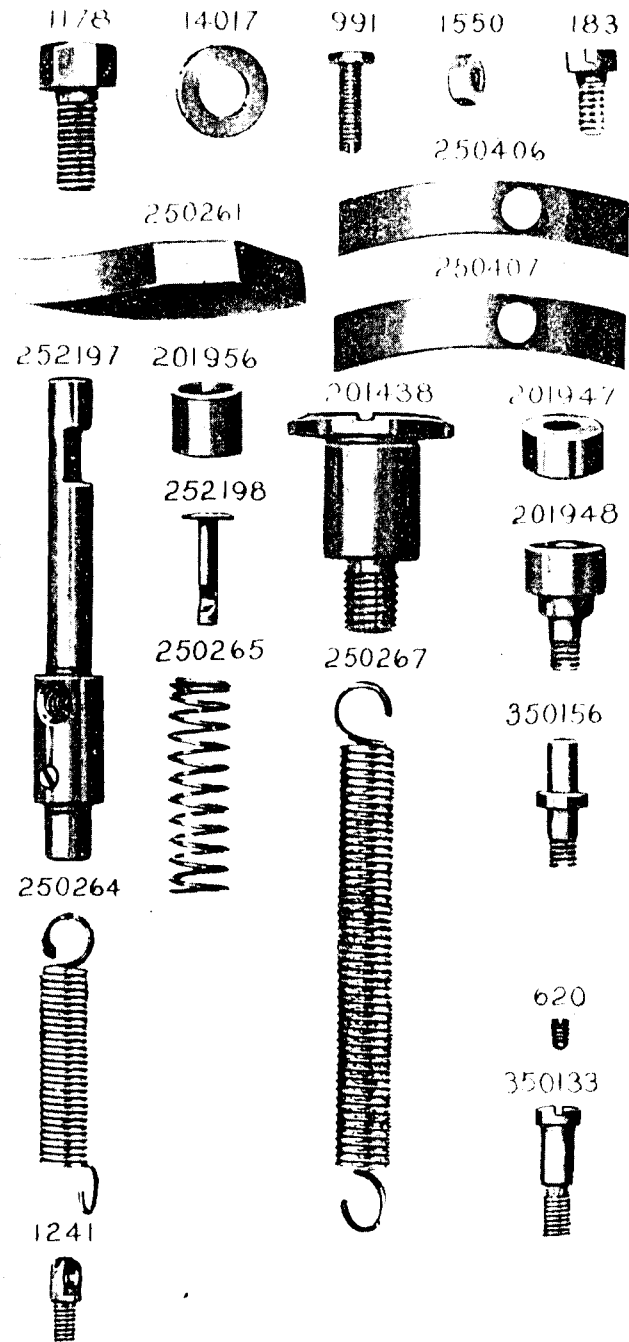
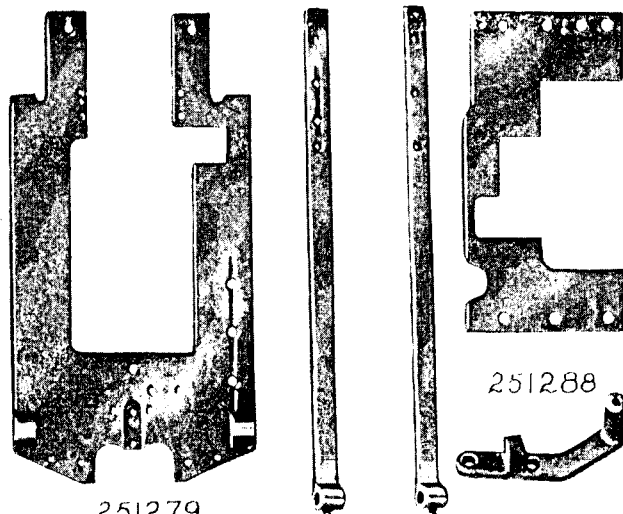


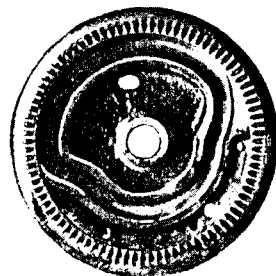
PLATE 13892—ONE-FOURTH SIZE

251185 250253 250254 251187

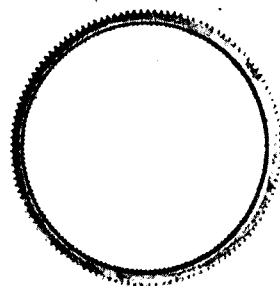


251279

251288



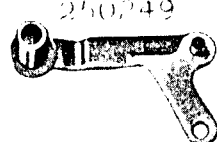
232532



250248



250249



251186
FULL SIZE

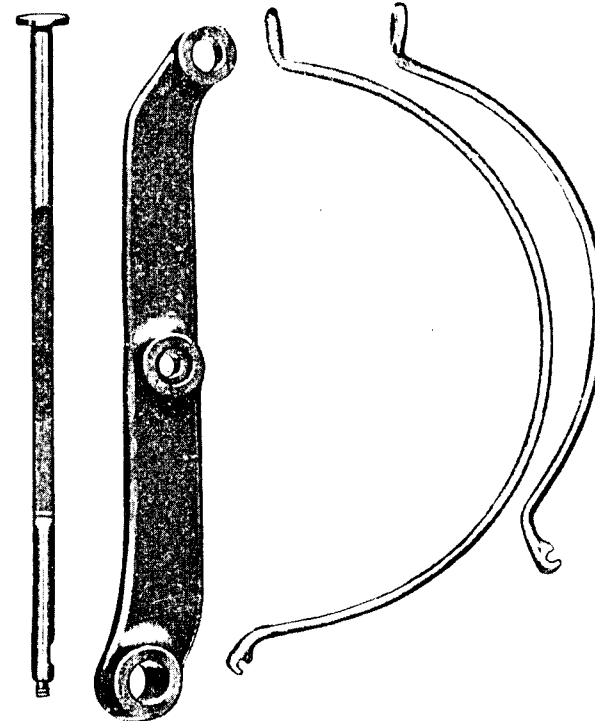


934
FULL SIZE



PLATE 13893—ONE-HALF SIZE

232462 250244 250060 250061



250252



FULL SIZE

232321



201374



201097



201530



232287



232686



231



PLATE 13894—FULL SIZE

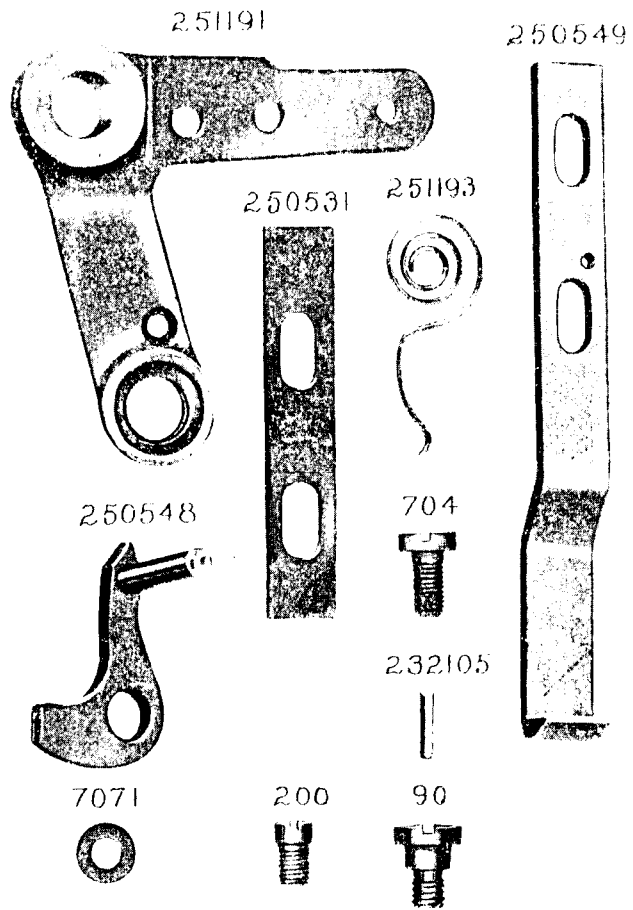


PLATE 13895—FULL SIZE

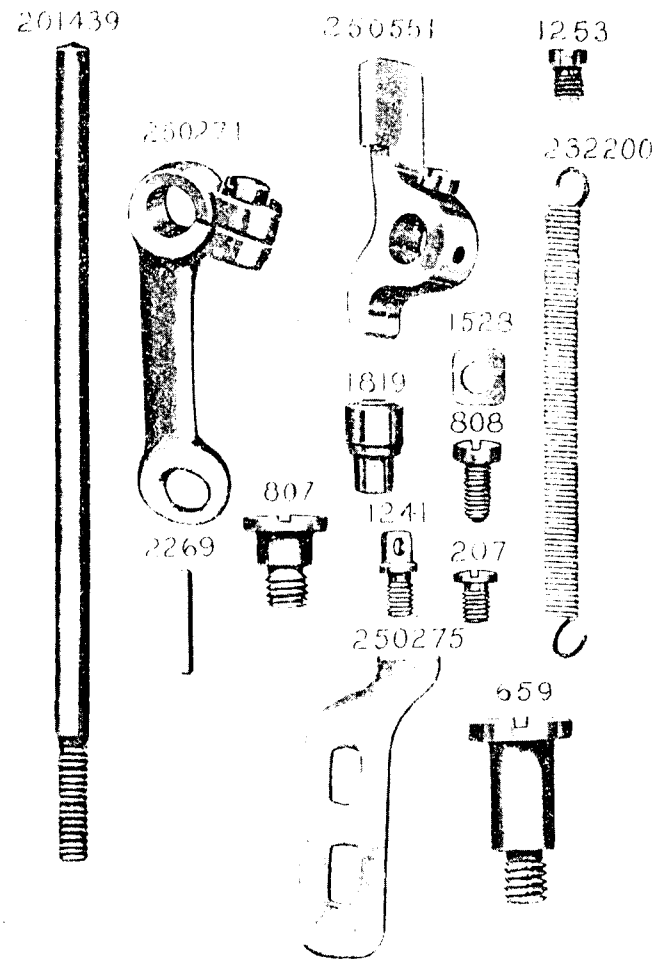


PLATE 13896—FULL SIZE

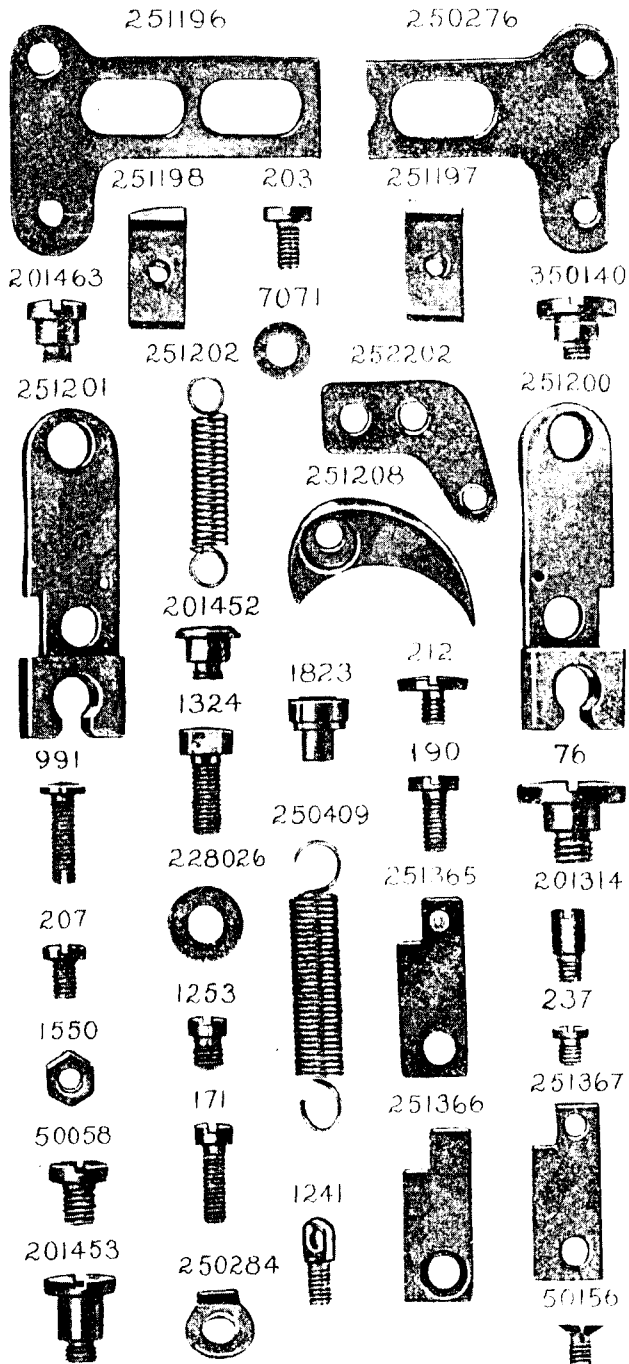


PLATE 13897—ONE-HALF SIZE

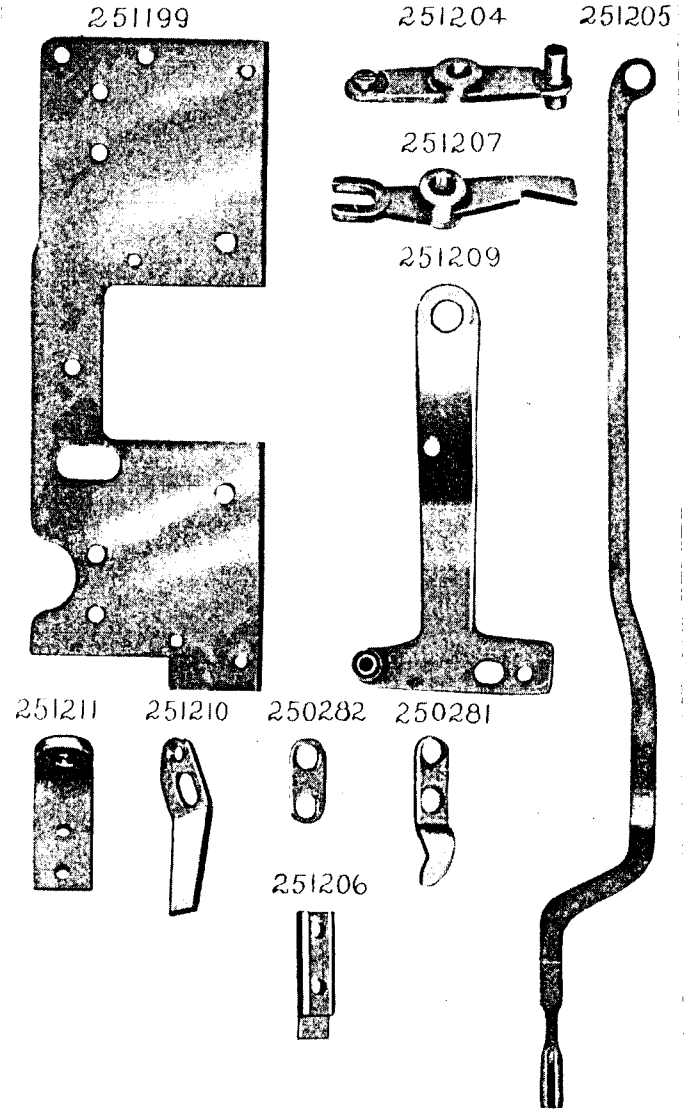


PLATE 13898--ONE-HALF SIZE

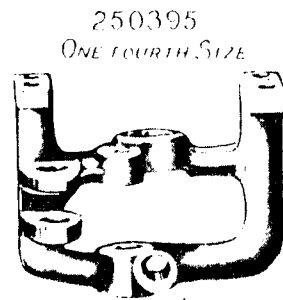
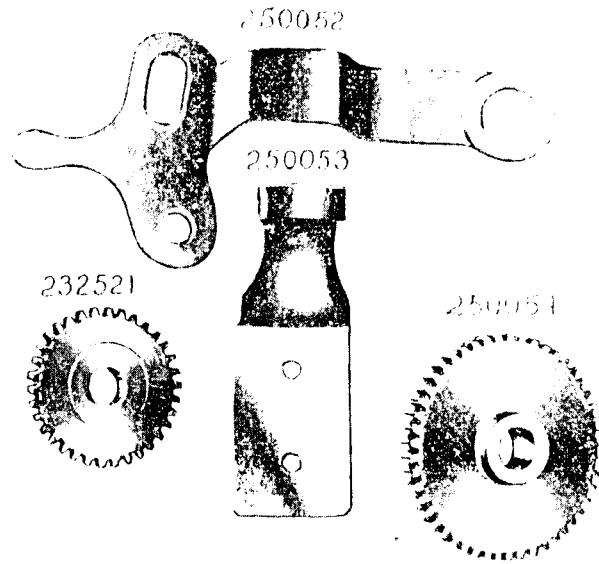


PLATE 13899--FULL SIZE

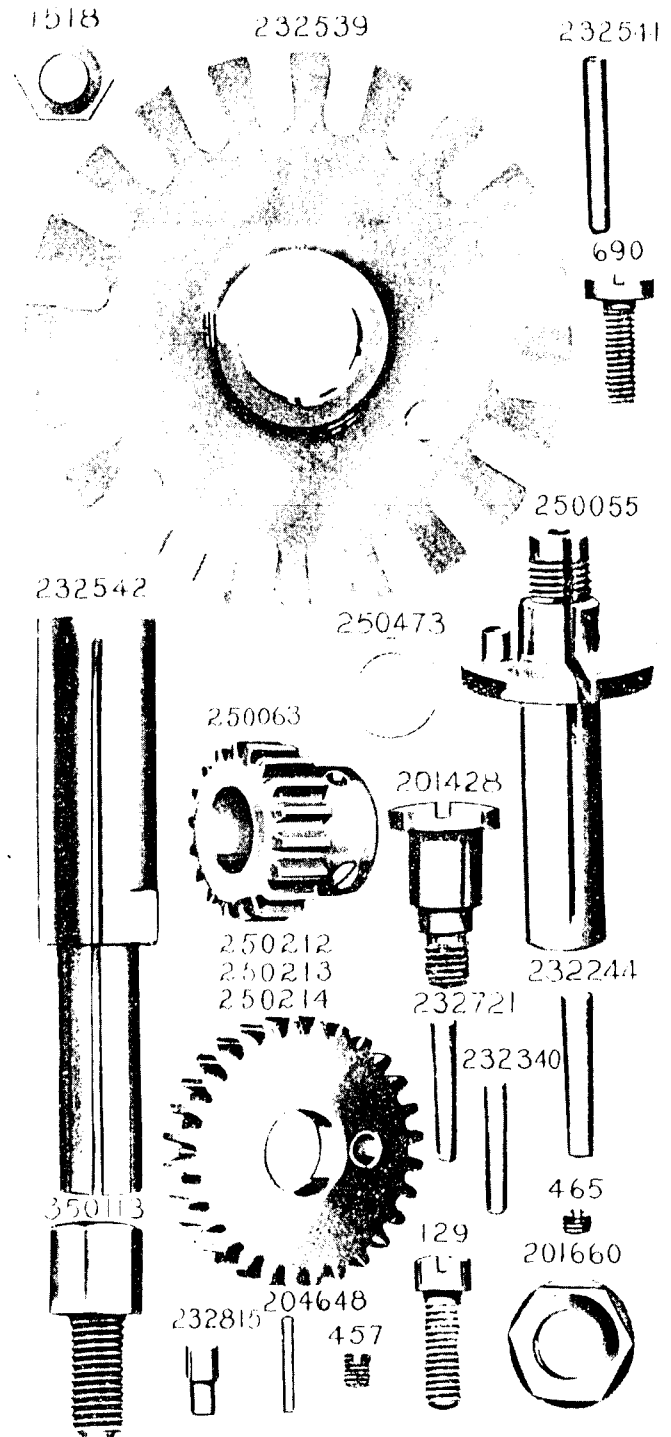


PLATE 13900—FULL SIZE

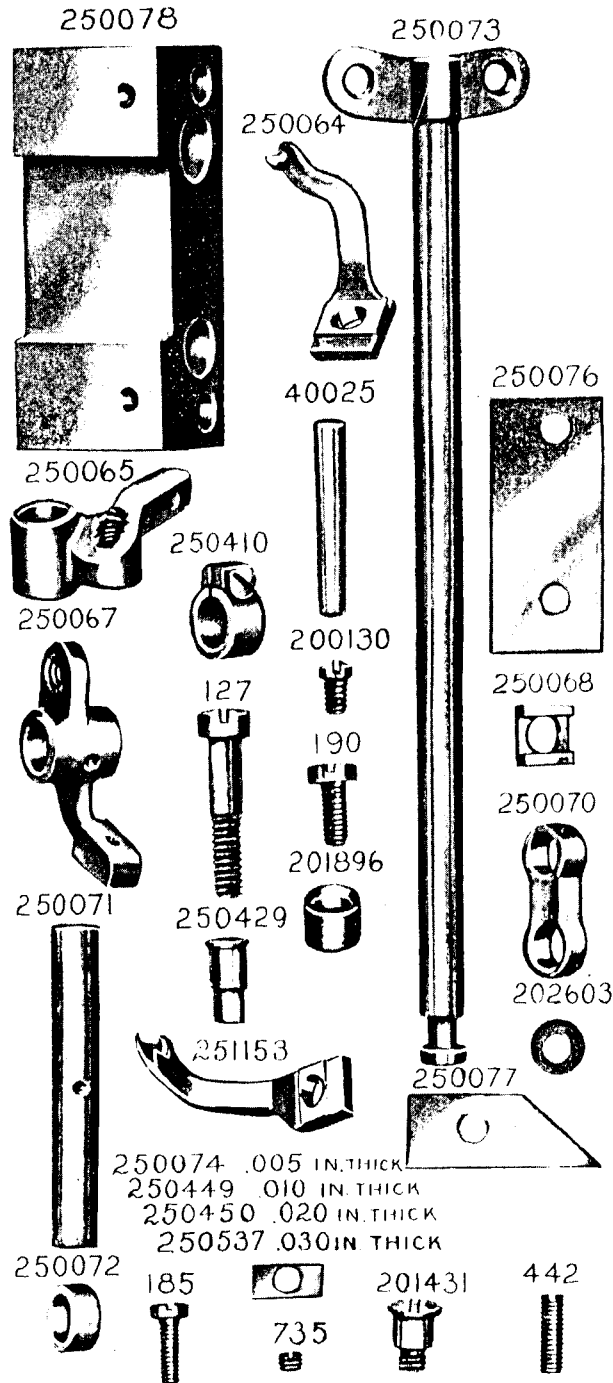


PLATE 13901—FULL SIZE

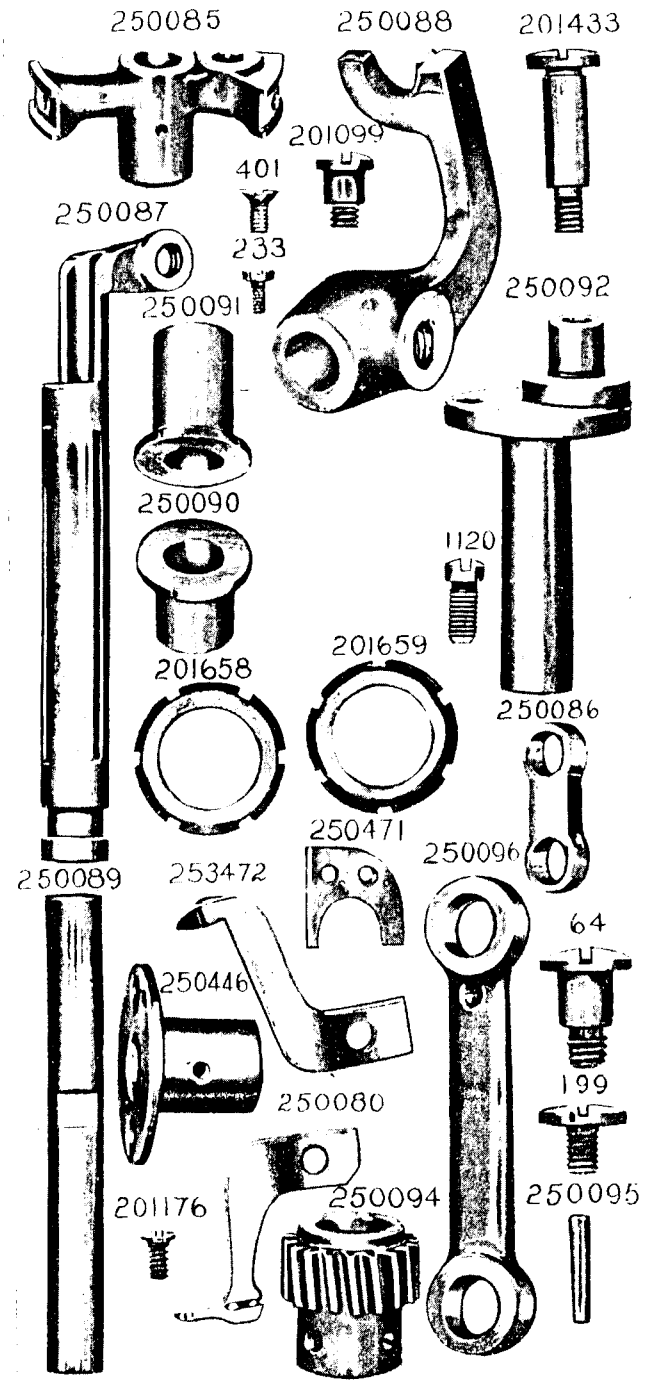


PLATE 13902--FULL SIZE

232516
ONE-FOURTH SIZE

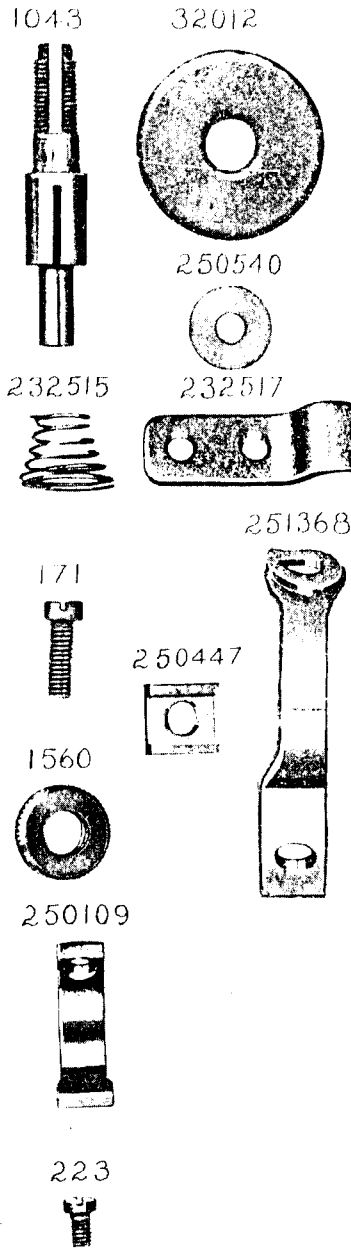


PLATE 13903--FULL SIZE

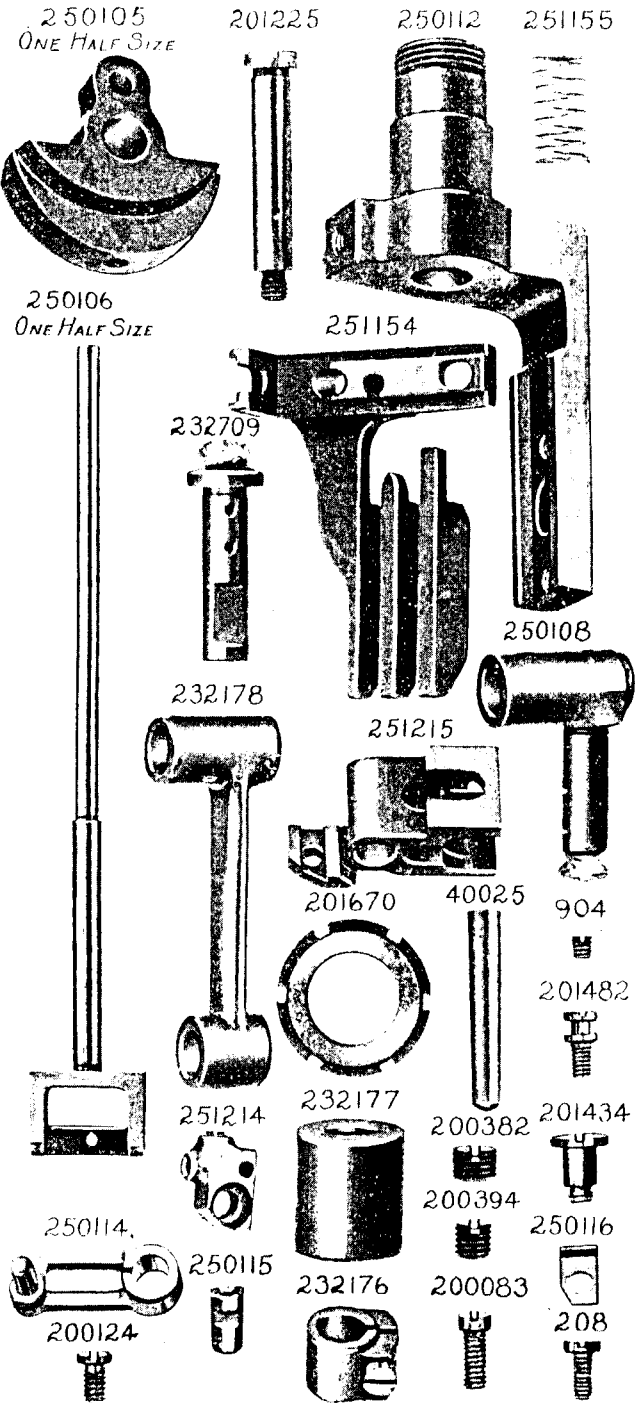


PLATE 13904—FULL SIZE

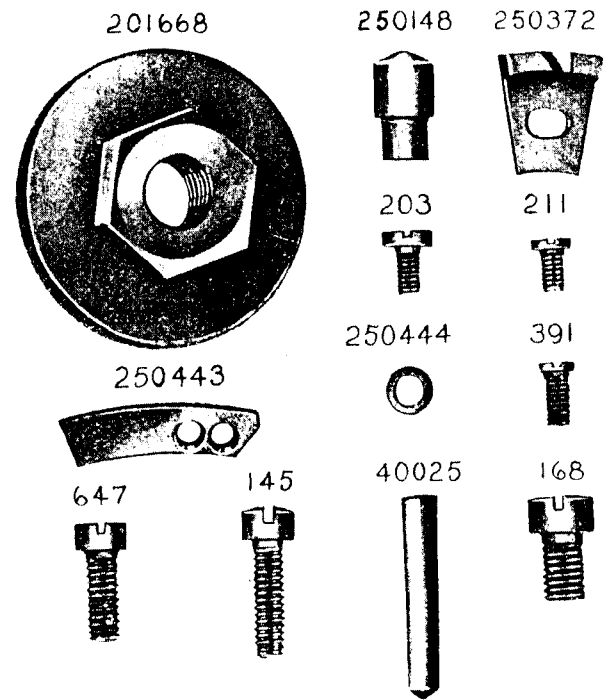


PLATE 13905—ONE-HALF SIZE

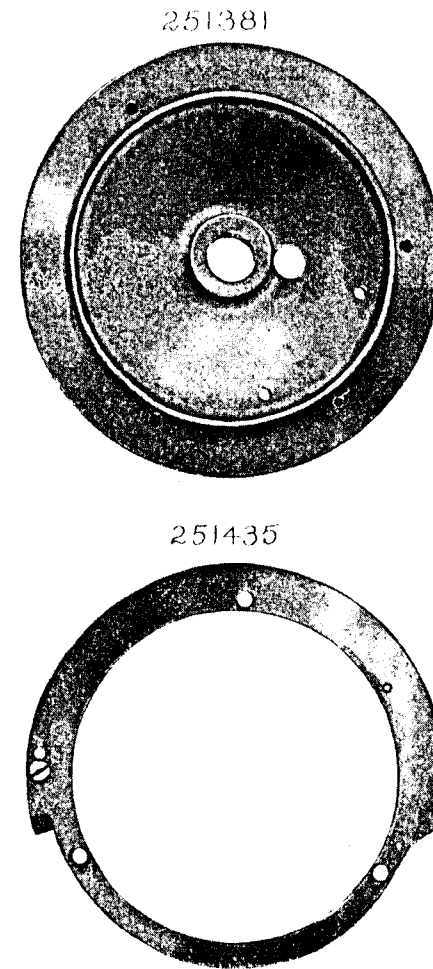


PLATE 13906—ONE-HALF SIZE

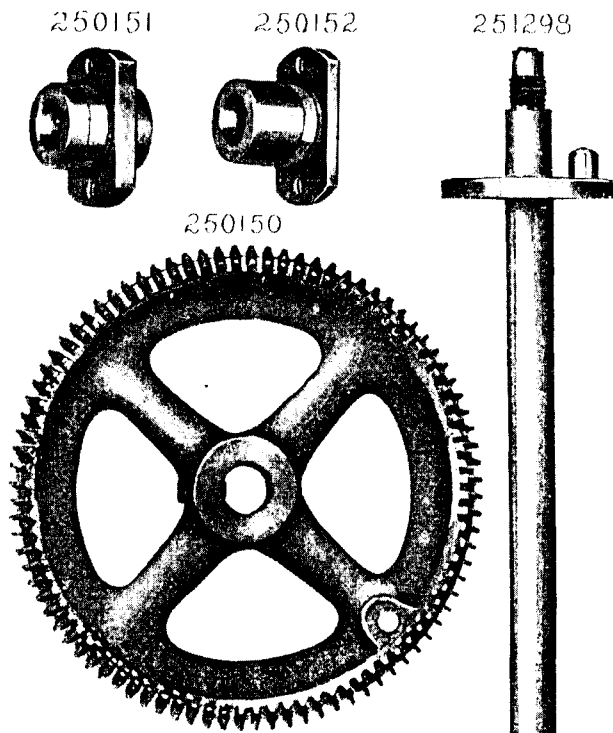


PLATE 13907--FULL SIZE

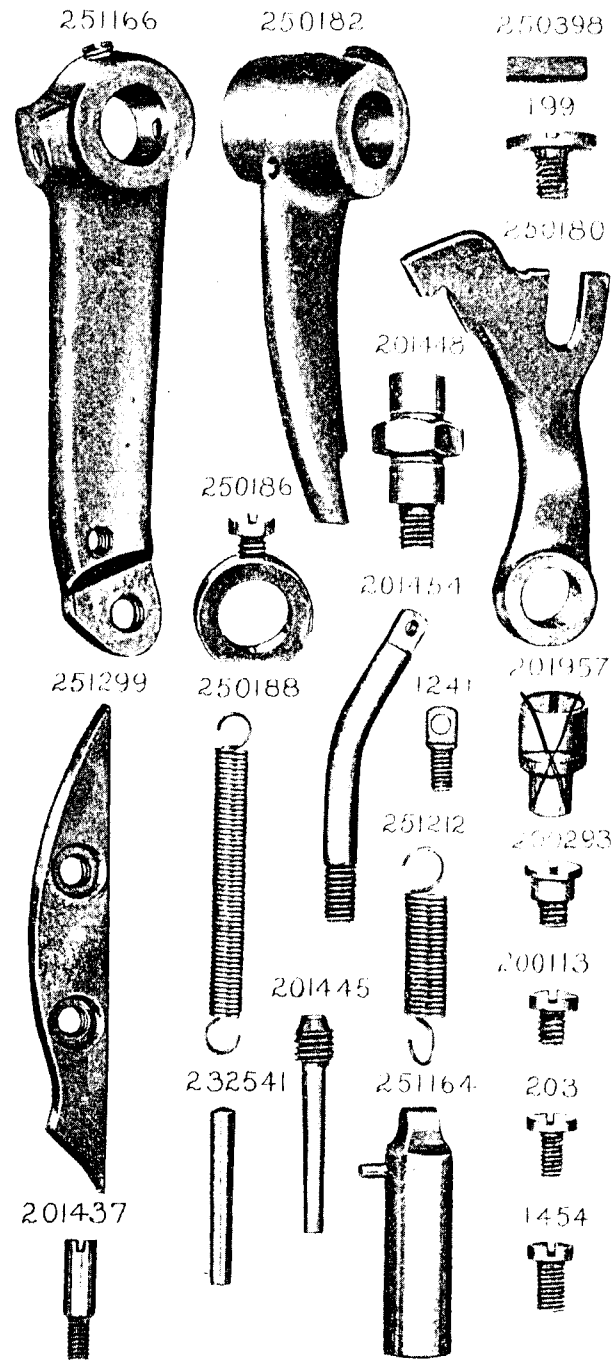


PLATE 13908—FULL SIZE

251294 200265 226467 251295

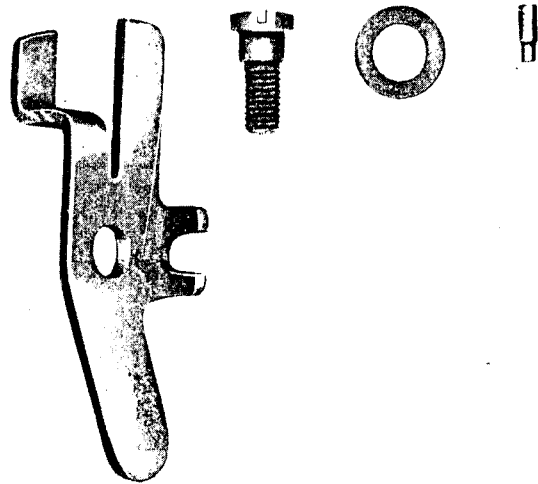


PLATE 13909—FULL SIZE

250418 250419 200097 250420

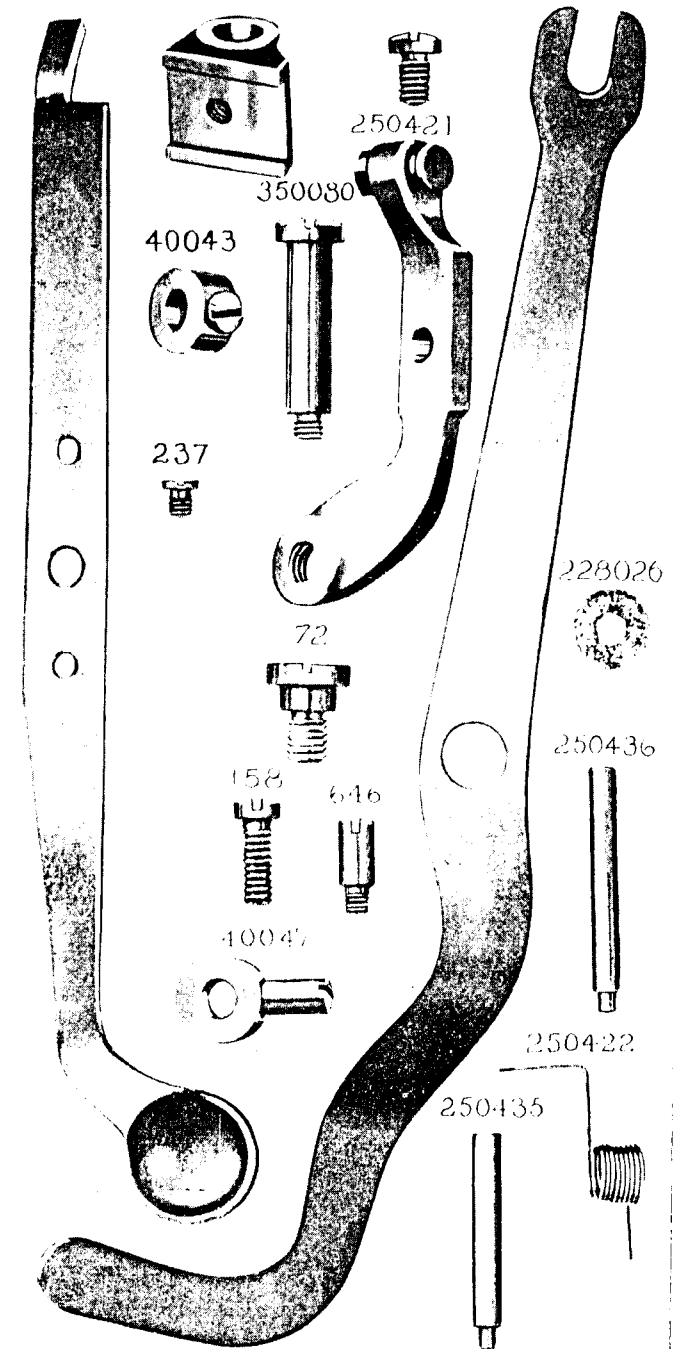


PLATE 13910—FULL SIZE

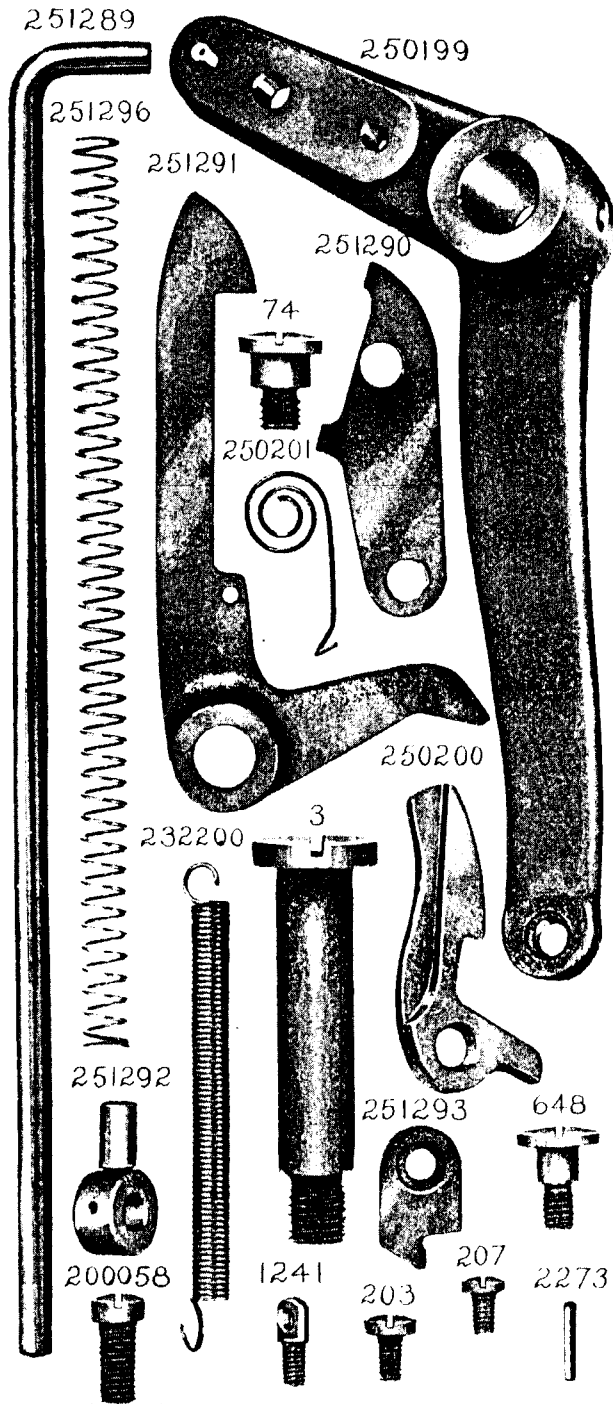


PLATE 13912—FULL SIZE

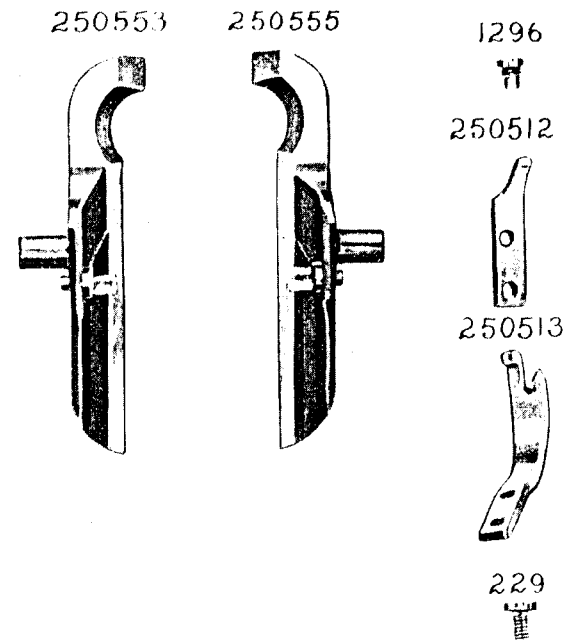


PLATE 13926—ONE-FOURTH SIZE

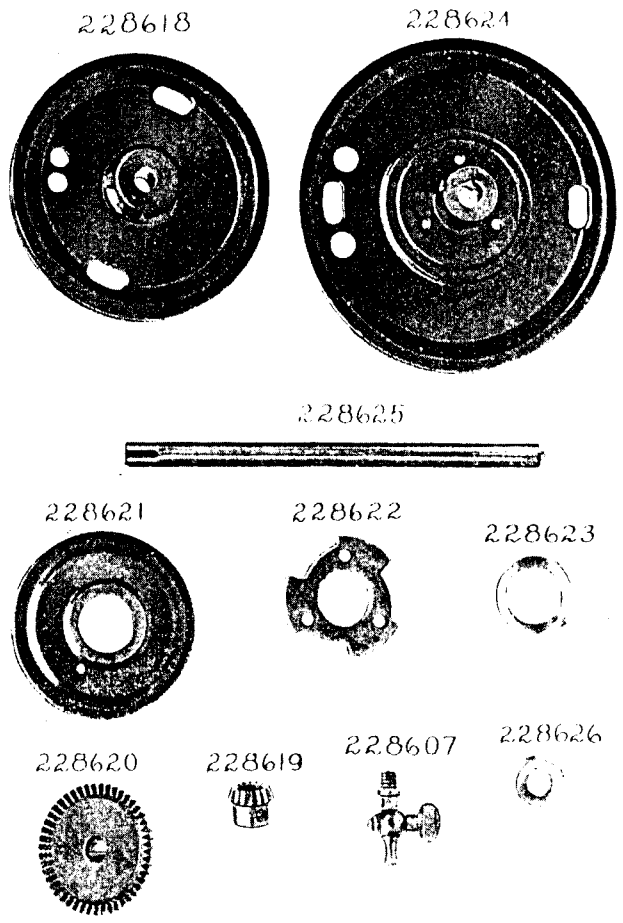


PLATE 13931—FULL SIZE

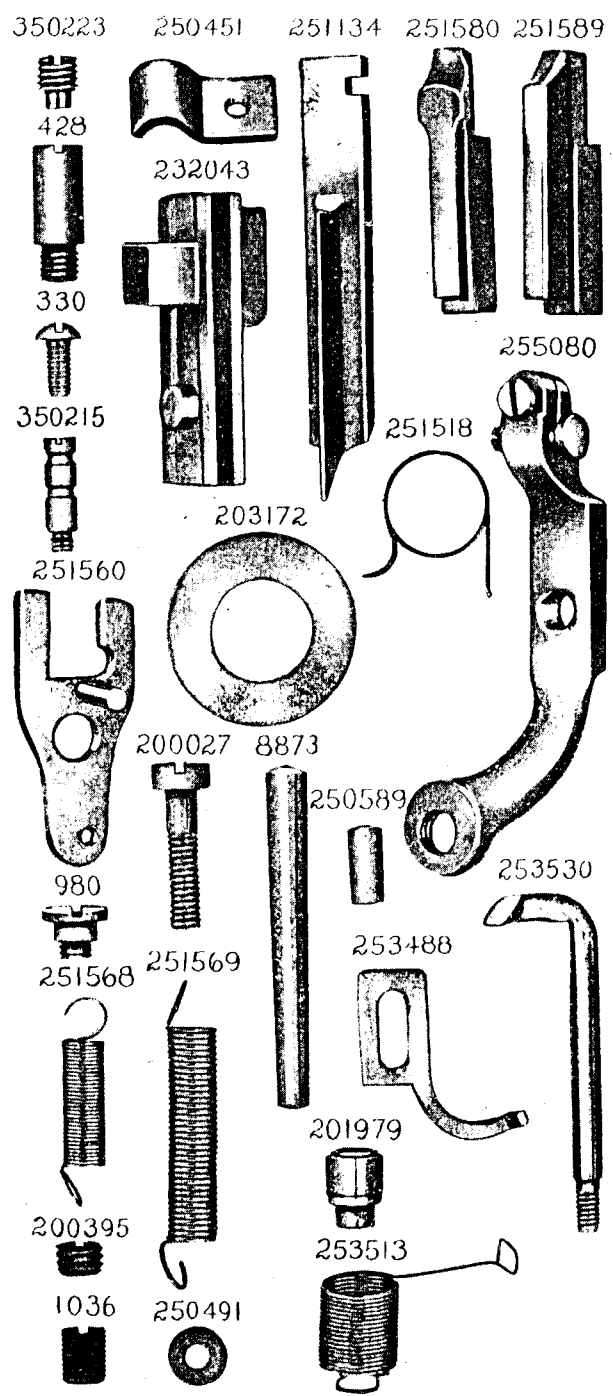


PLATE 13932—ONE-HALF SIZE

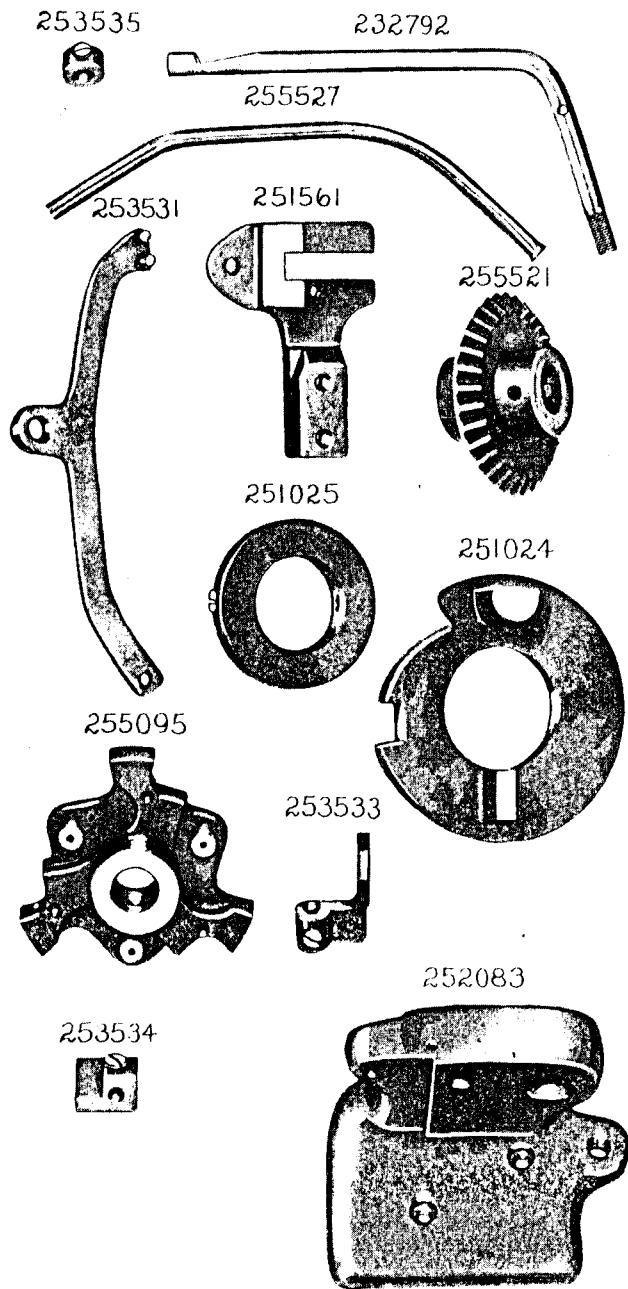


PLATE 13933—ONE-FOURTH SIZE

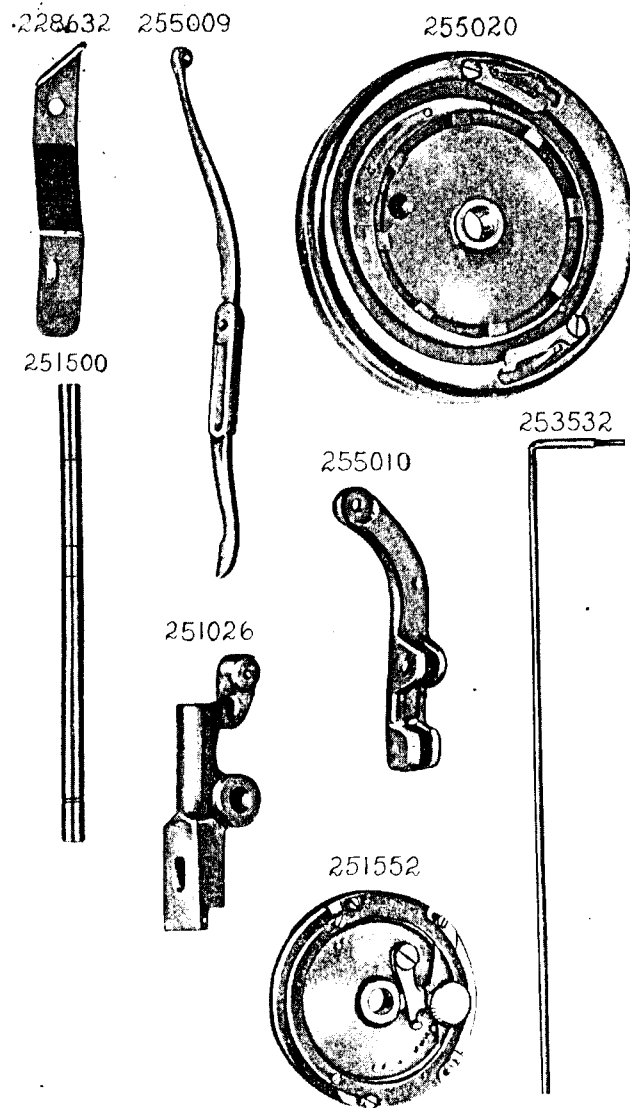


PLATE 13934—FULL SIZE

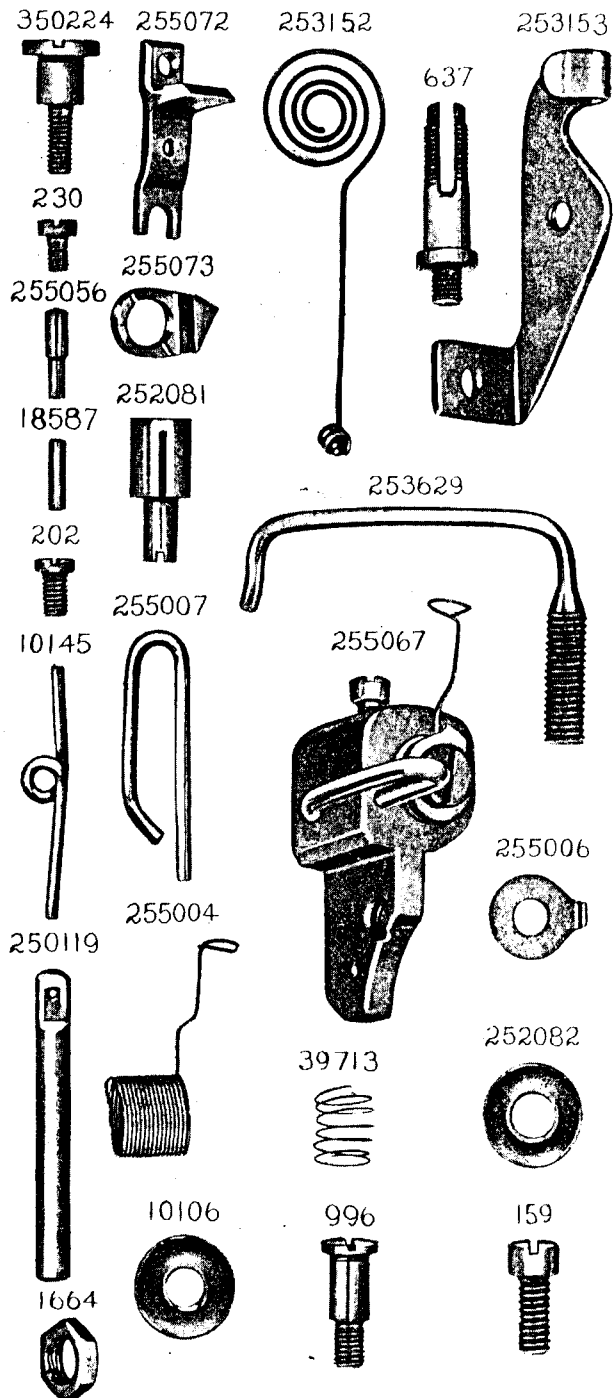


PLATE 13935—ONE-HALF SIZE

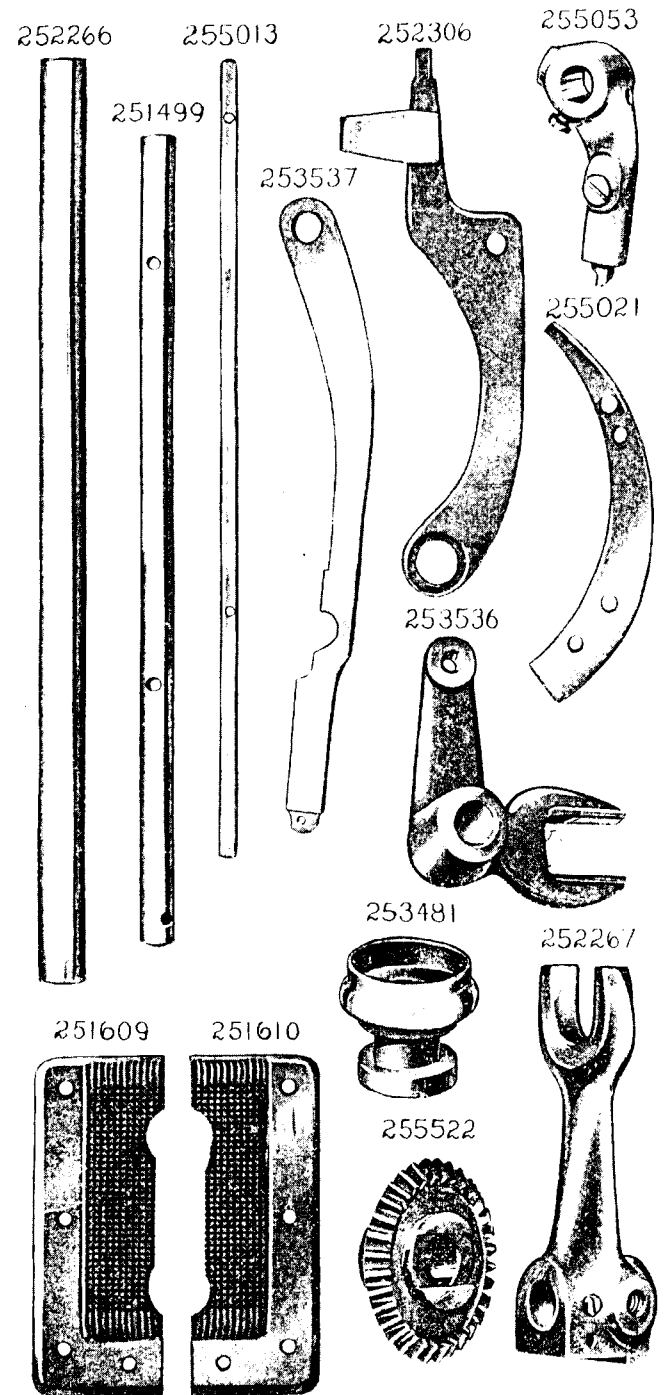


PLATE 13936—FULL SIZE

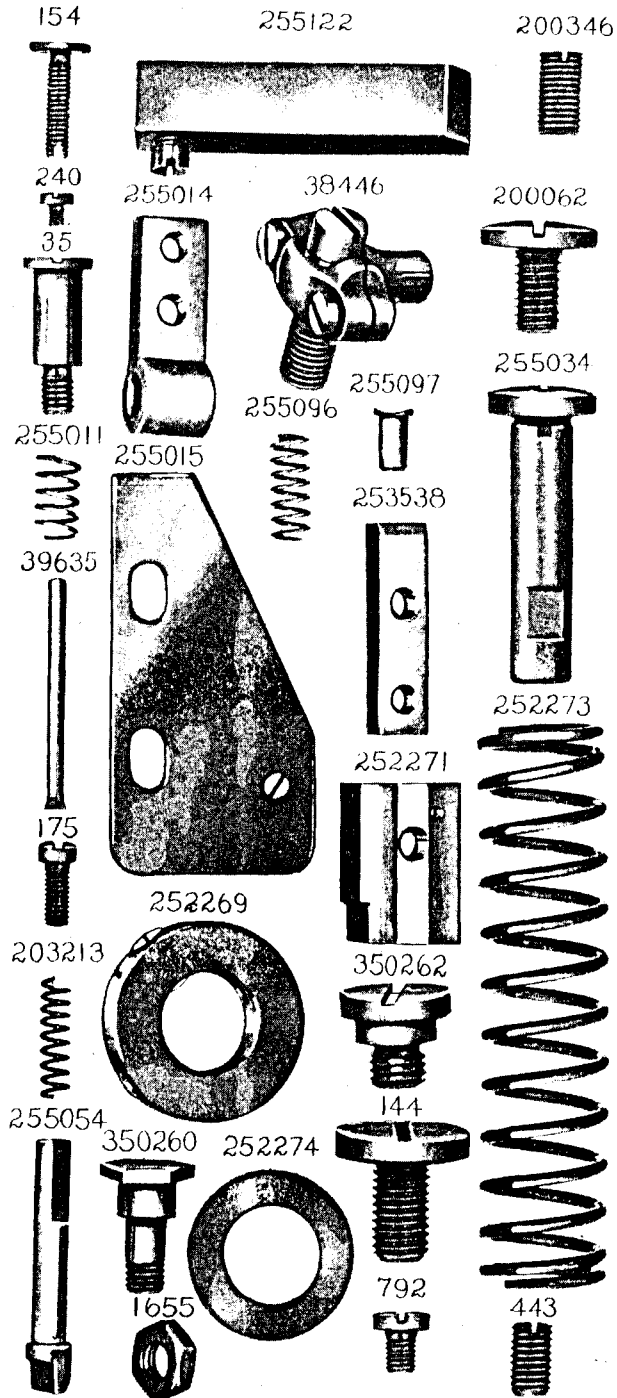


PLATE 13937—FULL SIZE

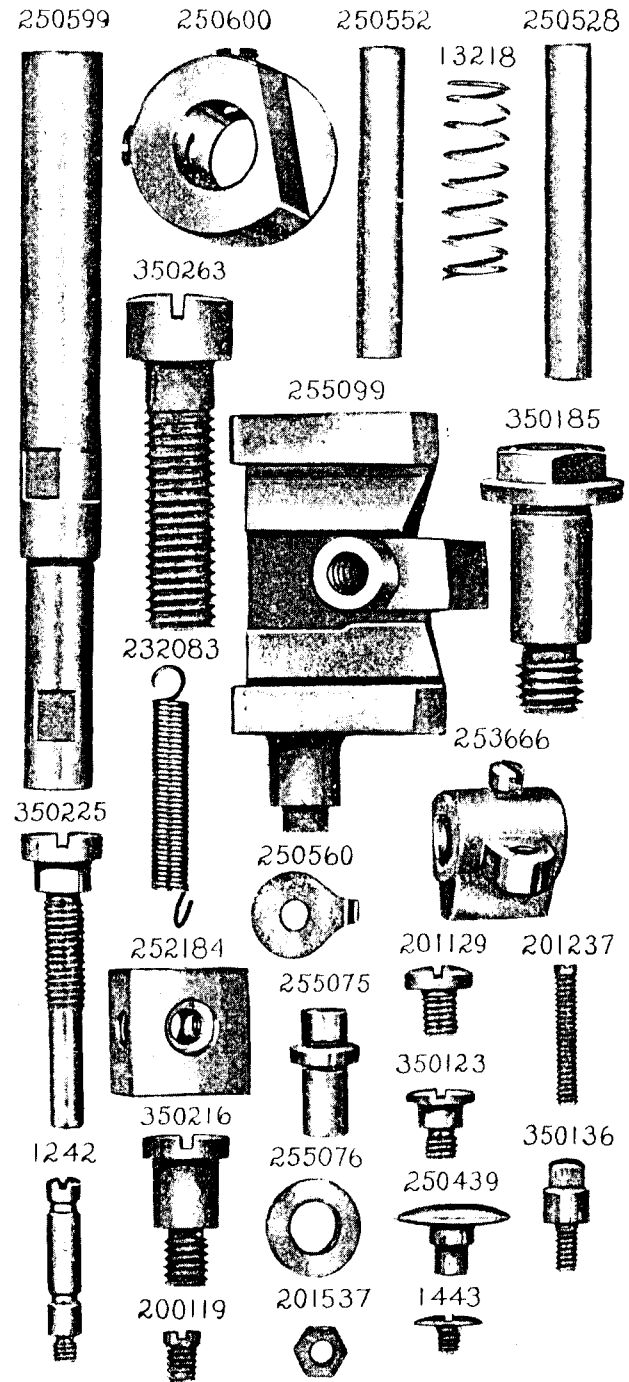


PLATE 13938—FULL SIZE

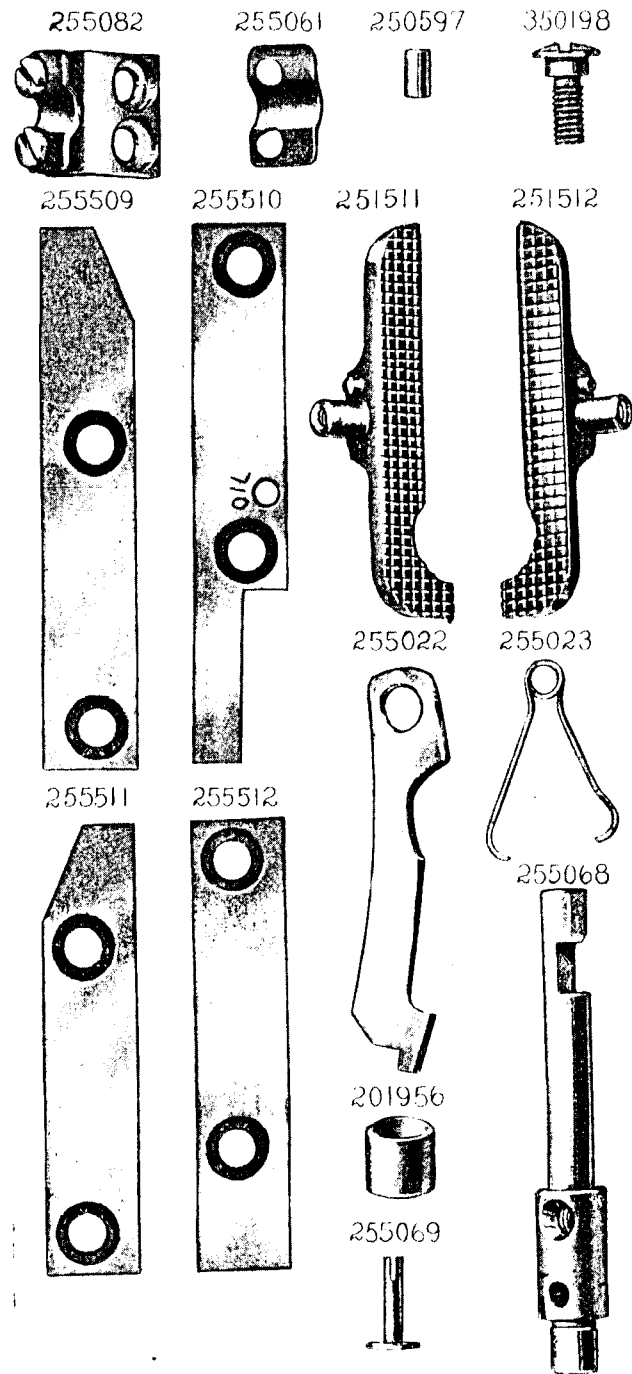


PLATE 13939—FULL SIZE

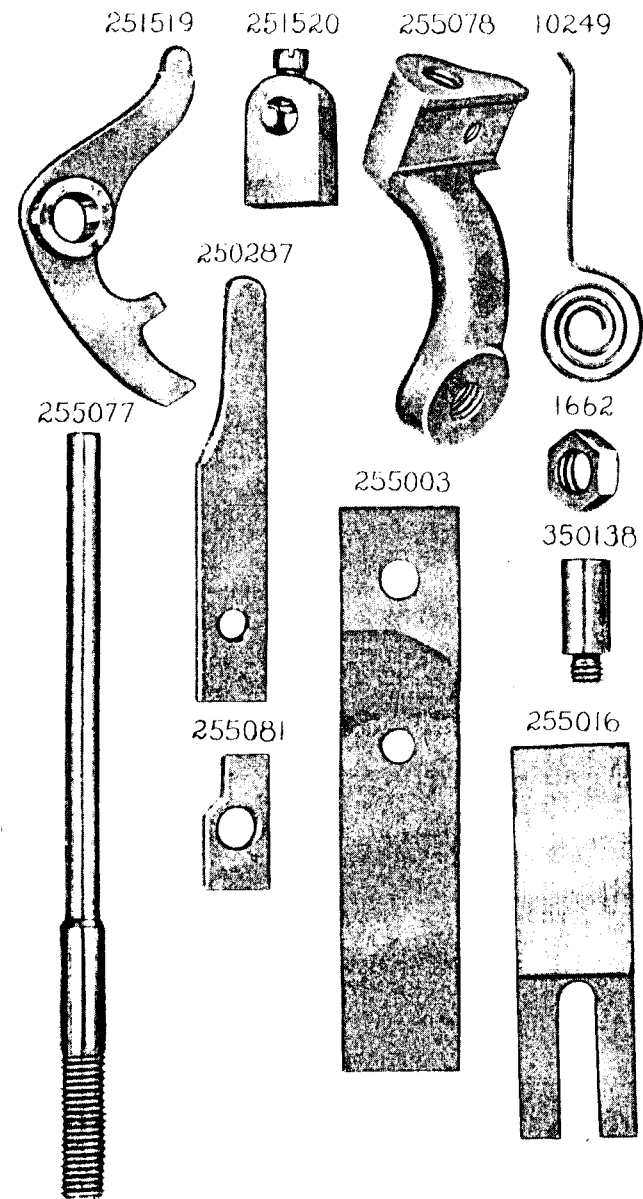


PLATE 13940—ONE-HALF SIZE

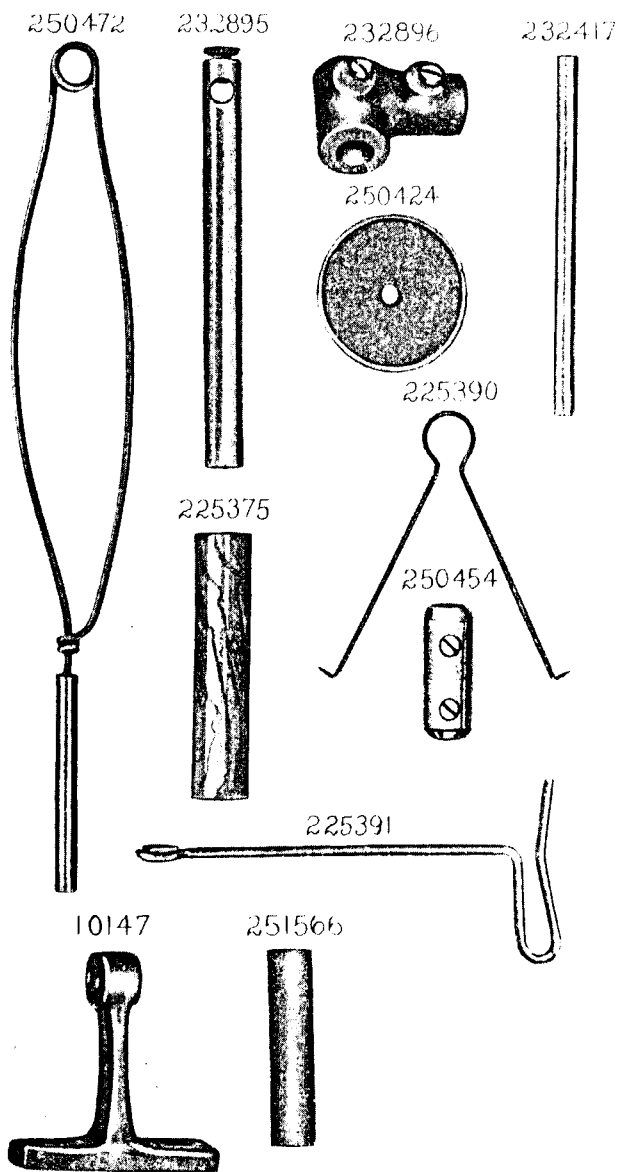


PLATE 13941—FULL SIZE

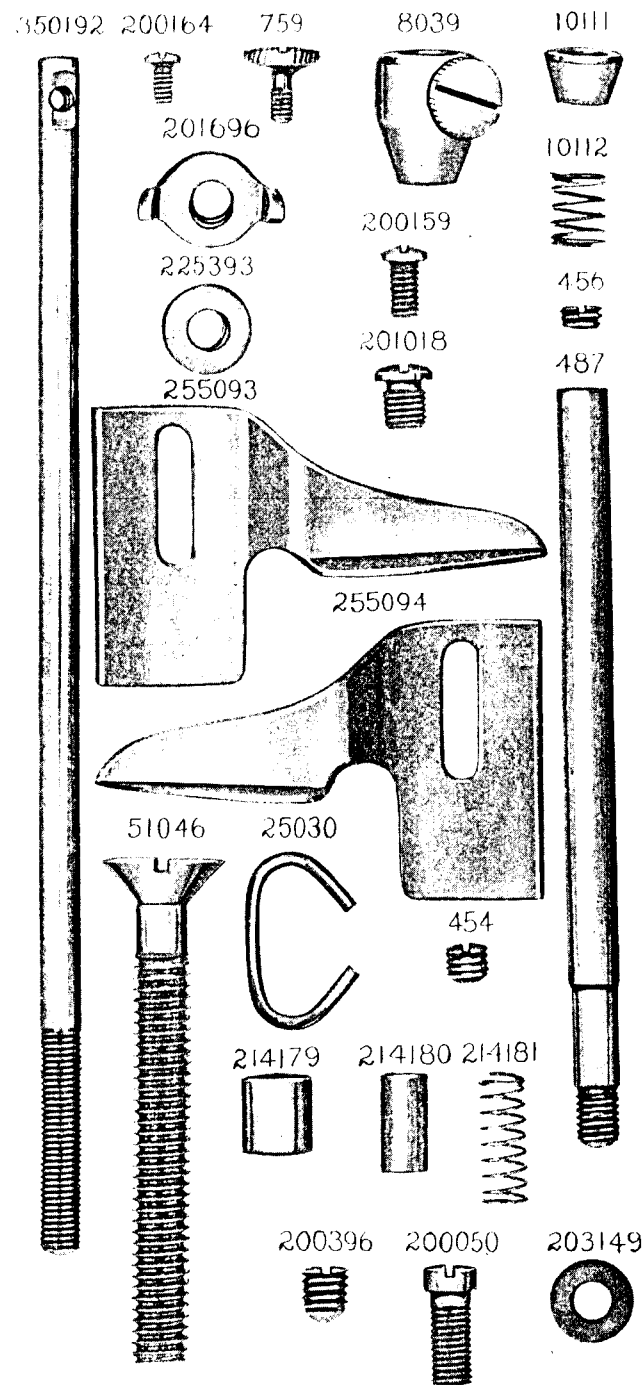


PLATE 13942—FULL SIZE

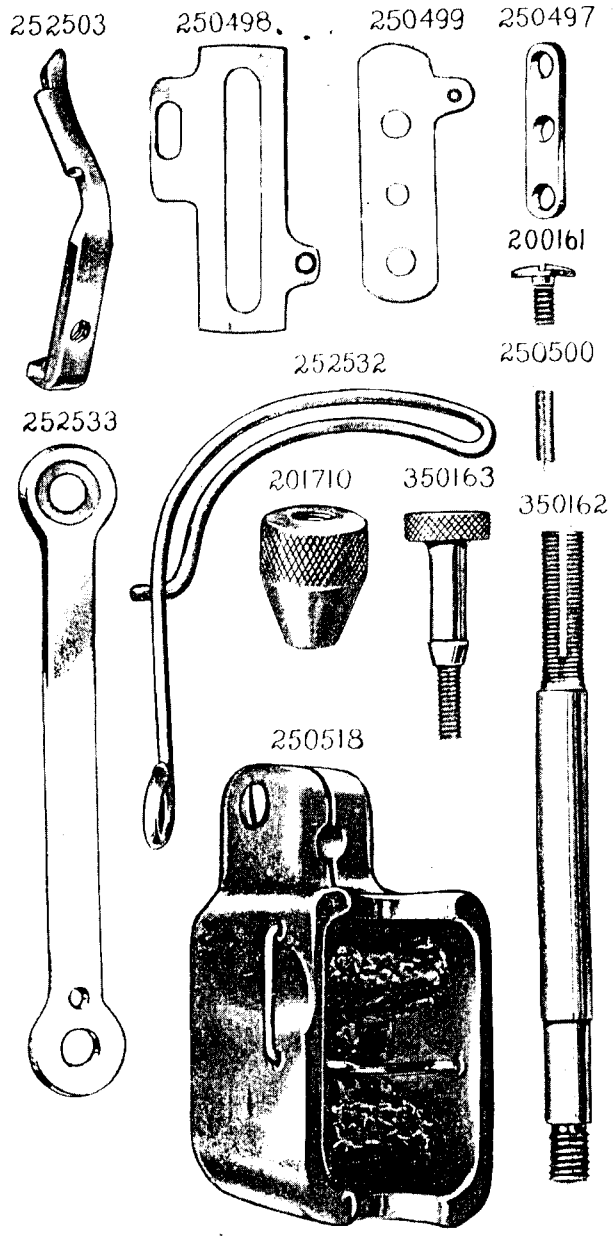


PLATE 13943—FULL SIZE

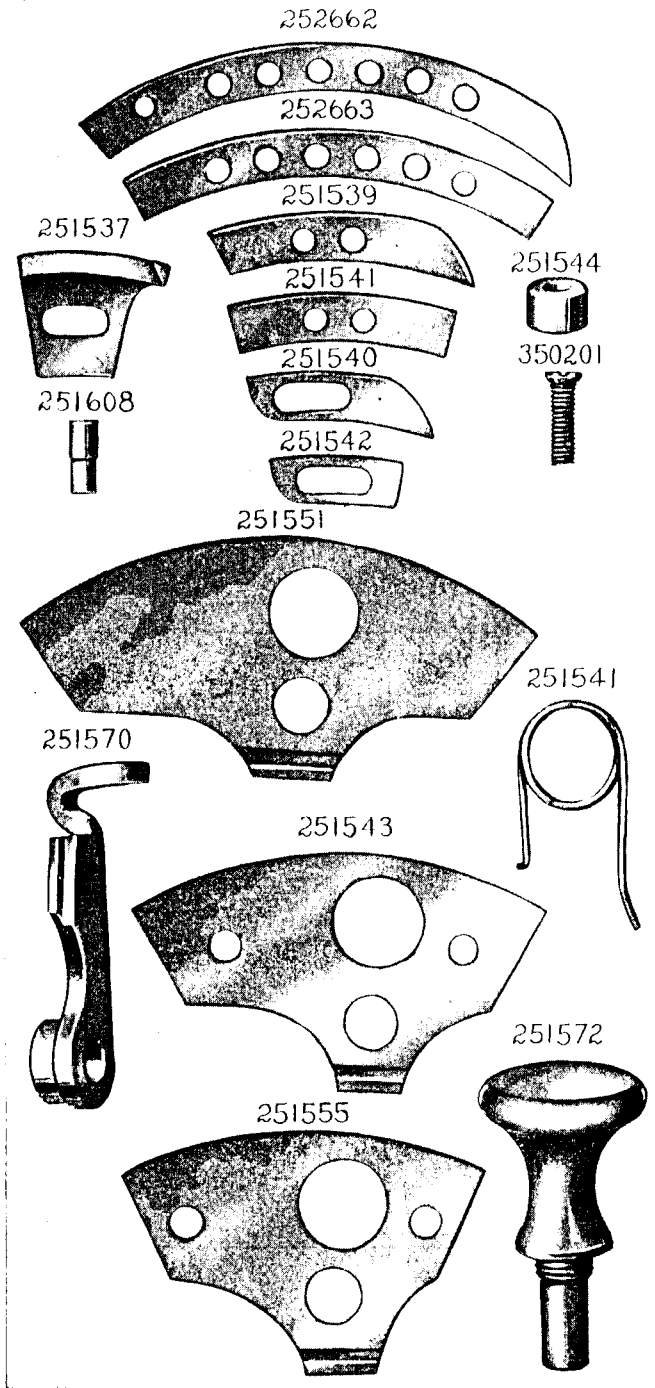


PLATE 13944—ONE-FOURTH SIZE

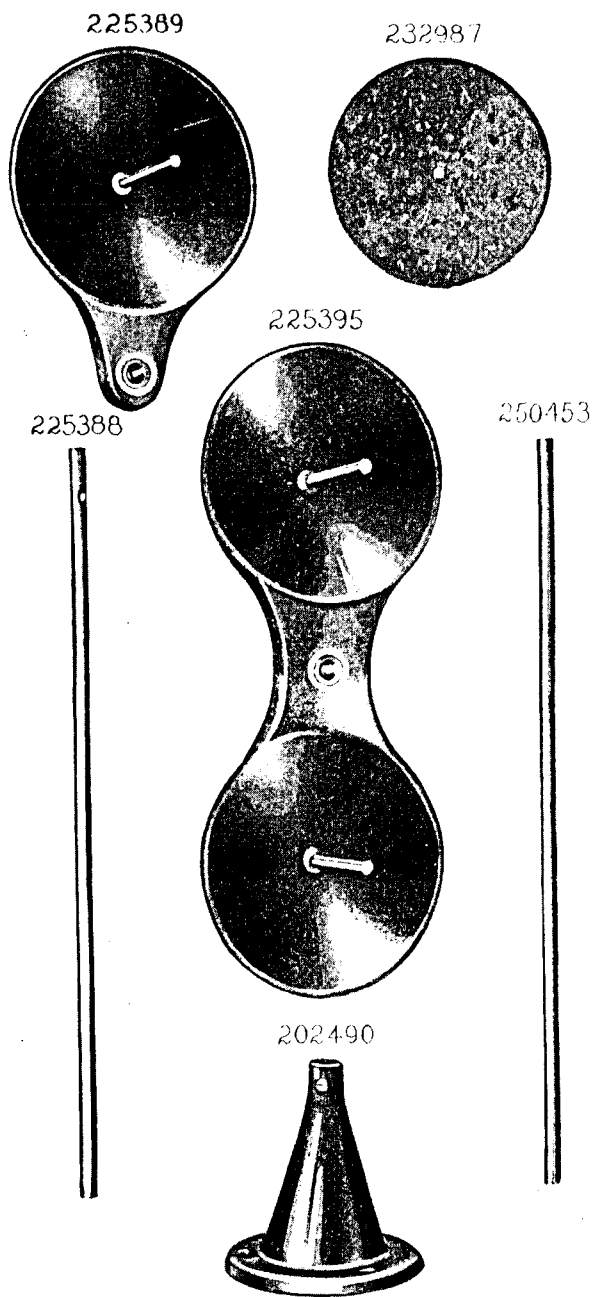


PLATE 13945—FULL SIZE

