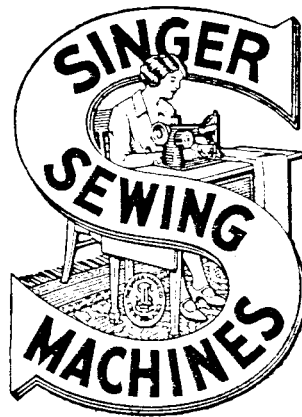


SINGER
99W86,W88

Form 2160w
May, 1931
PRINTED IN U. S. A.

LIST OF PARTS



MACHINES

Nos. 99w86 and 99w88

THE SINGER MANUFACTURING COMPANY

INDEX

COPYRIGHT, U. S. A.
1923, 1924, 1925, 1930 AND 1931,
BY THE SINGER MANUFACTURING COMPANY
ALL RIGHTS RESERVED FOR ALL COUNTRIES

	PAGE
ACCESSORIES	48
BUTTONHOLE CUTTING BLOCKS	57
" " KNIVES	57
DRIVING EQUIPMENT	50
KNIFE TRUING FIXTURE	61
MACHINE No. 99wS6	7
" " 99wSS	46
NUMERICAL LIST OF PARTS	65
PATTERN WHEELS	58
" WHEEL CABINET	60
SHAFT PULLEYS	62
THREAD LUBRICATING CUP	61
" UNWINDER	49
TRANSMITTER PULLEYS	64

Instructions for Ordering

In ordering from this list, use **ONLY** the **PART** number in the **FIRST** column.

The number stamped on a Sewing Machine Part is the number of the Single Part only, except when the part includes Set Screws, Clamping Screws, Studs and Rollers Spun on, Small Wires riveted, or Parts soldered together, etc., which it is necessary to furnish in combination.

Every combination of parts sent out has its specific number which, although not stamped on Parts (except in above cases) must be used when ordering the combination.

Each number always indicates the **SAME PART** in whatever list it appears, or for whatever Machine.

The letters after some of the numbers indicate the style of finish only, as follows:

- A. Hardened, Polished and Plated.
- B. Polished and Plated.
- C. Hardened only.
- D. Polished only.
- E. Soft, not polished.
- F. Hardened and Polished.
- H. Blued.

These letters **MUST BE USED** when they appear in the list and **AFTER** the number, as in the list.

In this series

- 1 to 1500 and 200001 to 201500 are Screw Numbers.
- 1501 to 1800 and 201501 to 201800 are Nut Numbers.
- 1801 to 2000 and 201801 to 202000 are Roller Numbers.
- 2001 to 50000, 202001 and upwards are Numbers of Machine Parts.

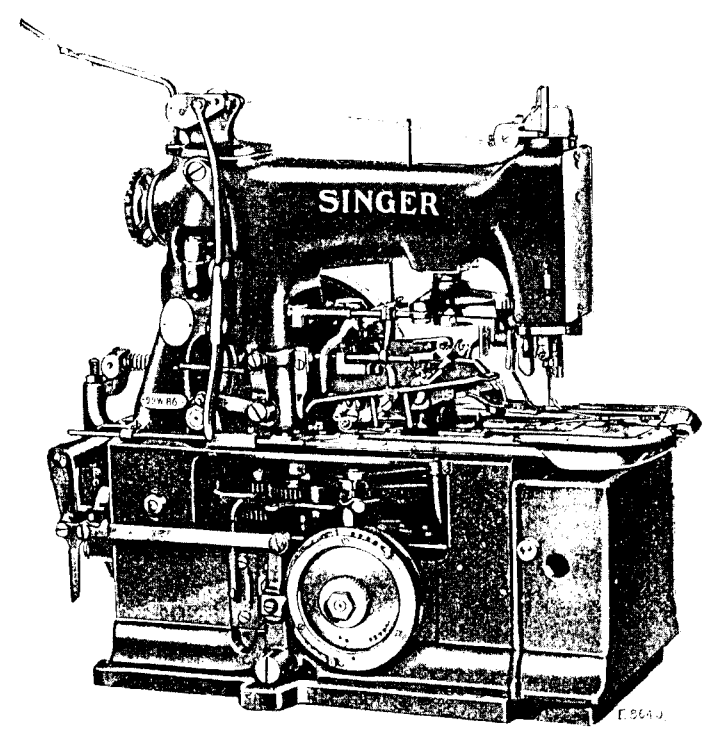
The figures in the second column refer only to the plate in which the illustration of the part is shown and are **NOT TO BE USED** in ordering.

Two or more numbers over a cut indicate that the difference between such parts is not visible in an illustration.

Parts marked with an asterisk (*) are furnished only when repairs are made at the factory.

LIST OF PARTS COMPLETE

FOR



MACHINE No. 99w86

CUTS AFTER STITCHING

Automatic Eyelet End Buttonhole Machine, for $\frac{5}{8}$ in buttonholes in pant flies, etc. or $\frac{3}{4}$ in. buttonholes in overalls, etc.

No.	Plate	Name
*250001	---	Arm
204235	13811	" Position Pin (2)
200020E	13811	" Screw (4)
232488	13858	" Shaft

No.	Plate	Name
232489	13956	Arm Shaft Bevel Gear (order Position Screw or Set Screw as required)
232244	13811	Arm Shaft Bevel Gear Position Pin
350223E	13956	" " " " " Screw
453C	13849	" " " " Set Screw ..
232002	13812	" " Bushing (back) with 202260
232490	13812	Arm Shaft Bushing (front) with 202260
202260	---	Arm Shaft Bushing Oil Packing (wick)
200100E	13811	Arm Shaft Bushing Screw (4)
232003	13858	" " Hand Wheel with two 200341c
200341c	13858	Arm Shaft Hand Wheel Set Screw
150D	13858	" " Screw
250002	13812	" Side Cover
200110D	13811	" " " Screw (2)
*253602	---	Bed with 250078, 253683, 255509, 255511, 255512, two each 127D, 40025 and eight 1094e
250009	---	Bed End Cover
232025	13811	" " " Catch (2)
232026	13811	" " " " Position Pin (2)
250010	13811	Bed End Cover Catch Releaser (2)
204264	13811	" " " " " Stop Pin (2)
200047D	13811	Bed End Cover Catch Screw (2) ..
201531E	13956	" " " " " Nut (2)
250011	13811	" " " Support (left)
250012	13811	" " " " (right)
457c	13811	" " " " Set Screw (2)
250013	---	" Extension
250397	13811	" " Position Pin (2)
134D	13811	" " Screw (4)
250014	13858	" Shaft
255521	13932	" " Bevel Gear with two 453c
232719	13858	" " " " Position Pin (2)
453c	13849	Bed Shaft Bevel Gear Set Screw ..
232030	13812	" " Bushing (back) with 202260
202260	---	Bed Shaft Bushing (back) Oil Packing (wick)
232821	13811	Bed Shaft Bushing (back) Oil Tube (brass)
230795	13811	Bed Shaft Bushing (back) Oil Tube Pin

No.	Plate	Name
200100E	13811	Bed Shaft Bushing (back) Screw (2)
250015	13812	Bed Shaft Bushing (front)
255527	13932	" " " " Oil Tube (brass)
250451	13956	Bed Shaft Bushing (front) Oil Tube Bracket
330D	13956	Bed Shaft Bushing (front) Oil Tube Bracket Screw
232244	13811	Bed Shaft Bushing (front) Position Pin
200100E	13811	Bed Shaft Bushing (front) Screw (2)
250017	13858	Bed Shaft Collar with two 1258E (2)
1258E	13858	" " " Set Screw
232725	13811	Belt Guard
9D	13811	" " Screw
253697	13956	Buttonhole Cutting Block (steel), 5/8 in. (taper bar)
350411c	13883	Buttonhole Cutting Block Pinch Screw
250468	13883	Buttonhole Cutting Block Pinch Screw Washer
1281E	13883	Buttonhole Cutting Block Stop Screw
250020	13818	Buttonhole Cutting Carrier Cam with 200364c
40025	13834	Buttonhole Cutting Carrier Cam Position Pin
200364c	13883	Buttonhole Cutting Carrier Cam Set Screw
250021	13818	Buttonhole Cutting Carrier Lever with 990D, 201366c, 201524E and 201892
50031c	13883	Buttonhole Cutting Carrier Lever Adjusting Screw Stud
201711c	13956	Buttonhole Cutting Carrier Lever Adjusting Screw Stud Nut
39541	13864	Buttonhole Cutting Carrier Lever Adjusting Screw Stud Nut Washer
250022	13883	Buttonhole Cutting Carrier Lever Adjusting Screw Stud Sleeve ...
201892	13883	Buttonhole Cutting Carrier Lever Roller
990D	13883	Buttonhole Cutting Carrier Lever Roller Cap Screw
201366c	13883	Buttonhole Cutting Carrier Lever Roller Screw Stud
201524E	13883	Buttonhole Cutting Carrier Lever Roller Screw Stud Nut

No.	Plate	Name
232038	13883	Buttonhole Cutting Carrier Lever Slide Block
250023	13956	Buttonhole Cutting Disengaging Lever
350233c	13956	Buttonhole Cutting Disengaging Lever Hinge Screw
203213	13936	Buttonhole Cutting Disengaging Lever Spring
250592	13956	Buttonhole Cutting Disengaging Push Rod
2273	13956	Buttonhole Cutting Disengaging Push Rod Pin
250290	13818	Buttonhole Cutting Driving Wheel with 446E
232043	13883	Buttonhole Cutting Driving Wheel Lock
232044	13883	Buttonhole Cutting Driving Wheel Lock Spring
200051E	13883	Buttonhole Cutting Driving Wheel Lock Spring Screw
228026	13883	Buttonhole Cutting Driving Wheel Lock Spring Screw Washer
232724	13883	Buttonhole Cutting Driving Wheel Lock Stop Plate
1094E	13883	Buttonhole Cutting Driving Wheel Lock Stop Plate Screw
232150	13883	Buttonhole Cutting Driving Wheel Position Pin
446E	13883	Buttonhole Cutting Driving Wheel Set Screw
253516	—	Buttonhole Cutting Knife (100 x .157 eye)
250027	13883	Buttonhole Cutting Knife Adjusting Block
1100E	13883	Buttonhole Cutting Knife Adjusting Block Screw
250474	13883	Buttonhole Cutting Knife Base Plate
201474E	13883	Buttonhole Cutting Knife Base Plate Adjusting Screw (2)
1454E	13883	Buttonhole Cutting Knife Base Plate Screw
250475	13883	Buttonhole Cutting Knife Clamping Lever
350114c	13883	Buttonhole Cutting Knife Clamping Lever Hinge Screw
250030	13885	Buttonhole Cutting Knife Clamping Plate

No.	Plate	Name
250031	—	Buttonhole Cutting Lever (lower)
251267	13957	" " " 250031 with 251269 and 251270
250032	13958	Buttonhole Cutting Lever (lower) Cam with 453c
40025	13834	Buttonhole Cutting Lever (lower) Cam Position Pin
453c	13849	Buttonhole Cutting Lever (lower) Cam Set Screw
253608	—	Buttonhole Cutting Lever (upper) with 232482, 250468, 350111c and two 232483
251271	13958	Buttonhole Cutting Lever (upper) Cam with 453c
40025	13834	Buttonhole Cutting Lever (upper) Cam Position Pin
453c	13849	Buttonhole Cutting Lever (upper) Cam Set Screw
250464	13957	Buttonhole Cutting Lever Bracket with 200089d
250465	13957	Buttonhole Cutting Lever Bracket Arm
50027E	13885	Buttonhole Cutting Lever Bracket Arm Screw
250036	13885	Buttonhole Cutting Lever Bracket Gib (left)
250037	13885	Buttonhole Cutting Lever Bracket Gib (right)
232380	13885	Buttonhole Cutting Lever Bracket Gib Adjusting Plate (2)
219E	13856	Buttonhole Cutting Lever Bracket Gib Adjusting Plate Screw (4) ..
206482	13885	Buttonhole Cutting Lever Bracket Gib Adjusting Plate Screw Wash- er (1)
201176E	13901	Buttonhole Cutting Lever Bracket Gib Screw (6)
250530	—	Buttonhole Cutting Lever Bracket complete, Nos. 250464, 250465 and two 50027E
250038	13885	Buttonhole Cutting Lever Hinge Stud
200089d	13885	Buttonhole Cutting Lever Hinge Stud Set Screw
251268	13885	Buttonhole Cutting Lever Spring
251269	13885	" " " " Bracket (lower)
251270	13885	Buttonhole Cutting Lever Spring Bracket (lower) Pin

No.	Plate	Name
232482	13885	Buttonhole Cutting Lever Spring Bracket (upper)
232483	13885	Buttonhole Cutting Lever Spring Bracket (upper) Pin
250039	13816	Buttonhole Cutting Pressure Wedge with 232056
*201155D	—	Buttonhole Cutting Pressure Wedge Adjusting Screw
250538	—	Buttonhole Cutting Pressure Wedge Adjusting Screw 201155D with 2273, 201672E, 232054 and 232055
232054	13816	Buttonhole Cutting Pressure Wedge Adjusting Screw Collar
232055	13816	Buttonhole Cutting Pressure Wedge Adjusting Screw Collar Position Pin
232466	13816	Buttonhole Cutting Pressure Wedge Adjusting Screw Collar Lock Spring
662D	13816	Buttonhole Cutting Pressure Wedge Adjusting Screw Lock Spring Screw
201672E	13816	Buttonhole Cutting Pressure Wedge Adjusting Screw Nut
2273	13956	Buttonhole Cutting Pressure Wedge Adjusting Screw Nut Pin
232056	13816	Buttonhole Cutting Pressure Wedge Boss
232057	13816	Buttonhole Cutting Pressure Wedge Post with 662D and 232466
200122H	13816	Buttonhole Cutting Pressure Wedge Post Screw
250040	13957	Buttonhole Cutting Shaft
232383	13957	" " " Hand Crank with 201484c
201468H	13816	Buttonhole Cutting Shaft Hand Crank Cap Screw
201484c	13816	Buttonhole Cutting Shaft Hand Crank Position Screw
203172	13956	Buttonhole Cutting Shaft Hand Crank Washer
255019	—	Buttonhole Cutting Shaft Pulley (loose) with 255021, two each 172D, 210750 and eight 232817 ..
232513	13816	Buttonhole Cutting Shaft Pulley Bushing
232817	13816	Buttonhole Cutting Shaft Pulley Stud

No.	Plate	Name
255020	13933	Buttonhole Cutting Shaft Pulley complete, Nos. 255019, two each 255022, 255023 and 350198F
250042	13957	Buttonhole Cutting Starting Lever with 201085c
232718	13958	Buttonhole Cutting Starting Lever Hinge Stud
200530c	13816	Buttonhole Cutting Starting Lever Hinge Stud Set Screw
232064	13816	Buttonhole Cutting Starting Lever Latch
350148D	13956	Buttonhole Cutting Starting Lever Latch Hinge Screw
201531E	13956	Buttonhole Cutting Starting Lever Latch Hinge Screw Nut
232065	13816	Buttonhole Cutting Starting Lever Latch Spring
201218E	13816	Buttonhole Cutting Starting Lever Latch Spring Screw Stud (2) ..
200E	13816	Buttonhole Cutting Starting Lever Latch Stop Screw
250043	13817	Buttonhole Cutting Starting Lever Plate
200577H	13864	Buttonhole Cutting Starting Lever Plate Screw (2)
201085c	13817	Buttonhole Cutting Starting Lever Restoring Screw Stud
250456	13817	Buttonhole Cutting Starting Lever Safety Plate
208E	13851	Buttonhole Cutting Starting Lever Safety Plate Screw (2)
250044	13817	Buttonhole Cutting Starting Lever Spring
350105E	13816	Buttonhole Cutting Starting Lever Spring Screw Stud
250045	13817	Buttonhole Cutting Trip Lever with 460c
250046	13817	Buttonhole Cutting Trip Lever Bracket
232154	13817	Buttonhole Cutting Trip Lever Bracket Position Pin (2)
161D	13817	Buttonhole Cutting Trip Lever Bracket Screw (2)
2049	13817	Buttonhole Cutting Trip Lever Position Pin
250047	13817	Buttonhole Cutting Trip Lever Safety Lever with 237E
232343	13847	Buttonhole Cutting Trip Lever Safety Lever Position Pin

No.	Plate	Name
237F	13860	Buttonhole Cutting Trip Lever Safety Lever Set Screw
460C	13817	Buttonhole Cutting Trip Lever Set Screw
253684	13956	Buttonhole Cutting Trip Lever Shaft
253685	13956	Buttonhole Cutting Trip Lever Spring
201432C	13817	Buttonhole Cutting Trip Screw Stud
1521E	13817	" " " " " Nut
255062	13959	Buttonhole Cutting Trip Screw Stud Shim (.010 in. thick)
255063	13959	Buttonhole Cutting Trip Screw Stud Shim (.025 in. thick)
253701	13959	Cord Leader
253535	13932	" " Collar with 237F
237F	13860	" " " Set Screw
253609	13959	" Nipper
253610	13959	" " Arm with 201984
205592	13959	" " " Position Pin
203E	13849	" " " Screw
253611	13959	" " Bracket
232310	13959	" " " Position Pin
190D	13900	" " " Screw (2)
350212E	13959	" " Hinge Screw
201883	----	" " Roller
201984	----	" " " 201883 with 201235C
201235C	13959	" " " Screw Stud
253612	13959	" " Spring
665D	13959	" " " Screw
253729	13959	" Tension Spring
253614	13959	" " " Bracket
203E	13849	" " " Screw
590E	13959	" " " Screw (2)
250050	13834	Driving Wheel (loose)
232110	13834	" " with 200395C and two 232113
232112	13834	Driving Wheel Friction Gib
232113	13834	" " " " Position Pin
8873	13959	Driving Wheel Position Pin
200395C	13959	" " Set Screw
251024	13932	" " Stop Cam
251025	13932	" " " " Position Collar with 1036C
1036C	13959	Driving Wheel Stop Cam Position Collar Set Screw

No.	Plate	Name
250417	13864	Driving Wheel Stop Cam Spring
200096D	13864	" " " " " Position Screw
232520	13812	Face Plate
641D	13811	" " Screw (2)
232521	13898	Feed Adjusting Gear
250052	13898	" " " Bracket
250053	13898	" " " " Clamp- ing Post
690D	13862	Feed Adjusting Gear Bracket Clamping Post Screw (2)
350113C	13959	Feed Adjusting Gear Bracket Clamping Screw
250473	13859	Feed Adjusting Gear Bracket Clamping Screw Washer
201428C	13959	Feed Adjusting Gear Screw Stud ..
1518J	13899	" " " " " Nut
250704	13958	" Driving Gear (intermediate) with 457C
232721	13899	Feed Driving Gear (intermediate) Position Pin
457C	13811	Feed Driving Gear (intermediate) Set Screw
250055	13899	Feed Driving Gear (intermediate) Shaft
252601	13957	Feed Wheel with three 232382
250057	13825	" " Driving Pawl (3)
201385C	13825	" " " " Hinge Screw (3)
250058	13825	Feed Wheel Driving Pawl Spring (3)
232382	13825	Feed Wheel Driving Pawl Spring Pin
1449D	13825	Feed Wheel Driving Pawl Spring Screw (3)
350071E	13825	Feed Wheel Friction Ring Adjust- ing Screw
201522E	13825	Feed Wheel Friction Ring Adjust- ing Screw Lock Nut
232131	13825	Feed Wheel Friction Ring Adjust- ing Screw Washer (2)
250059	13958	Feed Wheel Friction Ring Bracket
200070C	13825	" " " " " Screw (2)
250060	13893	Feed Wheel Friction Ring Section (long)
250061	13893	Feed Wheel Friction Ring Section (short)

No.	Plate	Name
232135	13825	Feed Wheel Friction Ring Spring..
232532	13957	" " Ring
250062	13825	" " " " Gib (3)
209F	13825	" " " " Screw (6) ..
201362C	13825	" " Screw Stud
250418	13909	Finger Starting Lever with 250435 and 250436
250419	13909	Finger Starting Lever Hinge Block
350080D	13909	" " " " "
		Hinge Screw
250420	13909	Finger Starting Lever (intermedi- ate)
255080	13959	Finger Starting Lever (intermedi- ate) Bracket with 208E and 991E
208E	13851	Finger Starting Lever (intermedi- ate) Bracket Pinch Screw
158E	13909	Finger Starting Lever (intermedi- ate) Bracket Screw
72D	13856	Finger Starting Lever (intermedi- ate) Hinge Screw
646F	13909	Finger Starting Lever (intermedi- ate) Operating Stud
251292	13959	Finger Starting Lever (intermedi- ate) Operating Stud Collar with 646F
2273	13956	Finger Starting Lever (intermedi- ate) Operating Stud Collar Posi- tion Pin
200097C	13909	Finger Starting Lever Screw
228026	13883	" " " " Washer
251518	13959	" " " Spring
250435	13909	" " " Stud (back)..
250436	13909	" " " " (front)..
232539	13899	Intermittent Feed Driving Wheel with two 465C
*250395	---	Intermittent Feed Driving Wheel Bracket
232244	13811	Intermittent Feed Driving Wheel Bracket Position Pin (2)
129E	13899	Intermittent Feed Driving Wheel Bracket Screw (4)
250589	13961	Intermittent Feed Driving Wheel Driving Stud
204648	13899	Intermittent Feed Driving Wheel Driving Stud Position Pin
232541	13899	Intermittent Feed Driving Wheel Position Pin
465C	13899	Intermittent Feed Driving Wheel Set Screw

No.	Plate	Name
232542	13899	Intermittent Feed Driving Wheel Shaft
250705	13961	Intermittent Feed Driving Wheel Shaft Gear with 465C
232721	13899	Intermittent Feed Driving Wheel Shaft Gear Position Pin
465C	13899	Intermittent Feed Driving Wheel Shaft Gear Set Screw
253615	13961	Loop Retainer (left)
250065	13900	" " " Carrier
251153	13900	" " (right)
250067	13900	" " " Carrier
250068	13900	" " Adjusting Block (2)..
255055	13958	" " Cam with 350223E ...
40025	13834	" " " Position Pin ...
350223E	13956	" " " Set Screw
250070	13900	" " Carrier Link (2)
201431C	13900	" " " " Screw (4)
250071	13900	" " " Shaft
735E	13862	" " " " Set Screw
250073	13900	" " Driving Bar
250410	13900	" " " Collar with 200130F
200130F	13961	Loop Retainer Driving Bar Collar Pinch Screw
185H	13900	Loop Retainer Screw (2)
250491	13961	" " " Washer (2) ..
250074	13900	" " Shim (.005 in. thick)..
250449	13900	" " (.010 in. thick)..
250450	13900	" " (.020 in. thick)..
250537	13900	" " (.030 in. thick)..
250075	13958	" " Slide with 201943 ...
250076	13900	" " " Gib (lower) (2)..
250077	13900	" " " " (upper) (2)..
190D	13900	" " " " Screw (6) ..
*250078	---	" " " Guide Extension
40025	13834	" " " " "
		Position Pin
127D	13900	Loop Retainer Slide Guide Exten- sion Screw
201896	13900	Loop Retainer Slide Roller
201943	---	" " " " 201896 with 250429
250429	13900	Loop Retainer Slide Roller Stud ..
253472	13961	Looper (non threaded)
250080	13901	" (threaded)
253617	13958	" Bracket with 735E
201658C	13901	" " Adjusting Nut
201659C	13901	" " " " Lock- ing Nut

No.	Plate	Name
253618	13966	Looper Bracket Chip Guard
401D	13901	" " " " Screw (3)
23421	---	Looper Bracket Dogging Hole Plug (leather)
232555	13862	Looper Bracket Rotating Gear with 906E
250084	13862	Looper Bracket Rotating Gear Posi- tion Pin
906E	13862	Looper Bracket Rotating Gear Set Screw
250085	13901	Looper Carrier
250086	13901	" " Link
201099c	13901	" " " Hinge Screw (2)
250087	13901	" Driving Bar
250088	13901	" " Connection with 1120c, 250471 and two 233D
250471	13901	Looper Driving Connection Plate
233D	13901	" " " " " Screw
1120c	13901	Looper Driving Connection Set Screw
250089	13901	Looper Driving Connection Slide Rod
250090	13901	Looper Driving Connection Slide Rod Bushing (lower)
250091	13901	Looper Driving Connection Slide Rod Bushing (upper)
250092	13901	Looper Driving Crank
250446	13901	" " " Bushing
201176E	13901	" " " " Screw (2)
250094	13901	Looper Driving Crank Gear with 735E
250095	13901	Looper Driving Crank Gear Posi- tion Pin
735E	13862	Looper Driving Crank Gear Set Screw
250096	13901	Looper Driving Crank Link
199c	13901	" " " " Cap Screw
359278c	13961	Looper Driving Crank Link Hinge Screw
250097	13839	Looper Driving Disc
255035	---	" " " 250097 with 201435c and 201704E

No.	Plate	Name
201435c	13839	Looper Driving Disc Screw Stud ...
201704E	13839	" " " " " Nut
250098	13839	" " Gear
176D	13839	" " " Screw (3)
201898	13839	" " Roller
201953	---	" " " 201898 with 201144E and 250099 (2)
201144E	13825	Looper Driving Roller Cap Screw...
250099	13839	" " " Stud
*253619	---	" Frame
250462	13840	" " Chip Guard
232866	13840	" " Position Pin (2)
201082E	13840	" " Screw (3)
190E	13900	" Screw (2)
250101	13840	" " Washer (2)
232270	13840	" Thread and Cord Clamping Spring (long)
232271	13840	Looper Thread and Cord Clamping Spring (short)
200186B	13840	Looper Thread and Cord Clamping Spring Screw
232272	13840	Looper Thread and Cord Cutter....
200186B	13840	" " " " " Screw
250425	13840	" " Controlling Cam
236D	13840	" " " " Screw (2)
250426	13840	Looper Thread Controlling Lever with 201979
250427	13840	Looper Thread Controlling Lever Bracket
183E	13840	Looper Thread Controlling Lever Bracket Screw (2)
50061c	13840	Looper Thread Controlling Lever Hinge Screw
201979	13961	Looper Thread Controlling Lever Roller and Stud
250428	13840	Looper Thread Controlling Lever Spring
1120c	13901	Looper Thread Controlling Lever Spring Screw
18859	13840	Looper Thread Guide
250102	13840	" " Leader
1423E	13840	" " " Screw
253620	13961	" " Pull-off
253621	13958	" " " Cam Plate and Cord Guide
202E	13934	Looper Thread Pull-off Cam Plate and Cord Guide Screw (2)

No.	Plate	Name
1550j	13891	Looper Thread Pull-off Cam Plate and Cord Guide Screw Nut (2) ..
68D	13961	Looper Thread Pull-off Hinge Screw
253622	13961	" " " Pawl
1449H	13825	" " " " Hinge Screw
253623	13961	Looper Thread Pull-off Pawl Spring
253624	13961	" " " Spring
253625	13961	" " " Stop
203E	13849	" " " " Screw ..
32012	13902	" " Tension Disc (2) ...
253530	13961	" " " Releaser
253531	13932	" " " " Lever
350224D	13934	" " " " " Hinge Screw
253532	13933	Looper Thread Tension Releaser Lever Rod
253535	13932	Looper Thread Tension Releaser Lever Rod Collar with 237F (2)
237F	13860	Looper Thread Tension Releaser Lever Rod Collar Set Screw
251170	13856	Looper Thread Tension Releaser Lever Spring
1550J	13891	Looper Thread Tension Releaser Nut
7071	13856	Looper Thread Tension Releaser Nut Washer
253534	13932	Looper Thread Tension Releaser Operating Cam Block with 219F ..
219F	13856	Looper Thread Tension Releaser Operating Cam Block Set Screw
253533	13932	Looper Thread Tension Releaser Operating Lever with 237F
237F	13860	Looper Thread Tension Releaser Operating Lever Set Screw
232515	13902	Looper Thread Tension Spring ...
1043C	13902	" " " Stud
171D	13902	" " " " Set Screw
1560C	13902	" " " Thumb Nut.
232516	13902	" " Tube (brass)
232517	13902	" " " Bracket (2) ...
190D	13900	" " " " Screw (2)
32012	13902	Lower Cord Tension Disc (2)
232515	13902	" " " Spring
637C	13934	" " " Stud
1560C	13902	" " " Thumb Nut ...

No.	Plate	Name
232516	13902	Lower Cord Tube
250451	13956	" " " Bracket (2)
250105	13903	Needle Bar Driving Crank with 200394c and two 200382c
40025	13834	Needle Bar Driving Crank Position Pin
200394c	13903	Needle Bar Driving Crank Set Screw
250106	13903	Needle Driving Bar
232177	13903	" " " Bushing
232176	13903	" " " Collar with 200083E
200083E	13847	Needle Driving Bar Collar Pinch Screw
232178	13903	Needle Driving Bar Link
232709	13903	" " " " Hinge Stud with 222598
222598	---	Needle Driving Bar Link Hinge Stud Oil Packing (wick)
200382c	13903	Needle Driving Bar Link Hinge Stud Set Screw
250108	13903	Needle Driving Bar Swivel with 210933
210933	---	Needle Driving Bar Swivel Oil Packing (wick)
255072	13934	Needle Guard
255073	13934	" " Support
230E	13934	" " Screw
233D	13901	" " " (support end) ..
251214	13903	" Holder with 904F
250111	13961	" " Gauge Plate
201482D	13903	" " " " Adjusting Screw
250112	13903	Needle Holder Gauge Plate Block
201670C	13903	" " " " " Adjusting Nut
201670C	13903	Needle Holder Gauge Plate Block Adjusting Nut Lock Nut
200124H	13903	Needle Holder Gauge Plate Screw (2)
208E	13851	Needle Holder Screw
255074	13961	" " Slide
250114	13903	" " " Lever with 255056
201434C	13903	" " " " Hinge Screw
255056	13934	" " " " Pin
250115	13903	" " " " Stud
208E	13851	" " " " " Screw
250116	13903	" " " " " Washer

No.	Plate	Name
251155	13903	Needle Holder Slide Spring
201225c	13903	" " " Stud
253627	13961	" " " Thread Tension
253628	13961	" " " " " "
		Guard
233E	13901	Needle Holder Slide Thread Ten- sion Screw
250117	13862	Needle Rotating Gear with 735E ..
250118	13862	" " " Key
735E	13862	" " " Set Screw..
904F	13903	" Set Screw
253629	13934	" Thread Controller
1520J	13856	" " " Nut
255004	13934	" " " Spring
255005	—	" " " " Bracket with 171E
255067	13934	Needle Thread Controller Spring Bracket 255005 with 231c, 252081, 255004, 255006 and 255007
18587	13934	Needle Thread Controller Spring Bracket Position Pin
202F	13934	Needle Thread Controller Spring Bracket Screw
255006	13934	Needle Thread Controller Spring Stop
231c	13893	Needle Thread Controller Spring Stop Adjusting Screw
252081	13934	Needle Thread Controller Spring Stud
171E	13902	Needle Thread Controller Spring Stud Set Screw
255007	13934	Needle Thread Controller Spring Thread Guide
253694	13962	Needle Thread End Removing Fin- ger
253695	13962	Needle Thread End Removing Fin- ger Bracket
253696	—	Needle Thread End Removing Fin- ger Bracket 253695 with 253634 and 253694
219D	13856	Needle Thread End Removing Fin- ger Bracket Screw
253632	13962	Needle Thread End Removing Fin- ger Cam Plate (adjustable)
190D	13900	Needle Thread End Removing Fin- ger Cam Plate (adjustable) Screw (2)
7071	13856	Needle Thread End Removing Fin- ger Cam Plate (adjustable) Screw Washer (2)

No.	Plate	Name
253633	13962	Needle Thread End Removing Fin- ger Cam Plate (stationary)
164D	13962	Needle Thread End Removing Fin- ger Cam Plate (stationary) Screw (2)
253634	13962	Needle Thread End Removing Fin- ger Hinge Pin
253635	13962	Needle Thread End Removing Fin- ger Opening Lever
253636	13962	Needle Thread End Removing Fin- ger Opening Lever Crank with 735c
2273	13956	Needle Thread End Removing Fin- ger Opening Lever Crank Posi- tion Pin
735c	13862	Needle Thread End Removing Fin- ger Opening Lever Crank Set Screw
253637	13962	Needle Thread End Removing Fin- ger Opening Lever Spring
232348	13962	Needle Thread End Removing Fin- ger Opening Lever Stop Pin
253638	13962	Needle Thread End Removing Fin- ger Spring
10145	13934	Needle Thread Guide
250119	13934	" " "
232792	13932	" " Leader
1664J	13934	" " " Nut
253639	13962	" " Pull-off Bell Crank
350222c	13961	" " " " " " Hinge Screw
1520J	13856	Needle Thread Pull-off Bell Crank Hinge Screw Nut
201896	13900	Needle Thread Pull-off Bell Crank Roller
201978	13961	Needle Thread Pull-off Bell Crank Roller 201896 with 201429c
201429c	13961	Needle Thread Pull-off Bell Crank Roller Screw Stud
253640	13961	Needle Thread Pull-off Bell Crank Spring
253702	13961	Needle Thread Pull-off Bell Crank Stop Pin
253641	13958	Needle Thread Pull-off Bracket with 253702 and two 453c
453c	13849	Needle Thread Pull-off Bracket Set Screw

No.	Plate	Name
253642	13961	Needle Thread Pull-off Finger
227F	13961	" " " " Screw
10106	13934	" " Retainer Disc
39713	13934	" " " Spring
996E	13934	" " " " Screw Stud
252082	13934	Needle Thread Retainer Tension Disc
252083	13932	Needle Thread Tension Bracket
159D	13934	" " " " " Screw (2)
32012	13902	Needle Thread Tension Disc (2) ..
154E	13936	" " " Releasing Ad- justing Screw
1550J	13891	Needle Thread Tension Releasing Adjusting Screw Nut
255329	13962	Needle Thread Tension Releasing Block with 200E
200E	13816	Needle Thread Tension Releasing Block Set Screw
240D	13936	Needle Thread Tension Releasing Block Stop Screw
32572	---	Needle Thread Tension Releasing Disc
255009	13933	Needle Thread Tension Releasing Lever
255010	13933	Needle Thread Tension Releasing Lever Bracket
200346C	13936	Needle Thread Tension Releasing Lever Bracket Adjusting Screw ..
145E	13849	Needle Thread Tension Releasing Lever Bracket Screw (lower) ..
200062H	13936	Needle Thread Tension Releasing Lever Bracket Screw (upper) ..
35D	13956	Needle Thread Tension Releasing Lever Hinge Screw
255011	13936	Needle Thread Tension Releasing Lever Spring
39635	13936	Needle Thread Tension Releasing Pin
255013	13935	Needle Thread Tension Releasing Rod
255014	13936	Needle Thread Tension Releasing Rod Bracket
190D	13900	Needle Thread Tension Releasing Rod Bracket Screw (2)
255015	13936	Needle Thread Tension Releasing Rod Plate
792E	13936	Needle Thread Tension Releasing Rod Plate Screw (2)

No.	Plate	Name
208E	13851	Needle Thread Tension Releasing Rod Screw
13710	13962	Needle Thread Tension Spring
1388C	13962	" " " Stud
1560C	13902	" " " Thumb Nut.
250140	13848	" Vibrating Adjusting Link
741C	13847	" " " " Hinge Screw
350076C	13847	Needle Vibrating Adjusting Stud
1671C	13847	" " " " Nut
39532	13847	Needle Vibrating Adjusting Stud Sleeve
250141	13848	Needle Vibrating Bell Crank
250142	13848	" " " " Con- nection
*38444	---	Needle Vibrating Bell Crank Con- nection End Bearing (back)
38146	13847	Needle Vibrating Bell Crank Con- nection End Bearing 38444 with 42524, 50016C and two 175E
50016C	13847	Needle Vibrating Bell Crank Con- nection End Bearing (back) Ball Screw Stud
1636E	13847	Needle Vibrating Bell Crank Con- nection End Bearing (back) Ball Screw Stud Nut
*42524	---	Needle Vibrating Bell Crank Con- nection End Bearing (back) Cap
175E	13849	Needle Vibrating Bell Crank Con- nection End Bearing (back) Cap Screw
1698C	13847	Needle Vibrating Bell Crank Con- nection End Bearing (back) Check Nut
*38443	---	Needle Vibrating Bell Crank Con- nection End Bearing (front) ...
250143	13847	Needle Vibrating Bell Crank Con- nection End Bearing 38443 with 42525, 201449C and two 175E
201449C	13847	Needle Vibrating Bell Crank Con- nection End Bearing (front) Ball Screw
*42525	---	Needle Vibrating Bell Crank Con- nection End Bearing (front) Cap
175E	13849	Needle Vibrating Bell Crank Con- nection End Bearing (front) Cap Screw

No.	Plate	Name
1697C	13847	Needle Vibrating Bell Crank Connection End Bearing (front) Check Nut
45C	13847	Needle Vibrating Bell Crank Hinge Screw
250144	13848	Needle Vibrating Lever
255034	13936	" " " Hinge Stud
443C	13936	" " " " " Set Screw
232420	13848	Needle Vibrating Ring with 462C ..
232421	13847	" " " Guide Stud
200083E	13847	" " " " " Set Screw
232343	13847	Needle Vibrating Ring Position Pin
462C	13847	" " " Set Screw ..
250145	13848	" " Rod
250146	13848	" " " Guide with 1230C
232343	13847	" " " " Position Pin
1230E	13851	" " " " Set Screw
250147	13847	" " Switch
200308C	13847	" " " Hinge Screw.
253731	—	Pattern Wheel, for $\frac{5}{8}$ in. Taper Bar (medium eye) Buttonhole, bar adjustable from $\frac{1}{4}$ to $\frac{3}{8}$ inch
201668E	13849	Pattern Wheel Clamping Nut
250148	13849	" " Position Stud
250372	13849	" " Rapid Feed Trip Point
203E	13849	Pattern Wheel Rapid Feed Trip Point Screw
250617	13963	Pattern Wheel Ring
253692	—	" " " 250617 with 252663, 253690, two each 211E and 250444
253690	13964	Pattern Wheel Ring Adjusting Segment (curved rise)
252663	13964	Pattern Wheel Ring Adjusting Segment (straight drop)
211E	13849	Pattern Wheel Ring Adjusting Segment Screw
250444	13849	Pattern Wheel Ring Adjusting Segment Screw Washer
391D	13849	Pattern Wheel Ring Screw
253732	—	Pattern Wheel, for $\frac{5}{8}$ in. Taper Bar (medium eye) Buttonhole, bar adjustable from $\frac{1}{4}$ to $\frac{3}{8}$ in., complete. Nos. 253692, 253731, two each 203E, 250372 and three 391D

No.	Plate	Name
250149	13963	Pattern Wheel Shaft with 250148 ..
253645	13963	" " " Bevel Gear with 168D, 253656, 253657, three 253658 and four 1454E
40025	13834	Pattern Wheel Shaft Bevel Gear Position Pin
168D	13849	Pattern Wheel Shaft Bevel Gear Set Screw
250151	13963	Pattern Wheel Shaft Bushing (left)
145E	13849	" " " " " Screw (2)
250152	13963	Pattern Wheel Shaft Bushing (right)
647E	13849	Pattern Wheel Shaft Bushing (right) Screw (2)
232600	13849	Pattern Wheel Shaft Collar with two 453C
453C	13849	Pattern Wheel Shaft Collar Set Screw
250154	13851	Rapid Feed Clutch Disengaging Lever (3)
253481	13935	Rapid Feed Clutch Disengaging Sleeve
250156	13851	Rapid Feed Clutch Driving Disc
1230C	13851	" " " " " Screw (4)
201897	13851	Rapid Feed Clutch Roller (3)
255095	13932	" " " " " Carrier with 624E
40025	13834	Rapid Feed Clutch Roller Carrier Position Pin
624E	13851	Rapid Feed Clutch Roller Carrier Set Screw
250153	13851	Rapid Feed Clutch Roller Retainer (3)
208E	13851	Rapid Feed Clutch Roller Retainer Screw (3)
255096	13936	Rapid Feed Clutch Roller Spring (3)
255097	13936	Rapid Feed Clutch Roller Spring Guide Pin (3)
250158	13851	Rapid Feed Crank Shaft
250159	13851	" " " " " Bushing (back)
250160	13851	Rapid Feed Crank Shaft Bushing (back) Oil Tube (lower) (brass)
250495	13851	Rapid Feed Crank Shaft Bushing (back) Oil Tube (upper) (brass)
250161	13851	Rapid Feed Crank Shaft Bushing (front)

No.	Plate	Name
436c	13851	Rapid Feed Crank Shaft Bushing Set Screw (2)
232600	13849	Rapid Feed Crank Shaft Collar with two 453c
453c	13849	Rapid Feed Crank Shaft Collar Set Screw
250452	13852	Rapid Feed Crank Shaft Gear with 458c
232719	13858	Rapid Feed Crank Shaft Gear Position Pin
458c	13962	Rapid Feed Crank Shaft Gear Set Screw
202244	—	Rapid Feed Crank Shaft Oil Packing (wick) (2)
250163	13852	Rapid Feed Driving Gear
250398	13854	" " " " Key
250164	13852	" " Gear Guard
641D	13811	" " " " Screw (2)
250534	13852	" " Intermediate Gear (bronze)
201447c	13962	Rapid Feed Intermediate Gear Screw Stud
1510E	13962	Rapid Feed Intermediate Gear Screw Stud Nut
250167	13852	Rapid Feed Intermediate Gear Screw Stud Nut Washer
250405	13964	Rapid Feed Intermediate Gear Screw Stud Washer
253536	13935	Rapid Feed Pawl Bell Crank with 202299
11c	13864	Rapid Feed Pawl Bell Crank Hinge Screw
202299	—	Rapid Feed Pawl Bell Crank Oil Packing (wick)
250171	13964	Rapid Feed Pawl Bell Crank Slide Block Section (2)
250172	13964	Rapid Feed Pawl Guide
181D	13964	" " " " Screw (2)
350260c	13936	" " " " Hinge Screw
1655E	13936	" " " " Nut
252266	13935	" " Slide Bar
250174	13852	" " " " Bushing (left)
145E	13849	" " " " " " Screw (2)
250175	13852	Rapid Feed Slide Bar Bushing (right)
647E	13849	Rapid Feed Slide Bar Bushing (right) Screw (2)
252269	13936	Rapid Feed Slide Bar Collar with 448c

No.	Plate	Name
40025	13834	Rapid Feed Slide Bar Collar Position Pin
448c	13874	Rapid Feed Slide Bar Collar Set Screw
252267	13935	Rapid Feed Slide Bar Fork Connection with 889c
253538	13936	Rapid Feed Slide Bar Fork Connection Extension Plate
176D	13839	Rapid Feed Slide Bar Fork Connection Extension Plate Screw
200603E	13964	Rapid Feed Slide Bar Fork Connection Position Screw
201448c	13854	Rapid Feed Slide Bar Fork Connection Screw Stud
889c	13964	Rapid Feed Slide Bar Fork Connection Set Screw
252306	13935	Rapid Feed Slide Bar Lock
252271	13936	" " " " " " Block
232055	13816	" " " " " " Position Pin
704E	13964	Rapid Feed Slide Bar Lock Block Screw
350262E	13936	Rapid Feed Slide Bar Lock Hinge Screw
250409	13854	Rapid Feed Slide Bar Lock Spring
1241E	13891	" " " " " " Screw Eye
250194	13856	Rapid Feed Slide Bar Lock Trip
56c	13825	" " " " " " Hinge Screw
252273	13936	Rapid Feed Slide Bar Spring
350293E	13936	" " " " " " Cap Screw
252274	13936	Rapid Feed Slide Bar Spring Washer
250180	13854	Rapid Feed Starting Latch
199c	13901	" " " " " " Cap Screw
201446c	13856	" " " " " " Hinge Screw Stud
250181	13854	Rapid Feed Starting Lever with 1454E
255053	13935	Rapid Feed Starting Lever (operated by stop motion) with 704c, 1454E, 203213 and 255054
255064	—	Rapid Feed Starting Lever Latch
350256c	13964	" " " " " " Hinge Screw
255092	13964	Rapid Feed Starting Lever Latch Spring

No.	Plate	Name
253512	13964	Rapid Feed Starting Lever Latch Stop Washer
193D	13862	Rapid Feed Starting Lever Latch Stop Washer Screw
1330c	13854	Rapid Feed Starting Lever Operat- ing Screw Stud
201445E	13854	Rapid Feed Starting Lever Posi- tion Screw
1454E	13883	Rapid Feed Starting Lever Set Screw
250185	13960	Rapid Feed Starting Lever Shaft
250186	13854	" " " " "
		Collar (left) with 200113F
204197	13854	Rapid Feed Starting Lever Shaft Collar (right) with 200113F
200113F	13854	Rapid Feed Starting Lever Shaft Collar Set Screw
250409	13854	Rapid Feed Starting Lever Spring
217E	13864	" " " " "
		Screw
1241E	13891	Rapid Feed Starting Lever Spring Screw Eye
255054	13936	Rapid Feed Starting Lever Stud ..
704c	13964	" " " " " Set Screw
203213	13936	Rapid Feed Starting Lever Stud Spring
253537	13935	Rapid Feed Starting Pawl
250188	13854	" " " " Spring
201454E	13854	" " " " "
		Screw Eye
250189	13960	Rapid Feed Starting Trip Lever with 1454E
201445E	13854	Rapid Feed Starting Trip Lever Position Screw
201437c	13854	Rapid Feed Starting Trip Lever Screw Stud
1454E	13883	Rapid Feed Starting Trip Lever Set Screw
251611	---	Rapid Feed Stop Mechanism com- plete, Nos. 704E, 1241E, 1655E, 40025, 232055, 250409, 252266, 252269, 252271, 252273, 252274, 252306, 253481, 253536 to 253538, 350260c, 350262E, 350293E and two 176D
251168	13856	Rapid Feed Tripping Pawl
350109c	13856	" " " " Hinge Screw

No.	Plate	Name
251169	13856	Rapid Feed Tripping Pawl Lever
250432	13856	" " " " "
		Bracket
232154	13817	Rapid Feed Tripping Pawl Lever Bracket Position Pin (2)
350110c	13856	Rapid Feed Tripping Pawl Lever Bracket Screw
14017	13891	Rapid Feed Tripping Pawl Lever Bracket Screw Washer
72c	13856	Rapid Feed Tripping Pawl Lever Hinge Screw
232083	13937	Rapid Feed Tripping Pawl Spring
1241E	13891	" " " " "
		Screw Eye
1242E	13964	Rapid Feed Tripping Pawl Spring Screw Stud
250195	13960	Rapid Feed Worm with 453c
25362	---	" " " Ball
250196	13964	" " " " Bearing Cup
225007	13856	" " " " Retainer with eight 25362
232244	13811	Rapid Feed Worm Position Pin ..
453c	13849	" " " Set Screw
250197	13960	" " " Wheel
250198	---	" " " " Collar with two 453c
453c	13849	Rapid Feed Worm Wheel Collar Set Screw
202244	---	Rapid Feed Worm Wheel Oil Pack- ing (wick)
250199	13860	Starting Bell Crank
3c	13860	" " " Hinge Screw ..
250200	13860	" Latch
648D	13860	" " Hinge Screw
250201	13860	" " Spring
203E	13849	" " " Screw
250202	13860	" Rod
250203	13860	" " Block with 203E
2273	13956	" " " Position Pin
203E	13849	" " " Set Screw
40043	13860	" " Collar with 209E (2) ..
209E	13825	" " " Set Screw
250204	13860	" " Lock
946D	13860	" " " Hinge Screw
250205	13860	" " " Spring
213D	13860	" " " " Screw
250206	13860	" " " " Washer
250423	13964	" " Spring
201160E	13860	" " " Screw Eye
250207	13857	" " Safety Lock

No.	Plate	Name
38D	13857	Starting Rod Safety Lock Hinge Screw
226467	13857	Starting Rod Safety Lock Hinge Screw Washer
250210	---	Stitch Regulating Gear, 22 teeth ..
250211	---	" " " 26 teeth ..
250212	13899	" " " 28 teeth ..
250598	---	" " " 30 teeth ..
250213	13899	" " " 33 teeth ..
Note. No. 250213 is furnished with this machine unless another Stitch Regulating Gear is specified on order.		
250214	13899	Stitch Regulating Gear, 34 teeth ..
250415	---	" " " 38 teeth ..
250478	---	" " " 42 teeth ..
201660c	13899	" " " Lock Nut..
250215	13861	" Rotating Lever (lower) with 458c
201442E	13862	Stitch Rotating Lever (lower) Position Screw
201871	13862	Stitch Rotating Lever (lower) Roller
350066c	13862	Stitch Rotating Lever (lower) Roller Screw Stud
201666E	13862	Stitch Rotating Lever (lower) Roller Screw Stud Nut
458c	13962	Stitch Rotating Lever (lower) Set Screw
232591	13861	Stitch Rotating Lever (upper) with 448c
40025	13834	Stitch Rotating Lever (upper) Position Pin
448c	13874	Stitch Rotating Lever (upper) Set Screw
232807	13862	Stitch Rotating Lever Connection (front section) (lower)
232593	13862	Stitch Rotating Lever Connection (front section) (upper)
232808	13862	Stitch Rotating Lever Connection (rear section) (lower)
232592	13862	Stitch Rotating Lever Connection (rear section) (upper)
58F	13862	Stitch Rotating Lever Connection Hinge Screw (4)
172D	13862	Stitch Rotating Lever Connection Screw (lower)
193D	13862	Stitch Rotating Lever Connection Screw (upper)
39504	13862	Stitch Rotating Lever Connection Screw Washer (lower)

No.	Plate	Name
232717	13862	Stitch Rotating Lever Connection Screw Washer (upper)
232764	---	Stitch Rotating Lever Connection (lower) complete, Nos. 232807, 232808, two each 172D and 39504
250400	---	Stitch Rotating Lever Connection (upper) complete, Nos. 232592, 232593, 232717 and two 193D
250394	13861	Stitch Rotating Lever Rock Shaft..
250216	13861	" " " Sector (lower)
232597	13861	" " " " Bracket
690D	13862	" " " " " Screw
226163	13862	Stitch Rotating Sector (lower) Bracket Screw Washer
350087c	13862	Stitch Rotating Sector (lower) Hinge Screw
253646	13960	Stitch Rotating Sector (upper)
232599	13861	" " " " Bracket
201395D	13862	Stitch Rotating Sector (upper) Bracket Screw (2)
251026	13933	Stop Lever with 200352c
232262	13863	" " Bracket
350263E	13937	" " " Screw
250218	13863	" " Crank with 453c
40025	13834	" " " Position Pin
453c	13849	" " " Set Screw
232263	13864	" " Friction Pad (rawhide)
200110D	13811	" " " " Screw (2)
255523	13964	" " Interlocking Slide
201084c	13864	" " " " Adjusting Screw
201628E	13864	Stop Lever Interlocking Slide Adjusting Screw Nut
1178D	13864	Stop Lever Interlocking Slide Screw
232265	13864	" " " " " Washer
250416	13864	Stop Lever Interlocking Slide Spring
250219	13863	Stop Lever Link
250220	13863	" " " Connection
250221	13864	" " " " Locking Pin
250222	13864	Stop Lever Link Connection Locking Pin Spring
217D	13864	Stop Lever Link Connection Locking Pin Spring Screw (2)
350225D	13937	Stop Lever Link Connection Screw (back)

No.	Plate	Name
807D	13864	Stop Lever Link Connection Screw (front)
64c	13901	Stop Lever Link Hinge Screw
250223	13863	" " Operating Lever
11c	13864	" " " " Hinge Screw
250224	13864	Stop Lever Operating Plate
157E	13864	" " " " Screw
39541	13864	" " " " " " Washer
40025	13834	Stop Lever Position Pin
200352c	13864	" " Set Screw
250225	13863	" " Shaft
250404	13864	" " Spring
201110D	13864	" " " Screw
253647	13965	Thread and Cord Cutting Blade (movable)
253648	13965	Thread and Cord Cutting Blade (stationary)
175E	13849	Thread and Cord Cutting Blade (stationary) Screw
250444	13849	Thread and Cord Cutting Blade (stationary) Screw Washer
253649	13965	Thread and Cord Cutting Blade Bracket with 232348
253693	13965	Thread and Cord Cutting Blade Bracket Adjusting Plate
232310	13959	Thread and Cord Cutting Blade Bracket Adjusting Plate Position Pin
190D	13900	Thread and Cord Cutting Blade Bracket Adjusting Plate Screw..
7071	13856	Thread and Cord Cutting Blade Bracket Adjusting Plate Screw Washer
350267E	—	Thread and Cord Cutting Blade Bracket Screw
208636	13965	Thread and Cord Cutting Blade Bracket Screw Washer
253650	13965	Thread and Cord Cutting Blade Cam Plate
253651	13965	Thread and Cord Cutting Blade Cam Plate Bracket
161D	13817	Thread and Cord Cutting Blade Cam Plate Bracket Screw
203E	13849	Thread and Cord Cutting Blade Cam Plate Screw (2)
253652	13965	Thread and Cord Cutting Blade Guard

No.	Plate	Name
200177D	13965	Thread and Cord Cutting Blade Guard Screw
350214E	13965	Thread and Cord Cutting Blade Hinge Screw
253653	13965	Thread and Cord Cutting Blade Spring
253654	13963	Thread and Cord Cutting Driving Lever with 362E and 1960
253655	13963	Thread and Cord Cutting Driving Lever Bracket
135D	13965	Thread and Cord Cutting Driving Lever Bracket Screw (2)
*253656	—	Thread and Cord Cutting Driving Lever Cam Groove Protector (inside)
*253657	—	Thread and Cord Cutting Driving Lever Cam Groove Protector (outside)
253658	13965	Thread and Cord Cutting Driving Lever Cam Groove Protector Position Pin
1454E	13883	Thread and Cord Cutting Driving Lever Cam Groove Protector Screw
253659	13965	Thread and Cord Cutting Driving Lever Hinge Stud
1960	13965	Thread and Cord Cutting Driving Lever Roller and Stud with 1520J
1520J	13856	Thread and Cord Cutting Driving Lever Roller and Stud Nut
362E	13965	Thread and Cord Cutting Driving Lever Set Screw
253660	13960	Thread and Cord Cutting Lever with 190D, 7071 and 253693
253661	13965	Thread and Cord Cutting Lever Connection
*38444	—	Thread and Cord Cutting Lever Connection End Bearing (lower)
38446	13847	Thread and Cord Cutting Lever Connection End Bearing 38444 with 42524, 50016c and two 175E
50016c	13847	Thread and Cord Cutting Lever Connection End Bearing (lower) Ball Screw Stud
1636E	13847	Thread and Cord Cutting Lever Connection End Bearing (lower) Ball Screw Stud Nut
*42524	—	Thread and Cord Cutting Lever Connection End Bearing (lower) Cap

No.	Plate	Name
175E	13849	Thread and Cord Cutting Lever Connection End Bearing (lower) Cap Screw
1698C	13847	Thread and Cord Cutting Lever Connection End Bearing (lower) Check Nut
*38443	---	Thread and Cord Cutting Lever Connection End Bearing (upper)
253662	13967	Thread and Cord Cutting Lever Connection End Bearing 38443 with 777c, 42525 and two 175E ..
777C	13965	Thread and Cord Cutting Lever Connection End Bearing (upper) Ball Screw
1636E	13847	Thread and Cord Cutting Lever Connection End Bearing (upper) Ball Screw Nut
*42525	----	Thread and Cord Cutting Lever Connection End Bearing (upper) Cap
175E	13849	Thread and Cord Cutting Lever Connection End Bearing (upper) Cap Screw
1697C	13847	Thread and Cord Cutting Lever Connection End Bearing (upper) Check Nut
50029C	13965	Thread and Cord Cutting Lever Hinge Screw
253663	13967	Throat Plate
250447	13902	" " Adjusting Block
176D	13839	" " Screw
250560	13937	" " " Washer
250590	13963	Vertical Shaft with two each 204648 and 250589
255522	13935	Vertical Shaft Bevel Gear (lower) with two 453c
232719	13858	Vertical Shaft Bevel Gear (lower) Position Pin
250227	13858	Vertical Shaft Bevel Gear (upper) (order Position Screws or Set Screws as required)
40025	13834	Vertical Shaft Bevel Gear Position Pin
350223E	13956	Vertical Shaft Bevel Gear Position Screw
453C	13849	Vertical Shaft Bevel Gear Set Screw
250396	13812	" " Bushing (lower)
200100E	13811	" " " " Screw (2)

No.	Plate	Name
232710	13812	Vertical Shaft Bushing (upper) ..
575C	13811	" " " " Set Screw
253916	13963	Work Clamp Arm (left)
253917	13963	" " " (right)
250525	13963	" " " Bracket (left)
255057	---	" " " " " " 250525 with 250268, 250551, 250552, 253666 and three 2269
250526	13963	Work Clamp Arm Bracket (right)
255058	----	" " " " " " 250526 with 250266, 250528, 250529, 253666 and three 2269
201129D	13937	Work Clamp Arm Bracket Screw (back)
253666	13937	Work Clamp Arm Cam with 209F ..
2269	13895	" " " " Position Pin
209F	13825	" " " " Set Screw.
250552	13937	" " " " Shaft (left)
250528	13937	" " " " " (right)
201237F	13937	" " " " Stop Screw
201537H	13937	" " " " " " Nut
252184	13937	Work Clamp Arm Hinge Block
350123E	13937	" " " " " " Hinge Screw
200051E	13883	Work Clamp Arm Screw
13218	13937	" " " Spring
350136E	13937	" " " " Screw
253928	13966	" " Base (left) with 232304
253703	----	" " " 253928 with 194c, 127c, 662D, 792D, 991E, 1443E, 1550r, 7071, 10249, 13218, 200051E, 200097c, 200177D, 201237E, 201537H, 228026, 250236, 250241, 250418, 250419, 251518, 251519, 252184, 252202, 253652, 253670, 253675, 253677, 253678, 253916, 255003, 255016, 255057, 350080D, 350136E, two each 207E, 201129D, 350123E and nine 934H
250236	13966	Work Clamp Base (left) Guard
934H	13967	" " " " " " Screw
253929	13966	Work Clamp Base (right) with 232304

No.	Plate	Name
253704	—	Work Clamp Base 253929 with 662D, 792D, 991E, 1443E, 1550J 13218, 200051E, 201237E, 201537H, 232270 to 232272, 250238, 250242, 250275, 252184, 252202, 253671, 253676 to 253678, 253917, 255003, 255016, 255058, 350136E, two each 200186U, 201129D, 350123E, four 207F and nine 934H
250238	13966	Work Clamp Base (right) Guard
934H	13967	" " " " " "
		Screw
253670	13966	Work Clamp Base Clamping Plate (left)
253671	13966	Work Clamp Base Clamping Plate (right)
934H	13967	Work Clamp Base Clamping Plate Screw
232304	13967	Work Clamp Base Hinge Stud
232678	13967	" " " Locking Spring (left)
232679	13967	Work Clamp Base Locking Spring (right)
110C	13967	Work Clamp Base Locking Spring Adjusting Screw (2)
217E	13864	Work Clamp Base Locking Spring Screw (2)
7071	13856	Work Clamp Base Locking Spring Screw Washer (2)
250439	13937	Work Clamp Base Retaining Stud
250241	13967	" " " Spring (left) ..
250242	13967	" " " " (right) ..
1443E	13937	" " " " Screw ..
201451E	13967	" " " " " Stud (2)
232309	13967	Work Clamp Base Stop Block (2)
232310	13959	" " " " " Posi- tion Pin (2)
201148H	13967	Work Clamp Base Stop Block Screw (2)
253672	13966	Work Clamp Carrier Base Plate with 250439
232462	13893	Work Clamp Carrier Base Plate Slide Rod
201643E	13825	Work Clamp Carrier Base Plate Slide Rod Nut
200119D	13937	Work Clamp Carrier Base Plate Slide Rod Set Screw

No.	Plate	Name
250244	13893	Work Clamp Carrier Feed Lever
350185C	13937	" " " " " "
		Hinge Screw
250245	13825	Work Clamp Carrier Feed Lever Link
250246	13825	Work Clamp Carrier Feed Lever Link Block
50168E	13825	Work Clamp Carrier Feed Lever Link Block Screw (2)
350070C	13825	Work Clamp Carrier Feed Lever Link Hinge Screw (block end) ..
350216C	13937	Work Clamp Carrier Feed Lever Link Hinge Screw (lever end) ..
201868	13825	Work Clamp Carrier Feed Lever Roller
201988	—	Work Clamp Carrier Feed Lever Roller 201868 with 255075 and 350072E
350072E	13825	Work Clamp Carrier Feed Lever Roller Cap Screw
255075	13937	Work Clamp Carrier Feed Lever Roller Stud
255076	13937	Work Clamp Carrier Feed Lever Roller Stud Washer
253673	13957	Work Clamp Carrier Side Throw Lever (lower section) with 201097C and 201530E
250249	13957	Work Clamp Carrier Side Throw Lever (upper section) with 201374E and 201937
250599	13937	Work Clamp Carrier Side Throw Lever Hinge Stud
250600	13937	Work Clamp Carrier Side Throw Lever Hinge Stud Collar with two 448C
448C	13874	Work Clamp Carrier Side Throw Lever Hinge Stud Collar Set Screw
435C	13885	Work Clamp Carrier Side Throw Lever Hinge Stud Set Screw ...
250250	13825	Work Clamp Carrier Side Throw Lever Lock Pin with 201940 and 350072E
201940	13825	Work Clamp Carrier Side Throw Lever Lock Pin Roller
350072E	13825	Work Clamp Carrier Side Throw Lever Lock Pin Roller Cap Screw
201430C	13825	Work Clamp Carrier Side Throw Lever Lock Pin Screw Stud

No.	Plate	Name
250251	13825	Work Clamp Carrier Side Throw Lever Lock Pin Spring
191c	13825	Work Clamp Carrier Side Throw Lever Lock Pin Spring Screw (2)
201873	13825	Work Clamp Carrier Side Throw Lever Roller
201937	13825	Work Clamp Carrier Side Throw Lever Roller 201873 with 201144e and 232686
201144E	13825	Work Clamp Carrier Side Throw Lever Roller Cap Screw
232686	13893	Work Clamp Carrier Side Throw Lever Roller Stud
201374E	13893	Work Clamp Carrier Side Throw Lever Roller Stud Cap Screw ..
232321	13893	Work Clamp Carrier Side Throw Lever Slide Block
253674	13967	Work Clamp Carrier Side Throw Lever Slide Block Guide
231c	13893	Work Clamp Carrier Side Throw Lever Slide Block Guide Screw (2)
201097c	13893	Work Clamp Carrier Side Throw Lever Slide Block Screw Stud ..
201530E	13893	Work Clamp Carrier Side Throw Lever Slide Block Screw Stud Nut
250253	13966	Work Clamp Carrier Slide (left) with 200119b
250254	13966	Work Clamp Carrier Slide (right) with 200119b
255082	13938	Work Clamp Carrier Slide Adjusting Bracket with 255061 and two 208b
236D	13840	Work Clamp Carrier Slide Adjusting Bracket Screw (2)
208D	13851	Work Clamp Carrier Slide Adjusting Screw
255061	13938	Work Clamp Carrier Slide Adjusting Screw Locking Plate
255509	13938	Work Clamp Carrier Slide Gib (left, back)
253683	13968	Work Clamp Carrier Slide Gib (left, front)
255511	13938	Work Clamp Carrier Slide Gib (right, back)
255512	13938	Work Clamp Carrier Slide Gib (right, front)
1094E	13883	Work Clamp Carrier Slide Gib Screw

No.	Plate	Name
250255	13966	Work Clamp Carrier Slide Stay Plate
250597	13938	Work Clamp Carrier Slide Stay Plate Position Pin (2)
231c	13893	Work Clamp Carrier Slide Stay Plate Screw (5)
253675	13967	Work Clamp Check (left)
253676	13967	" " " (right)
253677	13967	" " " Hinge Pin
253678	13967	" " " Spring
662D	13816	" " " " Screw ...
252194	13823	" " Closing Lever
250266	13968	" " " " (hand) with 209F
2269	13895	Work Clamp Closing Lever (hand) Position Pin
209F	13825	Work Clamp Closing Lever (hand) Set Screw
252196	13823	Work Clamp Closing Lever Adjusting Arm with 201531n, 201948 and 228026
1178E	13864	Work Clamp Closing Lever Adjusting Arm Screw
14017	13891	Work Clamp Closing Lever Adjusting Arm Screw Washer
255021	13935	Work Clamp Closing Lever Cam Groove Protector
210750	13968	Work Clamp Closing Lever Cam Groove Protector Position Pin ..
172D	13862	Work Clamp Closing Lever Cam Groove Protector Screw
255022	13938	Work Clamp Closing Lever Cam Safety Latch
350198F	13938	Work Clamp Closing Lever Cam Safety Latch Hinge Screw
255023	13938	Work Clamp Closing Lever Cam Safety Latch Spring
250261	13891	Work Clamp Closing Lever Disengaging Block
183c	13840	Work Clamp Closing Lever Disengaging Block Screw
250406	13891	Work Clamp Closing Lever Disengaging Block Shim (.005 in. thick)
250407	13891	Work Clamp Closing Lever Disengaging Block Shim (.010 in. thick)
255127	-----	Work Clamp Closing Lever Engaging Stud
250263	13823	Work Clamp Closing Lever Engaging Stud Latch

No.	Plate	Name
250264	13891	Work Clamp Closing Lever Engaging Stud Latch Spring
1241E	13891	Work Clamp Closing Lever Engaging Stud Latch Spring Screw Eye
201956	13891	Work Clamp Closing Lever Engaging Stud Roller
255128	---	Work Clamp Closing Lever Engaging Stud Roller Cap
255129	---	Work Clamp Closing Lever Engaging Stud Roller Retaining Pin ..
255130	---	Work Clamp Closing Lever Engaging Stud complete, Nos. 201956, 255127 to 255129 and 350133E
350133E	13891	Work Clamp Closing Lever Engaging Stud Screw
250265	13891	Work Clamp Closing Lever Engaging Stud Spring
201438C	13891	Work Clamp Closing Lever Hinge Screw
201947	13891	Work Clamp Closing Lever Roller
201948	13891	" " " "
		201947 with 350156E
350156E	13891	Work Clamp Closing Lever Roller Screw Stud
201531H	13956	Work Clamp Closing Lever Roller Screw Stud Nut
228026	13883	Work Clamp Closing Lever Roller Screw Stud Washer
250267	13891	Work Clamp Closing Lever Spring
1241E	13891	" " " "
		Screw Eye (2)
991E	13891	Work Clamp Closing Lever Stop Screw
250268	13968	Work Clamp Connection Lever (left) with 209F
250529	13968	Work Clamp Connection Lever (right) with 209F
2269	13895	Work Clamp Connection Lever Position Pin
209F	13825	Work Clamp Connection Lever Set Screw
250270	13960	Work Clamp Opening Bell Crank with 1819
659D	13895	Work Clamp Opening Bell Crank Hinge Screw
1819	13840	Work Clamp Opening Bell Crank Roller and Stud
232200	13895	Work Clamp Opening Bell Crank Spring

No.	Plate	Name
1241E	13891	Work Clamp Opening Bell Crank Spring Screw Eye
253680	13968	Work Clamp Opening Cam with 462C
12509	13968	Work Clamp Opening Cam Position Pin
462C	13847	Work Clamp Opening Cam Set Screw
250551	13895	Work Clamp Opening Lever with 1253C
251519	13968	Work Clamp Opening Lever Latch
253679	13968	" " " " " "
		Releasing Bracket with 200E, 1547J and 350218C
200E	13816	Work Clamp Opening Lever Latch Releasing Bracket Set Screw ...
350218C	13968	Work Clamp Opening Lever Latch Releasing Screw
1547J	13968	Work Clamp Opening Lever Latch Releasing Screw Check Nut
10249	13968	Work Clamp Opening Lever Latch Spring
217D	13864	Work Clamp Opening Lever Latch Spring Screw
7071	13856	Work Clamp Opening Lever Latch Spring Screw Washer
194C	13856	Work Clamp Opening Lever Latch Stop Screw
2269	13895	Work Clamp Opening Lever Position Pin
1253C	13895	Work Clamp Opening Lever Set Screw
255077	---	Work Clamp Opening Rod
255079	---	Work Clamp Opening Rod complete, Nos. 203C, 1662C, 250287, 253679, 255077 and 255078
255078	---	Work Clamp Opening Rod Connection
807D	13864	Work Clamp Opening Rod Connection Hinge Screw
250274	13895	Work Clamp Opening Rod Guide with 808D
808D	13895	Work Clamp Opening Rod Guide Pinch Screw
1662C	13968	Work Clamp Opening Rod Nut ...
250275	13895	" " " Stop (adjustable)
207F	13895	Work Clamp Opening Stop Screw
250276	13969	" " Spreader (left)
350140D	13969	" " " " Screw

No.	Plate	Name
250277	13969	Work Clamp Spreader (right)
201463D	13969	" " " " Screw
991E	13891	" " " Adjusting Screw
252202	13969	Work Clamp Spreader Adjusting Screw Bracket
207F	13895	Work Clamp Spreader Adjusting Screw Bracket Screw
1550J	13891	Work Clamp Spreader Adjusting Screw Nut
250279	13966	Work Clamp Spreader Base Plate
50058D	13969	" " " " " " Screw (2)
250280	13969	Work Clamp Spreader Connection
201453C	13969	" " " " " Hinge Screw
250281	13969	Work Clamp Spreader Connection Link (left)
250282	13969	Work Clamp Spreader Connection Link (right)
201452E	13969	Work Clamp Spreader Connection Link Hinge Screw (2)
250283	13969	Work Clamp Spreader Operating Fork Lever
212D	13825	Work Clamp Spreader Operating Fork Lever Cap Screw
350138E	13969	Work Clamp Spreader Operating Fork Lever Hinge Screw
255081	13969	Work Clamp Spreader Operating Fork Lever Stop Plate
203E	13849	Work Clamp Spreader Operating Fork Lever Stop Plate Screw ..
250285	13969	Work Clamp Spreader Operating Pawl
252512	13969	Work Clamp Spreader Operating Pawl Adjusting Block
176D	13839	Work Clamp Spreader Operating Pawl Adjusting Block Screw
7071	13856	Work Clamp Spreader Operating Pawl Adjusting Block Screw Washer
132E	13969	Work Clamp Spreader Operating Pawl Adjusting Screw
201669E	13969	Work Clamp Spreader Operating Pawl Adjusting Screw Nut
741C	13847	Work Clamp Spreader Operating Pawl Hinge Screw
250286	13969	Work Clamp Spreader Operating Pawl Spring

No.	Plate	Name
201314C	13969	Work Clamp Spreader Operating Pawl Stop Screw
252513	-----	Work Clamp Spreader Operating Pawl complete, Nos. 176D, 7071, 250285 and 252512
201314C	13969	Work Clamp Spreader Screw Stud (2)
250287		Work Clamp Spreader Releaser
203C	13849	" " " " " Screw
253525	13969	Work Clamp Spreader Retaining Stop Plate
237F	13860	Work Clamp Spreader Stop Plate Screw
255003	13969	Work Clamp Spring
255016	13969	" " " Wear Plate ...
792D	13936	" " " " " " Screw

MACHINE No. 99w88

CUTS AFTER STITCHING

Automatic Eyelet End Buttonhole Machine, for $\frac{1}{4}$ or $\frac{3}{8}$
in. buttonholes in overalls, raincoats, etc.

Same as Machine No. 99w86 with the following
exceptions:

No.	Plate	Name
254002	13956	Buttonhole Cutting Block (steel), $\frac{3}{8}$ in. (taper bar), in place of 253697
254004	13956	Buttonhole Cutting Knife (.126 x .180 eye), in place of 253699 ...
254005	13957	Feed Wheel with three 232382, in place of 252601
254006	13958	Needle Thread Pull-off Bracket with 253702 and two 453c, in place of 253641
254027	13962	Needle Thread Tension Releasing Block with 200E, in place of 255329
254025	—	Pattern Wheel, for $\frac{3}{8}$ in. Taper Bar (large eye) Buttonhole, bar ad- justable from $\frac{1}{4}$ to $\frac{1}{2}$ in., in place of 253731
255307	—	Pattern Wheel Ring 250617 with 252662, 252663, two each 211E and 250444, in place of 253692
252662	13964	Pattern Wheel Ring Adjusting Seg- ment (curved rise), in place of 253690
254026	—	Pattern Wheel, for $\frac{3}{8}$ in. Taper Bar (large eye) Buttonhole, bar ad- justable from $\frac{1}{4}$ to $\frac{1}{2}$ in., complete, Nos. 254025, 255307, two each 203E, 250372 and three 391D, in place of 253732

No.	Plate	Name
254015	—	Work Clamp Base 253928 with 194c, 217E, 662D, 792D, 991E, 1443E, 1550J, 7071, 10249, 13218, 200051E, 200097c, 200177D, 201237E, 201537H, 228026, 250236, 250241, 250418, 250419, 251518, 251519, 252184, 252202, 253652, 253677, 253678, 253916, 254017, 254020, 255003, 255016, 255057, 350080D, 350136E, two each 207F, 201129D, 350123E and nine 934H, in place of 253703
254016	—	Work Clamp Base 253929 with 662D, 792D, 991E, 1443E, 1550J, 13218, 200051E, 201237E, 201537H, 232270 to 232272, 250238, 250242, 250275, 252184, 252202, 253677, 253678, 253917, 254018, 254021, 255003, 255016, 255058, 350136E, two each 200186H, 201129D, 350123E, four 207F and nine 934H, in place of 253704
254017	13966	Work Clamp Base Clamping Plate (left), in place of 253670
254018	13966	Work Clamp Base Clamping Plate (right), in place of 253671
254020	13967	Work Clamp Check (left), in place of 253675
254021	13967	Work Clamp Check (right), in place of 253676

ACCESSORIES

FOR MACHINE No. 99w86

No.	Plate	Name
253697	13956	Buttonhole Cutting Block (steel), 5/8 in. taper bar
253516	---	Buttonhole Cutting Knife (100 x .157 eye)
232486	13865	Threader Wire (large)
250412	13865	" " (small)
255513	13866	Tweezers
142 x 5	---	Needles, six, size 18
250004	13865	Bed Cushion (leather) (back)
250006	13865	" " " (front)
250007	13865	" " " (rawhide) (inside)
250008	13865	" " " (outside)
158E	13909	" " Screw
250018	13865	" Support (left) with 250004, 250006, 250008, two 250007 and six 158E
250019	13865	Bed Support (right) with 250004, 250006, 250008, two 250007 and six 158E
250288	---	Drip Pan
250408	13865	Machine Rest (high) with 232982 and two wood screws 1 in., No. 13
232982	---	Machine Rest Cushion (leather) ..
120346	13865	Oiler (copper plated) with 120347 ..
120347	13865	" Spout (9 in. long)
11831	13866	Screw Driver, 5 in. blade (machine, large)
*225484	---	Screw Driver Blade
*250521	---	" " "
*225483	---	" " Handle
*225485	---	" " "
225498	13866	Screw Driver complete (7 1/2 in. long), Nos. 225484 and 225485 ..
250522	13866	Screw Driver complete (for needle set screw), Nos. 225483 and 250521
253710	13971	Work Position Gauge (left)
253711	13971	" " " (right)
1239D	13971	" " " Screw (2)
250289	13866	Wrench, for 350111
250402	13865	" " 201442 and 201445
232935	13866	" " 201658, 201659 and 201670

No.	Plate	Name
8909	13866	Wrench, for 201628 and 201660
10875	13866	" " 201524
23535	13866	" " 1697 and 1698
25200	13866	" " 1528 and 201643
42850	13866	" " 1550
232900	13866	" " 201362 and 201668
250212	13899	Stitch Regulating Gear, 28 teeth ..
250543	13970	" " " Holder
		Wood Screws 1 1/4 in., No. 12 (1) ..

THREAD UNWINDER

232417	13970	Spool Pin
225375	13970	" " (wood)
232895	13970	" " Arm with 759E
232896	13970	" " " Bracket with two 448c
448c	13874	Spool Pin Arm Bracket Set Screw
448c	13874	" " " Set Screw
250424	13970	" " Cap
200159f	13971	" " " Screw
759f	13971	" " Thumb Set Screw
225389	13944	" Rest (for one spool) with 201018c
225395	13944	Spool Rest (for two spools) with 201018c
232987	13944	Spool Rest Cushion (felt)
250453	13944	" " Rod (lower)
225388	13944	" " " (upper)
250454	13970	" " " Coupling with two 456c
456c	13971	Spool Rest Rod Coupling Set Screw
200383c	13871	" " " Set Screw
201018c	13971	" " Set Screw
202490	13944	" Stand with 200383c
225390	13970	Thread Cone Holder
250472	13970	" Cop Holder
225391	13970	" Guide
201696j	13971	" " Lock Nut
350192j	13970	" " Screw Stud
225393	---	" " " Washer ..
200164h	13971	" " Stud Set Screw
225376		Thread Unwinder complete, Nos. 200164h, 201696j, 202490, 225388, 225389, 225393, 225395, 250453, 250454, 250472, 350192j, three each 200159f, 225375, 225390, 232417, 232895, 232896, 232987, 250424, four 225391 and three wood screws 3/4 in., No. 12

No.	Plate	Name
228598	---	Counter Shaft Hanger complete, for Singer Safety Power Table, Nos. 50294e, 200002e, 240833, 228565 to 228567, 228590 to 228593, 228597, 228601, 228602, 228632, two 51046e and three 41125
228573	13870	Driving Attachment Belt Guard with 228607
228607	13926	Driving Attachment Belt Guard Drain Valve
50075j	13871	Driving Attachment Belt Guard Thumb Screw
228574	13870	Driving Attachment Bracket with 11119, 228575 and four 350028c ..
228575	13871	Driving Attachment Bracket Oil Cup
11119	13871	Driving Attachment Bracket Oil Tube with 52045
52045	---	Driving Attachment Bracket Oil Tube Packing (cotton)
51046e	13971	Driving Attachment Bracket Screw
41125	13871	" " " " Washer
228624	13926	Driving Pulley, 6 in. diam., with 200374e and 200396c
200396c	13971	Driving Pulley Position Screw
200374e	13816	" " Set Screw
228625	13926	" " Shaft
228571	13869	" " " Bushing with 202260
350028c	13871	Driving Pulley Shaft Bushing Set Screw
228626	13926	Driving Pulley Shaft Collar with two 200378c
200378c	13971	Driving Pulley Shaft Collar Set Screw
202260	---	Driving Pulley Shaft Bushing Oil Packing (wick)
228627	---	Driving Attachment complete, Nos. 50075j, 228573, 228574, 228579, 228580, 228618 to 228626, two each 2117, 228571, three each 41125, 51046e, 200050c and 214179 to 214181
228578	---	Driving Attachment and Idler complete, Nos. 228587 and 228627 ...
234342	---	Front Plank Extension (back) with two wood screws 1½ in., No. 10 (for flat table)

No.	Plate	Name
234343	---	Front Plank Extension (back) with three wood screws 1½ in., No. 10 and six 1½ in. wire nails, for Singer Safety Power Table (trough)
234344	---	Front Plank Extension (front) with two wood screws 2¼ in., No. 12 and three wood screws 1¼ in., No. 12
234349	---	Front Plank Extension (back) with four wood screws 1½ in., No. 10, for Singer Universal Safety Power Table (flat)
234350	---	Front Plank Extension (back) with six wood screws 1½ in., No. 10, for Singer Universal Safety Power Table (trough)
228581	13870	Idler Pulley
228643	13870	" " Belt Guard with 200526c
200526c	13871	" " " " Set Screw ..
228644	13870	" " Bracket with 200526c ..
200019e	13871	" " " Screw
228584	13869	" " Shaft with 228586
228602	13871	" " " Oil Cup
228585	-	" " " " Wick
228586	13869	" " " " " Wire with 228585
200526c	13871	Idler Pulley Shaft Set Screw
228587	---	Idler complete, Nos. 228584, 228602, 228644, two each 228581, 228643 and three 200019e
228621	13926	Machine Driving Pulley (loose), 3½ in. diameter
228622	13926	Machine Driving Pulley Clutch
214179	13971	" " " " Roller
214181	13971	" " " " " " Spring
214180	13971	Machine Driving Pulley Clutch Roller Spring Plunger
200050c	13971	Machine Driving Pulley Clutch Screw
228623	13926	Machine Driving Pulley Collar with two 200364c
200364c	13883	Machine Driving Pulley Collar Set Screw
228604	---	Motor Base with four each 41125 and 50294e

No.	Plate	Name
50294E	13871	Motor Base Screw
41125	13871	" " " Washer
27068	—	Shaft Pulley (sectional, grooved), 8 in. diam., $1\frac{3}{8}$ in. bore, with two 597c
41228	—	Shaft Pulley (sectional, grooved), $5\frac{1}{2}$ in. diam., $1\frac{1}{8}$ in. bore, with two 50399c
597c	13971	Shaft Pulley Clamping Screw
50399E	13971	Shaft Pulley Screw
126865	15413	Table Belt Guide Bracket with 795c
50285R	15413	" " " " Bolt
126841	15413	" " " " " Clamp- ing Plate
126846	15413	Table Belt Guide Bracket Bolt Washer
126750	15413	Table Belt Guide Pulley with 126752
126868	15413	" " " " Shaft
126752	15413	" " " " " Bushing
126869	15413	" " " " " Collar with 1448c
1448c	15413	Table Belt Guide Pulley Shaft Col- lar Set Screw
795c	15413	Table Belt Guide Pulley Shaft Set Screw
126866	15413	Table Belt Guide Pulley Shaft Sup- port Bracket with three wood screws $\frac{3}{4}$ in., No. 9, R.H.O. and A.
126870	—	Table Belt Guide complete, Nos. 50285R, 126841, 126846, 126865, 126866, 126868, two each 126750 and 126869
126715	—	Transmitter Pulley (sectional, grooved), sheet metal, $5\frac{1}{2}$ in. diameter
228599	—	Driving Equipment complete, for Old Style Power Table (flat) and Singer Universal Power Table (flat), Nos. 27068, 228578, 228596, 228628, 228631, 234342, 234344 and blue print template
228600	—	Driving Equipment complete, for Singer Safety Power Table (flat), Nos. 41228, 228578, 228598, 228628, 228630, 234342, 234344 and blue print template

No.	Plate	Name
228605	—	Driving Equipment complete, for Individual Motor Table, Nos. 228627 to 228629
228606	—	Driving Equipment complete, for Singer Safety Power Table (trough), Nos. 41228, 228578, 228598, 228628, 228630, 234343, 234344 and blue print template..
228609	—	Driving Equipment complete, for Bridgeport Old Style Power Table (trough) and Singer Universal Power Table (trough), Nos. 27068, 228578, 228596, 228608, 228628, 228631, 234344 and blue print template
228611	—	Driving Equipment complete, for E'port Old Style Power Table (trough), Nos. 27068, 228578, 228596, 228610, 228628, 228631, 234344 and blue print template..
228612	—	Driving Equipment complete, for use in connection with Electric Transmitter Motor on Power Table (flat), Nos. 228627 to 228629, 234344 and blue print template
228613	—	Driving Equipment complete, for use in connection with Electric Transmitter Motor on Power Table (E'port trough), Nos. 228610, 228627 to 228629, 234344 and blue print template
228645	—	Driving Equipment complete, for Singer Universal Safety Power Table (flat), Nos. 126715, 126870, 228627, 228628, 228630, 234349 and blue print template
228646	—	Driving Equipment complete, for Singer Universal Safety Power Table (trough), Nos. 126715, 126870, 228627, 228628, 228630, 234350 and blue print template ..

FOR MACHINE No. 99w88

Same as for No. 99w86 with the following exceptions:

No.	Plate	Name
254002	13956	Buttonhole Cutting Block (steel), 3/4 in. (taper bar), in place of 253697
254004		Buttonhole Cutting Knife (.126 x .180 eye), in place of 253516
		(253710, 253711 Gauges and 12390 Gauge Screw, not used)

BUTTONHOLE CUTTING BLOCKS

FOR MACHINE No. 99w86

No.	Plate	Name
253697	13956	Buttonhole Cutting Block (steel), 3/4 in. (taper bar)
253698	13956	Buttonhole Cutting Block (steel), 7/8 in. (taper bar)

FOR MACHINE No. 99w88

254001		Buttonhole Cutting Block (steel), 3/4 in. (taper bar)
254002	13956	Buttonhole Cutting Block (steel), 3/4 in. (taper bar)

BUTTONHOLE CUTTING KNIVES

FOR MACHINE No. 99w86

253516		Buttonhole Cutting Knife (.100 x .157 eye)
253699	13956	Buttonhole Cutting Knife (.126 x .180 eye)

FOR MACHINE No. 99w88

254004	13956	Buttonhole Cutting Knife (.126 x .180 eye)
--------	-------	---

PATTERN WHEELS

FOR MACHINE No. 99w86

For Making EYELET END Buttonholes with
MEDIUM EYE and TAPER BAR,
without cutting space

No.	Plate	Name
253732	—	Pattern Wheel, $\frac{5}{8}$ in., complete, bar adjustable from $\frac{1}{4}$ to $\frac{3}{4}$ in., Nos. 253692, 253731, two each 203E, 250372 and three 391D

For Making EYELET END Buttonholes with
LARGE EYE and TAPER BAR,
without cutting space

253644	—	Pattern Wheel, $\frac{5}{8}$ in., complete, bar adjustable from $\frac{1}{4}$ to $\frac{3}{4}$ in., Nos. 253444, 253643, 253692, two each 175E, 203E, 250372 and three 391D
253687	—	Pattern Wheel, $\frac{3}{4}$ in., complete, bar adjustable from $\frac{1}{4}$ to $\frac{1}{2}$ in., Nos. 253444, 253686, 253692, two each 175E, 203E, 250372 and three 391D

For Making EYELET END Buttonholes with
LARGE EYE and TAPER BAR,
with .025 in. cutting space

253707	—	Pattern Wheel, $\frac{5}{8}$ in., complete, bar adjustable from $\frac{1}{4}$ to $\frac{3}{4}$ in., Nos. 253692, 253706, two each 203E, 250372 and three 391D
253709	—	Pattern Wheel, $\frac{3}{4}$ in., complete, bar adjustable from $\frac{1}{4}$ to $\frac{1}{2}$ in., Nos. 253692, 253708, two each 203E, 250372 and three 391D
253731	—	Pattern Wheel, for $\frac{5}{8}$ in. Taper Bar (medium eye) Buttonhole, bar adjustable from $\frac{1}{4}$ to $\frac{3}{4}$ in., for 253732

No.	Plate	Name
253643	—	Pattern Wheel, for $\frac{5}{8}$ in. Taper Bar (large eye) Buttonhole, bar adjustable from $\frac{1}{4}$ to $\frac{3}{4}$ in., for 253644
253686	—	Pattern Wheel, for $\frac{3}{4}$ in. Taper Bar (large eye) Buttonhole, bar adjustable from $\frac{1}{4}$ to $\frac{1}{2}$ in., for 253687
253706	13963	Pattern Wheel, for $\frac{5}{8}$ in. Taper Bar (large eye) Buttonhole, bar adjustable from $\frac{1}{4}$ to $\frac{3}{4}$ in., for 253707
253708	—	Pattern Wheel, for $\frac{3}{4}$ in. Taper Bar (large eye) Buttonhole, bar adjustable from $\frac{1}{4}$ to $\frac{1}{2}$ in., for 253709
253444	13963	Pattern Wheel Cam Block
	175E 13849	" " " " Screw
250372	13849	" " Rapid Feed Trip Point
	203E 13849	Pattern Wheel Rapid Feed Trip Point Screw
250617	13963	Pattern Wheel Ring
253692	—	" " " 250617 with 252663, 253690, two each 211E and 250444
253690	13964	Pattern Wheel Ring Adjusting Segment (curved rise)
252663	13964	Pattern Wheel Ring Adjusting Segment (straight drop)
	211E 13849	Pattern Wheel Ring Adjusting Segment Screw
250444	13849	Pattern Wheel Ring Adjusting Segment Screw Washer
	391D 13849	Pattern Wheel Ring Screw

FOR MACHINE No. 99w88

For Making EYELET END Buttonholes with
LARGE EYE and TAPER BAR,
without cutting space

254008	—	Pattern Wheel, $\frac{3}{4}$ in., complete, bar adjustable from $\frac{1}{4}$ to $\frac{3}{4}$ in., Nos. 253444, 254007, 255307, two each 175E, 203E, 250372 and three 391D
254010	—	Pattern Wheel, $\frac{5}{8}$ in., complete, bar adjustable from $\frac{1}{4}$ to $\frac{1}{2}$ in., Nos. 253444, 254009, 255307, two each 175E, 203E, 250372 and three 391D

No.	Plate	Name
For Making EYELET END Buttonholes with LARGE EYE and TAPER BAR, with .025 in. cutting space		
254024	-----	Pattern Wheel, $\frac{3}{4}$ in., complete, bar adjustable from $\frac{1}{4}$ to $\frac{3}{4}$ in., Nos. 254023, 255307, two each 203E, 250372 and three 391D
254026	-----	Pattern Wheel, $\frac{3}{4}$ in., complete, bar adjustable from $\frac{1}{4}$ to $\frac{1}{2}$ in., Nos. 254025, 255307, two each 203E, 250372 and three 391D
254007	-----	Pattern Wheel, for $\frac{3}{4}$ in. Taper Bar (large eye) Buttonhole, bar adjustable from $\frac{1}{4}$ to $\frac{3}{4}$ in., for 254008
254009	-----	Pattern Wheel, for $\frac{3}{4}$ in. Taper Bar (large eye) Buttonhole, bar adjustable from $\frac{1}{4}$ to $\frac{1}{2}$ in., for 254010
254023	-----	Pattern Wheel, for $\frac{3}{4}$ in. Taper Bar (large eye) Buttonhole, bar adjustable from $\frac{1}{4}$ to $\frac{3}{4}$ in., for 254024
254025	-----	Pattern Wheel, for $\frac{3}{4}$ in. Taper Bar (large eye) Buttonhole, bar adjustable from $\frac{1}{4}$ to $\frac{1}{2}$ in., for 254026
253444	13963	Pattern Wheel Cam Block
175E	13849	" " " " Screw ..
250372	13849	" " Rapid Feed Trip Point
203E	13849	" " " " " " " " " " Screw
250617	13963	Pattern Wheel Ring
255307	-----	" " " 250617 with 252662, 252663, two each 211E and 250444
252662	13964	Pattern Wheel Ring Adjusting Segment (curved rise)
252663	13964	Pattern Wheel Ring Adjusting Segment (straight drop)
211E	13849	Pattern Wheel Ring Adjusting Segment Screw
250444	13849	Pattern Wheel Ring Adjusting Segment Screw Washer
391D	13849	Pattern Wheel Ring Screw

PATTERN WHEEL CABINET

250403 ----- Pattern Wheel Cabinet

KNIFE TRUEING FIXTURE

No.	Plate	Name
232870	13874	Knife Trueing Fixture Base with 448c
232871	-----	Knife Trueing Fixture Base 232870 with 596, 232872 and 232876
232875	-----	Knife Trueing Fixture Oil Stone Bracket 232874 with 232873 and 232877
232872	13874	Knife Trueing Fixture Knife Clamping Lever
596	13874	Knife Trueing Fixture Knife Clamping Lever Hinge Screw
232873	13874	Knife Trueing Fixture Oil Stone ..
448c	13874	" " " " " " " " Set Screw
232874	13874	Knife Trueing Fixture Oil Stone Bracket with three 448c
232876	13874	Knife Trueing Fixture Oil Stone Bracket Shaft
448c	13874	Knife Trueing Fixture Oil Stone Bracket Shaft Set Screw
232877	13874	Knife Trueing Fixture Oil Stone Set Screw Friction Gib
232878	-----	Singer Knife Trueing Fixture complete, Nos. 232871 and 232875 ..

THREAD LUBRICATING CUP

No.	Plate	Name
250518	13971	Thread Lubricating Cup with 171E, 250519 and 250520
250519	-----	Thread Lubricating Cup Oil Pad (felt)
171E	13902	Thread Lubricating Cup Pinch Screw
250520	-----	Thread Lubricating Cup Thread Guide

SHAFT PULLEYS

For Singer Safety Power Table

No.	Plate	Name
41219	—	Shaft Pulley (sectional, grooved), 3 in. diam., $\frac{1}{8}$ in. bore (for Table Shaft), with two 50399E
41220	—	Shaft Pulley (sectional, grooved), 3 $\frac{1}{4}$ in. diam., $\frac{1}{8}$ in. bore (for Table Shaft), with two 50399E
41221	—	Shaft Pulley (sectional, grooved), 3 $\frac{1}{2}$ in. diam., $\frac{1}{8}$ in. bore (for Table Shaft), with two 50399E
41222	—	Shaft Pulley (sectional, grooved), 3 $\frac{3}{4}$ in. diam., $\frac{1}{8}$ in. bore for Table Shaft), with two 50399E
41223	—	Shaft Pulley (sectional, grooved), 4 in. diam., $\frac{1}{8}$ in. bore (for Table Shaft), with two 50399E
41224	—	Shaft Pulley (sectional, grooved), 4 $\frac{1}{4}$ in. diam., $\frac{1}{8}$ in. bore (for Table Shaft), with two 50399E
41228	—	Shaft Pulley (sectional, grooved), 5 $\frac{1}{4}$ in. diam., $\frac{1}{8}$ in. bore, with two 50399E
50399E	13971	Shaft Pulley Screw

For Low Shaft Table

27271	—	Shaft Pulley (sectional, grooved), 4 in. diam., $1\frac{1}{8}$ in. bore, with two 597c
232920	—	Shaft Pulley (sectional, grooved), 4 $\frac{1}{2}$ in. diam., $1\frac{3}{8}$ in. bore, with two 597c
27065	—	Shaft Pulley (sectional, grooved), 5 in. diam., $1\frac{3}{8}$ in. bore, with two 597c
232879	—	Shaft Pulley (sectional, grooved), 5 $\frac{1}{2}$ in. diam., $1\frac{3}{8}$ in. bore, with two 597c

No.	Plate	Name
27066	—	Shaft Pulley (sectional, grooved), 6 in. diam., $1\frac{1}{8}$ in. bore, with two 597c
232880	—	Shaft Pulley (sectional, grooved), 6 $\frac{1}{2}$ in. diam., $1\frac{3}{8}$ in. bore, with two 597c
27067	—	Shaft Pulley (sectional, grooved), 7 in. diam., $1\frac{3}{8}$ in. bore, with two 597c
232881	—	Shaft Pulley (sectional, grooved), 7 $\frac{1}{2}$ in. diam., $1\frac{3}{8}$ in. bore, with two 597c
27068	—	Shaft Pulley (sectional, grooved), 8 in. diam., $1\frac{3}{8}$ in. bore, with two 597c
232882	—	Shaft Pulley (sectional, grooved), 8 $\frac{1}{2}$ in. diam., $1\frac{3}{8}$ in. bore, with two 597c
27069	—	Shaft Pulley (sectional, grooved), 9 in. diam., $1\frac{3}{8}$ in. bore, with two 597c
232883	—	Shaft Pulley (sectional, grooved), 9 $\frac{1}{2}$ in. diam., $1\frac{3}{8}$ in. bore, with two 597c
27070	—	Shaft Pulley (sectional, grooved), 10 in. diam., $1\frac{3}{8}$ in. bore, with two 597c
27072	—	Shaft Pulley (sectional, grooved), 12 in. diam., $1\frac{3}{8}$ in. bore, with two 597c
27074	—	Shaft Pulley (sectional, grooved), 14 in. diam., $1\frac{3}{8}$ in. bore, with two 597c
27075	—	Shaft Pulley (sectional, grooved), 15 in. diam., $1\frac{3}{8}$ in. bore, with two 597c
597c	13971	Shaft Pulley Clamping Screw

TRANSMITTER PULLEYS

For Singer Universal Safety Power Table

No.	Plate	Name
126713	---	Transmitter Pulley (sectional, grooved), sheet metal, $4\frac{1}{4}$ in. diameter
126714	15413	Transmitter Pulley (sectional, grooved), sheet metal, 5 in. diameter
126715	---	Transmitter Pulley (sectional, grooved), sheet metal, $5\frac{1}{4}$ in. diameter
126716	---	Transmitter Pulley (sectional, grooved), sheet metal, $5\frac{1}{2}$ in. diameter
126717	---	Transmitter Pulley (sectional, grooved), sheet metal, $5\frac{3}{4}$ in. diameter

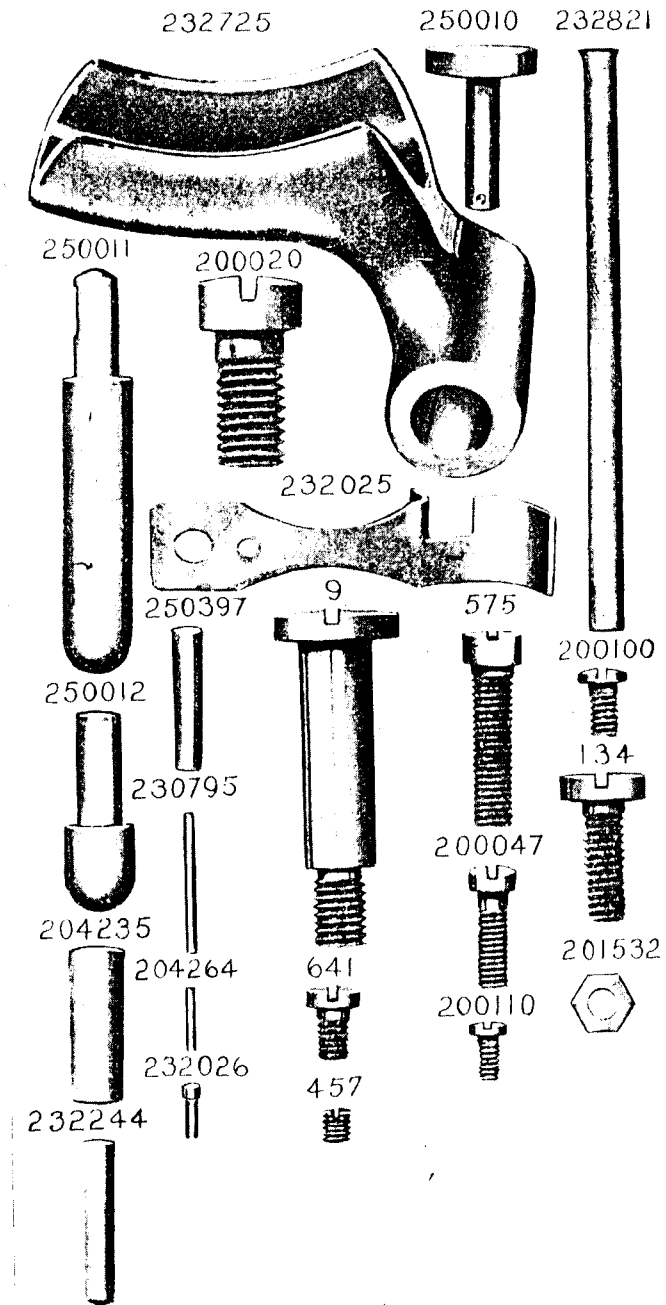
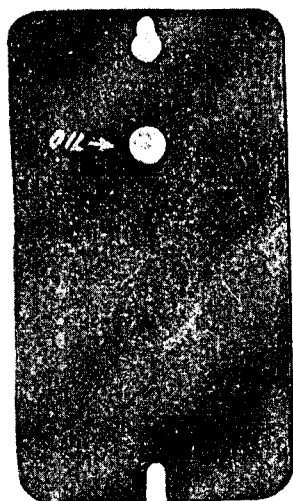
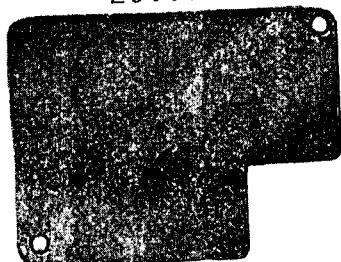


PLATE 13812—ONE-HALF SIZE

232520



250002

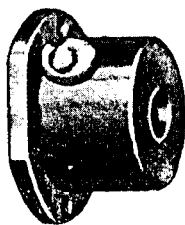


232497

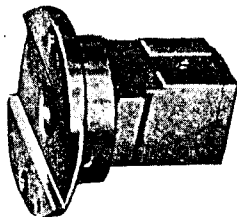


250396

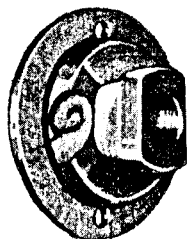
232030



250015



232002



232490

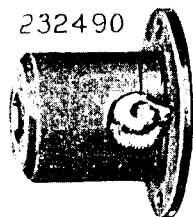
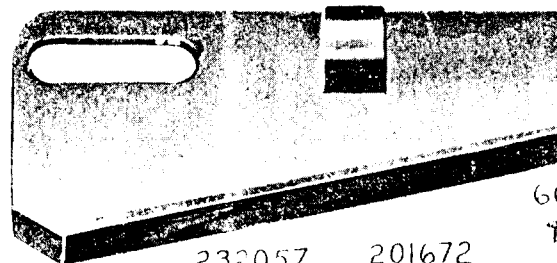


PLATE 13816—FULL SIZE

250039



662

232057



201468



201484



232513



200374



232817



201155



232056



232055



232054



232466



201672



200122



200530



201112



232065



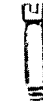
200



232064



201218



350105



PLATE 13817—FULL SIZE

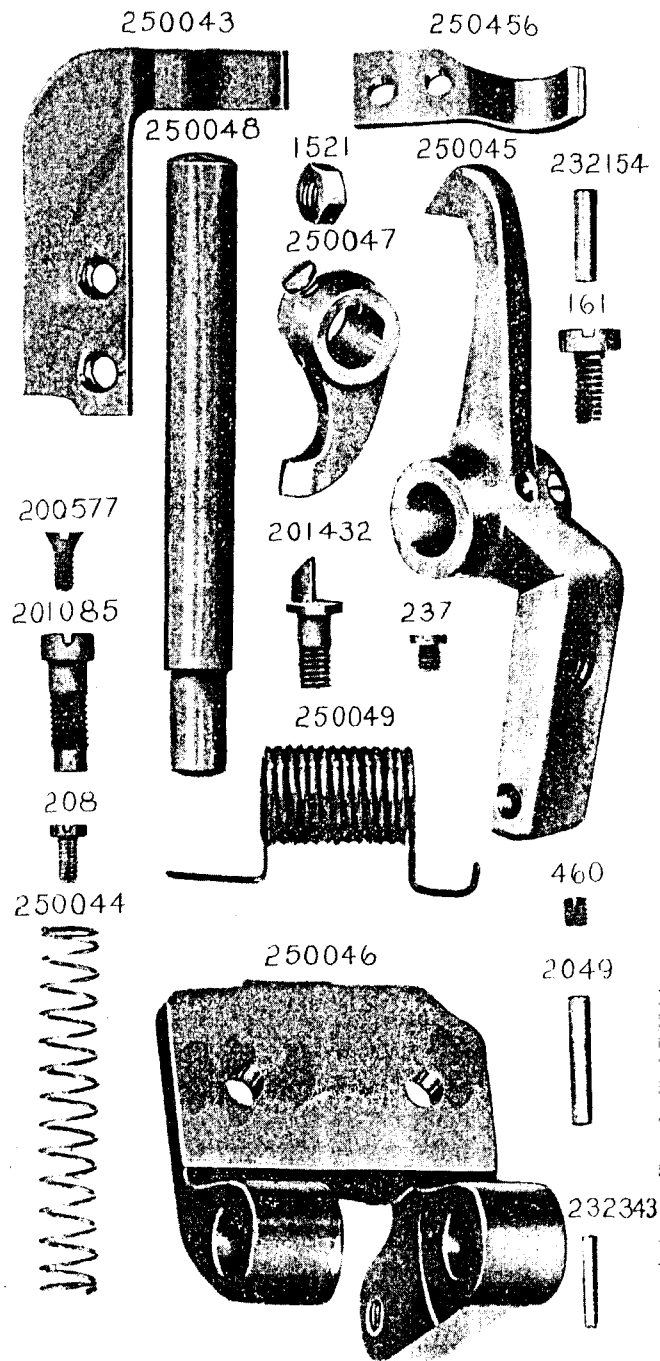


PLATE 13818—ONE-HALF SIZE

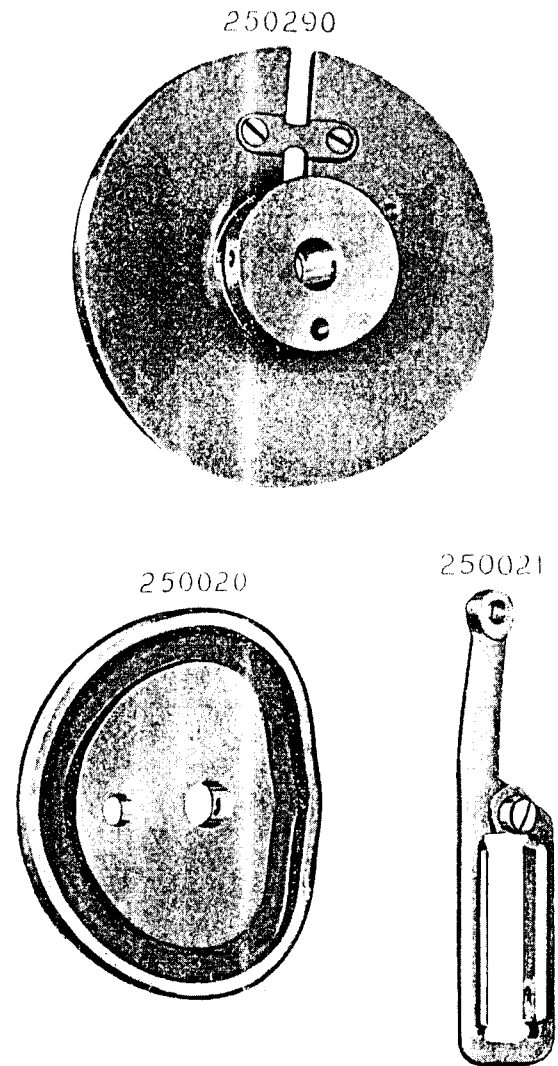


PLATE 13823—ONE-HALF SIZE

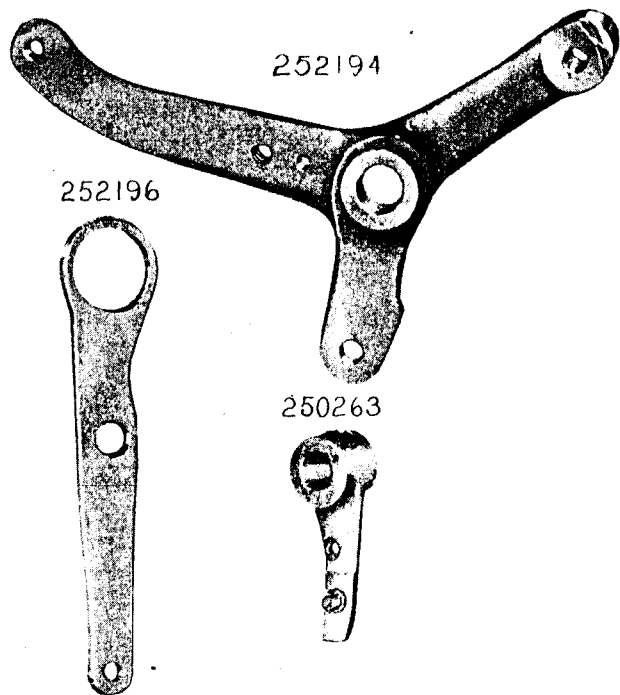


PLATE 13825—FULL SIZE

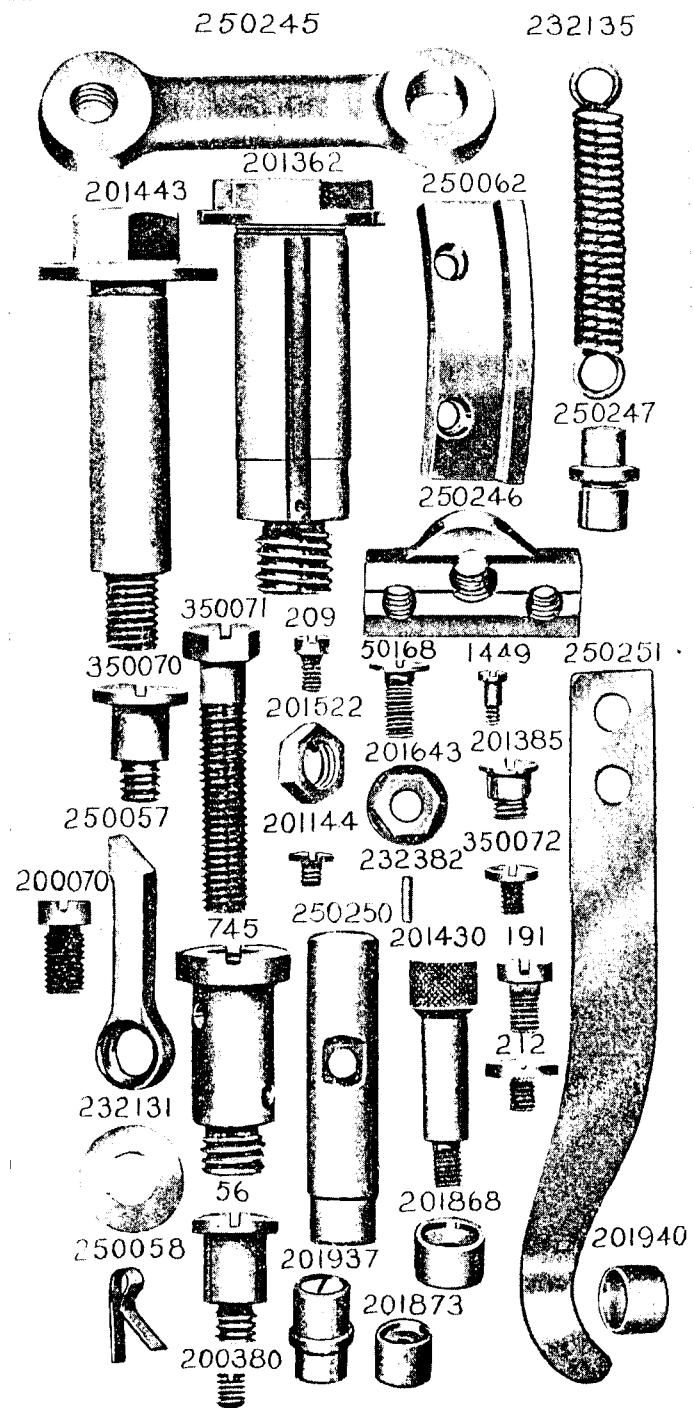
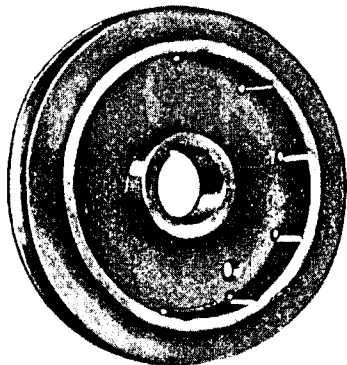
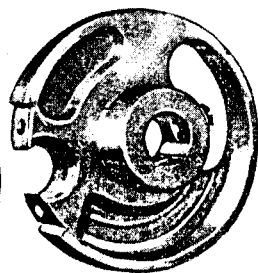


PLATE 13834—ONE-HALF SIZE

250050

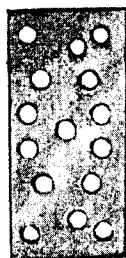


232110



— FULL SIZE —

232112



40025



200363

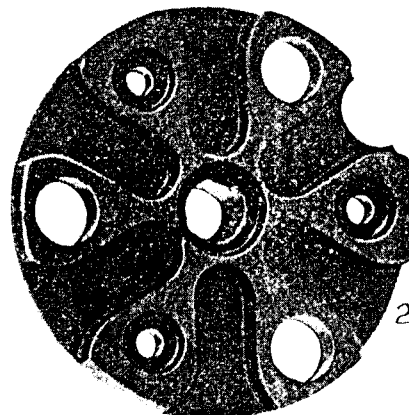


232113



PLATE 13839—FULL SIZE

250097



201435



201704



201898



176



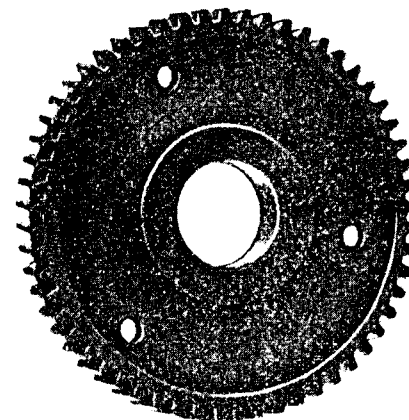
201144



250099



250098



250100
ONE-HALF SIZE

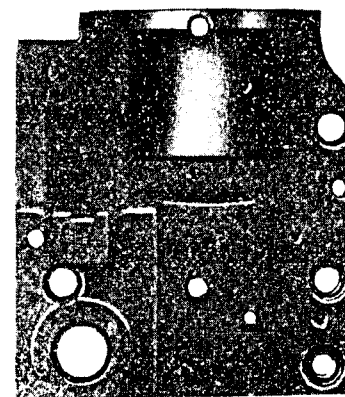


PLATE 13840—FULL SIZE

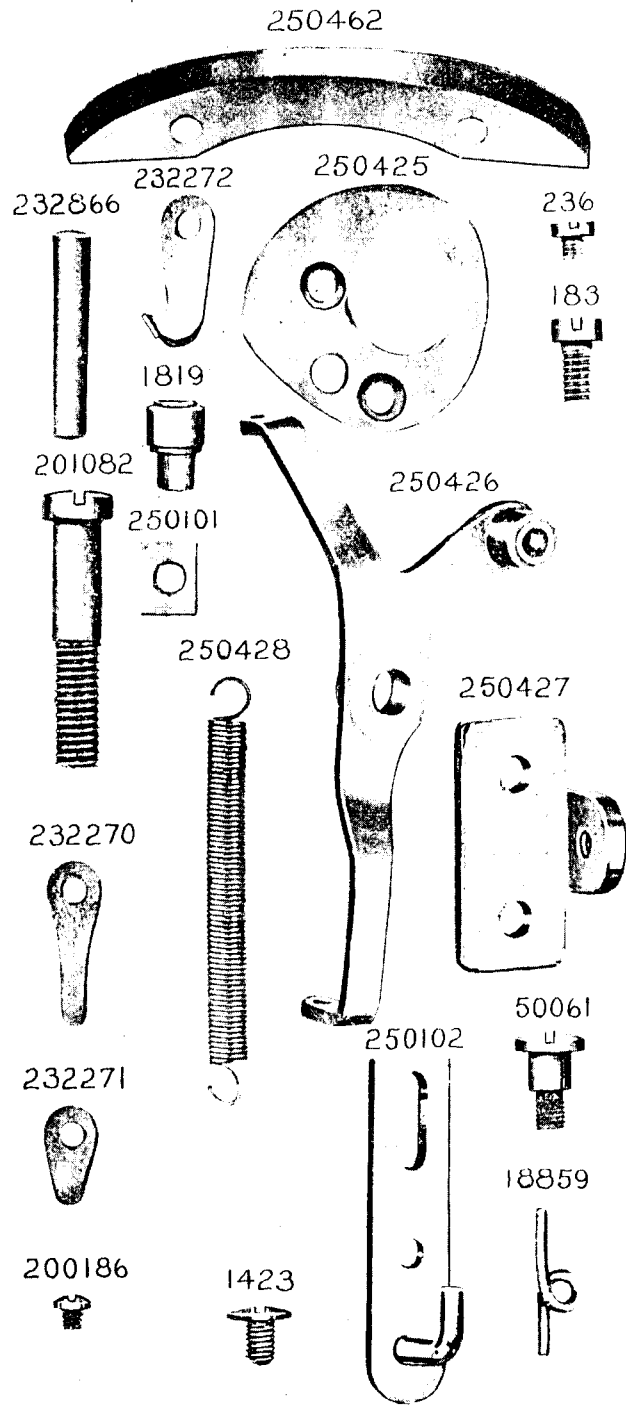


PLATE 13847—FULL SIZE

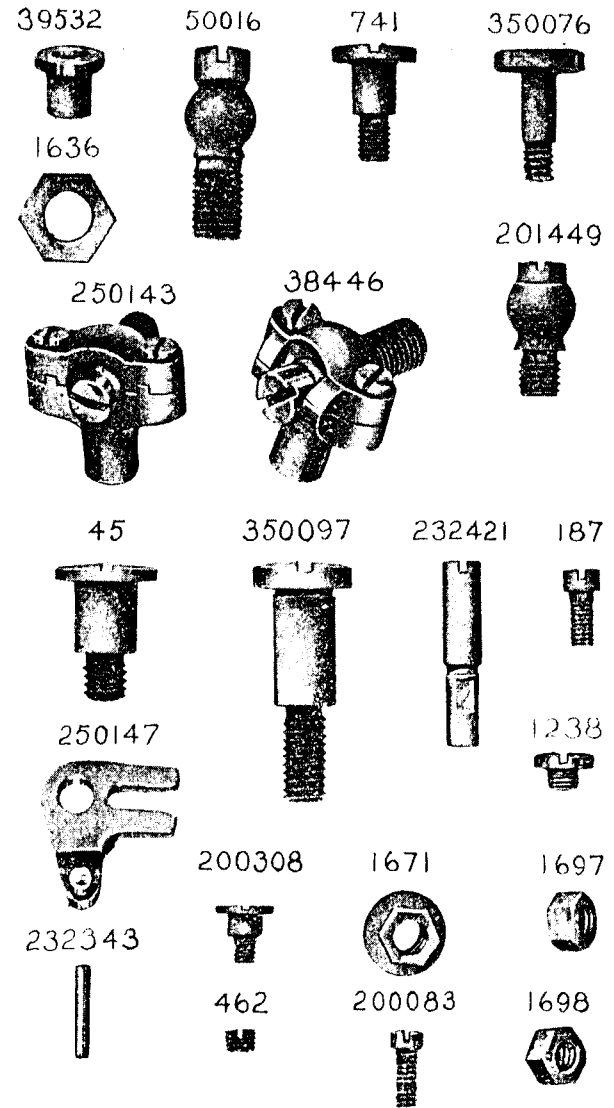
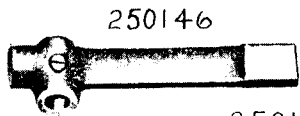
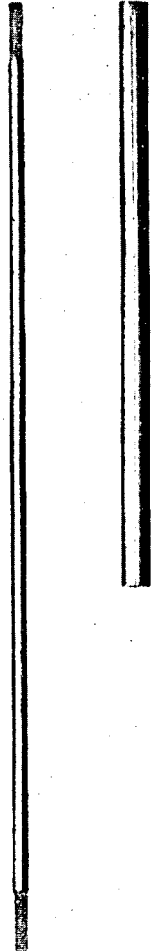


PLATE 13848—ONE-HALF SIZE

250142 250145



250144



250140



250141



232420

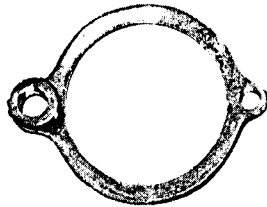
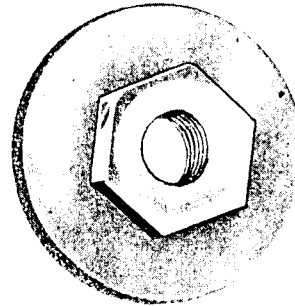


PLATE 13849—FULL SIZE

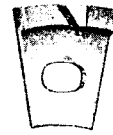
201668



250148



250372



203



211



250444



391



250443



647



145



40025



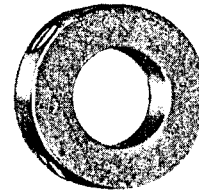
168



453



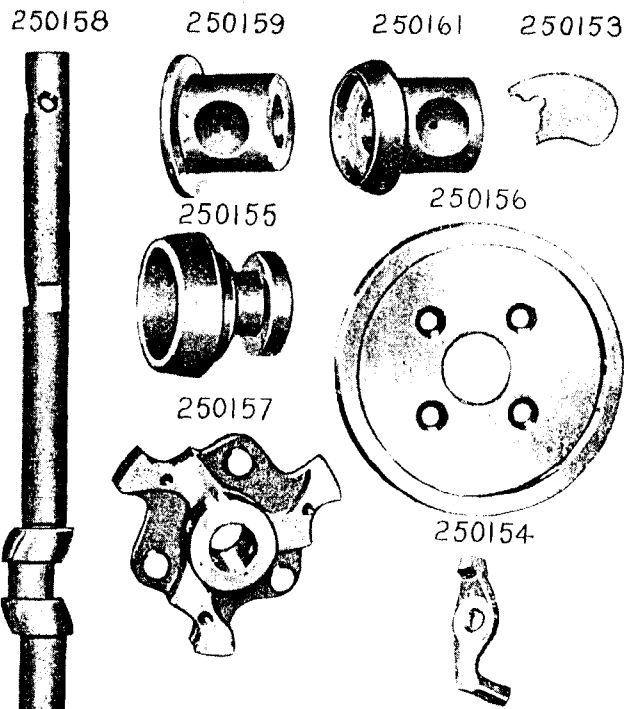
232600



175



PLATE 13851—ONE-HALF SIZE



FULL SIZE

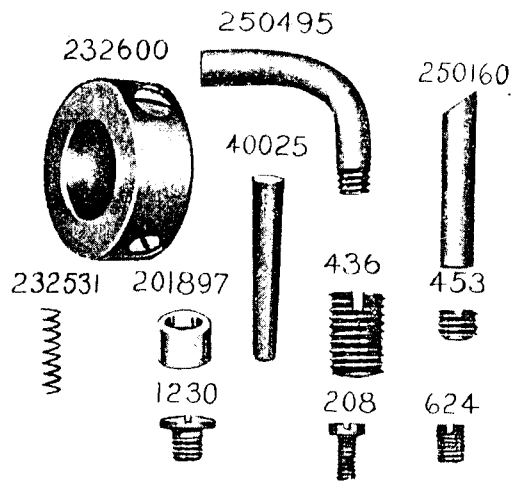


PLATE 13852—ONE-HALF SIZE

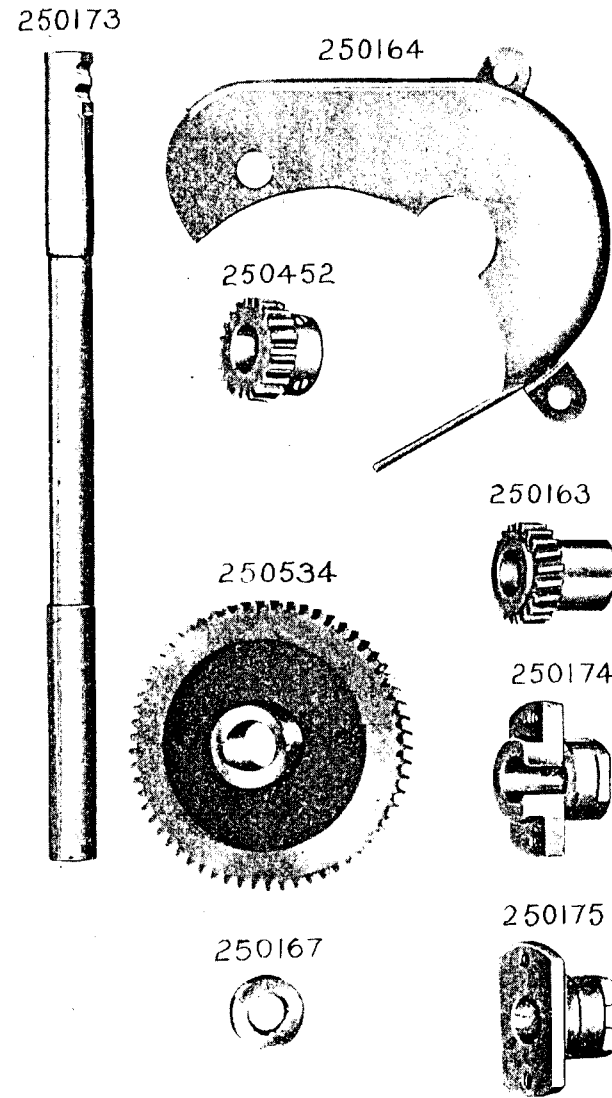


PLATE 13854-FULL SIZE

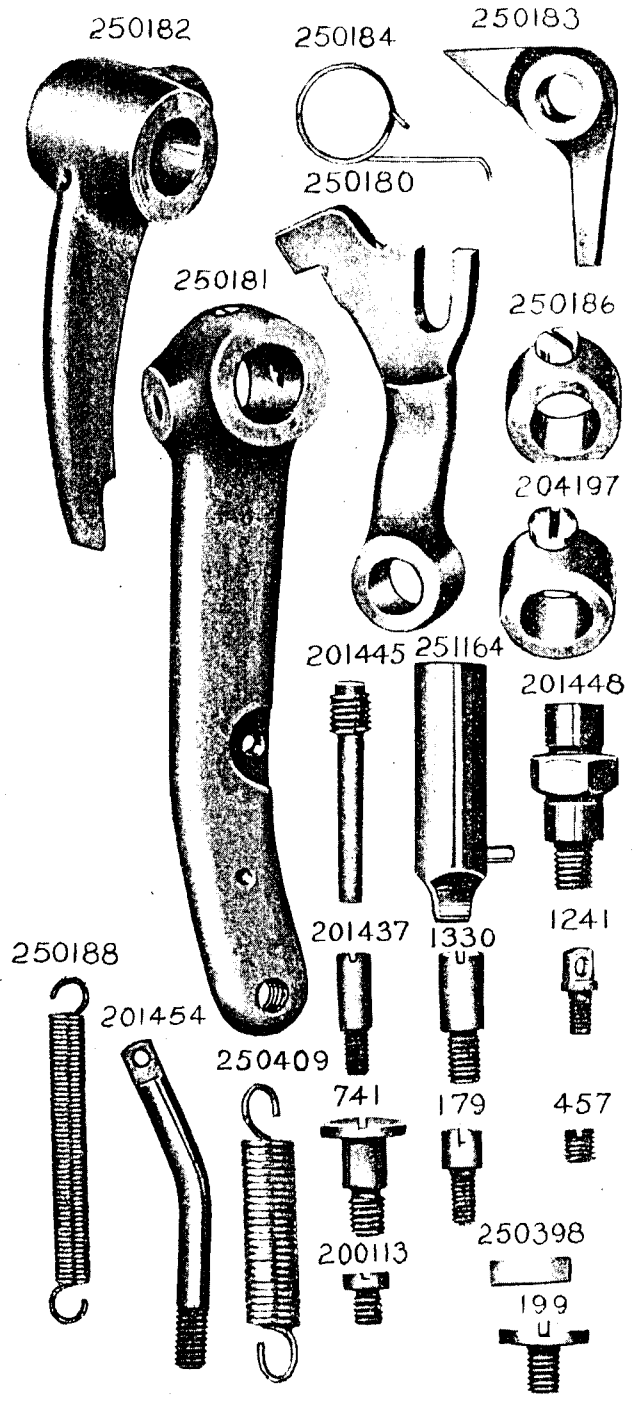


PLATE 13856-FULL SIZE

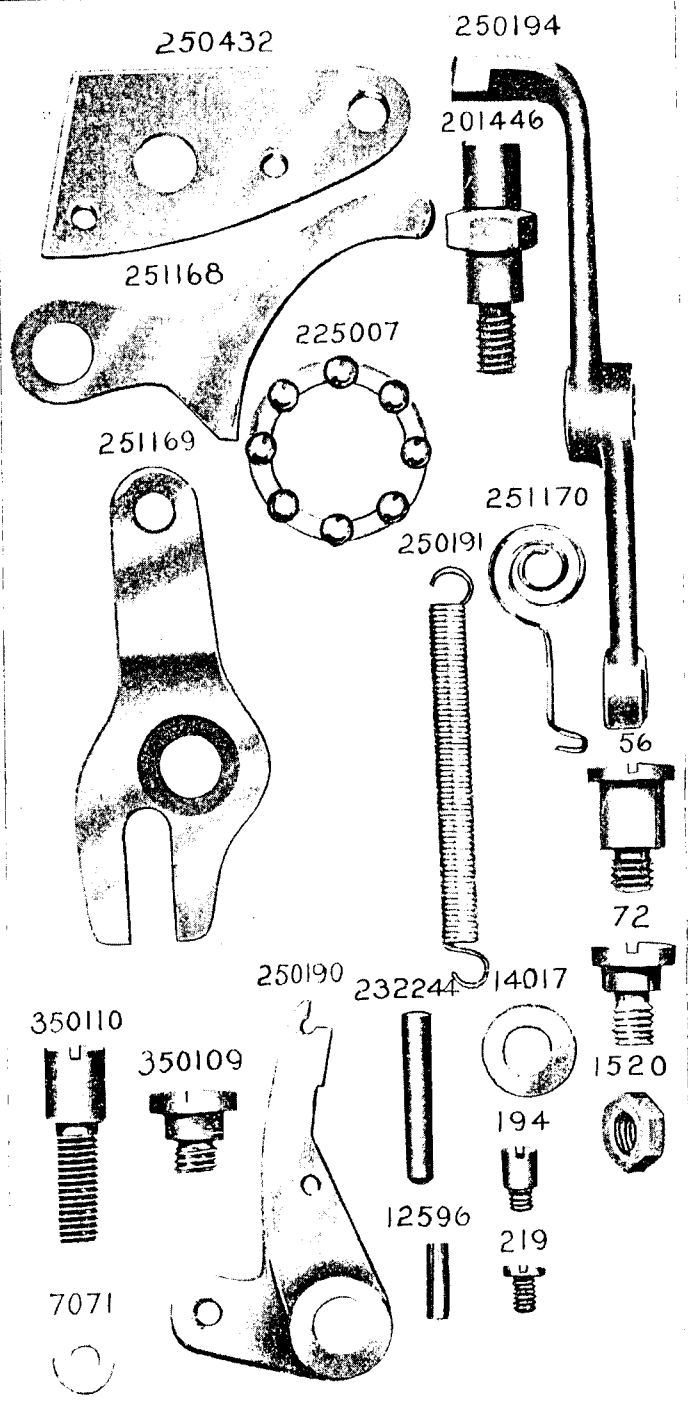


PLATE 13857—FULL SIZE

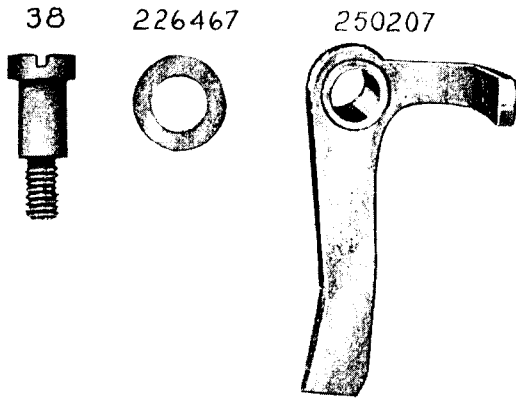


PLATE 13858—ONE-HALF SIZE

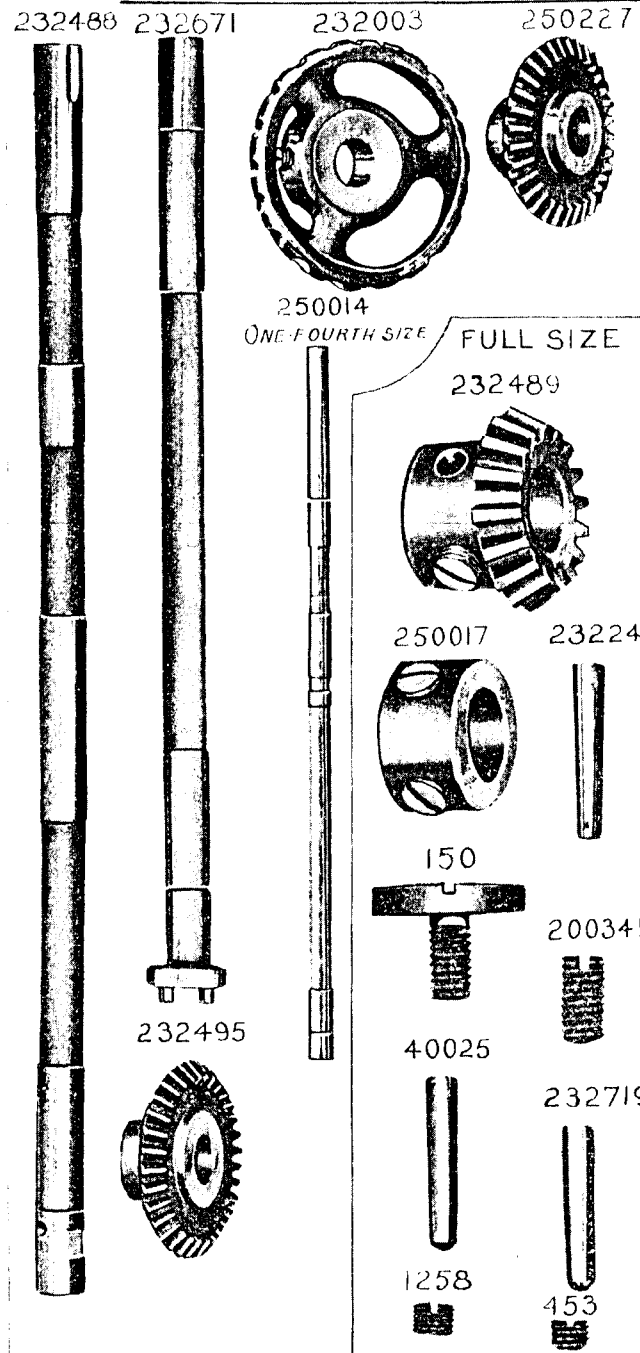


PLATE 13860—FULL SIZE

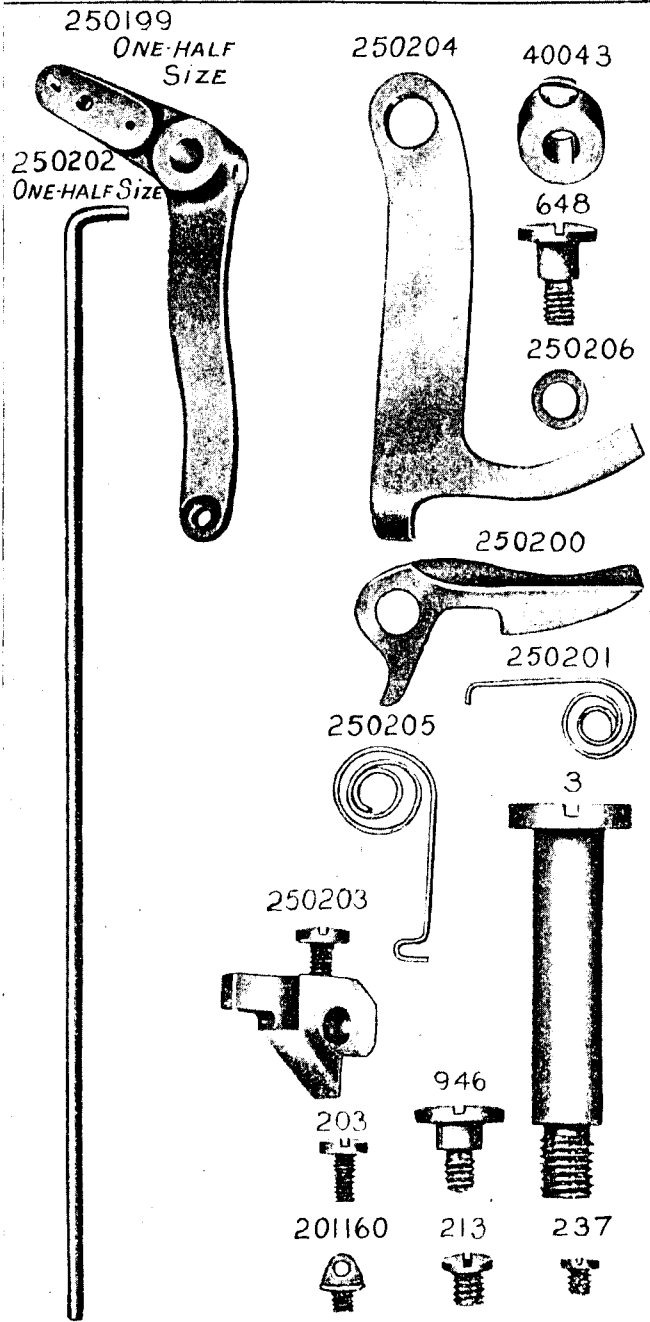


PLATE 13861—ONE-HALF SIZE

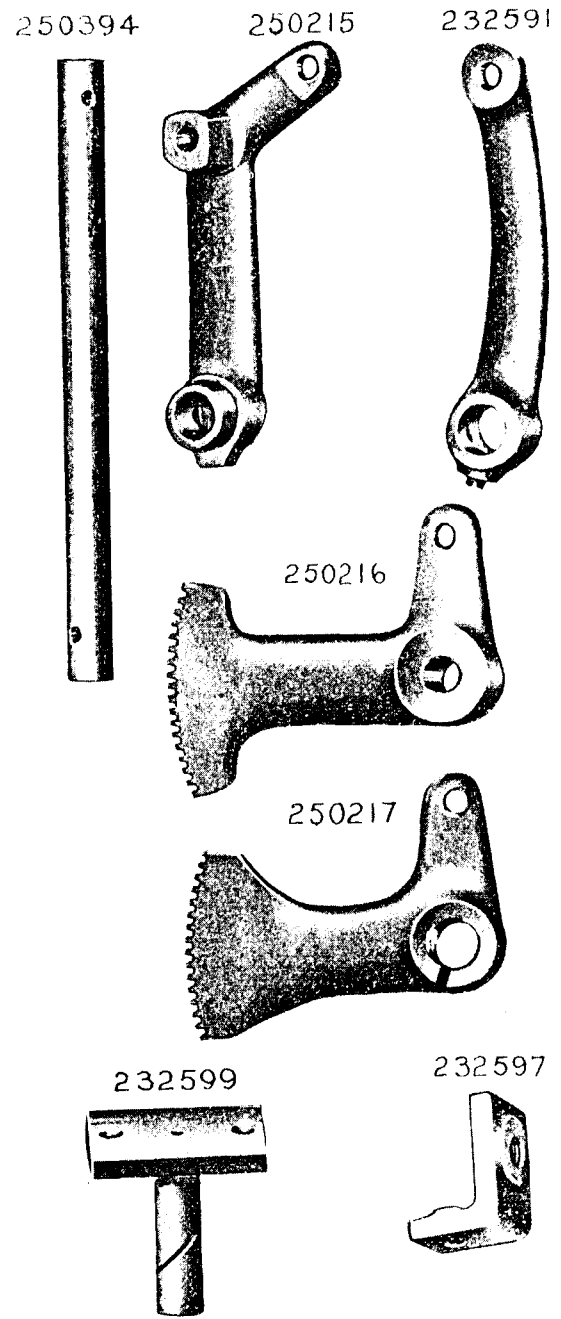


PLATE 13862—FULL SIZE

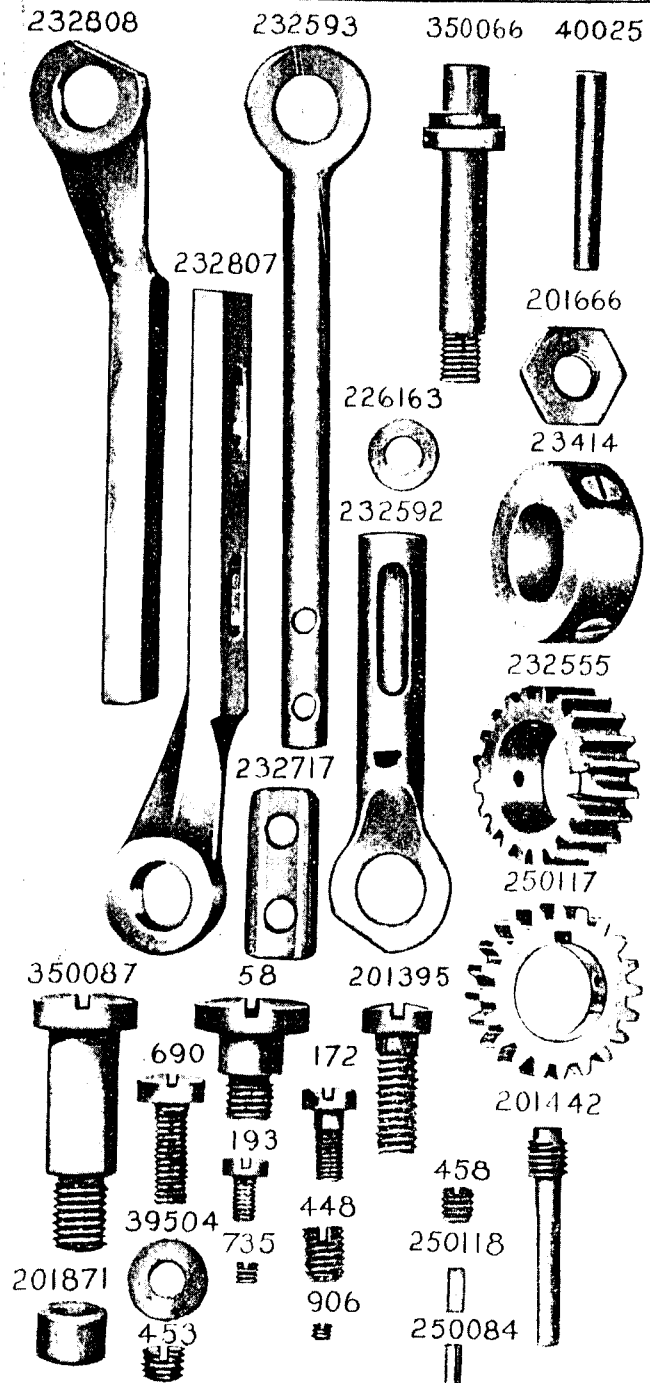


PLATE 13863—ONE-HALF SIZE

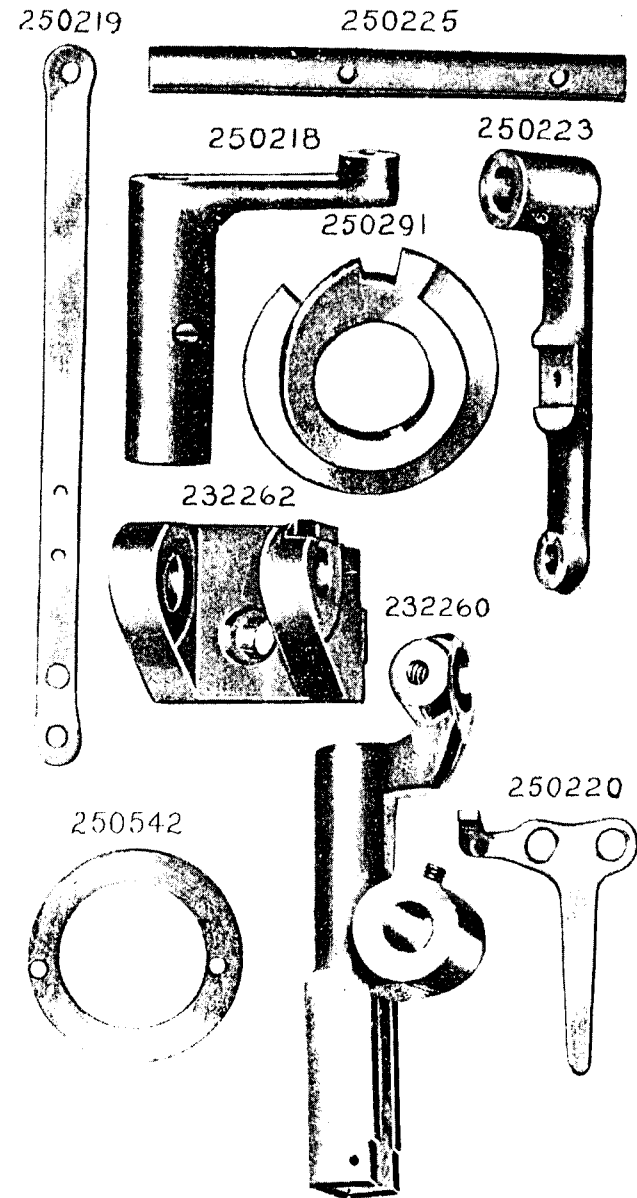


PLATE 13864—FULL SIZE

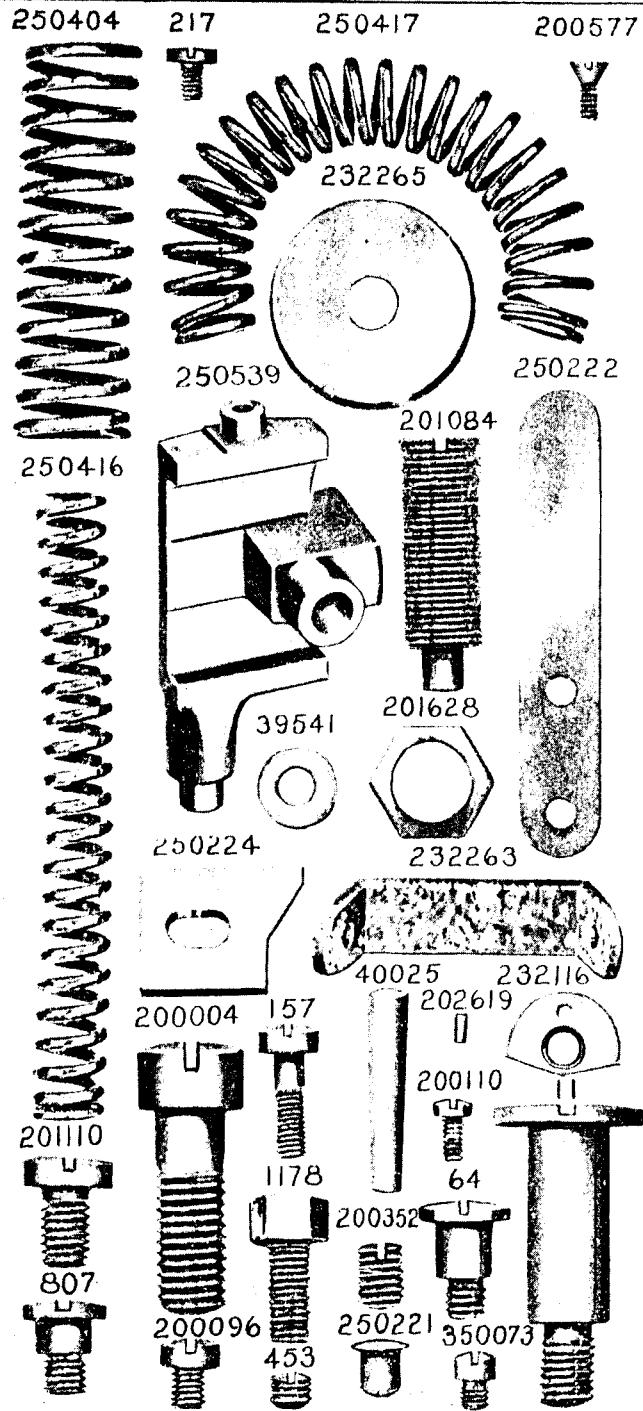


PLATE 13865—ONE-FOURTH SIZE

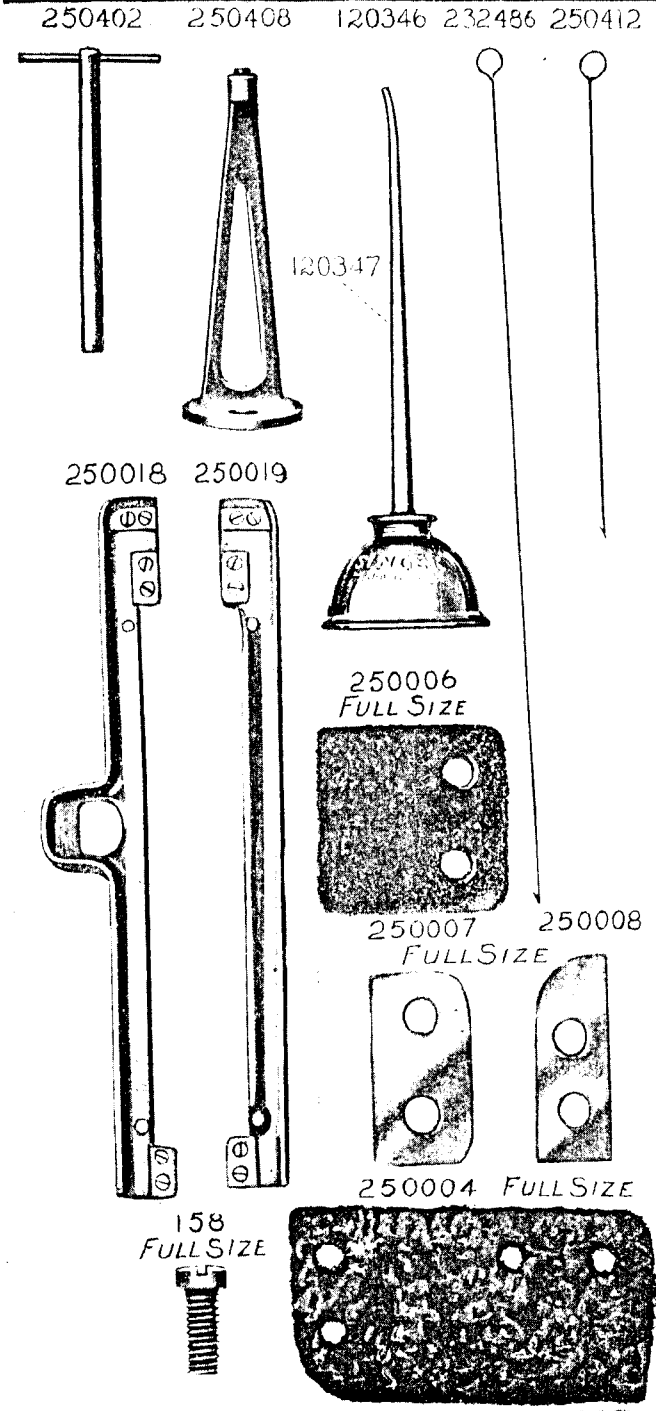


PLATE 13866—ONE-HALF SIZE

11831



23535



225498 250522



8909



232935



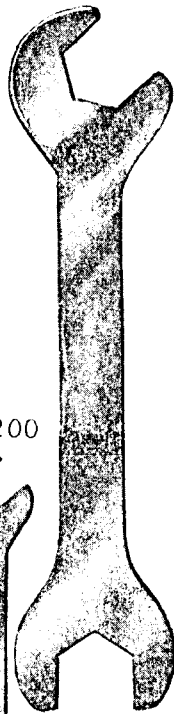
25200



42850



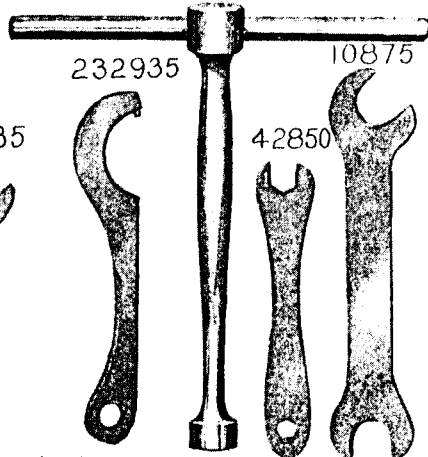
232900



255513



250289



10875

PLATE 13869—ONE-HALF SIZE

228584



228586

228569



228595

228593



228579



18897



228580



18898



228571



PLATE 13870—ONE-SIXTH SIZE

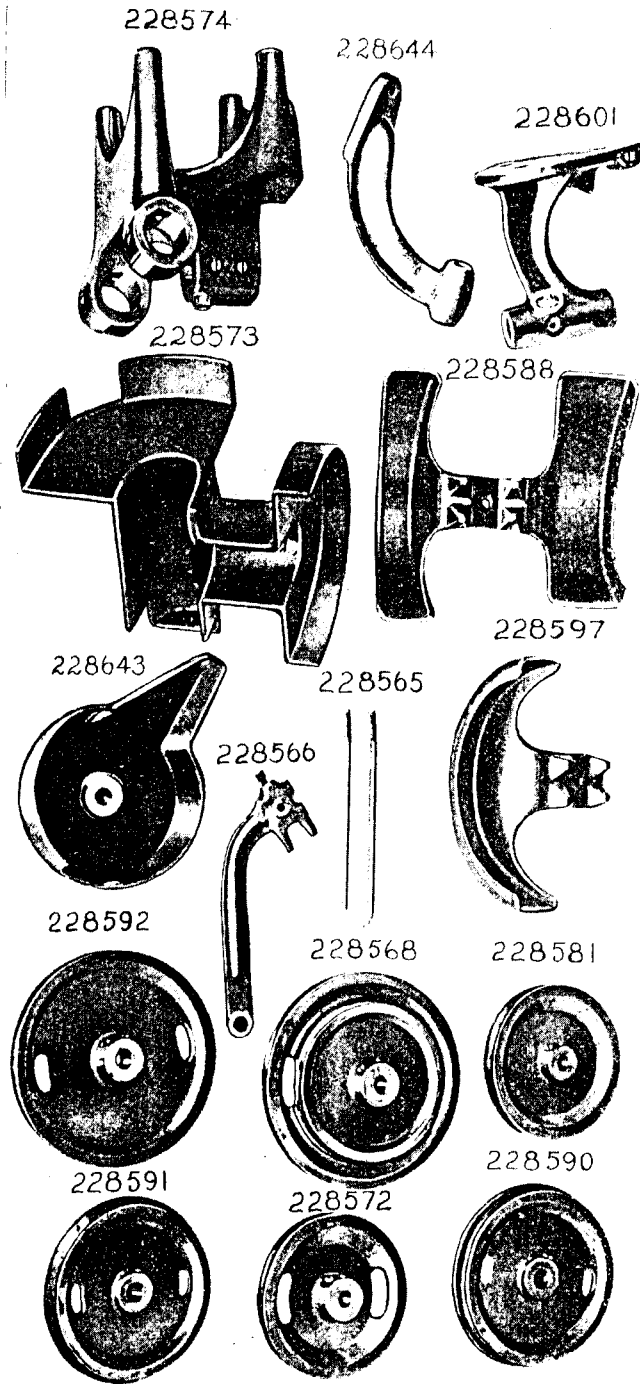


PLATE 13871—FULL SIZE

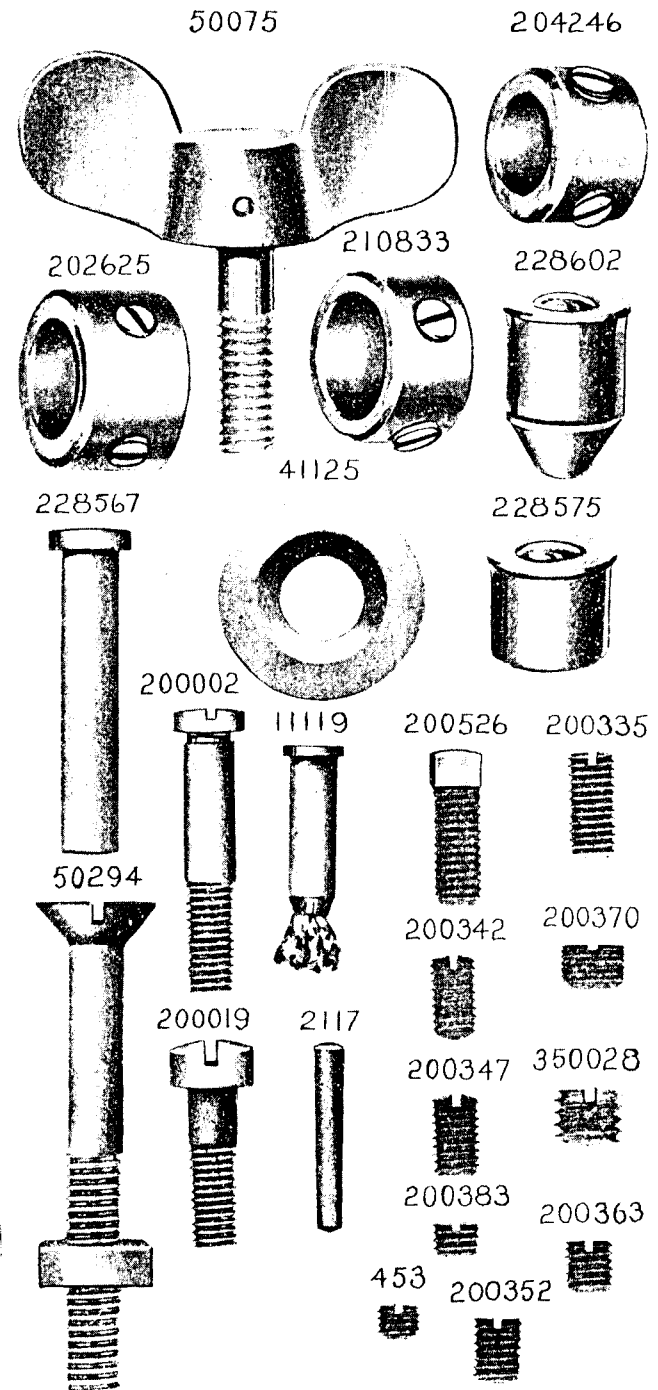
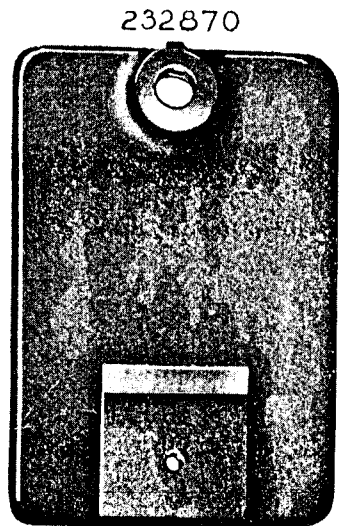
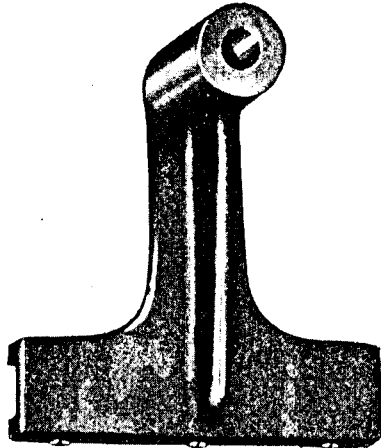


PLATE 13874—ONE-HALF SIZE



232870



232874



232873



232877

232876



232872



59
FULL SIZE



448
FULL SIZE



PLATE 13883—FULL SIZE

250022



40025



200364



50031



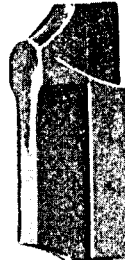
1698



39541



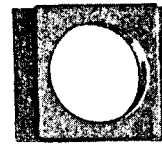
251109



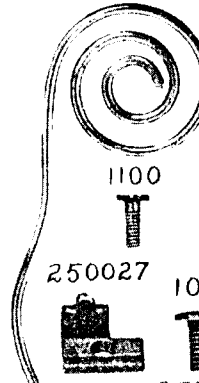
1454



232038



232044



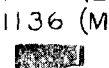
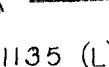
1100



250027



251135 (L)
251136 (M)



350111



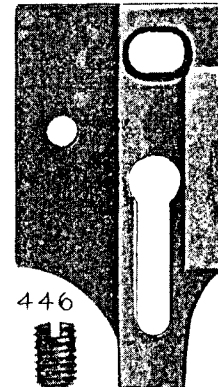
232043



232724



250474



446



201474



250475



250468



1281



990



201892



201366



201524



200051



228026



232150



PLATE 13891—FULL SIZE

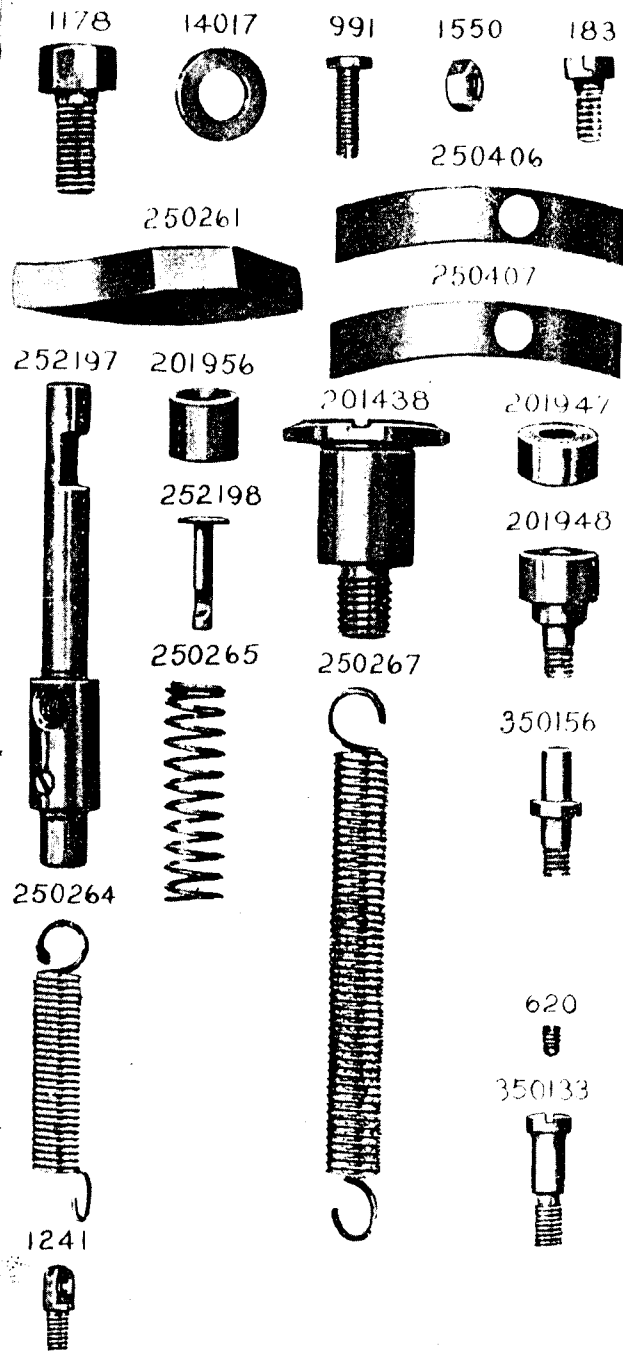


PLATE 13893—ONE-HALF SIZE

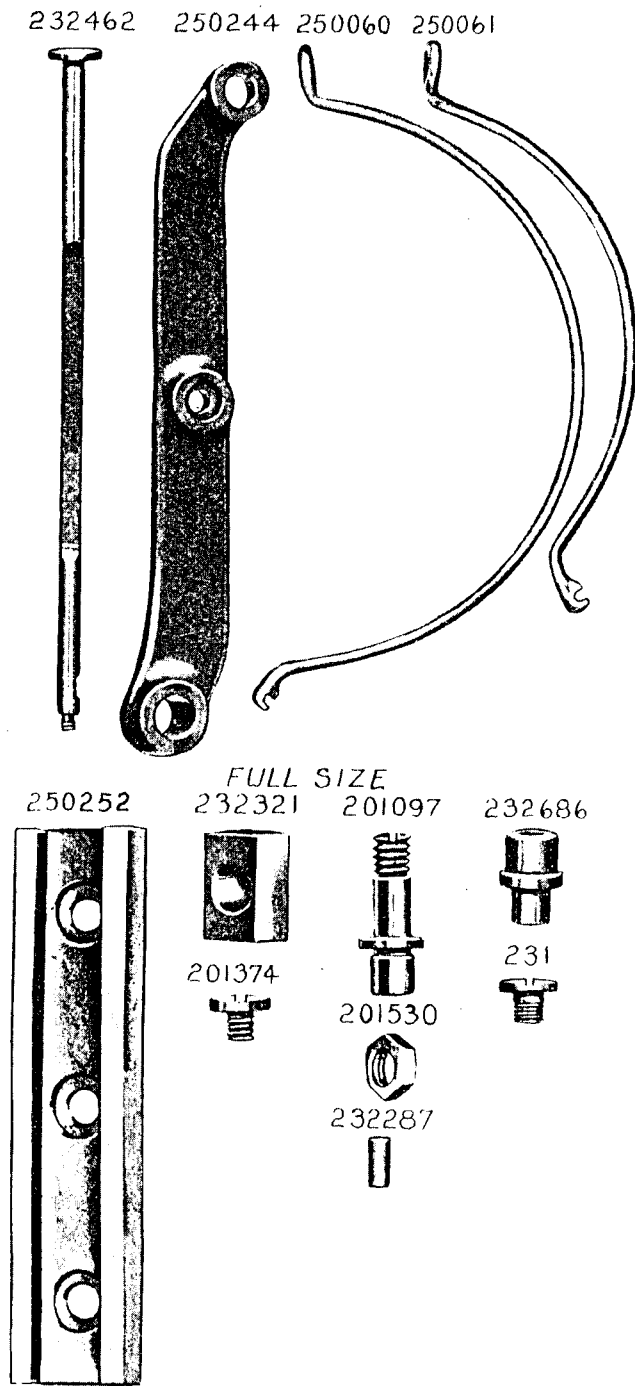
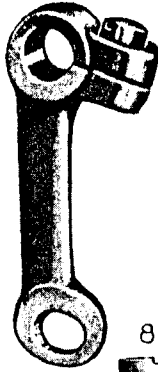


PLATE 13895—FULL SIZE

201439



250274

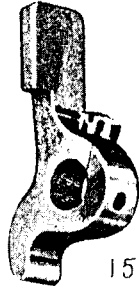


2269



807

250551



1819



1241



250275



1528



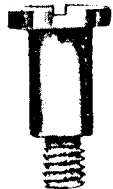
808



207



659



1253

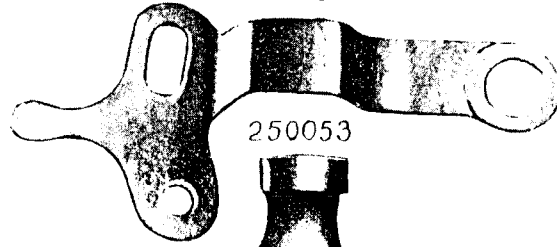


232200



PLATE 13898—ONE-HALF SIZE

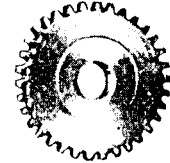
250052



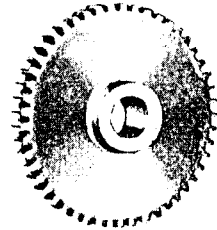
250053



232521



250054



250395
ONE-FOURTH SIZE

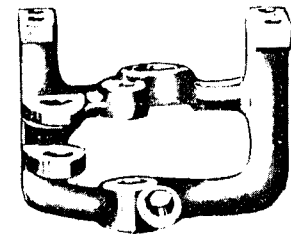


PLATE 13899—FULL SIZE

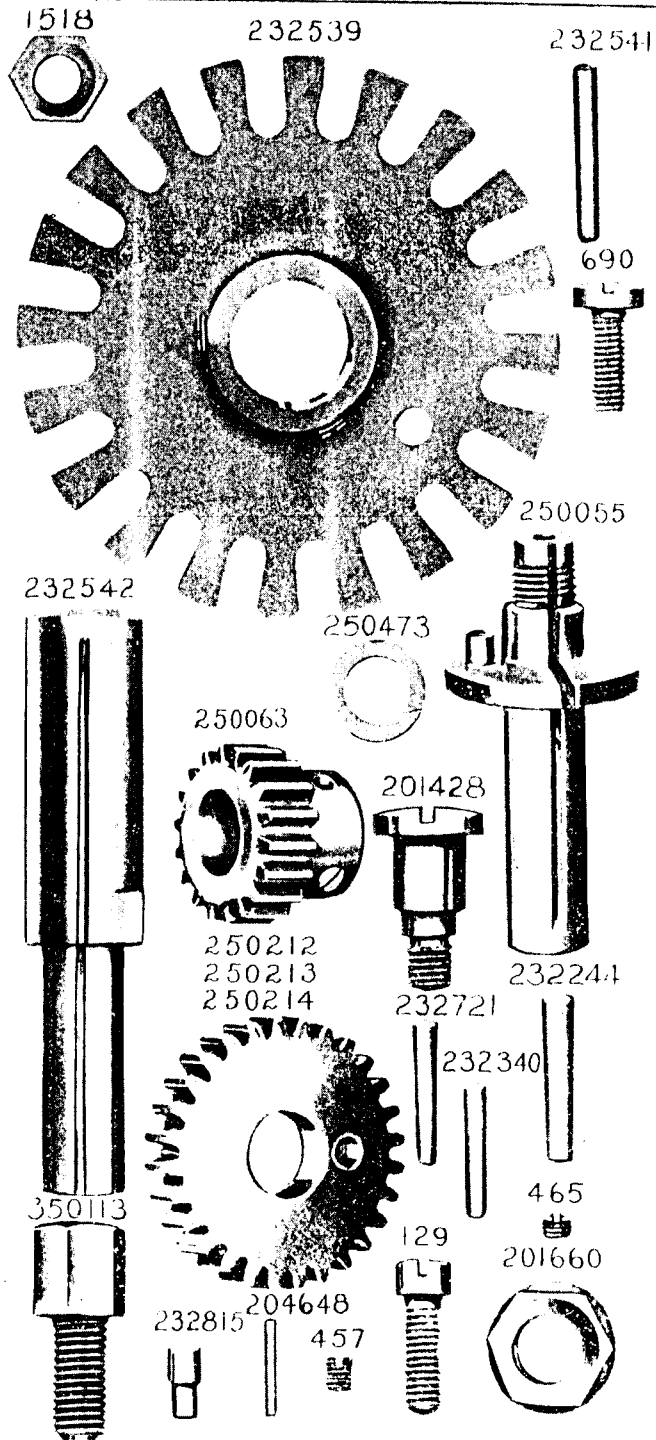


PLATE 13900—FULL SIZE

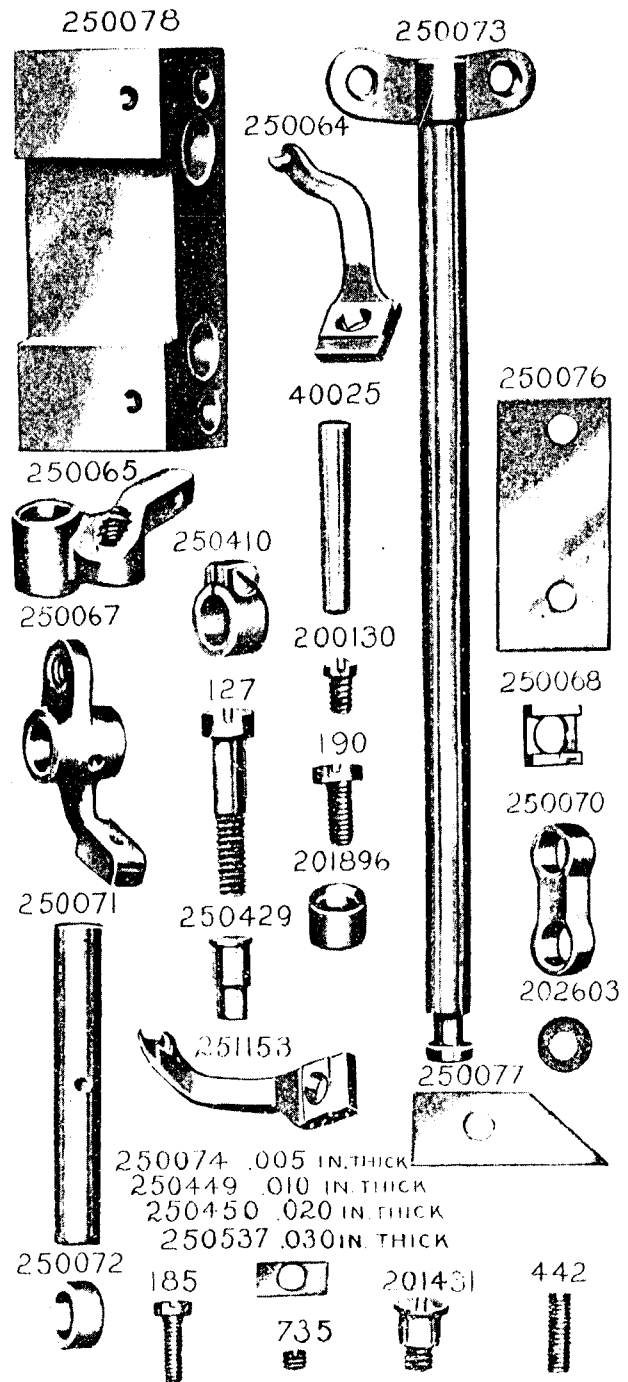


PLATE 13901—FULL SIZE

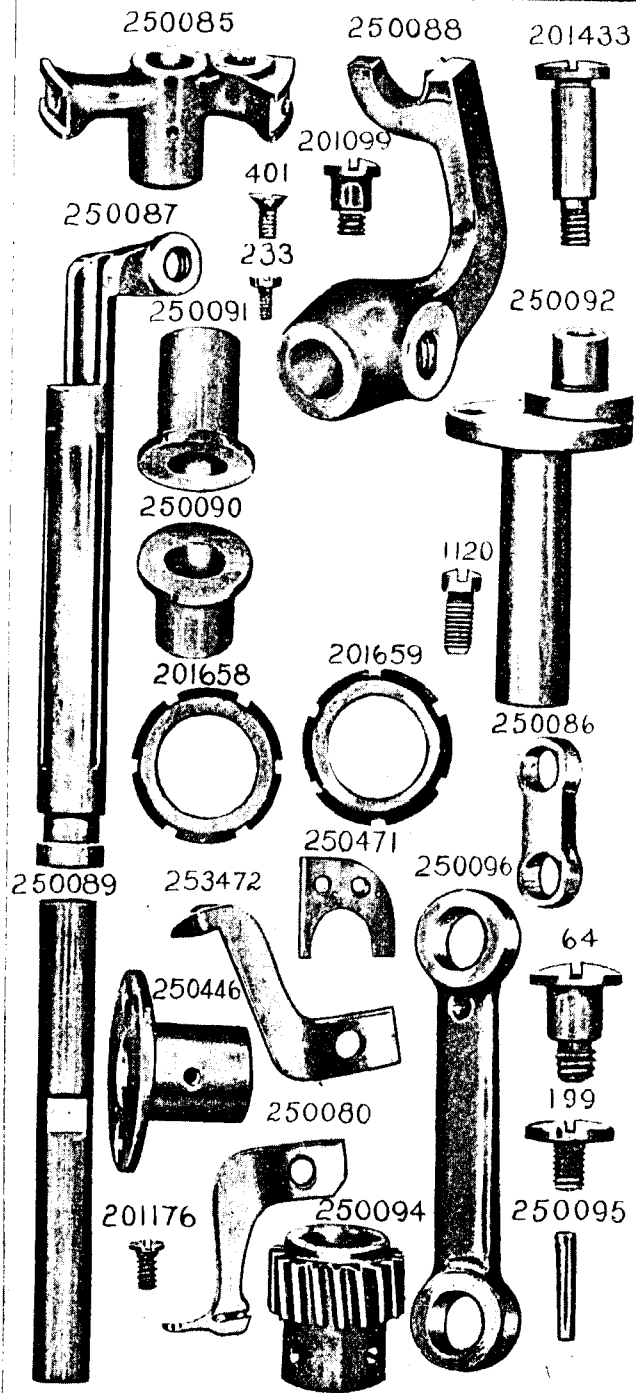


PLATE 13902—FULL SIZE

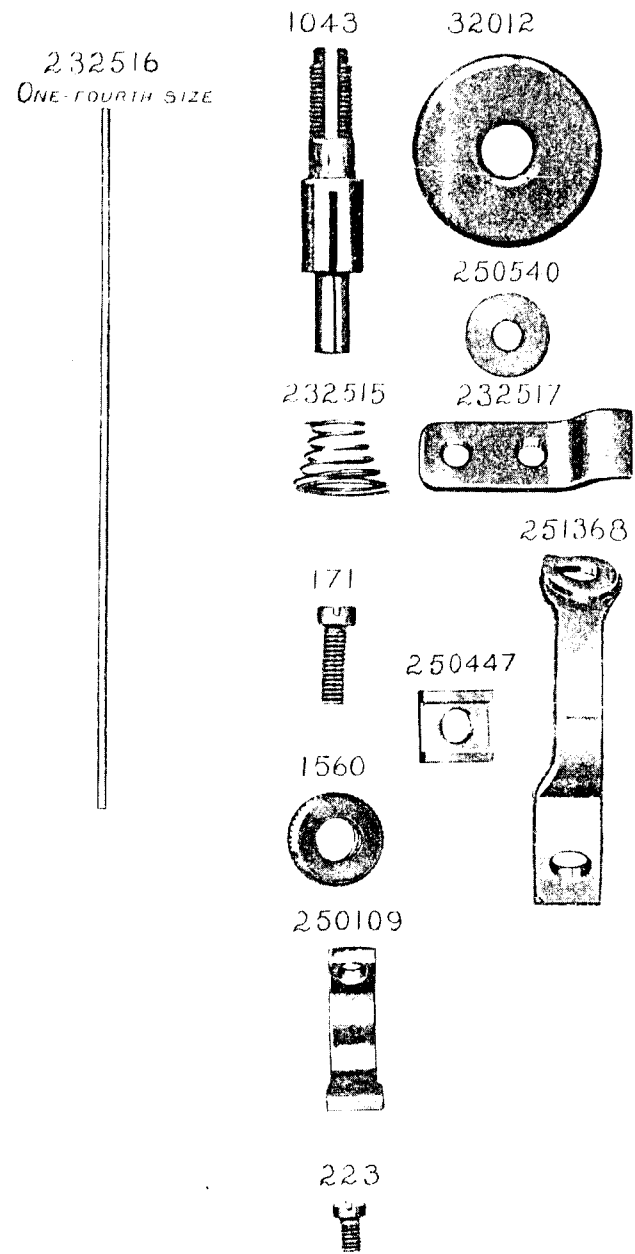


PLATE 13903—FULL SIZE

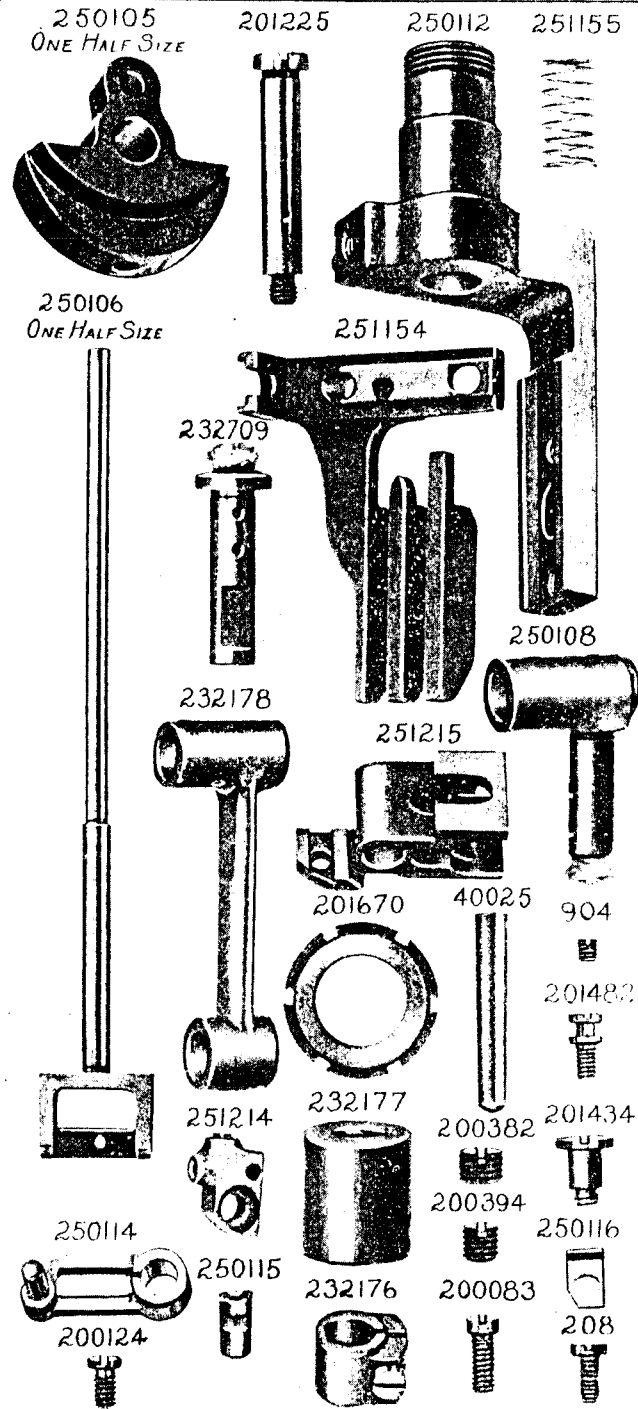


PLATE 13909—FULL SIZE

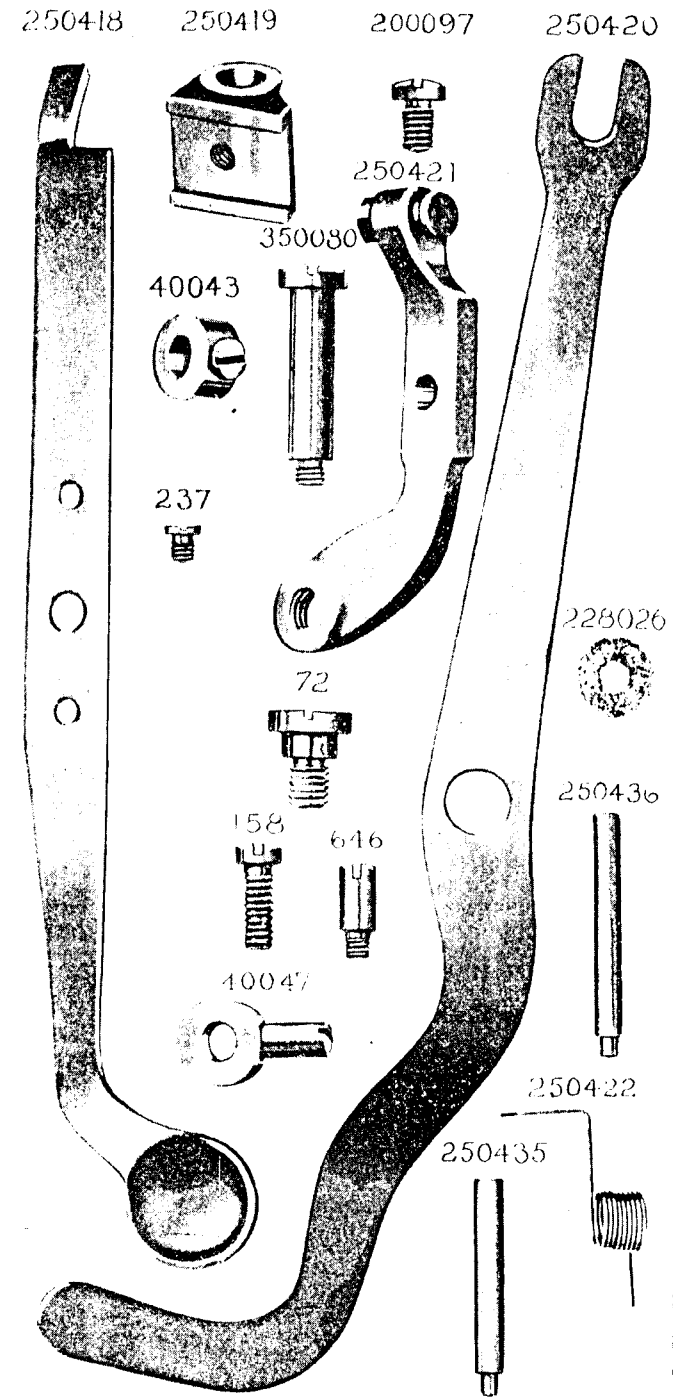


PLATE 13926—ONE-FOURTH SIZE

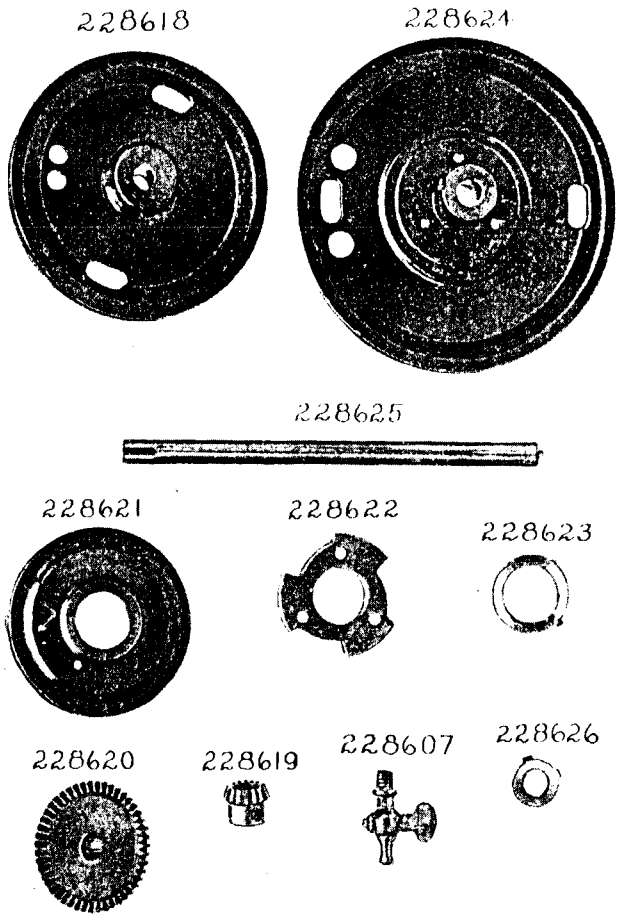


PLATE 13932—ONE-HALF SIZE

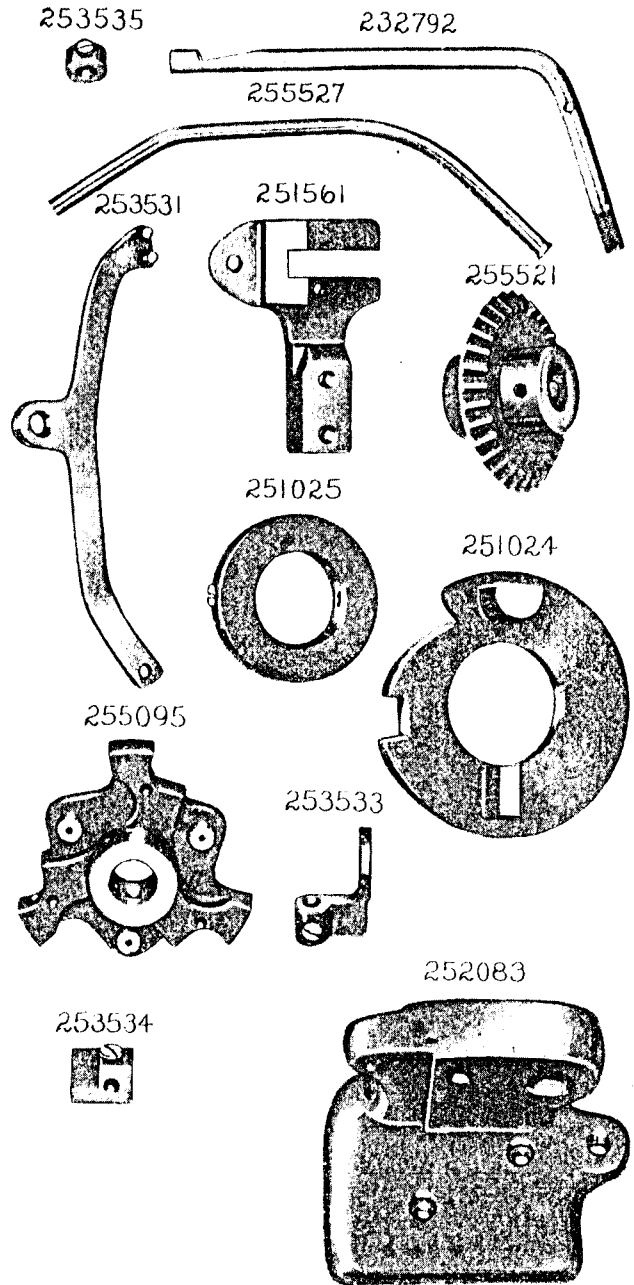


PLATE 13933—ONE-FOURTH SIZE

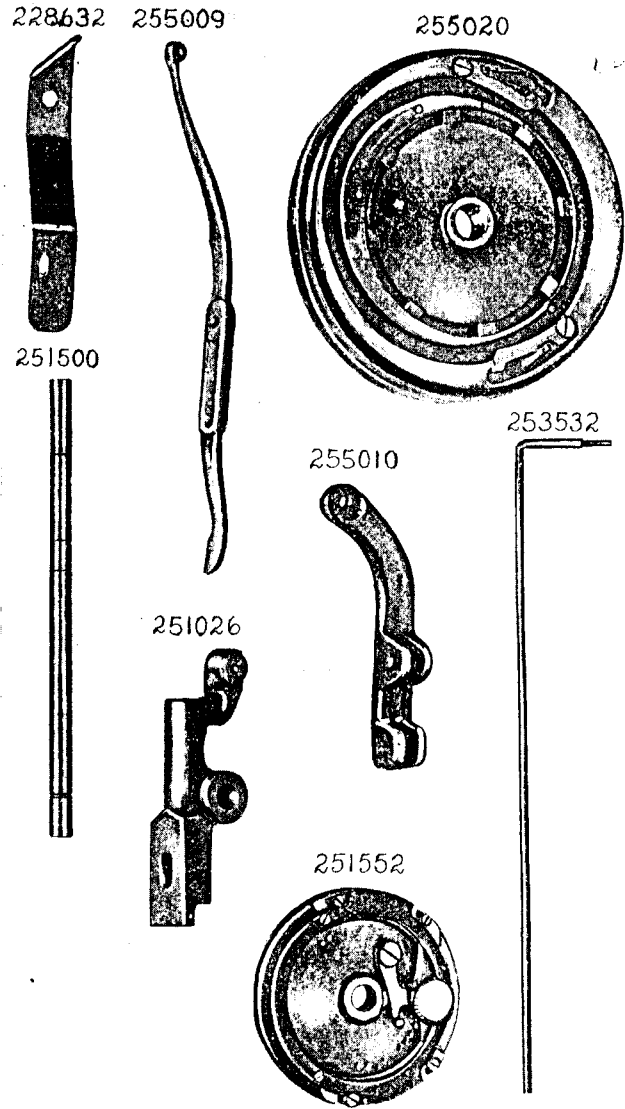


PLATE 13934—FULL SIZE

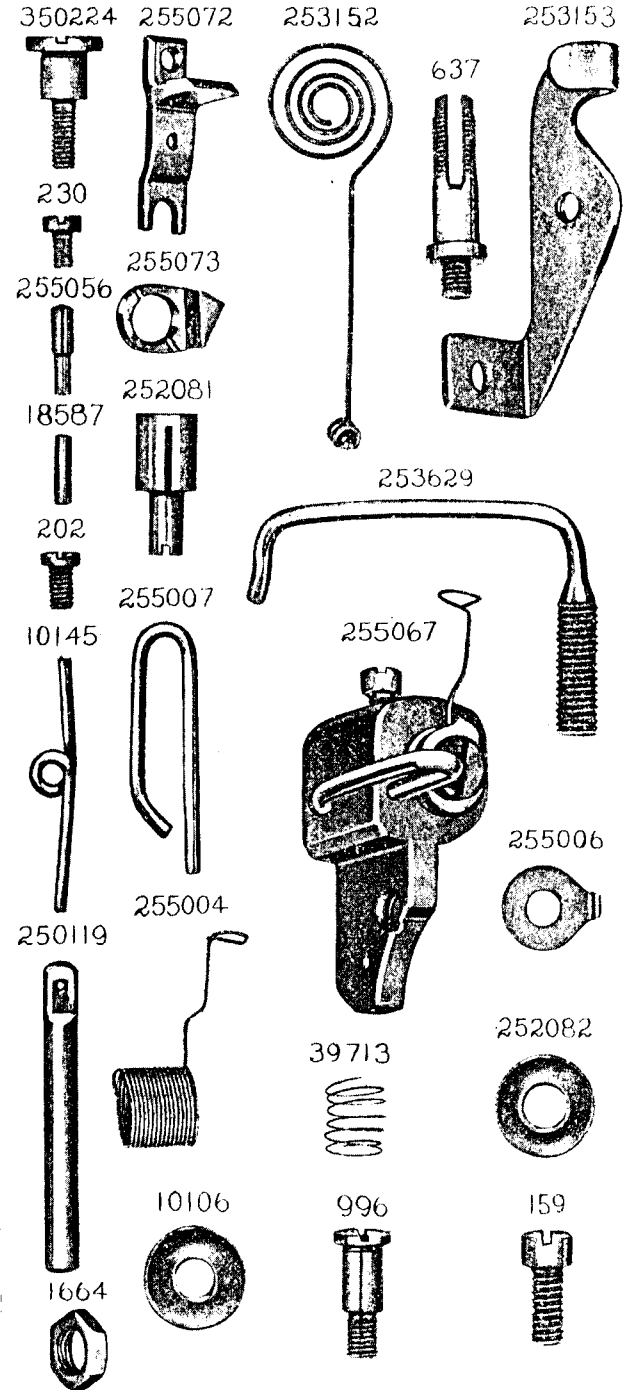


PLATE 13935—ONE-HALF SIZE

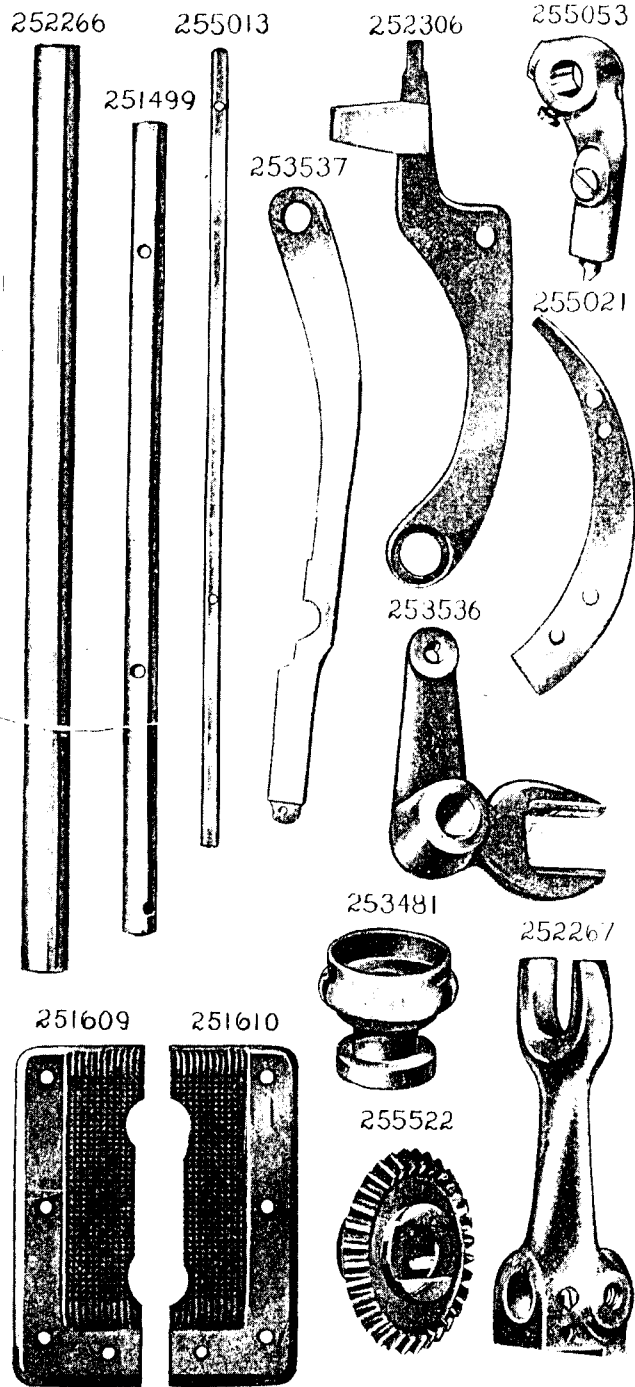


PLATE 13936—FULL SIZE

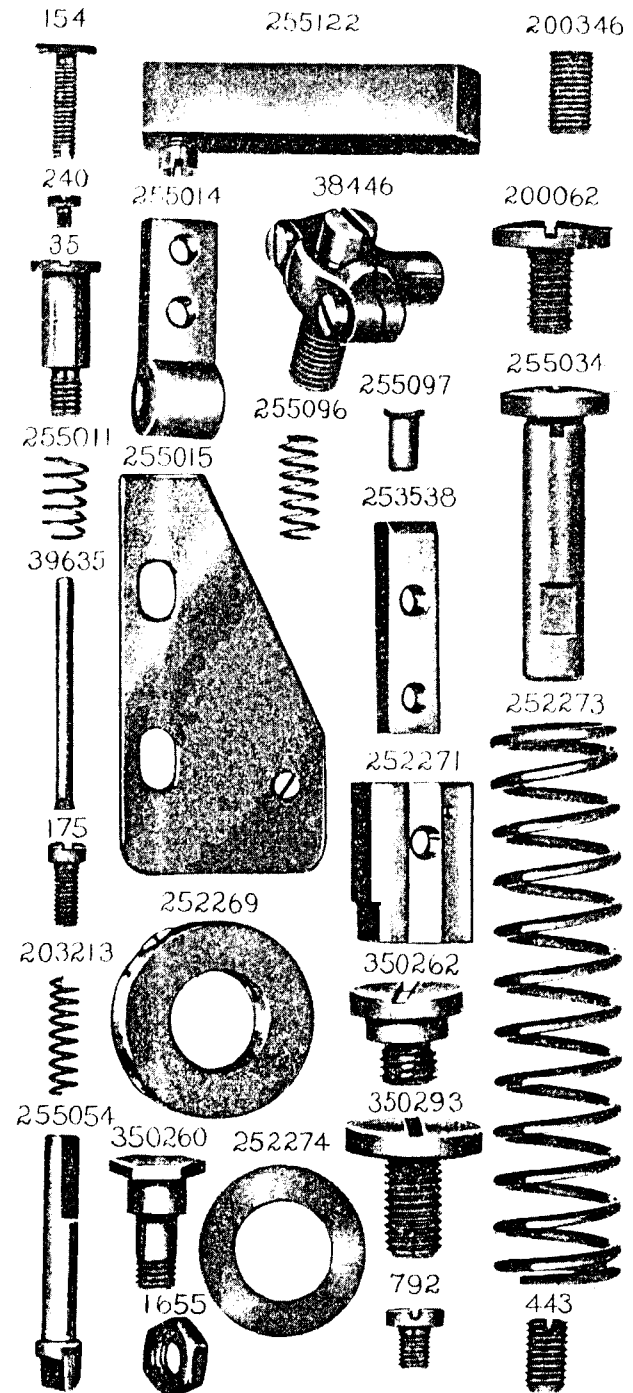


PLATE 13937—FULL SIZE

250599 250600 250552 250528

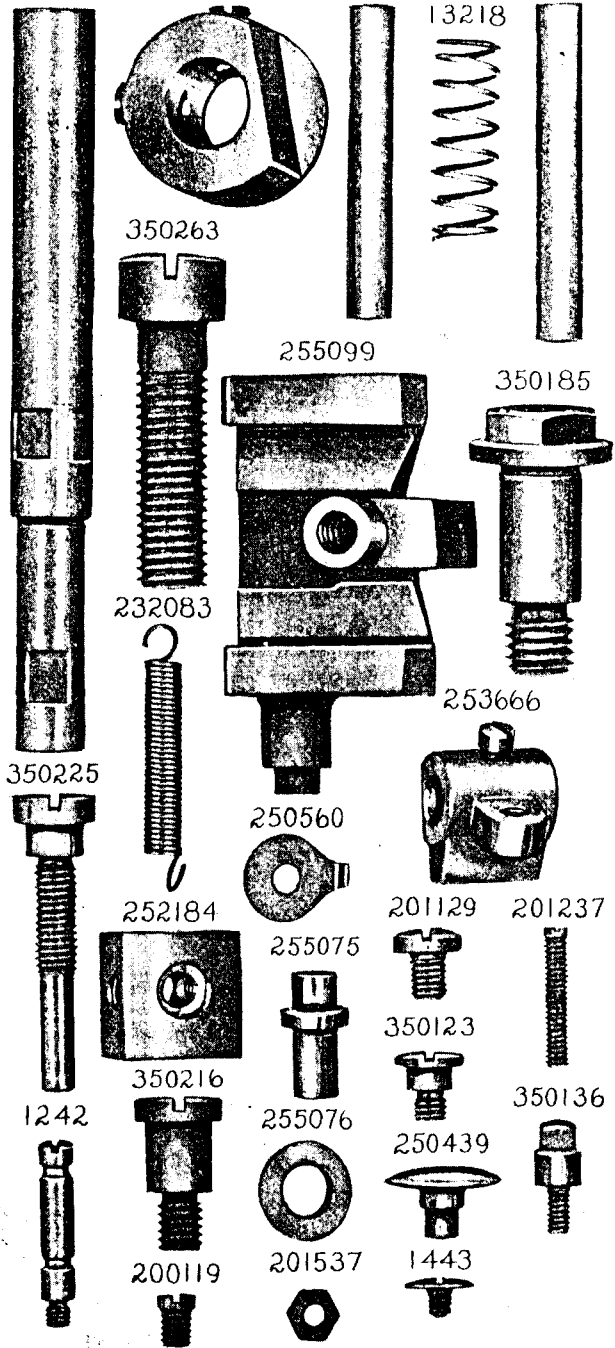


PLATE 13938—FULL SIZE

255082 255061 250597 350198

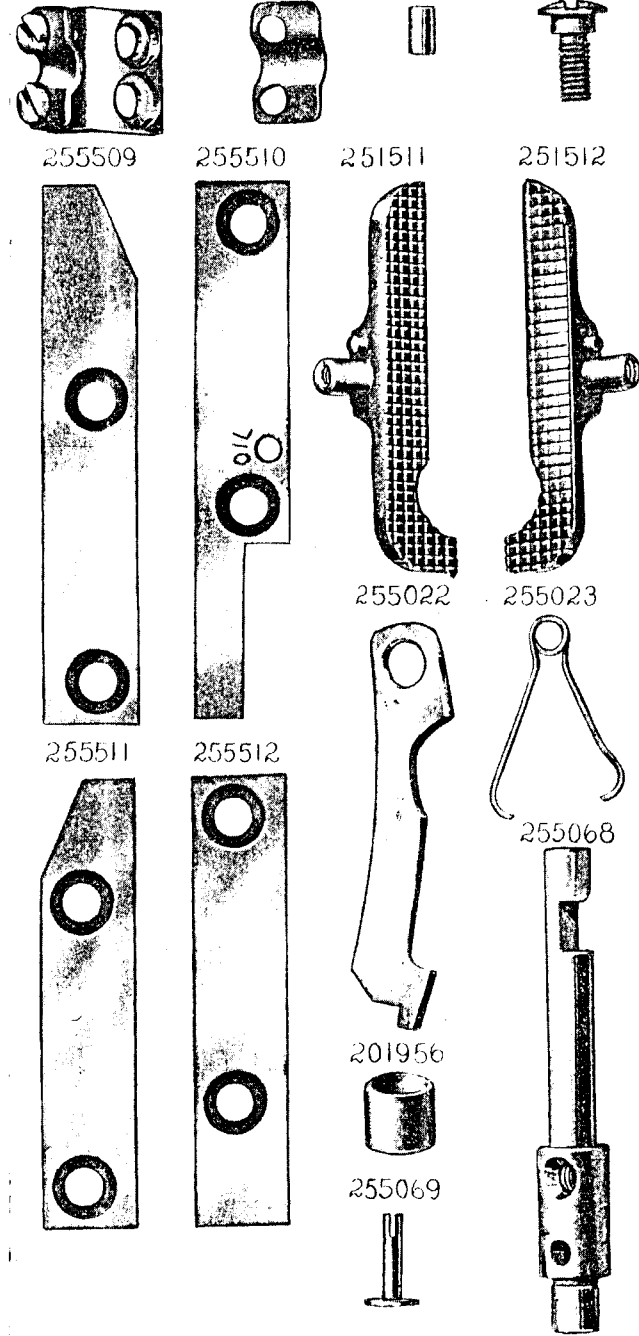


PLATE 13944—ONE-FOURTH SIZE

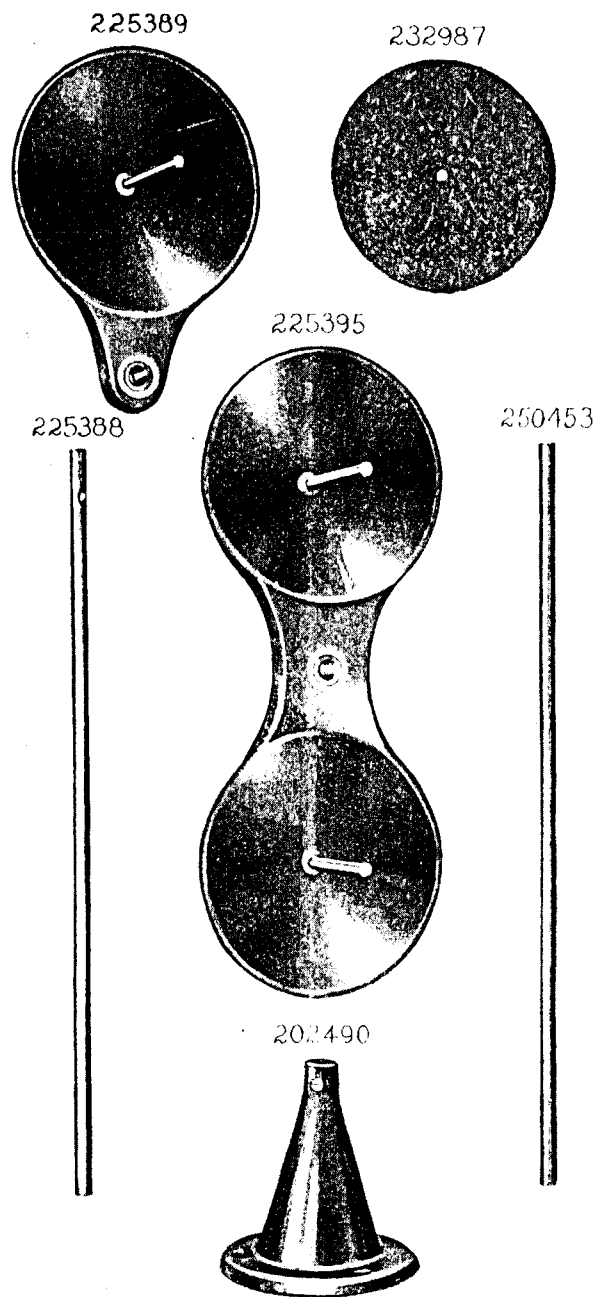


PLATE 13956—FULL SIZE

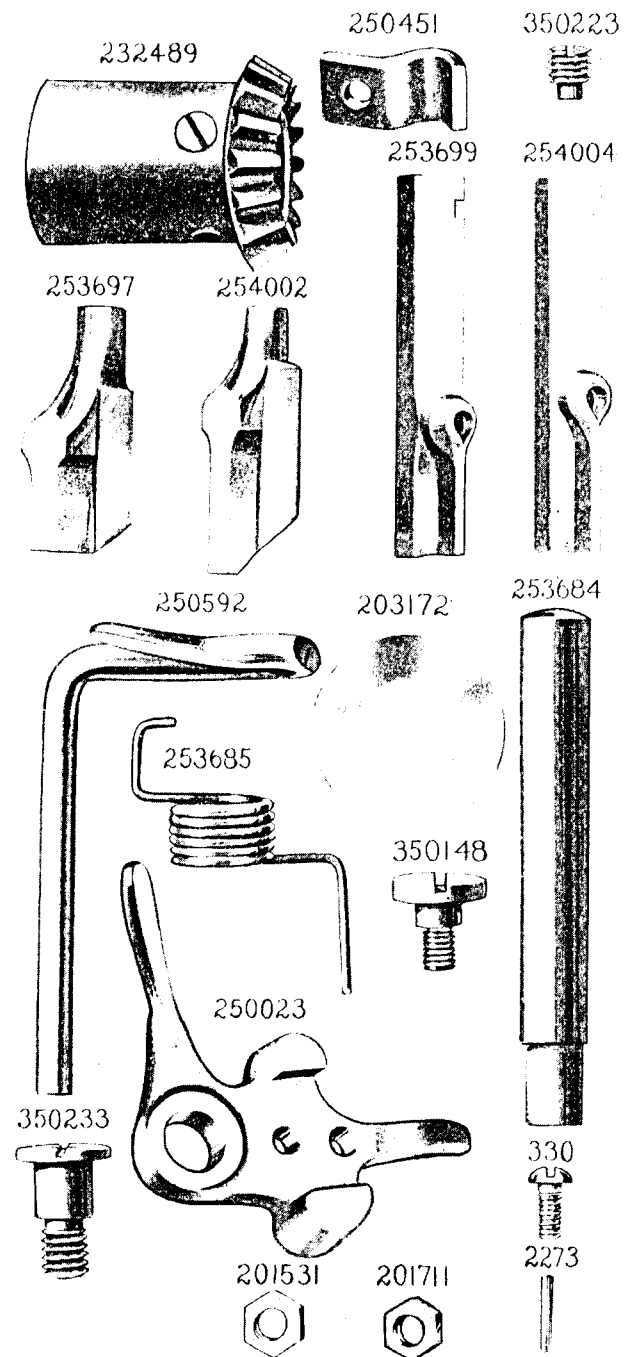


PLATE 13957—ONE-FOURTH SIZE

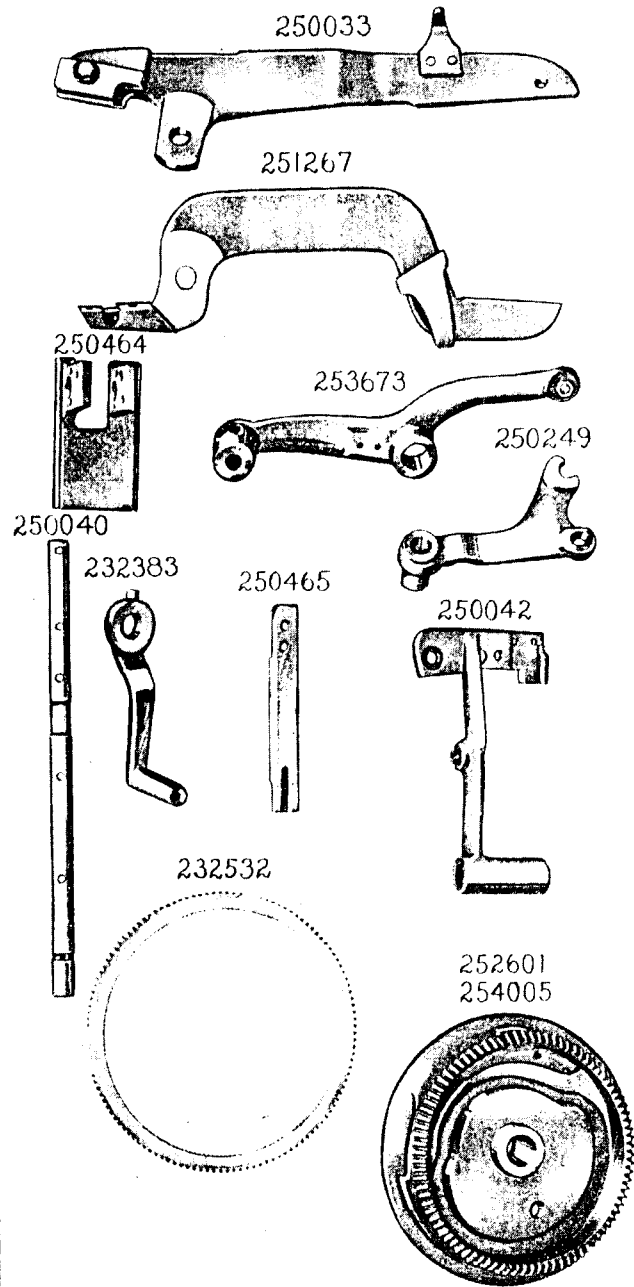


PLATE 13958—ONE-HALF SIZE

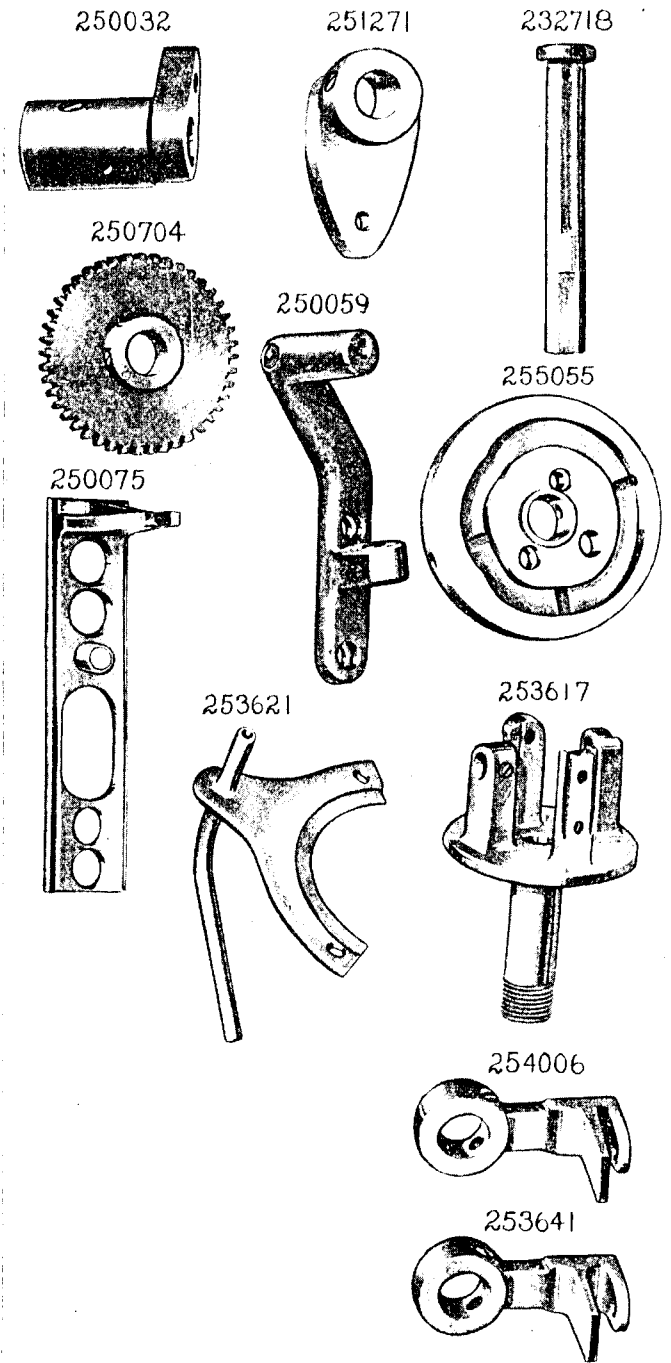


PLATE 13959—FULL SIZE

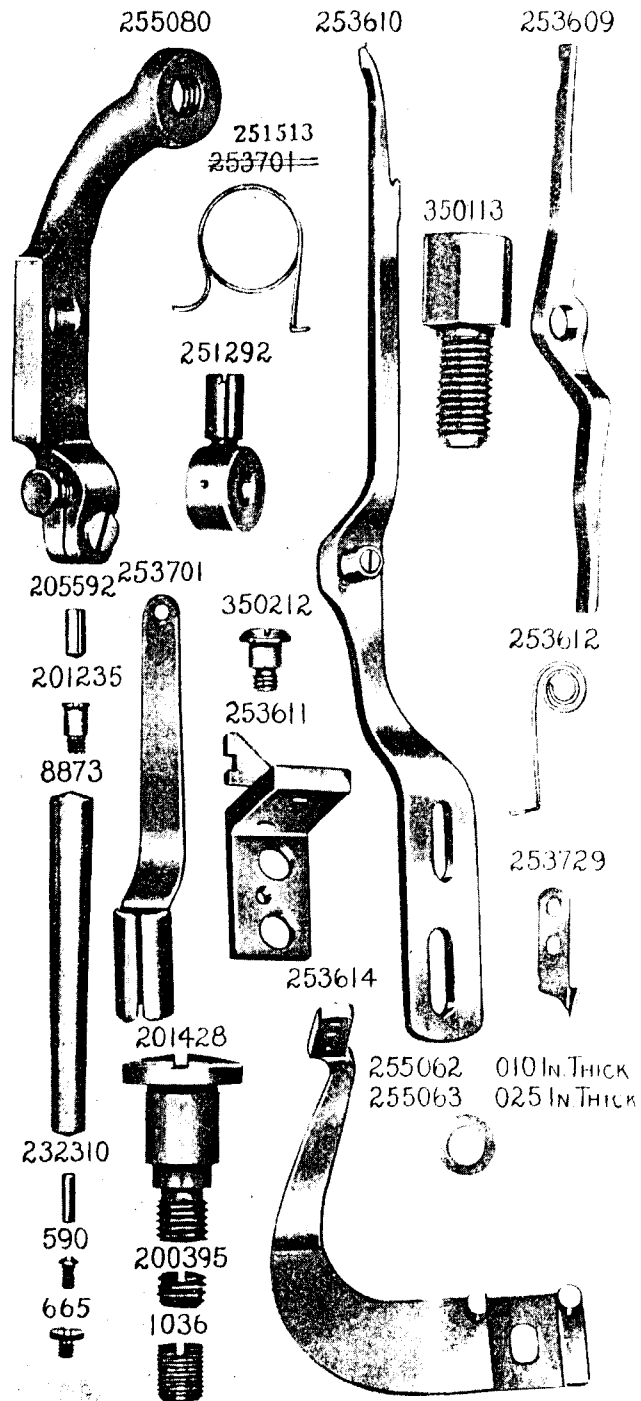


PLATE 13960—ONE-HALF SIZE

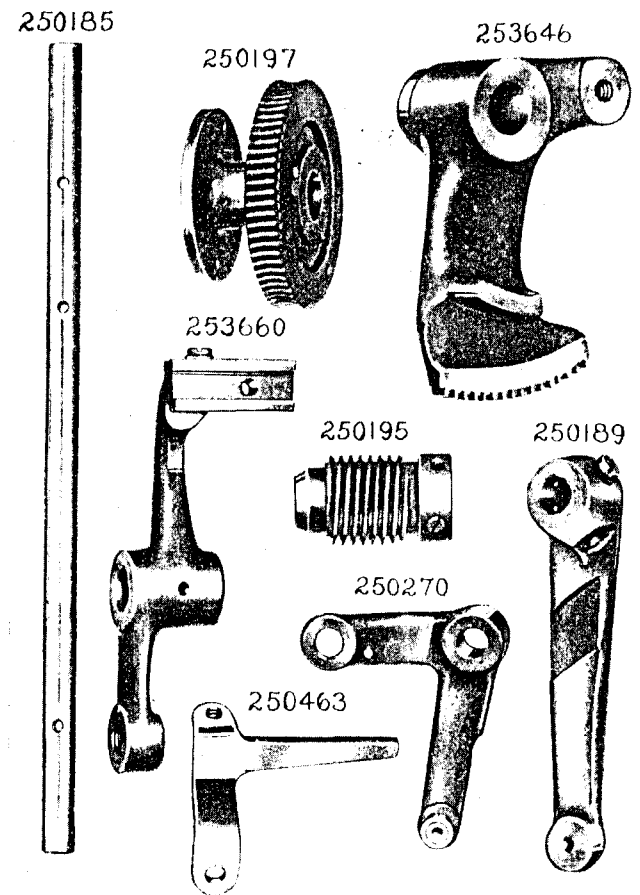


PLATE 13961—FULL SIZE

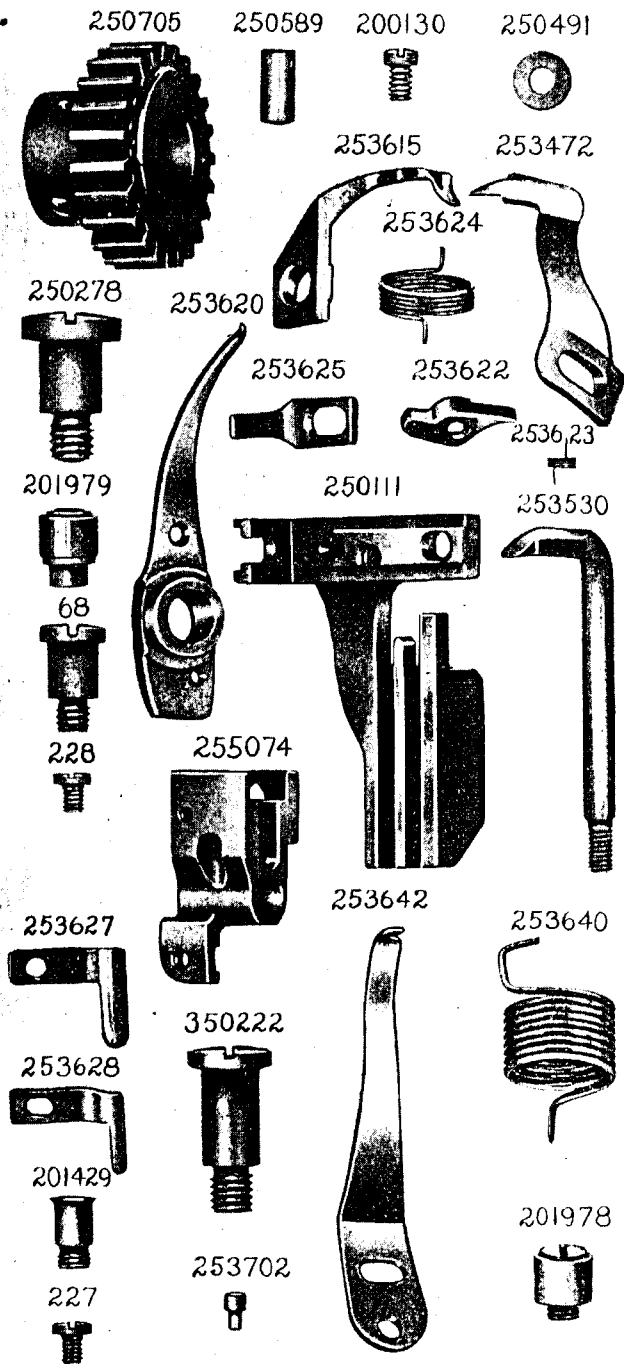


PLATE 13962—FULL SIZE

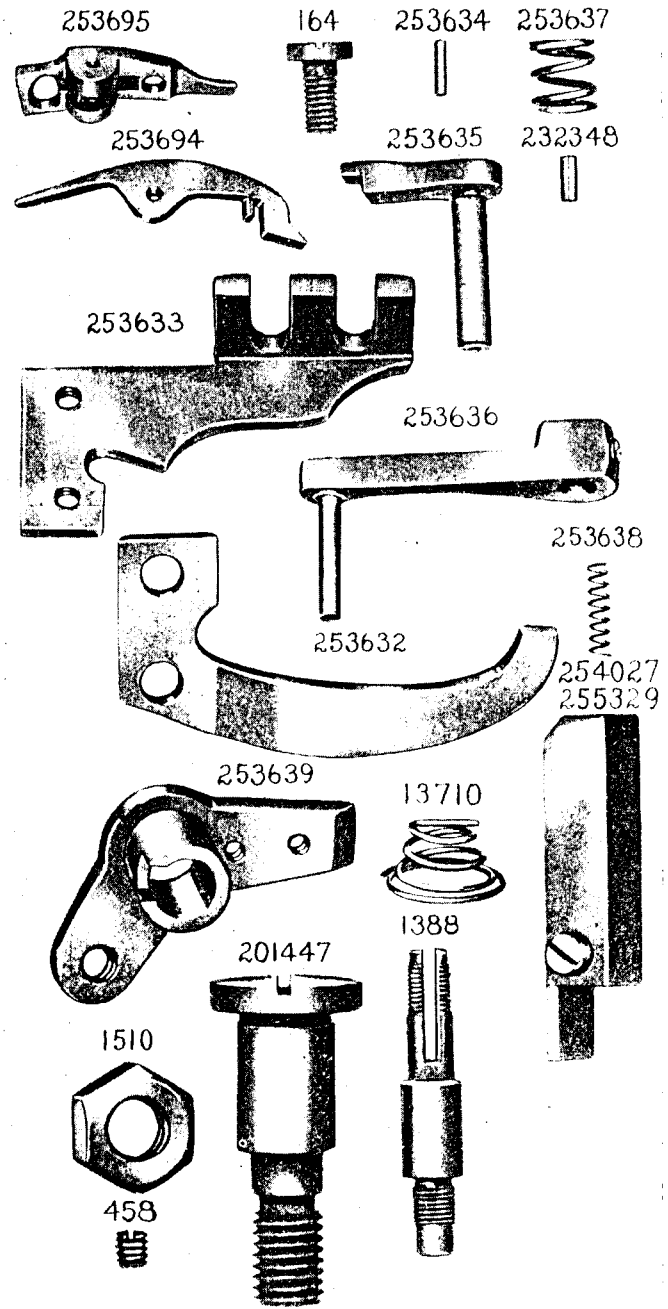


PLATE 13963—ONE-FOURTH SIZE

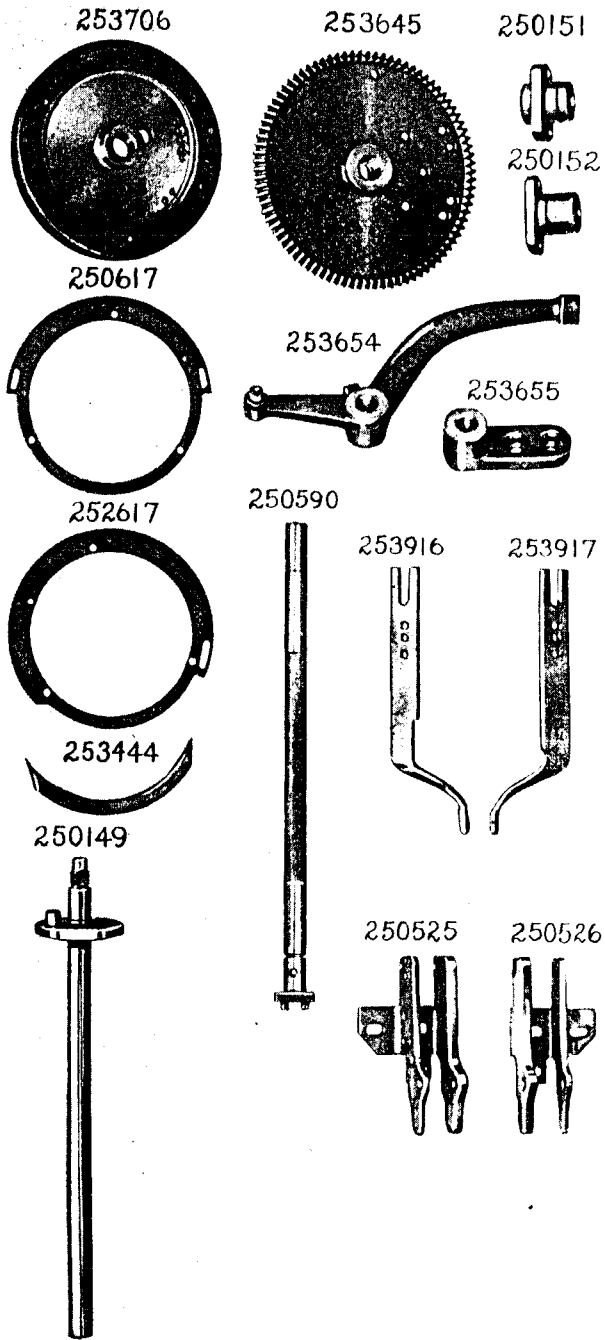


PLATE 13964—FULL SIZE

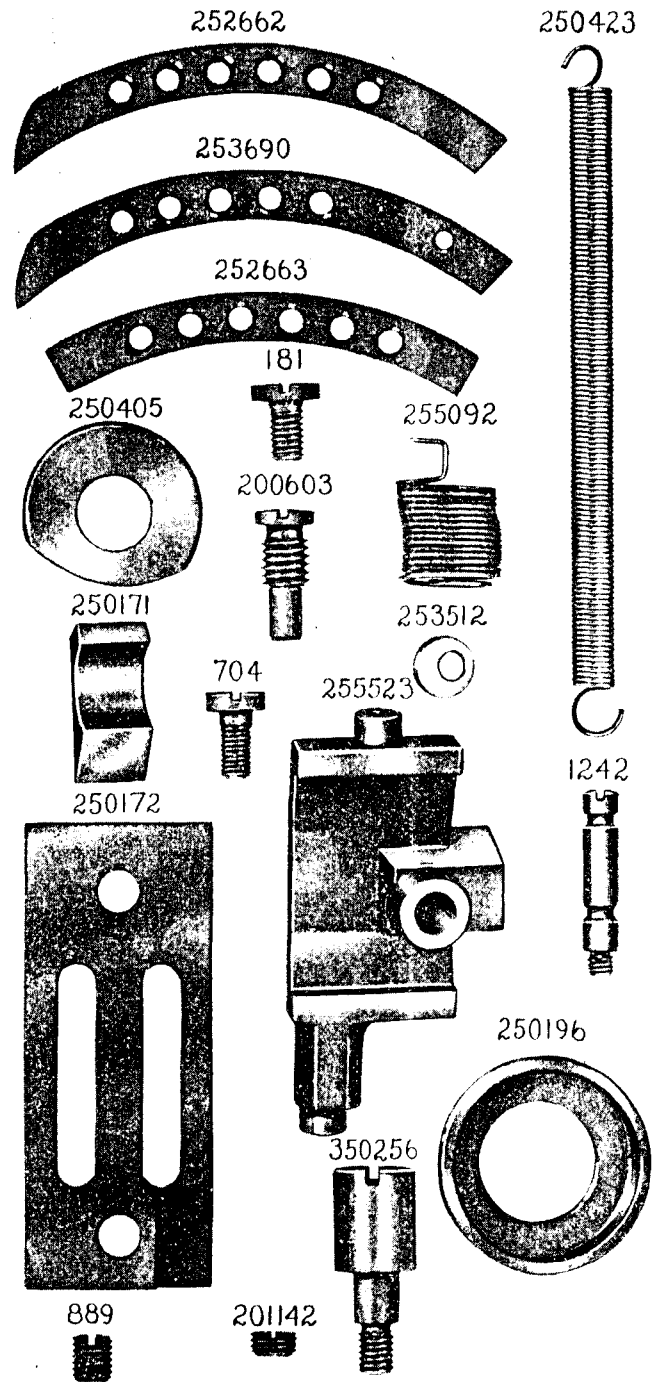


PLATE 13965—FULL SIZE

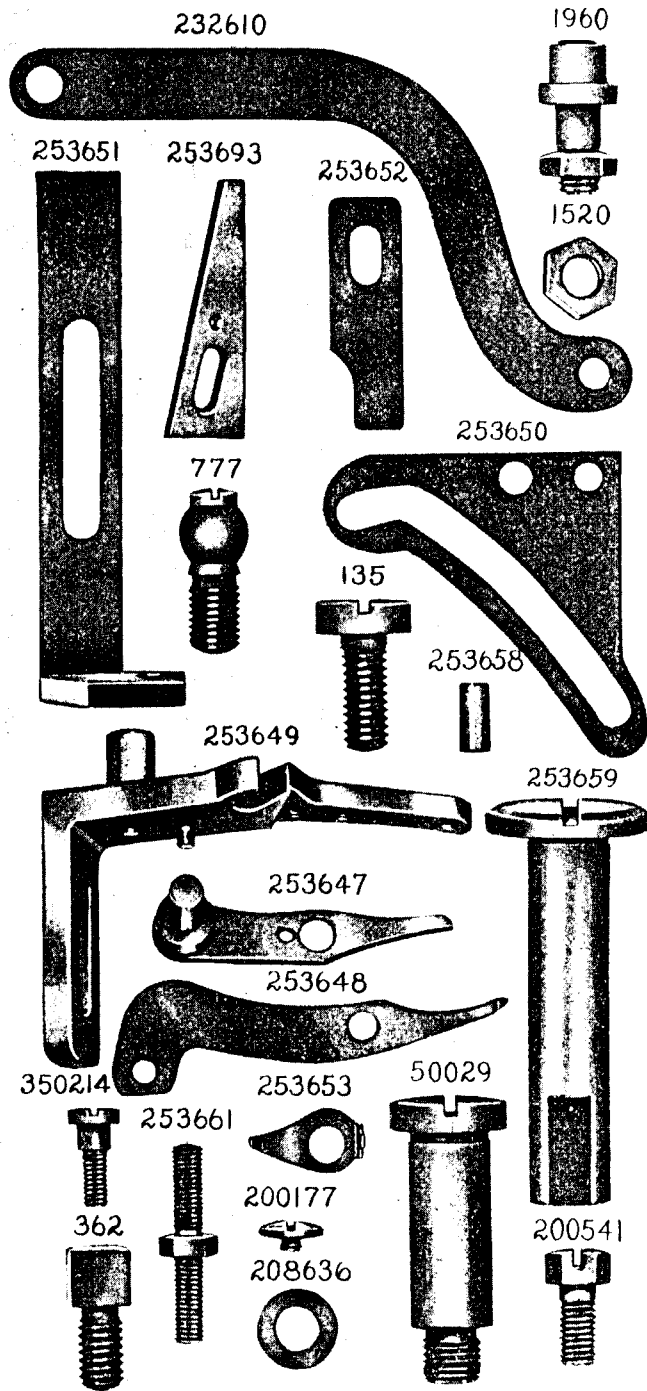


PLATE 13966—ONE-FOURTH SIZE

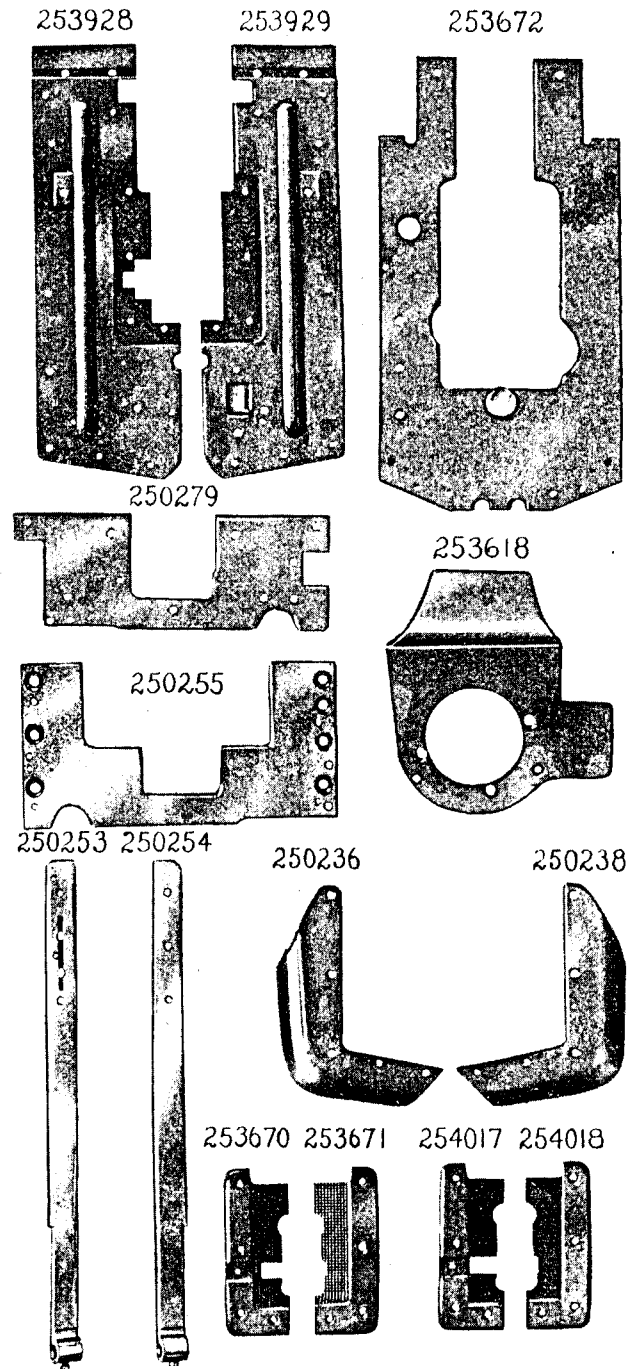


PLATE 13967—FULL SIZE

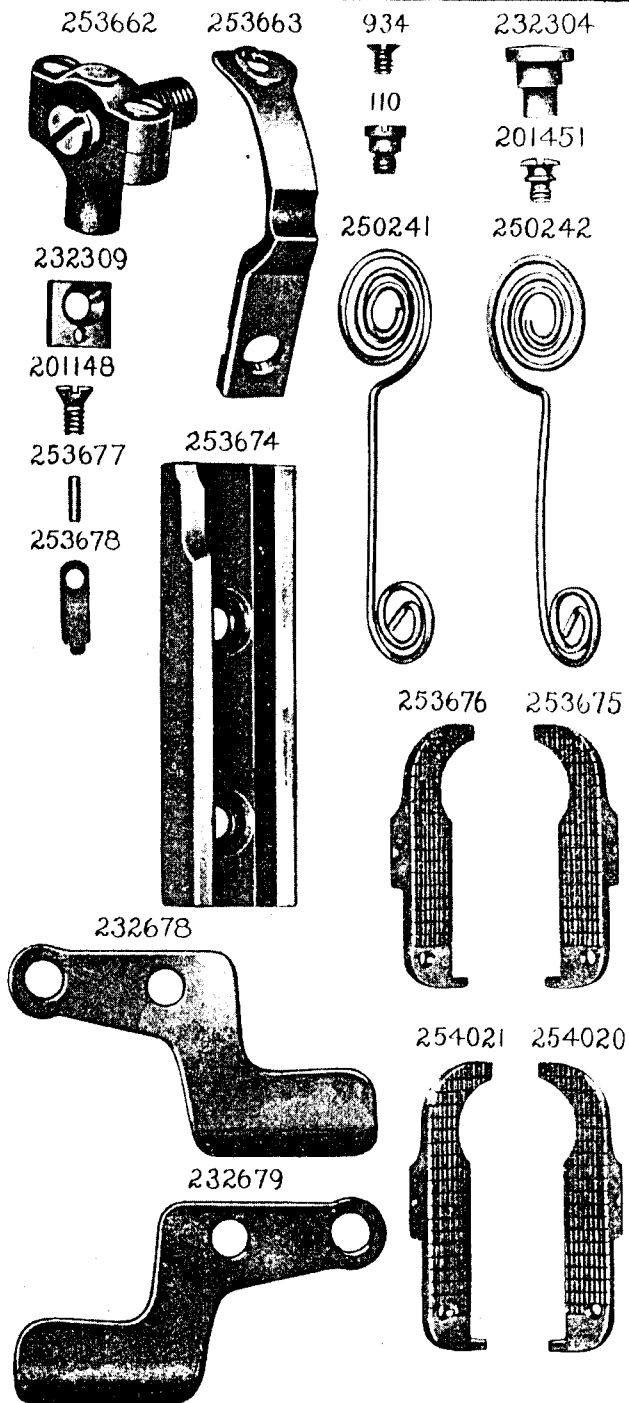


PLATE 13968—FULL SIZE

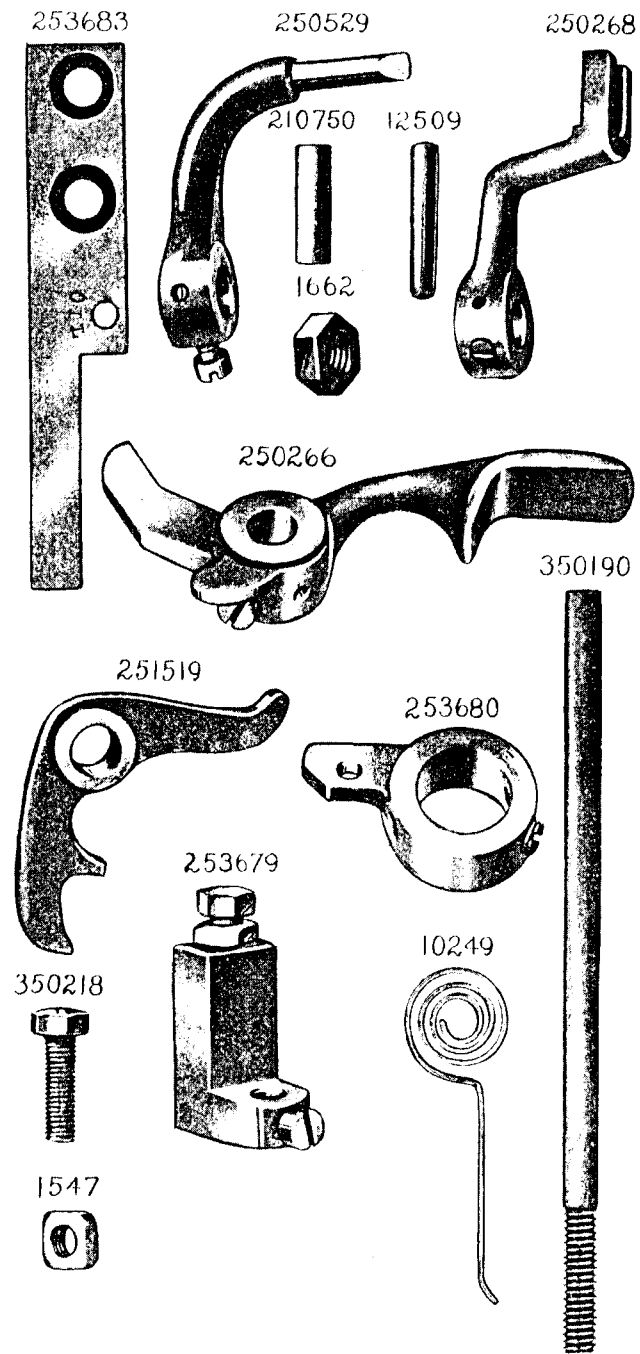


PLATE 13969—FULL SIZE

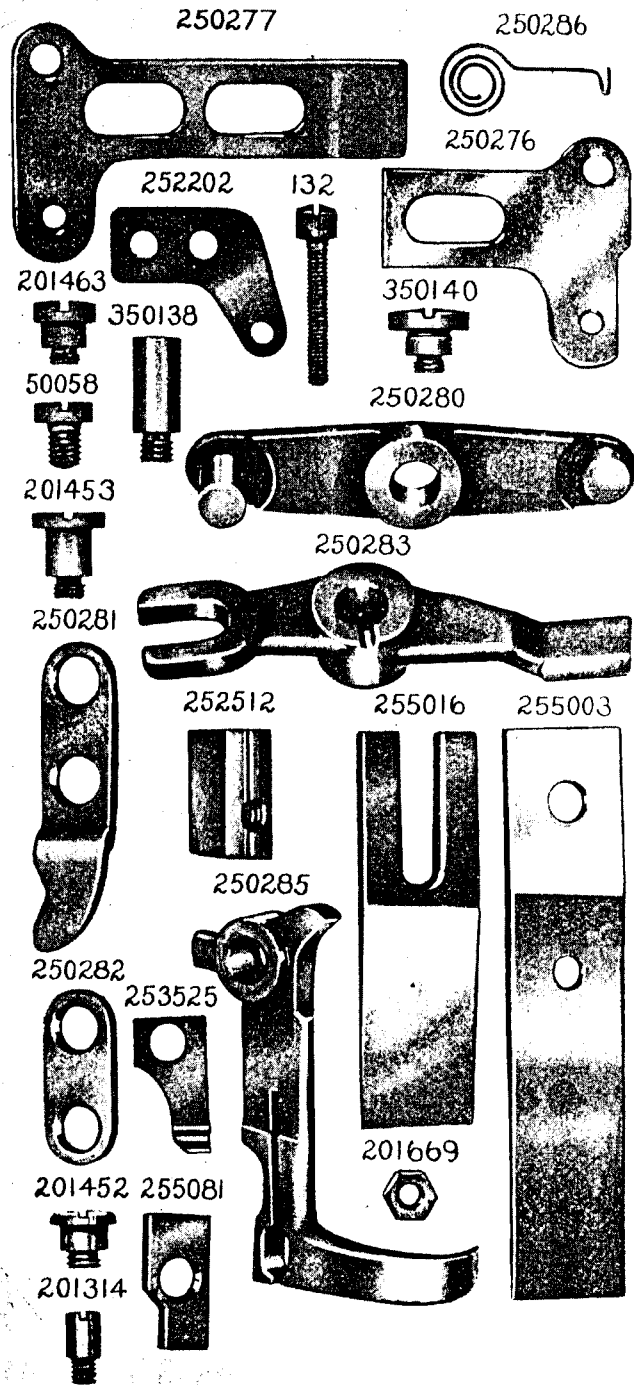


PLATE 13970—ONE-HALF SIZE

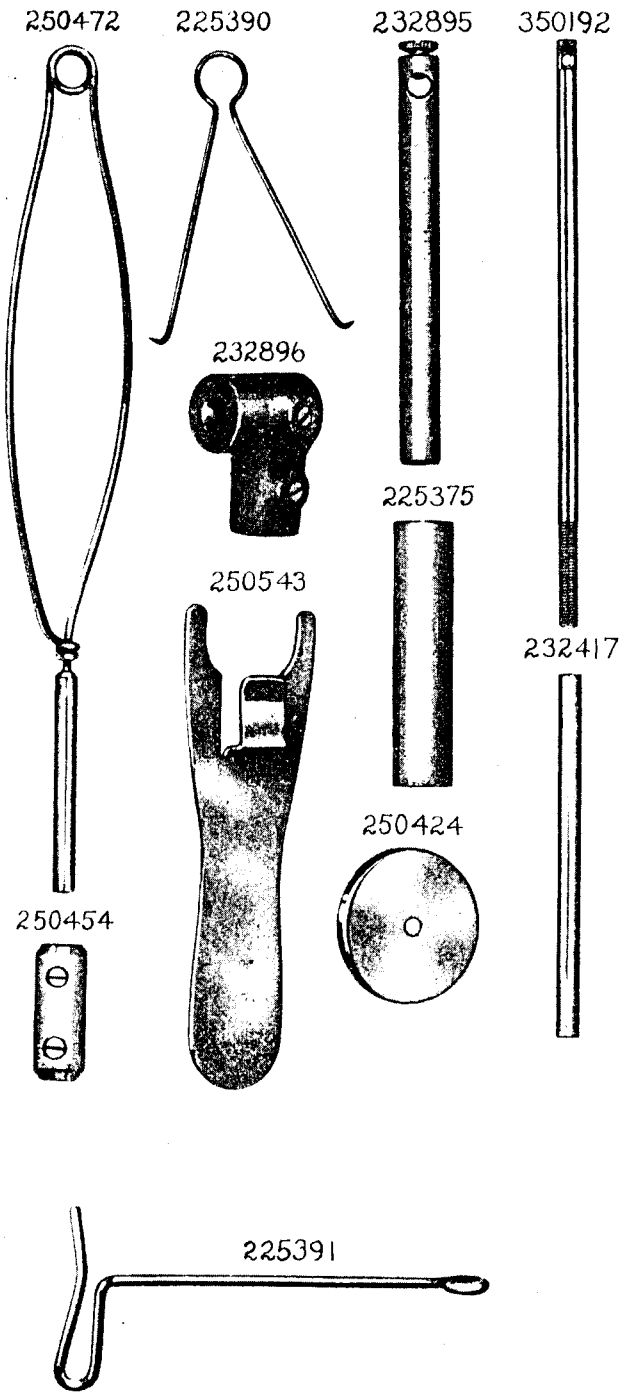


PLATE 13971—FULL SIZE

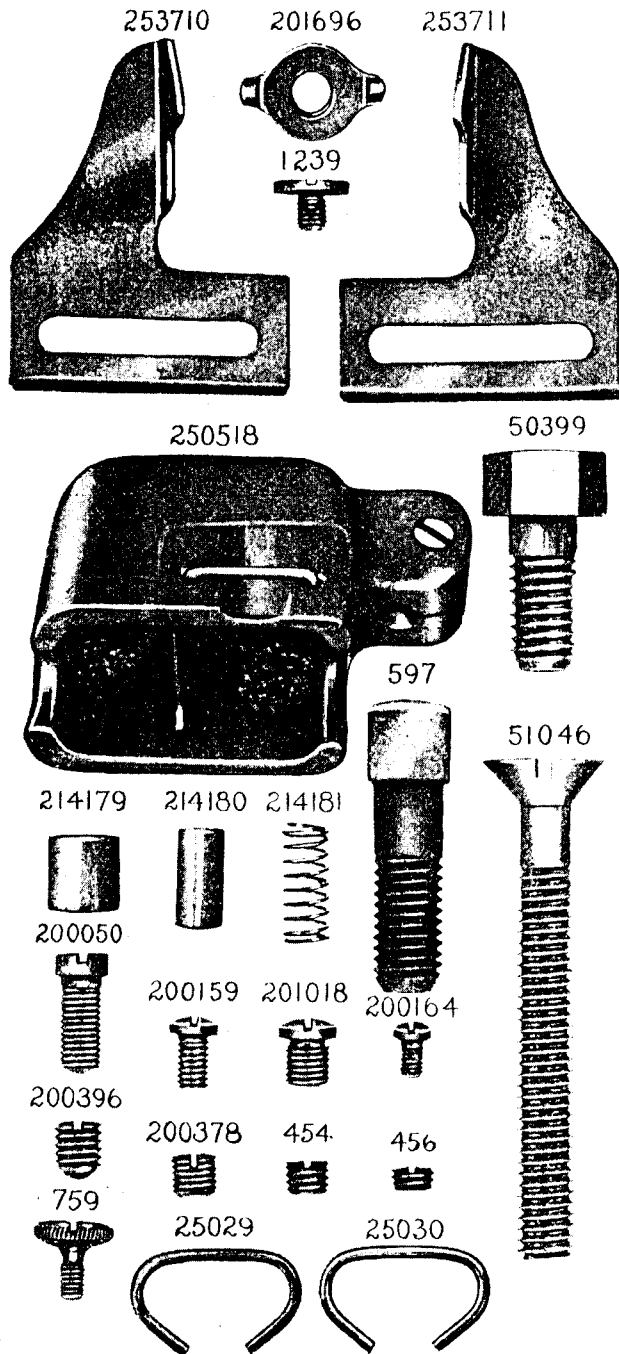


PLATE 15413—ONE-FOURTH SIZE

