

Form 1962B  
(141)  
Printed in U. S. A.

# LIST OF PARTS



MACHINE No. 92-20

---

THE SINGER MANUFACTURING COMPANY

## INSTRUCTIONS FOR OILING

---

Turn aside the cover at the top of the machine and pour oil through the hole thus exposed until its level in the machine bed reservoir coincides with the upper mark on the oil gauge.

Apply a few drops of oil to all oil holes and to other places where parts are in movable contact.

Use "Singer Oil for High Speed Sewing Machines" (Cloth and Leather) for general use, or "Singer Stainless Oil for High Speed Sewing Machines" where a stainless oil is desired.

## INDEX

---

	Page
Accessories.....	14
Cloth Plate (For Submerged Mounting).....	14
Fittings.....	13
Foot Lifter Parts.....	15
Knee Lifter Parts.....	15
Machine Base.....	16
Machine No. 92-20.....	5
Numerical List of Parts.....	19
Thread Unwinder.....	17

INSTRUCTIONS FOR ORDERING

In ordering from this list, use ONLY the part NUMBER in the FIRST column.

The number stamped on a Sewing Machine Part is in every case the number of the single part only.

Every combination of parts sent out as such has its specific number, which, although not stamped on the parts, must be used when ordering the combination.

Each number always indicates the SAME PART in whatever list it appears, or for whatever machine.

The letters after some of the numbers indicate the style of finish only, as follows:

- A-Hardened, Polished, Nickel Plated and Buffed
- A.A-Buffed and Chromium Plated
- A.B-Hardened, Polished, Buffed and Chromium Plated
- A.C-Brown Baking Enamel Finish
- A.D-Gray Baking Enamel Finish
- A.E-Hardened, Bright Rumbled and Nickel Plated
- A.F-Hardened, Bright Rumbled, Nickel Plated, Bright Rumbled and Chromium Plated
- B-Polished, Nickel Plated and Buffed
- C-Hardened Only
- C.R-Hardened and Merlized
- D-Polished Only
- E-Soft, Not Polished
- F-Hardened and Polished
- F.J-Hardened, Polished and Nickel Plated
- G-Bright Rumbled and Nickel Plated
- H-Blued
- J-Nickel Plated Only
- K-Hardened and Nickel Plated
- L-Brass Plated
- M-Oxidized
- N-Japanned, Dull
- P-Japanned, Bright
- P.P-Wrinkle Finish
- R-Merlized
- S-Cadmium Plated
- T-Copper Plated
- T.A-Hardened, Polished, Copper and Nickel Plated and Buffed
- T.B-Copper and Nickel Plated and Polished
- T.J-Copper and Nickel Plated Only
- T.K-Hardened, Copper and Nickel Plated
- T.L-Copper and Brass Plated
- T.M-Copper Plated and Oxidized
- U-Zinc Plated
- V-Silver Plated
- W-Polished and Nickel Plated
- X-Black Oxide, for Iron and Steel
- X.C-Hardened and Black Oxide, for Iron or Steel
- Y-Black Nickel Plated Only
- Z-Chromium Plated
- Z.A-Hardened, Polished, Nickel Plated, Buffed and Chromium Plated
- Z.B-Polished, Nickel Plated, Buffed and Chromium Plated
- Z.C-Hardened and Chromium Plated
- Z.D-Polished and Chromium Plated
- Z.G-Bright Rumbled, Nickel Plated, Bright Rumbled and Chromium Plated
- Z.J-Nickel and Chromium Plated
- Z.T-Copper and Chromium Plated

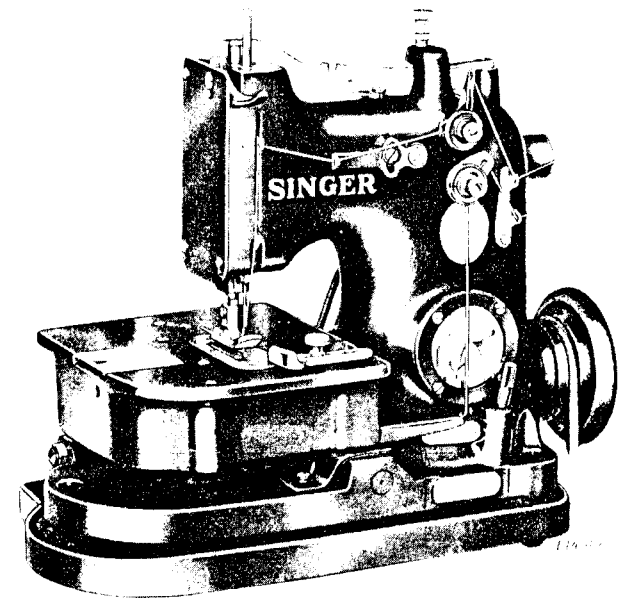
These letters MUST BE USED when they appear in the list; and AFTER the number as in the list.

In this series:  
 1 to 1500, 50001 to 51500 and 140001 to 142000 are Screw Numbers  
 1501 to 1800 and 51501 to 51800 are Nut Numbers  
 1801 to 2000 and 51901 to 52000 are Roller Numbers  
 2001 to 50000 and 52001 to 140000 and 142001 to 190000 are Sewing Machine Parts, 190001 and upward are numbers of Electrical Parts.

The figures in the second column refer only to the plates, illustrating the parts, and are NOT TO BE USED in ordering.

Parts marked with an asterisk (\*) are furnished only when repairs are made at factory.

LIST OF PARTS COMPLETE FOR



MACHINE No. 92-20

FOR LIGHT AND MEDIUM WEIGHT BAGS.  
 ONE NEEDLE. ONE LOOPER. DROP FEED.  
 Length of stitch 3 to 6 to the inch. Speed 3500 R.P.M.

No.	Plate	Name
*49277	-----	Arm, upper and lower (solid) with 15404, 18310, two 15405 and three 131022...
49278	23579	Arm Bottom Cover.....
49279	23579	" " " Gasket (cork).....
190E	23579	" " " Screw (16).....
49280	23576	" Hole Screw Plug.....
858C	23577	" Oil Plug Screw.....
49172	23576	" " Tube with 2653 and 49174, for oiling Feed Connecting Rod.....
18130	23577	Arm Oil Tube with 52045, for oiling Arm Rock Shaft Front Bearing.....
49174	23576	Arm Oil Tube Packing (braided cotton) for 49172.....
52045	23577	Arm Oil Tube Packing (wick) for 18130.....
2653	23576	" " " Stop Pin for 49172.
49156	23577	" Rock Shaft.....
49271	-----	" " " 49156 with 49261.....
49281	23577	" " " Bushing (back).....
49282	23577	" " " " " Cap.....
49283	23577	" " " " " Washer
453C	23577	" " " " " Set Screw.

## PARTS FOR MACHINE No. 92-20

No.	Plate	Name
49284	23577	Arm Rock Shaft Bushing (intermediate)...
448C	23577	" " " " " " Set Screw.....
54004	23577	Arm Rock Shaft Collar with two 453C.....
453C	23577	" " " " " " Set Screw (2).....
49261	23577	" " " Crank (back) with 50282E and 50457C.....
50457C	23577	Arm Rock Shaft Crank (back) Position Screw.....
50282E	23577	Arm Rock Shaft Crank (back) Set Screw...
49262	23577	" " " " (front) with 50282E and 50457C.....
50457C	23577	Arm Rock Shaft Crank (front) Position Screw.....
50282E	23577	Arm Rock Shaft Crank (front) Set Screw..
142918	23577	" " " Flanged Bushing (front)..
430C	23577	" " " " " " " " Set Screw.....
49097	23576	Arm Rotary Shaft.....
49285	-----	" " " 49097 with 142903.....
*49286	-----	" " " Bushing (front).....
49287	23576	" " " " " " 49286 with 132556.....
132556	23576	Arm Rotary Shaft Bushing (front) Oil Pad (braided cotton).....
430C	23576	Arm Rotary Shaft Bushing (front) Set Screw.....
49010	23576	Arm Rotary Shaft Collar with two 1259C..
1259C	23576	" " " " " " Set Screw (2)...
49012	23576	" " " Flanged Bushing (back) with 49013 and 49093.....
49093	23576	Arm Rotary Shaft Flanged Bushing (back) Oil Pad (long) braided cotton.....
49013	23576	Arm Rotary Shaft Flanged Bushing (back) Oil Pad (short) braided cotton.....
159F	23576	Arm Rotary Shaft Flanged Bushing (back) Screw (3).....
49288	-----	Arm Rotary Shaft Flanged Bushing (intermediate).....
49289	23576	Arm Rotary Shaft Flanged Bushing (intermediate) 49288 with 49290.....
49290	23576	Arm Rotary Shaft Flanged Bushing (intermediate) Oil Pad (felt).....
446C	23576	Arm Rotary Shaft Flanged Bushing (intermediate) Set Screw.....
49291	23576	Arm Rotary Shaft Oil Pad (wick) for Front Bearing.....
50249E	23576	Arm Rotary Shaft Oil Pad Cap Screw.....
144D	23576	" " " " " " Screw.....
49292	23579	" Side Cover (back).....

## PARTS FOR MACHINE No. 92-20

No.	Plate	Name
49293	23579	Arm Side Cover (back) Gasket (cork)....
49294	23579	" " " " " " Retainer.....
176J	23579	" " " " " " Screw (4)
49292	23579	" " " " (front).....
49293	23579	" " " " " " Gasket (cork)....
49294	23579	" " " " " " Retainer.....
176J	23579	" " " " " " Screw (4)
49295	23580	" Top Cover.....
49296	23580	" " " 49295 with 49297 and two 29572.....
49297	23580	Arm Top Cover Gasket.....
29572	23580	" " " " " " Rivet (2).....
85D	23580	" " " " " " Hinge Screw.....
19054	-----	" " " " " " Friction Washer (heavy).....
32039	23580	Arm Top Cover Hinge Screw Friction Washer (light).....
90F	23580	Arm Top Cover Position Screw.....
23873	23576	Balance Wheel, 2 1/8 in. pulley, with two 51283C.....
51283C	23576	Balance Wheel Set Screw (2).....
49175	23579	Cloth Plate with two 46224.....
46224	23579	" " " Oil Cup (2).....
49016	23579	" " " Slide.....
38419	23579	" " " " " " Spring.....
725J	23579	" " " " " " Screw (2).....
49017	23579	Cloth Plate Slide complete, Nos. 38419, 49016 and two 725J.....
49176	23579	Cloth Plate complete, Nos. 49017, 49053, 49054, 49116, 49175 and two 226J....
50085F	23579	Cloth Plate Screw (3).....
142901	23577	Crank Connecting Rod with two 145E.....
142903	-----	" " " " " " 142901 with 1513J and 50147C.....
145E	23577	Crank Connecting Rod Cap Screw (2).....
50147C	23577	" " " " " " Hinge Screw.....
1513J	23577	" " " " " " Nut....
49020	23579	Face Plate.....
193F	23579	" " " Screw (3).....
49021	23576	Feed Bar with 220D and 457C.....
49022	23576	" " " Hinge Pin.....
457C	23576	" " " " " " Set Screw.....
49023	23576	" Connecting Rod with 2053, 4784 and two 896C.....
896C	23576	Feed Connecting Rod Cap Screw (2)...
4784	23576	" " " " " " Oil Pad (felt).....
2653	23576	" " " " " " Pin.....
49025	23581	" Dog, 15 teeth (10 teeth to the inch).....
172C	23581	Feed Dog Screw.....

No.	Plate	Name
220D	23576	Feed Dog Stop Screw.....
49026	23576	" Eccentric with two 1259C.....
1259C	23576	" " Set Screw (2).....
49113	23576	" Lifting Eccentric with two 1259C...
49253	23576	" " " Connection with 457C, 2653, 55515 and two 896C.....
896C	23576	Feed Lifting Eccentric Connection Cap Screw (2).....
49030	23576	Feed Lifting Eccentric Connection Hinge Pin.....
457C	23576	Feed Lifting Eccentric Connection Hinge Pin Set Screw.....
55515	-----	Feed Lifting Eccentric Connection Oil Pad (braided cotton).....
2653	-----	Feed Lifting Eccentric Connection Oil Pad Pin.....
1259C	23576	Feed Lifting Eccentric Set Screw (2)....
50086C	23576	" Regulating Screw Stud.....
1714C	23576	" " " " Nut.....
49031	23576	" " " " Sleeve.....
49032	23576	" " " " Washer.....
49177	23576	" Rock Shaft.....
49178	-----	Feed Rock Shaft complete, Nos. 49177, 49179 and 49267.....
49267	23576	Feed Rock Shaft Crank with two 1177E....
1177E	23576	" " " " Clamping Screw (2)
142924	23576	" " " Hinge Pin.....
142927	-----	" " " " " 142924 with 1508J.....
1508J	23576	Feed Rock Shaft Hinge Pin Nut.....
140217C	23576	" " " " " Screw Bearing.
142928	-----	" " " " " 140217C with 1508J.....
1508J	23576	Feed Rock Shaft Hinge Pin Screw Bearing Nut.....
49179	23576	Feed Rock Shaft Oil Cup with 49013.....
49013	23576	" " " " " Packing (braided cotton).....
27398	23576	Feed Rock Shaft Washer (2).....
36221	23581	Guide.....
194D	23581	" Screw Stud.....
671D	23581	" Thumb Screw.....
49036	23581	Looper (double thread) with 590D and 49080.....
49037	23581	Looper (single thread).....
142904	23577	" Bell Crank.....
49039	23577	" " " Hinge Stud.....
448C	23577	" " " " " Set Screw.
142905	23577	" " " Oil Guard (lower) leather.....

No.	Plate	Name
142925	23577	Looper Bell Crank Oil Guard (upper) rubber.....
142926	23577	Looper Bell Crank Oil Guard (upper) Retainer.....
49158	23577	Looper Bell Crank Pitman with two each 171E and 1057C.....
*49250	-----	Looper Bell Crank Pitman 49158 with 50069C and 140206C.....
140206C	23577	Looper Bell Crank Pitman Ball Screw Stud (lower).....
1518J	23577	Looper Bell Crank Pitman Ball Screw Stud (lower) Nut.....
50069C	23577	Looper Bell Crank Pitman Ball Screw Stud (upper).....
1619E	23577	Looper Bell Crank Pitman Ball Screw Stud (upper) Nut.....
171E	23577	Looper Bell Crank Pitman Cap (lower) Screw (2).....
1057C	23577	Looper Bell Crank Pitman Cap (upper) Screw (2).....
49043	23577	Looper Bell Crank Pitman Washer (fibre).
49044	23576	" Carrier with 4784 and two each 175E, 1147C and 59019.....
*142919	-----	Looper Carrier 49044 with 49165, 49166 and 142920.....
175E	23576	Looper Carrier Clamping Screw (2).....
59019	23576	" " G1b (2).....
49165	23576	" " Hinge Pin.....
157J	23576	" " " " Clamping Screw.
49166	23576	" " " " Collar with two 202F.....
202F	23576	Looper Carrier Hinge Pin Collar Set Screw (2).....
4784	23576	Looper Carrier Oil Pad (felt).....
49045	-----	Looper Carrier Pitman complete, Nos. 1708E, 1709E, 49046, 49088 and 49089
40206C	23577	Looper Carrier Pitman Ball Screw Stud...
1518J	23577	" " " " " Nut
46237	23577	" " " " " Stud (left)..
1147C	23577	" " " " " " Set Screw (2).....
171E	23577	Looper Carrier Pitman Cap (left) Screw (2).....
171E	23577	Looper Carrier Pitman Cap (right) Screw (2).....
49088	23577	Looper Carrier Pitman Head (left) Nos. 46237 and two 171E.....
49089	23577	Looper Carrier Pitman Head (right) Nos. 140206C and two 171E.....
49046	23577	Looper Carrier Pitman Rod.....

No.	Plate	Name
1708E	23577	Looper Carrier Pitman Rod Nut (left)....
1709E	23577	" " " " " (right)....
49043	23577	" " " Washer (fibre)....
49275	23576	" " Rock Shaft.....
11411	23576	" " " Collar with 453C.....
453C	23576	Looper Carrier Rock Shaft Collar Set Screw.....
49276	23576	Looper Carrier Rock Shaft Crank (back) forked, with 140174C.....
140174C	23576	Looper Carrier Rock Shaft Crank (back) Position Screw.....
49049	23576	Looper Carrier Rock Shaft Crank (back) Slide Block.....
142920	23576	Looper Carrier Rock Shaft Crank (front) with 157J and two 140209C.....
140209C	23576	Looper Carrier Rock Shaft Crank (front) Clamping Screw (2).....
49142	23576	Looper Eccentric with two 1036C.....
*49258	-----	" " 49142 with 49049.....
1036C	23576	" " Set Screw (2).....
49116	23579	" Gate with 453C.....
49053	23579	" " Hinge Pin.....
453C	23579	" " " Set Screw.....
49064	23579	" " Lock Spring.....
226J	23579	" " " Screw (2).....
1147C	23576	" Set Screw.....
49080	23581	" Thread Guard.....
590D	23581	" " Screw.....
49055	23578	Needle Bar (hollow).....
127230	23578	" " Bushing (lower).....
435C	23578	" " " Set Screw.....
49056	23578	" " " (upper).....
1133E	23578	" " " Set Screw.....
*49101	23578	" " Connecting Link.....
49167	-----	" " " 49101 with 49057 and 49268.....
49057	23578	Needle Bar Connecting Link Hinge Stud....
1517J	23578	" " " " " Nut
49268	23578	" " " " with 1454E....
1454E	23578	" " " " Clamping Screw.....
1629C	23578	Needle Clamping Nut.....
142907	-----	Oil Gauge.....
142908	23576	" " 142907 with 142909.....
142909	23576	" " Retaining Spring.....
142910	23576	" Pipe with two each 1733 and 49191, for oiling Arm Rotary Shaft (front) Bearing.....
68496	23576	Oil Pipe Coupling (left).....

No.	Plate	Name
49190	23576	Oil Pipe Coupling (right).....
1733	23576	" " " Nut (brass) (2).....
49191	-----	" " Sleeve (2).....
49059	23578	Presser Bar.....
142911	23578	" " Bushing (lower).....
435C	23578	" " " " Set Screw...
49061	23578	" " " (upper).....
1133E	23578	" " " " Set Screw...
49062	23578	" " Lifter.....
212D	23578	" " " Cap Screw.....
49063	23578	" " " Friction Washer.....
49064	23578	" " " Hinge Stud.....
453C	23578	" " " " " Set Screw.
49065	23578	" " Lifting Bracket with 453C and 892F.....
892F	23578	Presser Bar Lifting Bracket Adjusting Screw.....
453C	23578	Presser Bar Lifting Bracket Set Screw...
49066	23578	" " " Link.....
212D	23578	" " " Cap Screw.....
724D	23578	" " " Hinge Screw....
131198	23580	Presser Bar Spring (auxiliary) complete.
49067	23580	" " " (flat).....
38468	23580	" " " Stud.....
50087F	23581	" Foot Hinge Screw.....
49126	23581	" " Plate.....
49127	23581	" " Shank.....
49128	23581	Presser Foot (hinged) complete for 49025, Nos. 49126, 49127 and 50087F.
176J	23581	Presser Foot Screw.....
574W	23580	Pressure Regulating Thumb Screw.....
1539W	23580	" " " " Lock Nut
2102	23580	Tension (under thread) Disc (2).....
1560C	23580	" " " Regulating Thumb Nut.....
1110C	23580	Tension (under thread) Screw Stud.....
20972	-----	" " " " " 1110C with 1560C.....
10148	23580	Tension (under thread) Spring.....
49220	23580	" " " Thread Guide.....
2102	23580	" (upper thread) Disc (2).....
1560C	23580	" " " Regulating Thumb Nut.....
1110C	23580	Tension (upper thread) Screw Stud.....
20972	-----	" " " " " 1110C with 1560C.....
13710	23580	Tension (upper thread) Spring.....
130807	23580	" " " Thread Guide.....
49071	23577	Thread (under) Eyelet.....
172F	23577	" " " Screw.....

No.	Plate	Name
49072	23577	Thread (under) Take-up.....
190J	23577	" " " Screw.....
49073	23580	" (upper) Controller.....
974F	23580	" " " Hinge Screw...
914F	23580	" " " Screw.....
39541	23580	" " " " Washer..
49075	23578	" " " Take-up with 457C.....
457C	23578	" " " Set Screw.....
49192	23580	" Guide (double) side of arm.....
190J	23580	" " " " " " Screw.
49131	23581	Throat Plate, for double thread, for 49025.....
49132	23581	Throat Plate with 665J and 49078, for single thread, for 49025.....
691F	23581	Throat Plate Screw (2).....
49078	23581	" " " Thread Retainer.....
665J	23581	" " " " " Screw.....
*15404	----	Trade Mark.....
15405	----	" " " Rivet (2).....

**Genuine Singer Needles should be used  
in Singer Machines.  
These Needles and their Containers  
are marked with the  
Company's Trade Mark "SIMANCO." 1**

**Needles in Containers marked  
"For Singer Machines"  
are not Singer made needles. 2**

## FITTINGS

### FOR HEAVY THREAD

No.	Plate	Name
49025	23582	Feed Dog, 15 teeth (10 teeth to the inch) for 49132.....
50087F	23582	Presser Foot Hinge Screw.....
142912	23582	" " " Plate.....
142913	23582	" " " Shank.....
142914	23582	Presser Foot (hinged) complete, Nos. 50087F, 142912 and 142913.....
49131	23582	Throat Plate for double thread, for 49025.....
49132	23582	Throat Plate with 665J and 49078, for single thread, for 49025.....

### FOR CLAY FILLED BAGS

No.	Plate	Name
49103	23582	Feed Dog (spiked teeth) 15 teeth (11 teeth to the inch) for 49131.....
50087F	23582	Presser Foot Hinge Screw.....
49068	23582	" " " Plate.....
49069	23582	" " " Shank.....
49070	23582	Presser Foot (hinged) complete, Nos. 49068, 49069 and 50087F.....
49131	23582	Throat Plate, for double thread, for 49103.....

### FOR HEMMING

No.	Plate	Name
49125	23583	Feed Dog, 17 teeth (12 teeth to the inch) for 49272.....
50087F	23583	Presser Foot Hinge Screw.....
49126	23583	" " " Plate.....
49127	23583	" " " Shank.....
49128	23583	Presser Foot (hinged) complete, Nos. 49126, 49127 and 50087F.....
49272	23583	Throat Plate for 49125.....

## LIGHT WEIGHT BAGS

No.	Plate	Name
49153	23583	Feed Dog, 16 teeth (14 teeth to the inch) for 49154.....
49082	23583	Presser Foot.....
49154	23583	Throat Plate, for double thread, for 49153.....

## MEDIUM WEIGHT BAGS

No.	Plate	Name
49025	23584	Feed Dog, 15 teeth (10 teeth to the inch) for 49131.....
50087F	23584	Presser Foot Hinge Screw.....
49126	23584	" " Plate.....
49127	23584	" " Shank.....
49128	23584	Presser Foot (hinged) complete, Nos. 49126, 49127 and 50087F.....
49131	23584	Throat Plate, for double thread, for 49025

## CLOTH PLATE

FOR USE WHEN MACHINE IS MOUNTED SUBMERGED IN TABLE

No.	Plate	Name
49298	23585	Cloth Plate with 624C and two 46224.....
49299	23585	" " Extension.....
203J	23585	" " " Screw (2).....
49300	23585	Cloth Plate complete, Nos. 49017, 49054, 49298, 52877, 142906 and two 226J...
142906	23585	Looper Gate.....
52877	23585	" " Hinge Pin.....
624C	23585	" " " " Set Screw.....

## ACCESSORIES

No.	Plate	Name
120344	23586	Oiler (copper plated) with 120345, capacity (5 fluid oz.).....
120345	23586	Oiler Spout, 4 1/2 in. long.....

No.	Plate	Name
11831	23586	Screw Driver (large).....
26026	23586	" " (small).....
120341	23586	Tweezers (curved).....
8908	23586	Wrench for 1520.....
8909	23586	" " 1513 and 1518.....
19079	23586	" " 1027, 1083, 1628 and 1629....
19221	23586	" " 936 and 1619.....
23766	23586	" " 1508 and 1518.....
49079	23586	" " 1714.....

## FOOT LIFTER PARTS

No.	Plate	Name
6439	23588	Chain, 36 in. to 45 in., with 56864 and 56865.....
Note: When ordering No. 6439, give length required.		
4879	23588	Chain Connecting Link.....
56864	23588	" Hook (large).....
56865	23588	" " (small).....
49160	23588	Lifting Lever.....
802D	23588	" " Hinge Screw.....
49161	23588	" " Link.....
50183D	23588	" " " Hinge Screw.....
49162	23588	" " Spring.....
4881	23588	Treadle.....
4882	23588	" Shaft.....
4883	23588	" Spring.....
4884	23588	" Stand.....
4885	23588	Treadle complete, Nos. 4879, 4881 to 4884 and two wood screws 1 in. No. 16....
49164	23588	Foot Lifter complete, Nos. 802D, 4885, 6439, 49160 to 49162 and 50183D.....

## KNEE LIFTER PARTS

No.	Plate	Name
49159	23589	Chain, length 13 1/2 in., with 39575 and 39576.....
39575	23589	Chain Hook (lower).....
39576	23589	" " (upper).....
49160	23589	Lifting Lever.....
802D	23589	" " Hinge Screw.....
49161	23589	" " Link.....
50183D	23589	" " " Hinge Screw.....
49162	23589	" " Spring.....



No.	Plate	Name
7124	23589	Rock Shaft.....
2764	23589	" " Hanger (back) with two wood screws 1 in. No. 10.....
16128	23589	Rock Shaft Hanger (front) with two wood screws 1 in. No. 10.....
16646	23589	Rock Shaft Knee Arm.....
16647	-----	Rock Shaft Knee Arm complete, Nos. 2766, 2767 and 16646.....
2766	23589	Rock Shaft Knee Arm Hub with 356C.....
356C	23589	" " " " " Set Screw.....
2767	23589	" " " Plate with 356C.....
356C	23589	" " " " " Set Screw.....
6337	23589	" " " Lifting Bracket with two 356C
6338	23589	" " " " " Hook.....
356C	23589	" " " " " Set Screw
356C	23589	" " " " " Set Screw (2)
2770	23589	" " Stop Dog with 356C (2).....
356C	23589	" " " " " Set Screw.....
16129	23589	Rock Shaft complete, Nos. 2764, 6337, 6338, 7124, 16128, 16647 and two 2770..
49163	23589	Knee Lifter complete, Nos. 802D, 16129, 49159 to 49162 and 50183D.....

## MACHINE BASE

No.	Plate	Name
142915	23587	Machine Base.....
131205	23587	" " Screw Stud (3).....
131022	23587	" " " " " Bushing (rubber) (3).....
57285	23587	Machine Cushion (felt) (3).....
142916	23587	Machine Base complete, Nos. 142915 and three each 57285 and 131205.....
131185	23587	Jar (glass).....
131191	23587	" Cap.....
131188	23587	" Clamp.....
131217	-----	" " 131188 with 131189.....
131189	23587	" " Lever.....
1247C	23587	" " " Hinge Screw.....
131265	23587	Nipple (long) (2).....
131266	23587	" (short).....
131267	23587	" Elbow (2).....
140245J	23587	Machine Base Thumb Screw with 49095.....
49095	23587	" " " " " Washer.....
131268	23587	Machine Base Oil Drain Jar (swinging type) complete, Nos. 131185, 131191, 131217, 131266 and two each 1247C, 131265 and 131267.....
142917	23587	Machine Base with Oil Drain Jar complete, Nos. 131268 and 142916.....

## THREAD UNWINDER

FOR TWO SPOOLS OR TWO LARGE CONES OF THREAD

No.	Plate	Name
225257	22248	Spool Rest with 201018C.....
150203	22248	" " Cushion (felt).....
225388	22248	" " Rod.....
200383C	22248	" " " Set Screw.....
201018C	22248	" " Set Screw.....
202490	22248	" Stand with 200383C.....
225391	22248	Thread Guide.....
201696J	22248	" " Lock Nut.....
225326	22248	" " Position Cup.....
225324	22248	" " Rod with 208E and 225322...
208E	22248	" " " Screw.....
225322	22248	" " " Washer.....
225258	22248	Thread Unwinder complete, Nos. 201696J, 202490, 225257, 225324, 225326, 225388, two each 150203, 225391 and three wood screws 7/8 in. No. 12.....
27739	22248	Thread Cone (wood) for large cones.....
225390	22248	" " Holder, for inverted cones..

Note: Nos. 27739 and 225390 are used with, but not included in 225258.

**Genuine Singer Needles should be used in Singer Machines. These Needles and their Containers are marked with the Company's Trade Mark "SIMANCO." 1**

**Needles in Containers marked "For Singer Machines" are not Singer made needles. 2**

Genuine Singer Needles should be used  
in Singer Machines.  
These Needles and their Containers  
are marked with the  
Company's Trade Mark "SIMANCO." 1

Needles in Containers marked  
"For Singer Machines"  
are not Singer made needles. 2

NUMERICAL  
LIST  
OF PARTS

## NUMERICAL LIST OF PARTS

No.	Plate	Name
85D	23580	Arm Top Cover Hinge Screw.....
90F	23580	" " " Position Screw.....
144D	23576	" Rotary Shaft Screw.....
145E	23577	Crank Connecting Rod Cap Screw for 142901 (2).....
157J	23576	Looper Carrier Hinge Pin Clamping Screw for 142920.....
159F	23576	Arm Rotary Shaft Flanged Bushing (back) Screw (3).....
171F	23577	Looper Bell Crank Pitman Cap (lower) Screw for 49158 (2).....
171E	23577	Looper Carrier Pitman Cap (left) Screw for 49088 (2).....
171E	23577	Looper Carrier Pitman Cap (right) Screw for 49089 (2).....
172C	23581	Feed Dog Screw.....
172F	23577	Thread (under) Eyelet Screw.....
175E	23576	Looper Carrier Clamping Screw for 49044 (2).....
176J	23579	Arm Side Cover (back) Retainer Screw (4)
176J	23579	" " " (front) Retainer Screw (4)
176J	23581	Presser Foot Screw.....
190E	23579	Arm Bottom Cover Screw (16).....
190J	23577	Thread (under) Take-up Screw.....
190J	23580	" Guide (double) side of arm Screw.
193F	23579	Face Plate Screw (3).....
194D	23581	Guide Screw Stud.....
202F	23576	Looper Carrier Hinge Pin Collar Set Screw for 49166 (2).....
203J	23585	Cloth Plate Extension Screw, for use when Machine is mounted submerged in table (2).....
208E	23248	Thread Unwinder Thread Guide Rod Screw for 225324.....
217D	23578	Presser Bar Lifter Cap Screw.....
217D	23578	" " Lifting Link Cap Screw.....
220D	23576	Feed Dog Stop Screw for 49021.....
226J	23579	Looper Gate Lock Spring Screw for 49176 and 49300 (2).....
356C	23589	Rock Shaft Knee Arm Hub Set Screw for 2766.....
356C	23589	Rock Shaft Knee Plate Set Screw for 2767
356C	23589	" " Lifting Bracket Hook Set Screw for 6337.....
356C	23589	Rock Shaft Lifting Bracket Set Screw for 6337.....

## NUMERICAL LIST OF PARTS

No.	Plate	Name
356C	23589	Rock Shaft Stop Dog Set Screw for 2770..
430C	23577	Arm Rock Shaft Flanged Bushing (front) Set Screw.....
430C	23576	Arm Rotary Shaft Bushing (front) Set Screw.....
435C	23578	Needle Bar Bushing (lower) Set Screw....
435C	23578	Presser Bar Bushing (lower) Set Screw...
446C	23576	Arm Rotary Shaft Flanged Bushing (inter- mediate) Set Screw.....
448C	23577	Arm Rock Shaft Bushing (intermediate) Set Screw.....
448C	23577	Looper Bell Crank Hinge Stud Set Screw..
453C	23577	Arm Rock Shaft Bushing (back) Set Screw.
453C	23577	" " Collar Set Screw for 54004 (2).....
453C	23576	Looper Carrier Rock Shaft Collar Set Screw for 11411.....
453C	23579	Looper Gate Hinge Pin Set Screw for 49116.....
453C	23578	Presser Bar Lifter Hinge Stud Set Screw for 49065.....
453C	23578	Presser Bar Lifting Bracket Set Screw...
457C	23576	Feed Bar Hinge Pin Set Screw for 49021..
457C	23576	" Lifting Eccentric Connection Hinge Pin Set Screw for 49253.....
457C	23578	Thread (upper) Take-up Set Screw for 49075.....
574W	23580	Pressure Regulating Thumb Screw.....
590D	23581	Looper Thread Guard Screw for 49036.....
624C	23585	" Gate Hinge Pin Set Screw for 49298.....
665J	23581	Throat Plate Thread Retainer Screw for 49132.....
671D	23581	Guide Thumb Screw.....
691F	23581	Throat Plate Screw (2).....
724D	23578	Presser Bar Lifting Link Hinge Screw....
725J	23579	Cloth Plate Slide Spring Screw for 49017 (2).....
802D	23588	Lifting Lever Hinge Screw for 49163 and 49164.....
858C	23577	Arm Oil Plug Screw.....
892F	23578	Presser Bar Lifting Bracket Adjusting Screw for 49065.....
896C	23576	Feed Connecting Rod Cap Screw for 49023 (2).....
896C	23576	Feed Lifting Eccentric Connection Cap Screw for 49253 (2).....
914F	23580	Thread (upper) Controller Screw.....
974F	23580	" " " Hinge Screw...
1036C	23576	Looper Eccentric Set Screw for 49142 (2)

## NUMERICAL LIST OF PARTS

No.	Plate	Name
1057C	23577	Looper Bell Crank Pitman Cap (upper) Screw for 49158 (2).....
1110C	23580	Tension (under thread) Screw Stud for 20972.....
1110C	23580	Tension (upper thread) Screw Stud for 20972.....
1133E	23578	Needle Bar Bushing (upper) Set Screw....
1133E	23578	Presser Bar Bushing (upper) Set Screw...
1147C	23577	Looper Carrier Pitman Ball Stud (left) Set Screw for 49044 (2).....
1147C	23576	Looper Set Screw.....
1177E	23576	Feed Rock Shaft Crank Clamping Screw for 49267 (2).....
1247C	23587	Machine Base Jar Clamp Lever Hinge Screw for 131268.....
1259C	23576	Arm Rotary Shaft Collar Set Screw for 49010 (2).....
1259C	23576	Feed Eccentric Set Screw for 49026 (2)..
1259C	23576	" Lifting Eccentric Set Screw for 49113 (2).....
1454E	23578	Needle Bar Connecting Link Clamping Screw for 49268.....
1508J	23576	Feed Rock Shaft Hinge Pin Nut for 142927
1508J	23576	" " " " " Screw Bearing Nut for 142928.....
1513J	23577	Crank Connecting Rod Hinge Screw Nut for 142903.....
1517J	23578	Needle Bar Connecting Link Hinge Stud Nut.....
1518J	23577	Looper Bell Crank Pitman Ball Screw Stud (lower) Nut.....
1518J	23577	Looper Carrier Pitman Ball Screw Stud Nut.....
1539W	23580	Pressure Regulating Thumb Screw Lock Nut
1560C	23580	Tension (under thread) Regulating Thumb Nut for 20972.....
1560C	23580	Tension (upper thread) Regulating Thumb Nut for 20972.....
1619E	23577	Looper Bell Crank Pitman Ball Screw Stud (upper) Nut.....
1629C	23578	Needle Clamping Nut.....
1708E	23577	Looper Carrier Pitman Rod Nut (left) for 49045.....
1709E	23577	Looper Carrier Pitman Rod Nut (right) for 49045.....
1714C	23576	Feed Regulating Screw Stud Nut.....
1733	23576	Oil Pipe Coupling Nut (brass) for 142910 (2).....
2102	23580	Tension (under thread) Disc (2).....
2102	23580	" (upper thread) Disc (2).....

No.	Plate	Name
2653	23576	Arm Oil Tube Packing Stop Pin for 49172.
2653	23576	Feed Connecting Rod Oil Pad Pin for 49023.....
2653	-----	Feed Lifting Eccentric Connection Oil Pad Pin for 49253.....
2764	23589	Rock Shaft Hanger (back) with two wood screws 1 in. No. 10, for 16129.....
2766	23589	Rock Shaft Knee Arm Hub with 356C, for 16647.....
2767	23589	Rock Shaft Knee Plate with 356C, for 16647.....
2770	23589	Rock Shaft Stop Dog with 356C, for 16129
4784	23576	Feed Connecting Rod Oil Pad (felt) for 49023.....
4784	23576	Looper Carrier Oil Pad (felt) for 49044.
4879	23588	Chain Connecting Link for 4885.....
4881	23588	Treadle for 4885.....
4882	23588	" Shaft for 4885.....
4883	23588	" Spring for 4885.....
4884	23588	" Stand for 4885.....
4885	23588	Treadle complete for 49164, Nos. 4879, 4881 to 4884 and two wood screws 1 in. No. 16.....
6337	23589	Rock Shaft Lifting Bracket with two 356C, for 16129.....
6338	23589	Rock Shaft Lifting Bracket Hook for 16129.....
6439	23588	Chain, 36 in. to 45 in., with 56864 and 56865, for 49164.....
7124	23589	Rock Shaft for 16129.....
8908	23586	Wrench for 1520 (Accessories).....
8909	23586	" for 1513 and 1518 (Accessories)
10148	23580	Tension (under thread) Spring.....
11411	23576	Looper Carrier Rock Shaft Collar with 453C.....
11831	23586	Screw Driver (large) Accessories.....
13710	23580	Tension (upper thread) Spring.....
*15404	-----	Trade Mark for 49277.....
15405	-----	" " Rivet for 49277 (2).....
16128	23589	Rock Shaft Hanger (front) with two wood screws 1 in. No. 10, for 16129.....
16129	23589	Rock Shaft complete for 49163, Nos. 2764, 6337, 6338, 7124, 16128, 16647 and two 2770.....
16646	23589	Rock Shaft Knee Arm for 16647.....
16647	-----	Rock Shaft Knee Arm complete for 16129, Nos. 2766, 2767 and 16646.....
18130	23577	Arm Oil Tube with 52045, for oiling Arm Rock Shaft Front Bearing for 49277..
19054	-----	Arm Top Cover Hinge Screw Friction Washer (heavy).....

No.	Plate	Name
19079	23586	Wrench for 1027, 1083, 1628 and 1629 (Accessories).....
19221	23586	Wrench for 936 and 1619 (Accessories).
20972	-----	Tension (under thread) Screw Stud 1110C with 1560C.....
20972	-----	Tension (upper thread) Screw Stud 1110C with 1560C.....
23766	23586	Wrench for 1508 and 1518 (Accessories)
23873	23576	Balance Wheel, 2 1/8 in. pulley, with two 51283C.....
26026	23586	Screw Driver (small) Accessories.....
27398	23576	Feed Rock Shaft Washer (2).....
27739	22248	Thread Unwinder Thread Cone (wood) for large cones.....
29572	23580	Arm Top Cover Gasket Rivet for 49296 (2)
32039	23580	" " " Hinge Screw Friction Washer (light).....
36221	23581	Guide.....
38419	23579	Cloth Plate Slide Spring for 49017.....
38468	23580	Presser Bar Spring Stud.....
39541	23580	Thread (upper) Controller Screw Washer..
39575	23589	Chain Hook (lower) for 49159.....
39576	23589	" " (upper) for 49159.....
46224	23579	Cloth Plate Oil Cup for 49175 and 49298 (2).....
46237	23577	Looper Carrier Pitman Ball Stud (left) for 49088.....
49010	23576	Arm Rotary Shaft Collar with two 1259C..
49012	23576	" " " Flanged Bushing (back) with 49013 and 49093.....
49013	23576	Arm Rotary Shaft Flanged Bushing (back) Oil Pad (short) braided cotton, for 49012.....
49013	23576	Feed Rock Shaft Oil Cup Packing (braided cotton) for 49179.....
49016	23579	Cloth Plate Slide for 49017.....
49017	23579	Cloth Plate Slide complete for 49176 and 49300, Nos. 38419, 49016 and two 725J
49020	23579	Face Plate.....
49021	23576	Feed Bar with 220D and 457C.....
49022	23576	" " Hinge Pin.....
49023	23576	" Connecting Rod with 2653, 4784 and two 896C.....
49025	23581	Feed Dog, 15 teeth (10 teeth to the inch) for 49131 and 49132.....
49026	23576	Feed Eccentric with two 1259C.....
49030	23576	" Lifting Eccentric Connection Hinge Pin.....

## NUMERICAL LIST OF PARTS

No.	Plate	Name
49031	23576	Feed Regulating Screw Stud Sleeve.....
49032	23576	" " " " Washer.....
49036	23581	Looper (double thread) with 590D and 49080.....
49037	23581	Looper (single thread).....
49039	23577	" Bell Crank Hinge Stud.....
49043	23577	" " " Pitman Washer (fibre).
49043	23577	" Carrier Pitman Washer (fibre)....
49044	23576	" " with 4784 and two each 175E, 1147C and 59019, for 142919...
49045	-----	Looper Carrier Pitman complete, Nos. 1708E, 1709E, 49046, 49088 and 49089
49046	23577	Looper Carrier Pitman Rod for 49045.....
49049	23576	" " Rock Shaft Crank (back) Slide Block for 49258.....
49053	23579	Looper Gate Hinge Pin for 49176.....
49054	23579	" " Lock Spring for 49176 and 49300.....
49055	23578	Needle Bar (hollow).....
49056	23578	" " Bushing (upper).....
49057	23578	" " Connecting Link Hinge Stud for 49167.....
49059	23578	Presser Bar.....
49061	23578	" " Bushing (upper).....
49062	23578	" " Lifter.....
49063	23578	" " " Friction Washer.....
49064	23578	" " " Hinge Stud.....
49065	23578	" " Lifting Bracket with 453C and 892F.....
49066	23578	Presser Bar Lifting Link.....
49067	23580	" " Spring (flat).....
49068	23582	" Foot Plate for 49070.....
49069	23582	" " Shank for 49070.....
49070	23582	Presser Foot (hinged) complete, Nos. 49068, 49069 and 50087E.....
49071	23577	Thread (under) Eyelet.....
49072	23577	" " Take-up.....
49073	23580	" (upper) Controller.....
49075	23578	" " Take-up with 457C.....
49078	23581	Throat Plate Thread Retainer for 49132..
49079	23586	Wrench for 1714 (Accessories).....
49080	23581	Looper Thread Guard for 49036.....
49082	23583	Presser Foot.....
49088	23577	Looper Carrier Pitman Head (left) Nos. 46237 and two 171E, for 49045.....
49089	23577	Looper Carrier Pitman Head (right) Nos. 140206C and two 171E, for 49045.....
49093	23576	Arm Rotary Shaft Flanged Bushing (back) Oil Pad (long) braided cotton, for 49012.....

## NUMERICAL LIST OF PARTS

No.	Plate	Name
49095	23587	Machine Base Thumb Screw Washer for 140245J.....
49097	23576	Arm Rotary Shaft for 49285.....
*49101	23578	Needle Bar Connecting Link for 49167....
49103	23582	Feed Dog (spiked teeth) 15 teeth (11 teeth to the inch) for 49131.....
49113	23576	Feed Lifting Eccentric with two 1259C...
49116	23579	Looper Gate with 453C, for 49176.....
49125	23583	Feed Dog, 17 teeth (12 teeth to the inch) for 49272.....
49126	23581	Presser Foot Plate for 49128.....
49127	23581	" " Shank for 49128.....
49128	23581	Presser Foot (hinged) complete for 49025, Nos. 49126, 49127 and 50087F.
49131	23581	Throat Plate, for double thread, for 49025 and 49103.....
49132	23581	Throat Plate with 665J and 49078, for single thread, for 49025.....
49142	23576	Looper Eccentric with two 1036C, for 49258.....
49153	23583	Feed Dog, 16 teeth (14 teeth to the inch) for 49154.....
49154	23583	Throat Plate, for double thread, for 49153.....
49156	23577	Arm Rock Shaft for 49271.....
49158	23577	Looper Bell Crank Pitman with two each 171E and 1057C, for 49250.....
49159	23589	Chain, length 13 1/2 in., with 39575 and 39576, for 49163.....
49160	23588	Lifting Lever for 49163 and 49164.....
49161	23588	" " Link for 49163 and 49164..
49162	23588	" " Spring for 49163 and 49164
49163	23589	Knee Lifter complete, Nos. 802D, 16129, 49159 to 49162 and 50183D.....
49164	23588	Foot Lifter complete, Nos. 802D, 4885, 6439, 49160 to 49162 and 50183D.....
49165	23576	Looper Carrier Hinge Pin for 142919.....
49166	23576	" " " " Collar with two 202F, for 142919.....
49167	-----	Needle Bar Connecting Link 49101 with 49057 and 49268.....
49172	23576	Arm Oil Tube with 2653 and 49174 for oiling Feed Connecting Rod.....
49174	23576	Arm Oil Tube Packing (braided cotton) for 49172.....
49175	23579	Cloth Plate with two 46224, for 49176...
49176	23579	Cloth Plate complete, Nos. 49017, 49053, 49054, 49116, 49175 and two 226J....
49177	23576	Feed Rock Shaft for 49178.....
49178	-----	Feed Rock Shaft complete, Nos. 49177, 49179 and 49267.....
49179	23576	Feed Rock Shaft Oil Cup with 49013, for 49178.....
49190	23576	Oil Pipe Coupling (right).....

## NUMERICAL LIST OF PARTS

No.	Plate	Name
49191	-----	Oil Pipe Sleeve for 142910 (2).....
49192	23580	Thread Guide (double) side of arm.....
49220	23580	Tension (under thread) Thread Guide.....
*49250	-----	Looper Bell Crank Pitman 49158 with 50069C and 140206C.....
49253	23576	Feed Lifting Eccentric Connection with 457C, 2653, 55515 and two 896C.....
*49258	-----	Looper Eccentric 49142 with 49049.....
49261	23577	Arm Rock Shaft Crank (back) with 50282E and 50457C, for 49271.....
49262	23577	Arm Rock Shaft Crank (front) with 50282E and 50457C.....
49267	23576	Feed Rock Shaft Crank with two 1177E, for 49178.....
49268	23578	Needle Bar Connecting Link with 1454E, for 49167.....
49271	-----	Arm Rock Shaft 49156 and 49261.....
49272	23583	Throat Plate for 49125.....
49275	23576	Looper Carrier Rock Shaft.....
49276	23576	" " " " Crank (back) forked, with 140174C.....
*49277	-----	Arm, upper and lower (solid) with 15404, 18130, two 15405 and three 131022...
49278	23579	Arm Bottom Cover.....
49279	23579	" " " Gasket (cork).....
49280	23576	" Hole Screw Plug.....
49281	23577	" Rock Shaft Bushing (back).....
49282	23577	" " " " Cap.....
49283	23577	" " " " Washer
49284	23577	" " " " (intermediate)...
49285	-----	" Rotary Shaft 49097 with 142903.....
*49286	-----	" " " Bushing (front) for 49287.....
49287	23576	Arm Rotary Shaft Bushing (front) 49286 with 132556.....
49288	-----	Arm Rotary Shaft Flanged Bushing (inter- mediate) for 49289.....
49289	23576	Arm Rotary Shaft Flanged Bushing (inter- mediate) 49288 with 49290.....
49290	23576	Arm Rotary Shaft Flanged Bushing (inter- mediate) Oil Pad (felt) for 49289...
49291	23576	Arm Rotary Shaft Oil Pad (wick) for Front Bearing.....
49292	23579	Arm Side Cover (back).....
49292	23579	" " " (front).....
49293	23579	" " " (back) Gasket (cork)....
49293	23579	" " " (front) Gasket (cork)....
49294	23579	" " " (back) Retainer.....
49294	23579	" " " (front) Retainer.....
49295	23580	" Top Cover for 49296.....

## NUMERICAL LIST OF PARTS

No.	Plate	Name
49296	23580	Arm Top Cover 49295 with 49297 and two 29572.....
49297	23580	Arm Top Cover Gasket for 49296.....
49298	23585	Cloth Plate with 624C and two 46224, for 49300.....
49299	23585	Cloth Plate Extension for use when Ma- chine is mounted submerged in table.
49300	23585	Cloth Plate complete for use when Ma- chine is mounted submerged in table, Nos. 49017, 49054, 49298, 52877, 142906 and two 226J.....
50069C	23577	Looper Bell Crank Pitman Ball Screw Stud (upper) for 49250.....
50085F	23579	Cloth Plate Screw (3).....
50086C	23576	Feed Regulating Screw Stud.....
50087F	23581	Presser Foot Hinge Screw for 49070, 49128 and 142914.....
50147C	23577	Crank Connecting Rod Hinge Screw for 142903.....
50183D	23588	Lifting Lever Link Hinge Screw for 49163 and 49164.....
50249E	23576	Arm Rotary Shaft Oil Pad Cap Screw.....
50282E	23577	" Rock Shaft Crank (back) Set Screw for 49261.....
50282E	23577	Arm Rock Shaft Crank (front) Set Screw for 49262.....
50457C	23577	Arm Rock Shaft Crank (back) Position Screw for 49261.....
50457C	23577	Arm Rock Shaft Crank (front) Position Screw for 49262.....
50183D	23588	Lifting Lever Link Hinge Screw for 49164
51283C	23576	Balance Wheel Set Screw for 23873 (2)...
52045	23577	Arm Oil Tube Packing (wick) for 18130...
52877	23585	Looper Gate Hinge Pin for 49300.....
54004	23577	Arm Rock Shaft Collar with two 453C.....
55515	-----	Feed Lifting Eccentric Connection Oil Pad (braided cotton) for 49253.....
56864	23588	Chain Hook (large) for 6439.....
56865	23588	" " (small) for 6439.....
57285	23587	Machine Base Cushion (felt) for 142916 (3).....
59019	23576	Looper Carrier Gib for 49044 (2).....
68496	23576	Oil Pipe Coupling (left).....
120341	23586	Tweezers (curved) Accessories.....
120344	23586	Oiler (copper plated) with 120345, capacity (5 fluid oz.) Accessories
120345	23586	Oiler Spout, 4 1/2 in. long, for 120344.
127230	23578	Needle Bar Bushing (lower).....
130807	23580	Tension (upper thread) Thread Guide.....
131022	23587	Machine Base Screw Stud Bushing (rubber) for 49277 (3).....

No.	Plate	Name
131185	23587	Machine Base Jar (glass) for 131268.....
131188	23587	" " " Clamp for 131217.....
131189	23587	" " " Lever for 131217.
131191	23587	" " " Cap for 131268.....
131198	23580	Presser Bar Spring (auxiliary) complete.
131205	23587	Machine Base Screw Stud for 142916 (3)..
131217	-----	" " Jar Clamp 131188 with 131189, for 131268.....
131265	23587	Machine Base Nipple (long) for 131268 (2).....
131266	23587	Machine Base Nipple (short) for 131268..
131267	23587	" " " Elbow for 131268 (2)
131268	23587	Machine Base Oil Drain Jar (swinging type) complete for 142917, Nos. 131185, 131191, 131217, 131266 and two each 1247C, 131265 and 131267.....
132556	23576	Arm Rotary Shaft Bushing (front) Oil Pad (braided cotton) for 49287.....
140174C	23576	Looper Carrier Rock Shaft Crank (back) Position Screw for 49276.....
140206C	23577	Looper Bell Crank Pitman Ball Screw Stud (lower) for 49250.....
140206C	23577	Looper Carrier Pitman Ball Screw Stud for 49089.....
140209C	23576	Looper Carrier Rock Shaft Crank (front) Clamping Screw for 142920 (2).....
140217C	23576	Feed Rock Shaft Hinge Pin Screw Bearing for 142928.....
140245J	23587	Machine Base Thumb Screw with 49095.....
142901	23577	Crank Connecting Rod with two 145E, for 142903.....
142903	-----	Crank Connecting Rod 142901 with 1513J and 50147C, for 49285.....
142904	23577	Looper Bell Crank.....
142905	23577	" " " Oil Guard (lower) leather.....
142906	23585	Looper Gate for 49300.....
142907	-----	Oil Gauge for 142908.....
142908	23576	" " 142907 with 142909.....
142909	23576	" " Retaining Spring for 142908...
142910	23576	" " with two each 1733 and 49191, for oiling Arm Rotary Shaft (front) Bearing.....
142911	23578	Presser Bar Bushing (lower).....
142912	23582	" Foot Plate for 142914.....
142913	23582	" " Shank for 142914.....
142914	23582	Presser Foot (hinged) complete, Nos. 50087F, 142912 and 142913.....
142915	23587	Machine Base for 142916.....
142916	23587	Machine Base complete for 142917, Nos. 142915 and three each 57285 and 131205.....

No.	Plate	Name
142917	23587	Machine Base with Oil Drain Jar com- plete, Nos. 131268 and 142916.....
142918	23577	Arm Rock Shaft Flanged Bushing (front)..
*142919	-----	Looper Carrier 49044 with 49165, 49166 and 142920.....
142920	23576	Looper Carrier Rock Shaft Crank (front) with 157J and two 140209C, for 142919.....
142924	23576	Feed Rock Shaft Hinge Pin for 142927....
142925	23577	Looper Bell Crank Oil Guard (upper) rubber.....
142926	23577	Looper Bell Crank Oil Guard (upper) Re- tainer.....
142927	-----	Feed Rock Shaft Hinge Pin 142924 with 1508J.....
142928	-----	Feed Rock Shaft Hinge Pin Screw Bearing 140217C with 1508J.....
150203	22248	Thread Unwinder Spool Rest Cushion (felt) for 225258.....
200383C	22248	Thread Unwinder Spool Rest Rod Set Screw for 202490.....
201018C	22248	Thread Unwinder Spool Rest Set Screw for 225257.....
201696J	22248	Thread Unwinder Thread Guide Lock Nut for 225258.....
202490	22248	Thread Unwinder Spool Stand with 200383C, for 225258.....
225257	22248	Thread Unwinder Spool Rest with 201018C, for 225258.....
225258	22248	Thread Unwinder complete, Nos. 201696J, 202490, 225257, 225324, 225326, 225388, two each 150203, 225391 and three wood screws 7/8 in. No. 12.....
225322	22248	Thread Unwinder Thread Guide Rod Screw Washer for 225324.....
225324	22248	Thread Unwinder Thread Guide Rod with 208E and 225322, for 225258.....
225326	22248	Thread Unwinder Thread Guide Position Cup for 225258.....
225388	22248	Thread Unwinder Spool Rest Rod for 225258.....
225390	22248	Thread Unwinder Thread Cone Holder, for inverted cones.....
225391	22248	Thread Unwinder Thread Guide for 225258.



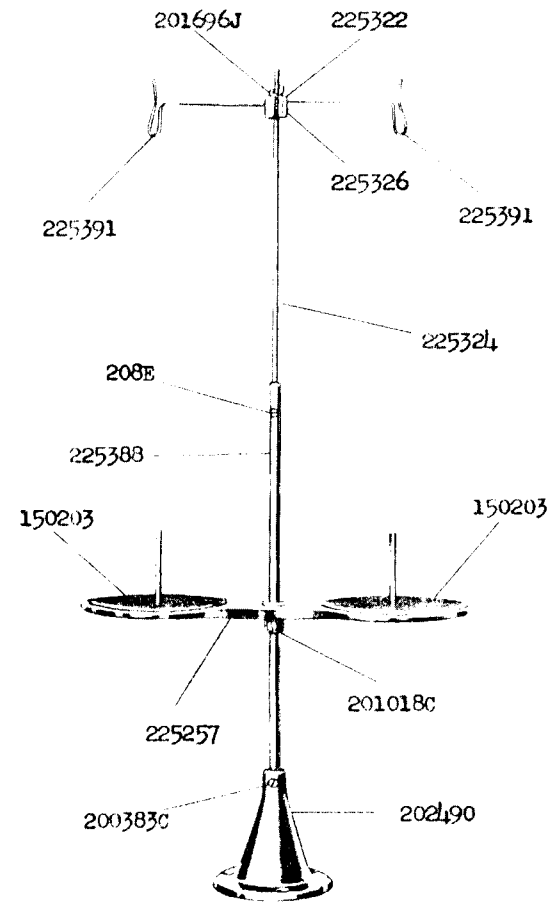
Genuine Singer Needles should be used  
in Singer Machines.  
These Needles and their Containers  
are marked with the  
Company's Trade Mark "SIMANCO." 1

Needles in Containers marked  
"For Singer Machines"  
are not Singer made needles. 2

ILLUSTRATIONS  
OF  
PARTS

22248 - 1/6

225258



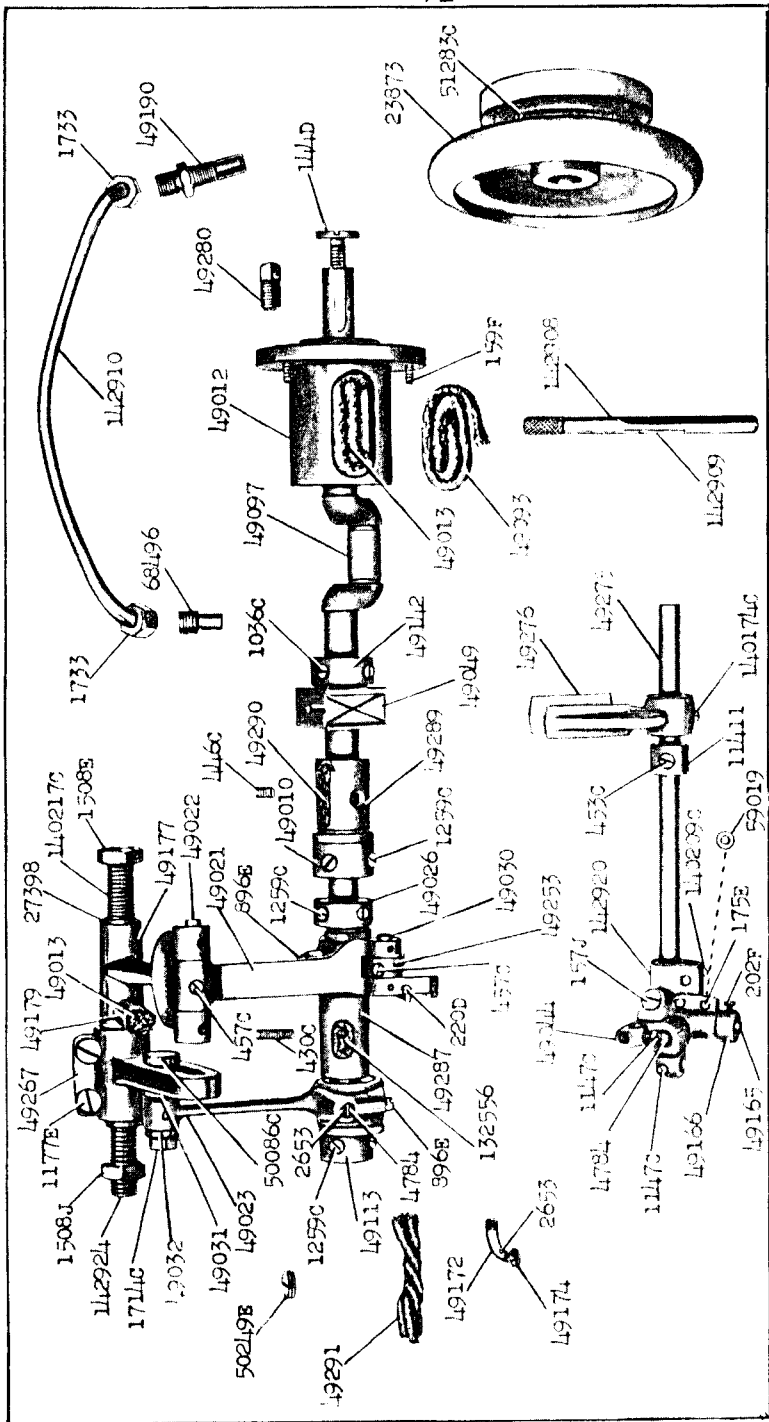
27739



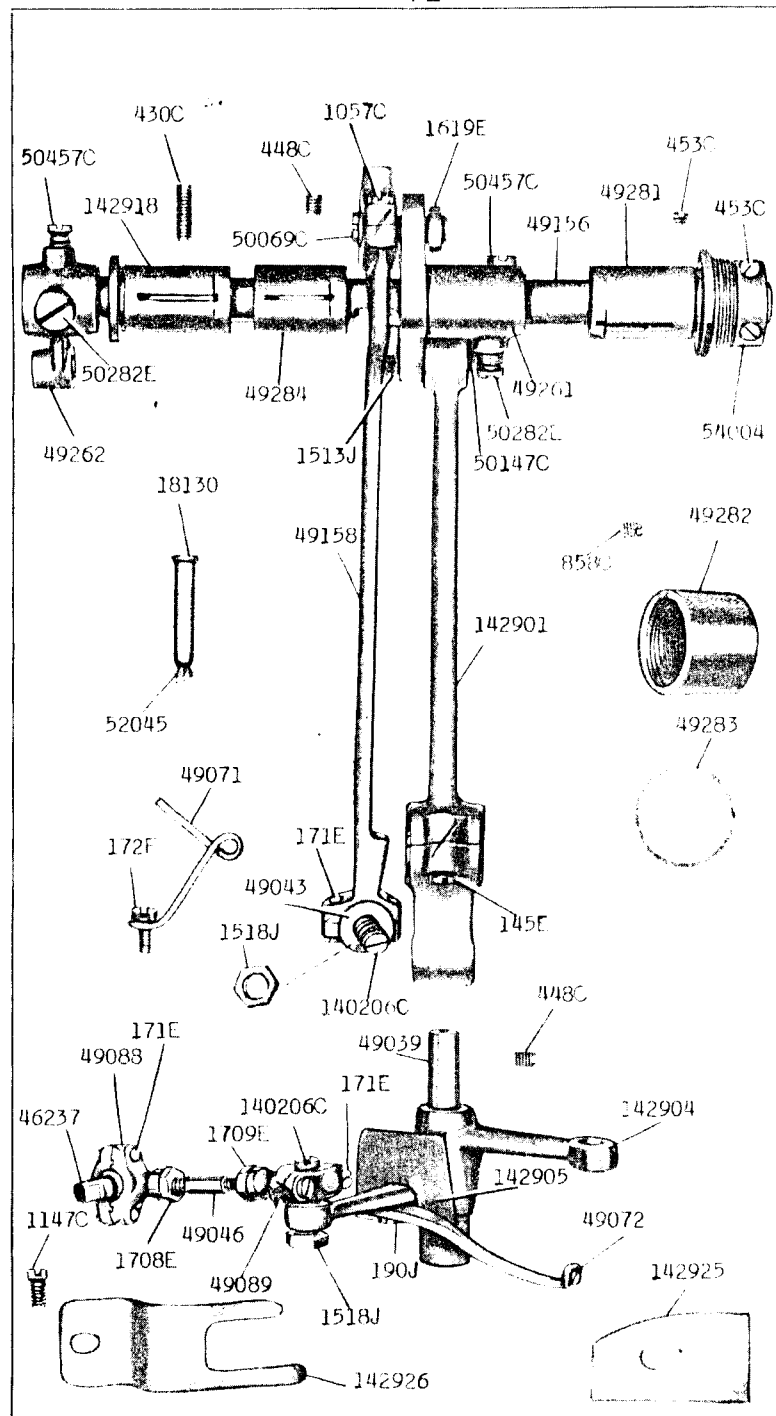
225390



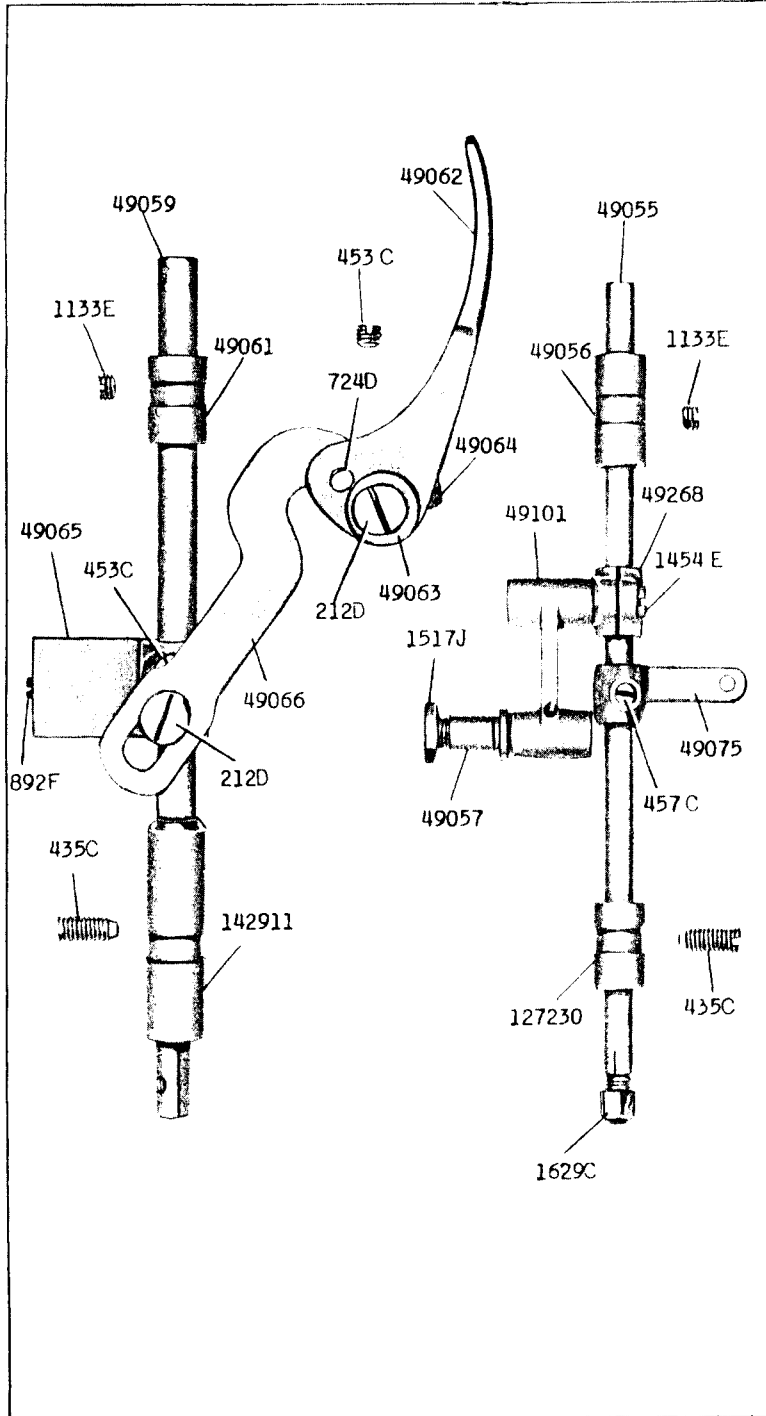
23576 - 1/2



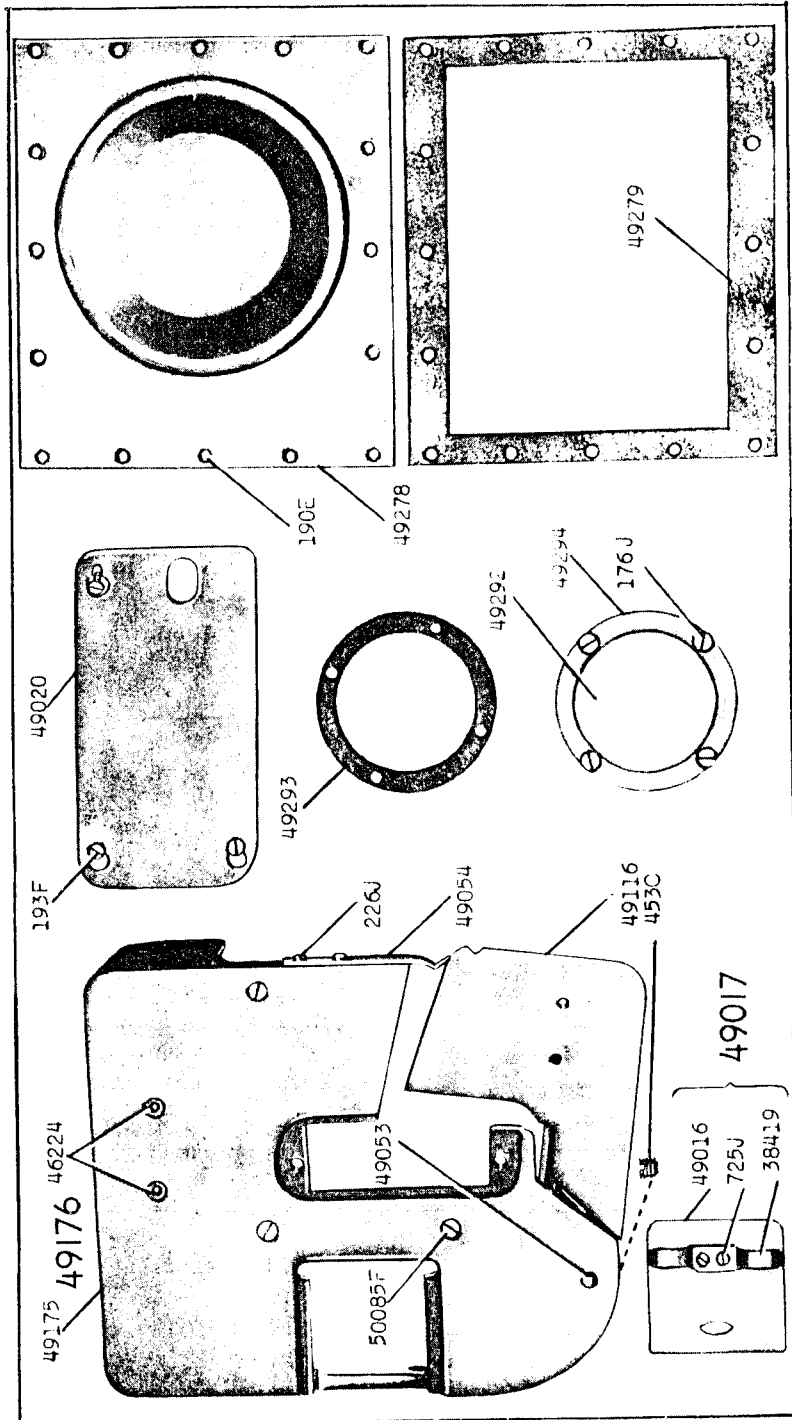
23577 - 1/2

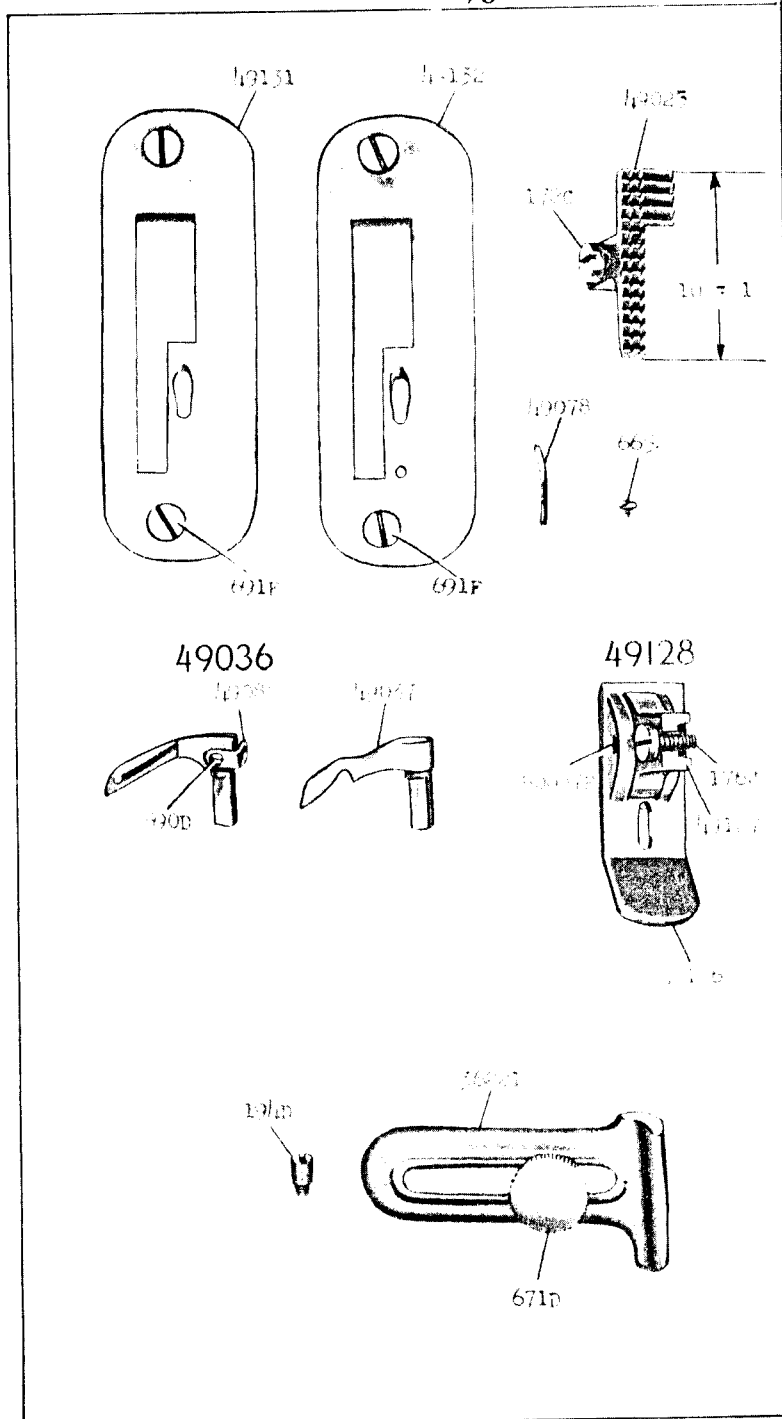
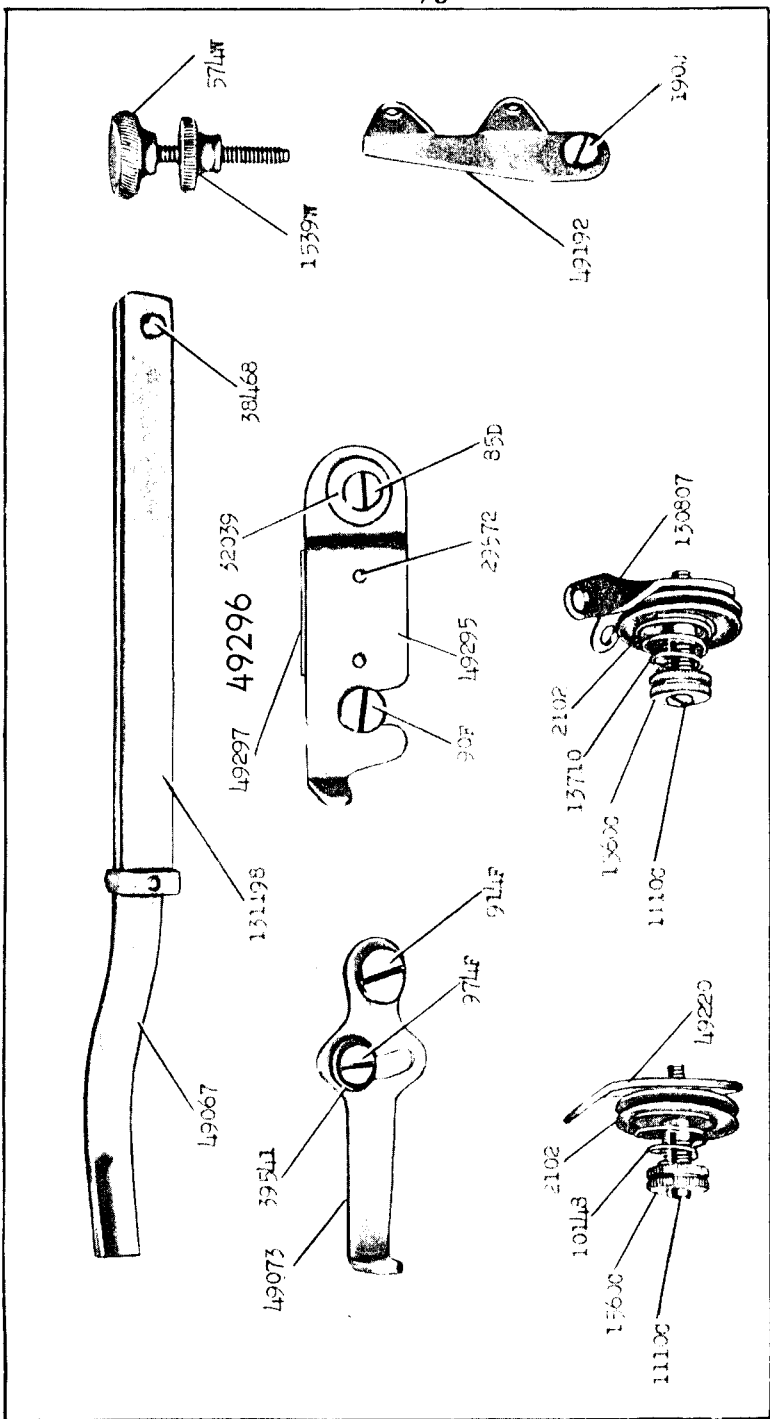


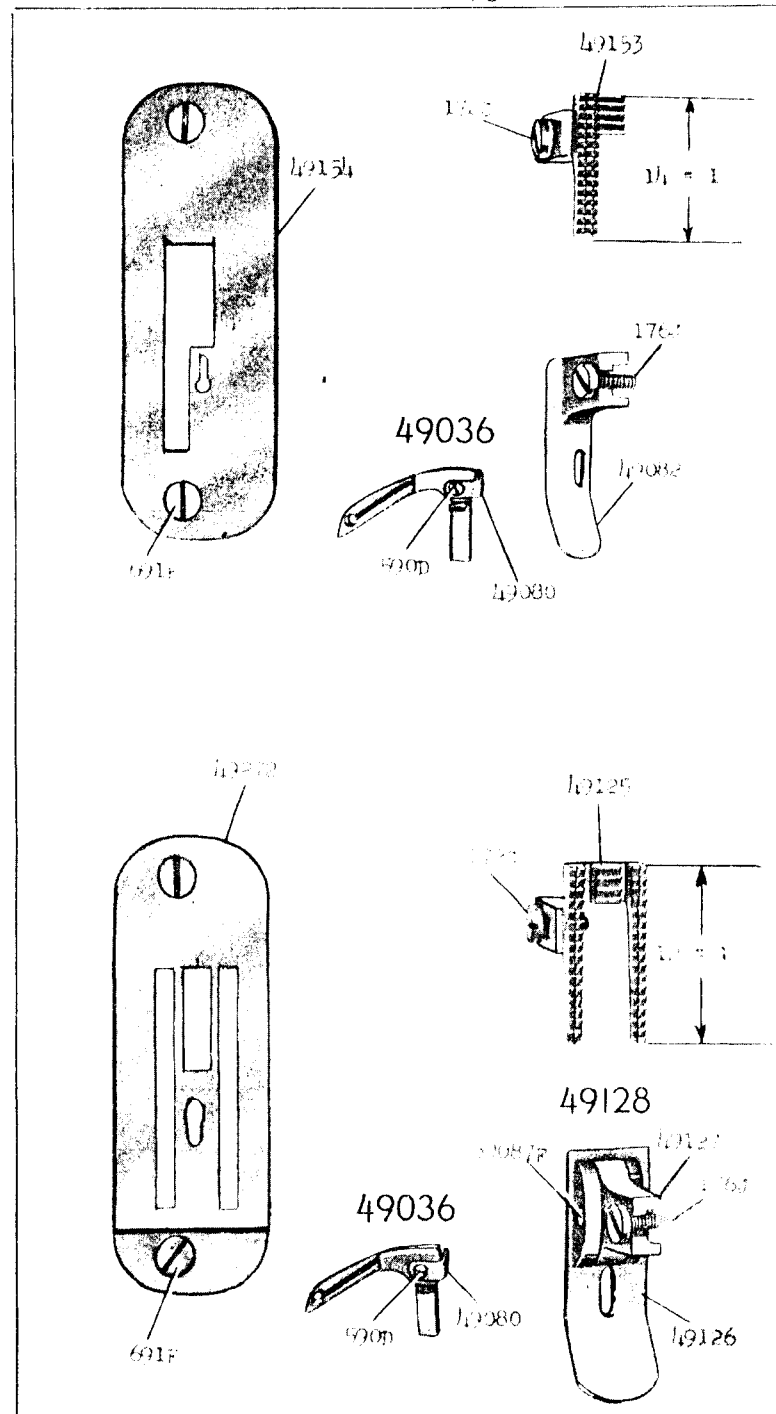
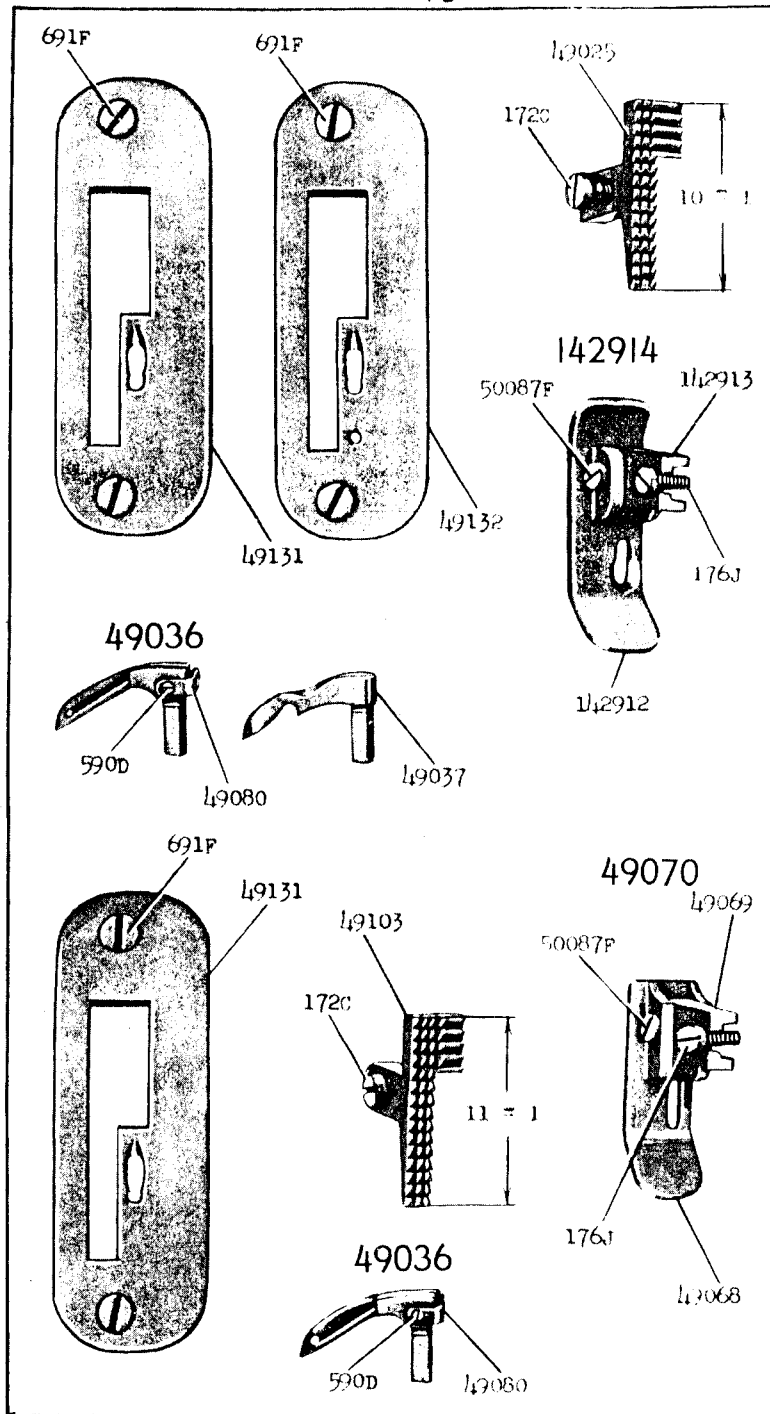
23578 - 2/3



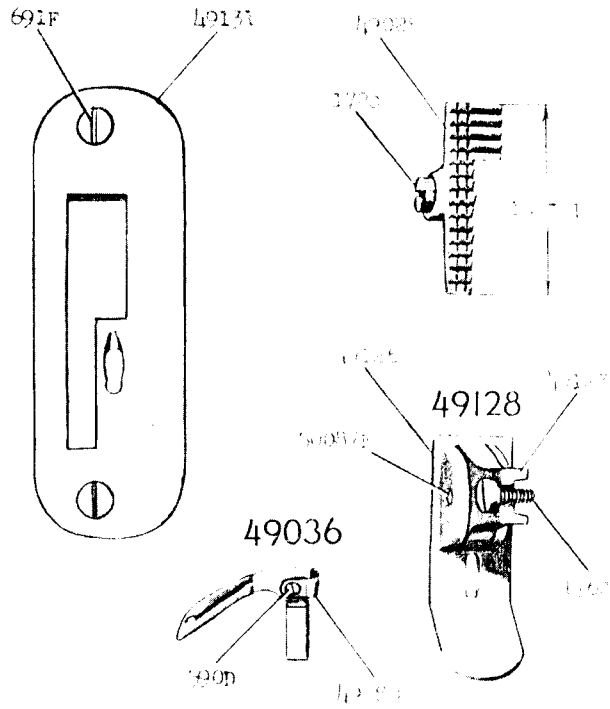
23579 - 1/3



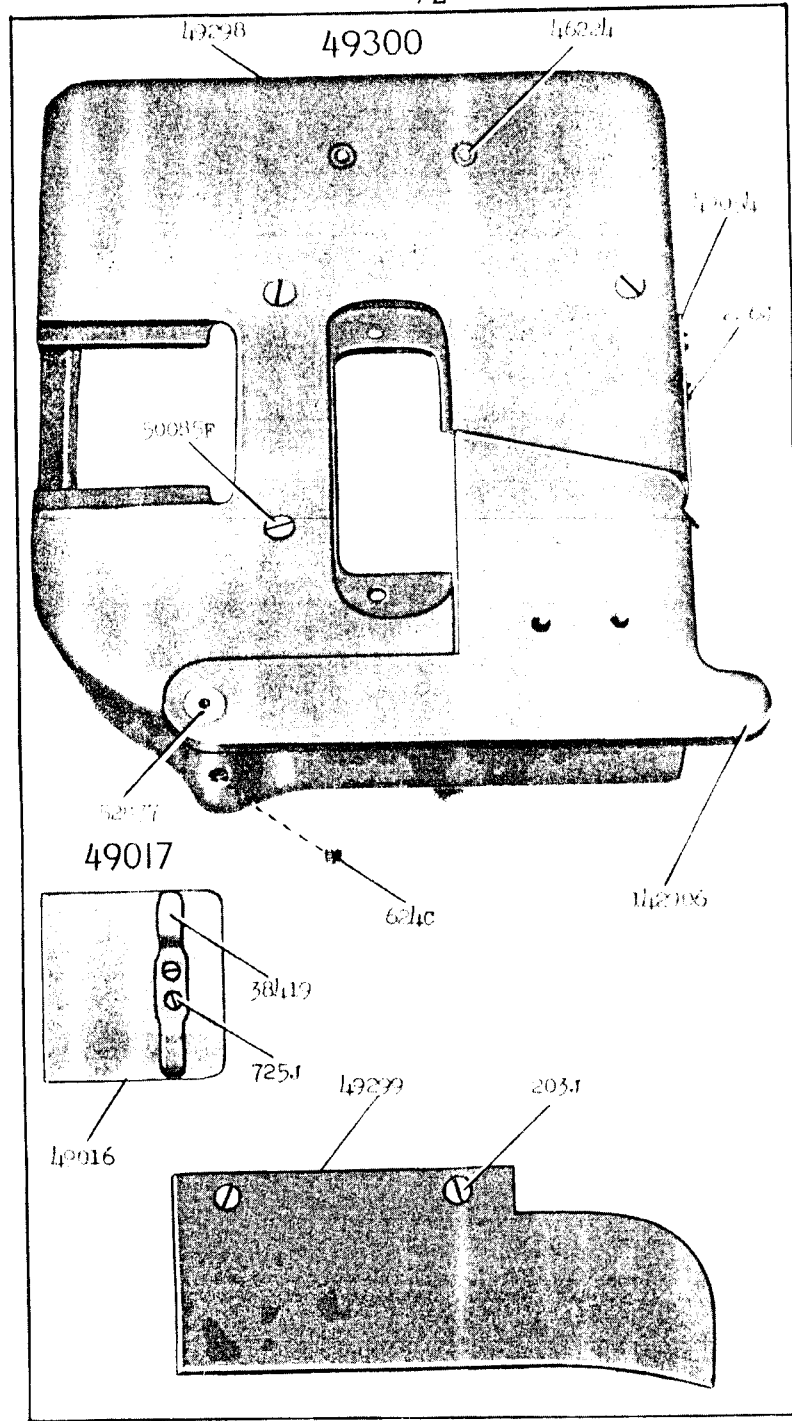




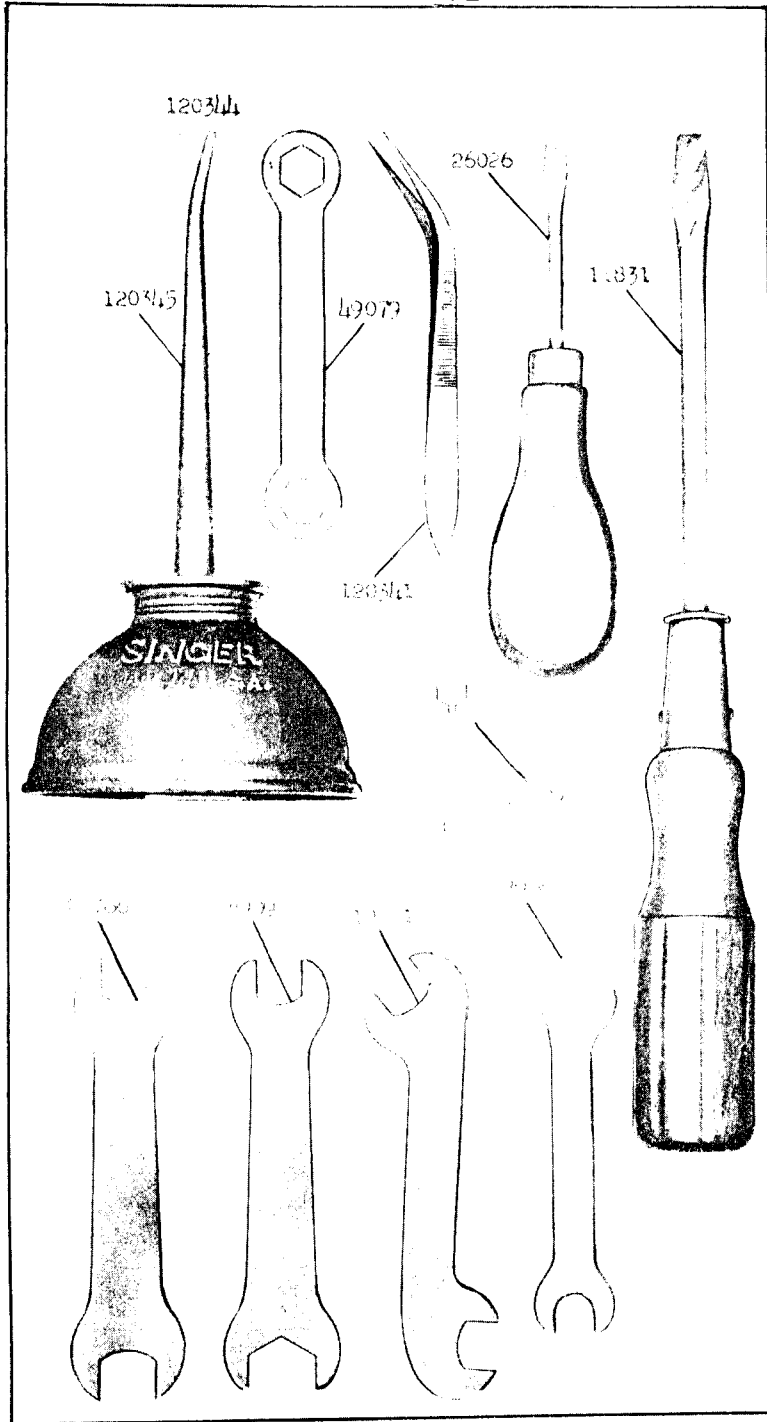
23584 - 2/3



23585 - 1/2



23586 - 1/2



23587 - 1/3

