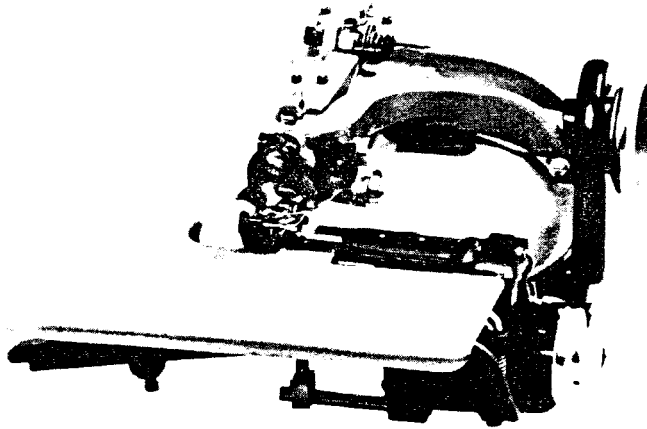


# SINGER\*

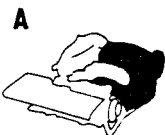


## PARTS LIST

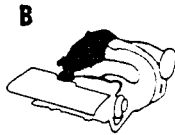
### BLINDSTITCH MACHINE

**MODEL 9 SS-1      9 SS-1B      9 SS-2**

#### SECTIONS



**A**  
**MAIN SHAFT  
GEAR ASSEMBLY  
SKIP CONTROL  
AND CRANK**



**B**  
**NEEDLE SHAFT  
LOOPER ROD  
NEEDLE ECCEN-  
TRIC**



**C**  
**FEED FRAME  
REGULATING  
DIAL**



**D**  
**SWING PLATE  
KNEE LIFT**

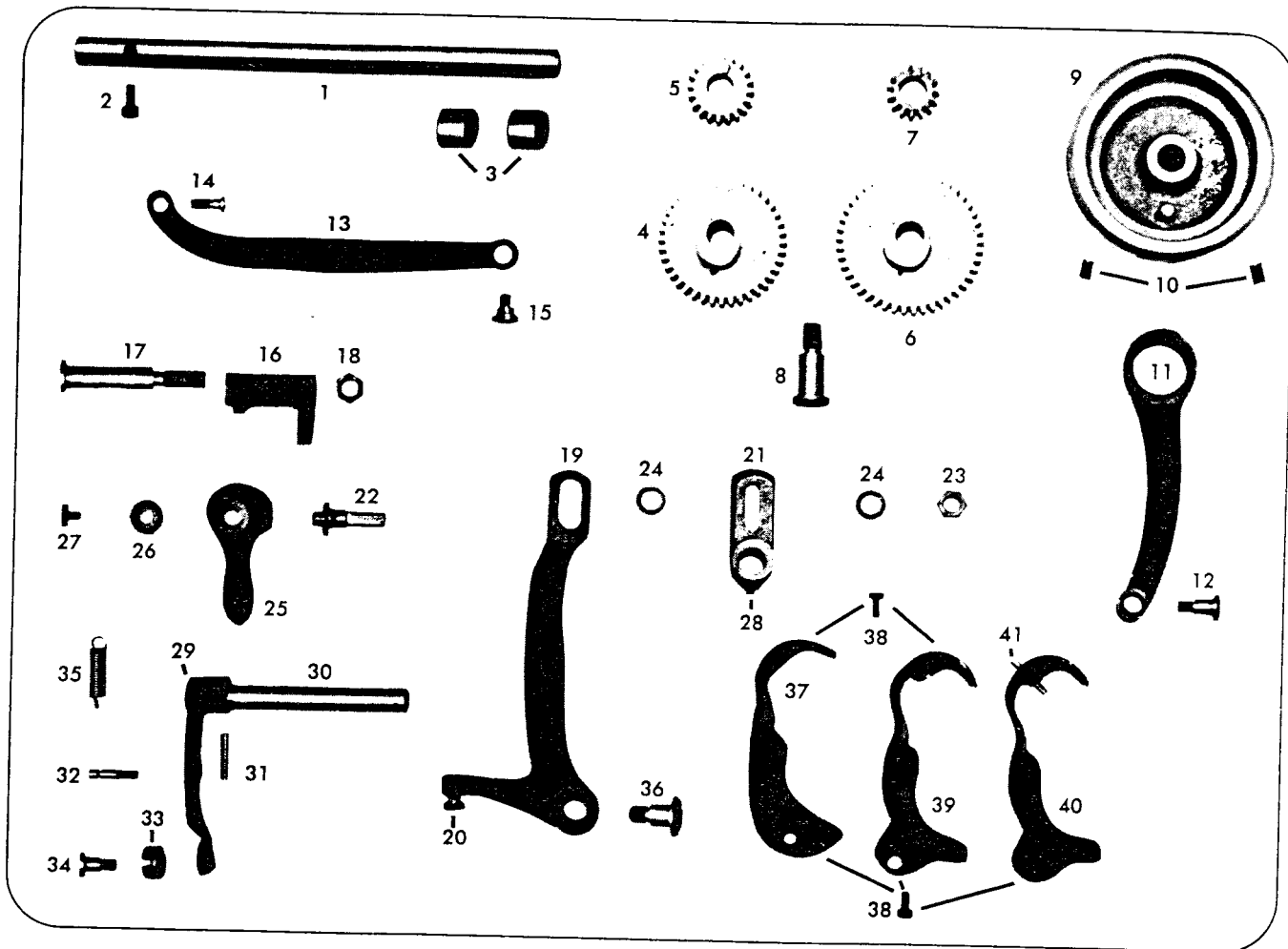


**E**  
**MACHINE  
HEAD**

**SINGER COMPANY OF CANADA LIMITED**

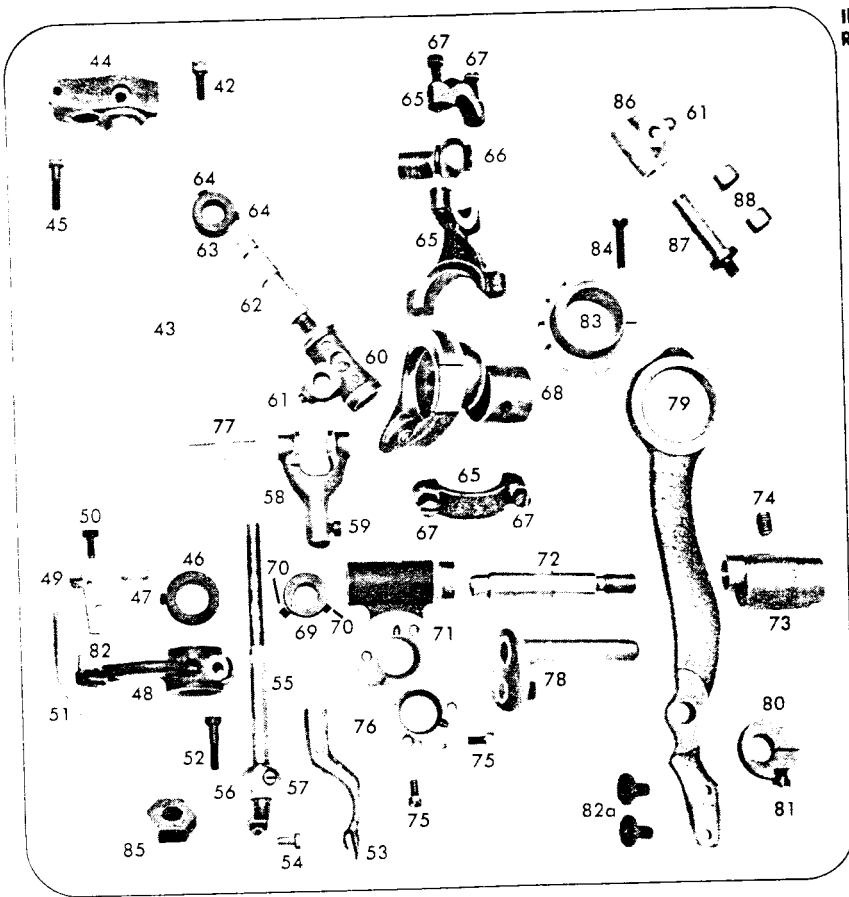
200 ST. LOUIS, ST. JOHN'S P.Q. CANADA

# A MAIN SHAFT GEAR ASSEMBLY



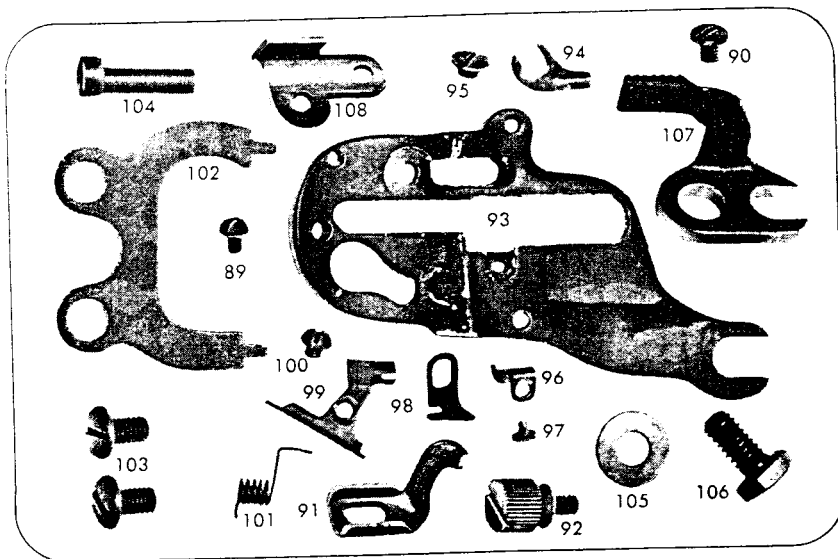
| Illustr. Ref. No. | Part No. | Description   | Illustr. Ref. No. | Part No. | Description                                  |
|-------------------|----------|---|-------------------|----------|--|
| 1                 | 400029   | Main Shaft  |                   | 401831   | Long Lever Assembly, includes the following: |
| 2                 | 402072   | Main Shaft Screw  | 19                | 400177   | Long Lever (Only)                            |
| 3                 | 402415   | Main Shaft Needle Bearing (2) for Model 9SS-1B            | 20                | 400179   | Long Lever Adjusting Screw                   |
| 4                 | 400157   | Large Gear for Model 9SS-1                                | 21                | 400170   | Short Lever                                  |
| 5                 | 400159   | Small Gear for Model 9SS-1                                | 22                | 400171   | Short Lever Stud                             |
| 6                 | 402076   | Large Gear for Model 9SS-2                                | 23                | 400108   | Short Lever Stud Nut                         |
| 7                 | 401657   | Small Gear for Model 9SS-2                                | 24                | 400369   | Short Lever Stud Washer (2)                  |
| 8                 | 400158   | Large Gear Stud   | 25                | 400173   | Skip Control Lever                           |
| 9                 | 400142   | Hand Wheel  | 26                | 400174   | Skip Control Lever Washer                    |
| 10                | 400098   | Hand Wheel Set Screw (2)                                  | 27                | 400175   | Skip Control Lever Screw                     |
| 11                | 400079   | Hand Wheel Connection                                     | 28                | 400099   | Short Lever Screw                            |
| 12                | 400080   | Hand Wheel Connection Stud                                |                   | 402357   | Cam Lever Assembly, includes the following:  |
|                   | 400673   | Rib Shaft Connection Lever Ass'y, includes the following: | 29                | 400162   | Cam Lever (Only)                             |
| 13                | 400267   | Rib Shaft Connection Lever                                | 30                | 400163   | Cam Lever Shaft                              |
| 14                | 400072   | Rib Shaft Connection Lever Stud (Front)                   | 31                | 400367   | Cam Lever Tapered Pin                        |
| 15                | 400078   | Rib Shaft Connection Lever Stud (Rear)                    | 32                | 400168   | Cam Lever Screw (for Spring 400166)          |
|                   | 400674   | Rib Rocker assembly, includes the following:              | 33                | 400164   | Cam Lever Shaft Roller                       |
| 16                | 400106   | Rib Rocker (only)   | 34                | 400165   | Cam Lever Shaft Roller Stud                  |
| 17                | 400107   | Rib Rocker Stud   | 35                | 400166   | Cam Lever Spring (Not included in Ass'y)     |
| 18                | 400108   | Rib Rocker Stud Nut                                       | 36                | 400178   | Long Lever Stud                              |
|                   |          |   | 37                | 402176   | Gear Cover for Model 9SS-2                   |
|                   |          |   | 38                | 400040   | Gear Cover Screw                             |
|                   |          |   | 39                | 400160   | Gear Cover for Model 9SS-1                   |
|                   |          |   | 40                | 400160b  | Gear Cover for Model 9SS-1B                  |
|                   |          |   | 41                | 400367   | Gear Cover Tapered Pin for 9SS-1B            |

# B1 NEEDLE SHAFT, LOOPER ROD, NEEDLE ECCENTRIC ASSEMBLY



| Illustrn. Ref. No. | Part No. | Description  |
|--------------------|----------|--|
| 42                 | 402072   | Needle Shaft Crank Locking Screw                   |
| 43                 | 400030   | Needle Shaft                                       |
| 44                 | 400037   | Needle Shaft Crank                                 |
| 45                 | 400094   | Needle Shaft Crank Clamping Screw                  |
| 46                 | 400084   | Needle Shaft Collar 7/16"                          |
| 47                 | 400100   | Needle Shaft Collar Set Screw                      |
| 48                 | 400038   | Needle Lever                                       |
| 49                 | 400039   | Needle Lever Clamp                                 |
| 50                 | 400040   | Needle Lever Clamp Screw                           |
| 51                 | 400707   | Needle (Size 2 1/2)                                |
| 52                 | 400094   | Needle Lever Clamping Screw                        |
| 53                 | 401073   | Looper (Solid)                                     |
| 54                 | 400042   | Looper Screw                                       |
| 55                 | 400043   | Looper Rod   |
| 56                 | 400044   | Looper Rod Ball                                    |
| 57                 | 400045   | Looper Rod Ball Set Screw                          |
| 58                 | 400051   | Looper Fork  |
| 59                 | 400040   | Looper Fork Clamping Screw                         |
| 60                 | 400055   | Looper Driving Stud Sleeve                         |
| 61                 | 400099   | Looper Driving Stud Sleeve Set Screw               |
| 62                 | 400053   | Looper Driving Stud                                |
| 63                 | 400054   | Looper Driving Stud Collar                         |
| 64                 | 400100   | Looper Driving Stud Collar Set Screw               |
| 65                 | 400035   | Needle Stitch Shaft Connection                     |
| 66                 | 400036   | Needle Stitch Shaft Connection Ball Stud           |
| 67                 | 400094   | Needle Stitch Shaft Connection Fastening Screw (4) |
| 68                 | 400031   | Needle Stitch Eccentric (Regular)                  |
| 69                 | 400054   | Looper Rod Carrier Stud Collar                     |
| 70                 | 400100   | Looper Rod Carrier Stud Collar Set Screw (2)       |
| 71                 | 400046   | Looper Rod Carrier                                 |
| 72                 | 400048   | Looper Rod Carrier Stud                            |
| 73                 | 400050   | Looper Adjusting Block                             |
| 74                 | 400098   | Looper Adjusting Block Set Screw                   |
| 75                 | 400095   | Looper Rod Carrier Cap Clamping Screw (2)          |
| 76                 | 400047   | Looper Rod Carrier Cap                             |
| 77                 | 400052   | Looper Rod Fork Pin                                |
| 78                 | 400026   | Feed Rocker  |
| 79                 | 400025   | Feed Lever   |
| 80                 | 400027   | Feed Rocker Clamp                                  |
| 81                 | 400094   | Feed Rocker Clamp Set Screw                        |
| 82                 | 402098   | Needle Lever Clamp Pin                             |
| 82a                | 400097   | Feed Dog Fastening Screw (2)                       |
| 83                 | 400034   | Needle Eccentric Ring                              |
| 84                 | 400094   | Needle Eccentric Ring Clamping Screw               |
| 85                 | 402341   | Looper Rod Lock Nut                                |
| 86                 | 400323   | Looper Driving Stud Sleeve (For Bearing M/C)       |
| 87                 | 400266   | Looper Driving Stud (For Bearing M/C)              |
| 88                 | 402077   | Looper Driving Stud Sleeve Bearing (2)             |

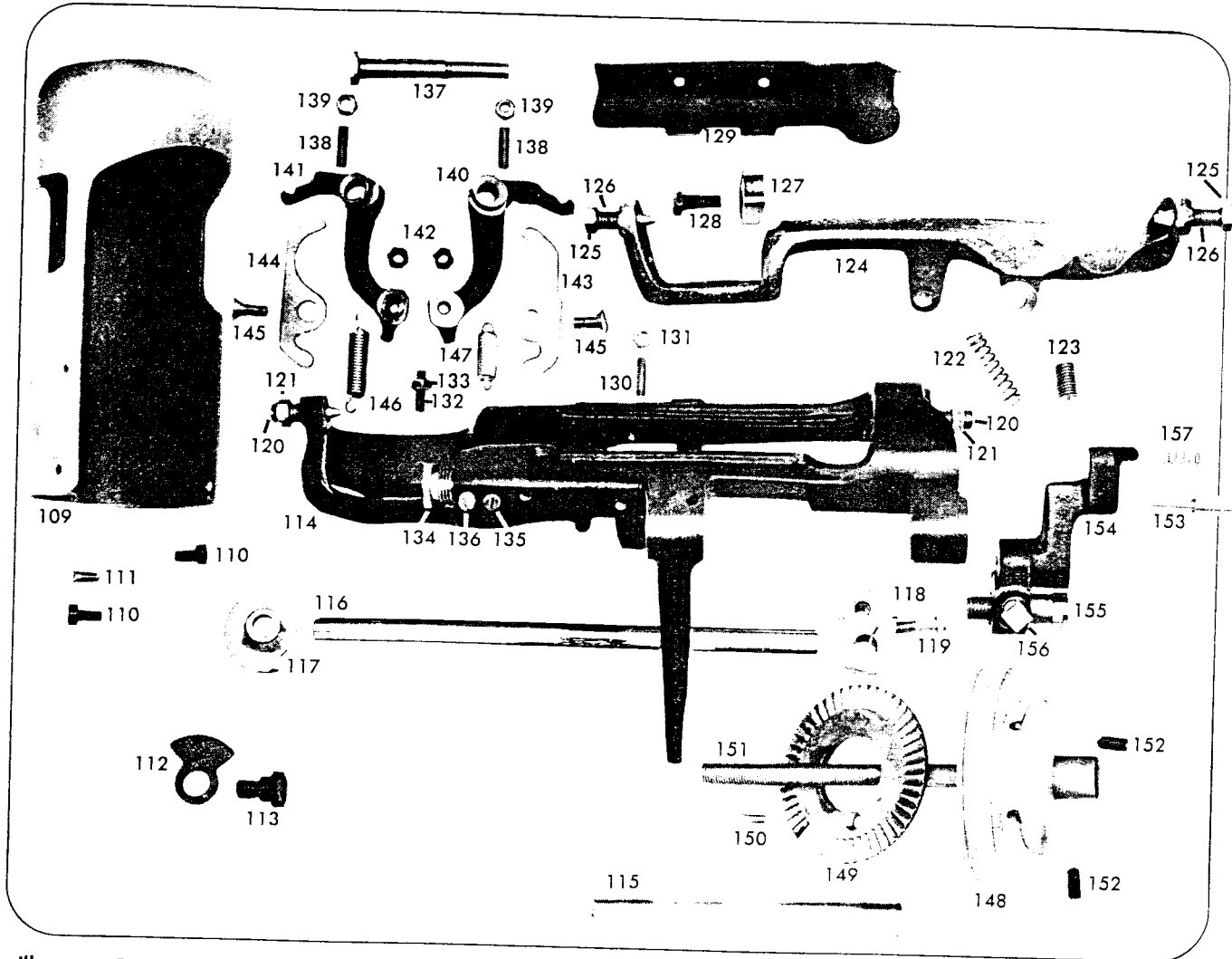
# B2 PRESSER FOOT COMPLETE



|     |        |   |
|-----|--------|---|
| 105 | 402068 | Presser Foot Clamp Screw Washer         |
| 106 | 400103 | Presser Foot Clamp Screw                |
| 107 | 400028 | Feed Dog Coarse                         |
|     | 400143 | Feed Dog — Fine                         |
| 108 | 401306 | Presser Foot Cloth Guide Bracket        |
|     | 401186 | Presser Foot Complete 3/16" Opening     |
|     | 401738 | Presser Foot Complete 1/4" Opening      |
|     | 401296 | Presser Foot Complete w/New Style Gauge |
|     | 401305 | Presser Foot Cloth Guide Comp.          |

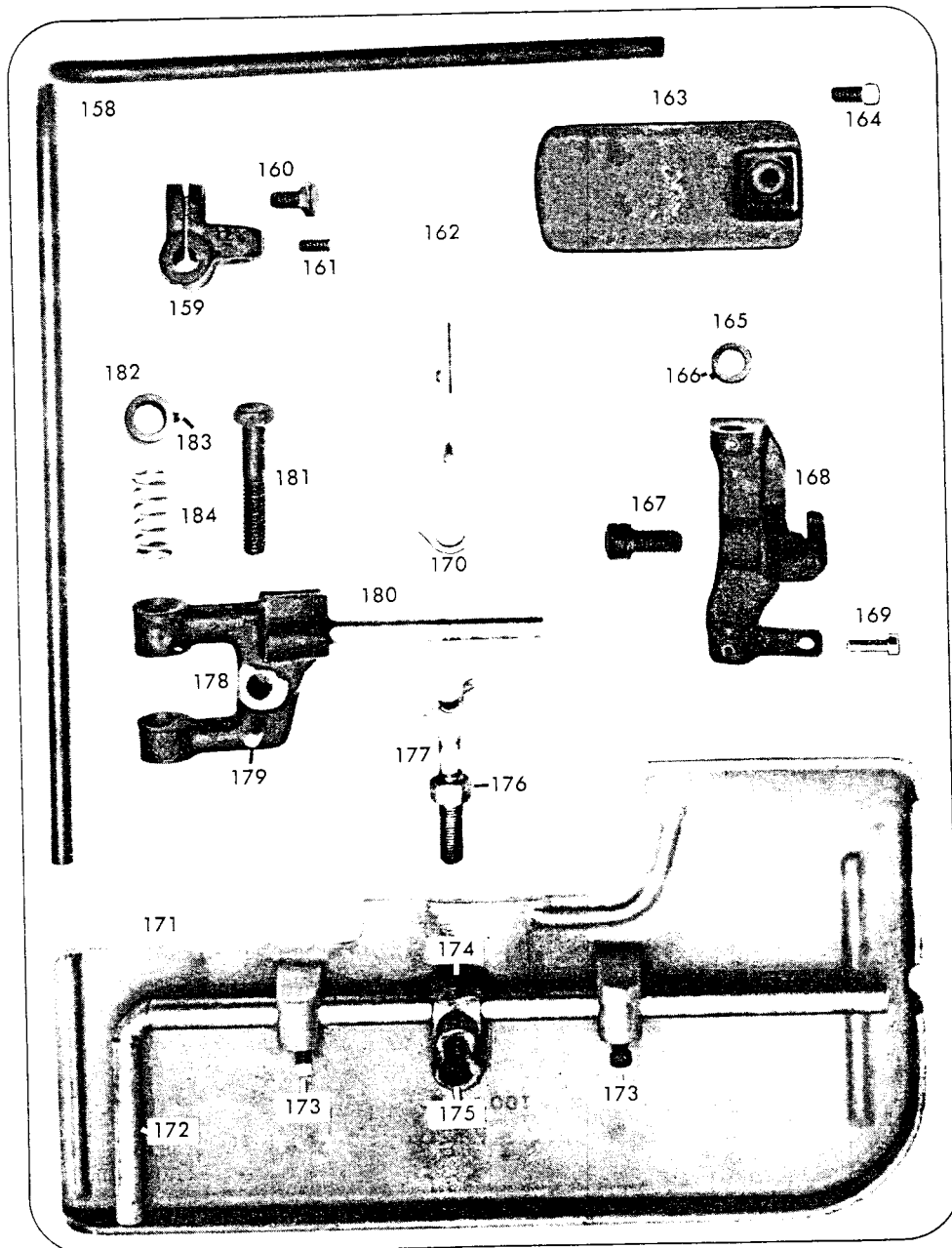
| Illustrn. Ref. No. | Part No. | Description                                    |
|--------------------|----------|--|
| 89                 | 401301   | Presser Foot Cloth Guide Holding Screw         |
| 90                 | 401302   | Presser Foot Cloth Guide (Right) Holding Screw |
| 91                 | 401303   | Presser Foot Adj. Cloth Guide                  |
| 92                 | 401304   | Presser Foot Adj. Cloth Guide Knurled Screw    |
| 93                 | 402141   | Presser Foot Plate 1/4" Opening                |
|                    | 402157   | Presser Foot Plate 3/16" Opening               |
| 94                 | 400081   | Presser Foot Needle Guide                      |
| 95                 | 400082   | Presser Foot Needle Guide Screw                |
| 96                 | 401184   | Presser Foot Metal Pin                         |
| 97                 | 401185   | Presser Foot Metal Pin Screw                   |
|                    | 400145   | Presser Foot Shoe Complete 3/16" Wide          |
|                    | 400668   | Presser Foot Shoe Complete 1/4" Wide           |
|                    | 401298   | Presser Foot (Flat) Shoe 1/4" Wide             |
| 98                 | 401200   | Presser Foot Shoe Guide                        |
| 99                 | 402310   | Presser Foot Shoe (Only) 3/16" Wide            |
|                    | 402186   | Presser Foot Shoe (Only) 1/4" Wide             |
| 100                | 401201   | Presser Foot Shoe Guide Screw                  |
| 101                | 400065   | Presser Foot Shoe Spring                       |
| 102                | 400060   | Presser Foot Brace                             |
| 103                | 400096   | Presser Foot Mounting Screw (2)                |
| 104                | 400066   | Presser Foot Adjusting Eccentric Pin           |

# C FEED FRAME AND REGULATING DIAL ASSEMBLY



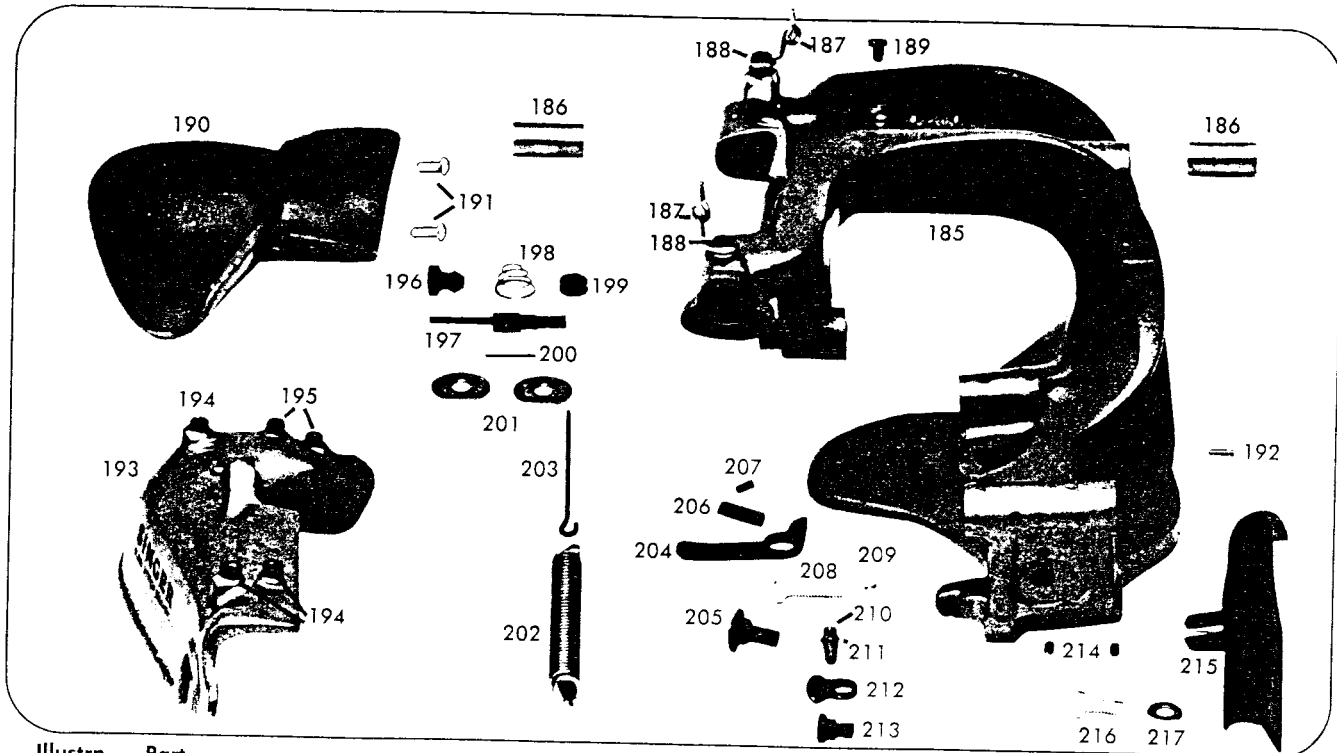
| Illustrn. Ref. No. | Part No. | Description                           | Illustrn. Ref. No. | Part No. | Description                                    |
|--------------------|----------|---------------------------------------|--------------------|----------|--|
| 109                | 400206   | Aluminum Sleeve (Long)                | 132                | 400020   | Platen Bracket Limit Screw                     |
| 110                | 400040   | Aluminum Sleeve Mounting Screw (2)    | 133                | 400021   | Platen Bracket Limit Screw Nut                 |
| 111                | 400197   | Aluminum Sleeve Positioning Screw     | 134                | 402073   | Feed Bracket Stud Bushing                      |
| 112                | 400009   | Feed Frame Regulating Stop            | 135                | 400100   | Feed Bracket Stud Bushing Set Screw—Short      |
| 113                | 400010   | Feed Frame Regulating Stop Stud       | 136                | 400099   | Feed Bracket Stud Bushing Set Screw—Long       |
| 114                | 400303   | Feed Frame                            | 137                | 400022   | Feed Bracket Stud                              |
| 115                | 400002   | Feed Frame Hinge Pin                  | 138                | 400020   | Feed Bracket Limit Screw (2)                   |
| 116                | 400069   | Rib Shaft                             | 139                | 400021   | Feed Bracket Limit Screw Nut (2)               |
| 117                | 400336   | Rib (Skip)                            | 140                | 400017   | Feed Platen Bracket Right                      |
| 118                | 400071   | Rib Shaft Crank                       | 141                | 400018   | Feed Platen Bracket Left                       |
| 119                | 400094   | Rib Shaft Crank Fastening Screw       | 142                | 400021   | Feed Platen Screw Nut (2)                      |
| 120                | 400075   | Rib Shaft Center Screw (2)            | 143                | 400015   | Feed Platen Right                              |
| 121                | 400312   | Rib Shaft Center Screw Nut (2)        | 144                | 400016   | Feed Platen Left                               |
| 122                | 400149   | Rib Shaft Cradle Spring               | 145                | 400101   | Feed Platen Screw (2)                          |
| 123                | 400334   | Rib Shaft Cradle Positioning Screw    | 146                | 400166   | Feed Platen Spring Right                       |
| 124                | 400333   | Rib Shaft Cradle Styles No. 2         | 147                | 400019   | Feed Platen Spring Left                        |
| 125                | 400312   | Rib Shaft Cradle Center Screw Nut (2) | 148                | 400195   | Regulating Dial                                |
| 126                | 400075   | Rib Shaft Cradle Center Screw (2)     | 149                | 400196   | Regulating Dial Ratchet                        |
| 127                | 402084   | Rib Shaft Support                     | 150                | 400197   | Regulating Dial Regulating Screw               |
| 128                | 400074   | Rib Shaft Support Screw               | 151                | 400205   | Regulating Dial Regulating Screw               |
| 129                | 400070   | Rib Shaft Cover Complete              | 152                | 400204   | Regulating Dial Set Screw (2)                  |
| 130                | 400020   | Rib Shaft Cradle Screw                | 153                | 400202   | Regulating Dial Plunger                        |
| 131                | 400021   | Rib Shaft Cradle Screw Nut            | 154                | 400200   | Regulating Dial Indicating Arrow Bracket       |
|                    |          |                                       | 155                | 400203   | Regulating Dial Indicating Arrow Bracket Screw |
|                    |          |                                       | 156                | 402055   | Regulating Dial Indicating Bracket Set Screw   |
|                    |          |                                       | 157                | 400201   | Regulating Dial Plunger Spring                 |

# D SWING PLATE AND KNEE LIFT ASSEMBLY



| Illustrn. Ref. No. | Part No. | Description                                      | Illustrn. Ref. No. | Part No. | Description                         |
|--------------------|----------|--|--------------------|----------|-------------------------------------|
|                    | 400180   | Swing Plate Complete includes the following:     |                    |          |                                     |
|                    | 400127   | Knee Lift Lever complete includes the following: |                    |          |                                     |
| 158                | 400131   | Knee Lift Rod                                    | 171                | 402465   | Swing Plate (Only)                  |
| 159                | 402353   | Knee Lift Lever                                  | 172                | 400178   | Swing Plate Rod                     |
| 160                | 402080   | Knee Lift Lever Clamping Screw                   | 173                | 400182   | Swing Plate Clamp Screw (2)         |
| 161                | 402055   | Knee Lift Lever Set Screw                        | 174                | 400193   | Swing Plate Stop Stud Bracket       |
| 162                | 402106   | Knee Lift Pull Down Stem                         | 175                | 400133   | Swing Plate Stop Stud Bracket Screw |
| 163                | 400132   | Knee Lift Pad                                    | 176                | 400192   | Swing Plate Stop Stud Nut           |
| 164                | 402079   | Knee Lift Pad Set Screw                          | 177                | 400191   | Swing Plate Stop Stud               |
| 165                | 400415   | Knee Lift Collar                                 | 178                | 400183   | Swing Plate Main Bracket            |
| 166                | 400100   | Knee Lift Collar Set Screw                       | 179                | 400185   | Swing Plate Main Bracket Pin        |
| 167                | 402056   | Knee Lift Main Bracket Screw                     | 180                | 400184   | Swing Plate Main Bracket Stud       |
| 168                | 400128   | Knee Lift Main Bracket                           | 181                | 400186   | Swing Plate Main Bracket Screw      |
| 169                | 402053   | Knee Lift Main Bracket Positioning Screw         | 182                | 400084   | Swing Plate Rod Collar              |
| 170                | 400121   | Knee Lift Pull Down Stem Hook                    | 183                | 400100   | Swing Plate Rod Collar Set Screw    |
|                    |          |  | 184                | 400190   | Swing Plate Rod Spring              |

# E MACHINE HEAD



| Illustr. Ref. No. | Part No. | Description                         |
|-------------------|----------|-------------------------------------|
| 185               | 402344   | Main Frame Skip                     |
| 186               | 401663   | Main Shaft Oilite Bushing (2)       |
| 187               | 400087   | Thread Guide (2)                    |
| 188               | 400096   | Thread Guide Screw (2)              |
| 189               | 402025   | Main Frame Oil Fitting              |
| 190               | 400155   | Lower Cover                         |
| 191               | 402052   | Lower Cover Mounting Screw (2)      |
| 192               | 400167   | Cam Lever Pin                       |
| 193               | 400156   | Upper Cover                         |
| 194               | 402426   | Upper Cover Oil Fitting (Long) (3)  |
| 195               | 402025   | Upper Cover Oil Fitting (Short) (2) |
| 196               | 400087   | Upper Cover Fastening Thumb Nut     |
| 197               | 400090   | Tension Long Stud                   |
| 198               | 400091   | Tension Spring                      |
| 199               | 400092   | Tension Regulating Nut              |
| 200               | 400093   | Tension Pin                         |

| Illustr. Ref. No. | Part No. | Description                                 |
|-------------------|----------|---|
| 201               | 400088   | Tension Disc (2)                            |
| 202               | 400139   | Feed Frame Tension Spring (Short)           |
| 203               | 400140   | Feed Frame Tension Spring Hook              |
| 204               | 400141   | Feed Frame Tension Spring Hook Lever        |
| 205               | 400005   | Feed Frame Tension Spring Lever Stud        |
| 206               | 400311   | Feed Frame Tension Spring Lever Limit Screw |
| 207               | 400204   | Feed Frame Tension Spring Lever Set Screw   |
| 208               | 400014   | Feed Frame Stop Screw                       |
| 209               | 402062   | Feed Frame Stop Screw Nut                   |
| 210               | 400311   | Feed Frame Safety Limit Screw               |
| 211               | 400312   | Feed Frame Safety Limite Screw Nut          |
| 212               | 400009   | Feed Frame Regulating Stop                  |
| 213               | 400010   | Feed Frame Regulating Stop Stud             |
| 214               | 400099   | Feed Frame Hinge Pin Set Screw (2)          |
| 215               | 400137   | Belt Guard                                  |
| 216               | 402064   | Belt Guard Fastening Screw                  |
| 217               | 402068   | Belt Guard Washer                           |

## ACCESSORIES

400118 Bolt

402060 Washer

Needles 400707 (or specify size)

402066 Wing Nut

St. J 22100 Instruction Booklet

400120 Cotton Stand Complete

402086 Cotton Bag

402058 SINGER BLIND STITCH MACHINES