

Form 8445 Revised
April, 1930
PRINTED IN U. S. A.

LIST OF PARTS



MACHINES

Nos. 81-1 and 81-8

THE SINGER MANUFACTURING COMPANY

COPYRIGHT, U. S. A., 1916, 1918, 1922, 1923 and 1926
BY THE SINGER MANUFACTURING COMPANY
ALL RIGHTS RESERVED FOR ALL COUNTRIES

INDEX

| | PAGE |
|------------------------------|------|
| ACCESSORIES..... | 21 |
| FOOT LIFTER PARTS..... | 22 |
| KNIFE GRINDER..... | 23 |
| KNEE LIFTER PARTS..... | 22 |
| MACHINE BASE..... | 24 |
| " No. 81-1..... | 7 |
| " " 81-S..... | 14 |
| NUMERICAL LIST OF PARTS..... | 25 |
| OBSOLETE PARTS..... | 24 |
| THREAD UNWINDER..... | 24 |

INSTRUCTIONS FOR ORDERING

In ordering from this list, use **ONLY** the part **NUMBER** in the **FIRST** column.

The number stamped on a Sewing Machine part is in every case the number of the single part only.

Every combination of parts sent out as such has its specific number, which, although not stamped on the parts, must be used when ordering the combination.

Each number always indicates the **SAME PART** in whatever list it appears, or for whatever machine.

The letters after some of the numbers indicate the style of finish only, as follows:

- A—Hardened, Polished, Nickel Plated and Buffed
- B—Polished, Nickel Plated and Buffed
- C—Hardened Only
- D—Polished Only
- E—Soft, Not Polished
- F—Hardened and Polished
- H—Blued
- J—Nickel Plated Only
- K—Hardened and Nickel Plated
- L—Brass Plated
- M—Oxidized
- N—Japanned, Dull
- P—Japanned, Bright
- R—Merlized
- T—Copper Plated
- T. A.—Hardened, Polished, Copper and Nickel Plated and Buffed
- T. B.—Copper and Nickel Plated and Polished
- T. J.—Copper and Nickel Plated Only
- T. K.—Hardened, Copper and Nickel Plated
- T. M.—Copper Plated and Oxidized
- T. L.—Copper and Brass Plated
- U—Zinc Plated
- V—Silver Plated
- W—Polished and Nickel Plated
- Z—Chromium Plated
- Z. B.—Polished, Nickel Plated, Buffed and Chromium Plated
- Z. J.—Nickel and Chromium Plated

These letters **MUST BE USED** when they appear in the list; and **AFTER** the number **as** in the list.

In this series:

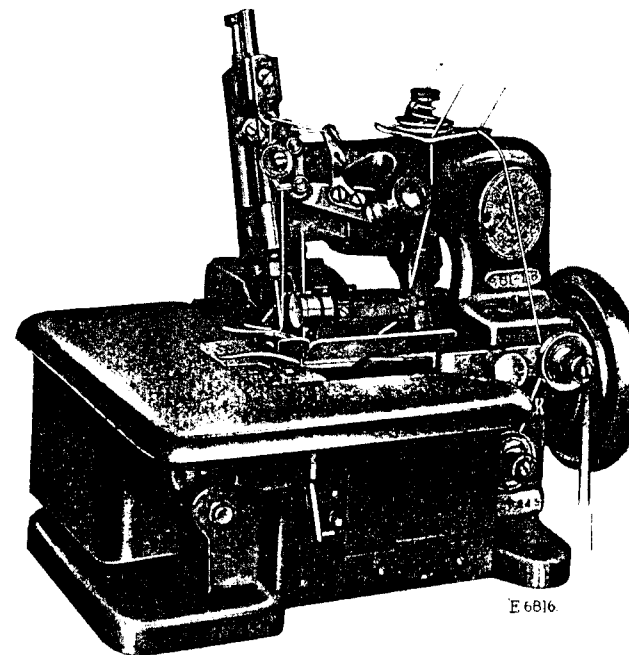
- 1 to 1500 and 50001 to 51500 are Screw Numbers
- 1501 to 1800 and 51501 to 51800 are Nut Numbers
- 1801 to 2000 and 51801 to 52000 are Roller Numbers
- 2001 to 50000 and 52001 and upward are numbers of Machine Parts

The figures in the second column refer only to the plates, illustrating the parts, and are **NOT TO BE USED** in ordering.

Parts marked with an asterisk (*) are furnished only when repairs are made at factory.

LIST OF PARTS COMPLETE

FOR



E 6816

MACHINE No. 81-1

FOR TRIMMING, SCALLOPING AND OVEREDGING LACE CURTAINS AND OTHER WOVEN FABRICS, ETC., AT THE SAME TIME LAYING ONE OR MORE CORDS UNDER THE OVER-EDGE STITCHES IF DESIRED. THREE THREAD STITCH.

| NO. | PLATE | NAME |
|--------|-------|---|
| *42484 | ----- | Arm with two each 462c, 624c, 42253 and 42487..... |
| 4389 | 5543 | Arm Dowel Pin..... |
| 949E | 5562 | " Screw..... |
| 42001 | 5576 | Balance Wheel, 2 3/4 in. pulley, with 424c and 1354c..... |
| 1354c | 5562 | Balance Wheel Position Screw..... |
| 424c | 5562 | " " Set Screw..... |
| 42002 | 5526 | Cloth Plate..... |

| NO. | PLATE | NAME |
|--------|-------|--|
| 42003 | 5526 | Cloth Plate Extension (lower)..... |
| 229E | 5562 | " " " " Screw..... |
| 42108 | 5526 | " " " (upper)..... |
| 229E | 5562 | " " " " Screw..... |
| 42005 | 5526 | " " Lock Spring..... |
| 236C | 5562 | " " " " Screw..... |
| 42107 | --- | Cloth Plate complete, Nos. 42002, 42003, 42005, 42108, two 236c and five 229E.. |
| 1437D | 5562 | Cloth Plate Hinge Screw..... |
| 1655E | 5562 | " " " " Nut..... |
| 42006 | 5529 | Feed Bar with 1253c..... |
| 42007 | 5529 | " " Hinge Pin..... |
| 1253C | 5529 | " " " " Set Screw..... |
| 42008 | 5529 | " Connecting Rod with 42009 and two -1057E..... |
| *42009 | --- | Feed Connecting Rod Cap..... |
| 1057E | 5529 | " " " " Screw..... |
| 1373C | 5529 | " " " Hinge Screw..... |
| 1520C | 5529 | " " " " Nut.. |
| 42010 | 5541 | " Dog, 17 teeth (16 teeth to the inch) |
| 190D | 5556 | " " Screw..... |
| 42011 | 5529 | " Eccentric with two 453c..... |
| 42094 | 5526 | " " Cover..... |
| 207D | 5529 | " " " Screw..... |
| 453C | 5529 | " " " Set Screw..... |
| 42012 | 5529 | " Lifting Eccentric with two 462c.... |
| 42013 | 5529 | " " " Connection..... |
| 462C | 5529 | " " " Set Screw..... |
| 1374C | 5530 | " Regulating Screw Stud..... |
| 1680C | 5530 | " " " " Nut..... |
| 42290 | 5530 | " " " " Washer..... |
| 42014 | 5530 | " Regulator with 233b and two 1259c |
| 42015 | 5529 | " " Connection with 1012E.. |
| 1012E | 5529 | " " " Adjusting Screw |
| 1373C | 5529 | " " " Hinge Screw.... |
| 1520C | 5529 | " " " " Nut |
| 42016 | 5530 | " " Hinge Stud..... |
| 42017 | 5529 | " " Indicator..... |
| 42018 | 5530 | " " " Plate..... |
| 337D | 5530 | " " " " Screw.... |
| 207D | 5529 | " " " " Screw..... |
| 1259C | 5530 | " " " Set Screw..... |
| 233D | 5530 | " " " Stop Screw..... |
| 42019 | 5530 | " Rock Shaft..... |
| 42020 | --- | Feed Rock Shaft complete, Nos. 42019 and 42021..... |
| 42021 | 5530 | Feed Rock Shaft Crank with 157E..... |

| NO. | PLATE | NAME |
|---|-------|--|
| 157E | 5530 | Feed Rock Shaft Crank Clamping Screw |
| 42098 | 5530 | " " " Hinge Pin..... |
| 42079 | 5530 | " " " " " Bushing..... |
| 1036C | 5530 | " " " " " " Set Screw..... |
| *42022 | --- | Frame..... |
| 42023 | 5576 | " Rotary Shaft..... |
| 42024 | 5576 | " " " Bushing (front)..... |
| 1036C | 5530 | " " " " " " Set Screw..... |
| 42025 | 5553 | Frame Rotary Shaft Crank with 1259c and 1375c..... |
| 1375C | 5553 | Frame Rotary Shaft Crank Position Screw |
| 1259C | 5553 | " " " " Set Screw..... |
| 42026 | 5576 | " " " Flanged Bushing (back) with 54967..... |
| 54967 | 5591 | Frame Rotary Shaft Flanged Bushing (back) Oil Pad (braided cotton)..... |
| 1036C | 5530 | Frame Rotary Shaft Flanged Bushing (back) Set Screw..... |
| 42367 | 5591 | Frame Rotary Shaft Front Bearing Oil Pad (braided cotton)..... |
| 42027 | 5589 | Frame Side Cover (left) with 19045..... |
| 19045 | 5543 | " " " " Handle..... |
| 330W | 5562 | " " " " Screw..... |
| 42028 | 5526 | " " " (right) hinged..... |
| 42101 | 5543 | " " " " Lock Spring... |
| 330W | 5562 | " " " " Screw..... |
| 42029 | 5576 | " Top Cover..... |
| 42030 | 5543 | " " " Extension..... |
| 42031 | 5543 | " " " " Cord Guide. |
| 337D | 5543 | " " " " " " " |
| | | Screw..... |
| 42102 | 5543 | Frame Top Cover Extension Holder..... |
| 283W | 5543 | " " " " " Thumb Screw..... |
| 2749 | 5543 | Frame Top Cover Extension Holder Thumb Screw Washer..... |
| 176D | 5543 | Frame Top Cover Extension Screw..... |
| 742E | 5562 | " " " " Screw..... |
| 42033 | 5542 | Knife (movable)..... |
| NOTE: Two No. 42033 are sent with this machine. | | |
| 42034 | 5542 | Knife (movable) Gib..... |
| 42035 | 5542 | " " " Holder..... |
| 42036 | --- | " " " " 42035 with 133E, 42034, 42037, 42040 and two 404b..... |

| NO. | PLATE | NAME | |
|---|-------|--|-------|
| 42037 | 5542 | Knife (movable) Holder Cap. | |
| 404D | 5542 | " " " " Screw. | |
| 42038 | 5542 | " " " " Guide with 336F | |
| 42039 | 5542 | " " " " Plate. | |
| 621D | 5542 | " " " " " Screw | |
| 336F | 5542 | " " " " Set Screw | |
| 133F | 5542 | " " " " Screw | |
| 42040 | 5542 | " " " " Extension | |
| | | Pin. | |
| 42041 | 5542 | Knife (movable) Holder Spring | |
| 42042 | 5542 | " " " " Lever. | |
| 42043 | 5542 | " " " " Connection with | |
| | | 42044 and two 175E. | |
| *42044 | — | Knife (movable) Lever Connection Cap | |
| 175E | 5542 | " " " " " " | |
| | | Screw. | |
| 1373c | 5542 | Knife (movable) Lever Connection Hinge | |
| | | Screw. | |
| 1520c | 5542 | Knife (movable) Lever Connection Hinge | |
| | | Screw Nut. | |
| 42045 | 5542 | Knife (movable) Lever Hinge Stud. | |
| 1229c | 5542 | " " " " " " S e t | |
| | | Screw. | |
| 42046 | 5543 | Knife (stationary) with 42049. | |
| NOTE: Two 42046 are sent with this machine. | | | |
| 42048 | 5543 | Knife (stationary) Clamping Stud. | |
| 1534w | 5543 | " " " " " " Thumb | |
| | | Nut. | |
| 42047 | 5543 | Knife (stationary) Holder. | |
| 1376c | 5543 | " " " " " " Regulating | |
| | | Thumb Screw. | |
| 1101c | 5543 | Knife (stationary) Holder Screw. | |
| 440F | 5543 | " " " " " " Stop Screw. | |
| 1547J | 5543 | " " " " " " " " Nut | |
| 42049 | 5543 | " " " " " " Stud. | |
| 42050 | 5553 | Looper (left hand). | |
| 42051 | 5553 | " " " " " " Lever with 209H. | |
| 42052 | 5553 | " " " " " " " " Connecting Link | |
| 50562c | 7396 | " " " " " " " " " " | |
| | | Hinge Screw. | |
| 1520c | 5553 | Looper (left hand) Lever Connecting Link | |
| | | Hinge Screw Nut. | |
| 42053 | 5553 | Looper (left hand) Lever Hinge Stud. | |
| 1036c | 5553 | " " " " " " " " " " Set | |
| | | Screw. | |
| 209H | 5553 | Looper (left hand) Set Screw. | |

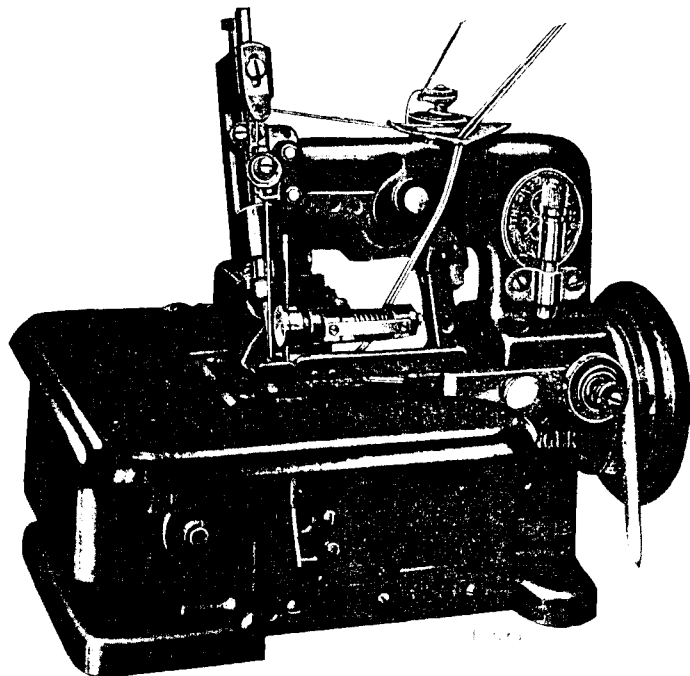
| NO. | PLATE | NAME | |
|--------|-------|--|-------|
| 42166 | 5553 | Looper (right hand). | |
| 42073 | 5553 | " " " " and Spreader Lever | |
| | | with 1259c. | |
| 42074 | 5553 | Looper (right hand) and Spreader Lever | |
| | | Ball Stud. | |
| 1259c | 5553 | Looper (right hand) and Spreader Lever | |
| | | Ball Stud Set Screw. | |
| 42075 | 5553 | Looper (right hand) and Spreader Lever | |
| | | Connection with 42059, 42076 and four | |
| | | 896E. | |
| *42076 | — | Looper (right hand) and Spreader Lever | |
| | | Connection Cap (lower). | |
| 896E | 7396 | Looper (right hand) and Spreader Lever | |
| | | Connection Cap (lower) Screw. | |
| *42059 | — | Looper (right hand) and Spreader Lever | |
| | | Connection Cap (upper). | |
| 896E | 7396 | Looper (right hand) and Spreader Lever | |
| | | Connection Cap (upper) Screw. | |
| 42077 | 5584 | Looper (right hand) and Spreader Lever | |
| | | Connection Guide. | |
| 171F | 5544 | Looper (right hand) and Spreader Lever | |
| | | Connection Guide Screw. | |
| 42106 | 5584 | Looper (right hand) and Spreader Lever | |
| | | Connection Oil Tube and Bracket with | |
| | | 29599. | |
| 29599 | 5584 | Looper (right hand) and Spreader Lever | |
| | | Connection Oil Tube Packing (felt). | |
| 42078 | 5584 | Looper (right hand) and Spreader Lever | |
| | | Hinge Pin. | |
| 42079 | 5530 | Looper (right hand) and Spreader Lever | |
| | | Hinge Pin Bushing. | |
| 1259c | 5553 | Looper (right hand) and Spreader Lever | |
| | | Hinge Pin Bushing Set Screw. | |
| 197D | 5553 | Looper (right hand) Screw. | |
| 42054 | 5544 | Needle Bar. | |
| 42253 | 5544 | " " " " Bushing. | |
| 462c | 5544 | " " " " " " Set Screw. | |
| 42061 | 5544 | " " " " " " Connecting Bracket with 187D | |
| | | and 223E. | |
| 187D | 5544 | Needle Bar Connecting Bracket Clamping | |
| | | Screw. | |
| 42055 | 5544 | Needle Bar Connecting Link. | |
| 40247 | 5544 | " " " " " " " " Hinge Pin | |
| 223F | 5544 | " " " " " " " " " " | |
| | | Set Screw for 42061. | |
| 904c | 5544 | Needle Bar Connecting Link Hinge Pin | |
| | | Set Screw for 42104. | |

| NO. | PLATE | NAME |
|--------|-------|--|
| 42057 | 5544 | Needle Bar Connecting Rod with 42059, 42076 and four 896E..... |
| 42076 | — | Needle Bar Connecting Rod Cap (lower) |
| 896E | 7396 | “ “ “ “ “ “ Screw..... |
| *42059 | — | Needle Bar Connecting Rod Cap (upper) |
| 896E | 7396 | “ “ “ “ “ “ Screw..... |
| 42077 | 5584 | Needle Bar Connecting Rod Guide..... |
| 171F | 5544 | “ “ “ “ “ “ Screw |
| 42103 | 5544 | “ “ Crank (back) with 1258c and two 1259c..... |
| 42074 | 5553 | Needle Bar Crank (back) Ball Stud..... |
| 1259c | 5553 | “ “ “ “ “ “ Set Screw..... |
| 1259c | 5553 | Needle Bar Crank (back) Position Screw. |
| 1258c | 5544 | “ “ “ “ Set Screw..... |
| 42104 | 5544 | “ “ “ (front with 904c, 1258c and 1259c..... |
| 1259c | 5553 | Needle Bar Crank (front) Position Screw |
| 1258c | 5544 | “ “ “ “ Set Screw..... |
| 42105 | 5544 | “ “ “ Shaft..... |
| 42487 | 7396 | “ “ “ “ Bushing..... |
| 624c | 7396 | “ “ “ “ “ Set Screw |
| 42115 | 5544 | “ “ Thread Retainer Bracket..... |
| 228b | 5544 | “ “ “ “ “ Screw |
| 42483 | 7396 | “ “ “ “ Disc..... |
| 93c | 5544 | “ “ “ “ Screw..... |
| 10107 | 5544 | “ “ “ “ Spring..... |
| 1728c | 5544 | “ Clamping Nut..... |
| 42066 | 5544 | “ Guard..... |
| 171F | 5544 | “ “ Screw..... |
| 42067 | 5541 | Presser Foot with 233b and 42068..... |
| 42068 | 5541 | “ “ Chaining-off Finger..... |
| 233b | 5553 | “ “ “ “ Screw.. |
| 1324c | 5591 | “ “ Screw..... |
| 39541 | 5586 | “ “ “ Washer..... |
| 42069 | 5576 | “ Lever..... |
| 42045 | 5542 | “ “ Hinge Stud..... |
| 1120c | 5591 | “ “ “ “ Set Screw..... |
| 42070 | 5584 | “ “ Lifter..... |
| 85b | 5584 | “ “ “ Hinge Screw..... |
| 1377c | 5584 | “ “ Screw Stud (eccentric)..... |
| 1547j | 5584 | “ “ “ “ Nut..... |
| 42071 | 5584 | “ “ Spring..... |
| 1378b | 5584 | Pressure Regulating Thumb Screw..... |
| 42072 | 5584 | Spreader..... |

| NO. | PLATE | NAME |
|-------|-------|--|
| 197D | 5556 | Spreader Screw..... |
| 2102 | 5556 | Tension (cord) Disc..... |
| 1560c | 5556 | “ “ Regulating Thumb Nut.. |
| 637c | 5556 | “ “ Screw Stud..... |
| 33929 | — | “ “ “ “ 637c with 1560c |
| 10148 | 5556 | “ “ Spring..... |
| 2102 | 5556 | “ (looper, left hand) Disc..... |
| 1560c | 5556 | “ “ “ “ Regulating Thumb Nut..... |
| 828c | 5556 | Tension (looper, left hand) Screw Stud |
| 42418 | — | “ “ “ “ “ “ 828c with 1560c..... |
| 10148 | 5556 | Tension (looper, left hand) Spring..... |
| 2102 | 5556 | “ (looper, right hand) Disc..... |
| 1560c | 5556 | “ “ “ “ Regulating Thumb Nut..... |
| 828c | 5556 | Tension (looper, right hand) Screw Stud |
| 42418 | — | “ “ “ “ “ “ 828c with 1560c..... |
| 10148 | 5556 | Tension (looper, right hand) Spring..... |
| 17547 | 5556 | “ “ “ “ Thread Guide |
| 2102 | 5556 | “ (needle thread) Disc..... |
| 1560c | 5556 | “ “ “ Regulating Thumb Nut..... |
| 916c | 5556 | Tension (needle thread) Screw Stud..... |
| 44209 | 5556 | “ “ “ “ “ 916c with 1560c..... |
| 10148 | 5556 | Tension (needle thread) Spring..... |
| 42082 | 5556 | “ “ “ Thread Guide... |
| 42242 | 7396 | Thread (looper, left hand) Eyelet..... |
| 233b | 5553 | “ “ “ “ “ Screw.. |
| 42084 | 5556 | “ “ “ “ “ Tube..... |
| 462c | 5556 | “ “ “ “ “ Set Screw |
| 42093 | 5556 | “ (looper, right hand) Staple..... |
| 190b | 5556 | “ “ “ “ “ Screw |
| 42127 | 5556 | “ “ “ “ Take-up..... |
| 197D | 5556 | “ “ “ “ “ Screw |
| 42096 | 5556 | “ (needle) Eyelet..... |
| 217D | 5556 | “ “ “ Screw..... |
| 42097 | 5556 | “ “ Take-up..... |
| 197D | 5556 | “ “ “ Screw..... |
| 42085 | 5541 | Throat Plate for 42010..... |
| 742F | 5562 | “ “ Screw..... |

LIST OF PARTS COMPLETE

FOR



MACHINE No. 81-8

FOR TRIMMING, SCALLOPING AND OVEREDGING LACE CURTAINS AND OTHER WOVEN FABRICS, ETC., AT THE SAME TIME LAYING ONE OR MORE CORDS UNDER THE OVEREDGE STITCHES IF DESIRED. THE MACHINE IS FITTED WITH A DOUBLE FEED DOG. THE HEIGHT OF THE BACK FEED DOG CAN BE ADJUSTED BY A HAND LEVER AT THE BACK OF THE MACHINE TO ACCOMMODATE DIFFERENT THICKNESSES OF CORDS. ALSO FITTED WITH OIL TUBES FOR CARRYING OIL TO THE FRONT AND BACK BEARINGS. TWO THREAD STITCH.

| NO. | PLATE | NAME |
|--------|-------|--|
| *42486 | — | Arm with two each 462c, 624c, 42253 and 42487..... |
| 4389 | 5543 | Arm Dowel Pin..... |

| NO. | PLATE | NAME |
|--------|-------|---|
| 949E | 5562 | Arm Screw..... |
| 42001 | 5576 | Balance Wheel 2 $\frac{3}{8}$ in. pulley with 424c and 1351c..... |
| 1354c | 5562 | Balance Wheel Position Screw..... |
| 424c | 5562 | “ “ Set Screw..... |
| 42361 | 5589 | Cloth Plate..... |
| 42363 | 5589 | “ “ Extension (lower)..... |
| 229E | 5562 | “ “ “ “ Screw..... |
| 42108 | 5526 | “ “ “ (upper)..... |
| 229E | 5562 | “ “ “ “ Screw..... |
| 42005 | 5526 | “ “ Lock Spring..... |
| 236c | 5562 | “ “ “ “ Screw..... |
| 42362 | — | Cloth Plate complete, Nos. 42005, 42108, 42361, 42363, two 236c and five 229E.. |
| 1437D | 5562 | Cloth Plate Hinge Screw..... |
| 1655E | 5562 | “ “ “ “ Nut..... |
| 42031 | 5543 | Cord Guide..... |
| 42030 | 5543 | “ “ Holder..... |
| 176D | 5543 | “ “ “ Screw..... |
| 337D | 5543 | “ “ “ Screw..... |
| 42341 | 5590 | Feed (back) Adjusting Lever with 967D and 42342..... |
| 967D | 5590 | Feed (back) Adjusting Lever Clamping Screw..... |
| 42342 | 5590 | Feed (back) Adjusting Lever Stud..... |
| 42340 | 5590 | “ “ Bar..... |
| 61c | 5590 | “ “ “ Hinge Screw..... |
| 42343 | 5541 | “ “ Dog, 3 teeth (16 teeth to the inch)..... |
| 203D | 5591 | Feed (back) Dog Screw..... |
| 42151 | 5590 | “ (front) Bar with 1253c..... |
| 42007 | 5529 | “ “ “ Hinge Pin..... |
| 1253c | 5529 | “ “ “ “ “ Set Screw... |
| 42344 | 5541 | “ “ Dog, 17 teeth (16 teeth to the inch)..... |
| 190D | 5556 | Feed (front) Dog Screw..... |
| 42008 | 5529 | “ Connecting Rod with 42009 and two 1057E..... |
| *42009 | — | Feed Connecting Rod Cap..... |
| 1057E | 5529 | “ “ “ “ Screw..... |
| 1373c | 5529 | “ “ “ Hinge Screw..... |
| 1520c | 5529 | “ “ “ “ “ Nut.. |
| 42011 | 5529 | “ Eccentric with two 453c..... |
| 42153 | 5589 | “ “ Cover..... |
| 42102 | 5543 | “ “ “ Holder..... |
| 283W | 5543 | “ “ “ “ Thumb Screw |

| NO. | PLATE | NAME |
|--------|-------|---|
| 2749 | 5543 | Feed Eccentric Cover Holder Thumb Screw Washer..... |
| 207D | 5529 | Feed Eccentric Cover Screw..... |
| 453C | 5529 | " " Set Screw..... |
| 42345 | 5590 | " Lifting Eccentric with two 462c.... |
| 42013 | 5529 | " " " Connection..... |
| 462C | 5529 | " " " Set Screw..... |
| 1374C | 5530 | " Regulating Screw Stud..... |
| 1680C | 5530 | " " " " Nut..... |
| 42290 | 5530 | " " " " Washer..... |
| 42014 | 5530 | " Regulator with 233D and two 1259C |
| 42015 | 5529 | " " Connection with 1012E... |
| 1012E | 5529 | " " " Adjusting Screw..... |
| 1373C | 5529 | Feed Regulator Connection Hinge Screw |
| 1520C | 5529 | " " " " " Nut..... |
| 42016 | 5530 | Feed Regulator Hinge Stud..... |
| 1259C | 5530 | " " Set Screw..... |
| 233D | 5530 | " " Stop Screw..... |
| 42019 | 5530 | " Rock Shaft..... |
| 42020 | — | Feed Rock Shaft complete, Nos. 42019 and 42021..... |
| 42021 | 5530 | Feed Rock Shaft Crank with 157E..... |
| 157E | 5530 | " " " " Clamping Screw |
| 42098 | 5530 | " " " Hinge Pin..... |
| 42079 | 5530 | " " " " Bushing..... |
| 1036C | 5530 | " " " " " Set Screw..... |
| *42346 | — | Frame..... |
| 42023 | 5576 | " Rotary Shaft..... |
| 42024 | 5576 | " " " Bushing (front)..... |
| 1036C | 5530 | " " " " " Set Screw..... |
| 42025 | 5553 | Frame Rotary Shaft Crank with 1259C and 1375C..... |
| 1375C | 5553 | Frame Rotary Shaft Crank Position Screw |
| 1259C | 5553 | " " " " Set Screw..... |
| 42026 | 5576 | " " " Flanged Bushing (back) with 51967..... |
| 54967 | 5591 | Frame Rotary Shaft Flanged Bushing (back) Oil Pad (braided cotton)..... |
| 1036C | 5530 | Frame Rotary Shaft Flanged Bushing (back) Set Screw..... |
| 42367 | 5591 | Frame Rotary Shaft Front Bearing Oil Pad (braided cotton)..... |
| 42027 | 5589 | Frame Side Cover (left) with 19045..... |

| NO. | PLATE | NAME |
|-------|-------|-------------------------------------|
| 19045 | 5543 | Frame Side Cover (left) Handle..... |
| 330W | 5562 | " " " " Screw..... |
| 42028 | 5526 | " " " (right) hinged..... |
| 42101 | 5543 | " " " " Lock Spring .. |
| 330W | 5562 | " " " " Screw..... |
| 42033 | 5542 | Knife (movable)..... |

NOTE: Two No. 42033 are sent with this machine.

| | | |
|--------|------|--|
| 42034 | 5542 | Knife (movable) Gib..... |
| 42035 | 5542 | " " Holder..... |
| 42036 | — | " " " 42035 with 133E, 42034, 42037, 42040, and two 404D.... |
| 42037 | 5542 | Knife (movable) Holder Cap..... |
| 404D | 5542 | " " " " Screw..... |
| 42038 | 5542 | " " " Guide with 336F |
| 42039 | 5542 | " " " " Plate..... |
| 621D | 5542 | " " " " " Screw |
| 336F | 5542 | " " " " Set Screw |
| 133F | 5542 | " " " " Screw..... |
| 42040 | 5542 | " " " " " Extension Pin..... |
| 42041 | 5542 | Knife (movable) Holder Spring..... |
| 42042 | 5542 | " " Lever..... |
| 42043 | 5542 | " " " Connection with 42044 and two 175E..... |
| *42044 | — | Knife (movable) Lever Connection Cup |
| 175E | 5542 | " " " " " " Screw..... |
| 1373C | 5542 | Knife (movable) Lever Connection Hinge Screw..... |
| 1520C | 5542 | Knife (movable) Lever Connection Hinge Screw Nut..... |
| 42045 | 5542 | Knife (movable) Lever Hinge Stud..... |
| 1229C | 5542 | " " " " " Set Screw..... |
| 42046 | 5543 | Knife (stationary) with 42019..... |

NOTE: Two No. 42046 are sent with this machine.

| | | |
|-------|------|---------------------------------------|
| 42048 | 5543 | Knife (stationary) Clamping Stud..... |
| 1534W | 5543 | " " " " Thumb Nut..... |
| 42047 | 5543 | Knife (stationary) Holder..... |
| 1376C | 5543 | " " " Regulating Thumb Screw..... |
| 1101C | 5543 | Knife (stationary) Holder Screw..... |
| 440F | 5543 | " " " Stop Screw..... |
| 1547J | 5543 | " " " " " Nut |

| NO. | PLATE | NAME |
|--------|-------|--|
| 42049 | 5543 | Knife (stationary) Stud..... |
| 42050 | 5553 | Looper (left hand)..... |
| 42051 | 5553 | “ “ “ Lever with 209H..... |
| 42052 | 5553 | “ “ “ “ Connecting Link |
| 50562c | 7396 | “ “ “ “ “ “ |
| | | Hinge Screw..... |
| 1520c | 5553 | Looper (left hand) Lever Connecting Link |
| | | Hinge Screw Nut..... |
| 42053 | 5553 | Looper (left hand) Lever Hinge Stud.... |
| 1036c | 5553 | “ “ “ “ “ “ Set |
| | | Screw..... |
| 209H | 5553 | Looper (left hand) Set Screw..... |
| 42166 | 5553 | “ (right hand)..... |
| 42073 | 5553 | “ “ “ and Spreader Lever |
| | | with 1259c..... |
| 42074 | 5553 | Looper (right hand) and Spreader Lever |
| | | Ball Stud..... |
| 1259c | 5553 | Looper (right hand) and Spreader Lever |
| | | Ball Stud Set Screw..... |
| 42075 | 5553 | Looper (right hand) and Spreader Lever |
| | | Connection with 42059, 42076 and four |
| | | 896E..... |
| *42076 | — | Looper (right hand) and Spreader Lever |
| | | Connection Cap (lower)..... |
| 896E | 7396 | Looper (right hand) and Spreader Lever |
| | | Connection Cap (lower) Screw..... |
| *42059 | — | Looper (right hand) and Spreader Lever |
| | | Connection Cap (upper)..... |
| 896E | 7396 | Looper (right hand) and Spreader Lever |
| | | Connection Cap (upper) Screw..... |
| 42077 | 5584 | Looper (right hand) and Spreader Lever |
| | | Connection Guide..... |
| 171F | 5544 | Looper (right hand) and Spreader Lever |
| | | Connection Guide Screw..... |
| 42106 | 5584 | Looper (right hand) and Spreader Lever |
| | | Connection Oil Tube and Bracket with |
| | | 29599..... |
| 29599 | 5584 | Looper (right hand) and Spreader Lever |
| | | Connection Oil Tube Packing (felt).... |
| 42078 | 5584 | Looper (right hand) and Spreader Lever |
| | | Hinge Pin..... |
| 42079 | 5530 | Looper (right hand) and Spreader Lever |
| | | Hinge Pin Bushing..... |
| 1259c | 5553 | Looper (right hand) and Spreader Lever |
| | | Hinge Pin Bushing Set Screw..... |
| 197D | 5553 | Looper (right hand) Screw..... |

| NO. | PLATE | NAME |
|--------|-------|---|
| 42054 | 5544 | Needle Bar..... |
| 42253 | 5544 | “ “ Bushing..... |
| 462c | 5544 | “ “ “ Set Screw..... |
| 42061 | 5544 | “ “ “ Connecting Bracket with 187D |
| | | and 223F..... |
| 187D | 5544 | Needle Bar Connecting Bracket Clamping |
| | | Screw..... |
| 42055 | 5544 | Needle Bar Connecting Link..... |
| 40247 | 5544 | “ “ “ “ Hinge Pin.... |
| 223F | 5544 | “ “ “ “ “ “ Set |
| | | Screw for 42061..... |
| 904c | 5544 | Needle Bar Connecting Link Hinge Pin |
| | | Set Screw for 42104..... |
| 42347 | 5590 | Needle Bar Connecting Rod with 42059, |
| | | 42076 and four 896E..... |
| *42076 | — | Needle Bar Connecting Rod Cap (lower) |
| | | “ “ “ “ “ “ |
| 896E | 7396 | Screw..... |
| *42059 | — | Needle Bar Connecting Rod Cap (upper) |
| | | “ “ “ “ “ “ |
| 896E | 7396 | Screw..... |
| 42077 | 5584 | Needle Bar Connecting Rod Guide..... |
| 171F | 5544 | “ “ “ “ “ “ Screw |
| 42103 | 5544 | “ “ Crank (back) with 1258c and |
| | | two 1259c..... |
| 42074 | 5553 | Needle Bar Crank (back) Ball Stud..... |
| 1259c | 5553 | “ “ “ “ “ “ Set |
| | | Screw..... |
| 1259c | 5553 | Needle Bar Crank (back) Position Screw. |
| 1258c | 5544 | “ “ “ “ “ Set Screw.... |
| 42104 | 5544 | “ “ “ (front) with 904c, 1258c |
| | | and 1259c..... |
| 1259c | 5553 | Needle Bar Crank (front) Position Screw |
| 1258c | 5544 | “ “ “ “ “ Set Screw..... |
| 42105 | 5544 | “ “ “ Shaft..... |
| 42487 | 7396 | “ “ “ “ Bushing..... |
| 624c | 7396 | “ “ “ “ “ Set Screw |
| 42115 | 5544 | “ “ Thread Retainer Bracket.... |
| 228D | 5544 | “ “ “ “ “ Screw |
| 42348 | 5591 | “ “ “ “ Disc (inside) |
| 10106 | 5544 | “ “ “ “ “ (outside) |
| 42349 | 5591 | “ “ “ “ “ “ |
| | | 10106 with 42350..... |
| 42350 | — | Needle Bar Thread Retainer Disc (outside) |
| | | Bushing..... |
| 93c | 5544 | Needle Bar Thread Retainer Screw..... |
| 10107 | 5544 | “ “ “ “ Spring..... |

| NO. | PLATE | NAME |
|-------|-------|---|
| 1728c | 5544 | Needle Clamping Nut..... |
| 42066 | 5544 | " Guard..... |
| 171F | 5544 | " " Screw..... |
| 42351 | 5591 | Oil Pipe with 42353 and 42354, for oiling back bearing..... |
| 42352 | 5591 | Oil Pipe with 42353 and 42354, for oiling front bearing..... |
| 42353 | 5591 | Oil Pipe Coupling..... |
| 42354 | 5591 | " " Oil Cup..... |
| 42355 | 5591 | " " Strap for 42351..... |
| 42356 | 5591 | " " " " 42352..... |
| 207D | 5529 | " " " Screw for 42355..... |
| 742F | 5562 | " " " " " 42356..... |
| 42357 | 5541 | Presser Foot with 220b, 233b, 42068 and 42358..... |
| 42068 | 5541 | Presser Foot Chaining-off Finger..... |
| 233D | 5553 | " " " " " Screw.. |
| 1324c | 5591 | " " " Screw..... |
| 39541 | 5586 | " " " Washer..... |
| 220b | 5541 | " " " Stop Screw..... |
| 42358 | 5541 | " " " " Stud..... |
| 42069 | 5576 | " Lever..... |
| 42045 | 5542 | " " Hinge Stud..... |
| 1120c | 5591 | " " " " Set Screw..... |
| 42070 | 5584 | " " Lifter..... |
| 85D | 5584 | " " " Hinge Screw..... |
| 1377c | 5584 | " " " Screw Stud (eccentric)..... |
| 1547J | 5584 | " " " " Nut..... |
| 42071 | 5584 | " " " Spring..... |
| 1378D | 5584 | Presser Regulating Thumb Screw..... |
| 42359 | 5591 | Spreader..... |
| 197D | 5556 | " " Screw..... |
| 2102 | 5556 | Tension (cord) Disc..... |
| 1560c | 5556 | " " " Regulating Thumb Nut.. |
| 637c | 5556 | " " " Screw Stud..... |
| 33929 | — | " " " " 637c with 1560c |
| 10148 | 5556 | " " " Spring..... |
| 2102 | 5556 | " (looper, left hand) Disc..... |
| 1560c | 5556 | " " " " " Regulating Thumb Nut..... |
| 828c | 5556 | Tension (looper, left hand) Screw Stud |
| 42418 | — | " " " " " " " " |
| | | 828c with 1560c..... |
| 10148 | 5556 | Tension (looper, left hand) Spring..... |
| 2102 | 5556 | " (looper, right hand) Disc..... |
| 1560c | 5556 | " " " " " Regulating Thumb Nut..... |

| NO. | PLATE | NAME |
|-------|-------|--|
| 828c | 5556 | Tension (looper, right hand) Screw Stud |
| 42418 | — | " " " " " " " " |
| | | 828c with 1560c..... |
| 10148 | 5556 | Tension (looper, right hand) Spring..... |
| 17517 | 5556 | " " " " " Thread Guide |
| 2102 | 5556 | " (needle thread) Disc..... |
| 1560c | 5556 | " " " " " Regulating Thumb Nut..... |
| 916c | 5556 | Tension (needle thread) Screw Stud..... |
| 44209 | — | " " " " " " " 916c with 1560c..... |
| 10148 | 5556 | Tension (needle thread) Spring..... |
| 42082 | 5556 | " " " " " Thread Guide.. |
| 42242 | 7396 | Thread (looper, left hand) Eyelet..... |
| 233D | 5553 | " " " " " " " Screw.. |
| 42124 | 5590 | " " " " " " Pull-off..... |
| 42125 | 5590 | " " " " " " Eyelet |
| 233D | 5553 | " " " " " " " Screw |
| 42084 | 5556 | " " " " " " Tube..... |
| 462c | 5556 | " " " " " " " Set Screw |
| 42093 | 5556 | " " " " " " " right hand) Staple..... |
| 190D | 5556 | " " " " " " " " Screw.. |
| 42127 | 5556 | " " " " " " " Take-up..... |
| 197D | 5556 | " " " " " " " " Screw.. |
| 42096 | 5556 | " (needle) Eyelet..... |
| 217D | 5556 | " " " " " " " Screw..... |
| 42360 | 5541 | Throat Plate for 42343 and 42344..... |
| 742F | 5562 | " " " " " " " Screw..... |

ACCESSORIES

| NO. | PLATE | NAME |
|--------|-------|--|
| 1407E | 5563 | Machine Base Thumb Screw for 3 in. table |
| 1408E | 5563 | " " " " " " 2 in. table |
| 14063 | 5586 | " " " " " " Spring..... |
| 9842 | 5586 | " " " " " " " Washer |
| 120344 | 5566 | Oiler (copper plated) with 120345..... |
| 120345 | 5566 | " Spout, 5 in. long..... |
| 120440 | 5566 | Screw Driver..... |
| 42090 | 5566 | Threading Wire..... |
| 120341 | 5566 | Tweezers (curved)..... |
| 42089 | 5566 | Wrench for 1324, 1374 and 1629..... |
| 8908 | 5566 | " " 1520 and 1655..... |
| 4822 | 5566 | " " 1547..... |

FOOT LIFTER PARTS

| NO. | PLATE | NAME |
|---|-------|---|
| 6439 | --- | Chain, 36 in. to 45 in., with 56864 and 56865..... |
| NOTE: When ordering No. 6439 state length required. | | |
| 4879 | 5566 | Chain Connecting Link..... |
| 56864 | 5566 | " Hook (large)..... |
| 56865 | 7396 | " " (small)..... |
| 42130 | 5586 | Lifting Lever..... |
| 42131 | 5586 | " " Bracket..... |
| 1229c | 5586 | " " " Screw..... |
| 1301d | 5586 | " " Hinge Screw..... |
| 42132 | 5586 | " " Spring..... |
| 1148f | 5586 | " " Stop Screw..... |
| 1547j | 5543 | " " " " Nut..... |
| 4881 | 5564 | Treadle..... |
| 4882 | 5566 | " Shaft..... |
| 4883 | 5566 | " Spring..... |
| 4884 | 5564 | " Stand..... |
| 4885 | 5564 | Treadle complete Nos. 4879, 4881 to 4884 and two wood screws 1 in. No. 16..... |
| 42133 | --- | Foot Lifter complete, Nos. 1301d, 4885, 6439, 42130 to 42132 and two each 1148f, 1229c and 1547j..... |

KNEE LIFTER PARTS

| NO. | PLATE | NAME |
|-------|-------|--|
| 42130 | 5586 | Lifting Lever..... |
| 42131 | 5586 | " " Bracket..... |
| 1229c | 5586 | " " " Screw..... |
| 42142 | 5564 | " " Connecting Rod..... |
| 1301d | 5586 | " " Hinge Screw..... |
| 42132 | 5586 | " " Spring..... |
| 1148f | 5586 | " " Stop Screw..... |
| 1547j | 5543 | " " " " Nut..... |
| 2763 | 5564 | Rock Shaft..... |
| 12242 | 5564 | " " Hanger with two wood screws 1 in. No. 10..... |
| 2765 | 5564 | Rock Shaft Knee Arm..... |
| 2766 | 5564 | " " " " Hub with 356c... |
| 356c | 5562 | " " " " " Set Screw... |
| 2768 | --- | Rock Shaft Knee Arm complete, Nos. 2765 to 2767..... |

KNEE LIFTER PARTS

| NO. | PLATE | NAME |
|-------|-------|---|
| 2767 | 5564 | Rock Shaft Knee Plate with 356c..... |
| 356c | 5562 | " " " " Set Screw..... |
| 6337 | 5564 | " " Lifting Bracket with two 356c |
| 7125 | 5564 | " " " " Hook..... |
| 356c | 5562 | " " " " " Set Screw |
| 356c | 5562 | " " " " " Set Screw.... |
| 2770 | 5564 | " " Stop Dog with 356c..... |
| 356c | 5562 | " " " " " Set Screw..... |
| 42143 | 5564 | Rock Shaft complete, Nos. 2763, 2768, 6337, 7125 and two each 2770 and 12242 |
| 42144 | --- | Knee Lifter complete, Nos. 1301d, 42130 to 42132, 42142, 42143 and two each 1148f, 1229c and 1547j..... |

KNIFE GRINDER

| NO. | PLATE | NAME |
|-------|-------|--|
| 41326 | 5568 | Emery Wheel..... |
| 1508c | 5569 | " " Clamping Nut..... |
| 41327 | 5568 | " " Shaft..... |
| 41328 | 5568 | " " " Pulley with 1036c... |
| 1036c | 5569 | " " " " Set Screw.... |
| 41513 | 5569 | " " Washer..... |
| 41329 | 5567 | Frame with 1036c..... |
| 878d | 5569 | " Oil Hole Stop Screw..... |
| 41330 | 5568 | Knife Holder with two 14222..... |
| 41331 | 5568 | " " Bracket with 157E..... |
| 157E | 5569 | " " " Clamping Screw... |
| 42065 | 5569 | " " " Hinge Stud..... |
| 1036c | 5569 | " " " " " Set Screw |
| 717c | 5569 | " " " " Stop Screw..... |
| 1520j | 5569 | " " " " " Nut... |
| 41333 | 5569 | " " Clamp..... |
| 41334 | 5569 | " " " Spring..... |
| 14222 | 5569 | " " " Steady Pin..... |
| 771d | 5569 | " " " Thumb Screw..... |
| 970b | 5569 | " " Regulating Thumb Screw.. |
| 313c | 5569 | " " Screw Centre..... |
| 1519j | 5569 | " " " " Nut..... |
| 41332 | 5569 | " " Spring..... |
| 41335 | --- | Knife Grinder complete, Nos. 717c, 970b, 1508c, 1520j, 41326 to 41332, 42065, two each 313c, 771d, 878d, 1519j, 41333, 41334, 41513 and three wood screws 1¼ in. No. 12..... |

MACHINE BASE

| NO. | PLATE | NAME |
|-------|-------|--|
| 42086 | 5564 | Machine Base with three wood screws 1 1/4 in. No. 12 and four each 935e, 4718, 42088 and 66707 |
| 4718 | 5586 | Machine Base Cushion (felt) |
| 42088 | 5586 | " Cushion (felt) |
| 935e | 5586 | " " Screw |
| 66707 | 7396 | " " " Washer |

THREAD UNWINDER

FOR THREE SPOOLS

| NO. | PLATE | NAME |
|---------|-------|---|
| 225389 | 7165 | Spool Rest (for one spool) with 201018c |
| 225395 | 7165 | " " (for two spools) with 201018c |
| 225388 | 7165 | " " Rod |
| 200383c | 7396 | " " " Set Screw |
| 201018c | 7396 | " " Set Screw |
| 202490 | 7165 | " Stand with 200383c |
| 225391 | 7165 | Thread Guide |
| 201696j | 7396 | " " Lock Nut |
| 225392 | 7165 | " " Rod with 208e and 225393 |
| 208e | 5562 | " " " Screw |
| 225393 | 7396 | " " " Washer |
| 225397 | 7165 | Thread Unwinder complete, Nos. 201696j, 202490, 225388, 225389, 225392, 225395, three 225391 and wood screws 7/8 in. No. 12 |
| 27739 | 7234 | Thread Cone (wood) for large cones |
| 225390 | 7234 | " " Holder, for inverted cones |

NOTE: Nos. 27739 and 225390 are used with, but not included in 225397.

OBSOLETE PARTS

| NO. | PLATE | NAME |
|--------|-------|--|
| *42251 | --- | Arm with two each 462c and 42253, for S1-1 Machine |
| *42339 | --- | Arm with two each 462c and 42253, for 81-8 Machine |
| 42100 | --- | Cloth Plate complete for S1-1 Machine, Nos. 42002 to 42005, two 236c and five 229e |
| 42004 | 5589 | Cloth Plate Extension (upper) |
| 1372f | 5562 | " " Hinge Screw |
| 1547j | 5543 | " " " " Nut |
| 378c | 5553 | Looper (left hand) Lever Connecting Link Hinge Screw |

NUMERICAL LIST OF PARTS

FOR

MACHINES

Nos. 81-1 and 81-8

NUMERICAL LIST OF PARTS

| NO. PLATE | NAME |
|-----------|---|
| 61c 5590 | Feed (back) Bar Hinge Screw for S1-S Machine..... |
| 85d 5584 | Presser Lever Lifter Hinge Screw..... |
| 93c 5544 | Needle Bar Thread Retainer Screw..... |
| 133f 5542 | Knife (movable) Holder Screw for 42036 |
| 157e 5530 | Feed Rock Shaft Crank Clamping Screw for 42021..... |
| 157e 5569 | Knife Grinder Knife Holder Bracket Clamping Screw for 41331..... |
| 171f 5544 | Looper (right hand) and Spreader Lever Connection Guide Screw..... |
| 171f 5544 | Needle Bar Connecting Rod Guide Screw |
| 171f 5544 | " Guard Screw..... |
| 175e 5542 | Knife (movable) Lever Connection Cap Screw for 42043..... |
| 176d 5543 | Cord Guide Holder Screw for S1-S Machine |
| 176d 5543 | Frame Top Cover Extension Screw for S1-1 Machine..... |
| 187d 5544 | Needle Bar Connecting Bracket Clamping Screw for 42061..... |
| 190b 5556 | Feed Dog Screw for S1-1 Machine..... |
| 190b 5556 | " (front) Dog Screw for S1-S Machine |
| 190b 5556 | Thread (looper, right hand) Staple Screw |
| 197d 5553 | Looper (right hand) Screw..... |
| 197d 5556 | Spreader Screw..... |
| 197d 5556 | Thread (looper, right hand) Take-up Screw |
| 197d 5556 | " (needle) Take-up Screw for S1-1 Machine..... |
| 203d 5591 | Feed (back) Dog Screw for S1-S Machine |
| 207b 5529 | " Eccentric Cover Screw..... |
| 207d 5529 | " Regulator Indicator Screw for S1-1 Machine..... |
| 207d 5529 | Oil Pipe Strap Screw for 42355..... |
| 208e 5562 | Thread Unwinder Thread Guide Rod Screw for 225392..... |
| 209u 5553 | Looper (left hand) Set Screw for 42051..... |
| 217d 5556 | Thread (needle) Eyelet Screw..... |
| 220d 5544 | Presser Foot Stop Screw for 42357..... |
| 223f 5544 | Needle Bar Connecting Link Hinge Pin Set Screw for 42061..... |
| 228d 5544 | Needle Bar Thread Retainer Bracket Screw |
| 229e 5562 | Cloth Plate Extension (lower) Screw for 42100, 42107 and 42362..... |

NUMERICAL LIST OF PARTS

FOR

MACHINES

nos. 81-1 and 81-2

| NO. | PLATE | NAME |
|------|-------|---|
| 229E | 5562 | Cloth Plate Extension (upper) Screw for 42100, 42107 and 42362..... |
| 233D | 5530 | Feed Regulator Stop Screw for 42011..... |
| 233D | 5553 | Presser Foot Chaining-off Finger Screw for 42067 and 42357..... |
| 233D | 5553 | Thread (looper, left hand) Eyelet Screw..... |
| 233D | 5553 | " " " " Pull-off Screw for 81-8 Machine..... |
| 236C | 5562 | Cloth Plate Lock Spring Screw for 42100, 42107 and 42362..... |
| 283W | 5543 | Feed Eccentric Cover Holder Thumb Screw for 81-8 Machine..... |
| 283W | 5543 | Frame Top Cover Extension Holder Thumb Screw for 81-1 Machine..... |
| 313C | 5569 | Knife Grinder Knife Holder Screw Centre for 41335..... |
| 330W | 5562 | Frame Side Cover (left) Screw..... |
| 330W | 5562 | " " " (right) Screw..... |
| 336F | 5542 | Knife (movable) Holder Guide Set Screw for 42038..... |
| 337D | 5543 | Cord Guide Screw for 81-8 Machine..... |
| 337D | 5530 | Feed Regulator Indicator Plate Screw for 81-1 Machine..... |
| 337D | 5543 | Frame Top Cover Extension Cord Guide Screw for 81-1 Machine..... |
| 356C | 5562 | Rock Shaft Knee Arm Hub Set Screw for 2766..... |
| 356C | 5562 | Rock Shaft Knee Plate Set Screw for 2767 |
| 356C | 5562 | " " Lifting Bracket Hook Set Screw for 6337..... |
| 356C | 5562 | Rock Shaft Lifting Bracket Set Screw for 6337..... |
| 356C | 5562 | Rock Shaft Stop Dog Set Screw for 2770 |
| 378C | 5553 | Looper (left hand) Lever Connecting Link Hinge Screw, obsolete..... |
| 404D | 5542 | Knife (movable) Holder Cap Screw for 42036..... |
| 424C | 5562 | Balance Wheel Set Screw for 42001..... |
| 440F | 5543 | Knife (stationary) Holder Stop Screw..... |
| 453C | 5529 | Feed Eccentric Set Screw for 42011..... |
| 462C | 5529 | " Lifting Eccentric Set Screw for 42012 and 42345..... |
| 462C | 5544 | Needle Bar Bushing Set Screw for 42484 and 42486..... |
| 462C | 5556 | Thread (looper, left hand) Tube Set Screw |
| 621D | 5542 | Knife (movable) Holder Guide Plate Screw |

| NO. | PLATE | NAME |
|-------|-------|--|
| 624C | 7396 | Needle Bar Crank Shaft Bushing Set Screw for 42484 and 42486..... |
| 637C | 5556 | Tension (cord) Screw Stud for 33929..... |
| 717C | 5569 | Knife Grinder Knife Holder Bracket Stop Screw for 41335..... |
| 742F | 5562 | Frame Top Cover Screw for 81-1 Machine |
| 742F | 5562 | Oil Pipe Strap Screw for 42356..... |
| 742F | 5562 | Throat Plate Screw..... |
| 771D | 5569 | Knife Grinder Knife Holder Clamp Thumb Screw for 41335..... |
| 828C | 5556 | Tension (looper, left hand) Screw Stud for 42418..... |
| 828C | 5556 | Tension (looper, right hand) Screw Stud for 42418..... |
| 878D | 5569 | Knife Grinder Frame Oil Hole Stop Screw for 41335..... |
| 896E | 7396 | Looper (right hand) and Spreader Lever Connection Cap (lower) Screw for 42075 |
| 896E | 7396 | Looper (right hand) and Spreader Lever Connection Cap (upper) Screw for 42075..... |
| 896E | 7396 | Needle Bar Connecting Rod Cap (lower) Screw for 42057..... |
| 896E | 7396 | Needle Bar Connecting Rod Cap (upper) Screw for 42057..... |
| 904C | 5544 | Needle Bar Connecting Link Hinge Pin Set Screw for 42104..... |
| 916C | 5556 | Tension (needle thread) Screw Stud for 44209..... |
| 935D | 5586 | Machine Cushion Screw for 42086..... |
| 949E | 5562 | Arm Screw..... |
| 967D | 5590 | Feed (back) Adjusting Lever Clamping Screw for 42341..... |
| 970D | 5569 | Knife Grinder Knife Holder Regulating Thumb Screw for 41335..... |
| 1012E | 5529 | Feed Regulator Connection Adjusting Screw for 42015..... |
| 1036C | 5530 | Feed Rock Shaft Hinge Pin Bushing Set Screw..... |
| 1036C | 5530 | Frame Rotary Shaft Bushing (front) Set Screw..... |
| 1036C | 5530 | Frame Rotary Shaft Flanged Bushing (back) Set Screw..... |
| 1036C | 5569 | Knife Grinder Emery Wheel Shaft Pulley Set Screw for 41328..... |
| 1036C | 5569 | Knife Grinder Knife Holder Bracket Hinge Stud Set Screw for 41329..... |

| NO. | PLATE | NAME |
|-------|-------|---|
| 1036C | 5553 | Looper (left hand) Lever Hinge Stud Set Screw..... |
| 1057E | 5529 | Feed Connecting Rod Cap Screw for 42008 |
| 1101C | 5543 | Knife (stationary) Holder Screw..... |
| 1120C | 5591 | Presser Lever Hinge Stud Set Screw..... |
| 1148F | 5586 | Lifting Lever Stop Screw for 42133 and 42144..... |
| 1229C | 5542 | Knife (movable) Lever Hinge Stud Set Screw..... |
| 1229C | 5586 | Lifting Lever Bracket Screw for 41133 and 42144..... |
| 1253C | 5529 | Feed Bar Hinge Pin Set Screw for 42006.. |
| 1253C | 5529 | “ (front) Bar Hinge Pin Set Screw for 42151..... |
| 1258C | 5544 | Needle Bar Crank (back) Set Screw for 42103..... |
| 1258C | 5544 | Needle Bar Crank (front) Set Screw for 42104..... |
| 1259C | 5530 | Feed Regulator Set Screw for 42014..... |
| 1259C | 5553 | Frame Rotary Shaft Crank Set Screw for 42025..... |
| 1259C | 5553 | Looper (right hand) and Spreader Lever Ball Stud Set Screw for 42073..... |
| 1259C | 5553 | Looper (right hand) and Spreader Lever Hinge Pin Bushing Set Screw..... |
| 1259C | 5553 | Needle Bar Crank (back) Ball Stud Set Screw for 42103..... |
| 1259C | 5553 | Needle Bar Crank (back) Position Screw for 42103..... |
| 1259C | 5553 | Needle Bar Crank (front) Position Screw for 42104..... |
| 1301D | 5586 | Lifting Lever Hinge Screw for 42133 and 42144..... |
| 1324C | 5591 | Presser Foot Screw..... |
| 1354C | 5562 | Balance Wheel Position Screw for 42001 |
| 1372F | 5562 | Cloth Plate Hinge Screw, obsolete..... |
| 1373C | 5529 | Feed Connecting Rod Hinge Screw..... |
| 1373C | 5529 | “ Regulator Connection Hinge Screw |
| 1373C | 5542 | Knife (movable) Lever Connection Hinge Screw..... |
| 1374C | 5530 | Feed Regulating Screw Stud..... |
| 1375C | 5553 | Frame Rotary Shaft Crank Position Screw for 42025..... |
| 1376C | 5543 | Knife (stationary) Holder Regulating Thumb Screw..... |
| 1377C | 5584 | Presser Lever Screw Stud (eccentric)..... |
| 1378D | 5584 | Pressure Regulating Thumb Screw..... |

| NO. | PLATE | NAME |
|-------|-------|---|
| 1407E | 5563 | Machine Base Thumb Screw, for 3 in. table (Accessories)..... |
| 1408E | 5563 | Machine Base Thumb Screw, for 2 in. table (Accessories)..... |
| 1437D | 5562 | Cloth Plate Hinge Screw..... |
| 1508C | 5569 | Knife Grinder Emery Wheel Clamping Nut for 41335..... |
| 1519J | 5569 | Knife Grinder Knife Holder Screw Centre Nut for 41335..... |
| 1520C | 5529 | Feed Connecting Rod Hinge Screw Nut.. |
| 1520C | 5529 | “ Regulator Connection Hinge Screw Nut..... |
| 1520J | 5569 | Knife Grinder Knife Holder Bracket Stop Screw Nut for 41335..... |
| 1520C | 5542 | Knife (movable) Lever Connection Hinge Screw Nut..... |
| 1520C | 5553 | Looper (left hand) Lever Connecting Link Hinge Screw Nut..... |
| 1534W | 5543 | Knife (stationary) Clamping Stud Thumb Nut..... |
| 1547J | 5543 | Cloth Plate Hinge Screw Nut, obsolete... |
| 1547J | 5543 | Knife (stationary) Holder Stop Screw Nut |
| 1547J | 5543 | Lifting Lever Stop Screw Nut for 42133 and 42144..... |
| 1547J | 5584 | Presser Lever Screw Stud Nut..... |
| 1560C | 5556 | Tension (cord) Regulating Thumb Nut for 33929..... |
| 1560C | 5556 | Tension (looper, left hand) Regulating Thumb Nut for 42418..... |
| 1560C | 5556 | Tension (looper, right hand) Regulating Thumb Nut for 42418..... |
| 1560C | 5556 | Tension (needle thread) Regulating Thumb Nut 44209..... |
| 1629 | 5544 | Needle Clamping Nut, obsolete, use 1728C |
| 1655E | 5562 | Cloth Plate Hinge Screw Nut..... |
| 1680C | 5530 | Feed Regulating Screw Stud Nut..... |
| 1728C | 5544 | Needle Clamping Nut..... |
| 2102 | 5556 | Tension (cord) Disc..... |
| 2102 | 5556 | “ (looper, left hand) Disc..... |
| 2102 | 5556 | “ (looper, right hand) Disc..... |
| 2102 | 5556 | “ (needle thread) Disc..... |
| 2749 | 5543 | Feed Eccentric Cover Holder Thumb Screw Washer for 81-8 Machine..... |
| 2749 | 5543 | Frame Top Cover Extension Holder Thumb Screw Washer for 81-1 Machine..... |
| 2763 | 5564 | Rock Shaft for 42143..... |

| NO. | PLATE | NAME |
|----------------------------|-------|---|
| Nos. 2765 to 2767 FOR 2768 | | |
| 2765 | 5564 | Rock Shaft Knee Arm..... |
| 2766 | 5564 | “ “ “ “ Hub with 356c... |
| 2767 | 5564 | “ “ “ Plate with 356c..... |
| 2768 | — | Rock Shaft Knee Arm complete for 42143, Nos. 2765 to 2767..... |
| 2770 | 5564 | Rock Shaft Stop Dog with 356c for 42143 |
| 4389 | 5543 | Arm Dowel Pin..... |
| 4718 | 5586 | Machine Base Cushion (felt) for 42086... |
| 4822 | 5566 | Wrench for 1547 (Accessories)..... |
| 4879 | 5566 | Chain Connecting Link for 4885..... |
| Nos. 4881 to 4884 FOR 4885 | | |
| 4881 | 5564 | Treadle..... |
| 4882 | 5566 | “ Shaft..... |
| 4883 | 5566 | “ Spring..... |
| 4884 | 5564 | “ Stand..... |
| 4885 | 5564 | Treadle complete for 42133, Nos. 4879, 4881 to 4884 and two wood screws 1 in. No. 16..... |
| 6337 | 5564 | Rock Shaft Lifting Bracket with two 356c, for 42143..... |
| 6439 | — | Chain, 36 in. to 45 in., with 56864 and 56865, for 42133..... |
| 7125 | 5564 | Rock Shaft Lifting Bracket Hook for 42143..... |
| 8908 | 5566 | Wrench for 1520 and 1655 (Accessories) |
| 9842 | 5586 | Machine Base Thumb Screw Spring Washer (Accessories)..... |
| 42483 | 7396 | Needle Bar Thread Retainer Disc for 81-1 Machine..... |
| 10106 | 5544 | Needle Bar Thread Retainer Disc (outside) for 42349..... |
| 10107 | 5544 | Needle Bar Thread Retainer Spring..... |
| 10148 | 5556 | Tension (cord) Spring..... |
| 10148 | 5556 | “ (looper, left hand) Spring..... |
| 10148 | 5556 | “ (looper, right hand) Spring..... |
| 10148 | 5556 | “ (needle thread) Spring..... |
| 12242 | 5564 | Rock Shaft Hanger with two wood screws 1 in. No. 10, for 42143..... |
| 14063 | 5586 | Machine Base Thumb Screw Spring (Accessories)..... |
| 14222 | 5569 | Knife Grinder Knife Holder Clamp Steady Pin for 41330..... |
| 17547 | 5556 | Tension (looper, right hand) Thread Guide |
| 19045 | 5543 | Frame Side Cover (left) Handle for 42027 |

| NO. | PLATE | NAME |
|-------------------------------|-------|--|
| 27739 | 7234 | Thread Unwinder Thread Cone (wood) for large cones, for 225397..... |
| 29599 | 5584 | Looper (right hand) and Spreader Lever Connection Oil Tube Packing (felt) for 42106..... |
| 33929 | — | Tension (cord) Screw Stud 637c with 1560c |
| 39541 | 5586 | Presser Foot Screw Washer..... |
| 40247 | 5544 | Needle Bar Connecting Link Hinge Pin... |
| Nos. 41326 to 41334 FOR 41335 | | |
| 41326 | 5568 | Knife Grinder Emery Wheel..... |
| 41327 | 5568 | “ “ “ “ Shaft..... |
| 41328 | 5568 | “ “ “ “ Pulley with 1036c..... |
| 41329 | 5567 | Knife Grinder Frame with 1036c..... |
| 41330 | 5568 | “ “ Knife Holder with two 14222..... |
| 41331 | 5568 | Knife Grinder Knife Holder Bracket with 157E..... |
| 41332 | 5569 | Knife Grinder Knife Holder Spring..... |
| 41333 | 5569 | Knife Grinder Knife Holder Clamp..... |
| 41334 | 5569 | “ “ “ “ Spring |
| 41335 | — | Knife Grinder complete for 42033 and 42046, Nos. 717c, 970b, 1508c, 1520b, 41326 to 41332, 42065, two each 313c, 771b, 878b, 1519a, 41333, 41334, 41513 and three wood screws 1¼ in. No. 12... |
| 41513 | 5569 | Knife Grinder Emery Wheel Washer for 41335..... |
| 42001 | 5576 | Balance Wheel, 2¼ in. pulley, with 424c and 1354c..... |
| 42002 | 5526 | Cloth Plate for 42100 and 42107..... |
| 42003 | 5526 | “ “ Extension (lower) 42100 and 42107..... |
| 42004 | 5589 | Cloth Plate Extension (upper) 42100, obsolete..... |
| 42005 | 5526 | Cloth Plate Lock Spring for 42100, 42107 and 42362..... |
| 42006 | 5529 | Feed Bar with 1253c, for 81-1 Machine... |
| 42007 | 5529 | “ “ Hinge Pin for 81-1 Machine.... |
| 42007 | 5529 | “ (front) Bar Hinge Pin for 81-8 Ma- chine..... |
| 42008 | 5529 | Feed Connecting Rod with 42009 and two 1057E..... |
| *42009 | — | Feed Connecting Rod Cap for 42008..... |
| 42010 | 5541 | “ Dog, 17 teeth (16 teeth to the inch) for 81-1 Machine..... |

| NO. | PLATE | NAME |
|--------|-------|---|
| 42011 | 5529 | Feed Eccentric with two 453c..... |
| 42012 | 5529 | " Lifting Eccentric with two 462c, for 81-1 Machine..... |
| 42013 | 5529 | Feed Lifting Eccentric Connection..... |
| 42014 | 5530 | " Regulator with 233b and two 1259c..... |
| 42015 | 5529 | " " Connection with 1012e..... |
| 42016 | 5530 | " " Hinge Stud..... |
| 42017 | 5529 | " " Indicator for 81-1 Machine..... |
| 42018 | 5530 | Feed Regulator Indicator Plate for 81-1 Machine..... |
| 42019 | 5530 | Feed Rock Shaft for 42020..... |
| 42020 | — | Feed Rock Shaft complete, Nos. 42019 and 42021..... |
| 42021 | 5530 | Feed Rock Shaft Crank with 157e, for 42020..... |
| *42022 | — | Frame for 81-1 Machine..... |
| 42023 | 5576 | " Rotary Shaft..... |
| 42024 | 5576 | " " " Bushing (front)..... |
| 42025 | 5553 | " " " Crank with 1259c and 1375c..... |
| 42026 | 5576 | Frame Rotary Shaft Flanged Bushing (back) with 54967..... |
| 42027 | 5589 | Frame Side Cover (left) with 19045..... |
| 42028 | 5526 | " " " (right) hinged..... |
| 42029 | 5576 | " Top Cover for 81-1 Machine..... |
| 42030 | 5543 | Cord Guide Holder for 81-8 Machine..... |
| 42030 | 5543 | Frame Top Cover Extension for 81-1 Machine..... |
| 42031 | 5543 | Cord Guide for 81-8 Machine..... |
| 42031 | 5543 | Frame Top Cover Extension Cord Guide for 81-1 Machine..... |
| 42033 | 5542 | Knife (movable)..... |
| 42034 | 5542 | " " " Gib for 42036..... |
| 42035 | 5542 | " " " Holder for 42036..... |
| 42036 | — | " " " 42035 with 133e, 42034, 42037, 42040 and two 101d..... |
| 42037 | 5542 | Knife (movable) Holder Cap for 42036..... |
| 42038 | 5542 | " " " Guide with 336e..... |
| 42039 | 5542 | " " " " Plate..... |
| 42040 | 5542 | " " " Screw Extension Pin for 42036..... |
| 42041 | 5542 | Knife (movable) Holder Spring..... |
| 42042 | 5542 | " " " Lever..... |
| 42043 | 5542 | " " " Connection with 42044 and two 175e..... |

| NO. | PLATE | NAME |
|--------|-------|--|
| *42044 | — | Knife (movable) Lever Connection Cap for 42043..... |
| 42045 | 5542 | Knife (movable) Lever Hinge Stud..... |
| 42045 | 5542 | Presser Lever Hinge Stud..... |
| 42046 | 5543 | Knife (stationary) with 42049..... |
| 42047 | 5543 | " " Holder..... |
| 42048 | 5543 | " " Clamping Stud..... |
| 42049 | 5543 | " " Stud for 42046..... |
| 42050 | 5553 | Looper (left hand)..... |
| 42051 | 5553 | " " " Lever with 209u..... |
| 42052 | 5553 | " " " " Connecting Link..... |
| 42053 | 5553 | Looper (left hand) Lever Hinge Stud..... |
| 42054 | 5544 | Needle Bar..... |
| 42055 | 5544 | " " Connecting Link..... |
| 42057 | 5544 | " " " Rod with 42059, 42076 and four 896e, for 81-1 Machine..... |
| *42059 | — | Looper (right hand) and Spreader Lever Connection Cap (upper) for 42075..... |
| *42059 | — | Needle Bar Connecting Rod Cap (upper) for 42057 and 42347..... |
| 42061 | 5544 | Needle Bar Connecting Bracket with 187b and 223e..... |
| 42065 | 5569 | Knife Grinder Knife Holder Bracket Hinge Stud for 41335..... |
| 42066 | 5544 | Needle Guard..... |
| 42067 | 5541 | Presser Foot with 233b and 42068, for 81-1 Machine..... |
| 42068 | 5541 | Presser Foot Chaining-off Finger for 42067 and 42357..... |
| 42069 | 5576 | Presser Lever..... |
| 42070 | 5584 | " " Lifter..... |
| 42071 | 5584 | " " Spring..... |
| 42072 | 5584 | Spreader for 81-1 Machine..... |
| 42073 | 5553 | Looper (right hand) and Spreader Lever with 1259c..... |
| 42074 | 5553 | Looper (right hand) and Spreader Lever Ball Stud..... |
| 42074 | 5553 | Needle Bar Crank (back) Ball Stud..... |
| 42075 | 5553 | Looper (right hand) and Spreader Lever Connection with 42059, 42076 and four 896e..... |
| *42076 | — | Looper (right hand) and Spreader Lever Connection Cap (lower) for 42075..... |
| *42076 | — | Needle Bar Connecting Rod Cap (lower) for 42057 and 42347..... |

| NO. | PLATE | NAME |
|-------|-------|--|
| 42077 | 5584 | Looper (right hand) and Spreader Lever Connection Guide |
| 42077 | 5584 | Needle Bar Connecting Rod Guide |
| 42078 | 5584 | Looper (right hand) and Spreader Lever Hinge Pin |
| 42079 | 5530 | Feed Rock Shaft Hinge Pin Bushing |
| 42079 | 5530 | Looper (right hand) and Spreader Lever Hinge Pin Bushing |
| 42082 | 5556 | Tension (needle thread) Thread Guide |
| 42084 | 5556 | Thread (looper, left hand) Tube |
| 42085 | 5541 | Throat Plate for 42010 for 81-1 Machine |
| 42086 | 5564 | Machine Base with three wood screws 1¼ in. No. 12 and four each 935b, 4718, 42088 and 66707 |
| 42088 | 5586 | Machine Cushion (felt) for 42086 |
| 42089 | 5566 | Wrench for 1324, 1374 and 1629 (Accessories) |
| 42090 | 5566 | Threading Wire (Accessories) |
| 42093 | 5556 | Thread (looper, right hand) Staple |
| 42094 | 5526 | Feed Eccentric Cover for 81-1 Machine |
| 42096 | 5556 | Thread (needle) Eyelet |
| 42097 | 5556 | “ “ Take-up for 81-1 Machine |
| 42098 | 5530 | Feed Rock Shaft Hinge Pin |
| 42100 | — | Cloth Plate complete for 81-1 Machine, Nos. 42002 to 42005 two 236b and five 229b, obsolete |
| 42101 | 5543 | Frame Side Cover (right) Lock Spring |
| 42102 | 5543 | Feed Eccentric Cover Holder for 81-8 Machine |
| 42102 | 5543 | Frame Top Cover Extension Holder for 81-1 Machine |
| 42103 | 5544 | Needle Bar Crank (back) with 1258c and two 1259c |
| 42104 | 5544 | Needle Bar Crank (front) with 901c, 1258c and 1259c |
| 42105 | 5544 | Needle Bar Crank Shaft |
| 42106 | 5584 | Looper (right hand) and Spreader Lever Connection Oil Tube and Bracket with 29599 |
| 42107 | — | Cloth Plate complete for 81-1 Machine, Nos. 42002, 42003, 42005, 42108, two 236c and five 229e |
| 42108 | 5526 | Cloth Plate Extension (upper) for 42107 and 42362 |
| 42115 | 5544 | Needle Bar Thread Retainer Bracket |

| NO. | PLATE | NAME |
|---|-------|--|
| 42124 | 5590 | Thread (looper, left hand) Pull-off for 81-8 Machine |
| 42125 | 5590 | Thread (looper, left hand) Pull-off Eyelet for 81-8 Machine |
| 42127 | 5556 | Thread (looper, right hand) Take-up |
| Nos. 42130 TO 42132 FOR 42133 AND 42144 | | |
| 42130 | 5586 | Lifting Lever |
| 42131 | 5586 | “ “ Bracket |
| 42132 | 5586 | “ “ Spring |
| 42133 | — | Foot Lifter complete, Nos. 1301b, 4885, 6439, 42130 to 42132 and two each 1148F, 1229c and 1547J |
| 42142 | 5564 | Lifting Lever Connecting Rod for 42144 |
| 42143 | 5564 | Rock Shaft complete for 42144, Nos. 2763, 2768, 6337, 7125 and two each 2770 and 12242 |
| 42144 | — | Knee Lifter complete, Nos. 1301b, 42130 to 42132, 42142, 42143 and two each 1148F, 1229c and 1547J |
| 42151 | 5590 | Feed (front) Bar with 1253c, for 81-8 Machine |
| 42153 | 5589 | Feed Eccentric Cover for 81-8 Machine |
| 42166 | 5553 | Looper (right hand) |
| 42242 | 7396 | Thread (looper, left hand) Eyelet |
| *42251 | — | Arm with two each 462c and 42253, for 81-1 Machine |
| 42253 | 5544 | Needle Bar Bushing for 42484 and 42486 |
| 42290 | 5530 | Feed Regulating Screw Stud Washer |
| Nos. 42339 TO 42364 FOR 81-8 MACHINE | | |
| *42339 | — | Arm with two each 462c and 42253 |
| 42340 | 5590 | Feed (back) Bar |
| 42341 | 5590 | “ “ Adjusting Lever with 967b and 42342 |
| 42342 | 5590 | Feed (back) Adjusting Lever Stud for 42341 |
| 42343 | 5541 | Feed (back) Dog, 3 teeth (16 teeth to the inch) |
| 42344 | 5541 | Feed (front) Dog, 17 teeth (16 teeth to the inch) |
| 42345 | 5590 | Feed Lifting Eccentric with two 462c |
| *42346 | — | Frame |
| 42347 | 5590 | Needle Bar Connecting Rod with 42059, 42076 and four 896e |
| 42348 | 5591 | Needle Bar Thread Retainer Disc (inside) |
| 42349 | 5591 | “ “ “ “ “ (outside) 10106 with 42350 |

| NO. | PLATE | NAME |
|--------|-------|---|
| 42350 | — | Needle Bar Thread Retainer Disc (outside) Bushing for 42349..... |
| 42351 | 5591 | Oil Pipe with 42353 and 42354, for oiling back bearing..... |
| 42352 | 5591 | Oil Pipe with 42353 and 42354, for oiling front bearing..... |
| 42353 | 5591 | Oil Pipe Coupling for 42351 and 42352.... |
| 42354 | 5591 | " " Oil Cup for 42351 and 42352.... |
| 42355 | 5591 | " " Strap for 42351..... |
| 42356 | 5591 | " " " " 42352..... |
| 42357 | 5541 | Presser Foot with 220b, 233b, 42068 and 42358..... |
| 42358 | 5541 | Presser Foot Stop Screw Stud for 42357.. |
| 42359 | 5591 | Spreader for 81-8 Machine..... |
| 42360 | 5541 | Throat Plate for 42343 and 42344..... |
| 42361 | 5589 | Cloth Plate for 42362..... |
| 42362 | — | Cloth Plate complete, Nos. 42005, 42108, 42361, 42363 two 236c and five 229E.... |
| 42363 | 5589 | Cloth Plate Extension (lower) for 42362.. |
| 42367 | 5591 | Frame Rotary Shaft Front Bearing Oil Pad (braided cotton)..... |
| 42418 | — | Tension (looper, left hand) Screw Stud 828c with 1560c..... |
| 42418 | — | Tension (looper, right hand) Screw Stud 828c with 1560c..... |
| 42483 | 7396 | Needle Bar Thread Retainer Disc for 81-1 Machine..... |
| *42484 | — | Arm with two each 462c, 624c, 42253 and 42487, for 81-1 Machine..... |
| *42486 | — | Arm with two each 462c, 624c, 42253 and 42487, for 81-8 Machine..... |
| 42487 | 7396 | Needle Bar Crank Shaft Bushing for 42484 and 42486..... |
| 44209 | — | Tension (needle thread) Screw Stud 916c with 1560c..... |
| 50562c | 7396 | Looper (left hand) Lever Connecting Link Hinge Screw..... |
| 54967 | 5591 | Frame Rotary Shaft Flanged Bushing (back) Oil Pad (braided cotton) for 42026..... |
| 56864 | 5566 | Chain Hook (large) for 6439..... |
| 56865 | 7396 | " " (small) for 6439..... |
| 66707 | 7396 | Machine Cushion Screw Washer for 42086 |
| 120341 | 5566 | Tweezers, curved (Accessories)..... |
| 120344 | 5566 | Oiler (copper plated) with 120345 (Accessories)..... |
| 120345 | 5566 | Oiler Spout, 5 in. long, for 120344..... |

| NO. | PLATE | NAME |
|---------|-------|--|
| 120440 | 5566 | Screw Driver (Accessories)..... |
| 200383c | 7396 | Thread Unwinder Spool Rest Rod Set Screw for 202490..... |
| 201018c | 7396 | Thread Unwinder Spool Rest Set Screw for 225389 and 225395..... |
| 201696j | 7396 | Thread Unwinder Thread Guide Lock Nut for 225397..... |
| 202490 | 7165 | Thread Unwinder Spool Stand with 200383c for 225397..... |
| 225388 | 7165 | Thread Unwinder Spool Rest Rod for 225397..... |
| 225389 | 7165 | Thread Unwinder Spool Rest (for one spool) with 201018c, for 225397..... |
| 225390 | 7234 | Thread Unwinder Thread Cone Holder for inverted cones, for 225397..... |
| 225391 | 7165 | Thread Unwinder Thread Guide for 225397..... |
| 225392 | 7165 | Thread Unwinder Thread Guide Rod with 208E and 225393, for 225397..... |
| 225393 | 7396 | Thread Unwinder Thread Guide Rod Washer for 225392..... |
| 225395 | 7165 | Thread Unwinder Spool Rest (for two spools) with 201018c, for 225397..... |
| 225397 | 7165 | Thread Unwinder complete, (for three spools) Nos. 201696j, 202490, 225388, 225389, 225392, 225395 three 225391 and wood screws $\frac{7}{8}$ in. No. 12..... |

Genuine Singer Needles and their Containers are marked with the Company's Trade Mark "SIMANCO." 1

Needles in Containers marked "For Singer Machines" are not Singer made needles. 2

ILLUSTRATIONS OF PARTS

FOR

MACHINES

Nos. 81-1 and 81-8

ILLUSTRATIONS OF PARTS
FOR
MACHINES
Nos. 81-1 and 81-8

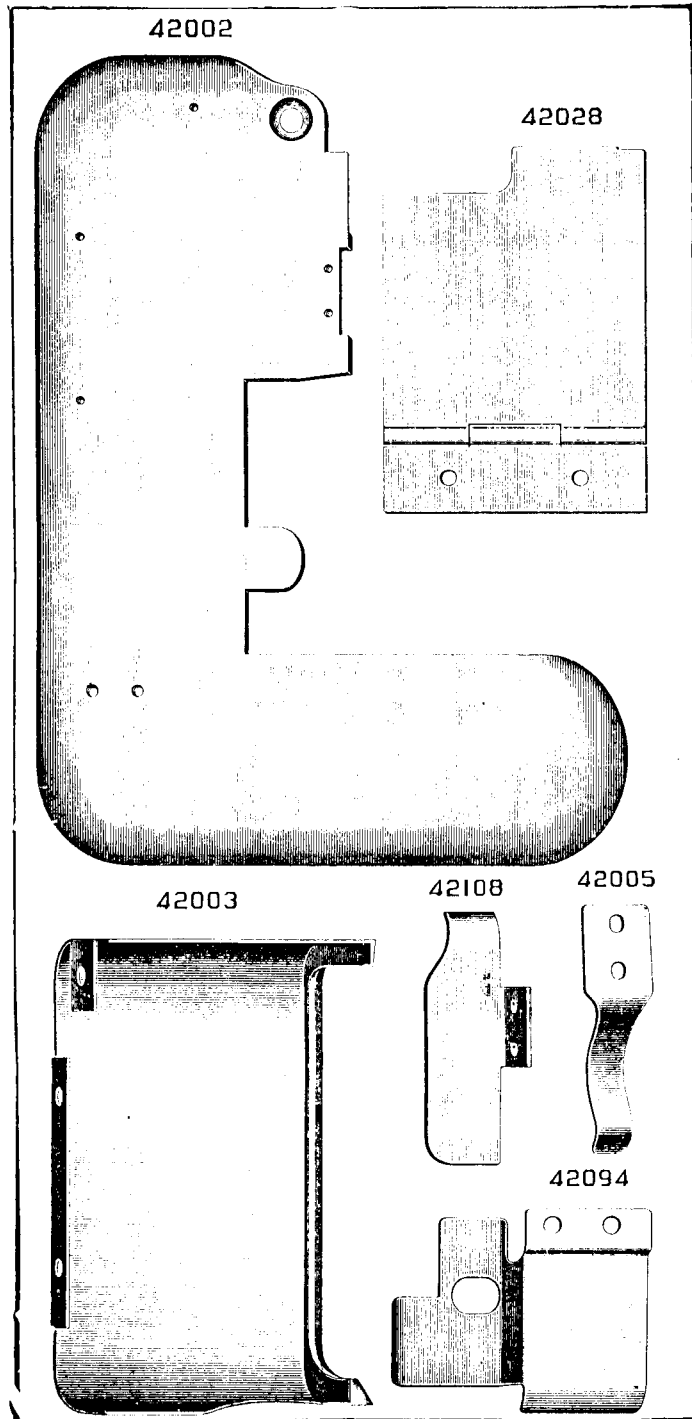


PLATE 5529—FULL SIZE

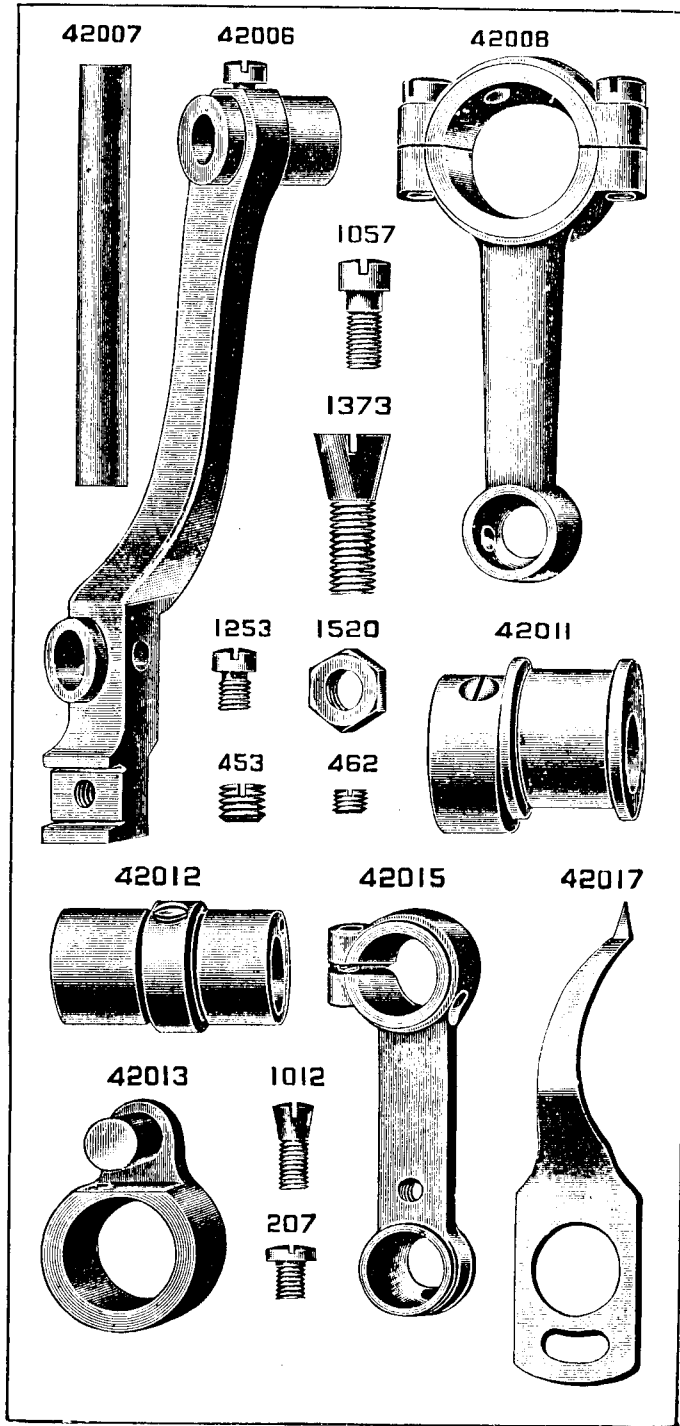


PLATE 5530—FULL SIZE

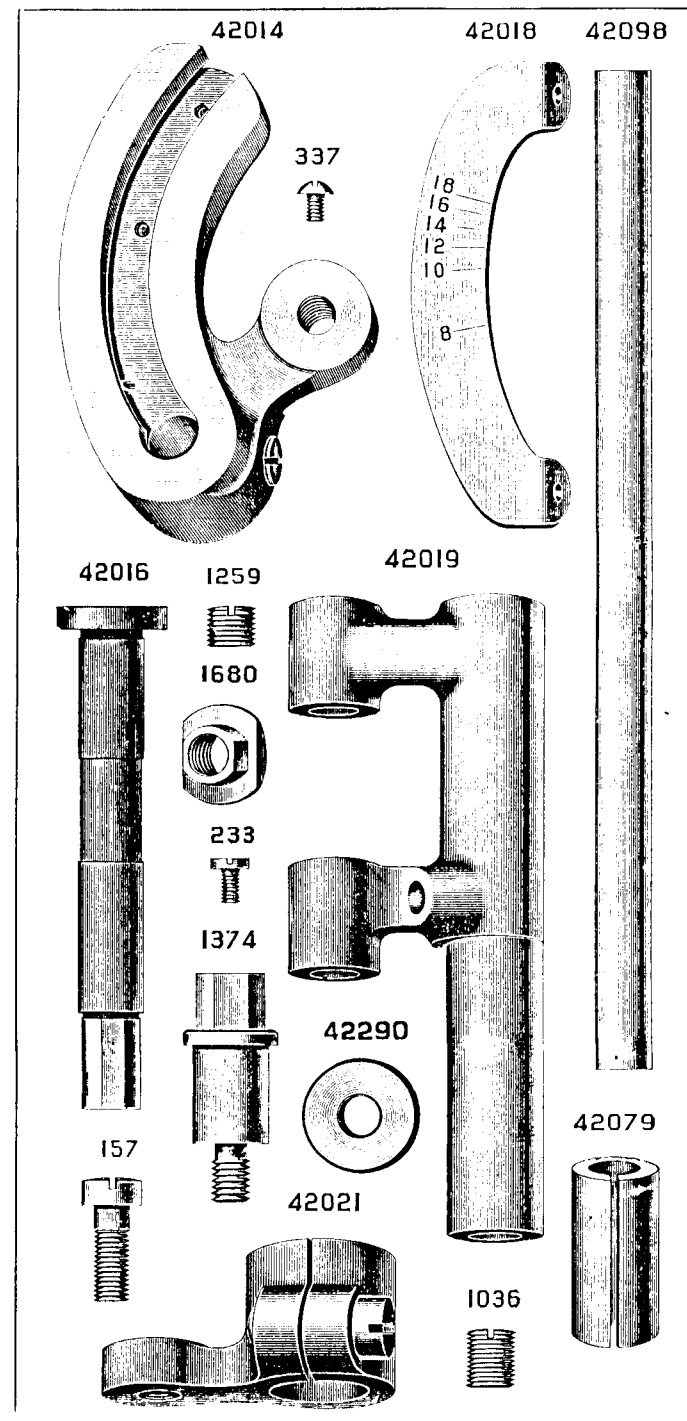


PLATE 5541—FULL SIZE

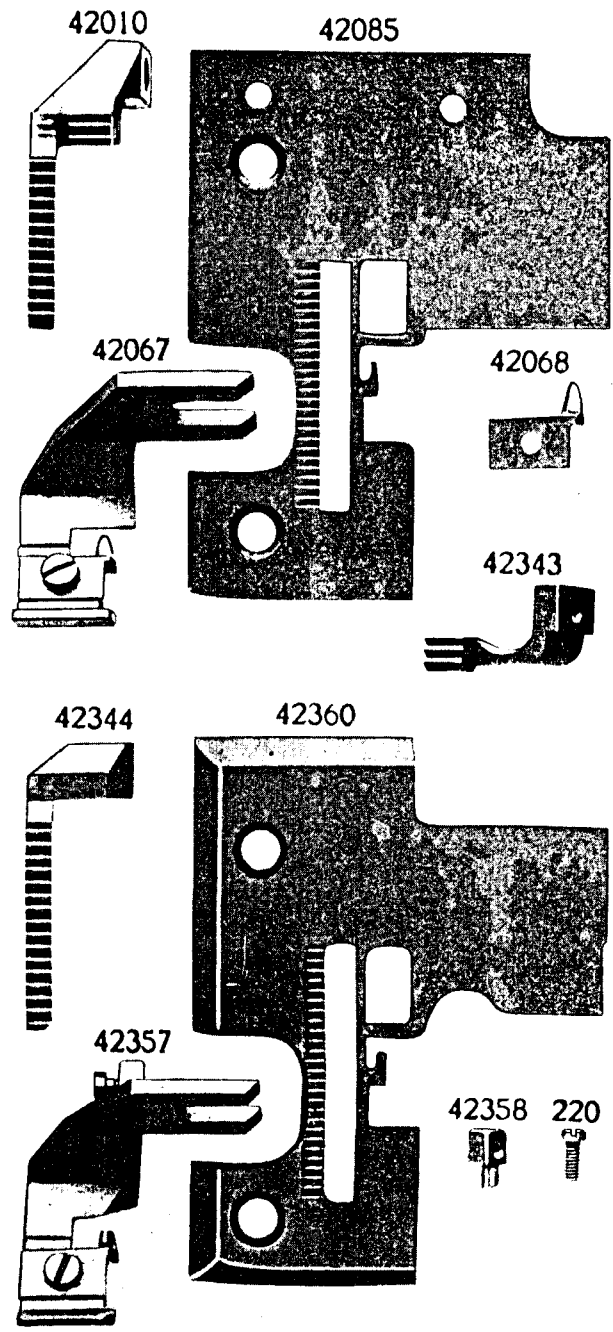


PLATE 5542—FULL SIZE

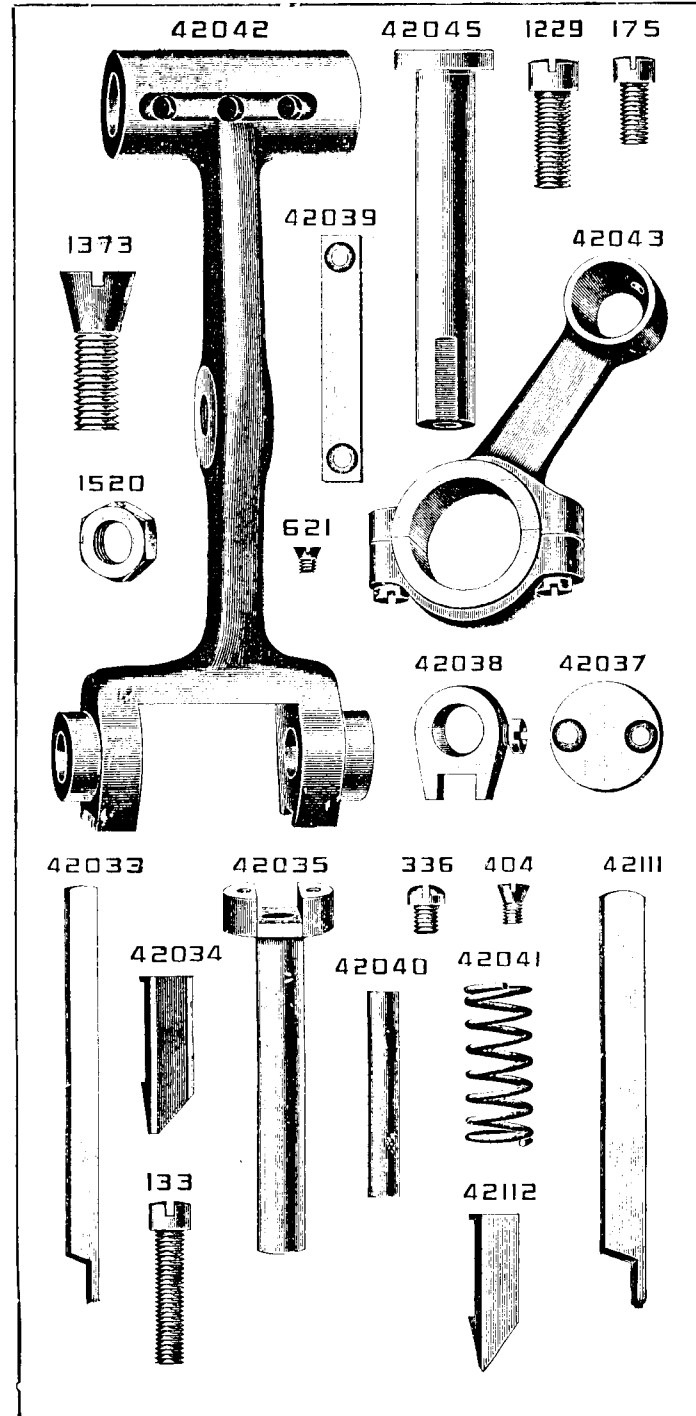


PLATE 5543—FULL SIZE

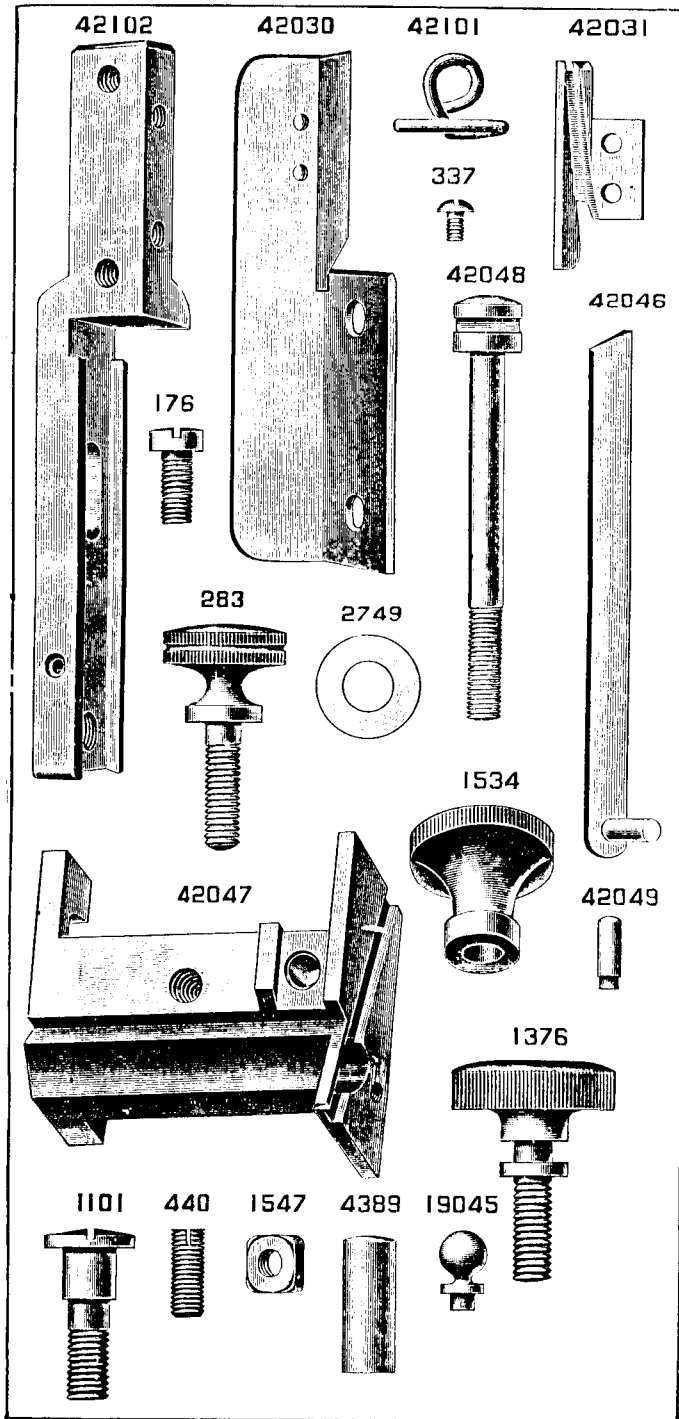


PLATE 5544—FULL SIZE

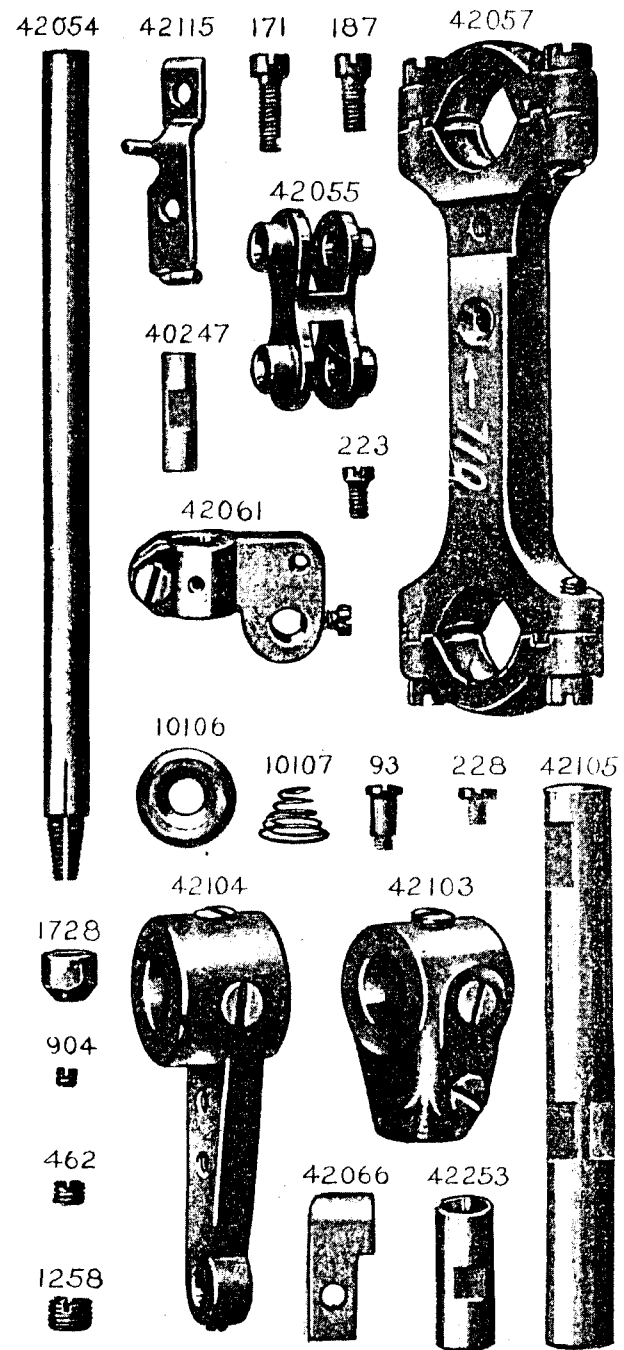


PLATE 5553—FULL SIZE

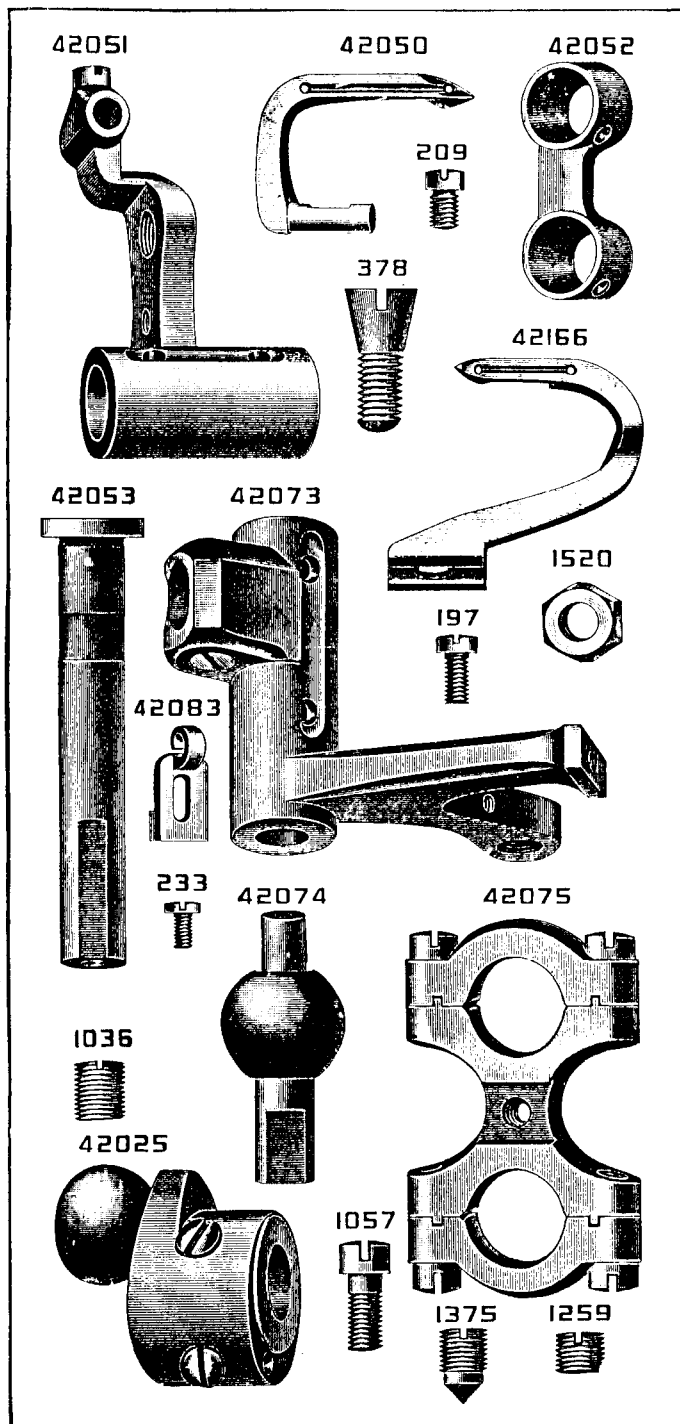


PLATE 5556—FULL SIZE

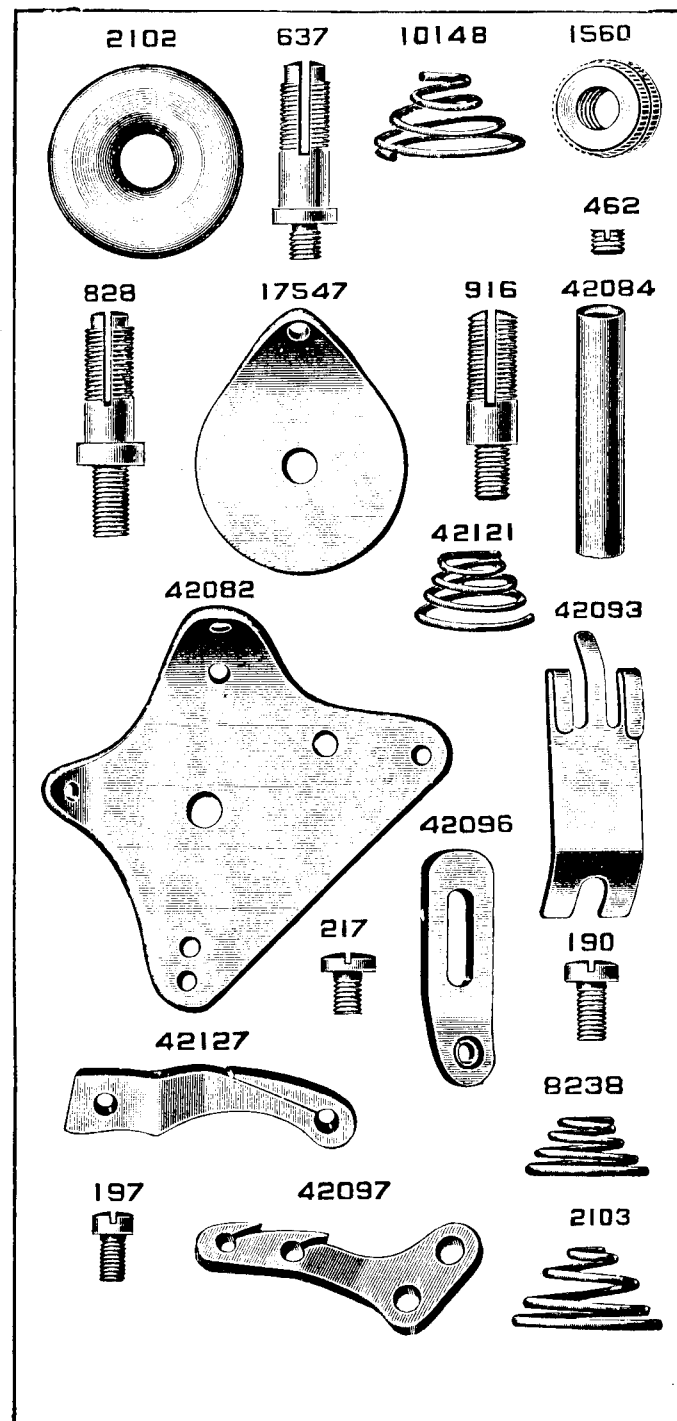


PLATE 5562—FULL SIZE

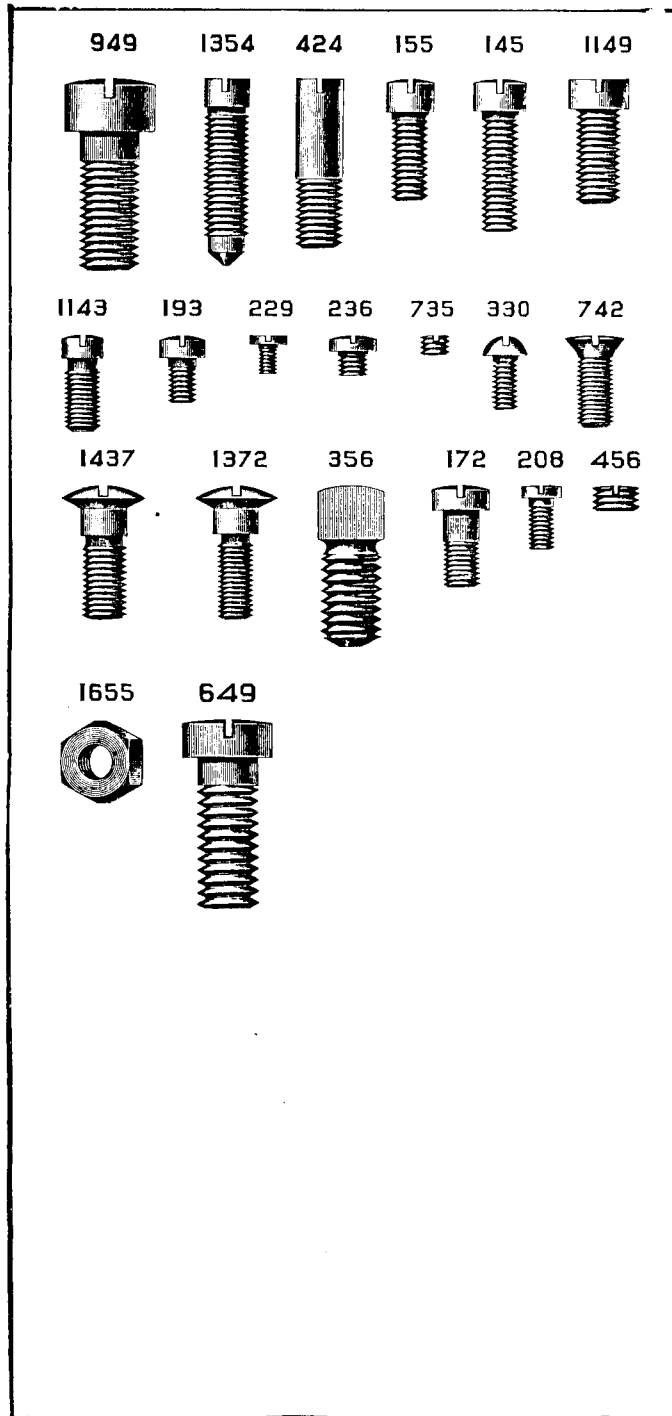


PLATE 5563—FULL SIZE

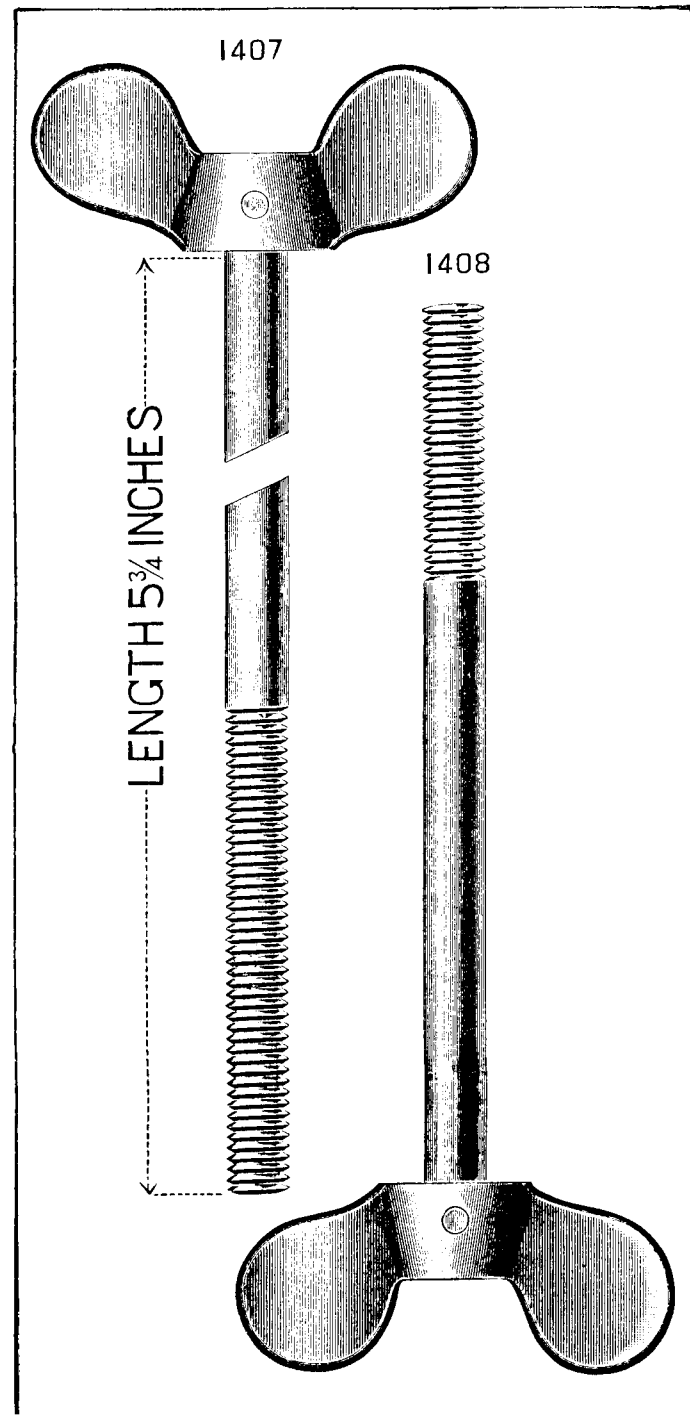


PLATE 5564—ONE-FOURTH SIZE

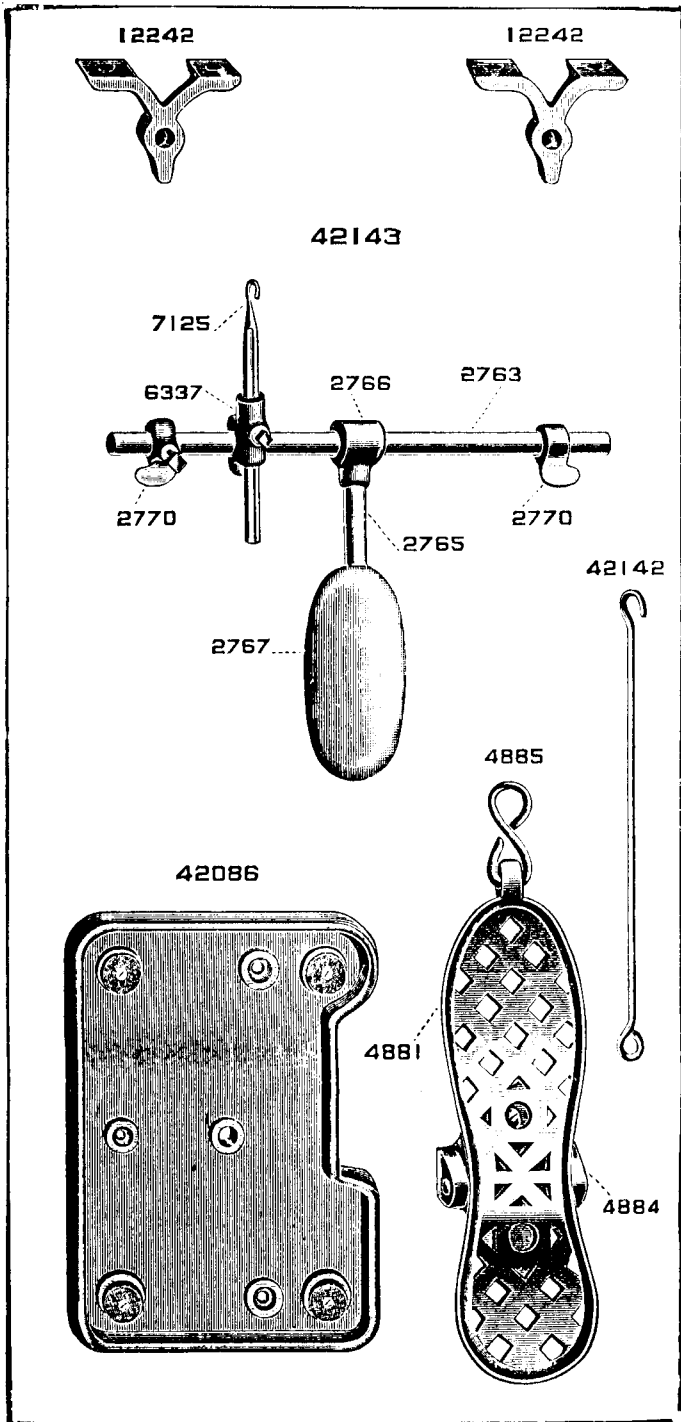


PLATE 5566—ONE-HALF SIZE

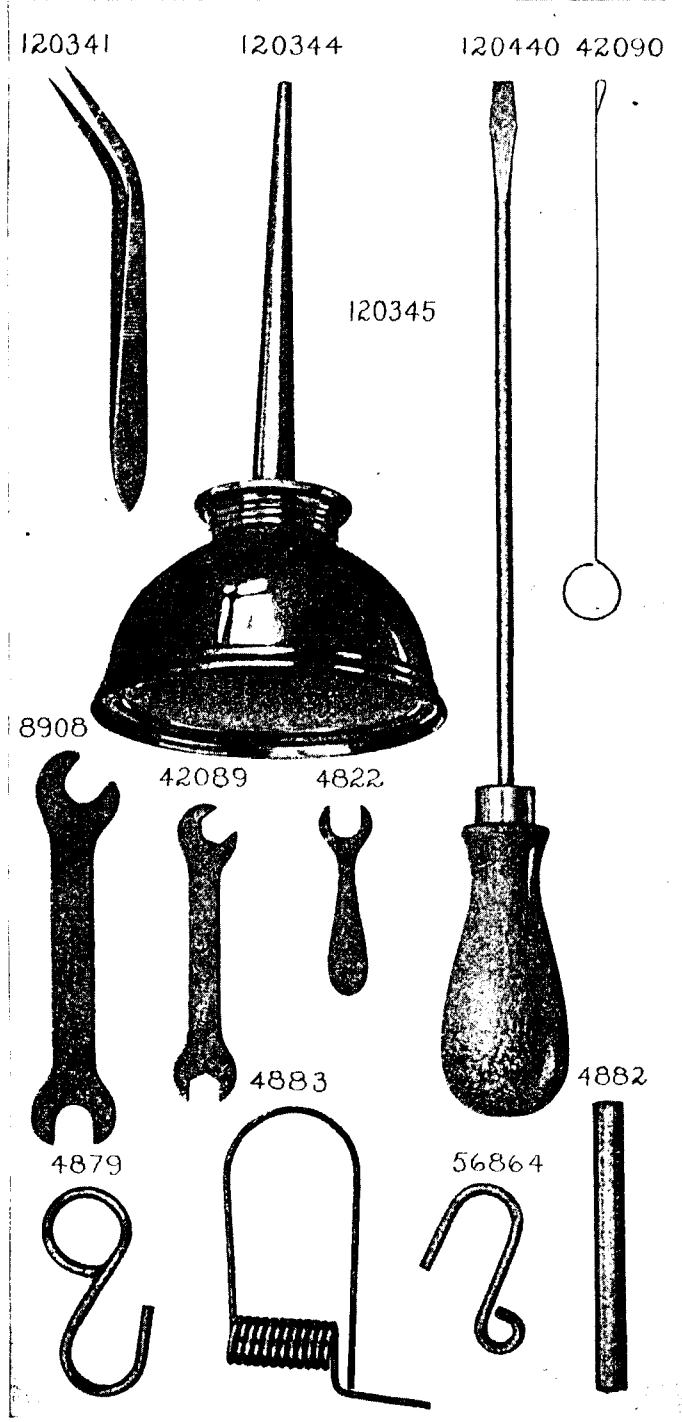


PLATE 5567--ONE-HALF SIZE

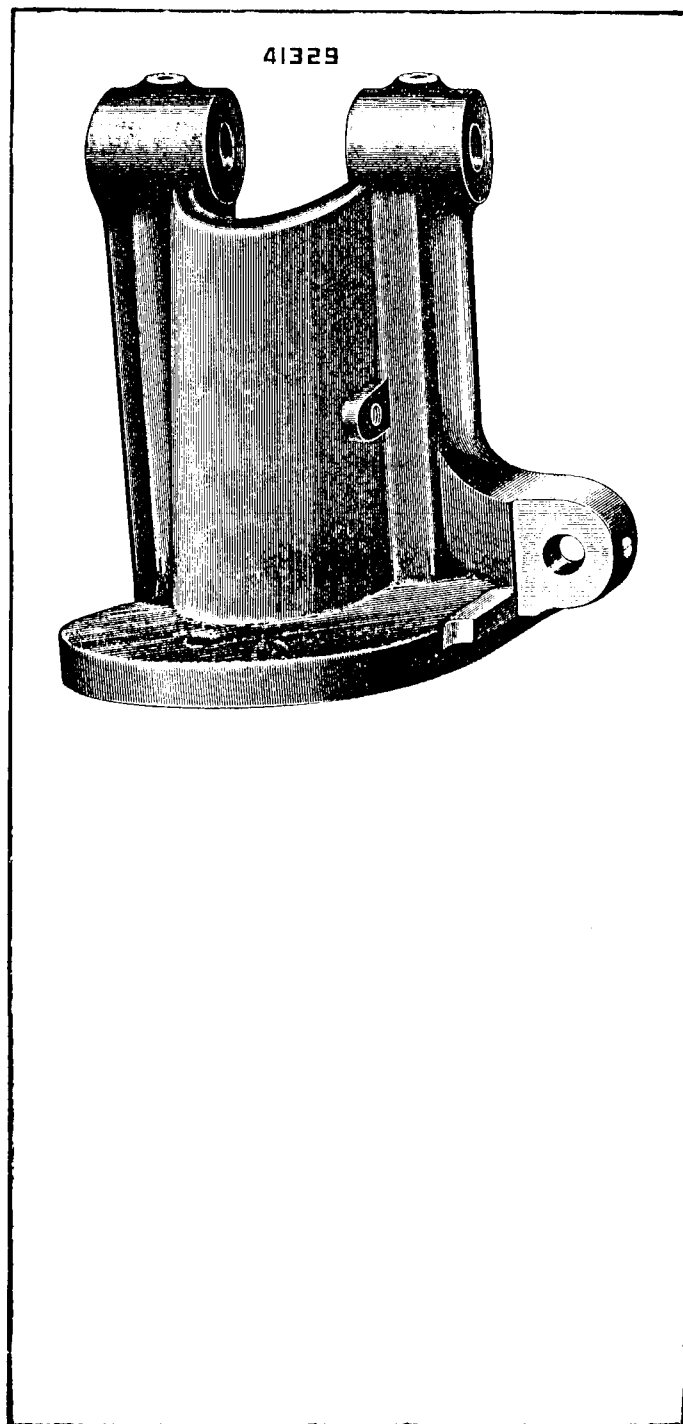


PLATE 5568--ONE-HALF SIZE

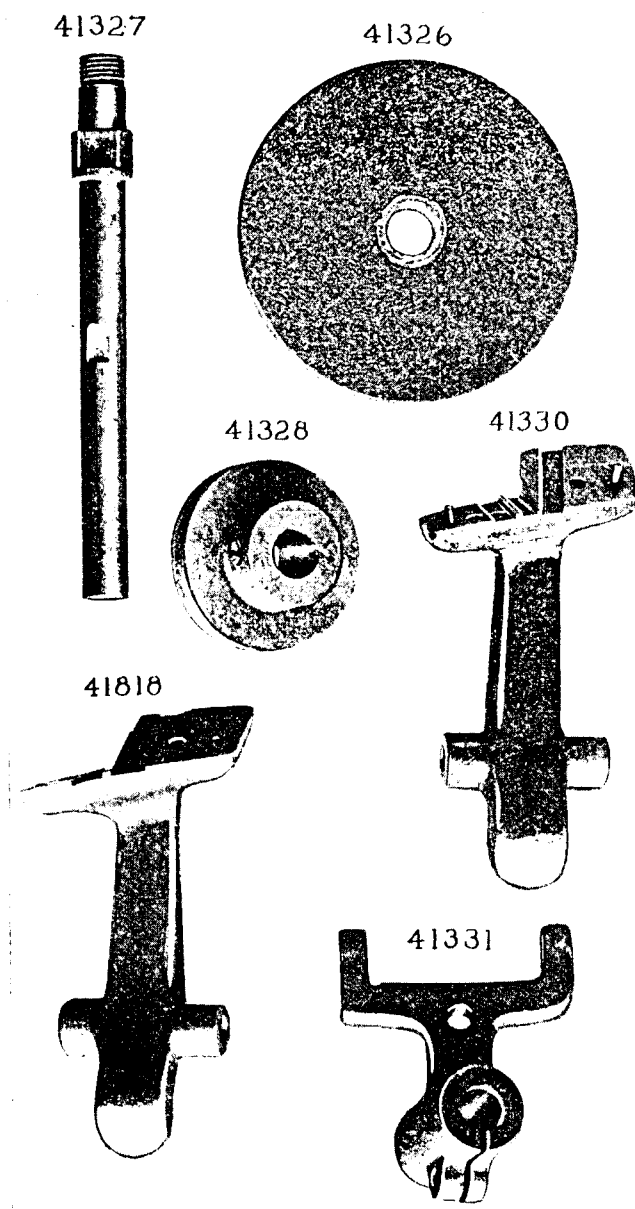


PLATE 5569—FULL SIZE

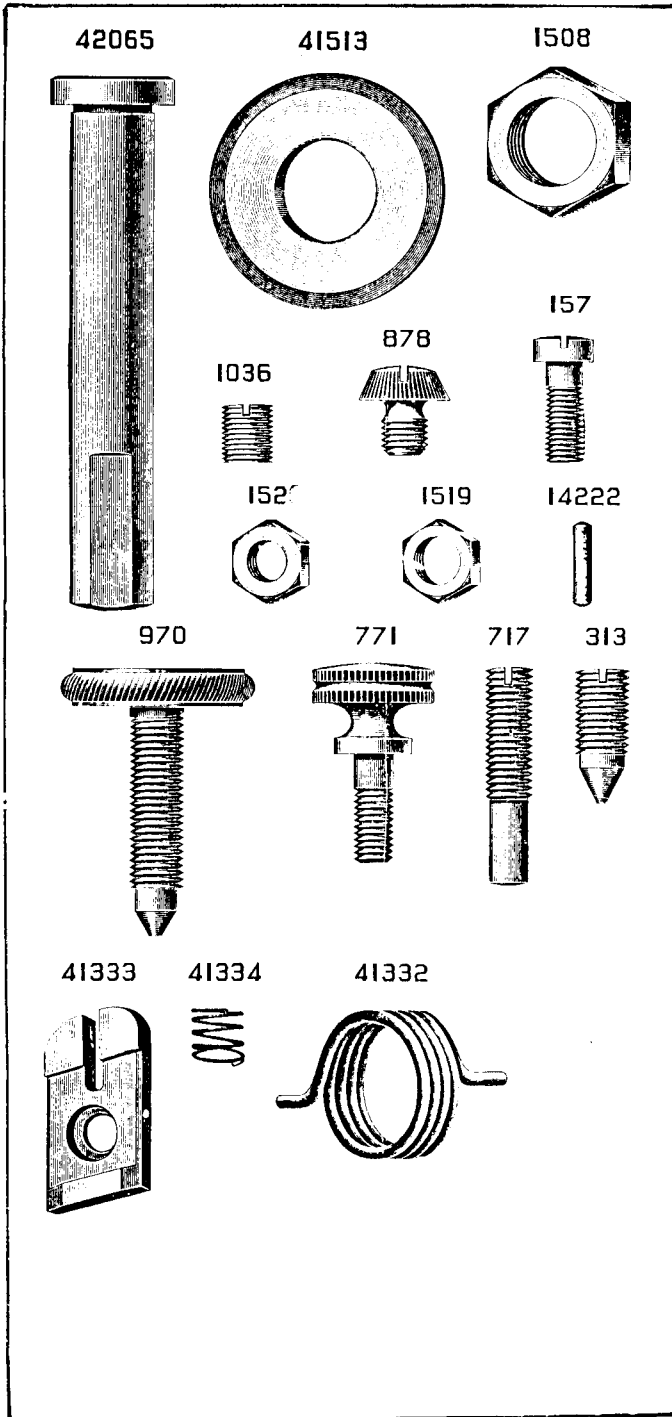


PLATE 5576—ONE-HALF SIZE

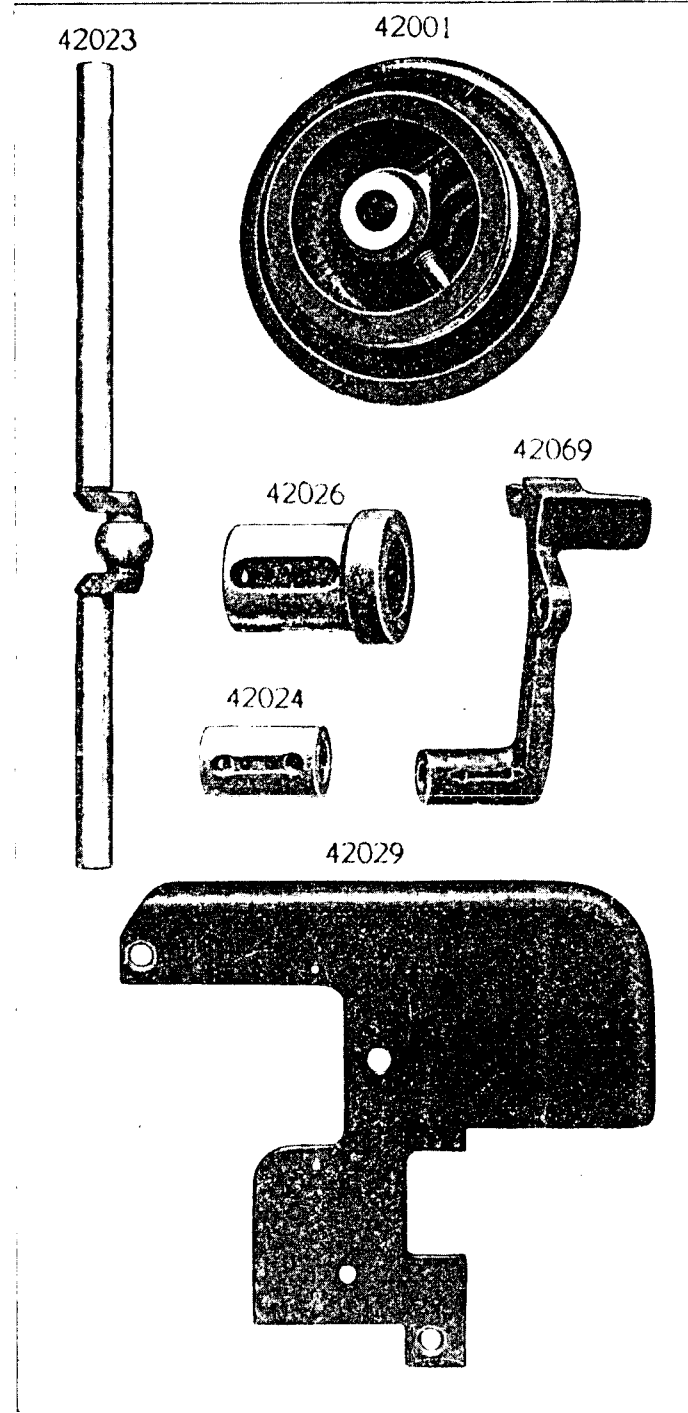


PLATE 5584—FULL SIZE

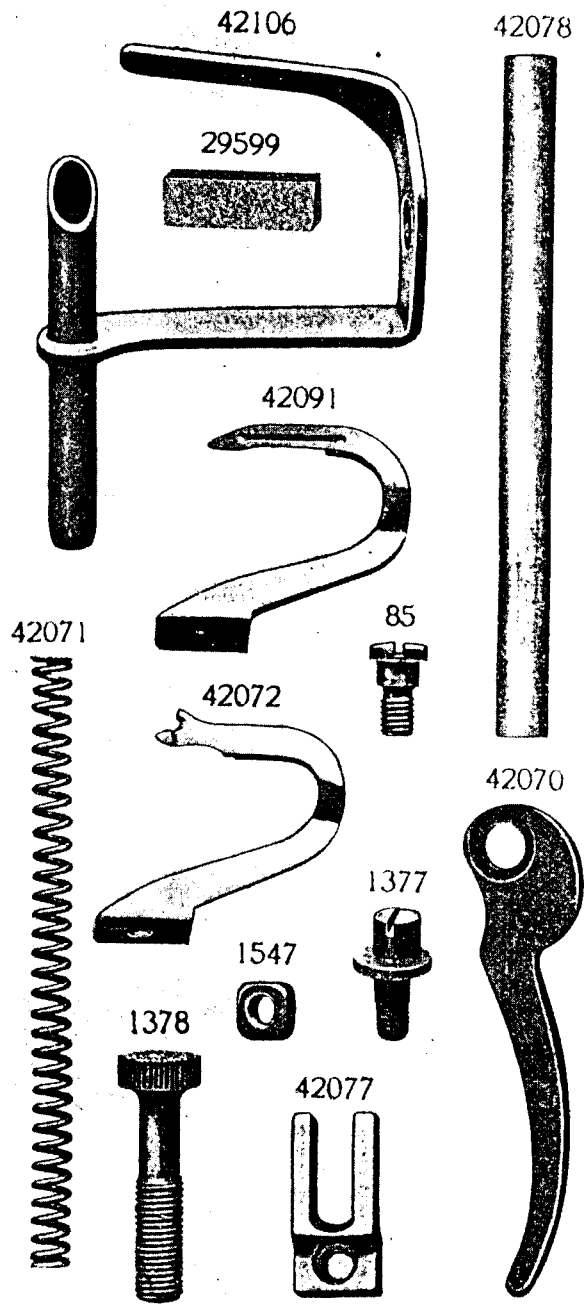


PLATE 5586—FULL SIZE

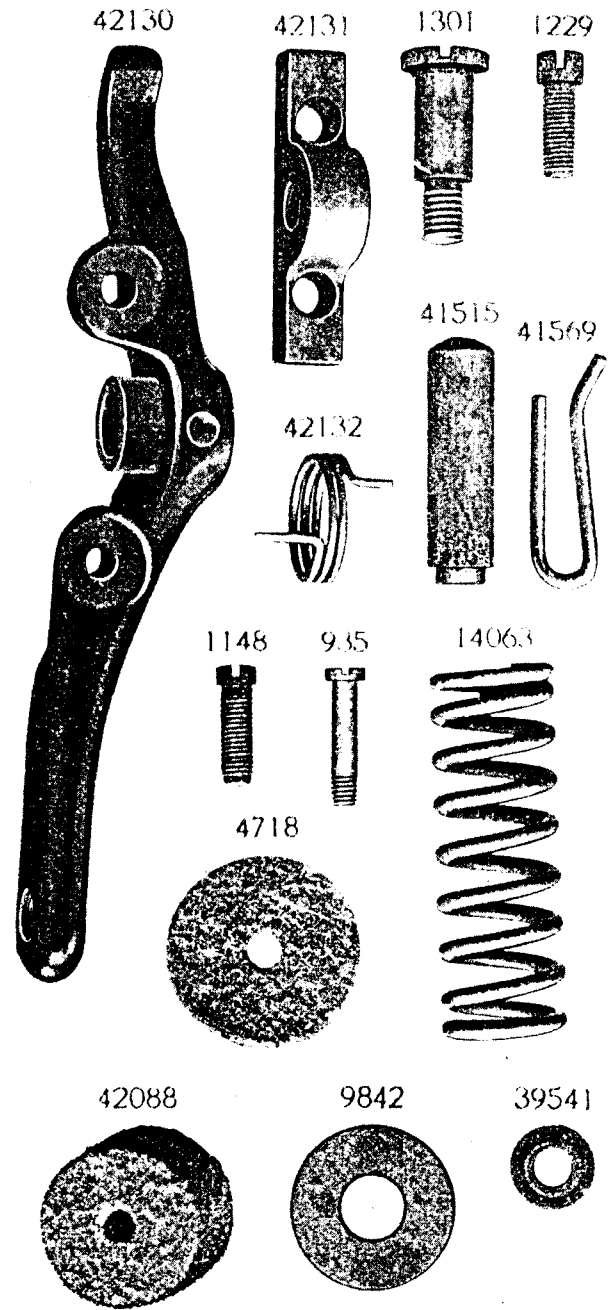


PLATE 5589—ONE-HALF SIZE

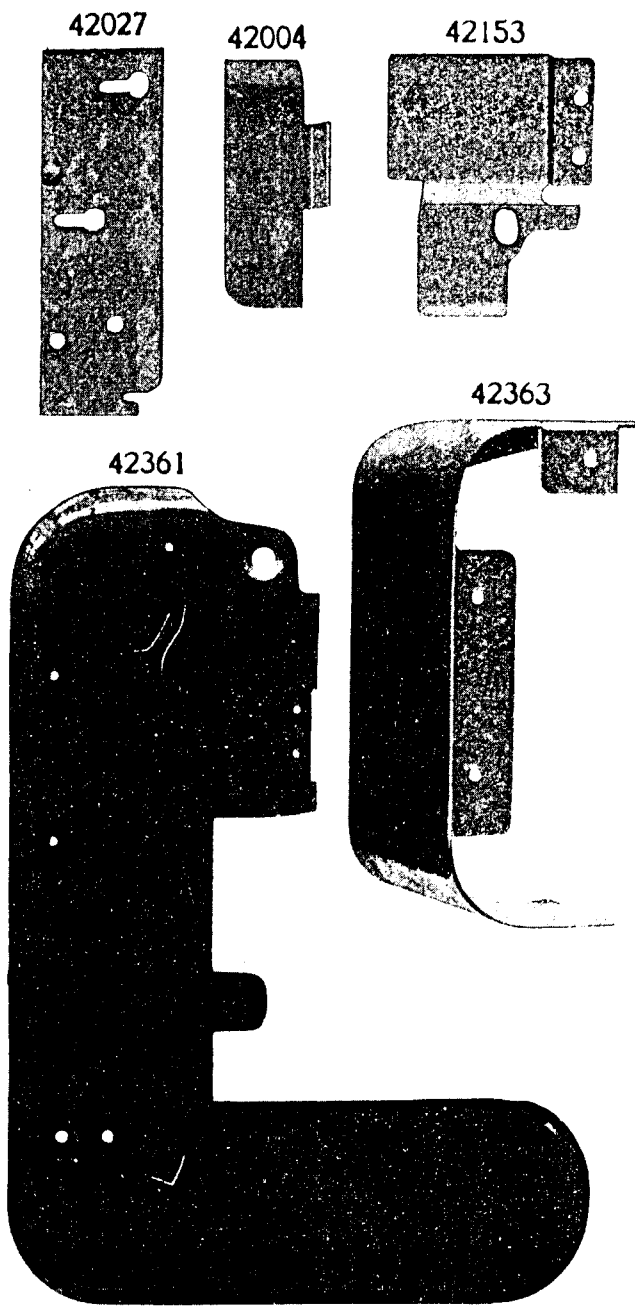


PLATE 5590—FULL SIZE

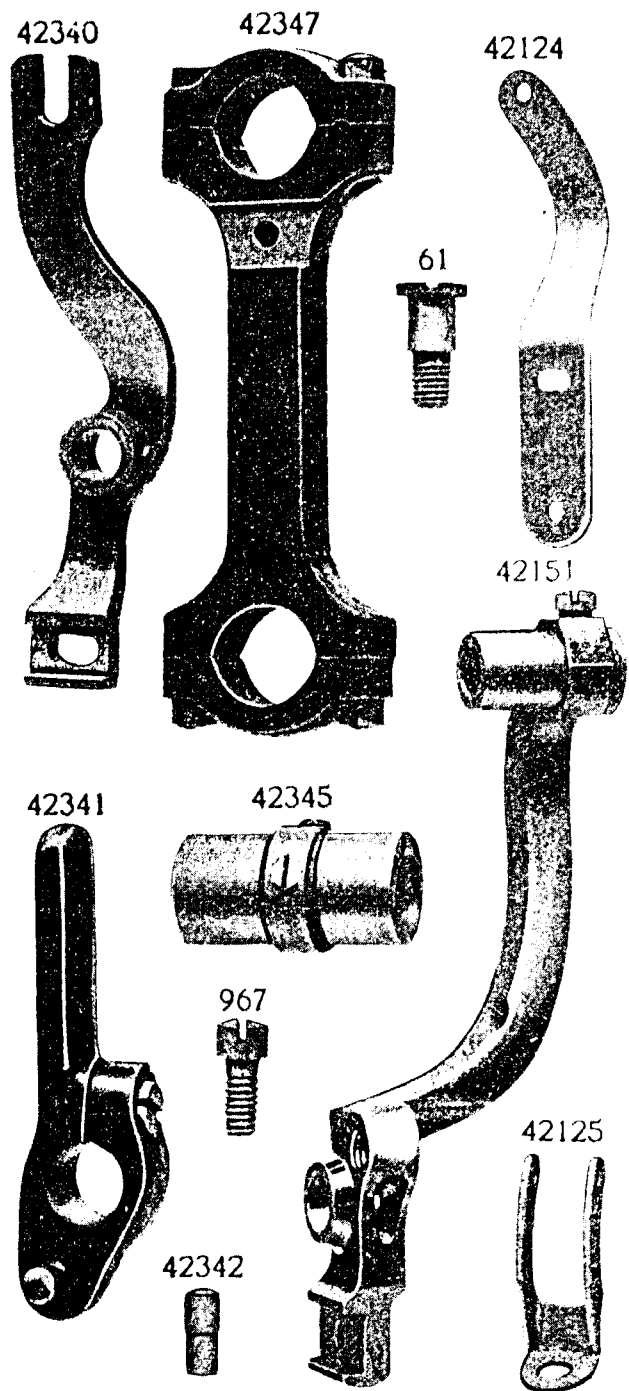


PLATE 5591—FULL SIZE

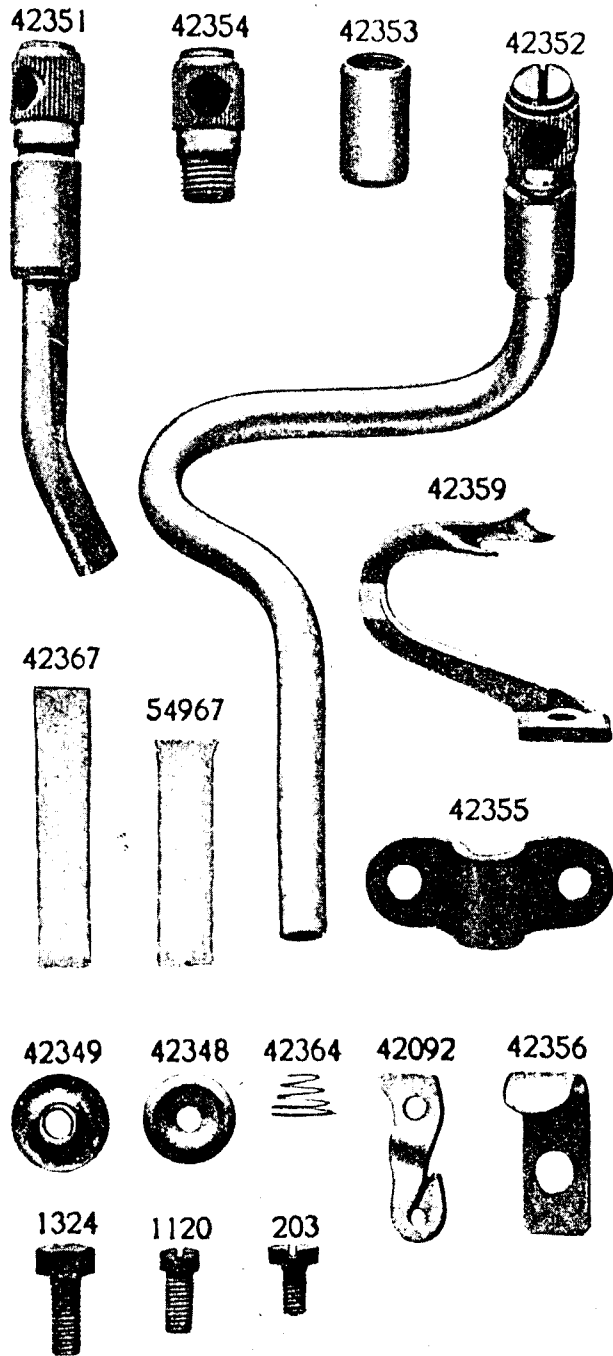


PLATE 7165—ONE-SIXTH SIZE

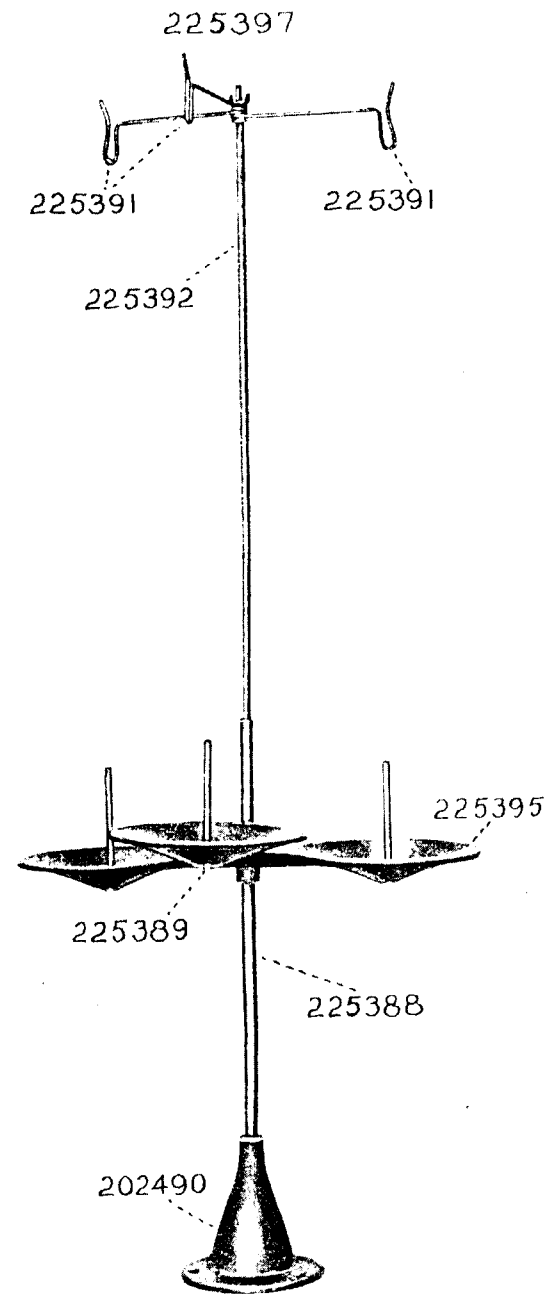


PLATE 7234—ONE-HALF SIZE

27739



225390

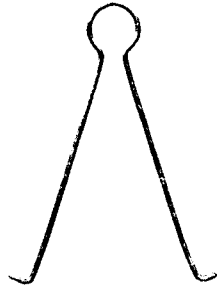


PLATE 7396—FULL SIZE

60914



56865



201696



225393



200383



42242



50562



896



201018



42461



208



624



1258



66707



42487



42183

