

# Singer

755U 211

755U 311

756U 211

756U 311

# ILLUSTRATED PARTS LIST

## SINGER®

### MACHINE

**755U** 211 (CYL. BED, BOTTOM COVER)  
311 (2N, BOTTOM HEMMING)  
311 (3N, BOTTOM HEMMING)

**756U** 211 (CYL. BED, TOP + BOTTOM COVER)  
311 (2N, BOTTOM HEMMING)  
311 (3N, BOTTOM HEMMING)

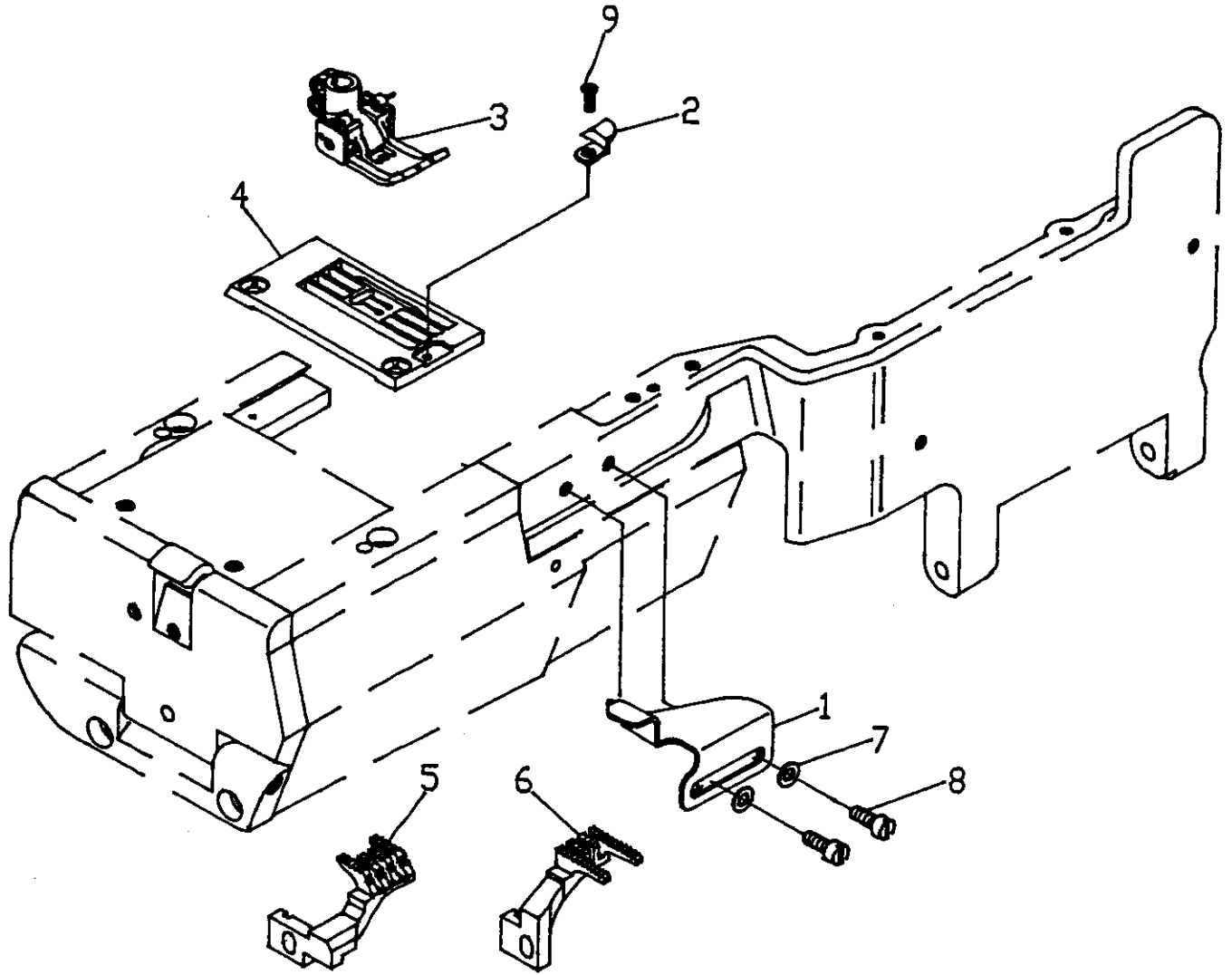
WHICH DIFFER FROM 755U200 MACHINE

300

756U200

300

OPEN HEMMING



Open Hemming

<u>Ref. No.</u>	<u>Part No.</u>	<u>Description</u>	<u>Q'ty</u>
1	VC110101B700	Fabric Guide (right) -----	1
2	VC110101E200	Fabric Guide (left) -----	1
3	-----	Presser Foot (See List Below) -----	1
4	-----	Needle Plate (See List Below) -----	1
5	-----	Differential Feed Dog (See List Below) -----	1
6	-----	Main Feed Dog (See List Below) -----	1
7	VC110107PW	Washer -----	2
8	VMB04280807K	Screw -----	2
9	VSD24560305A	Screw -----	1

For 755U311, 756U211 and 756U311

Ref. No.	Description	Needle Gauge			
		4.0 mm	4.8 mm	5.6 mm	6.4 mm
3	Presser Foot	VPFC00400	VPFC00480	VPFC00561	VPFC00641
4	Needle Plate	VTPC11403	VTPC11483	VTPC11563	VTPC11643
5	Differential Feed Dog	VDFC00560	VDFC00560	VDFC00560	VDFC00640
6	Main Feed Dog	VFDC00560	VFDC00560	VFDC00560	VFDC00640

For 755U211 only

Ref. No.	Description	Needle Gauge			
		4.0 mm	4.8 mm	5.6 mm	6.4 mm
3	Presser Foot	VPFC11400	VPFC11480	VPFC11560	
4	Needle Plate	VTPC11400	VTPC11480	VTPC11560	
5	Differential Feed Dog	VDFC11560	VDFC11560	VDFC11560	
6	Main Feed Dog	VFDC11560	VFDC11560	VFDC11560	

# ILLUSTRATED PARTS LIST

## SINGER®

### MACHINE

755U 211 (CYL. BED, BOTTOM COVER)  
          (2N, BOTTOM HEMMING)  
          311 (3N, BOTTOM HEMMING)

756U 211 (CYL. BED, TOP + BOTTOM COVER)  
          (2N, BOTTOM HEMMING)  
          311 (3N, BOTTOM HEMMING)

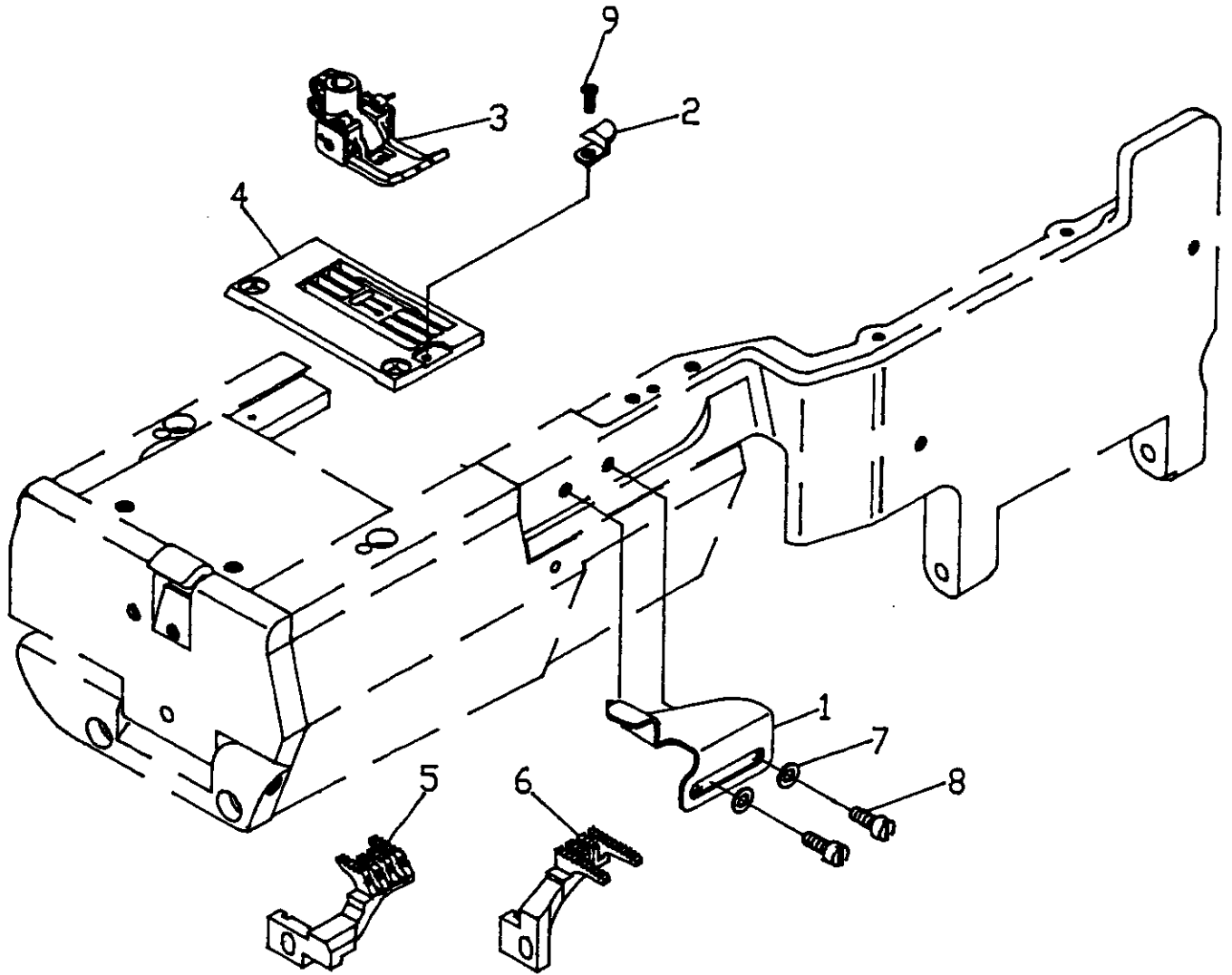
WHICH DIFFER FROM 755U200 MACHINE

300

756U200

300

OPEN HEMMING



Open Hemming

<u>Ref. No.</u>	<u>Part No.</u>	<u>Description</u>	<u>Q' ty</u>
1	VC110101B700	Fabric Guide (right) -----	1
2	VC110101E200	Fabric Guide (left) -----	1
3	-----	Presser Foot (See List Below) -----	1
4	-----	Needle Plate (See List Below) -----	1
5	-----	Differential Feed Dog (See List Below) -----	1
6	-----	Main Feed Dog (See List Below) -----	1
7	VC110107PW	Washer -----	2
8	VMB04280807K	Screw -----	2
9	VSD24560305A	Screw -----	1

For 755U311, 756U211 and 756U311

Ref. No.	Description	Needle Gauge			
		4.0 mm	4.8 mm	5.6 mm	6.4 mm
3	Presser Foot	VPFC00400	VPFC00480	VPFC00561	VPFC00641
4	Needle Plate	VTPC11403	VTPC11483	VTPC11563	VTPC11643
5	Differential Feed Dog	VDFC00560	VDFC00560	VDFC00560	VDFC00640
6	Main Feed Dog	VFDC00560	VFDC00560	VFDC00560	VFDC00640

For 755U211 only

Ref. No.	Description	Needle Gauge			
		4.0 mm	4.8 mm	5.6 mm	6.4 mm
3	Presser Foot	VPFC11400	VPFC11480	VPFC11560	
4	Needle Plate	VTPC11400	VTPC11480	VTPC11560	
5	Differential Feed Dog	VDFC11560	VDFC11560	VDFC11560	
6	Main Feed Dog	VFDC11560	VFDC11560	VFDC11560	