

SINGER
510W1

LIST OF PARTS

INDEX



MACHINE No. 510w1

THE SINGER MANUFACTURING COMPANY

	PAGE
ACCESSORIES	11
KNEE LIFTER	11
KNIFE GRINDER	12
MACHINE No. 510w1	7
NUMERICAL LIST OF PARTS	15
OBSOLETE PARTS	13

Instructions for Ordering

In ordering from this list, use **ONLY** the **PART** number in the **FIRST** column.

The number stamped on a Sewing Machine Part is the number of the Single Part only, except when the part includes Set Screws, Clamping Screws, Studs and Rollers Spun on, Small Wires riveted, or Parts soldered together, etc., which it is necessary to furnish in combination.

Every combination of parts sent out has its specific number which, although not stamped on Parts (except in above cases) must be used when ordering the combination.

Each number always indicates the **SAME PART** in whatever list it appears, or for whatever Machine.

The letters after some of the numbers indicate the style of finish only, as follows:

- A. Hardened, Polished and Plated.
- B. Polished and Plated.
- C. Hardened only.
- D. Polished only.
- E. Soft, not polished.
- F. Hardened and Polished.
- H. Blued.

These letters **MUST BE USED** when they appear in the list and **AFTER** the number, as in the list.

In this series

200001 to 201500 are Screw Numbers.

201501 to 201800 are Nut Numbers.

201801 to 202000 are Roller Numbers.

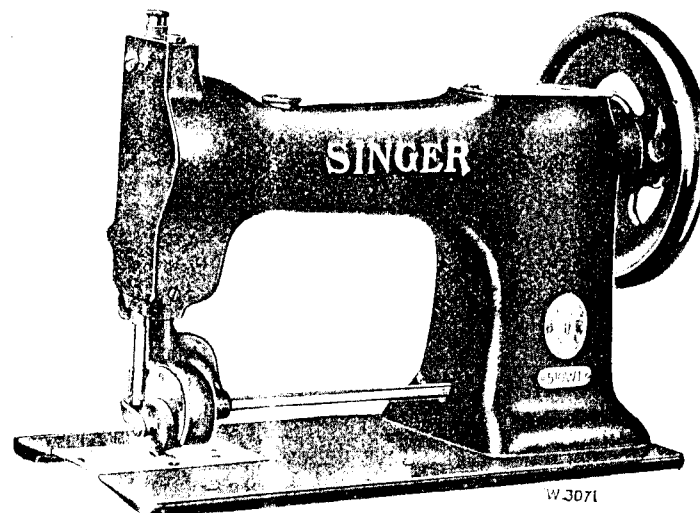
202001 and upward are numbers of Machine Parts.

The figures in the second column refer only to the plate in which the illustration of the part is shown and are **NOT TO BE USED** in ordering.

Two or more numbers over a cut indicate that the difference between such parts is not visible in an illustration.

Parts marked with an asterisk (*) are furnished only when repairs are made at the factory.

LIST OF PARTS COMPLETE FOR



MACHINE No. 510w1

For Shaping Corsets, Etc.

No.	Plate	Name
*261501	----	Arm
202217	14128	" Cap
200278n	14127	" " Screw
202248	14127	" " Washer
204235	14127	" Position Pin (2)
200019e	14127	" Screw (3)
202005	14127	" " Washer (3)
261502	14126	" Shaft
204801	14128	" " Bushing (back) with 202260
202260	----	Arm Shaft Bushing (back) Oil Packing (wick)
200338c	14127	Arm Shaft Bushing (back) Set Screw
202245	14128	Arm Shaft Bushing (front) with 202036 and 202260
202260	----	Arm Shaft Bushing (front) Oil Packing (wick)
200502b	14127	Arm Shaft Bushing (front) Oil Packing Thumb Screw

No.	Plate	Name
202036	14127	Arm Shaft Bushing (front) Position Pin
200338c	14127	Arm Shaft Bushing (front) Set Screw
204246	14127	Arm Shaft Collar with two 200383c
203172	14127	“ “ “ Friction Washer.
200383c	14127	“ “ “ Set Screw
261523	14128	“ “ Connection Chain
261521	14128	“ “ “ “ Sprocket, 13 teeth, with two 201254c ..
201254c	14127	Arm Shaft Connection Chain Sprocket Set Screw
215672	14126	Balance Wheel, 7 in. diam. (belt groove 4 $\frac{1}{2}$ in. diam.), with 200335c and 200338c
200338c	14127	Balance Wheel Position Screw ...
200335c	14127	“ “ Set Screw
*261505	---	Bed with 202872
202258	14128	“ Hinge Connection (2)
200570e	14127	“ “ “ Screw (4)
206879	14128	“ Plate (back)
200577H	14127	“ “ “ Screw
210616	14128	“ Slide (front)
202274	14126	Face Plate
202135	14127	“ “ Position Pin
200462H	14127	“ “ Thumb Screw
261506	14131	Feed Wheel with two 200364c
200364c	14127	“ “ Set Screw
261507	14126	“ “ Shaft
202321	14127	“ “ “ Bushing (back)..
202322	14127	“ “ “ “ (front) ...
200346c	14127	“ “ “ “ Set Screw (2)
261508	14127	Feed Wheel Shaft Collar with two 201052c
201052c	14127	Feed Wheel Shaft Collar Set Screw
261522	14128	“ “ “ Connection Chain Sprocket, 24 teeth, with two 201254c
201254c	14127	Feed Wheel Shaft Connection Chain Sprocket Set Screw
202260	---	Feed Wheel Shaft Oil Packing (wick) (2)
202445	10936	Knee Lifter Connection Lever with 202446
202786	---	Knee Lifter Connection Lever 202445 with 200224H, 200262H, 202447 and 202449
200224H	14127	Knee Lifter Connection Lever Hinge Screw

No.	Plate	Name
202447	10936	Knee Lifter Connection Lever Lifting Rod with 202302
202302	14127	Knee Lifter Connection Lever Lifting Rod Cotter Pin
202446	14127	Knee Lifter Connection Lever Pin
202449	10936	“ “ Lifting Lever
200262H	14127	“ “ “ “ Hinge Screw
261510	14131	Knife (circular) (2)
261511	14131	“ Flange with two 200364c
200364c	14127	“ “ Set Screw
200582H	14127	“ Screw (8)
261512	14126	“ Shaft
129c	14127	“ “ Adjusting Screw
1512c	14127	“ “ “ “ Nut
261513	14131	“ “ Bracket
200352c	14127	“ “ “ Set Screw
261524	14131	“ “ Bushing
224392	---	“ “ “ Oil Packing (wick)
200083b	14127	“ “ “ Screw
261530	14131	“ “ Driving Gear, 55 teeth, with two 200364c
200364c	14127	Knife Shaft Driving Gear Set Screw
261531	14131	“ “ Gear, 30 teeth, with two 200364c
200364c	14127	Knife Shaft Gear Set Screw
201905	14130	Roller Presser, 1 $\frac{1}{2}$ in. diam., $\frac{1}{4}$ in. face (fine), with 200548c and 201534H
261517	14130	Roller Presser Arm
261518	---	“ “ “ 261517 with 201905
200074F	10219	Roller Presser Arm Screw
261525	14126	“ “ “ Bar (hollow) with 200074F
207072	10219	Roller Presser Bar Bushing
200352c	14127	“ “ “ “ Set Screw
202339	10249	“ “ “ Lifter
200653c	10249	“ “ “ “ Hinge Screw
202340	10249	Roller Presser Bar Lifting Bracket
200260H	10249	“ “ “ “ “ “ Guide Screw
202342	10249	Roller Presser Bar Lifting Bracket Spring
202337	10249	Roller Presser Bar Position Guide
202338	10249	“ “ “ “ “ “ Lever with 200086F
200086F	14130	Roller Presser Bar Position Guide Lever Pinch Screw

No.	Plate	Name
200352c	14127	Roller Presser Bar Position Guide Set Screw
202343	14130	Roller Presser Bar Spring
202346	10249	" " " " Stop Rod
200492B	10249	" " " Thumb Screw (pressure regulating)
200475B	14130	Roller Presser Bar Thumb Screw Thumb Set Screw
202355	14130	Roller Presser Bar Thumb Screw Thumb Set Screw Packing (brass)
200548c	14130	Roller Presser Hinge Screw
201534H	14130	" " " " Nut
261519	14130	Throat Plate
202872	14130	" " Position Pin
200577H	14127	" " Screw (2)

ACCESSORIES

No.	Plate	Name
225180	---	Drip Pan with four wood screws $\frac{1}{2}$ in., No. 5
36578	14131	Oiler with 36579
36579	14131	" Spout, $3\frac{1}{2}$ in. long, with 120117
120117	---	" " Washer (leather)
261520	14128	Shaft Pulley (sectional, grooved), $1\frac{1}{2}$ in. diam., $1\frac{1}{8}$ in. bore, with two 200017c
200017c	14130	Shaft Pulley Clamping Screw

KNEE LIFTER

227781	10936	Knee Lifter Rock Lever with 200522c and 200529c
227782	---	Knee Lifter Rock Lever 227781 with two each 202451 and 202452
227783	---	Knee Lifter Rock Lever 227782 with 202985 and 227784
202453	10936	Knee Lifter Rock Lever Knee Plate with 200526c
202985	---	Knee Lifter Rock Lever Knee Plate 202453 with 202455
202455	10936	Knee Lifter Rock Lever Knee Plate Arm (short)
200522c	14130	Knee Lifter Rock Lever Knee Plate Arm Set Screw
200526c	14130	Knee Lifter Rock Lever Knee Plate Set Screw
202451	10936	Knee Lifter Rock Lever Lug with two wood screws $\frac{3}{4}$ in., No. 13H
202452	14130	Knee Lifter Rock Lever Lug Hinge Pin
227784	10936	Knee Lifter Rock Lever Rod, 3 in. long, with 227785
*227785	---	Knee Lifter Rock Lever Rod Cap or Oil Guard
200529c	14130	Knee Lifter Rock Lever Rod Set Screw

(Other Knee Lifter parts are listed with parts of machine head.)

KNIFE GRINDER

No.	Plate	Name
206977	14129	Emery Wheel, 2 in. diameter
206962	14129	" " Driving Shaft
201510D	14130	" " " " Nut
204101	14129	" " " " "
		Washer
206963	14129	Emery Wheel Driving Shaft Pulley with two 200403c
200403c	14130	Emery Wheel Driving Shaft Pulley Set Screw
206969	14129	Emery Wheel Washer (paper)
206964	14129	Frame with two 54897
54897	14130	" Oil Cup
261526	14129	Knife Holder
261527	14129	" " Rotating Disc with 200397H and 200739E
200739E	14130	Knife Holder Rotating Disc Handle Screw
200397H	14130	Knife Holder Rotating Disc Set Screw
261528	14129	Knife Holder Slide Bracket with 200394c and 203060
350079D	14130	Knife Holder Slide Bracket Adjust- ing Screw
206966	14129	Knife Holder Slide Bracket Adjust- ing Screw Slide Plate
200577H	14127	Knife Holder Slide Bracket Adjust- ing Screw Slide Plate Screw ..
202028	14130	Knife Holder Slide Bracket Adjust- ing Screw Spring
200394c	14130	Knife Holder Slide Bracket Set Screw
206967	14129	Knife Holder Slide Bracket Shaft
206049	14130	" " " " Spring
203060	14130	" " " " "
		Hook
207031	14130	Knife Holder Slide Bracket Stop Collar with 200473E
200473E	14130	Knife Holder Slide Bracket Stop Collar Thumb Screw
201694D	14130	Knife Holder Thumb Nut
261529	---	Knife Grinder complete, Nos. 200577H, 201510D, 201694D, 202028, 203060, 204101, 206049, 206962 to 206964, 206966, 206967, 206977, 207031, 261526 to 261528, 350079D and two 206969

OBSOLETE PARTS

No.	Plate	Name
261514	14131	Knife Shaft Bushing
261515	14131	" " Driving Gear, 43 teeth, with two 200364c
261516	14131	Knife Shaft Gear, 42 teeth, with two 200364c

**ILLUSTRATIONS OF PARTS
FOR
MACHINE No. 510w1**

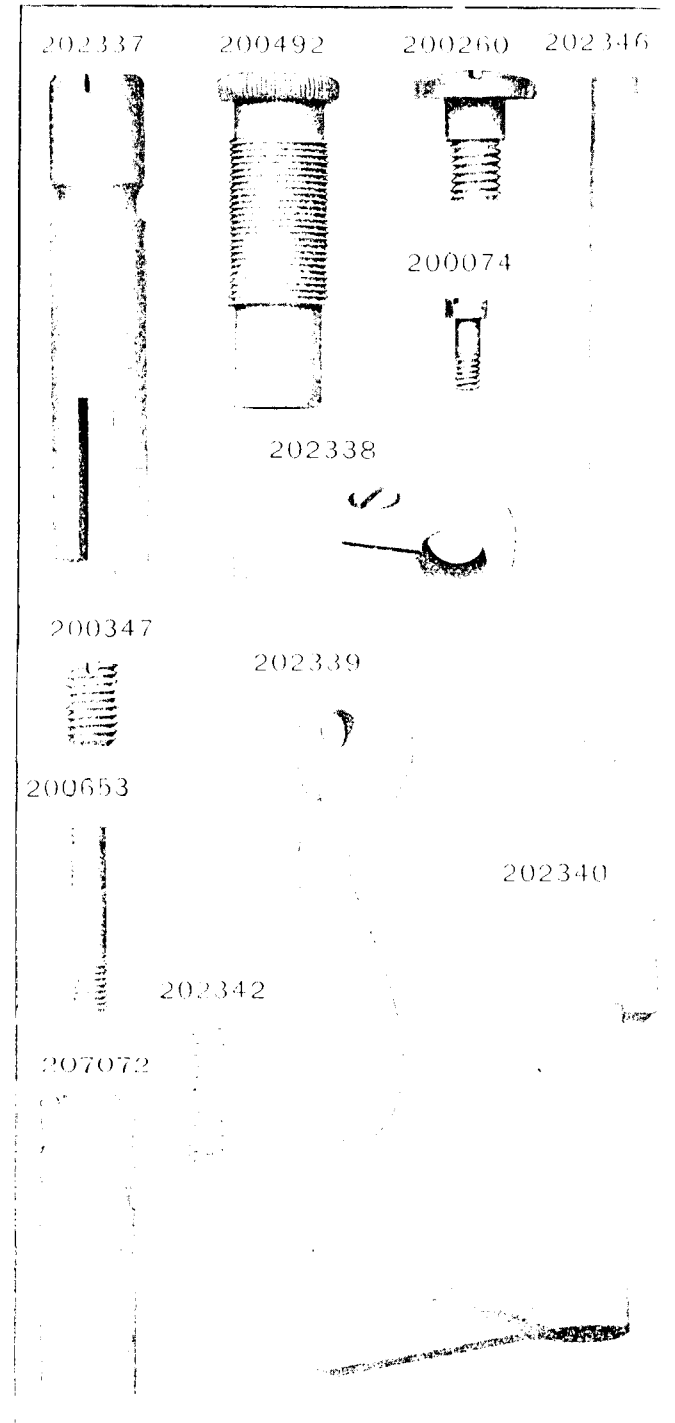


PLATE 10936 - ONE-FOURTH SIZE

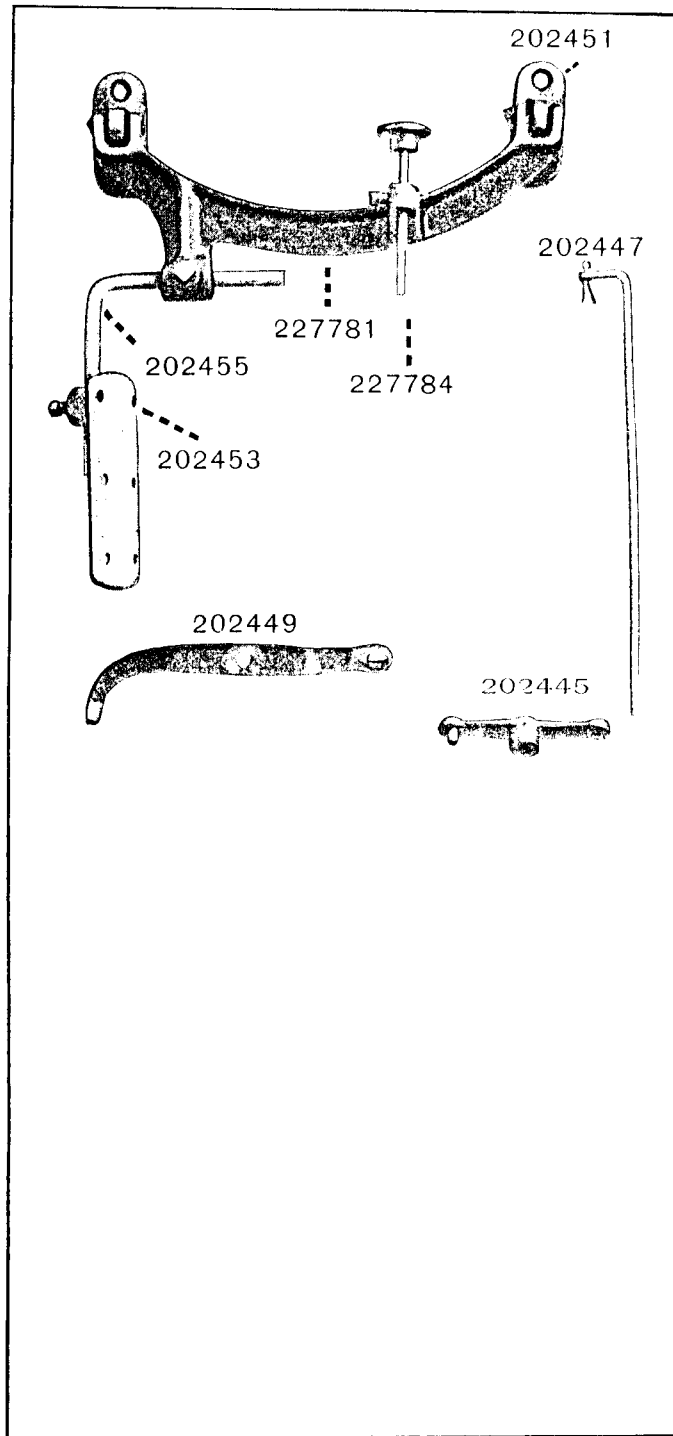
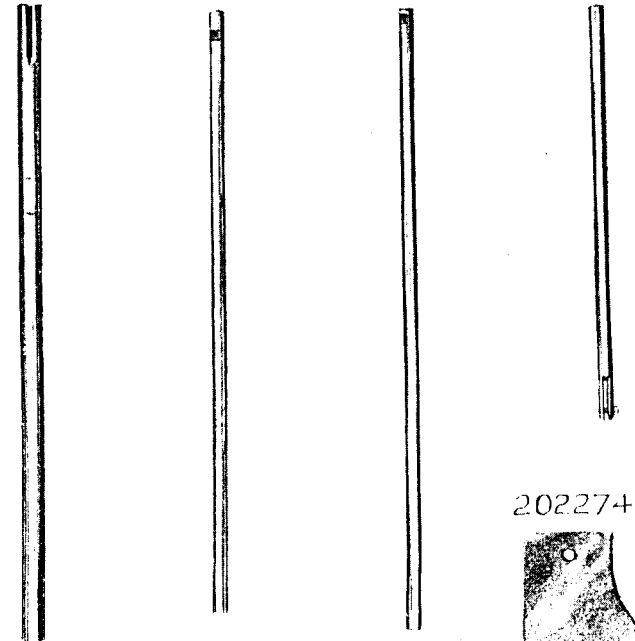


PLATE 14126 - ONE-FOURTH SIZE

261502 261512 261507 261525



202274



215672

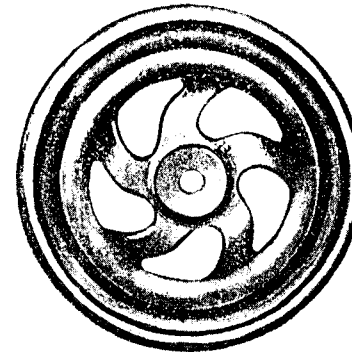


PLATE 14127—FULL SIZE

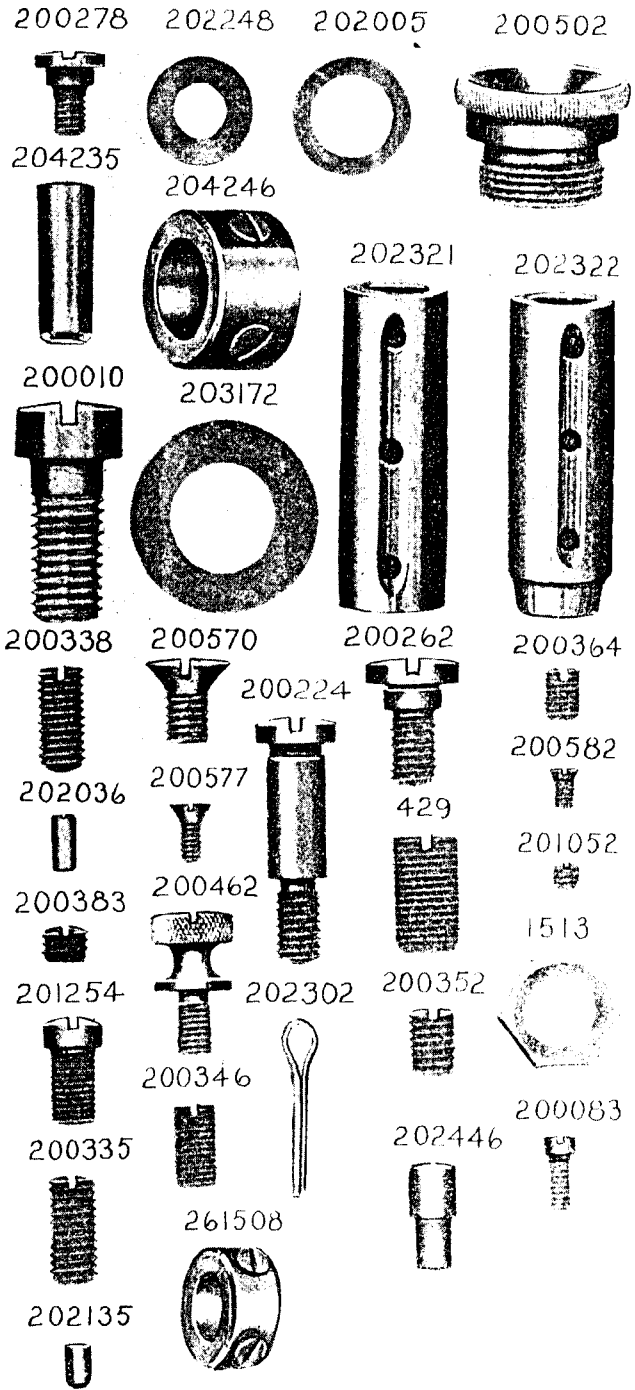


PLATE 14128—ONE-HALF SIZE

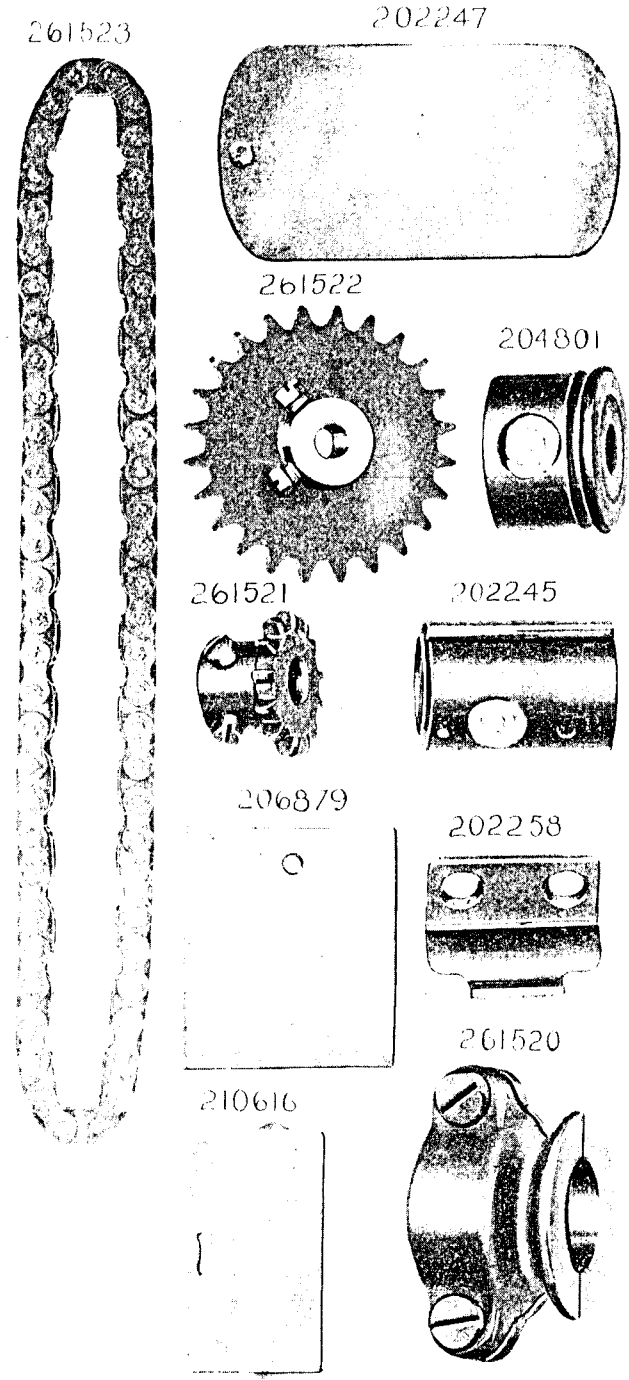


PLATE 14129—ONE-HALF SIZE

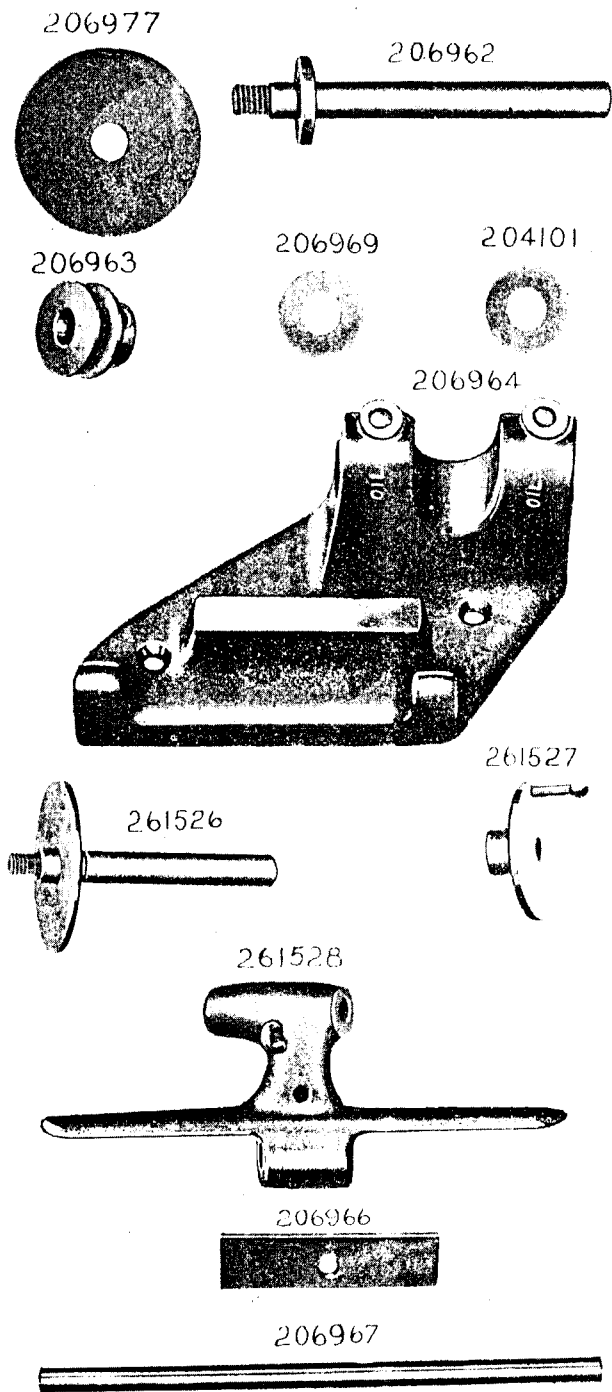


PLATE 14130—FULL SIZE

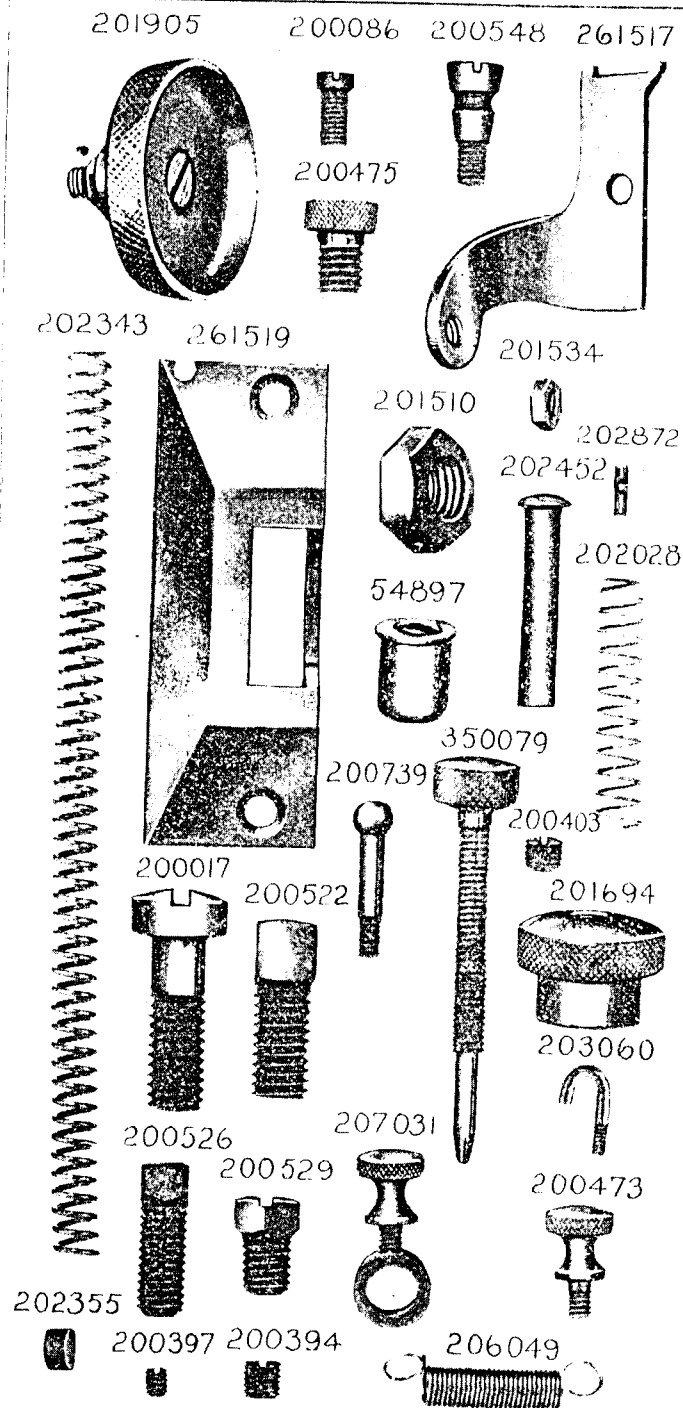


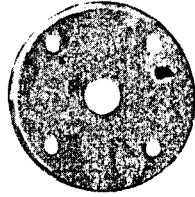
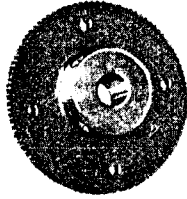
PLATE 14131—ONE-HALF SIZE

36578

261506

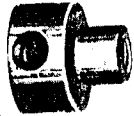
261510

36579



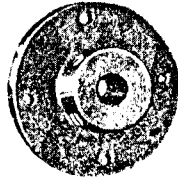
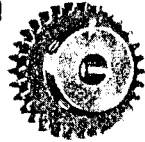
261524

261514



261531

261511

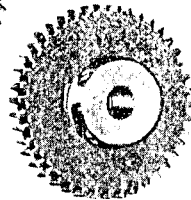
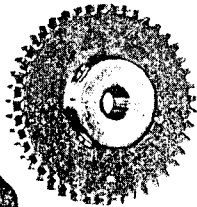


261513



261515

261516



261530

