

**SINGER**  
**47K1,K3,K5**

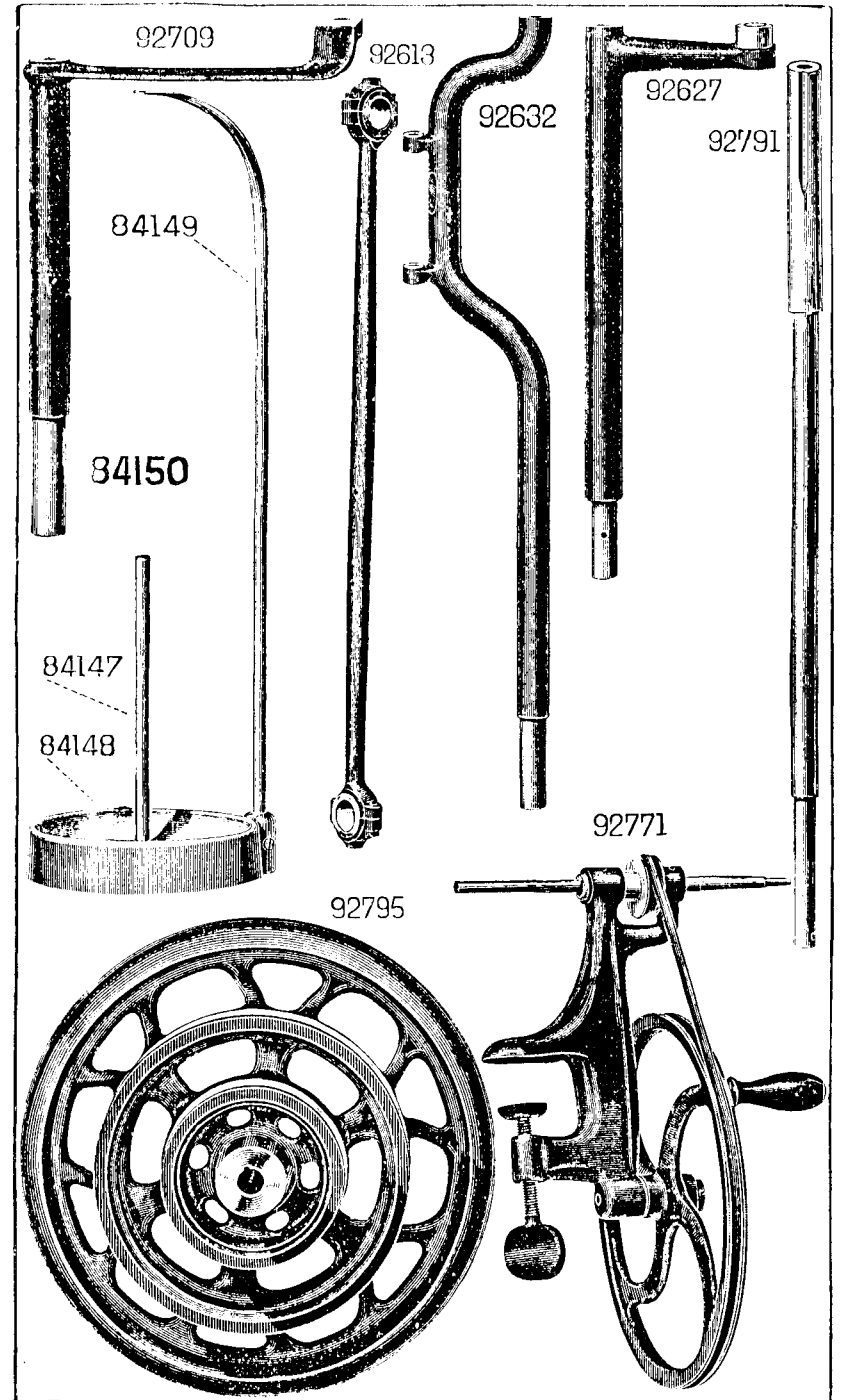
Form K5491  
Supersedes K1689  
(1038)  
Printed in Great Britain

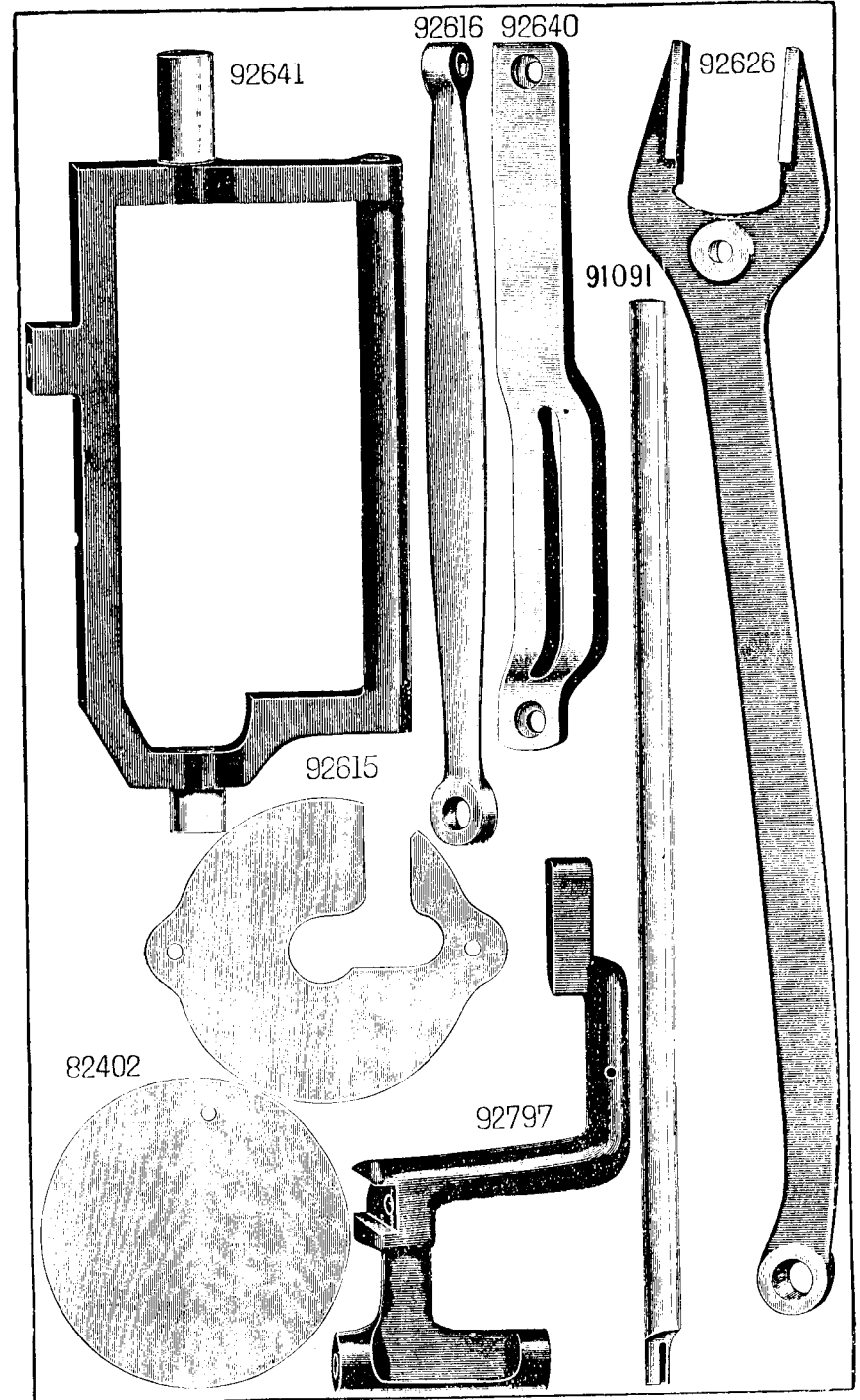
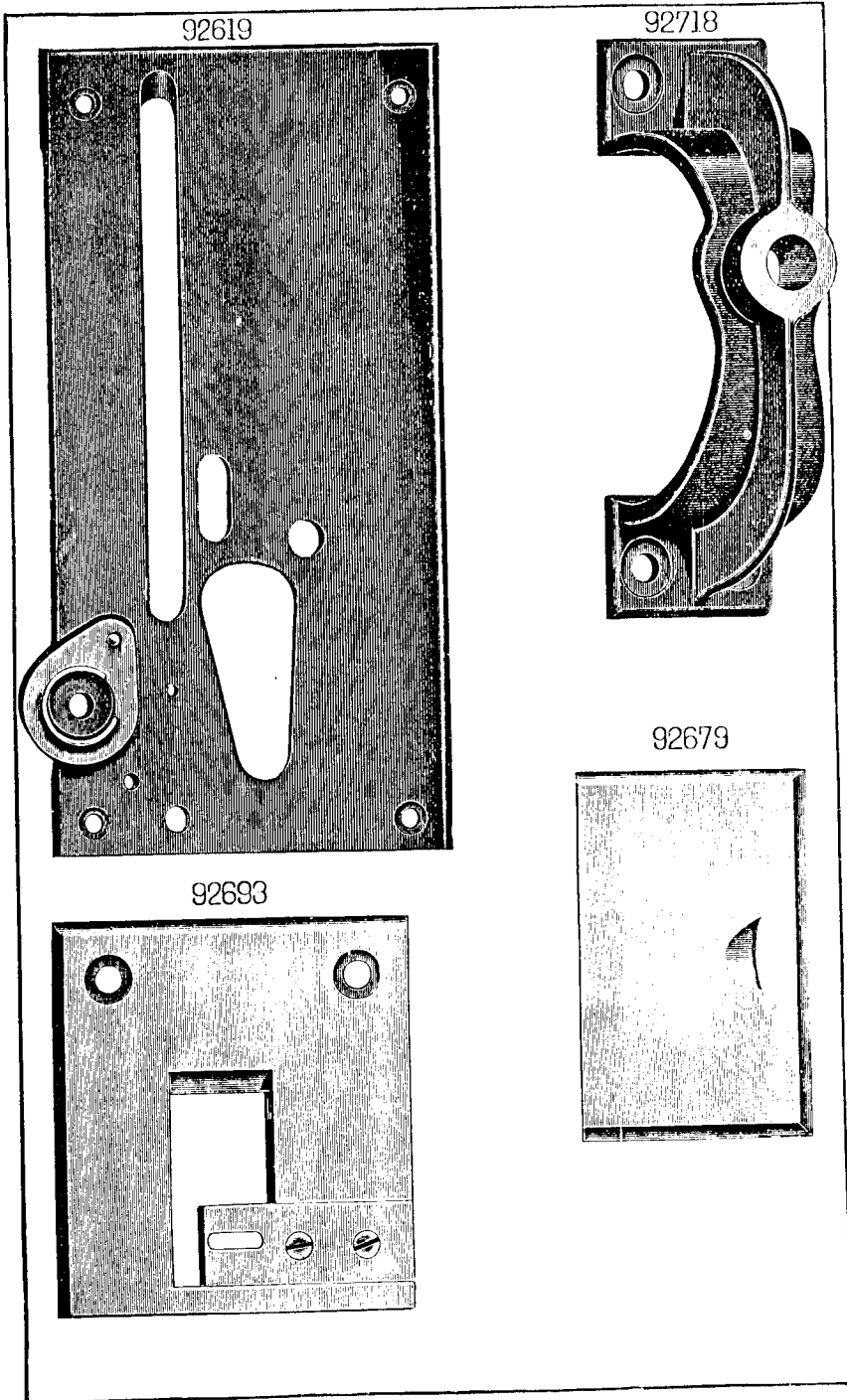
ILLUSTRATED  
LIST OF PARTS  
FOR  
CLASS 47K MACHINES  
(Nos. 47K1, 47K3 and 47K5)

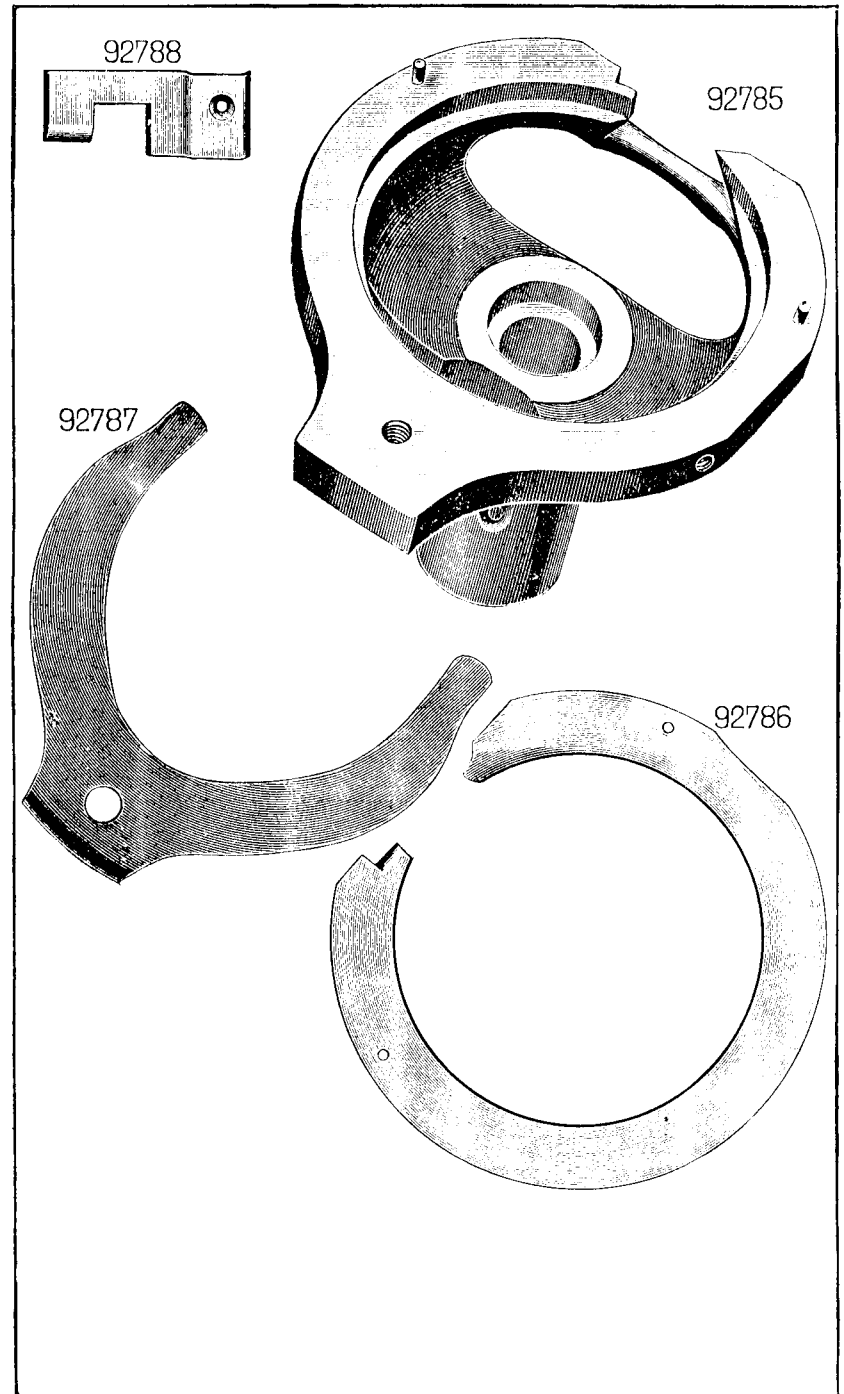
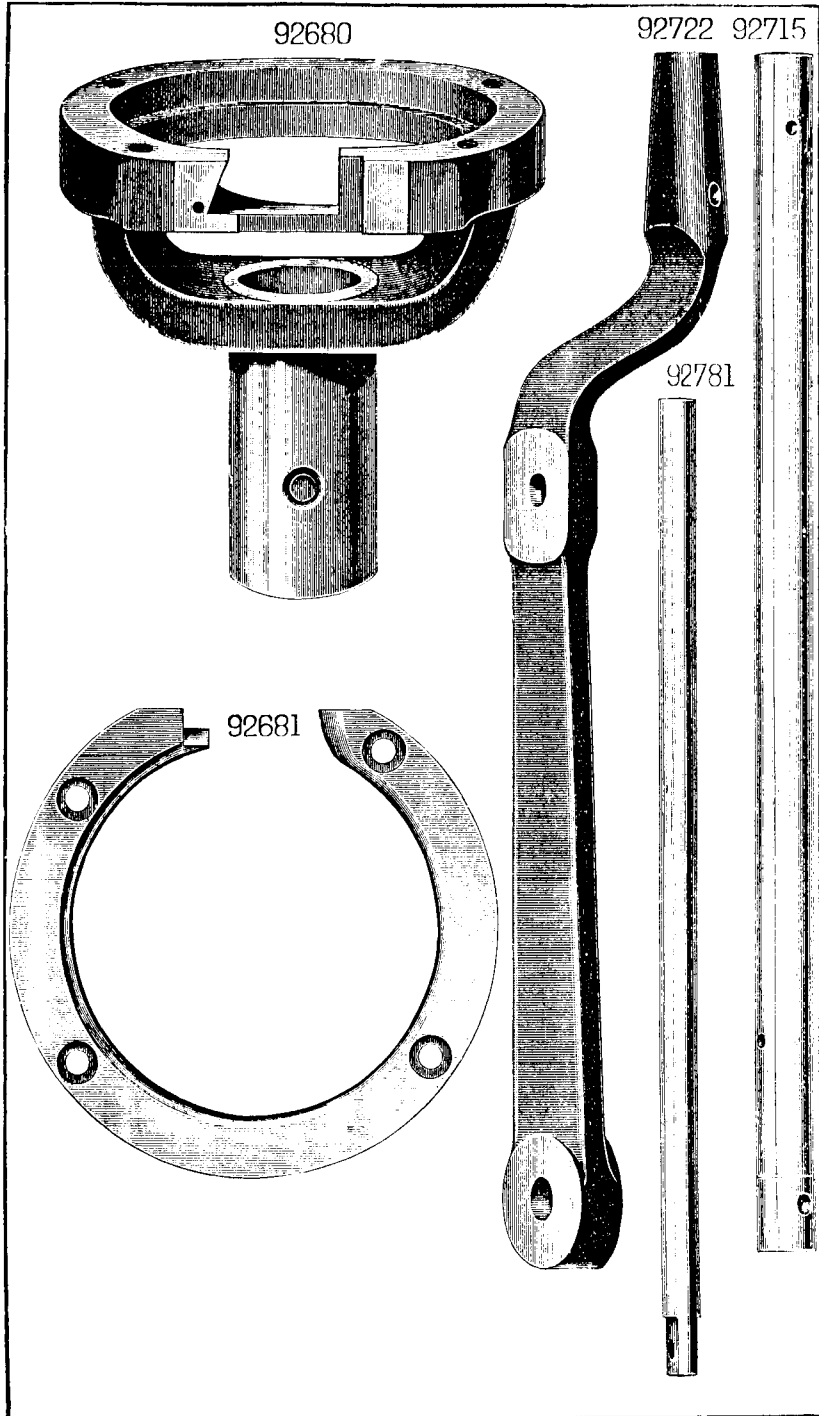


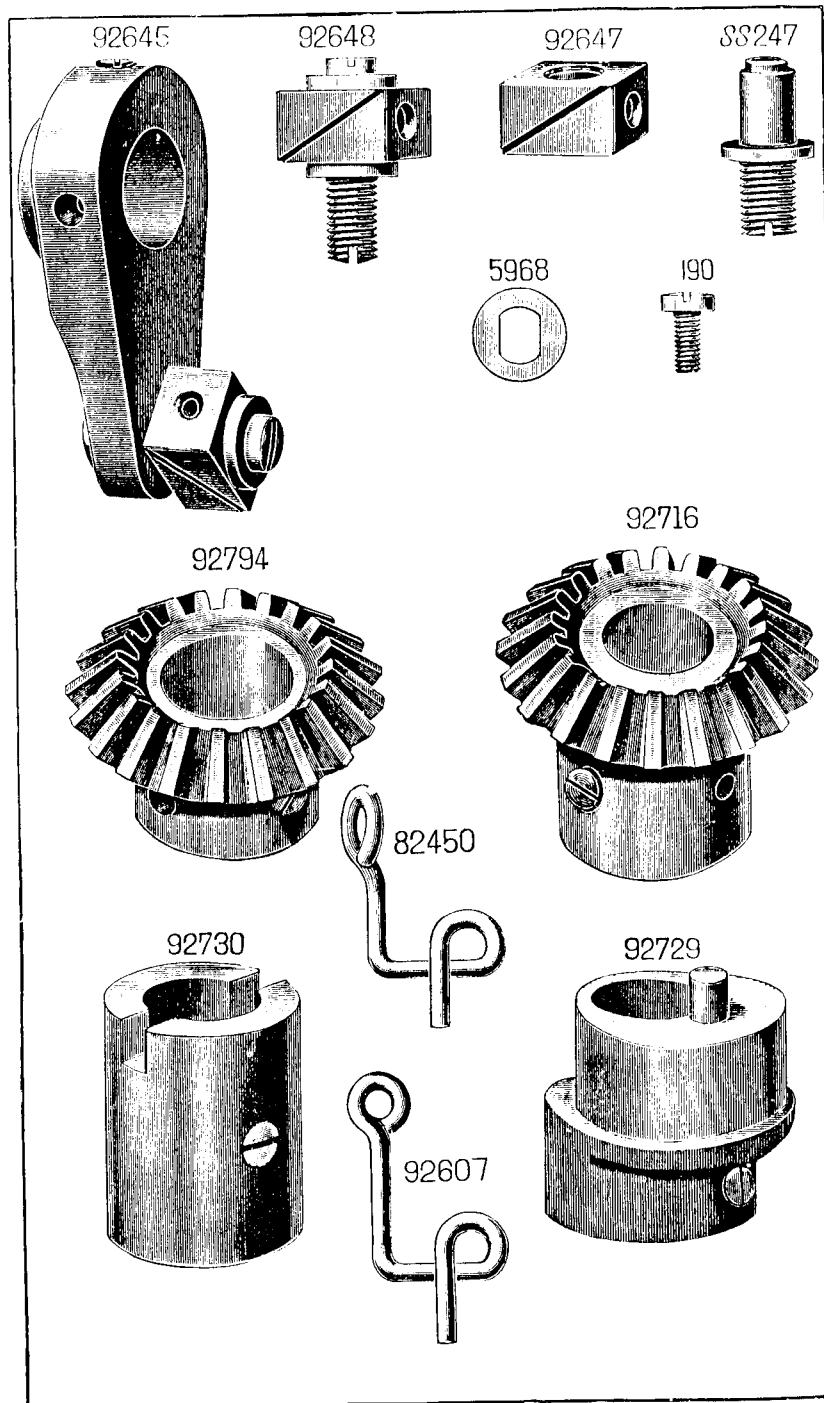
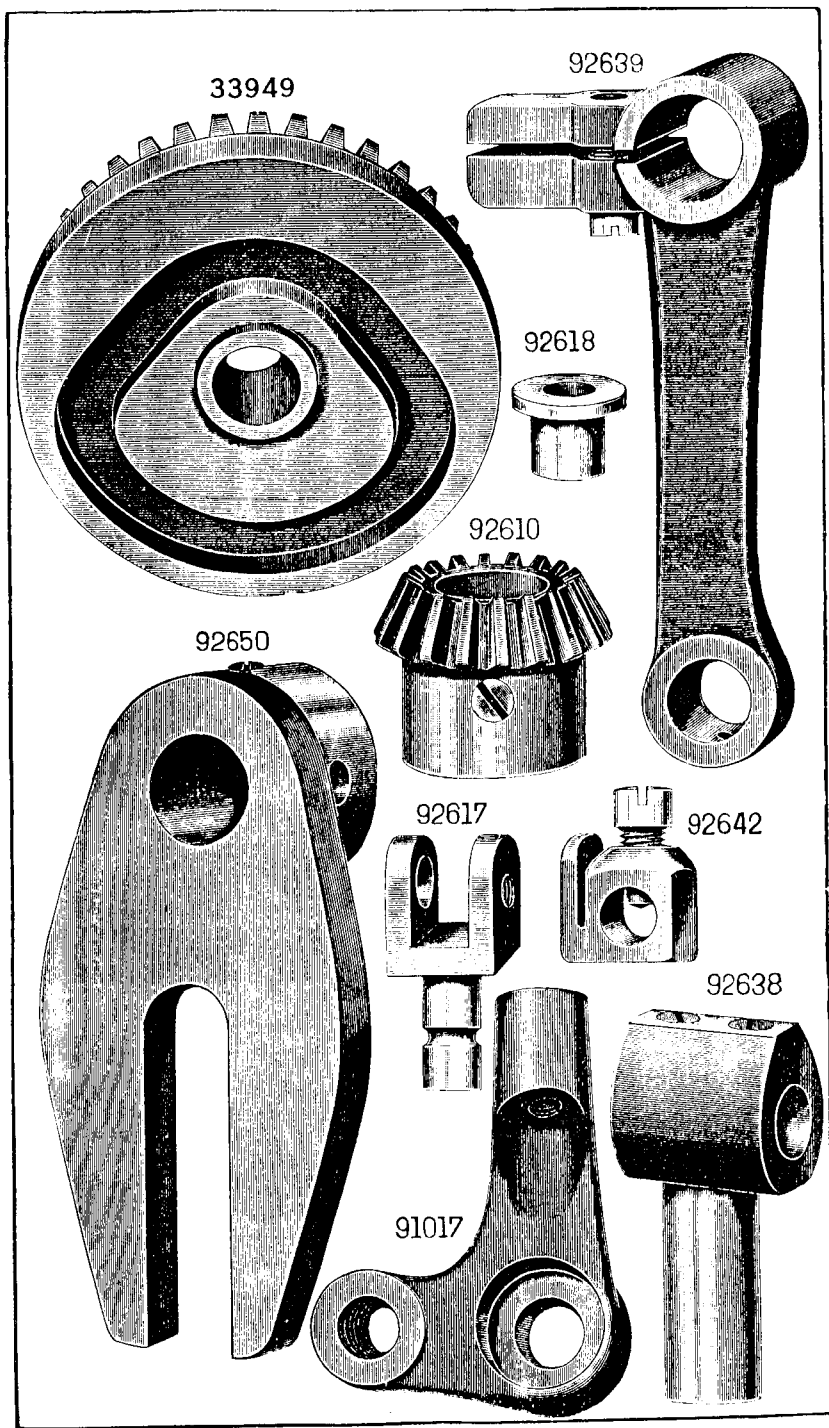
THE SINGER MANUFACTURING COMPANY

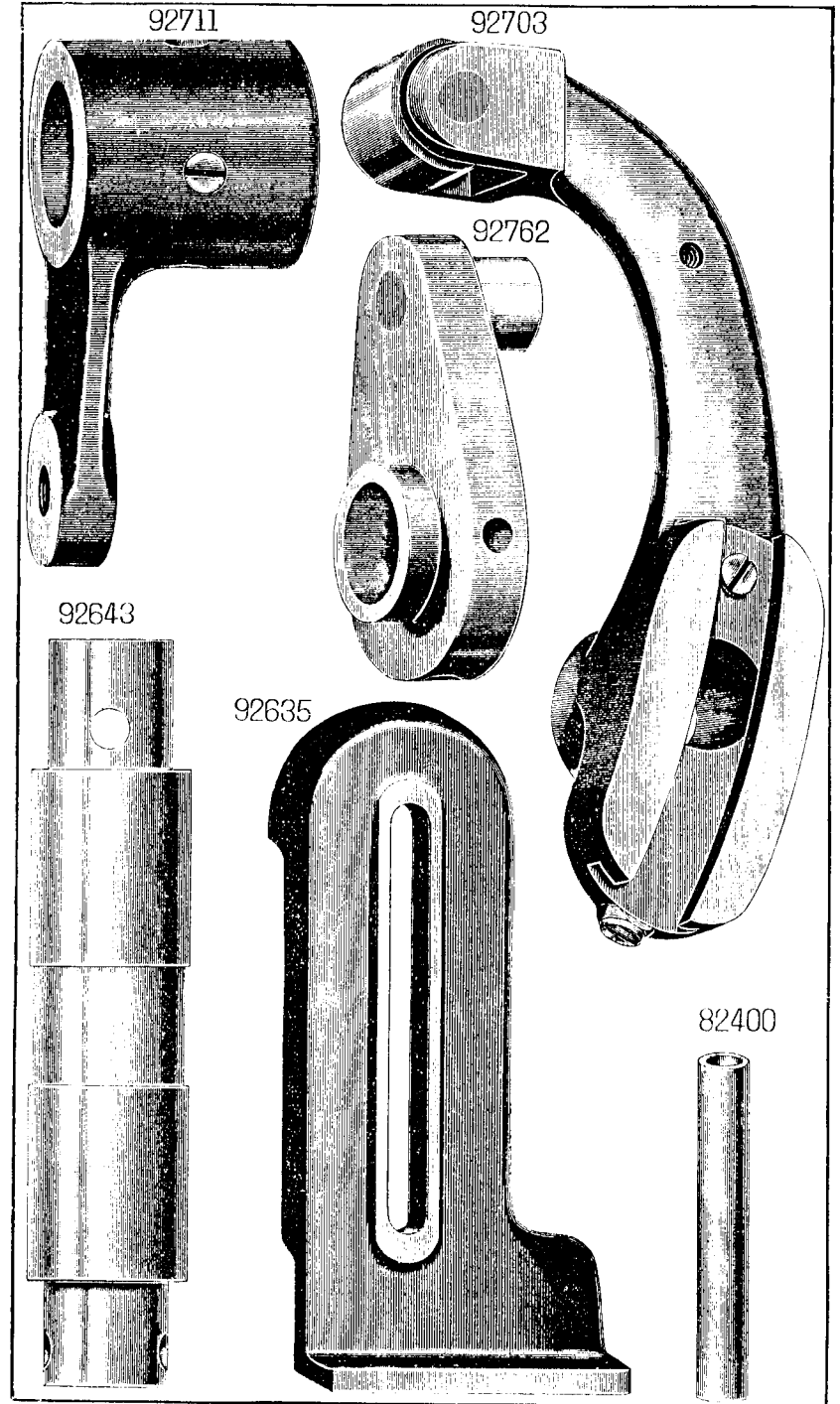
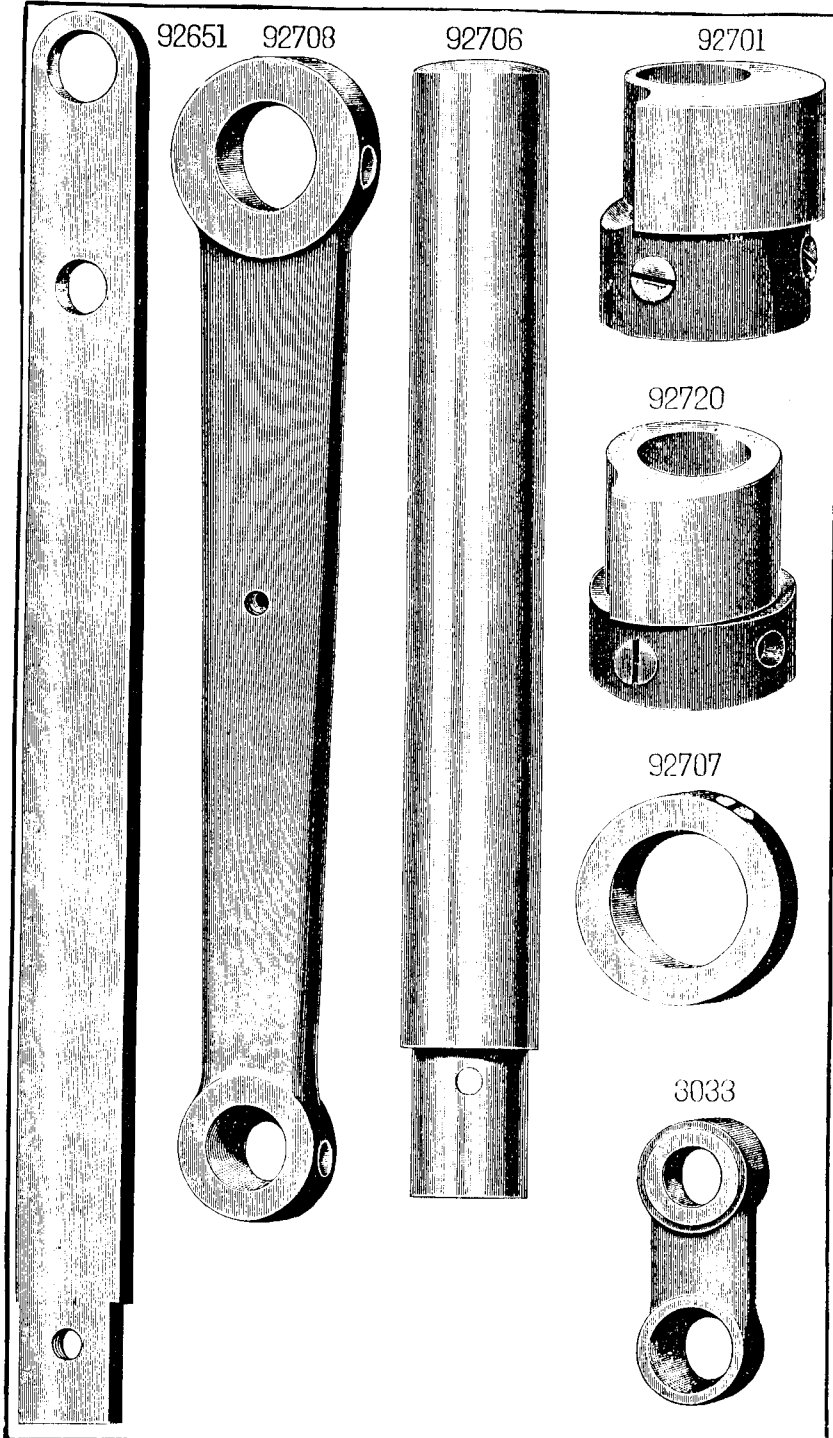
*All Rights Reserved*

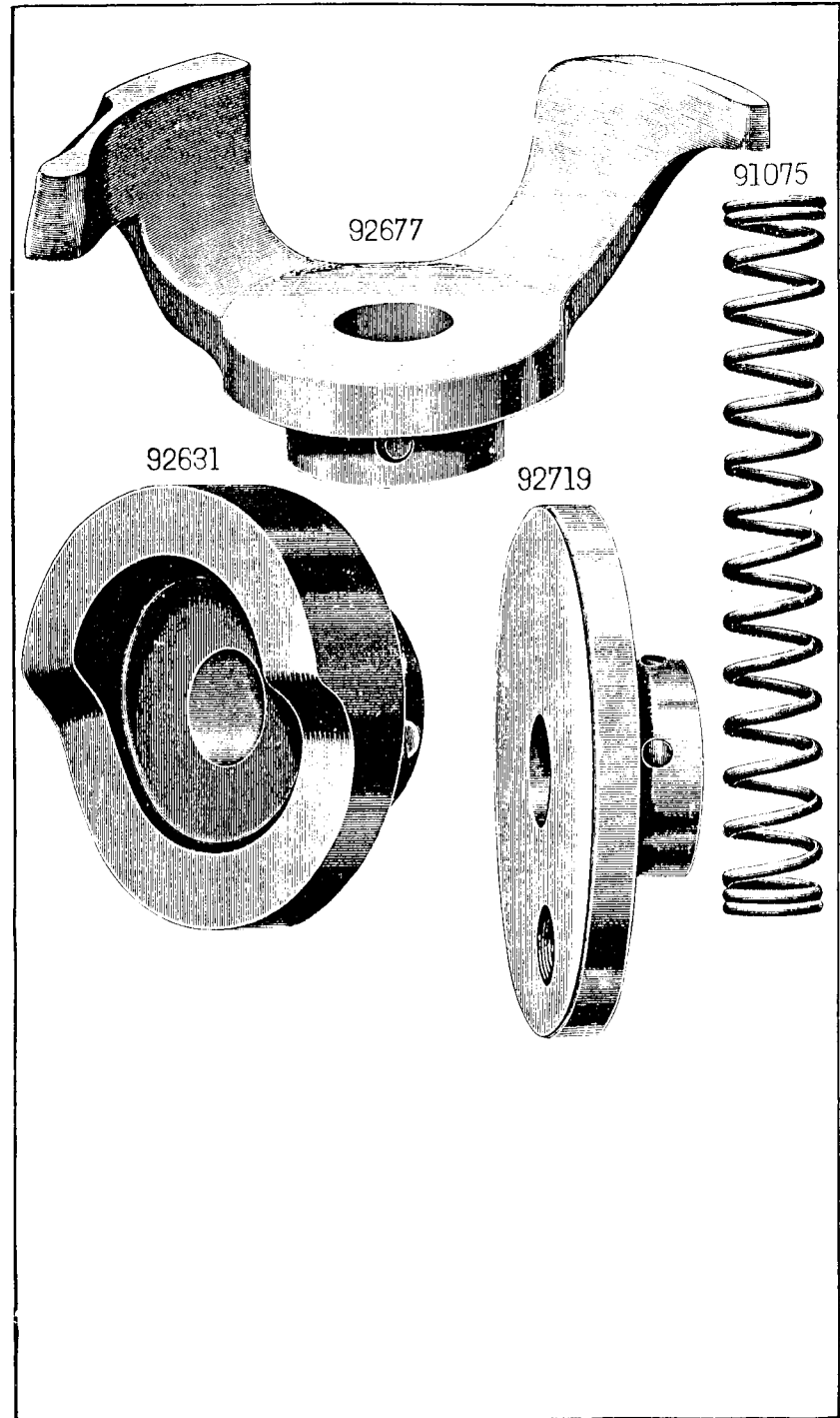
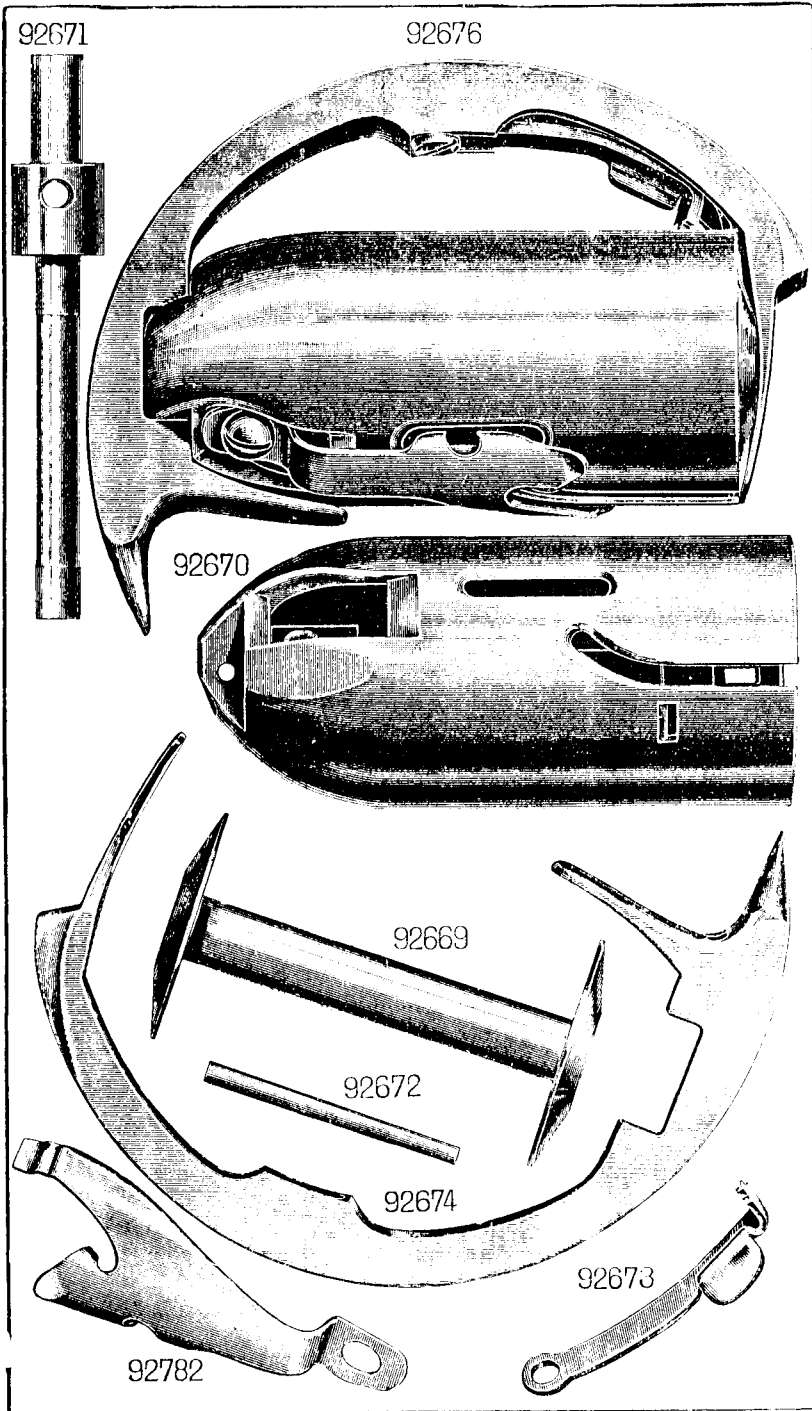




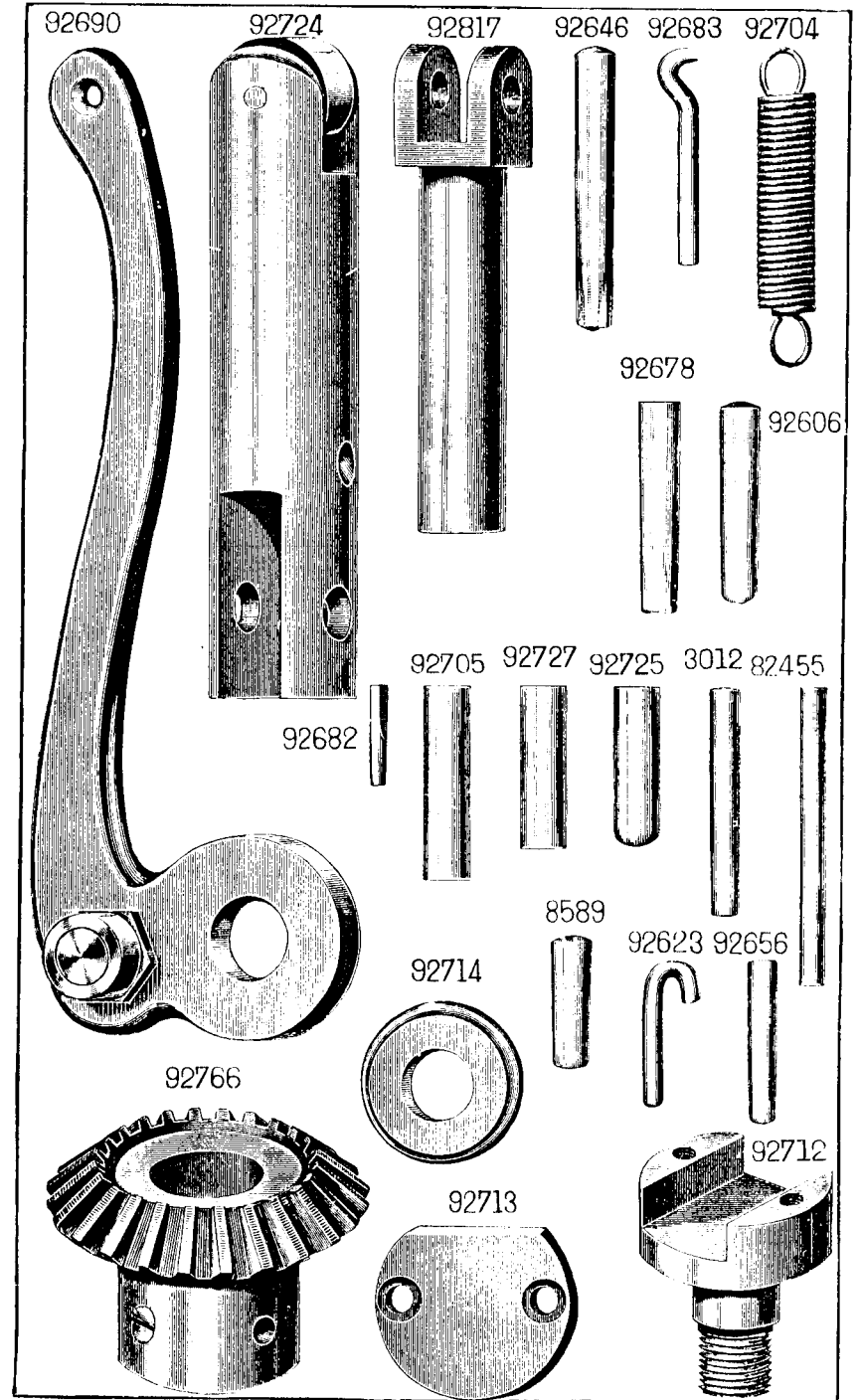
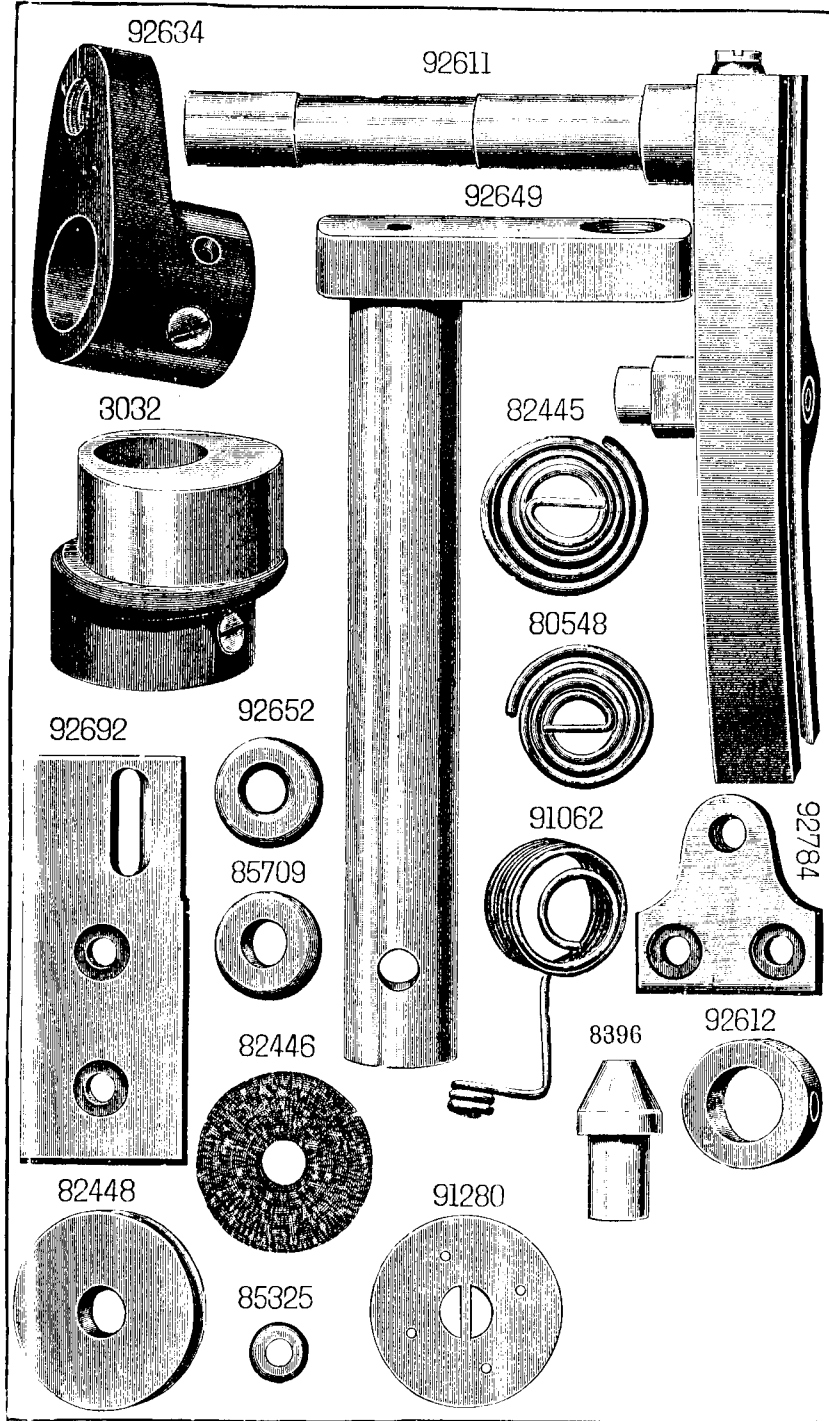


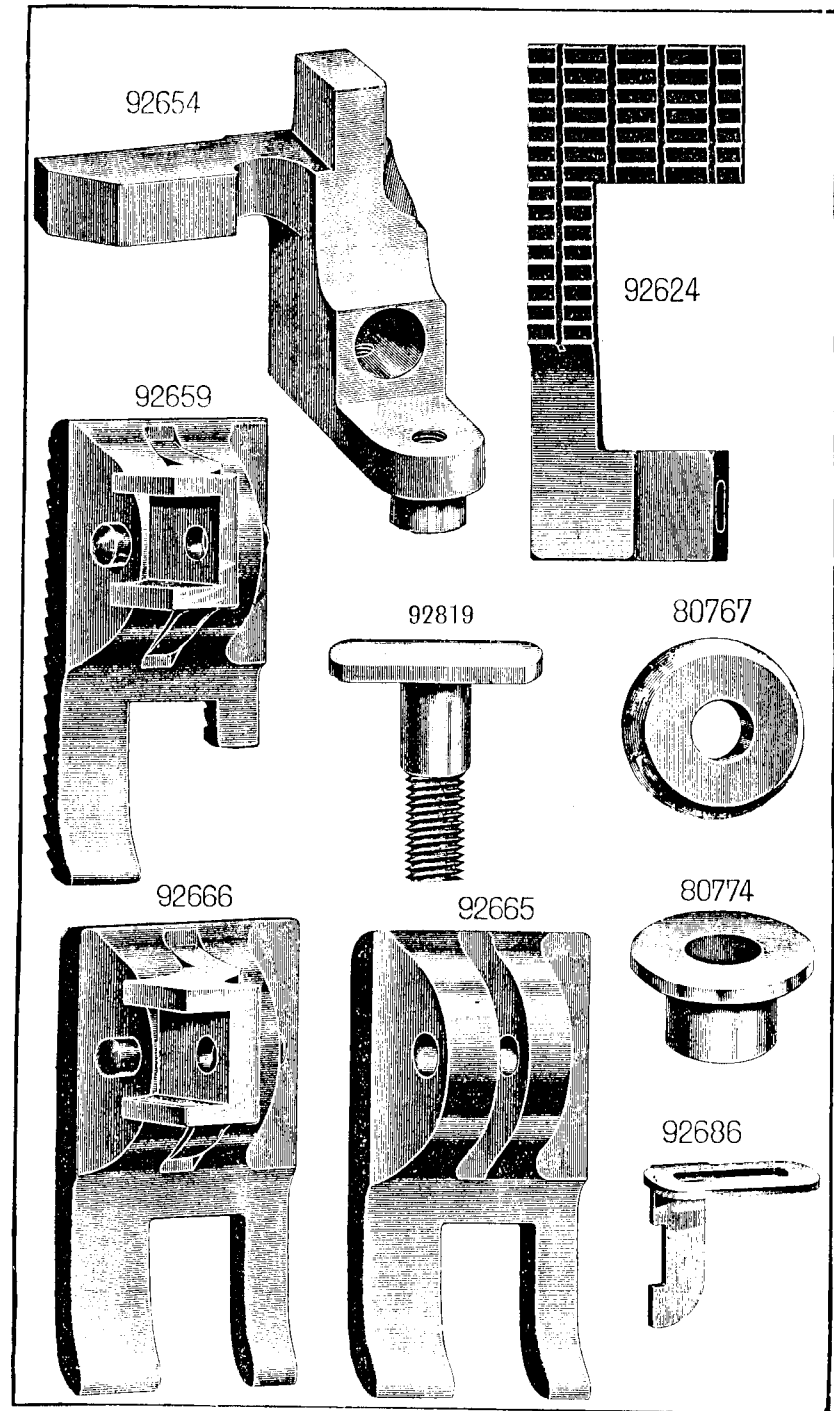
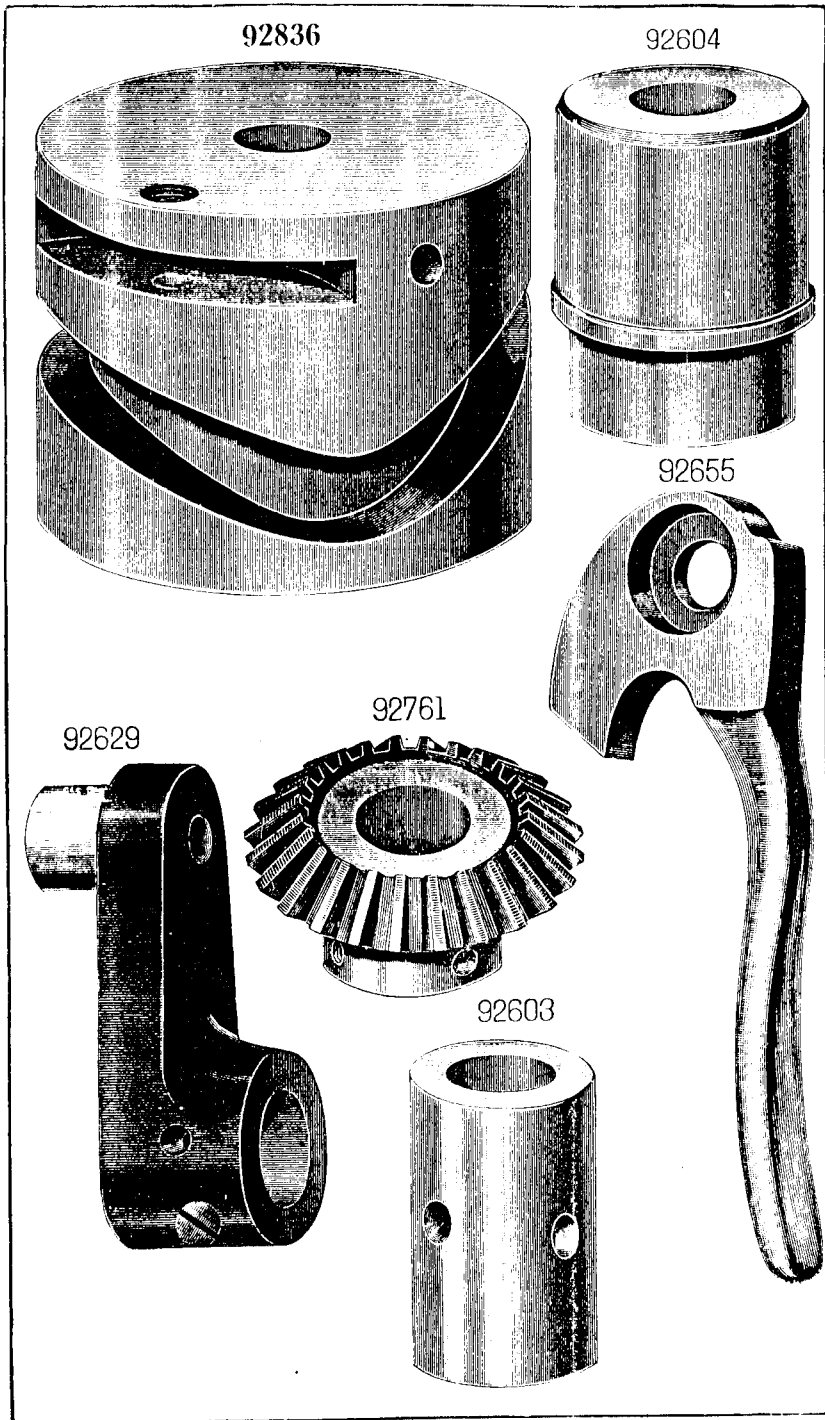


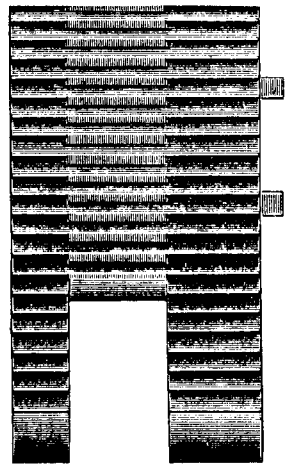




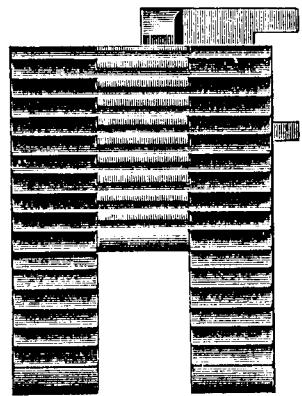
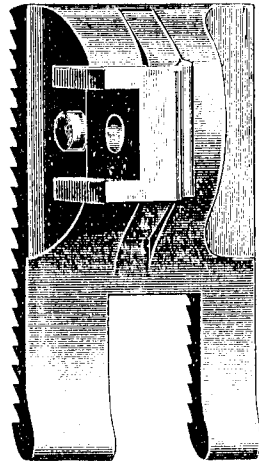




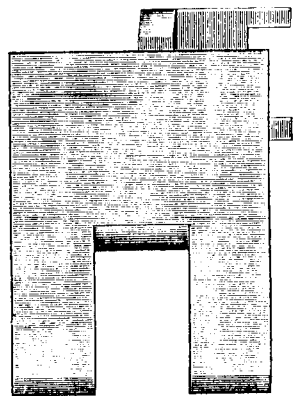
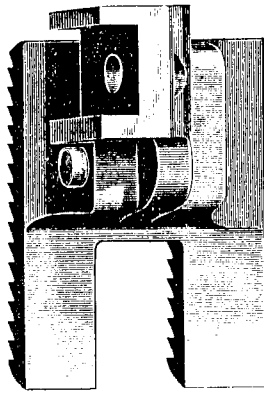




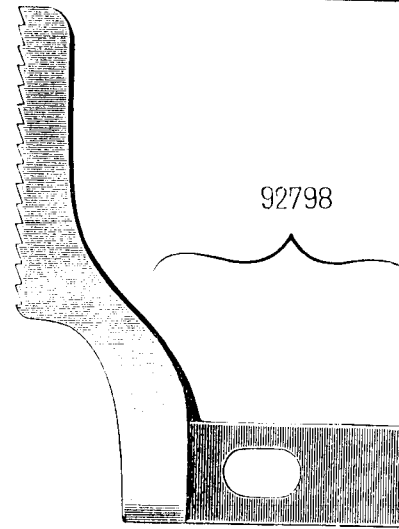
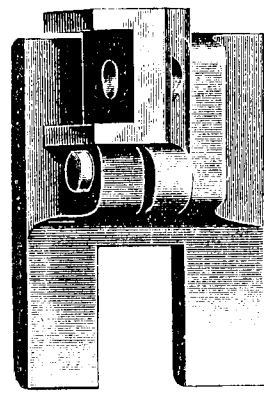
92661



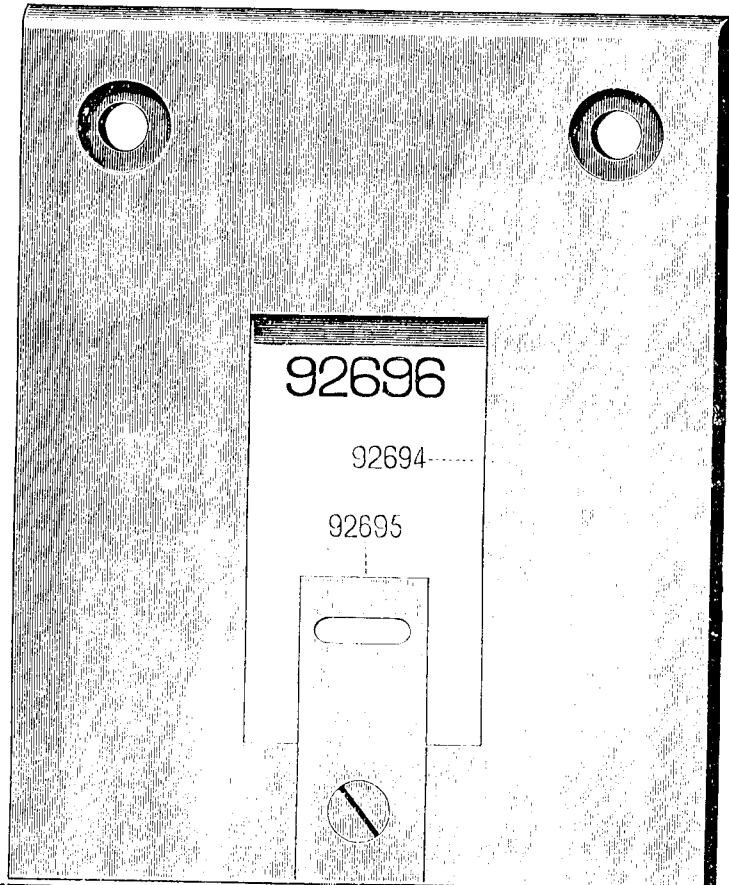
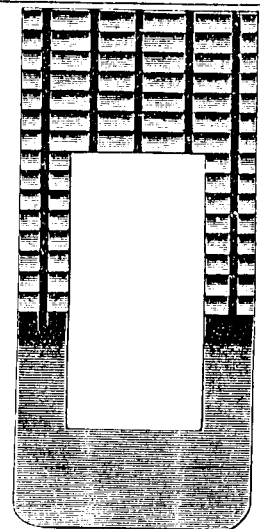
92664



92668



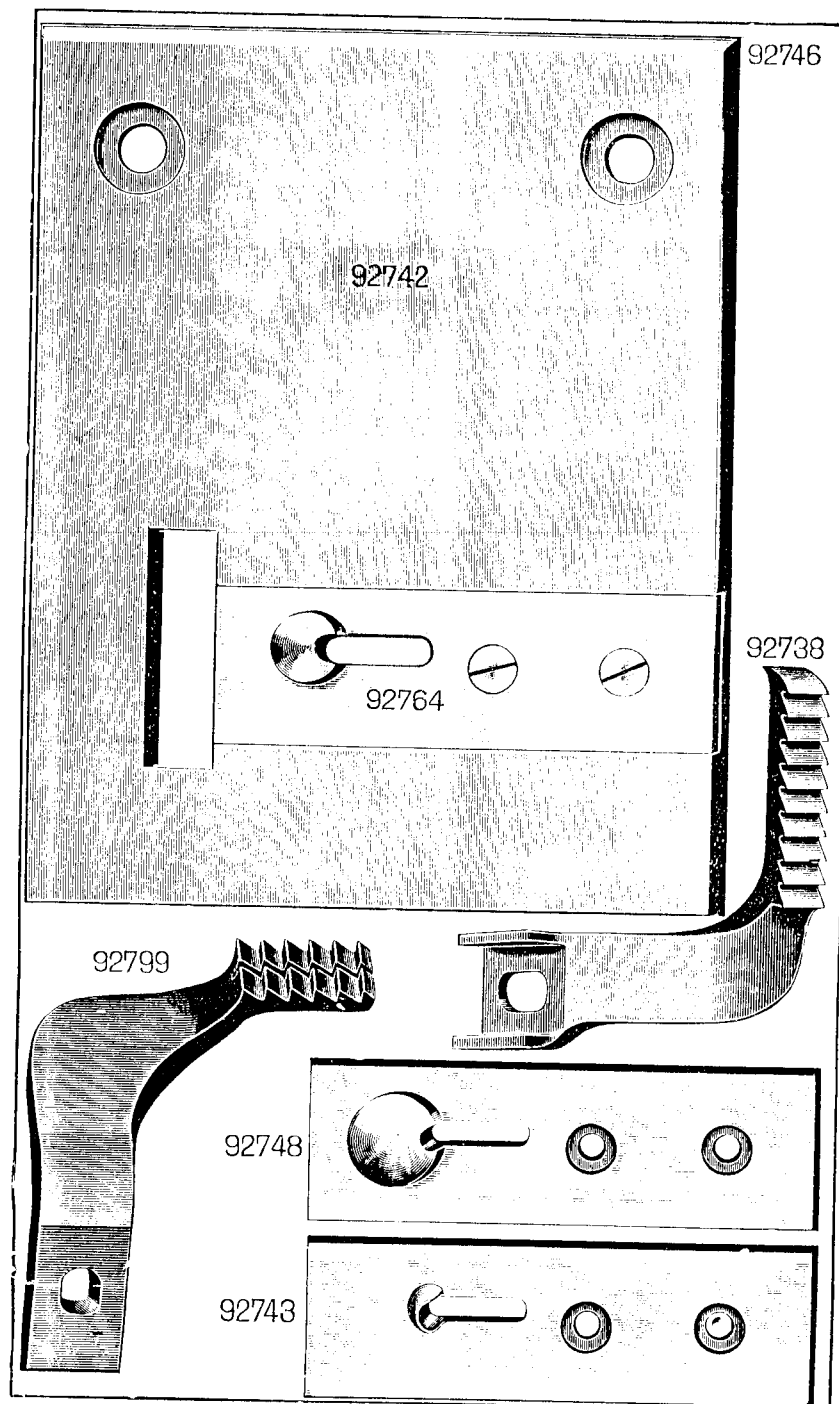
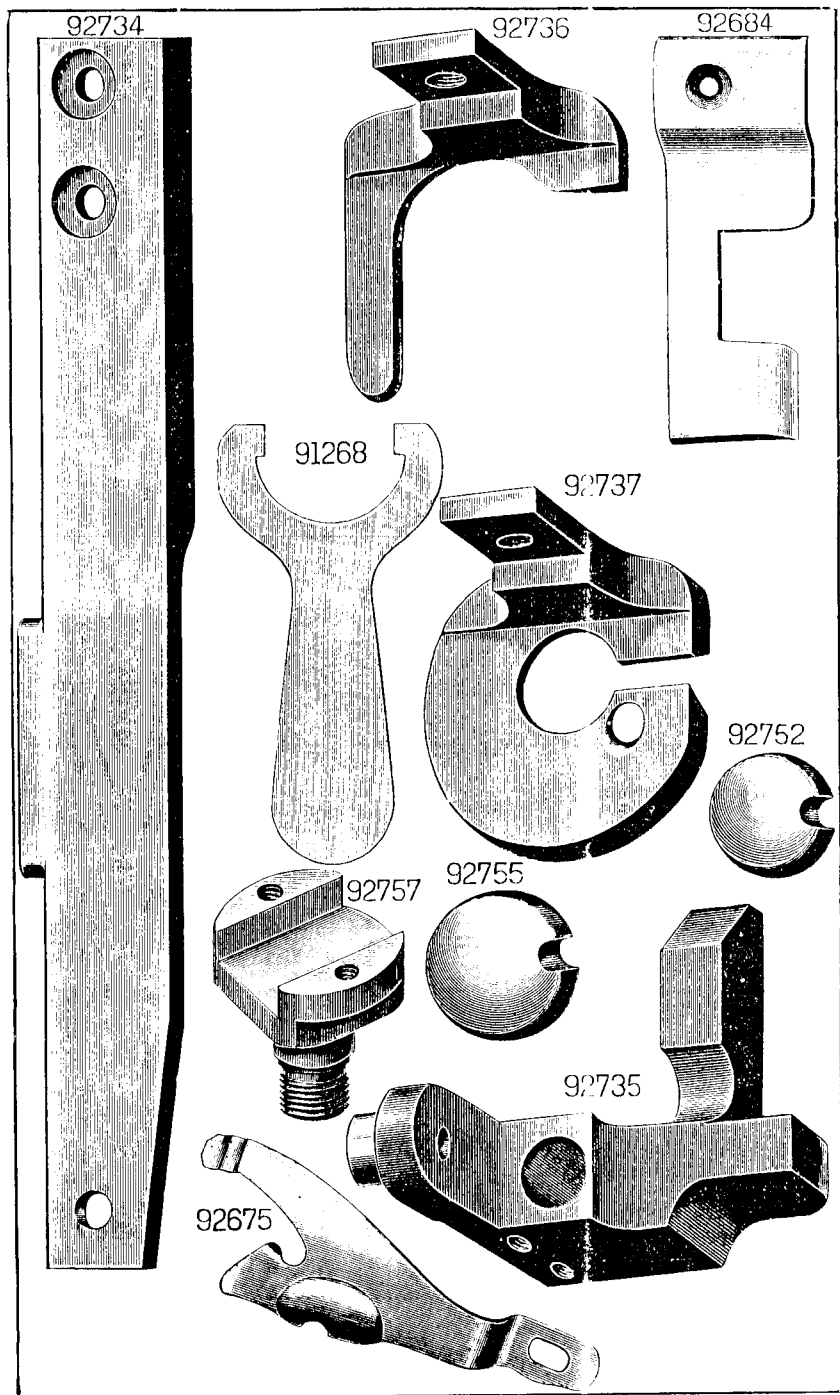
92798

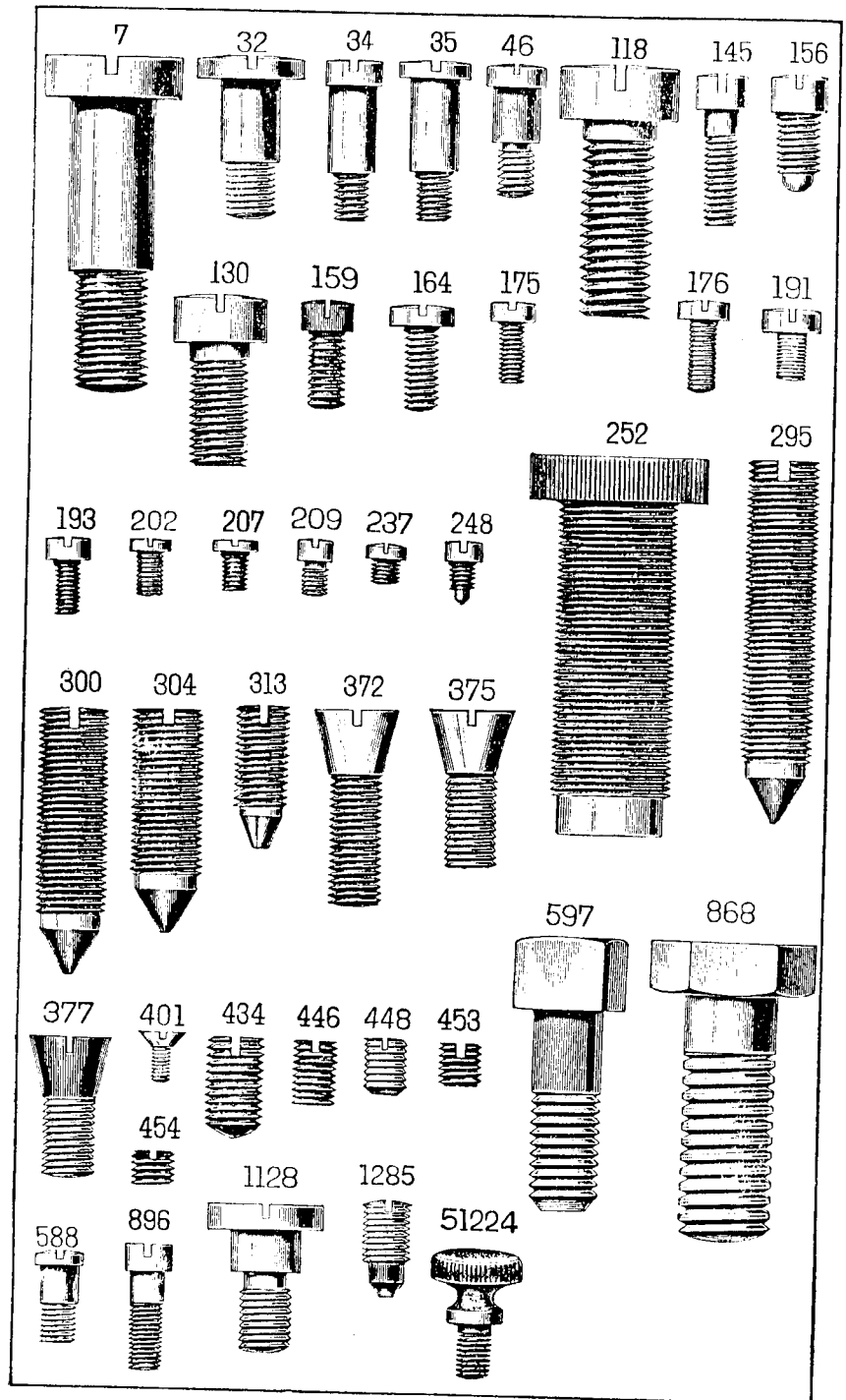
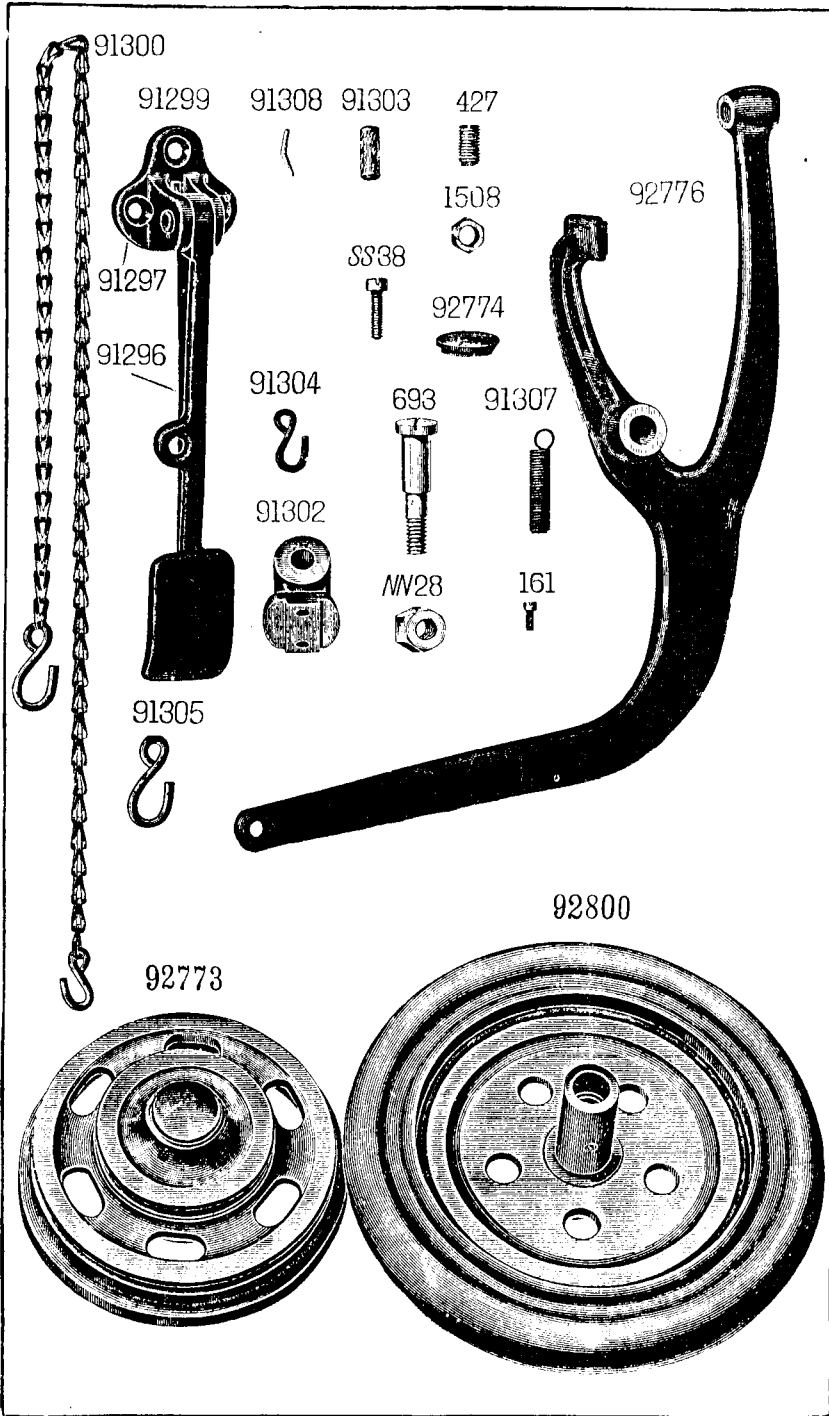


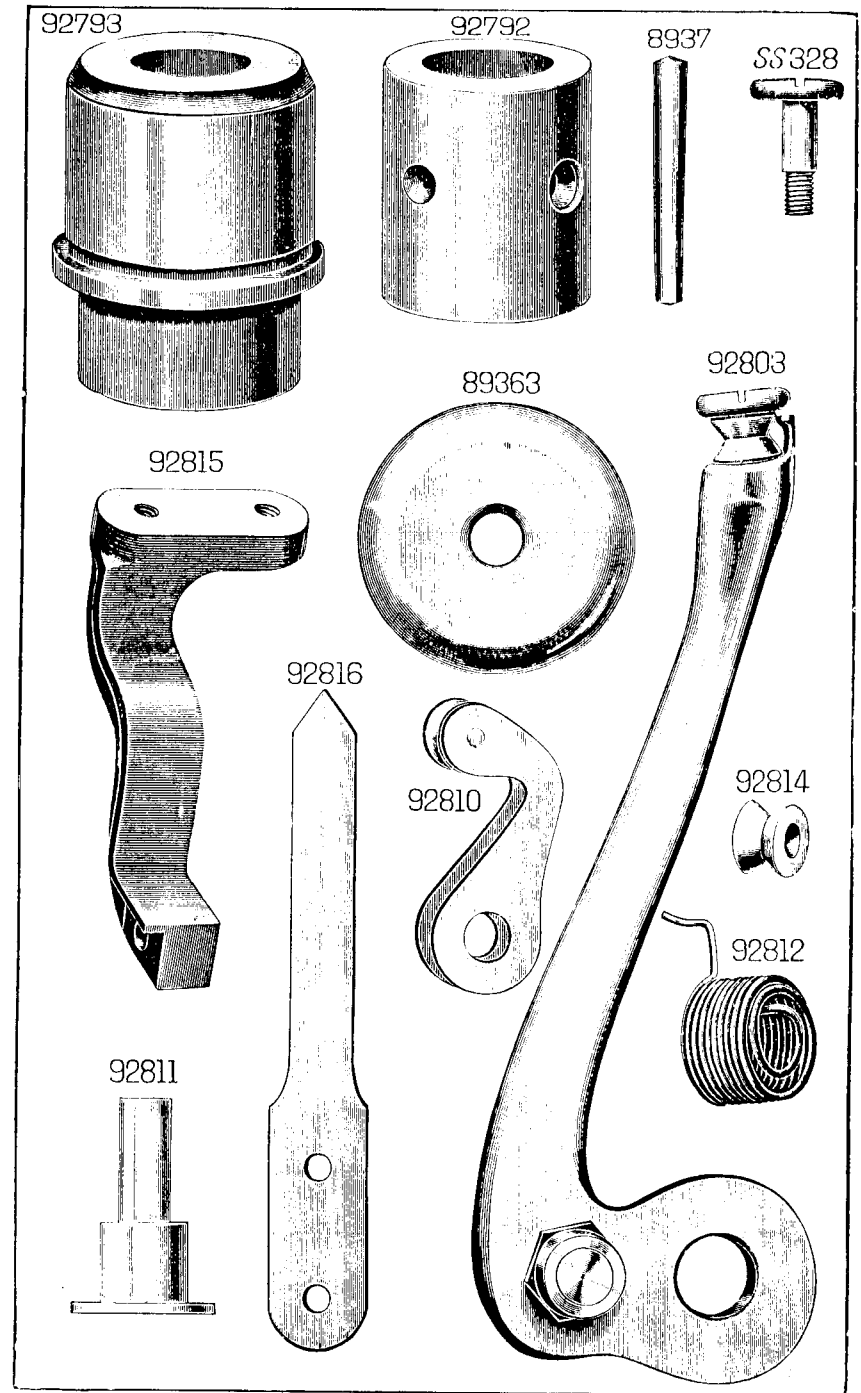
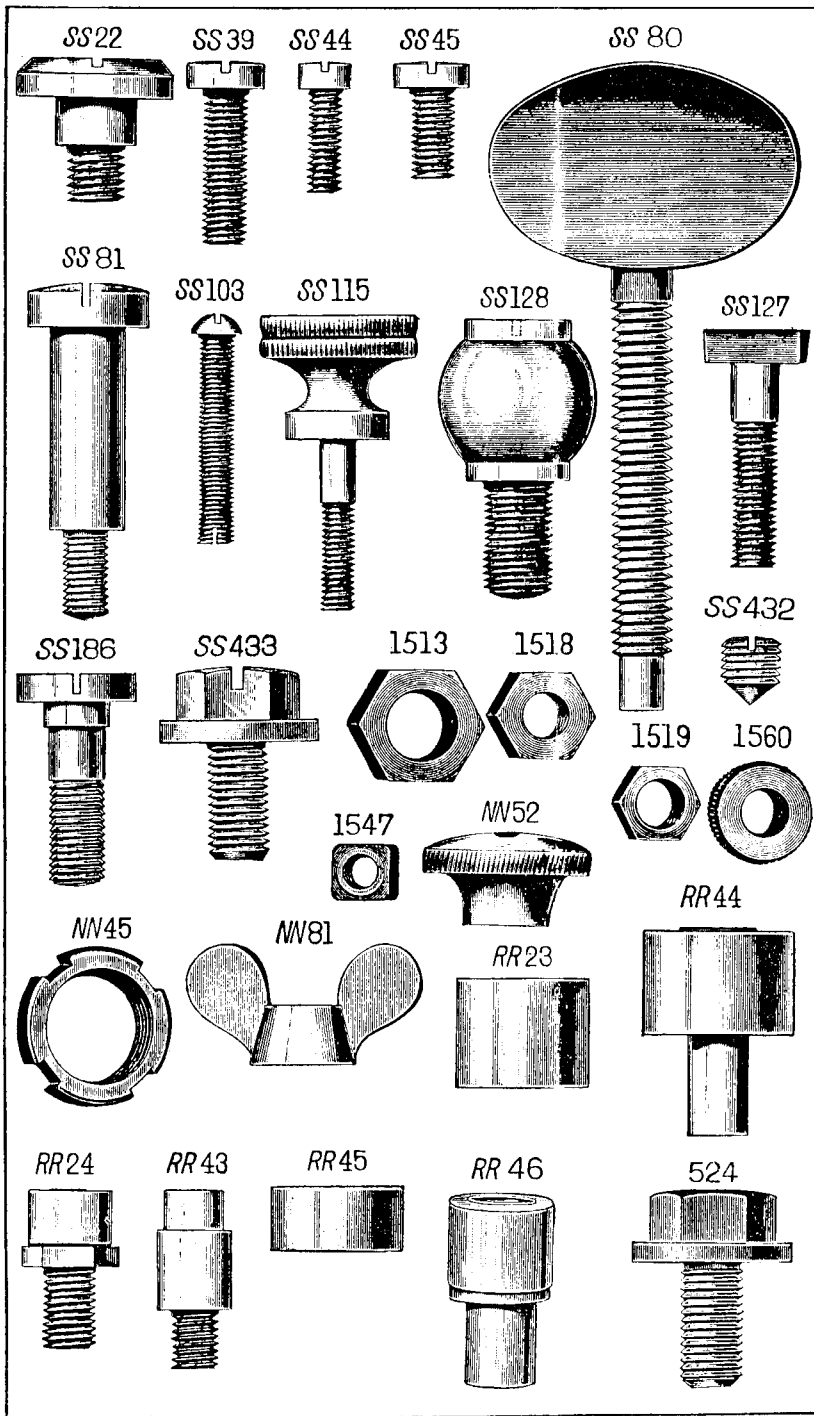
92696

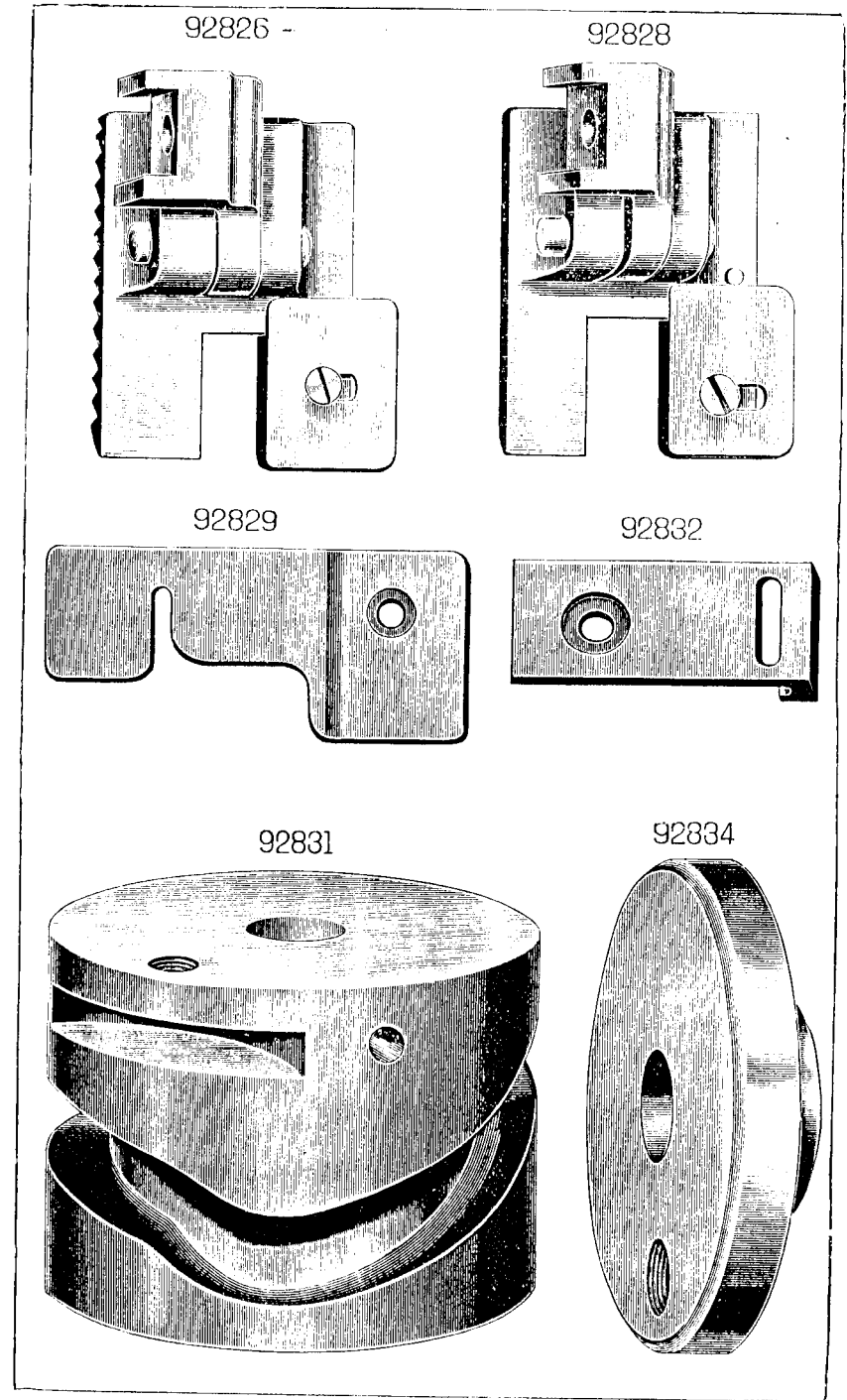
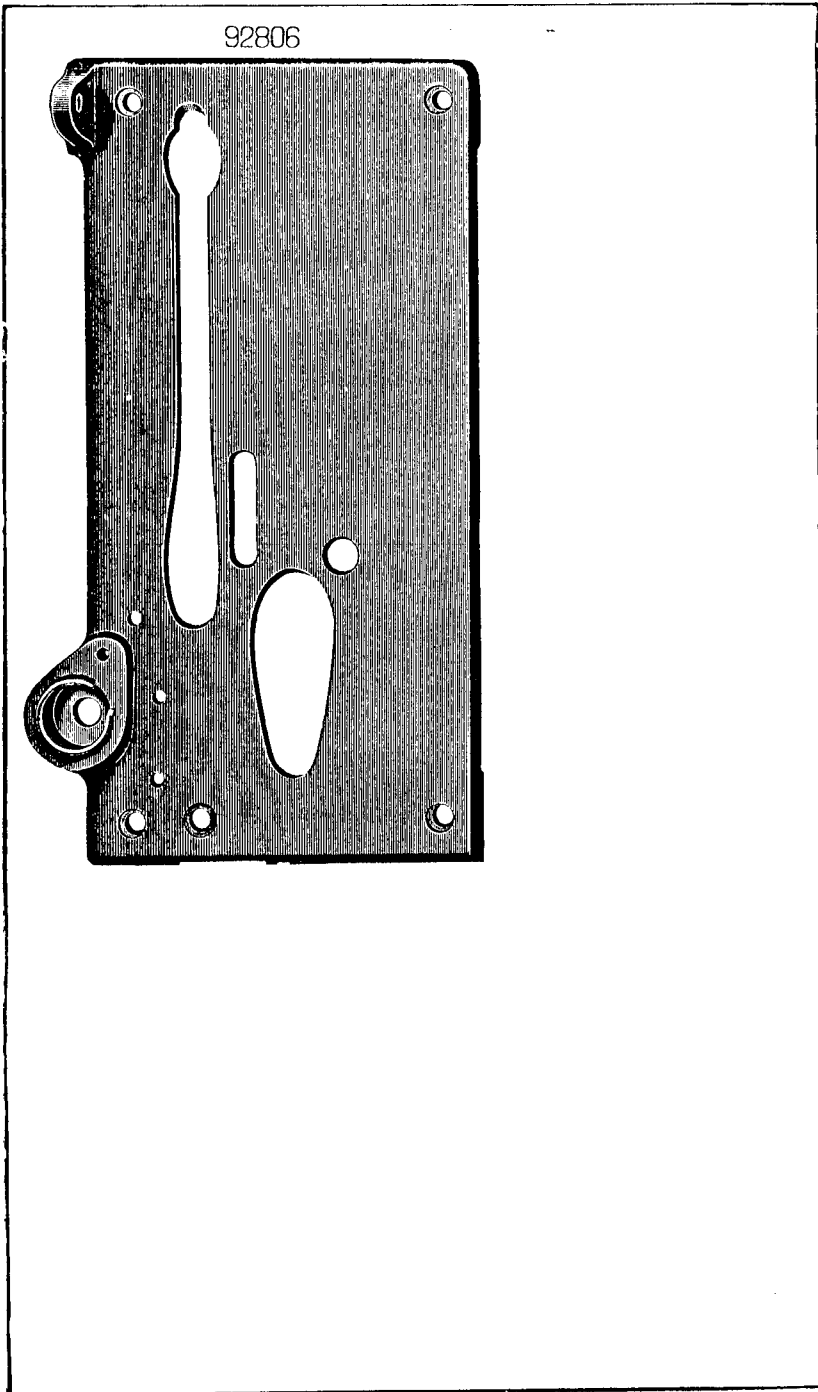
92694

92695





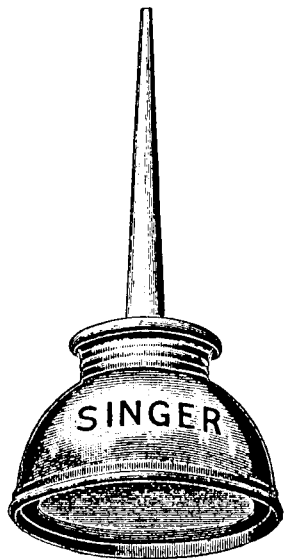




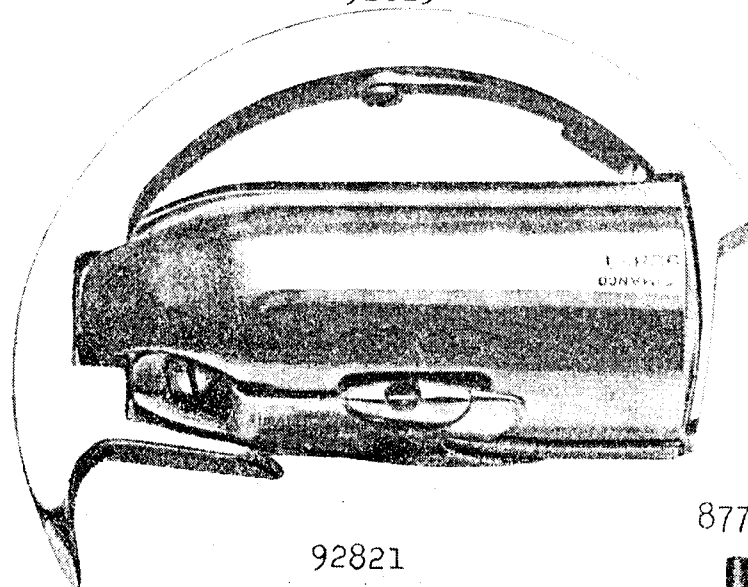
86611



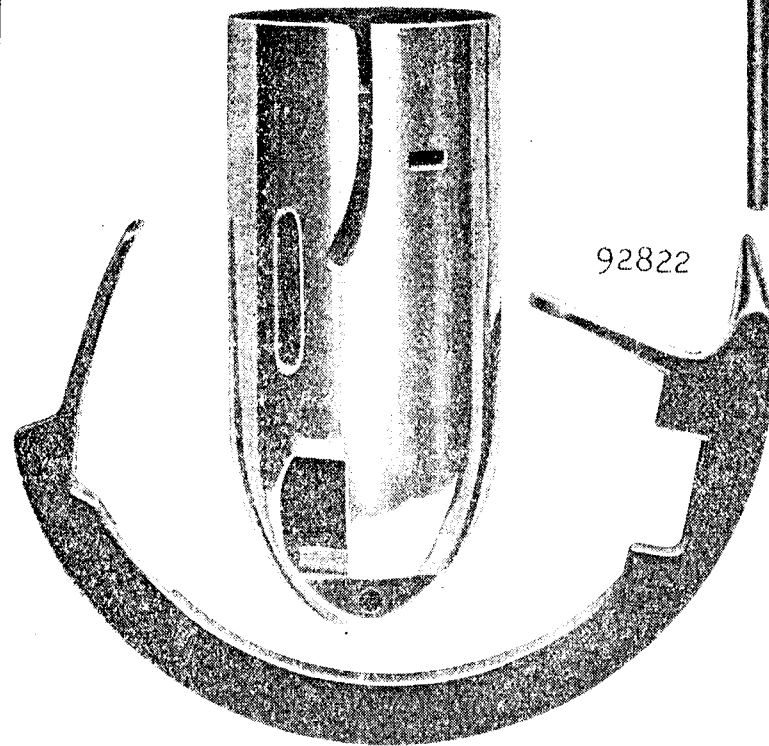
120342



92823



92821

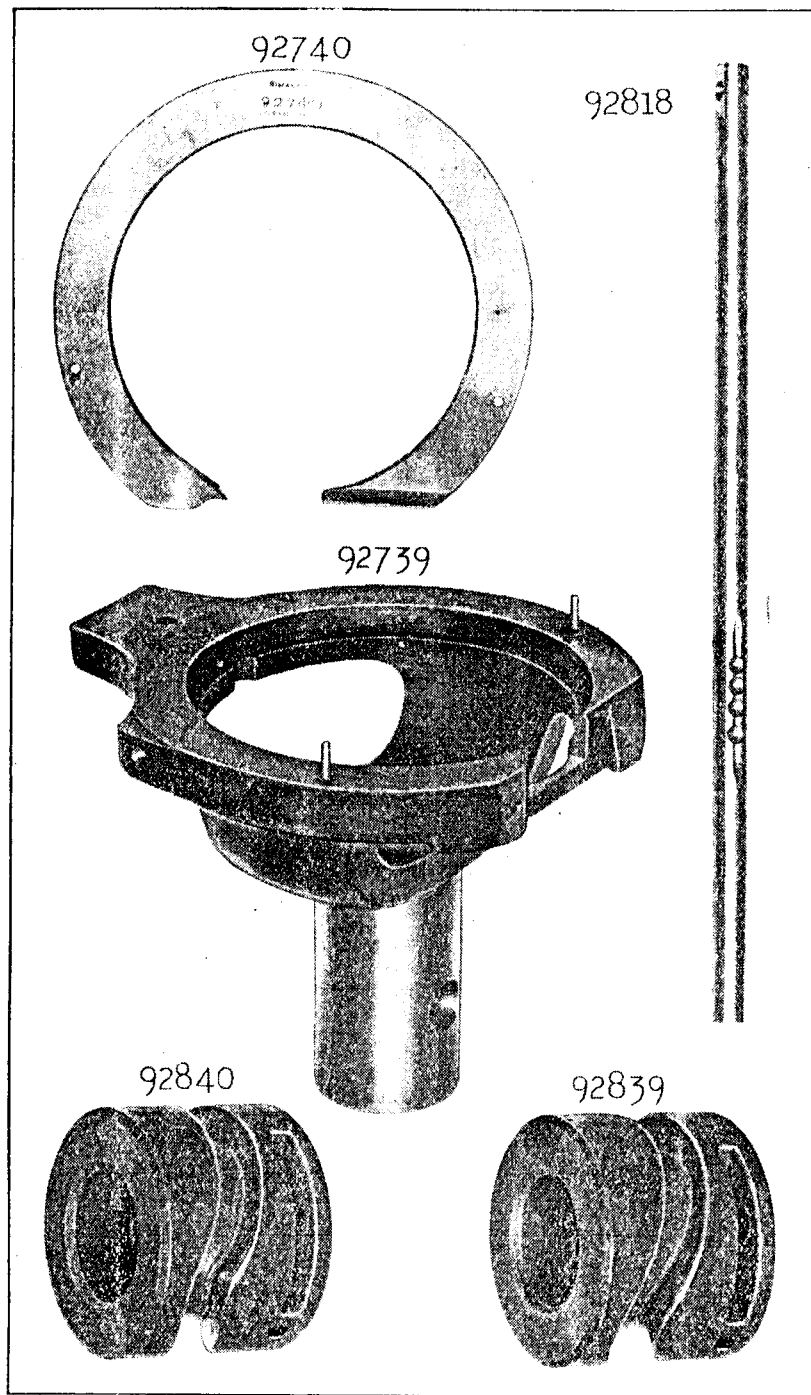
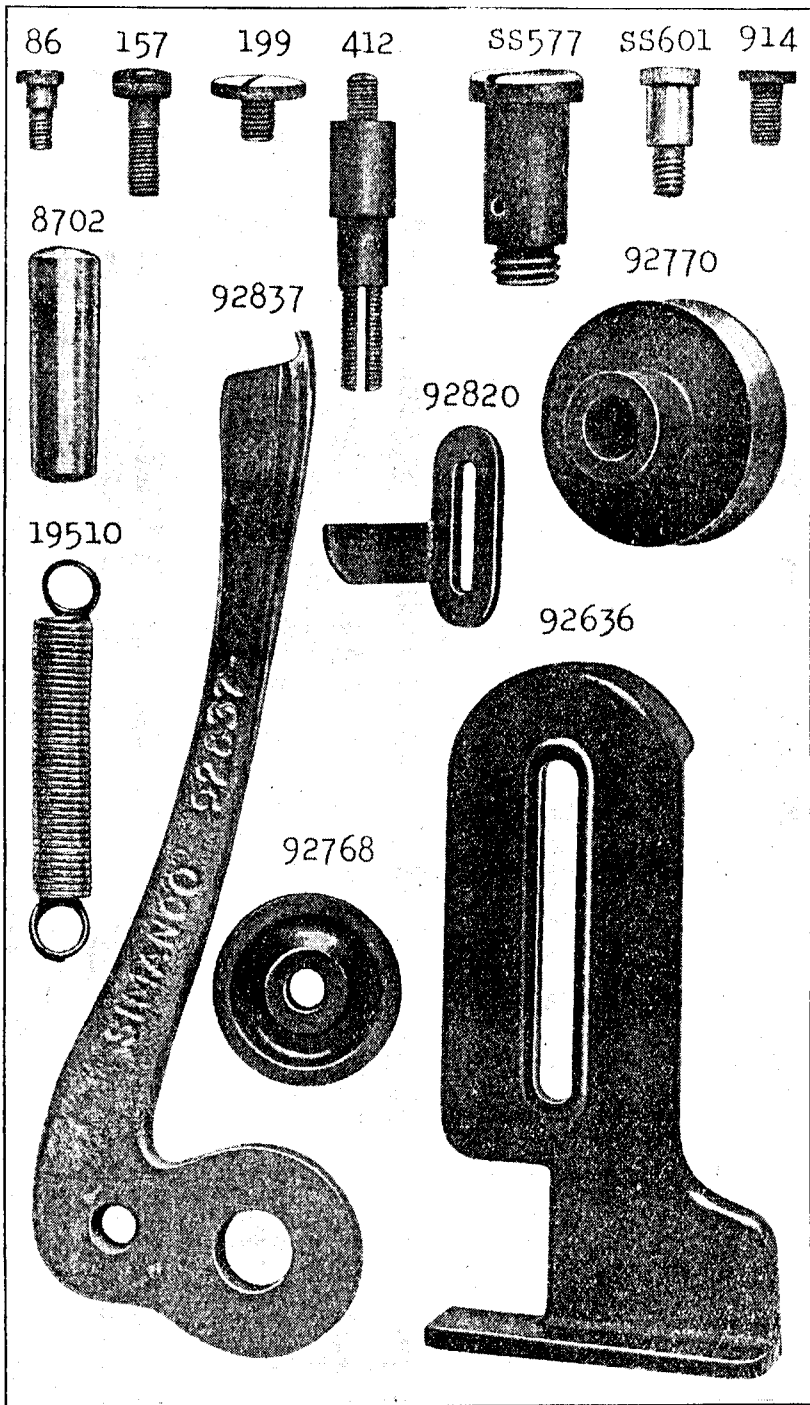


8777

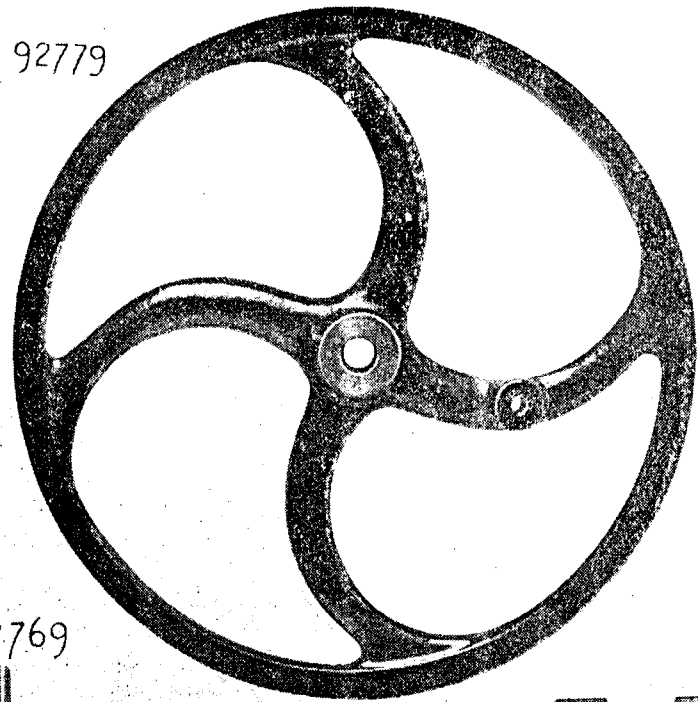
92822







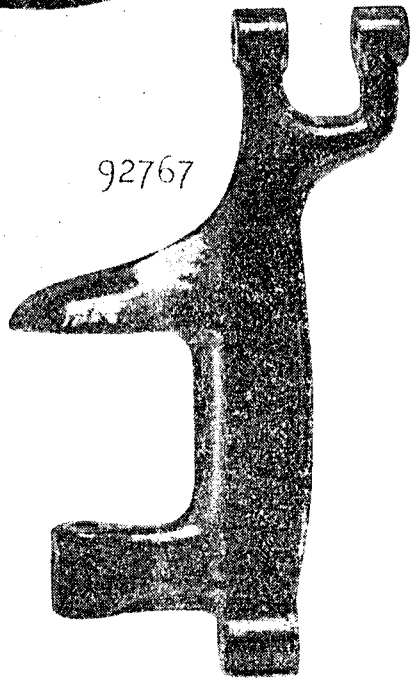
92779



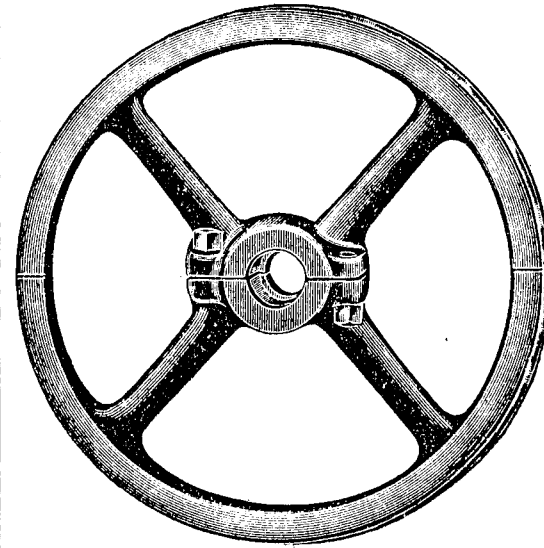
92769

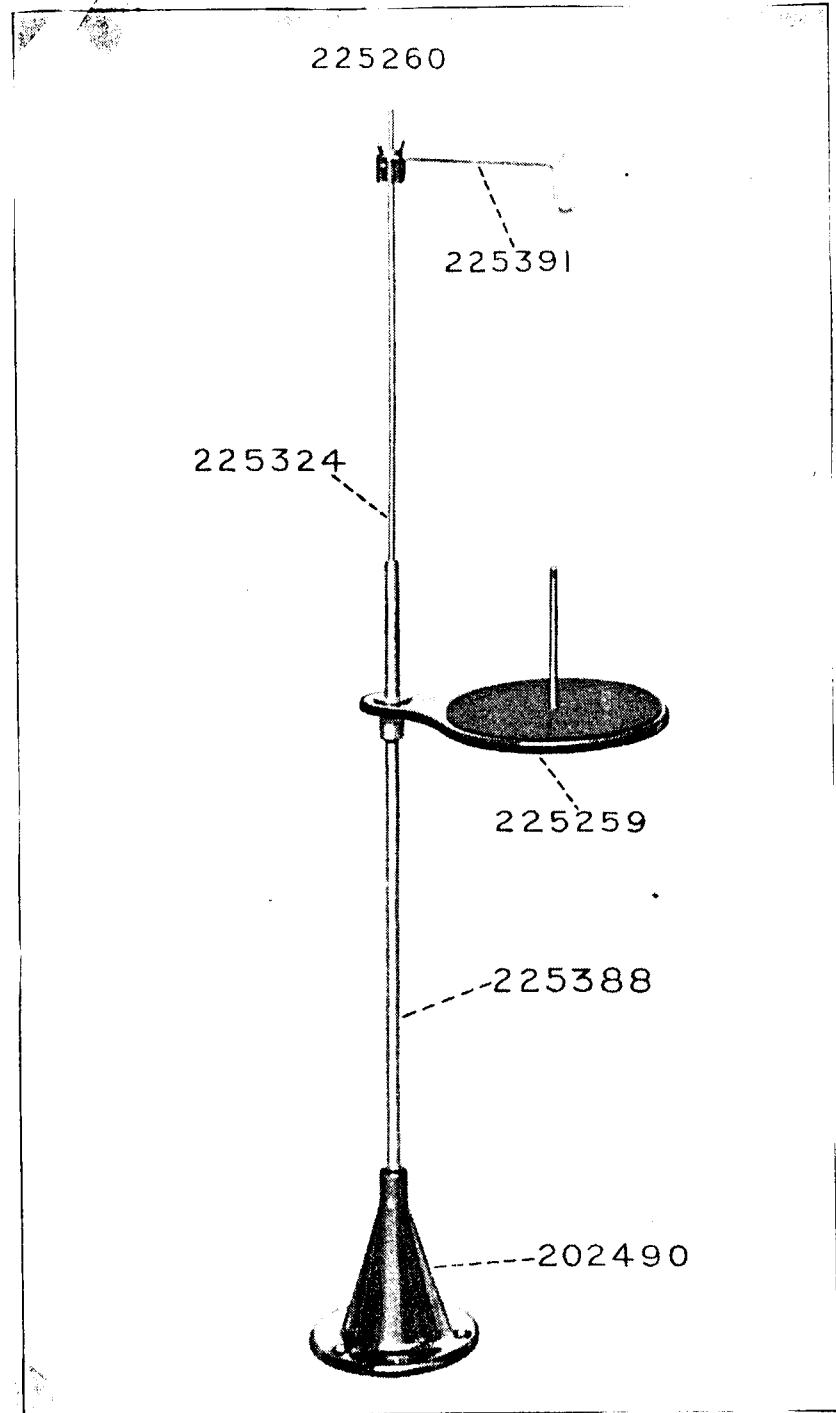
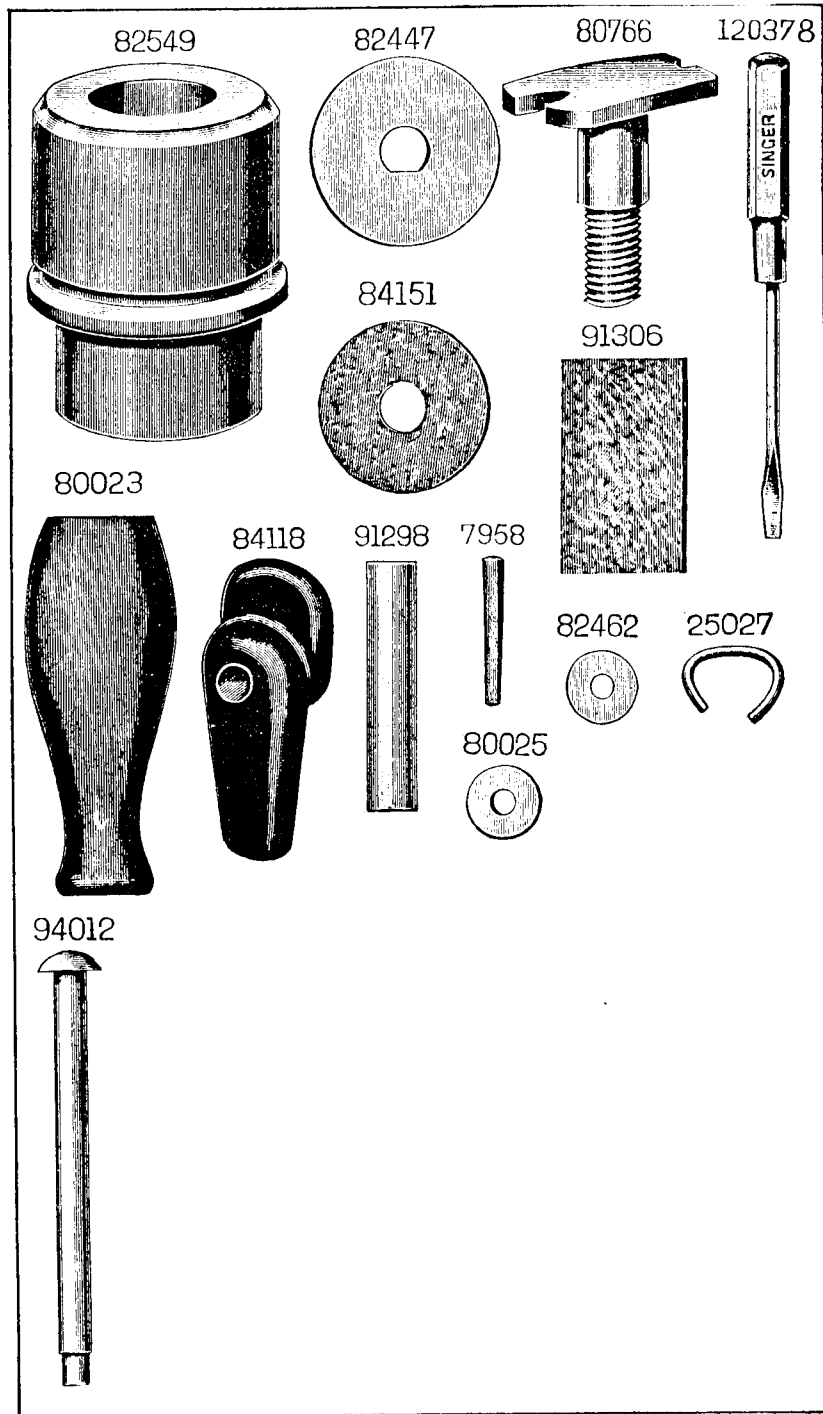


92767



84275





## INSTRUCTIONS FOR ORDERING

In ordering from this List, the prefix and affix letters with the part number **MUST BE** quoted exactly as they are shown in the first column.

A number always indicates the same part in whatever List it may appear, or for whatever machine.

The prefix *SS* indicates Screws made only at Singer.

" " *NN* " Nuts made only at Singer.

" " *RR* " Rollers and Studs made only at Singer.

The affix letters (where shown) indicate the style of finish, as follows :—

- A. Hardened, Polished, Nickel Plated and Buffed.
- B. Polished, Nickel Plated and Buffed.
- C. Hardened only.
- C.R. Hardened and Merlized.
- D. Polished only.
- E. Soft, not Polished.
- F. Hardened and Polished.
- F.J. Hardened, Polished and Nickel Plated.
- G. Bright Rumbled and Nickel Plated.
- H. Blue.
- J. Nickel Plated only.
- K. Hardened and Nickel Plated.
- L. Brass Plated.
- M. Oxidized.
- N. Japanned, Dull.
- P. Japanned, Bright.
- R. Merlized.
- S. Cadmium Plated.
- T. Copper Plated.
- T.A. Hardened, Polished, Copper and Nickel Plated and Buffed.
- T.B. Copper and Nickel Plated and Polished.
- T.J. Copper and Nickel Plated only.
- T.K. Hardened, Copper and Nickel Plated.
- T.L. Copper and Brass Plated.
- T.M. Copper Plated and Oxidized.
- U. Zinc Plated.
- V. Silver Plated.
- W. Polished and Nickel Plated.
- X. Black Oxide for Iron and Steel.
- X.C. Hardened and Black Oxide for Iron and Steel.
- Y. Black Nickel Plated only.
- Z. Chromium Plated.
- Z.A. Hardened, Polished, Nickel Plated, Buffed and Chromium Plated.
- Z.B. Polished, Nickel Plated, Buffed and Chromium Plated.
- Z.C. Hardened and Chromium Plated.
- Z.G. Bright Rumbled, Nickel Plated, Bright Rumbled and Chromium Plated.
- Z.J. Nickel and Chromium Plated.

*Parts marked with an asterisk (\*) are furnished only when the repairs are made at Factory.*

## PARTS COMPLETE

FOR

## No. 47K1 MACHINE

## CONTENTS

	Page
Parts, complete, for No. 47K1 Machine ... ..	43
" Special to No. 47K3 Machine ... ..	51
" " " " 47K5 " ... ..	53
Accessories ... ..	54
Bobbin Winder ... ..	54
Obsolete Parts ... ..	57
Singer Driving Attachment ... ..	55
Thread Unwinder ... ..	56
Numerical List of Parts ... ..	61

Overseaming with Top and Bottom Feed, 10" from Needle to Base  
of Arm, extra large Cylinder Shuttle with 4" Shuttle Race ;  
greatest throw of the Needle,  $\frac{3}{8}$ "

No.	Plate	
*92790	—	<b>Arm</b> with 446c, 15404, 82549, 92792 and two 15405 ... ..
8702	2157	" Dowel Pin (2) ... ..
868c	432	" Screw (front) (2) ... ..
118c	432	" " (back) ... ..
92835	—	<b>Arm Shaft</b> ... ..
92792	624	" " Bushing (back) ... ..
82549	2161	" " " (front) ... ..
116c	432	" " " Set Screw ... ..
92794	418	" " Driving Pinion with 454c ... ..
8937	624	" " " " Pin ... ..
154c	432	" " " " Set Screw ... ..
82400	420	" " Oil Tube ... ..
524c	433	" " Screw for Balance Wheels Nos. 92795 and 92796 ... ..
SS433c	433	" " " " machine when fitted with Driving Attachment ... ..
82402	414	<b>Arm Side Cover</b> ... ..
51224d	432	" " " Thumb Screw ... ..
92607	418	" Thread Guide (front) ... ..
82450	418	" " " (side) ... ..
193d	432	" " " Screw ... ..
92795	412	<b>Balance Wheel</b> (two-speed) with two 434c (for use with Steam Power) ... ..
92796	—	" " (heavy) with two 434c (for use on Stand or Foot Power) ... ..
434c	432	" " Set Screw ... ..
*92609	—	<b>Bed</b> ... ..

No.	Plate						
33949	417	<b>Cam Bevel Gear</b>	...	...	...	...	...
92842	—	" " "	33949 with SS577c	...	...	...	...
92610	417	" " "	Driving Bevel Pinion with two 453c	...	...	...	...
453c	432	" " "	" " " Set Screw	...	...	...	...
SS577c	2157	" " "	Hinge Screw	...	...	...	...
92611	423	" " "	Quadrant with RR43, two each 207c and 85325	...	...	...	...
92612	423	" " "	" " Collar with 209c	...	...	...	...
209c	432	" " "	" " Set Screw	...	...	...	...
RR43	433	" " "	" " Roller and Screw Stud	...	...	...	...
207c	432	" " "	" " Stop Screw	...	...	...	...
85325	423	" " "	" " " Washer	...	...	...	...
92613	412	<b>Crank Connecting Rod</b> with two 92614 and four 896c	...	...	...	...	...
*92614	—	" " "	Cap	...	...	...	...
896c	432	" " "	" " Screw	...	...	...	...
92615	414	<b>Gross-over Cam Cover Plate</b>	...	...	...	...	...
207d	432	" " "	" " Screw (2)	...	...	...	...
92616	414	" " "	Pitman	...	...	...	...
92617	417	" " "	Joint	...	...	...	...
35d	432	" " "	" " Hinge Screw	...	...	...	...
248c	432	" " "	" " Position Screw	...	...	...	...
SS127d	433	" " "	" " Screw	...	...	...	...
92618	417	" " "	" " Bush	...	...	...	...
NN52d	433	" " "	" " Thumb Nut	...	...	...	...
85709	423	" " "	" " " Washer	...	...	...	...
92806	720	<b>Face Plate</b>	...	...	...	...	...
145c	432	" " "	Screw (4)	...	...	...	...
92802	—	<b>Face Plate</b> , complete, Nos. 448c, SS601d, 82448, 82450, 82455, 92687, 92806, 92810 to 92812, 92820 and two 207d	...	...	...	...	...
92797	414	<b>Feed Bar</b>	...	...	...	...	...
92704	424	" " "	Retaining Spring	...	...	...	...
92623	424	" " "	" " Hook	...	...	...	...
588c	432	" " "	" " Screw	...	...	...	...
313c	432	" " "	Screw Centre (2)	...	...	...	...
1519e	433	" " "	" " Nut (2)	...	...	...	...
3032	423	<b>Feed Cam</b> with 446c	...	...	...	...	...
446c	432	" " "	Set Screw	...	...	...	...
<del>52165</del> 2022	<del>410</del>	<b>Feed Connecting Link</b>	...	...	...	...	...
375c	432	" " "	" " Hinge Screw (2)	...	...	...	...
1518e	433	" " "	" " " Nut (2)	...	...	...	...

No.	Plate						
92798	428	<b>Feed Dog</b>	...	...	...	...	...
SS539c	433	" " "	Screw	...	...	...	...
92626	414	<b>Feed Forked Connection</b>	...	...	...	...	...
372c	432	" " "	" " Hinge Screw	...	...	...	...
1518e	433	" " "	" " " Nut	...	...	...	...
92627	412	<b>Feed Lifting Rock Shaft</b> with RR14	...	...	...	...	...
92628	—	" " "	" " 92627 with 92629	...	...	...	...
92629	425	" " "	" " Crank with RR46 and 453c	...	...	...	...
3012	424	" " "	" " " Pin	...	...	...	...
RR46	433	" " "	" " " Roller and Stud	...	...	...	...
300c	432	" " "	" " " Screw Centre	...	...	...	...
1513j	433	" " "	" " " " Nut	...	...	...	...
453c	432	" " "	" " " Set Screw	...	...	...	...
8396	423	" " "	" " " Stationary Centre	...	...	...	...
92631	422	" " "	" " " Raising Cam with 446c	...	...	...	...
3012	424	" " "	" " " " Pin	...	...	...	...
446c	432	" " "	" " " Set Screw	...	...	...	...
RR44	433	" " "	" " " Roller and Stud	...	...	...	...
91017	417	<b>Feed Regulator</b>	...	...	...	...	...
1128c	432	" " "	" " Hinge Screw	...	...	...	...
SS115d	433	" " "	" " Thumb Screw	...	...	...	...
92632	412	<b>Feed Rock Shaft</b>	...	...	...	...	...
92633	—	" " "	" " 92632 with 92634	...	...	...	...
92634	423	" " "	" " Crank with 453c	...	...	...	...
3012	424	" " "	" " " Pin	...	...	...	...
453c	432	" " "	" " " Set Screw	...	...	...	...
300c	432	" " "	" " " Screw Centre (2)	...	...	...	...
1513j	433	" " "	" " " Nut (2)	...	...	...	...
92636	2157	<b>Guide</b>	...	...	...	...	...
SS115d	433	" " "	" " Thumb Screw	...	...	...	...
91091	414	<b>Needle Bar</b>	...	...	...	...	...
92640	414	" " "	" " Connecting Link Guide	...	...	...	...
161d	432	" " "	" " " " Screw (2)	...	...	...	...
92638	417	" " "	" " Connection with two 446c	...	...	...	...
92639	417	" " "	" " Link with SS44c	...	...	...	...
SS44c	433	" " "	" " " Adjusting Screw	...	...	...	...
377c	432	" " "	" " " Hinge Screw	...	...	...	...
1518e	433	" " "	" " " " Nut	...	...	...	...
446c	432	" " "	" " " Set Screw	...	...	...	...
92641	414	" " "	Frame	...	...	...	...
300c	432	" " "	" " Screw Centre (short)	...	...	...	...
295c	432	" " "	" " " (long)	...	...	...	...
1513j	433	" " "	" " " Nut (2)	...	...	...	...

No.	Plate						
92642	417	<b>Needle Clamp</b> with 156c	...	...	...	...	...
156c	432	" " Set Screw	...	...	...	...	...
92649	423	<b>Oscillating Shuttle Driving Shaft</b>	...	...	...	...	...
SS128c	433	" " " " Ball End Screw Stud	...	...	...	...	...
1513j	433	" " " " " " " " Nut	...	...	...	...	...
92650	417	" " " " Fork with 446c	...	...	...	...	...
446c	432	" " " " " " Set Screw	...	...	...	...	...
92646	424	" " " " " Pin	...	...	...	...	...
92643	420	<b>Oscillating Shuttle Shaft</b>	...	...	...	...	...
92644	—	" " " " Crank	...	...	...	...	...
92645	418	" " " " 92644 with 446c, 1519e and 92648	...	...	...	...	...
92646	424	" " " " " Pin	...	...	...	...	...
446c	432	" " " " " Set Screw	...	...	...	...	...
92647	418	" " " " " Slide Block	...	...	...	...	...
190d	418	" " " " " " " Cap Screw	...	...	...	...	...
5968	418	" " " " " " " " " Washer	...	...	...	...	...
SS247c	418	" " " " " " " Screw Stud	...	...	...	...	...
1519e	433	" " " " " " " " " Nut	...	...	...	...	...
92648	418	<b>Oscillating Shuttle Shaft Crank Slide Block, complete, Nos. 190d, SS247c, 5968 and 92647</b>	...	...	...	...	...
92818	2158	<b>Presser Bar</b> (round)	...	...	...	...	...
92651	419	" " (flat)	...	...	...	...	...
199c	2157	" " ( " ) Hinge Hub Cap Screw	...	...	...	...	...
34d	432	" " Position Hinge Screw for 92651	...	...	...	...	...
91075	422	<b>Presser Bar Spring</b>	...	...	...	...	...
92654	426	" " " " Bracket with 1285c	...	...	...	...	...
1285c	432	" " " " " Set Screw	...	...	...	...	...
92655	425	<b>Presser Bar Lifter</b>	...	...	...	...	...
SS186d	433	" " " " Hinge Screw	...	...	...	...	...
1518c	433	" " " " " " Nut	...	...	...	...	...
92656	424	" " " " Stop Pin	...	...	...	...	...
252d	432	" " " " Thumb Screw	...	...	...	...	...
NN45c	433	" " " " " Locking Nut	...	...	...	...	...
92662	—	<b>Presser Foot Bracket</b>	...	...	...	...	...
92606	424	" " " " Hinge Pin	...	...	...	...	...
92663	—	" " Sole (serrated)	...	...	...	...	...
92664	427	<b>Presser Foot</b> (serrated) (two short toes), complete, Nos. 92606, 92662 and 92663	...	...	...	...	...

No.	Plate						
92662	—	<b>Presser Foot Bracket</b>	...	...	...	...	...
92606	424	" " " " Hinge Pin	...	...	...	...	...
92667	—	" " Sole (plain)	...	...	...	...	...
92668	427	<b>Presser Foot</b> (plain, two short toes), complete, Nos. 92606, 92662 and 92667	...	...	...	...	...
157c	2157	<b>Presser Foot Screw</b>	...	...	...	...	...
1547c	433	" " " " Nut	...	...	...	...	...
<i>NOTE: Nos. 92661 and 92668 are supplied with this machine.</i>							
92669	421	<b>Shuttle Bobbin</b>	...	...	...	...	...
92821	2156	" Cylinder	...	...	...	...	...
92671	421	" " Bobbin Pin	...	...	...	...	...
92673	421	" " Latch Spring	...	...	...	...	...
207d	432	" " " " Screw	...	...	...	...	...
92822	2156	" Frame	...	...	...	...	...
8777	2156	" " Hinge Pin	...	...	...	...	...
92675	429	" Tension Spring	...	...	...	...	...
SS103c	433	" " " " Screw	...	...	...	...	...
92823	2156	<b>Shuttle</b> (cylinder), complete, Nos. SS103c, 207d, 8777, 92669, 92671, 92673, 92675, 92821 and 92822	...	...	...	...	...
92785	416	<b>Shuttle Race</b> with 92682 and two 7958	...	...	...	...	...
118e	432	" " Bearing Binding Screw (2)	...	...	...	...	...
92786	416	" " Cap	...	...	...	...	...
7958	2161	" " " " Pin	...	...	...	...	...
92787	416	" " " " Spring	...	...	...	...	...
32d	432	" " " " " Screw	...	...	...	...	...
92788	416	" " Loop Spreader	...	...	...	...	...
401f	432	" " " " " Screw	...	...	...	...	...
92682	424	" " Position Pin	...	...	...	...	...
92789	—	<b>Shuttle Race</b> (adjustable), complete, Nos. 32d, 401f and 92785 to 92788	...	...	...	...	...
92677	422	<b>Shuttle Driver</b>	...	...	...	...	...
92678	424	" " Pin	...	...	...	...	...
92679	413	<b>Shuttle Slide</b>	...	...	...	...	...
92815	624	<b>Tension Release Bracket</b>	...	...	...	...	...
159e	432	" " " " Screw	...	...	...	...	...
92816	624	" " Lever	...	...	...	...	...
176d	432	" " " " Binding Screw	...	...	...	...	...
82462	2161	" " " " " " Washer	...	...	...	...	...
92804	—	<b>Tension Release</b> , complete, Nos. 159e, 92815, 92816 and two each 176d and 82462	...	...	...	...	...

No.	Plate					
92807	---	<b>Thread Controller Lever</b>	...	...	...	...
SS601d	2157	" " " Hinge Screw	...	...	...	...
92808	---	" " " Wheel	...	...	...	...
92809	---	" " " Pin	...	...	...	...
92810	624	<b>Thread Controller Lever, complete, Nos. 92808, 92809 and two 92807</b>	...	...	...	...
92820	2157	<b>Thread Controller Regulator</b>	...	...	...	...
207d	432	" " " Screw	...	...	...	...
92812	624	" " Spring	...	...	...	...
82455	424	" " Stop Pin	...	...	...	...
92811	624	" " Stud	...	...	...	...
448c	432	" " Set Screw	...	...	...	...
82448	423	" " Wheel	...	...	...	...
82450	418	<b>Thread Guide</b>	...	...	...	...
207d	432	" " Screw	...	...	...	...
89363	624	<b>Thread Retainer Disc</b>	...	...	...	...
412c	2157	" " Screw Stud	...	...	...	...
1560d	433	" " " Regulating Thumb Nut	...	...	...	...
82445	423	" " Spring	...	...	...	...
92687	---	<b>Thread Retainer, complete, Nos. 412c, 1560d, 82445 and two 89363</b>	...	...	...	...
92839	2158	<b>Thread Take-up Cam with two 446c</b>	...	...	...	...
3012	424	" " Pin	...	...	...	...
446c	432	" " Set Screw	...	...	...	...
92837	2157	<b>Thread Take-up Lever</b>	...	...	...	...
92838	---	" " " 92837 with RR24, SS328c, 1519c and 92814	...	...	...	...
SS22d	433	" " Hinge Screw	...	...	...	...
92814	624	" " Roller	...	...	...	...
SS328c	624	" " Hinge Screw	...	...	...	...
RR24	433	" " and Screw Stud	...	...	...	...
1519c	433	" " " " Nut	...	...	...	...
92694	428	<b>Throat Plate</b>	...	...	...	...
92695	428	" " Needle Plate	...	...	...	...
914d	2157	" " Screw	...	...	...	...
92696	428	<b>Throat Plate, complete, Nos. 914d, 92694 and 92695, for 92798</b>	...	...	...	...
92694	428	<b>Throat Plate</b>	...	...	...	...
92697	---	" " Needle Plate (fine needle hole)	...	...	...	...
914d	2157	" " Screw	...	...	...	...
92698	---	<b>Throat Plate, complete, for Fine Overscaming Stitching, Nos. 914d, 92694 and 92697, for 92798</b>	...	...	...	...

No.	Plate					
92694	428	<b>Throat Plate</b>	...	...	...	...
92699	---	" " Needle Plate (for straight stitching)	...	...	...	...
914d	2157	" " Screw	...	...	...	...
92700	---	<b>Throat Plate, complete, for Straight Stitching, Nos. 914d, 92694 and 92699, for 92798</b>	...	...	...	...
SS45d	433	<b>Throat Plate Screw (2)</b>	...	...	...	...
<i>NOTE. No. 92696 is supplied with this machine unless otherwise specified on order.</i>						
92701	419	<b>Top Feed Cam with two 446c</b>	...	...	...	...
92702	---	" " " Lever Quadrant	...	...	...	...
92703	420	" " " " " 92702 with RR23, 85325, 92705 and two 207d	...	...	...	...
3012	424	" " " " " Pin	...	...	...	...
19510	2157	" " " " " Retaining Spring	...	...	...	...
86c	2157	" " " " " Screw	...	...	...	...
RR23	433	" " " " " Roller	...	...	...	...
92705	424	" " " " " Pin	...	...	...	...
207d	432	" " " " " Stop Screw (top)	...	...	...	...
207d	432	" " " " " " (bottom)	...	...	...	...
85325	423	" " " " " Washer	...	...	...	...
92706	419	" " " " " Shaft	...	...	...	...
92707	419	" " " " " Collar with 453c (2)	...	...	...	...
453c	432	" " " " " Collar Set Screw	...	...	...	...
92708	419	" " " Pitman	...	...	...	...
80774	426	" " " Bushing	...	...	...	...
92819	426	" " " Hinge Quadrant Bolt	...	...	...	...
80767	426	" " " " " Washer	...	...	...	...
NN81d	433	" " " " " Wing Nut	...	...	...	...
372c	432	" " " " " Screw	...	...	...	...
1518c	433	" " " " " Nut	...	...	...	...
193c	432	" " " Retaining Spring Screw	...	...	...	...
446c	432	" " " Set Screw	...	...	...	...
92709	412	" " " Side Shaft	...	...	...	...
92710	---	" " " " " 92709 with 92711	...	...	...	...
92711	420	" " " " " Crank with 453c	...	...	...	...
92646	424	" " " " " Pin	...	...	...	...
453c	432	" " " " " Set Screw	...	...	...	...
304c	432	" " " " " Screw Centre (2)	...	...	...	...
1513j	433	" " " " " Nut (2)	...	...	...	...
92712	424	" " " Side Shaft Joint	...	...	...	...
92713	424	" " " " " Cap	...	...	...	...
202c	432	" " " " " Screw (2)	...	...	...	...
1513j	433	" " " " " Nut	...	...	...	...
92714	424	" " " " " Washer	...	...	...	...



No.	Plate						
92715	415	<b>Upright Shaft</b> ...					
92716	418	" " Bevel Pinion with 453c					
3012	424	" " " " Pin					
453c	432	" " " " Set Screw					
92718	413	" " Bracket					
130e	432	" " " Screw					
92719	432	" " Crank Disc with 446e					
SS128c	433	" " " " Ball End Screw Stud					
1513j	433	" " " " " " Nut					
3012	424	" " " " Pin					
446c	432	" " " " Set Screw					
92720	419	<b>Vibrating Presser Bar Cam</b> with 446c					
92721	---	" " " " Lubricator (felt)					
175	432	" " " " " Screw					
85325	423	" " " " " Washer					
3012	424	" " " " Pin					
446c	432	" " " " Set Screw					
92722	415	" " " " Lever					
7d	432	" " " " Hinge Screw					
92817	424	" " " " Piston Joint					
8589	424	" " " " " Pin					
92783	---	" " " " Plunger					
92724	424	" " " " " 92783 with RR45 and 92727					
92725	424	" " " " " Hinge Pin					
92726	---	" " " " " Oil Lubricator (felt)					
RR45	433	" " " " " Roller					
92727	424	" " " " " Pin					
92723	---	<b>Vibrating Presser Bar Lever</b> , complete, Nos. 7d, 8589, 92722, 92724 to 92726 and 92817					
*15404	---	<b>Trade Mark</b> ...					
15405	---	" " Rivet					
92801	---	<b>Drip Pan</b> ...					

## PARTS SPECIAL

TO

## No. 47K3 MACHINE

### Overseaming with Top and Bottom Feed, etc., fitted for Grommet Work

This machine is the same as No. 47K1 with the following exceptions :-

No.	Plate						
92799	430	<b>Feed Dog</b> ...					
92734	429	<b>Presser Bar</b> (flat) ...					
92781	415	" " (round) ...					
161c	432	" " Screw (2) ...					
92735	429	" " Spring Bracket with 446c					
92736	429	<b>Presser Foot</b> (for plain eyeletting)					
92737	429	" " (for metal ring eyeletting)					
92738	430	" " (serrated)					
191c	432	" " Screw for 92736 and 92737					
<i>NOTE: Nos. 92736 and 92737 are supplied with this machine.</i>							
92739	2158	<b>Shuttle Race</b> with 92682 and two 7958					
92740	2158	" " Cap					
92741	---	<b>Shuttle Race</b> (adjustable), complete, Nos. 32d, 401f, 92739, 92740, 92787 and 92788					
92742	430	<b>Throat Plate</b> ...					
92743	430	" " Needle Plate with 92758					
207d	432	" " " " Screw					
92758	---	" " " " Spur, 1/8"					
92744	---	<b>Throat Plate</b> for 1/4" Grommet, complete, Nos. 92742, 92743 and two 207d					
92742	430	<b>Throat Plate</b> ...					
92764	430	" " Needle Plate with 92745					
207d	432	" " " " Screw					
92745	---	" " " " Spur, 3/8"					
92746	430	<b>Throat Plate</b> for 3/8" Grommet, complete, Nos. 92742, 92764 and two 207d					

## PARTS SPECIAL TO No. 47K3 MACHINE

No.	Plate	
92742	430	<b>Throat Plate</b> ... ..
92747	--	" " Needle Plate ... ..
92748	430	" " " " 92747 with 202c and 92749 ... ..
207d	432	" " " " Screw ... ..
92749	--	" " " " Spur, $\frac{1}{2}$ " ... ..
202c	432	" " " " " Screw ... ..
92750	--	<b>Throat Plate</b> for $\frac{1}{2}$ " Grommet, complete, Nos. 92742, 92748 and two 207d ... ..
92742	430	<b>Throat Plate</b> ... ..
92747	--	" " Needle Plate ... ..
92751	--	" " " " 92747 with 202c and 92752 ... ..
207d	432	" " " " Screw ... ..
92752	429	" " " " Spur, $\frac{3}{8}$ " ... ..
202c	432	" " " " " Screw ... ..
92753	--	<b>Throat Plate</b> for $\frac{5}{8}$ " Grommet, complete, Nos. 92742, 92751 and two 207d ... ..
92742	430	<b>Throat Plate</b> ... ..
92747	--	" " Needle Plate ... ..
92754	--	" " " " 92747 with 202c and 92755 ... ..
207d	432	" " " " Screw ... ..
92755	429	" " " " Spur, $\frac{3}{8}$ " ... ..
202c	432	" " " " " Screw ... ..
92756	--	<b>Throat Plate</b> for $\frac{3}{4}$ " Grommet, complete, Nos. 92742, 92754 and two 207d ... ..
92757	429	<b>Top Feed Cam Side Shaft Joint</b> ... ..

*NOTE.*—Nos. 92744 and 92764 are supplied with this machine unless otherwise specified on order.

## PARTS SPECIAL TO No. 47K5 MACHINE

**Overseaming with Top and Bottom Feed, etc. Greatest throw of the Needle,  $\frac{9}{32}$ "**

This machine is the same as No. 47K1 with the following exceptions:

No.	Plate	
92824		<b>Presser Foot Adjusting Plate</b> ... ..
2371	432	" " " " Screw ... ..
92825		" " Sole (serrated) ... ..
92826	1011	<b>Presser Foot</b> (serrated, two short toes), complete, Nos. 2371, 92606, 92662, 92824 and 92825 ... ..
92824		<b>Presser Foot Adjusting Plate</b> ... ..
2371	432	" " " " Screw ... ..
92827		" " Sole (plain) ... ..
92828	1011	<b>Presser Foot</b> (plain, two short toes), complete, Nos. 2371, 92606, 92662, 92824 and 92827 ... ..
<i>NOTE.</i> Nos. 92826 and 92828 are supplied with this machine.		
92829	1011	<b>Shuttle Race Loop Spreader</b> ... ..
92830	--	<b>Shuttle Race</b> (adjustable), complete, Nos. 32d, 4011, 92785 to 92787 and 92829 ... ..
92840	2158	<b>Thread Take-up Cam</b> with two 446c ... ..
92832	1011	<b>Throat Plate Needle Plate</b> ... ..
92833	--	<b>Throat Plate</b> , complete, Nos. 914d, 92694 and 92832, for 92798 ... ..
92834	1011	<b>Upright Shaft Crank Disc</b> with 446c ... ..

## ACCESSORIES

No.	Plate	
84118	2161	Machine Button with 84151 and wood screw $1\frac{1}{4}$ " No. 9 R.H.B. ...
84151	2161	" " Washer (leather) ...
214 1	-	Needles (6) three each sizes 23 and 24, for 47K5 Machine ...
214 1	-	" (3) size 27, for 47K1 Machine ...
214 3	-	" (3) " 28, " 47K1 " ...
214 9	-	" (6) three each sizes 26 and 27, for 47K3 Machine ...
120342	1600	Oiler ...
		Punch (for eyelets) (supplied according to size of Grommet) for 47K3 Machine ...
86611	1600	Screw Driver, 5" blade ...
120378	2161	" " (shuttle tension) ...
92669	421	Shuttle Bobbin (X) 2 ...
91268	429	Wrench for NN 45 ...

## BOBBIN WINDER

No.	Plate	
92779	2159	Bobbin Winder Driving Wheel ...
92841	---	" " " " 92779 with 80023 and 94012 ...
92780	---	" " " " Belt, 26 $\frac{1}{2}$ " long, with 25027 ...
25027	2161	" " " " " Hook ...
80023	2161	" " " " " Handle ...
94012	2161	" " " " " Spindle ...
80025	2161	" " " " " " Washer (brass)
SS81d	433	" " " " " Stud Screw ...
92767	2159	" " " " " Frame ...
SS80c	433	" " " " " Clamping Screw ...
92768	2157	" " " " " " Button ...
92769	2159	" " " " " Spindle ...
92770	2157	" " " " " Pulley ...
92771	412	<b>Bobbin Winder</b> (hand), complete, Nos. SS80c, SS81d, 80025, 92767 to 92770, 92780 and 92841 ...

## SINGER DRIVING ATTACHMENT

No.	Plate	
92800	431	Balance Wheel (10" diam.) with SS432c, 431c and 92775 ...
92773	431	" " Friction Pulley (two-speed) with 416c and 92774 ...
92774	431	" " " " Centre Bearing ...
92775	-	" " " " Ring (leather) ...
416c	432	" " " " Set Screw ...
431c	432	" " " " Set Screw (long) ...
SS432c	433	" " " " (short) ...
91296	431	Foot Lever ...
91297	431	" " Bracket ...
91298	2161	" " " Hinge Pin ...
		" " " Screw (wood) $1\frac{1}{4}$ " No. 15 ...
91300	431	" " Chain, 36 $\frac{1}{2}$ " long, with 91304 and 91305 ...
91304	431	" " " Hook (small) ...
91305	431	" " " " (large) ...
91299	431	" " Nos. 91296 to 91298 and three wood screws $1\frac{1}{4}$ " No. 15 ...
91323	-	Foot Lever, complete, 91299 with 91300 ...
92776	431	Lever with 91306 and 91308 ...
91302	431	" Bracket ...
SS38c	431	" " Screw ...
91303	431	" Centre Plug (wood) ...
427c	431	" " " Adjusting Screw ...
1508c	431	" " " " " Nut ...
91306	2161	" Friction Pad (leather) ...
693d	431	" Hinge Screw ...
NN28c	431	" " " Nut ...
91307	431	" Spring ...
161c	431	" " Screw ...
91308	431	" " " Pin ...
92777		Lever, complete, Nos. NN28c, SS38c, 161c, 427c, 693d, 1508c, 91302, 91303, 91307 and 92776 ...
84275	2160	Shaft Pulley (sectional, grooved), 10" diam., with two 597c ...
597c	432	" " Clamping Screw ...
92778	---	<b>Driving Attachment</b> , complete, Nos. 84275, 91323, 92773, 92777 and 92800 ...

## THREAD UNWINDER FOR ONE LARGE SPOOL OF THREAD

No.	Plate	
84147	412	Spool Pin ... ..
84148	412	" Rest with 448c ... ..
84149	412	Thread Eyelet Rod ... ..
448c	432	" " " Set Screw ... ..
<del>84150</del>	<del>412</del>	<del>Thread Unwinder, complete, Nos. 84147 to 84149 and two wood screws <math>\frac{7}{8}</math>" No. 10 ... ..</del>

## Thread Unwinder

For One Spool of Thread.

225259	2212	Spool Rest with 201018c ... ..
150203	---	" " Cushion (felt) ... ..
225388	2212	" " Rod ... ..
200383c	---	" " " Set Screw ... ..
201018c	---	" " " Set Screw ... ..
202490	2212	" Stand with 200383c ... ..
225391	2212	Thread Guide ... ..
201696j	---	" " Lock Nut ... ..
225326	---	" " Position Cup ... ..
225324	2212	" " Rod with 208c and 225322 ... ..
208c	---	" " " Screw ... ..
225322	---	" " " Washer ... ..
225260	2212	Thread Unwinder, complete, Nos. 150203, 201696j, 202490, 225259, 225324, 225326, 225388, 225391, and three wood screws $\frac{7}{8}$ " No. 12 ... ..
27739	---	Thread Cone (wood) for large cones ... ..
225390	---	" " Holder for inverted cones ... ..

*NOTE.*—Nos. 27739 and 225390 are used with, but not included in 225260.

## OBSOLETE PARTS

No.	Plate	
92760		Arm Shaft for 47K1 Machine ... ..
92602		" " " 47K1 and 47K3 Machines ... ..
92791	412	" " " ... ..
92603	425	" " Bushing (back) with 446c for 47K1 and 47K3 Machines ... ..
92604	425	" " " (front) for 47K1 and 47K3 Machines ... ..
92793	624	" " " ( " ) ... ..
92761	425	" " Driving Pinion with 454c for 47K1 Machine ... ..
92605	---	" " " " " 454c for 47K1 and 47K3 Machines ... ..
92606	424	" " " " Pin ... ..
82404	412	Balance Wheel (two-speed) with two 434c (for use with steam power) for 47K1 and 47K3 Machines ... ..
91002		" " (heavy) with two 434c (for use on stand or foot power) for 47K1 and 47K3 Machines ... ..
7289		Cam Bevel Gear for 47K1 and 47K3 Machines ... ..
92619	413	Face Plate for 92620 ... ..
92620		Face Plate, complete, Nos. 207d, 446c, 82455, 82502, 91062, 92619, 92686 and 92687 for 47K1 Machine ... ..
92732		Face Plate for 92733 ... ..
92733		Face Plate, complete, Nos. 207d, 446c, 82455, 82502, 91062, 92686, 92687 and 92732 for 47K3 Machine ... ..
92621		Feed Bar for 47K1 and 47K3 Machines ... ..
92728		Feed Cam with 446c for 92729 ... ..
92729	418	" " 92728 with 8589 for 47K3 Machine ... ..
92730	418	" " Clutch Collar with 453c for 47K3 Machine ... ..
8589	424	" " " " Engaging Pin for 92729 ... ..
92624	426	Feed Dog for 47K1 Machine ... ..
92625	---	" " " 47K1 " ... ..
92731		" " " 47K3 " ... ..
92635	420	Guide for 47K1 Machine ... ..
92762	420	Oscillating Shuttle Shaft Crank with 1801 for 47K1 Machine ... ..
92657	---	Presser Foot Bracket for 92659, 92661 and 92666 ... ..
92658	---	" " Sole (serrated) for 92659 ... ..
92659	426	Presser Foot (serrated, one long and one short toe), complete, Nos. 92606, 92657 and 92658 for 47K1 Machine ... ..
92660	---	Presser Foot Sole (serrated) for 92661 ... ..
92661	427	Presser Foot (serrated, two long toes), complete, Nos. 92606, 92657 and 92660 for 47K1 Machine ... ..
92665	426	Presser Foot Sole (plain) for 92666 ... ..
92666	426	Presser Foot (plain, two long toes), complete, Nos. 92606, 92657 and 92665 for 47K1 Machine ... ..

## OBSOLETE PARTS

No.	Plate	
92670	421	Shuttle Cylinder for 92676 ... ..
92674	421	" Frame for 92676 ... ..
92672	421	" " Hinge Pin for 92676 ... ..
92676	421	Shuttle (cylinder), complete, Nos. SS103c, 207d and 92669 to 92675 for 47K1 and 47K3 Machines ... ..
92680	415	Shuttle Race with 92682 and 92683 for 92685 ... ..
92681	415	" " Cap for 92685 ... ..
92684	429	" " Loop Spreader for 92685 ... ..
92683	424	" " Retaining Spring Hook for 92680 ... ..
92685	—	Shuttle Race (adjustable), complete, Nos. 401f, 92680, 92681, 92684 and four SS45c for 47K1 Machine ... ..
92782	421	Shuttle Tension Spring for 47K1 Machine ... ..
82445	423	Tension Spring for 82502 ... ..
82446	423	" Washer (felt) for 82502 ... ..
82447	2161	" " (steel) for 82502 ... ..
82448	423	" Wheel for 82502 ... ..
82502	—	<b>Tension</b> , complete, Nos. SS317e, 1560d, 82445, 82448, two each 82446 and 82447 for 92620 and 92733 ... ..
91280	423	Tension Washer for 47K1 Machine ... ..
92686	426	Thread Controller for 92620 and 92733 ... ..
46d	432	" " Lever Hinge Screw for 92802 ... ..
92784	423	Thread Retainer Bracket for 47K1 Machine ... ..
80548	423	" " Spring for 47K1 and 47K3 Machines ... ..
92688	—	Thread Take-up Cam with 446c for 47K1 and 47K3 Machines ... ..
92805	—	" " " " two 446c for 47K1 and 47K3 Machines ... ..
92836	425	" " " " " 446c " 47K1 " 47K3 " ... ..
92831	1011	" " " " " 446c " 47K5 Machine ... ..
92689	—	Thread Take-up Lever for 92690 ... ..
92690	424	" " " 92689 with RR24 and 1519e for 47K1 and 47K3 Machines ... ..
92813	—	" " " for 92803 ... ..
92803	624	" " " 92813 with RR24, SS328c, 1519e and 92814 ... ..
91062	423	" " Spring (heavy) for 92620 and 92733 ... ..
82455	424	" " " Stop Pin for 92620 and 92733 ... ..
92691	—	Throat Plate for 92693 ... ..
92692	423	" " Needle Plate for 92693 ... ..
92693	413	Throat Plate, complete, Nos. 92691, 92692 and two 207d for 92624, for 47K1 Machine ... ..
80766	2161	Top Feed Cam Pitman Hinge Quadrant Bolt for 47K1 and 47K3 Machines ... ..
92765	—	Upright Shaft Bracket for 47K1 Machine ... ..
92766	424	" " " Bevel Pinion with 453c for 47K1 Machine ... ..