

Form 2776w
(641)

Printed in U. S. A.

HISTORICAL COPY

DO NOT REMOVE

SINGER

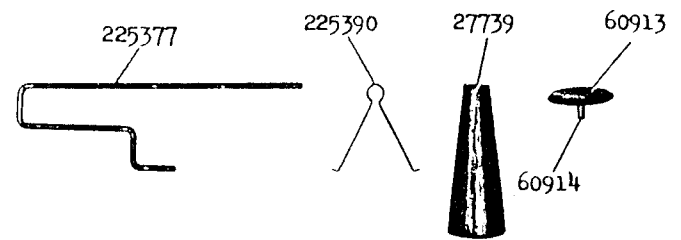
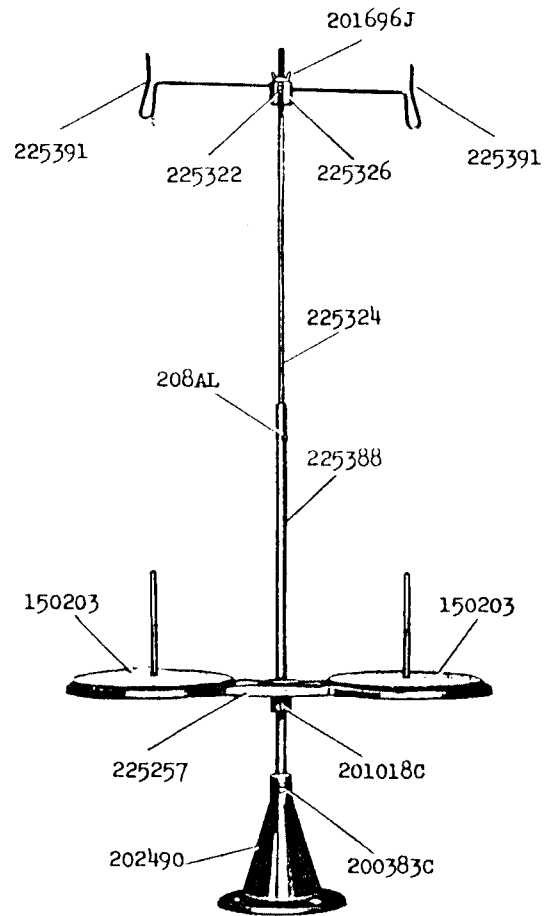
400w102



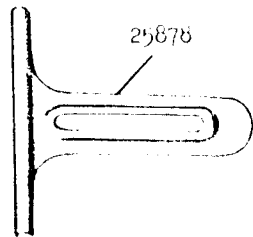
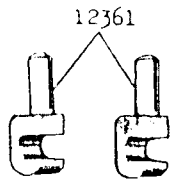
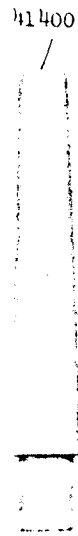
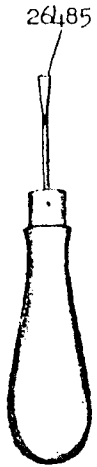
THE SINGER MANUFACTURING COMPANY

17900 - 1/6

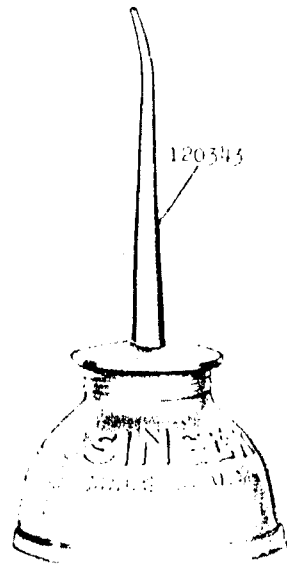
225258



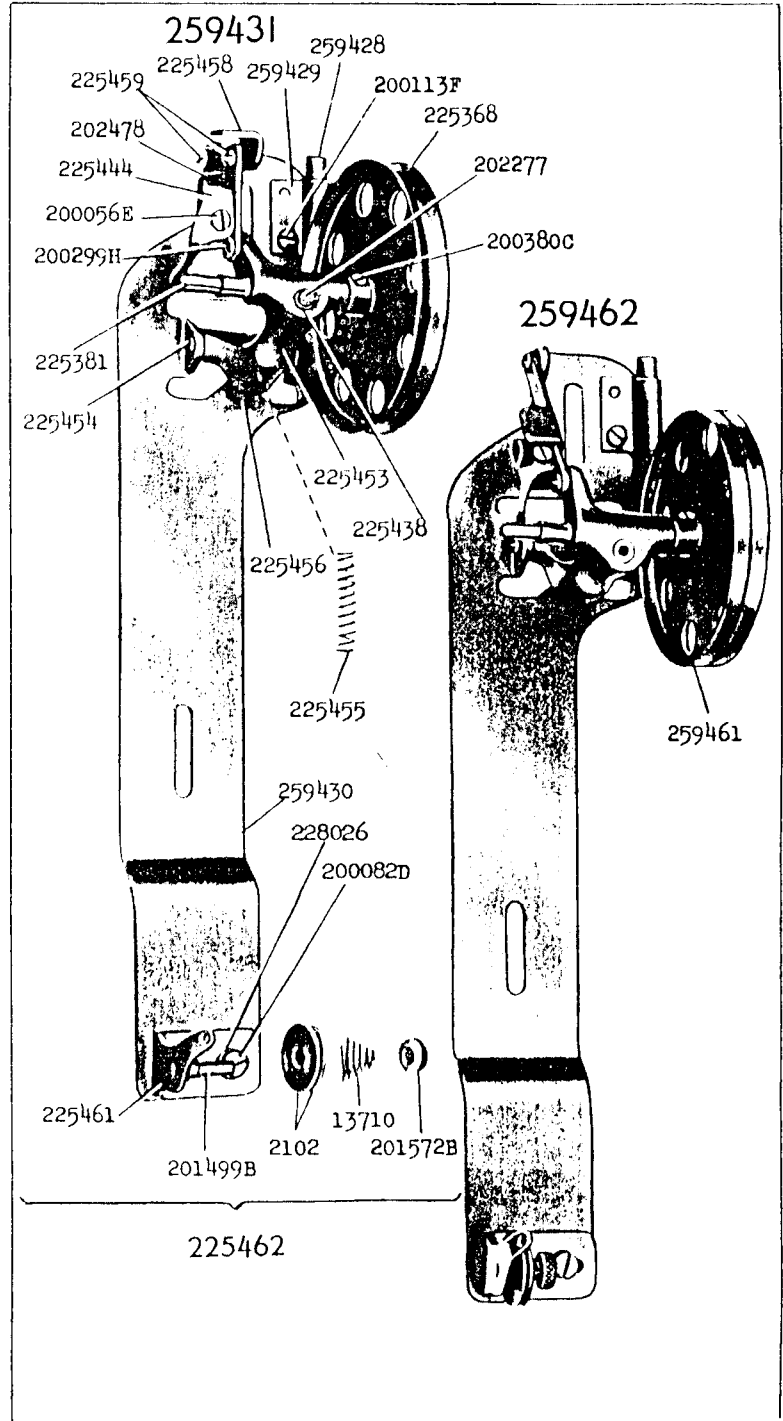
18310 - 1/2



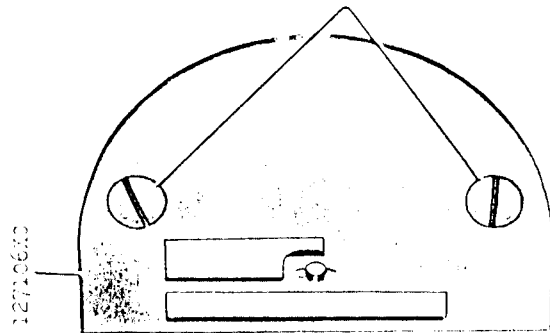
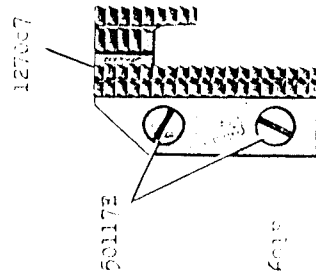
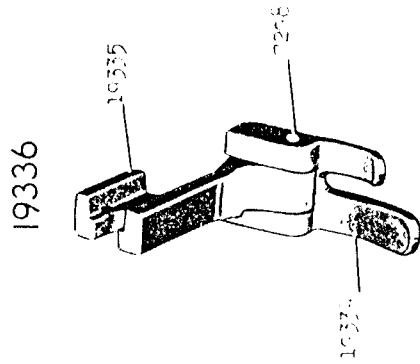
120342



18312 - 3/8

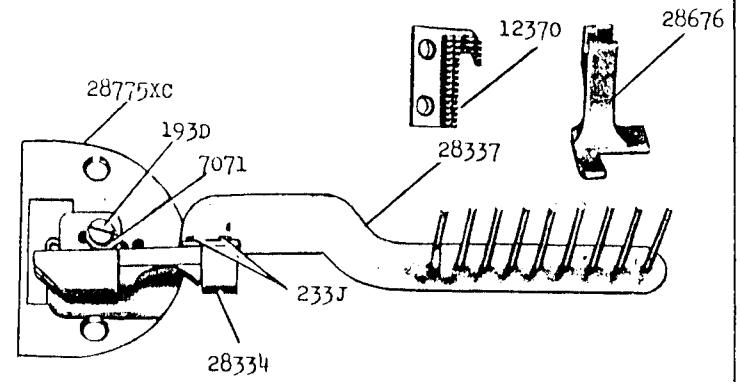


18319

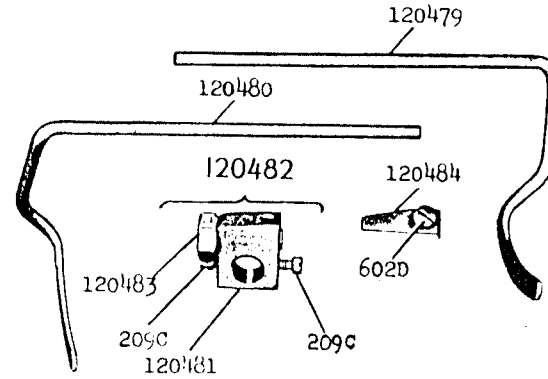


18320 - 1/2

28776



120485



270093



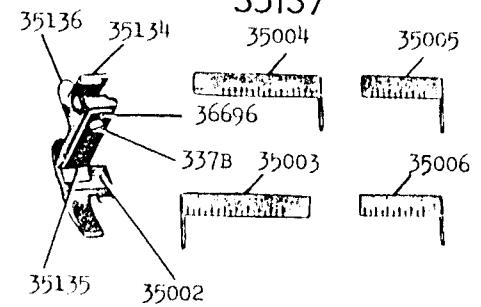
259502



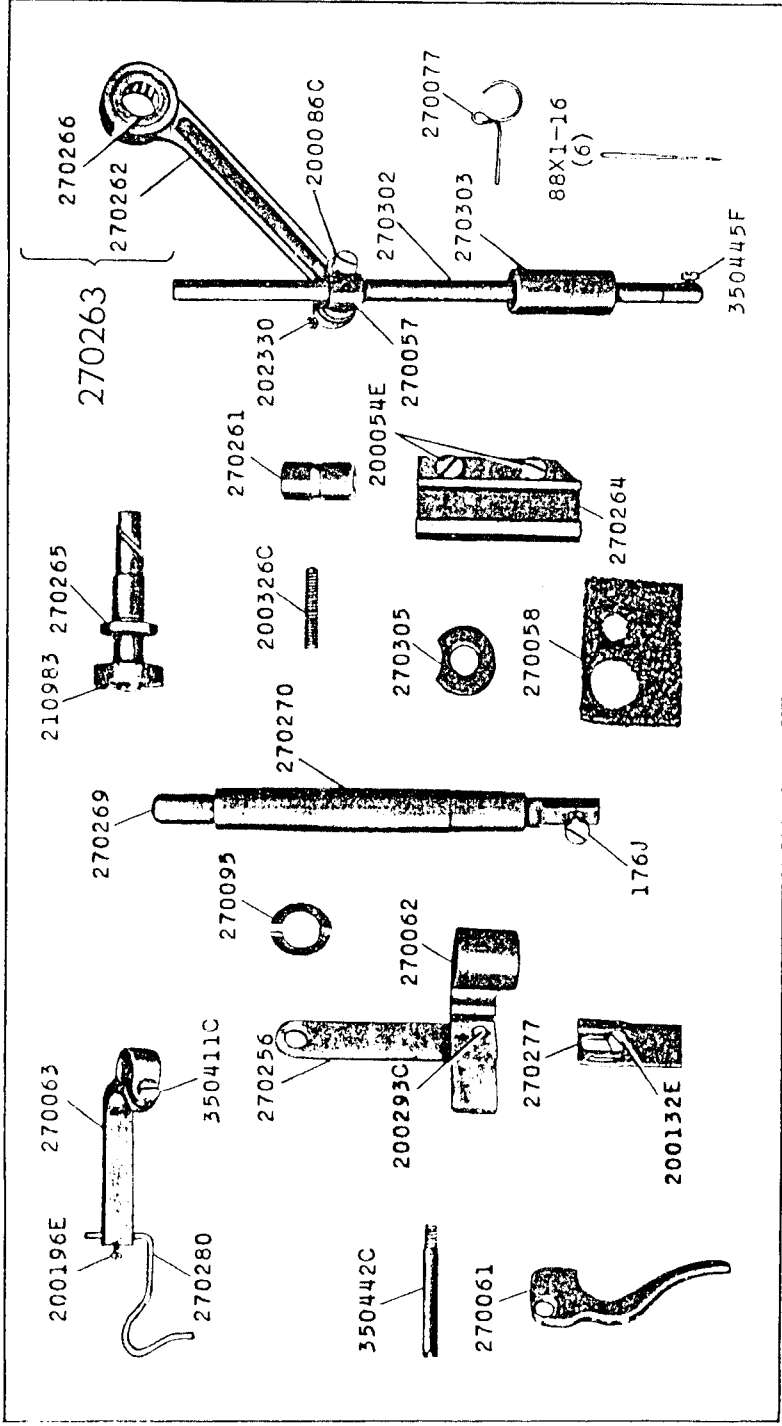
259084



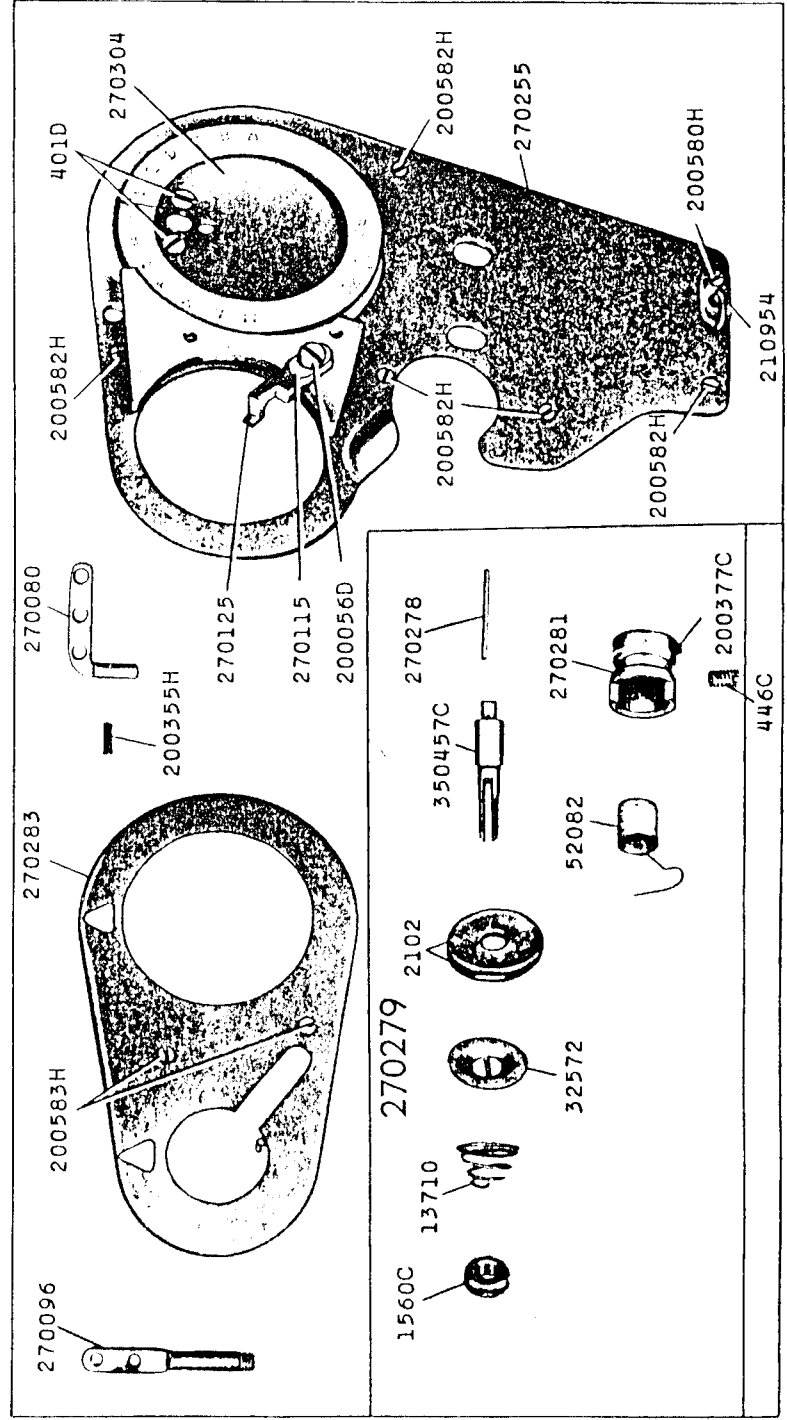
35137



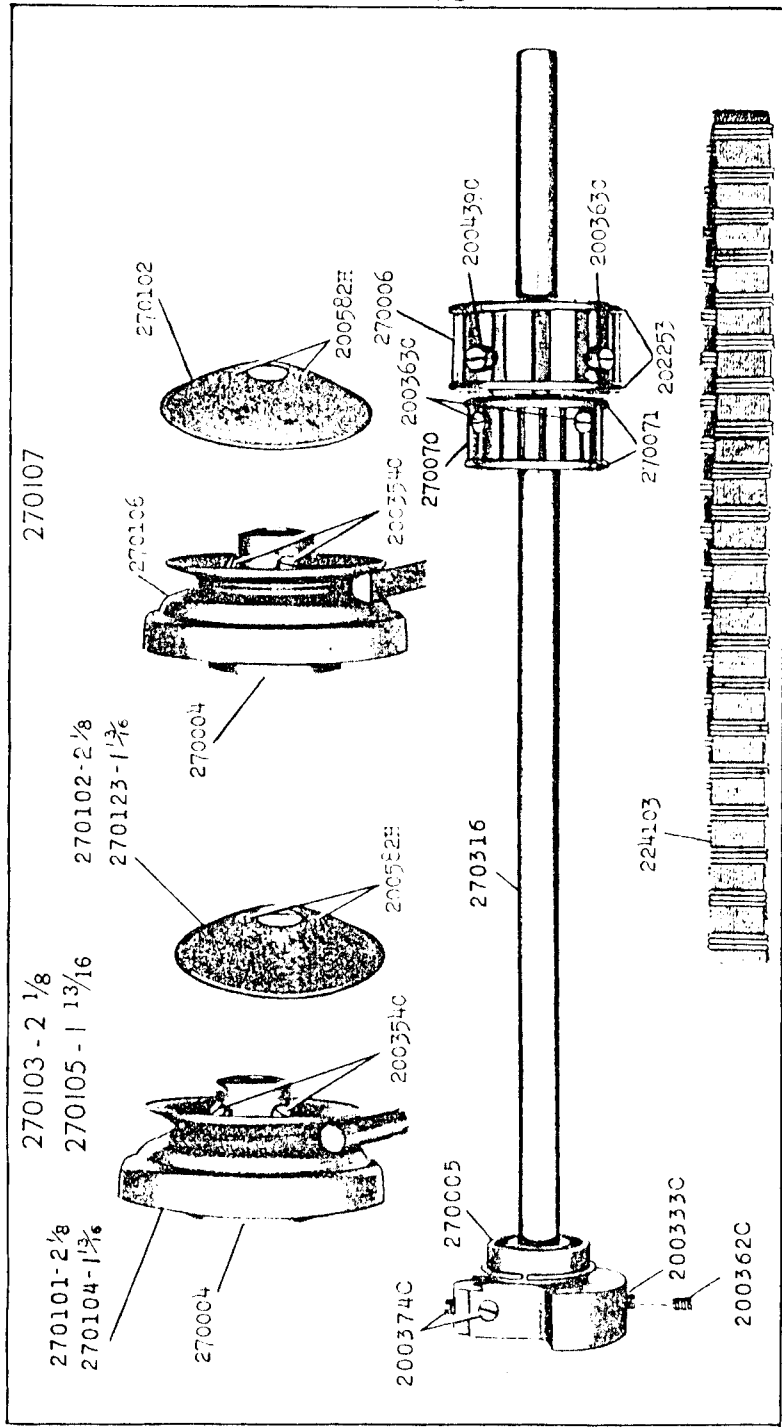
18330 - 1/2



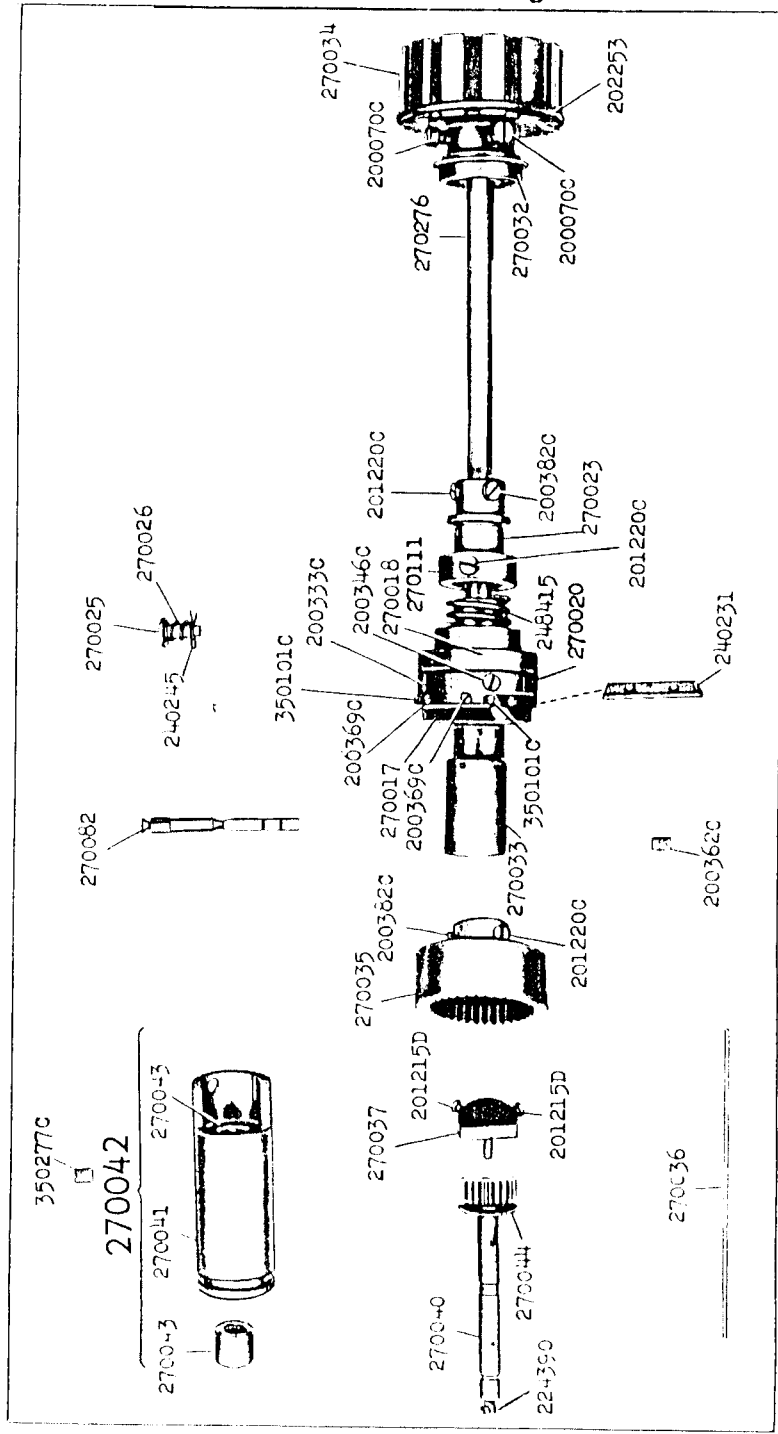
18331 - 1/2

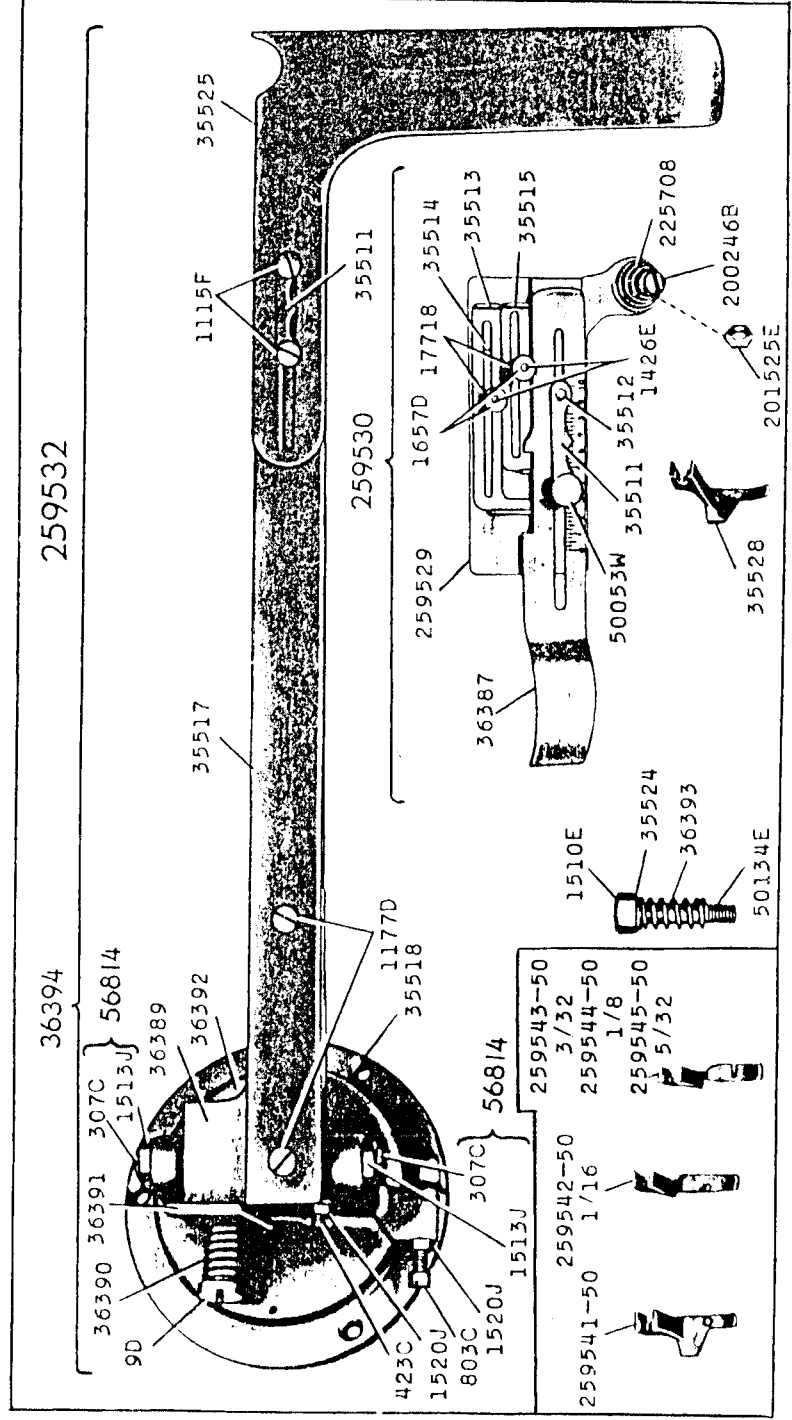
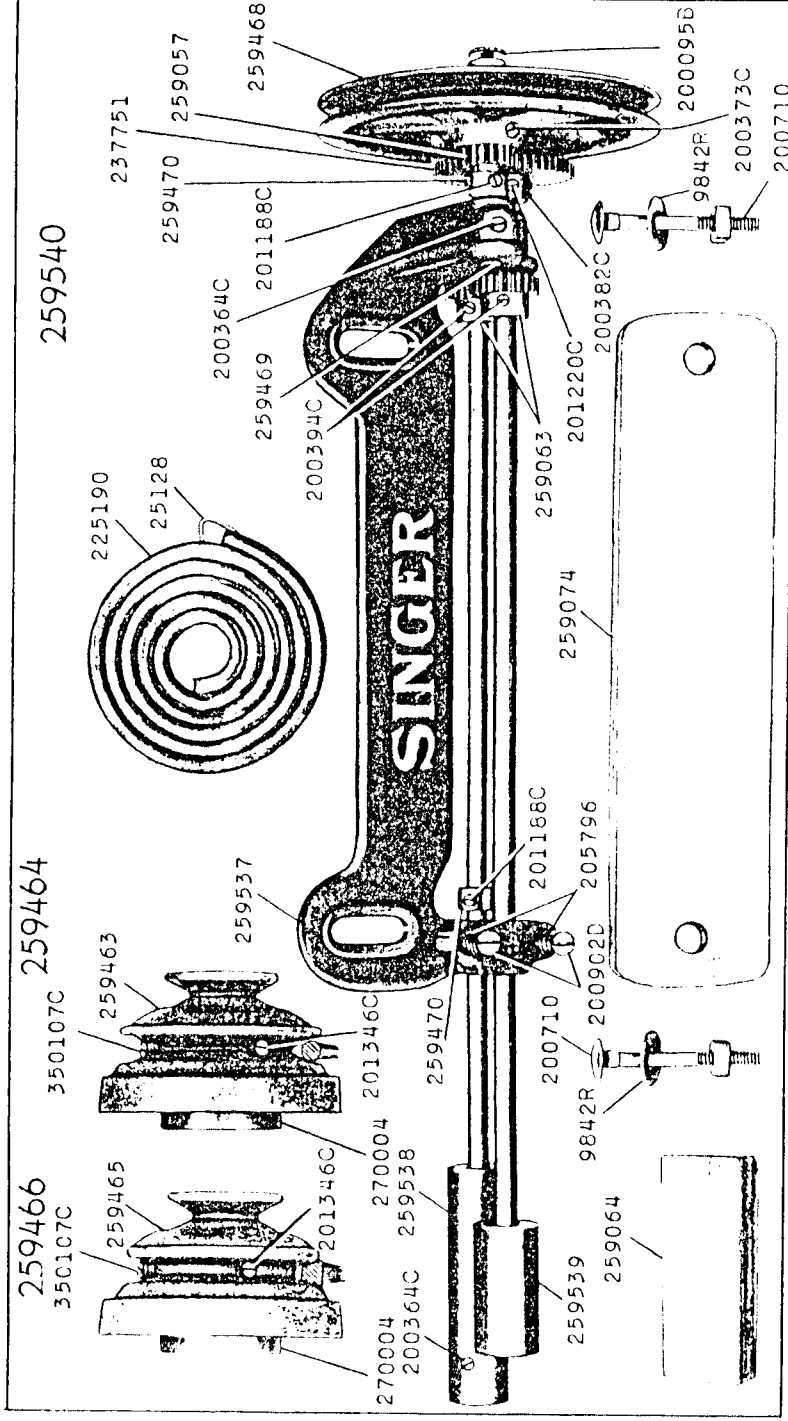


18334 - 3/8

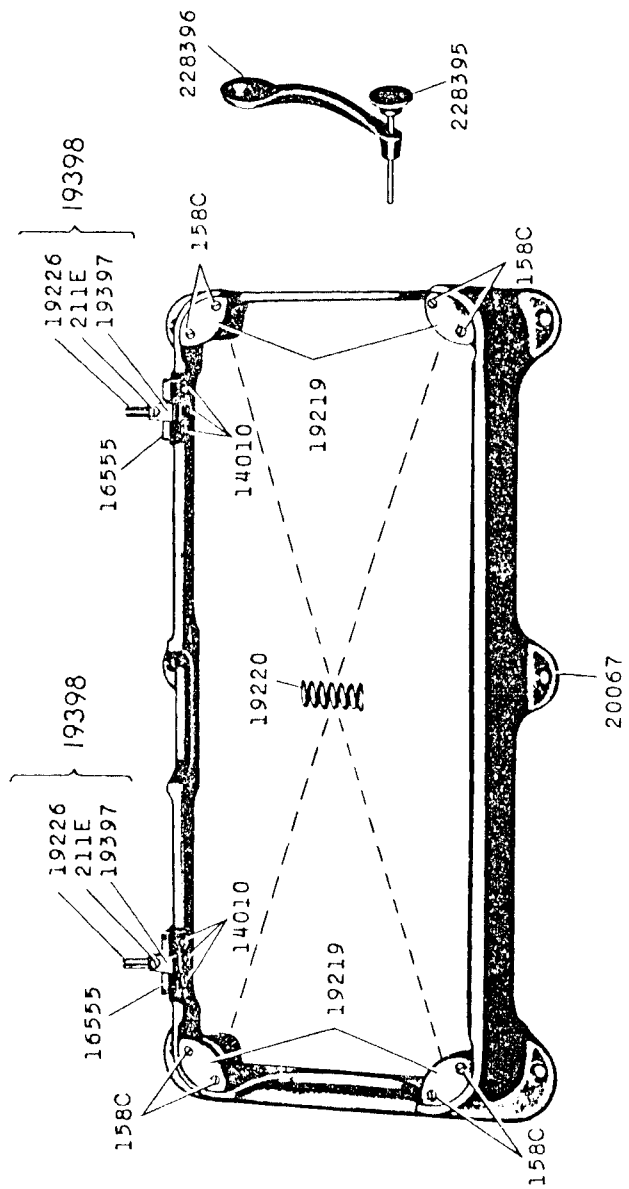


18335 - 3/8

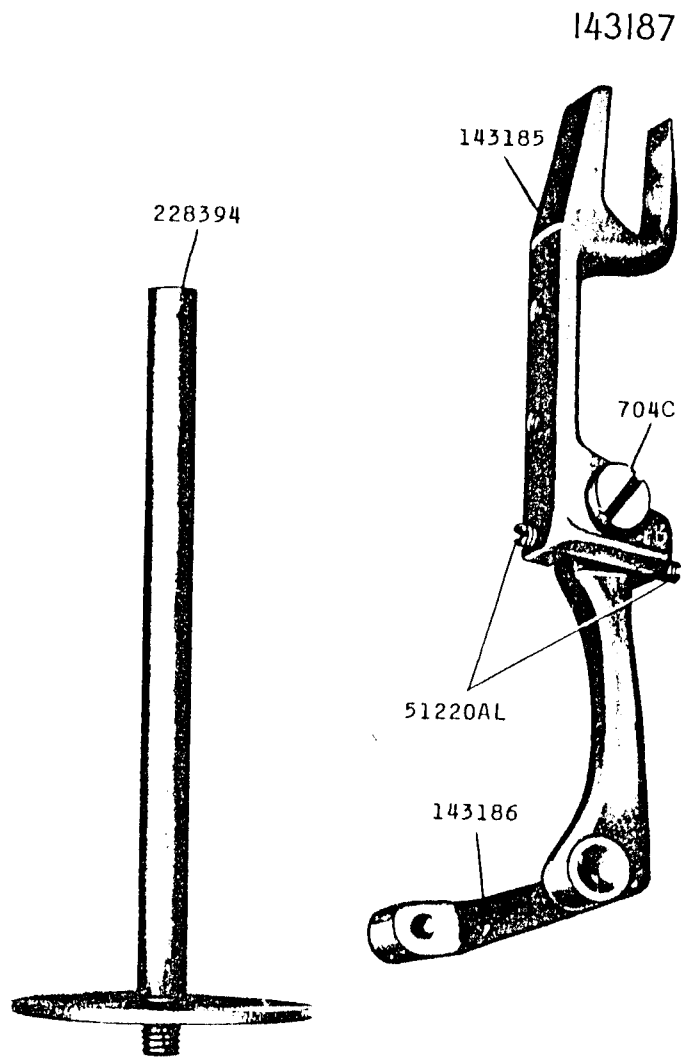


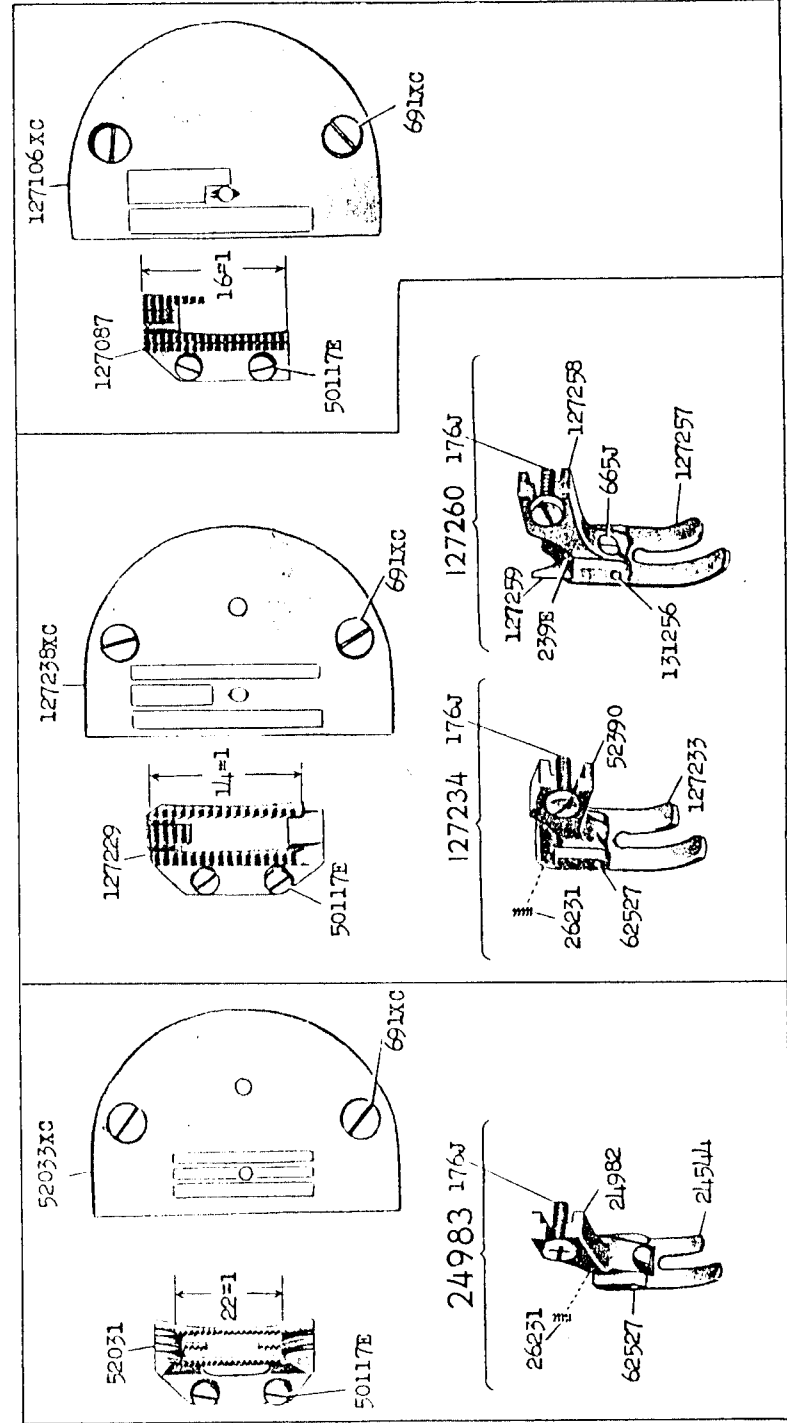
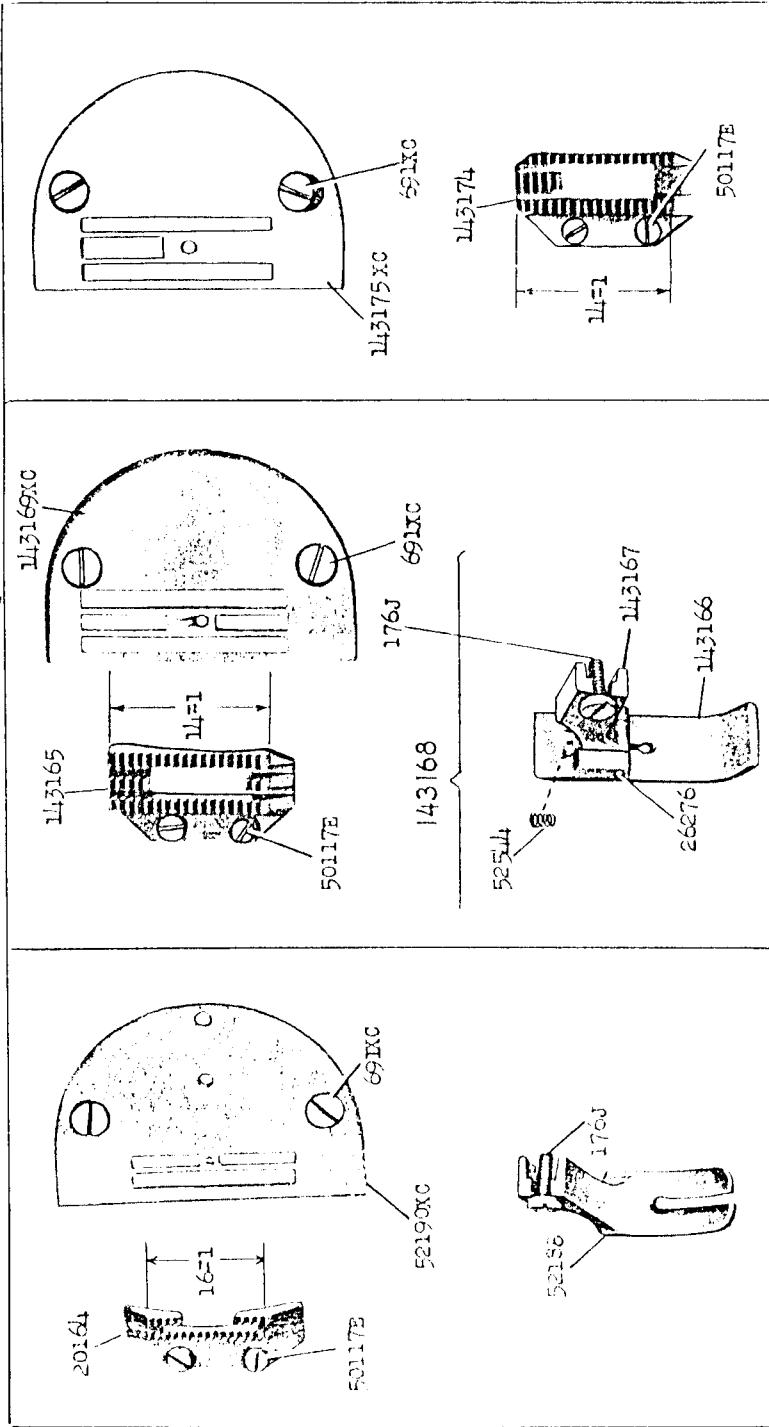


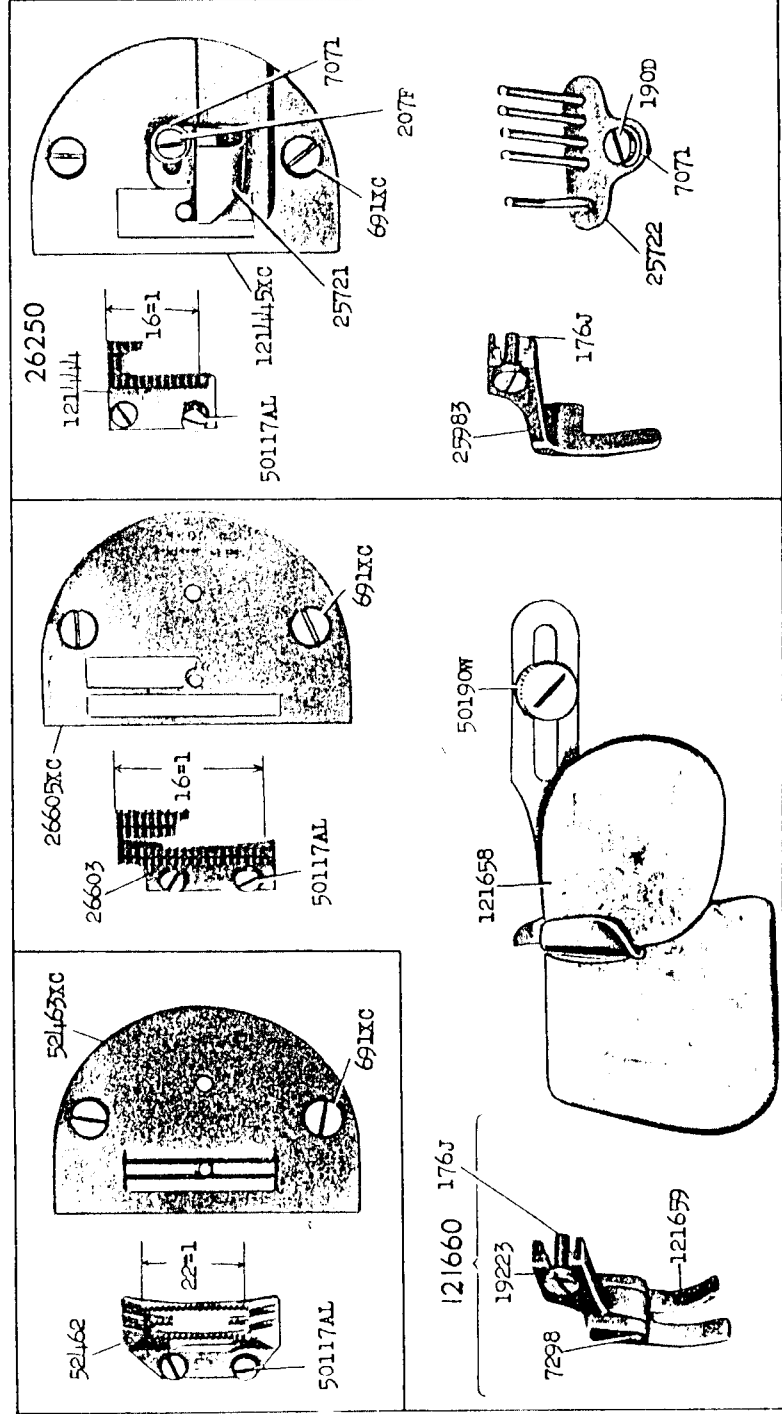
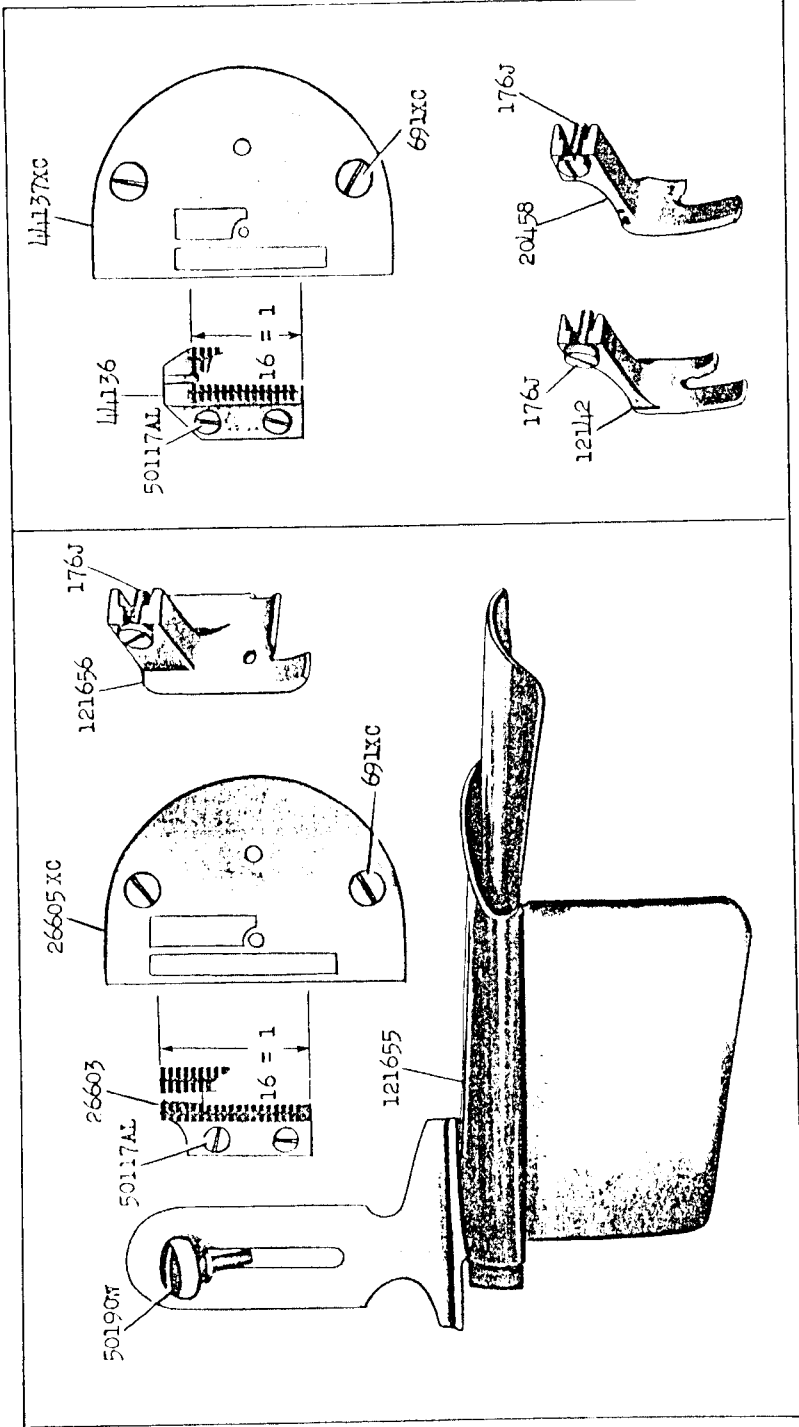
18346 - 1/4



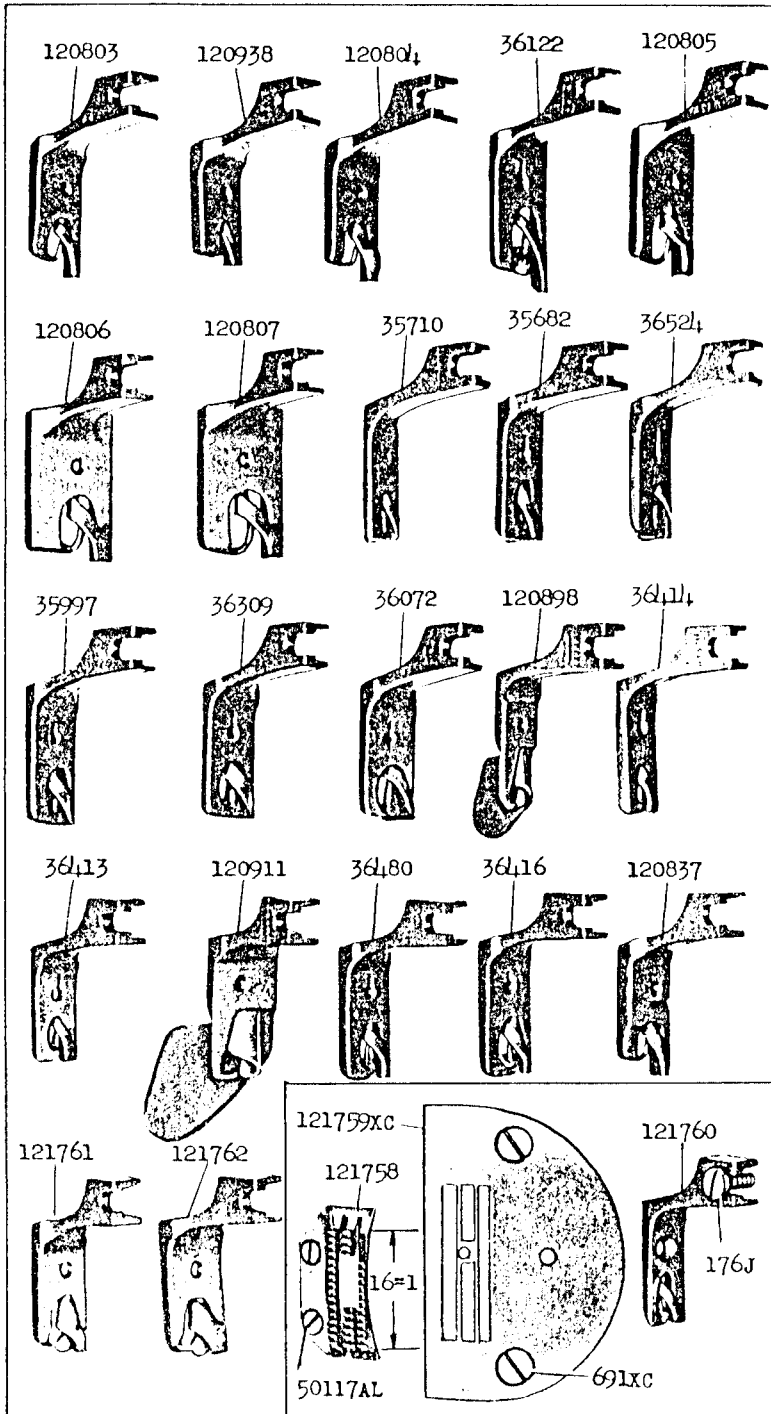
18347







23230 - 2/3



23231 - 2/3

