

**PARTS LISTS**  
FOR  
**SINGER**  
**MACHINES OF**  
**CLASS 271<sub>k</sub>**

NUMERICAL LIST OF PARTS FOR MACHINE 271K1  
(illustrated on opposite page)

NUMBER	DESCRIPTION	NUMBER	DESCRIPTION	NUMBER	DESCRIPTION
157	Screw	23390	Washer	271665	Spring
161	Screw (2)	23460	Knife Bar	271666	Bracket for 271667
168	Screw (2)	32012	Tension Disc (2)	271667	Thread Check complete, 208, 9544, 9545-001, 271666 and two 9543 for 271548
190	Screw (2)	32572	Releasing Disc		
191	Screw (2)	39635	Releasing Pin	271691	Spring
200	Set Screw for 271916	39652	Spring for 271658	271692	Thread Guide for 271548
208	Screw for 271667	40043	Collar with 209 (2)	271693	Lower Thread Guide (side of arm)
209	Screw for 40043 (2)	51570	Thumb Nut		
212	Screw	140050	Screw	271700	Take-up Spring Regulator 350060, for 271658
237	Screw for 271700	140490	Set Screw for 271428	271701	Oil Seal Ring (rubber) for 271658
330	Screw for Face Plate (lower)	141087	Set Screw (2)	271744	Thread Eyelet (double)
336	Set Screw for 271835	241189	Oil Packing Wick for 271603	271773	Arm Top Cover Plate
446	Set Screw	249544	Knife Bar Stop	271781	Upper Thread Guide (side of arm)
460	Set Screw	249545	Retainer Plate	271782	Lever Bracket
974	Screw	249687	Tension Releaser Rod	271835	Needle Bar 271596 with 336 Knife, 1/2"
1019	Set Screw	270200	Oiling Wick for 271603	271901	Connecting Stud with 1319
1043	Screw Stud for 271658	271408	Automatic Knife	271915	Tension Releaser with 200
1239	Cap Screw		Disengaging Lever	271916	Knife Holder
1319	Clamping Screw for 271915	271410	Thread Guide for 271408	271919	Barring Point
1423	Screw for 271548	271428	Balance Weight with 140490	271929	Oiling Felt
1443	Guide Screw	271440	Needle Bar Frame with 241189, 270200, 271610 and 271611	271974	Screw Stud
1517	Nut		Guide Stud (upper)	350399	Socket Screw for 271602
1547	Nut		Guide Stud (lower)	350713	1526 (71x1Y) Needle, Chromium Finish, Size 14
1560	Thumb Nut for 271658	271442	Sleeve		
1608	Nut	271443	Collar with two 141087		
1664	Lock Nut	271444	Thread Guide for 271408		
1698	Nut	271445	Spring		
2102	Tension Disc for 271658 (2)	271472	Face Plate for 271548		
8238	Spring for 271658	271494	Face Plate 271547 with 1423, 271667 and 271692		
9543	Disc for 271667 (2)	271547	Needle Bar for 271835		
9544	Cap for 271667	271548	Connecting Stud with 350713		
9545-001	Spring for 271667		Oiling Felt (lower)		
		271596	Oiling Felt (upper)		
		271602	Oiling Felt for 271603		
		271606	Felt Retainer for 271603		
		271607	Tension complete, 1043, 1560, 8238, 39652, 271700, 271701 and two 2102		
		271610			
		271611			
		271658			

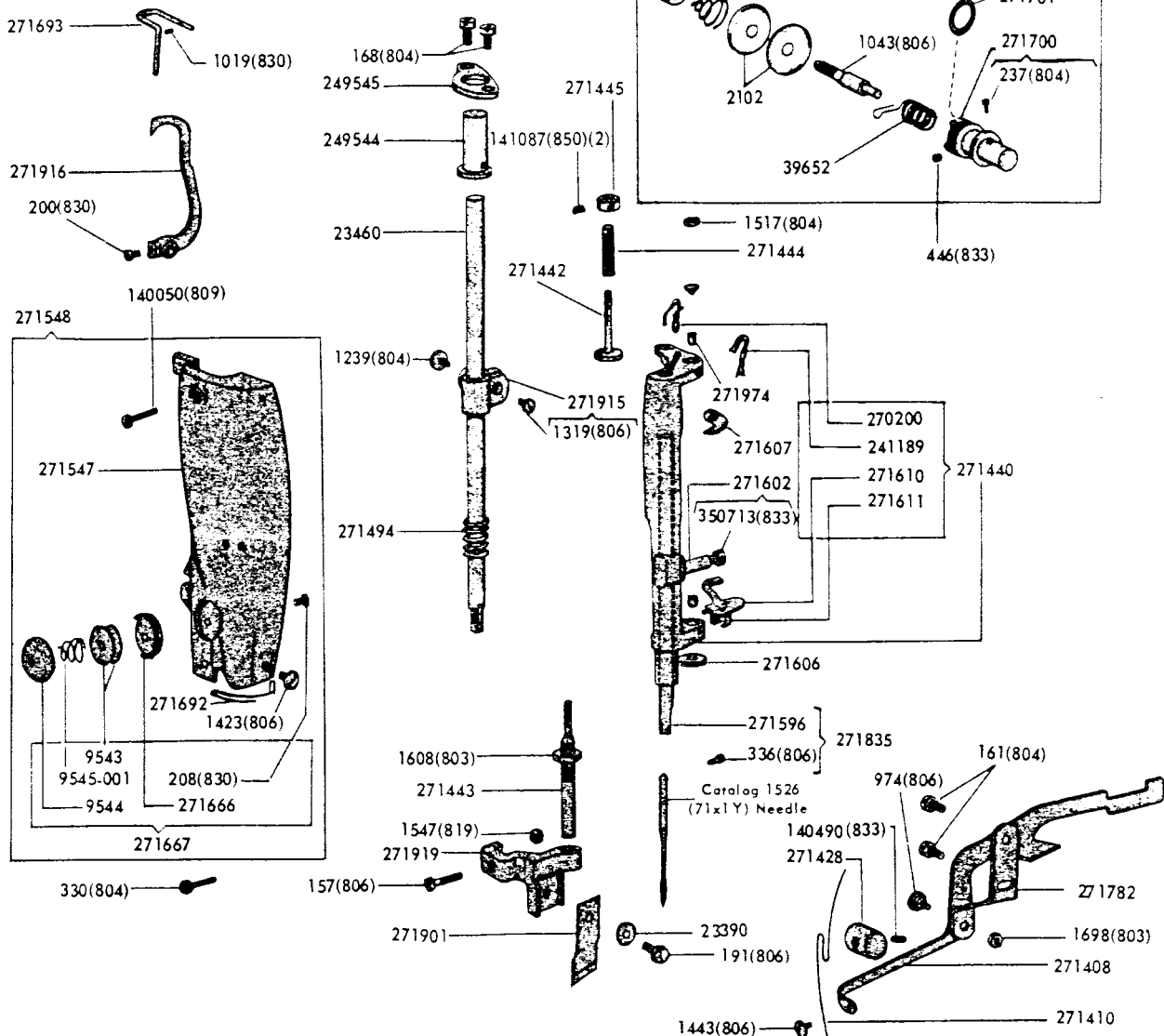
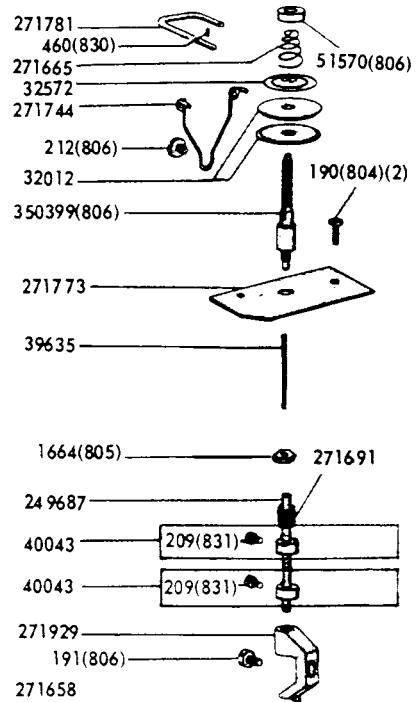
# PARTS FOR MACHINE 271K1

(See Numerical List on opposite page)

## STYLE OF FINISH:

When ordering screws, nuts and similar parts include new code numbers which follow part numbers on illustrations.

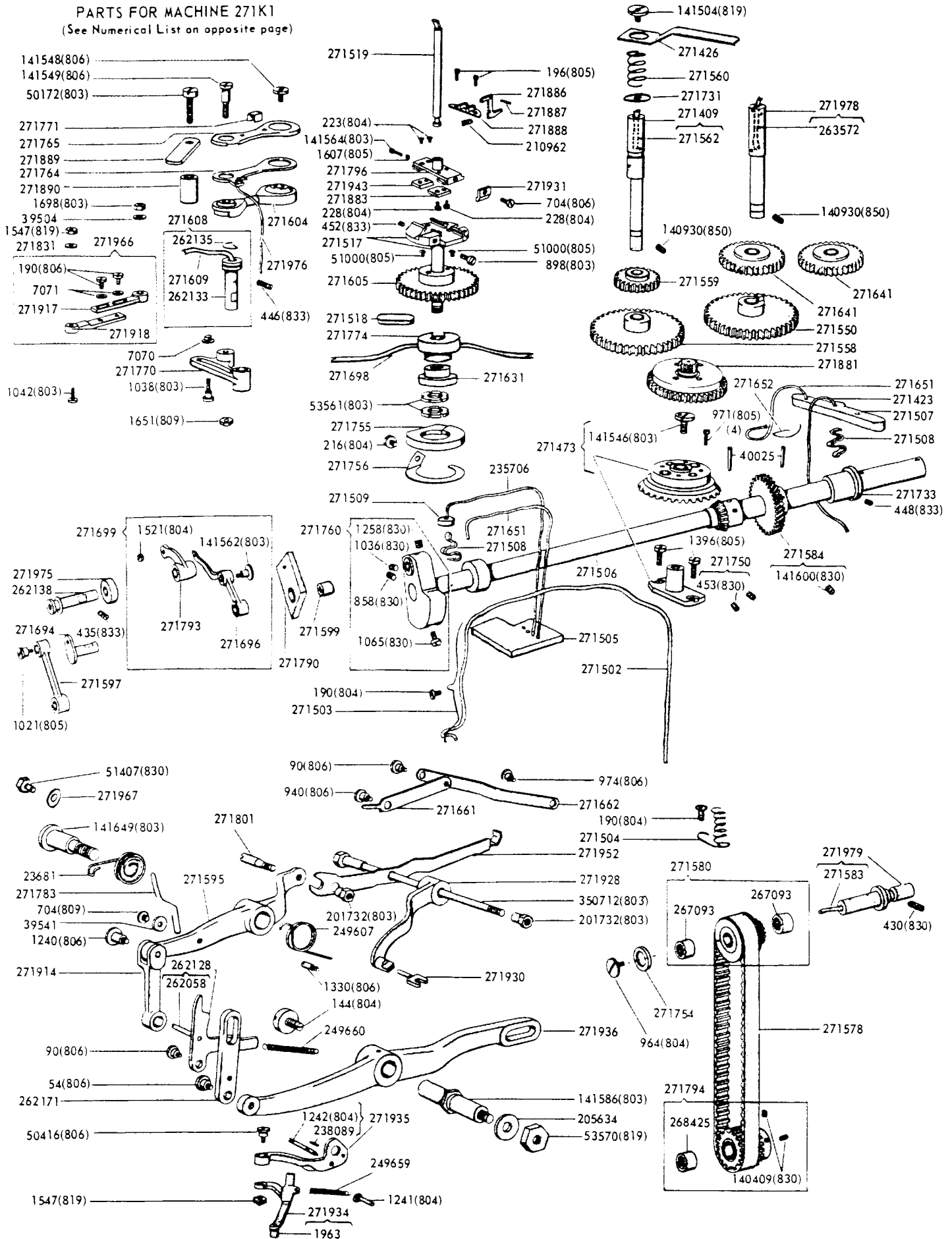
NEW CODE	OLD CODE	FINISH
801	A	Hardened, polished, nickel plated and buffed
802	B	Polished, nickel plated and buffed
803	C	Hardened only
804	D	Polished only
805	E	Soft, not polished
806	F	Hardened and polished
809	J	Nickel plated only
813	R	Phosphate coating formed on surface of iron or steel
819	X	Black oxide for iron and steel
830	A. L.	Heat treated for toughness
831	A. L. D.	Heat treated for toughness and polished
833	A. L. X.	Heat treated for toughness and black oxide
850	X. C.	Hardened and black oxide for iron and steel



**NUMERICAL LIST OF PARTS FOR MACHINE 271K1**  
(illustrated on opposite page)

NUMBER	DESCRIPTION	NUMBER	DESCRIPTION	NUMBER	DESCRIPTION
54	Hinge Screw	249607	Lever Spring	271694	Take-up Crank
90	Hinge Screw (2)	249659	Catch Spring	271696	Take-up Lever for 271699
144	Cap Screw	249660	Lever Spring	271698	Oiling Wick
190	Screw (4)	262058	Screw Stud for 262128	271699	Thread Take-up complete, 1521, 141562, 271696 and 271793
196	Clamping Screw (2)	262128	Knife Bar Disengaging Lever with 262058	271731	Washer
216	Retainer Screw	262133	Hinge Stud for 271608	271733	Bushing (back)
223	Screw (2)	262135	Wick Retainer for 271608	271750	Feed Driving Bevel Pinion with two 453
228	Screw (2)	262138	Hinge Pin	271754	Thrust Washer
430	Stud Screw	262171	Connecting Link	271755	Oiling Felt (lower)
435	Screw	263572	Oil Packing Wick	271756	Felt Retainer
446	Set Screw	267093	Needle Bearing for 271580 (2)	271760	Needle Bar Crank with 858, 1036, 1065 and 1258
448	Set Screw	268425	Needle Bearing for 271794	271764	Oiling Felt
452	Set Screw	271409	Eccentric Stud with 271562	271765	Felt Retainer
453	Set Screw (2)	271423	Oiling Wick	271770	Needle Bar Frame Regulator
704	Screw (2)	271426	Stitch Regulating Gear Retainer	271771	Retainer Clamp
858	Set Screw for 271760	271473	Gear Bracket with Feed Driving Bevel Gear and 141546	271774	Bushing (upper)
898	Screw	271502	Oil Wick	271783	Upper Thread Pull-off
940	Screw (connection, front)	271503	Wick Retainer	271790	Oiling Felt
964	Cap Screw	271504	Spring	271793	Link for 271699
971	Screw (4)	271505	Oiling Felt	271794	Connection Belt Pulley with 268425 and two 140409
974	Screw	271506	Arm Shaft	271796	Barring Slide
1021	Cap Screw	271507	Oiling Felt	271801	Screw Stud
1036	Position Screw for 271760	271508	Oil Pack Wick (2)	271831	Washer
1038	Adjusting Screw	271509	Oiling Felt	271881	Feed Driving Pinion
1042	Hinge Screw	271517	Barring Shaft	271883	Barring Slide Operating Plate (stationary)
1065	Position Screw for 271760	271518	Oiling Felt	271886	Barring Trip Lever
1240	Hinge Screw	271519	Barring Slide Operating Rod	271887	Hinge Pin
1241	Screw Stud	271550	Feed Driving Gear, 64 Teeth	271888	Lever Plate
1242	Screw for 271935	271558	Feed Ratchet Gear (lower), 70 teeth	271889	Tripping Point
1258	Set Screw for 271760	271559	Feed Ratchet Gear (upper), 32 teeth	271890	Tripping Point Spacer
1330	Screw Stud	271560	Compression Spring	271914	Connecting Link
1396	Bracket Screw (2)	271562	Oil Packing Wick for 271409	271917	Pitman (regulator end) for 271966
1521	Nut	271578	Hook Driving Connection Belt (neoprene)	271918	Pitman (hinge screw end) for 271966
1547	Nut (2)	271580	Belt Pulley with 267093	271928	Barring Lever Stud
1607	Nut	271583	Oil Packing Wick for 271979	271930	Barring Slide Stop
1651	Nut	271584	Belt Pulley Gear with 141600	271931	Lever Catch with 1963
1698	Nut	271595	Knife Bar Driving Lever	271934	Catch Bracket with 1242 and 238089
1963	Roller and Stud for 271934	271597	Connecting Link	271935	Knife Bar Driving Lever (intermediate)
7070	Screw Sleeve	271599	Oiling Felt Washer	271936	Adjustable Plate
7071	Washer (2)	271604	Needle Bar Frame Connection	271943	Starting Lever Safety
23681	Spring	271605	Needle Bar Frame Driving Gear	271952	Adjustable Pitman complete, 271917, 271918 and two each 190 and 7071
39504	Washer	271608	Hinge Stud 262133 with 262135 and 271609	271966	Washer
39541	Washer	271609	Oil Wick for 271608	271975	Oiling Felt
40025	Position Pin (2)	271631	Bushing (lower)	271976	Oiling Wick
50172	Lock Screw	271641	Stitch Regulating Gear, 45 teeth (2)	271978	Eccentric Stud with 263572
50416	Hinge Screw	271651	Oil Wick (2)	271979	Eccentric Stud with 271583
51000	Screw (2)	271652	Wick Clamp	350712	Hinge Screw
51407	Screw	271661	Releasing Lever		
53561	Lock Nut (2)	271662	Lever Connection		
53570	Nut				
140409	Socket Screw for 271794 (2)				
140930	Set Screw (2)				
141504	Cap Screw				
141546	Cap Screw for 271473				
141548	Cap Screw				
141549	Hinge Screw				
141562	Screw for 271699				
141564	Adjusting Screw				
141586	Screw Stud				
141600	Lock Screw for 271584				
141649	Hinge Screw				
201732	Nut (2)				
205634	Washer				
210962	Lever Spring				
235706	Oil Wick				
238089	Position Pin for 271935				

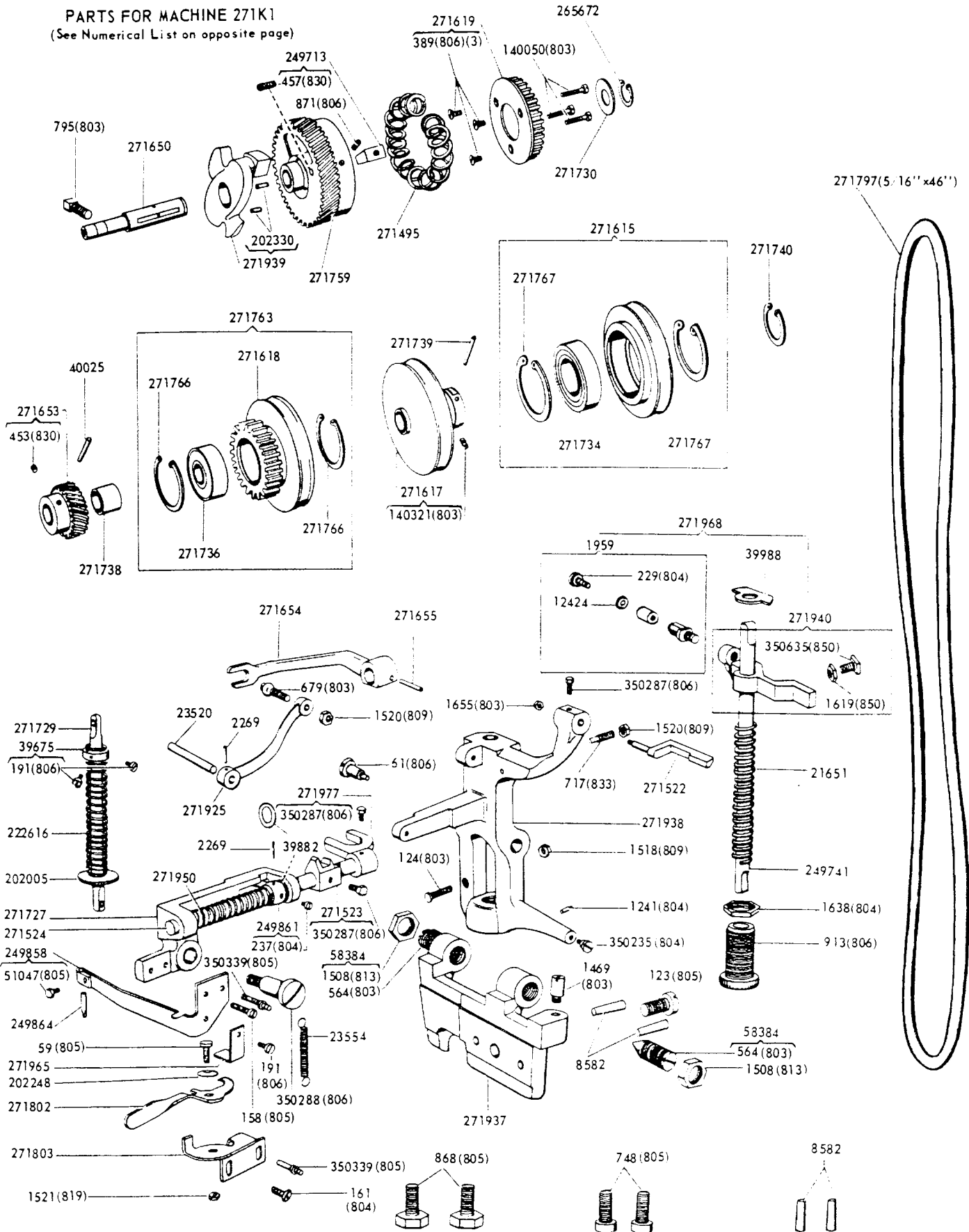
**PARTS FOR MACHINE 271K1**  
(See Numerical List on opposite page)



NUMERICAL LIST OF PARTS FOR MACHINE 271K1  
(illustrated on opposite page)

NUMBER	DESCRIPTION	NUMBER	DESCRIPTION	NUMBER	DESCRIPTION
59	Hinge Screw	39675	Collar with two 191	271727	Belt Shifter Shaft Bracket
61	Hinge Screw	39882	Washer (nylon)	271729	Starting Lever Rod
123	Screw	39988	Washer (nylon)	271730	Washer
124	Stop Screw	40025	Position Pin	271734	Ball Bearing for 271615
158	Screw	51047	Pinch Screw for 249858	271736	Ball Bearing for 271763
161	Screw	58384	Screw Center 564 with	271738	Spacer
191	Screw (3)		1508 (2)	271739	Spiral Pin
229	Screw	140050	Screw (3)	271740	Retaining Ring
237	Screw	140321	Set Screw	271759	Stop Cam Gear
389	Screw (3)	202005	Washer	271763	Positive Drive Pulley
453	Set Screw	202248	Washer		271618 with 271736 and
457	Set Screw for 249713	202330	Oil Packing Wick for		two 271766
564	Screw Center for 58384 (2)		271939 (2)	271766	Retaining Ring for
679	Screw Stud	222616	Lever Spring		271763 (2)
717	Screw	249713	Stop Screw Block	271767	Retaining Ring for
748	Screw (Arm, back) (2)		with 457		271615 (2)
795	Set Screw	249741	Interlocking Rod	271797	Machine Driving Belt
868	Screw (Arm, front) (2)	249858	Bracket Extension with		(endless) 5.16" diameter,
871	Stop Screw		51047		46" long
913	Thumb Screw	249861	Collar with 237	271802	Slow-speed Adjusting
1241	Screw Stud	249864	Trip Stud		Lever
1469	Screw Stud	265672	Retaining Ring	271803	Lever Bracket
1508	Nut (2)	271495	Spring	271925	Crank
1518	Nut	271522	Belt Shifter Operating	271937	Starting Lever Bracket
1520	Nut (2)		Actuator	271938	Starting Lever
1521	Nut	271523	Actuator Block with 350287	271939	Stop Cam with two 202330
1619	Lock Nut for 271940	271524	Belt Shifter Shaft	271940	Guide with 1619 and
1638	Nut	271615	Loose Pulley with 271734		350635, for 271968
1655	Lock Nut		and two 271767	271950	Spring
1959	Roller and Screw Stud	271617	Tight Pulley with 140321	271965	Bracket Stop
	with 229 and 12424 for	271618	Positive Drive Pulley	271968	Interlocking Rod Guide
	271968		for 271763		271940 with 1959
2269	Pin (2)	271619	Gear with Cam Spring	271977	Belt Shifter with 350287
8582	Dowel Pin (4)		Cover and three 389	350235	Hinge Screw (back)
12424	Washer	271650	Gear Stud	350287	Set Screw (3)
21651	Spring	271653	Stop Cam Pinion with 453	350288	Hinge Screw
23520	Tension Releaser Shaft	271654	Releaser Arm	350339	Screw Stud (2)
23554	Spring	271655	Spiral Pin	350635	Set Screw for 271940

**PARTS FOR MACHINE 271K1**  
(See Numerical List on opposite page)

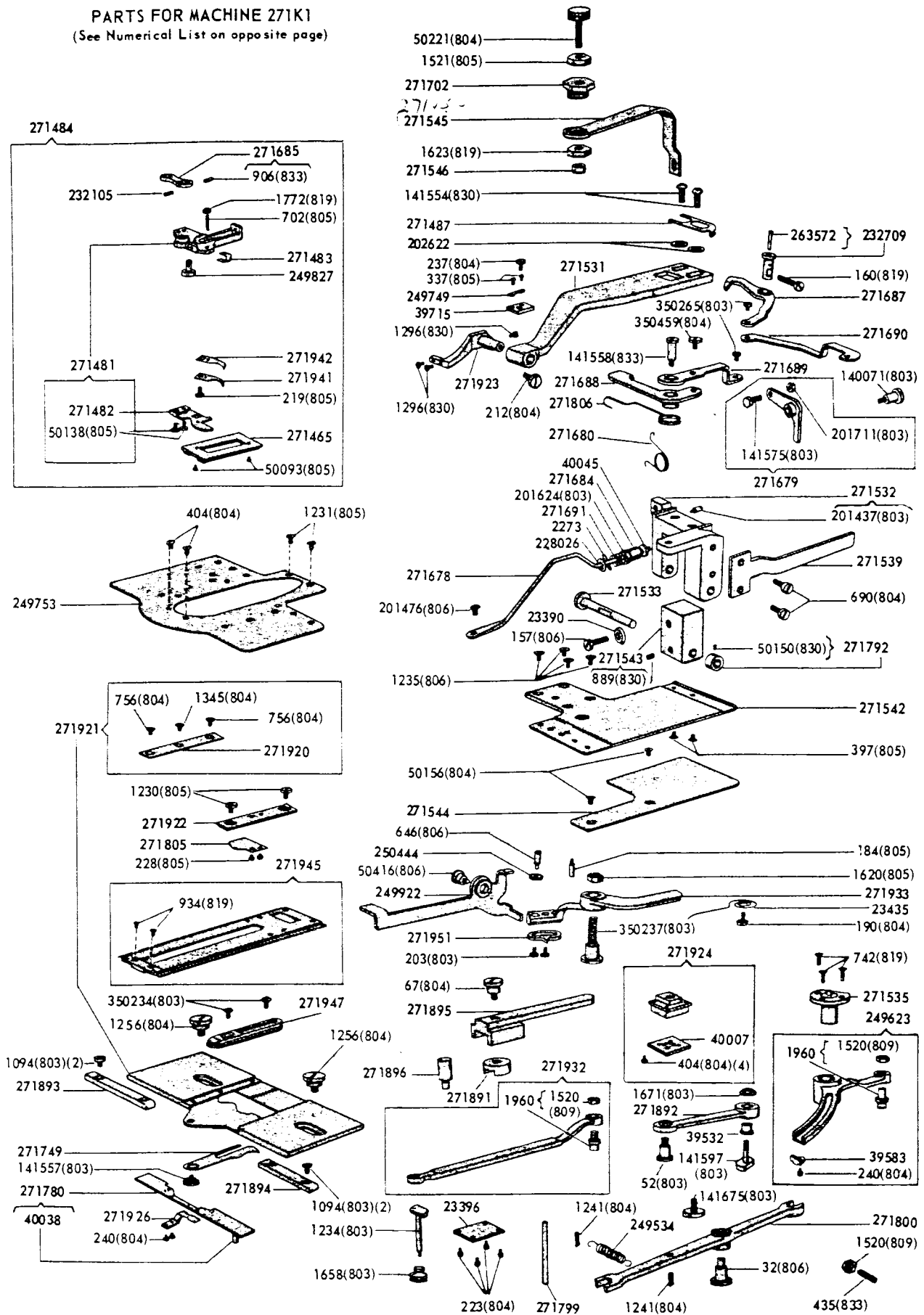


**NUMERICAL LIST OF PARTS FOR MACHINE 271K1**  
(illustrated on opposite page)

NUMBER	DESCRIPTION	NUMBER	DESCRIPTION	NUMBER	DESCRIPTION
32	Hinge Screw	50138	Screw for 271481 (2)	271546	Thumb Screw Rest
52	Hinge Screw	50150	Set Screw for 271792	271678	Cutting Blade Connecting Rod
67	Regulator Screw	50156	Support Screw (2)	271679	Latch with 141575 and 201711
157	Screw	50221	Thumb Screw	271680	Latch Spring
160	Set Screw	50416	Hinge Screw	271684	Adjustable Stop
184	Stop Screw	140071	Hinge Screw	271685	Crank with 906, for 271484
190	Screw	141554	Screw (2)	271687	Cam Follower
203	Screw (2)	141557	Hinge Screw	271688	Cutting Lever
212	Screw	141558	Hinge Screw	271689	Adjustable Connection
219	Screw for 271484	141575	Releasing Screw for 271679	271690	Connection Link
223	Screw (4)	141597	Regulator Screw Stud	271691	Spring
228	Screw (2)			271702	Thumb Screw Sleeve
237	Screw	141675	Cap Screw	271749	Lower Thread Pull-off
240	Screw (3)	201437	Screw Stud for 271532	271780	Cutting Blade Carrier with 40038
337	Adjusting Screw (2)	201476	Hinge Screw	271792	Collar with 50150
397	Screw (2)	201624	Lock Nut	271799	Oil Supply Tube (brass) for Machine Bed
404	Screw (6)	201711	Nut for 271679	271800	Lever
435	Screw	202622	Washer (2)	271805	Friction Plate
646	Screw Stud	228026	Washer	271806	Return Spring
690	Screw (2)	232105	Crank Pin for 271484	271891	Socket Joint
702	Adjusting Screw	232709	Hinge Stud with 263572	271892	Connecting Rod
742	Bearing Screw (3)	249534	Lever Spring	271893	Slide Guide (left)
756	Screw (2)	249623	Clamp Carrier Regulator with 240, 1960 and 39583	271894	Slide Guide (right)
889	Set Screw for 271543			271895	Clamp Carrier Slide Lever Regulator
906	Set Screw for 271685	249749	Friction Plate	271896	Bushing
934	Screw (2)	249753	Clamp Carrier Plate	271920	Left Guide for 271921
1094	Screw (4)	249827	Cutting Blade Shaft for 271484	271921	Clamp Carrier Slide with 1345, 271920 and two 756
1230	Screw (Right Guide) (2)			271922	Right Guide for Clamp Carrier
1231	Screw (Plate, back) (2)	249922	Stop Lever	271923	Holder (used with 271481)
1234	Regulating Stud	250444	Washer	271924	Clamp Carrier Block with 40007 and four 404
1235	Screw (4)	263572	Oil Packing Wick	271926	Lower Thread Cutting Blade
1241	Screw Stud (2)	271465	Mat Housing (with 3/32" rubber) for 271484	271932	Slide Lever with 1960
1256	Slide Screw (2)			271933	Tripping Lever
1296	Screw (3)	271481	Clamp Check with 141662, 271482 and two 50138	271941	Upper Thread Clamping Blade for 271484
1345	Screw for 271921			271942	Upper Thread Cutting Blade for 271484
1520	Nut (3)	271482	Cutting Plate for 271481	271945	Clamp Carrier with Stay Plate and two 934
1521	Nut	271483	Pressure Spring	271947	Needle Plate
1620	Nut	271484	Clamp Check complete, for 3/8" to 3/4" buttonholes, 219, 702, 1772, 232105, 249827, 271465, 271481, 271483, 271685, 271941, 271942 and two 50093	271951	Tripping Lever Point
1623	Sleeve Nut			350234	Plate Screw (2)
1658	Thumb Nut			350237	Hinge Screw
1671	Nut			350265	Hinge Screw (2)
1772	Adjusting Nut			350459	Screw
1960	Roller and Screw Stud with 1520 (2)				
2273	Position Pin	271487	Adjusting Plate		
23390	Washer	271531	Clamp Arm		
23396	Regulator Cap	271532	Hinge Block with 201437		
23435	Spring	271533	Pin		
39532	Stud Sleeve	271535	Bearing		
39583	Stud Stop for 249623	271539	Clamp Lifting Arm		
39715	Washer	271542	Clamp Plate		
40007	Plate for 271924	271543	Clamp Plate Block with 889		
40038	Stud for 271780				
40045	Washer (nylon)	271544	Clamp Plate Block Support		
50093	Screw for 271484 (2)	271545	Clamp Spring		



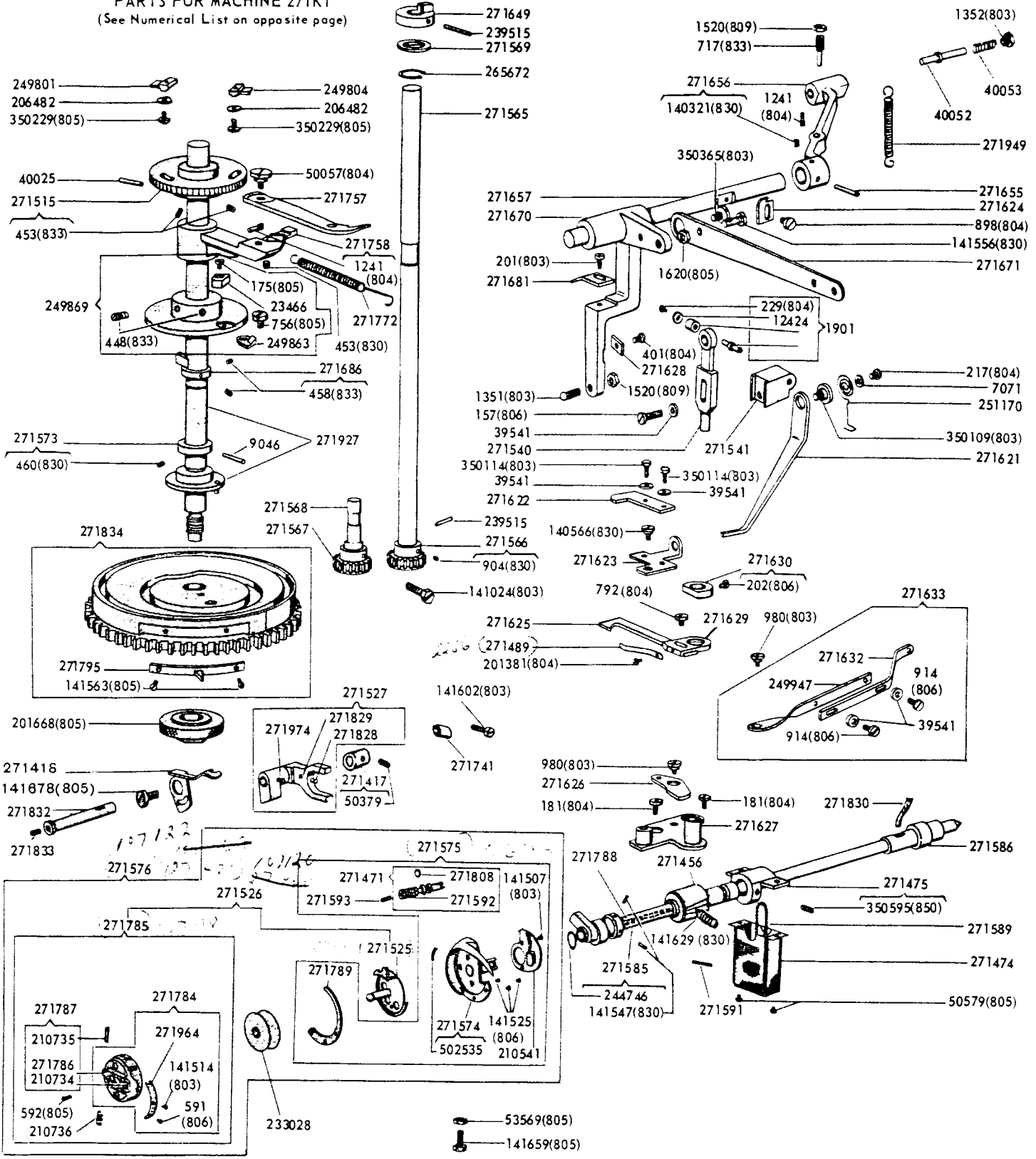
**PARTS FOR MACHINE 271K1**  
(See Numerical List on opposite page)



NUMERICAL LIST OF PARTS FOR MACHINE 271K1  
(illustrated on opposite page)

NUMBER	DESCRIPTION	NUMBER	DESCRIPTION	NUMBER	DESCRIPTION
157	Screw	210541	Needle Guard for	271591	Oil Tube (brass)
175	Screw for 249869		271575	271592	Screw Stud for 271471
181	Screw (2)	210734	Latch Lever for 271787	271593	Pin for 271575
201	Screw	210735	Fulcrum Pin for 271787	271621	Safety Tripping Lever
202	Collar Screw for 271630	210736	Latch Spring for 271785	271622	Lever Lock
217	Screw	233028	Bobbin	271623	Lock Plate
229	Screw	239515	Spiral Pin (2)	271624	Release Plate
401	Screw	244746	Ring (rubber) for 271585	271625	Sewing Safety Lock
448	Set Screw (2)	249801	Barring Plate (1st)	271626	Actuating Cam
453	Set Screw (3)	249804	Barring Plate (2nd)	271627	Cam Plate
458	Set Screw (2)	249863	Trip Point for 249869	271628	Engaging Plate
460	Set Screw (2)	249869	Collar with 175, 756, 23466, 249863 and two 448	271629	Hinge Bracket
591	Screw for 271784			271630	Collar with 202
592	Stop Screw for 271785	249947	Pitman (front) for 271633	271632	Pitman (rear) for 271633
717	Screw	251170	Lever Spring	271633	Sewing Safety Lock Pitman complete, 249947, 271632, two each 914 and 39541
756	Screw	265672	Retaining Ring		
792	Screw	271417	Adjusting Collar with 50379	271649	Gear Driver
898	Screw			271655	Spiral Pin
904	Position Screw for 271566	271418	Bobbin Case Stop	271656	Releaser Lever with 140321
		271456	Adjustable Bushing (front)	271657	Lever Shaft
914	Screw for 271633 (2)	271471	Hook Oil Control Screw	271670	Lower Thread Cutting Lever
980	Hinge Screw (2)			271671	Cutting Lever Extension
1241	Screw Stud (2)			271681	Tripping Plate
1351	Ball Screw	271474	Oil Chain Guard (lower)	271686	Cutting Cam with two 458
1352	Screw Bushing	271475	Oil Chain Guard (upper) with 350595	271741	Oil Drip Guide
1520	Nut (2)	271476 (271489)	Spring	271757	Hand Ratchet Lever
1620	Nut			271758	Lever Bracket with 1241
1901	Roller and Screw Stud with 229 and 12424	271515	Cam with two 453	271772	Bracket Spring
		271525	Bobbin Case Base for 271526	271784	Cap with 591, 141514 and 271964, for 271785
7071	Washer			271785	Bobbin Case Cap complete, 592, 210736, 271784 and 271787, for 271526
9046	Position Pin	271526	Bobbin Case complete, 271525 and 271785 for 271576	271786	Latch for 271787
12424	Washer			271787	Latch 271786 with 210734 and 210735 for 271785
23466	Tripping Point for 249869	271527	Opener Bracket with 271828, 271829 and 271974	271788	Oil Packing Wick
39541	Washer (5)			271789	Hook Gib for 271575
40025	Position Pin			271795	Tripping Point for 271834
40052	Lock Pin	271540	Arm Connection	271808	Seal Ring (rubber) for 271471
40053	Spring	271541	Stud Bracket	271828	Oiling Felt for 271527
50057	Hinge Screw	271565	Driving Shaft	271829	Oiling Felt Pin for 271527
50379	Set Screw for 271417	271566	Driving Shaft Gear with 904	271830	Oil Packing Wick
50579	Screw (Guard, lower) (2)			271832	Hinge Stud
53569	Lock Nut	271567	Driving Shaft Gear (intermediate)	271833	Oil Regulating Screw Stud
140321	Set Screw			271834	Feed Wheel with 271795 and two 141563
140566	Hinge Screw	271568	Stud	271927	Feed Wheel Shaft
141024	Set Screw	271569	Washer	271949	Spring
141507	Screw for 271575	271573	Collar with 460	271964	Tension Spring for 271784
141514	Screw for 271784	271574	Sewing Hook with 502535, for 271575	271974	Oiling Felt
141525	Screw for 271575 (3)			350109	Hinge Screw
141547	Socket Screw (2)	271575	Hook 271574 with 141507, 210541, 271471, 271593, 271789 and three 141525 for 271576	350114	Lock Screw (2)
141556	Hinge Screw			350229	Plate Screw (2)
141563	Screw for 271834 (2)			350365	Screw
141602	Position Screw			350595	Set Screw for 271475
141629	Set Screw	271576	Hook and Bobbin Case complete, 271526 and 271575	502535	Oiling Felt
141659	Screw (Adjustable Extension)				
141678	Stop Screw	271585	Hook Driving Shaft with 244746 and two 141547		
201381	Screw				
201668	Clamping Nut	271586	Bushing (back)		
206482	Washer (2)	271589	Oil Chain (endless)		

PARTS FOR MACHINE 271K1  
(See Numerical List on opposite page)



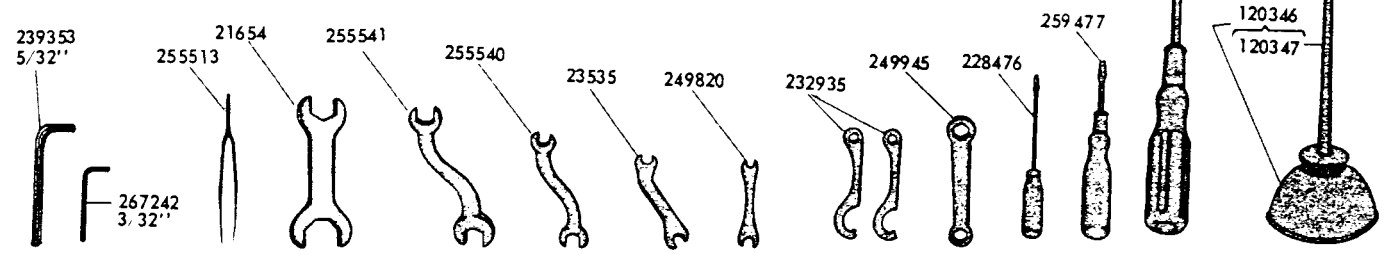
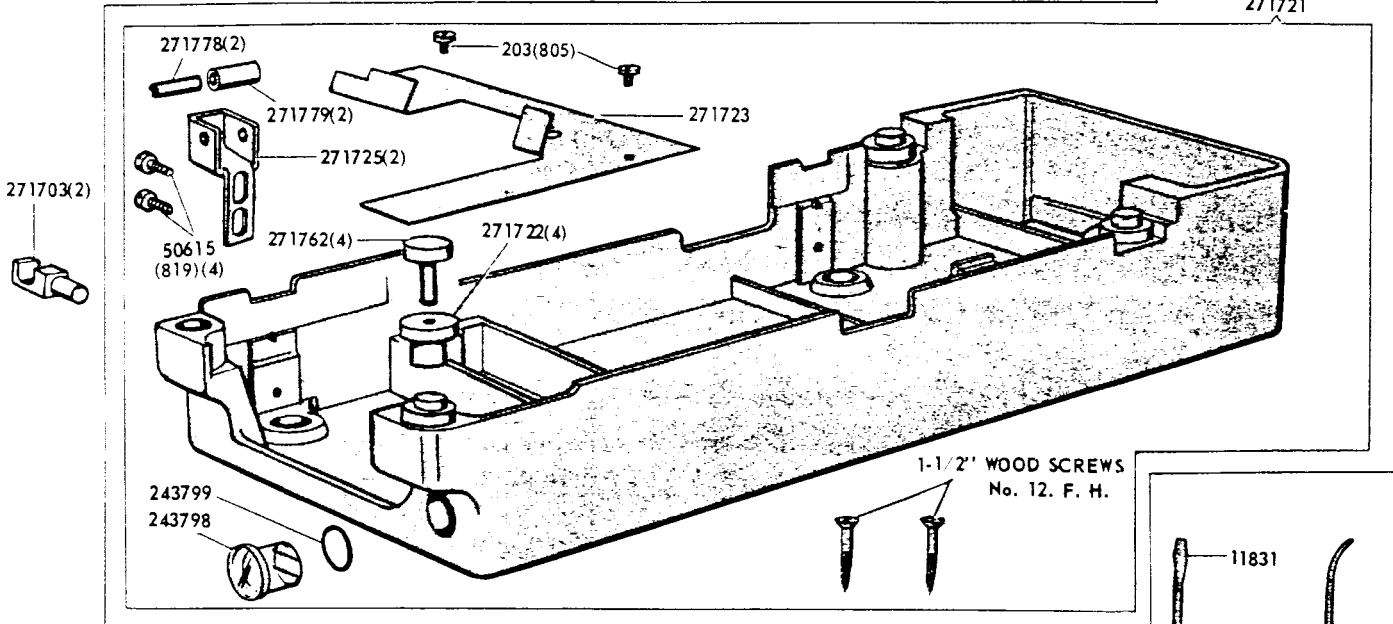
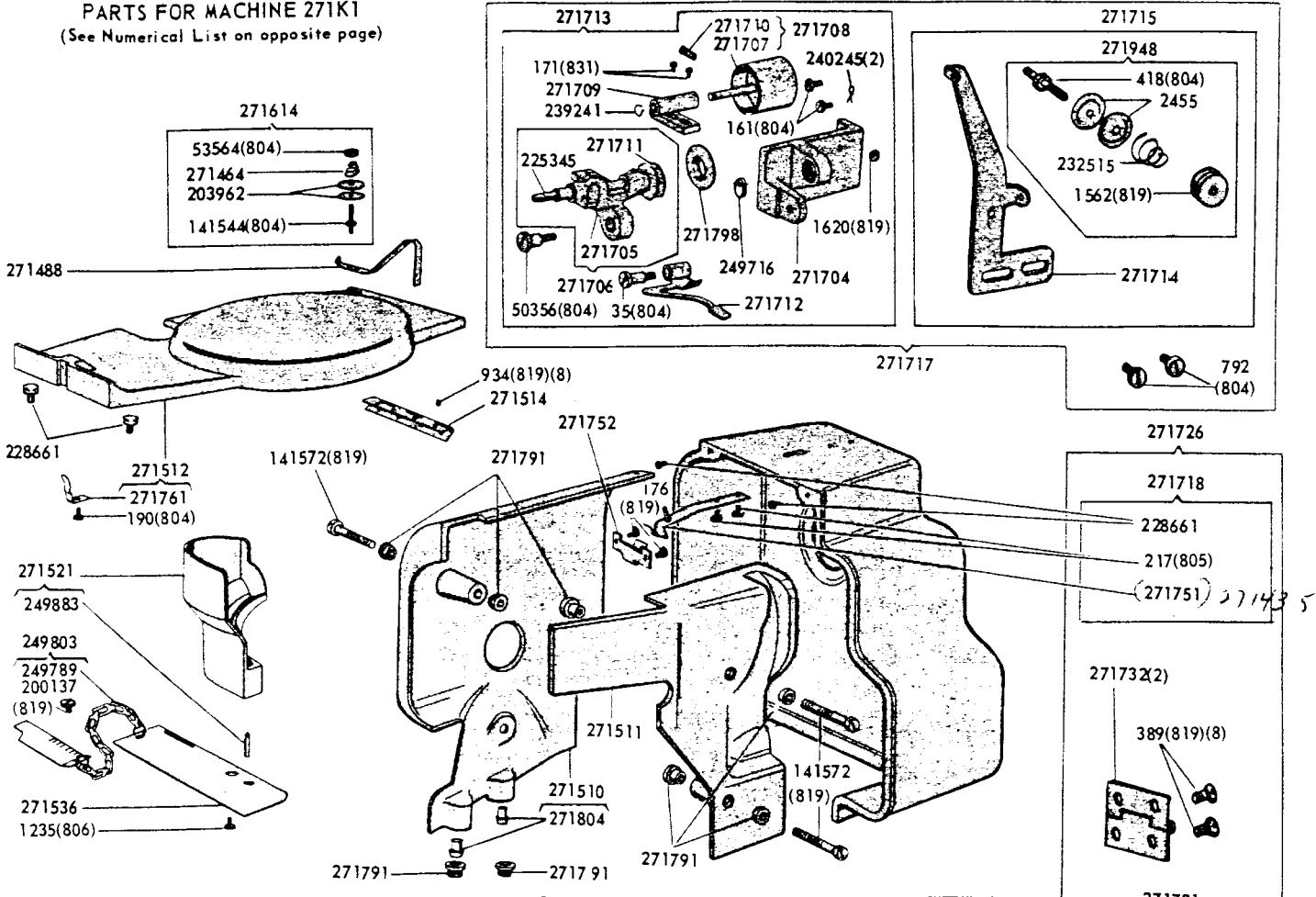
271864 copy photo BC

**NUMERICAL LIST OF PARTS FOR MACHINE 271K1**  
(illustrated on opposite page)

NUMBER	DESCRIPTION	NUMBER	DESCRIPTION	NUMBER	DESCRIPTION
35	Hinge Screw, for 271713	243799	Oil Seal (neoprene) for 271721	271713	Bobbin Winder complete, 35, 1620, 50356, 239241, 249716, 271704, 271706, 271708, 271709, 271712, 271798, two each 161, 171 and 240245 for 271717
161	Screw (2)			271714	Guide for 271715
171	Screw for 271713 (2)	249716	Spring for 271713	271715	Thread Guide 271714 with 271948, for 271717
176	Screw (2)	249789	Gauge Chain and Ring for 249803	271717	Bobbin Winder with Thread Guide complete, 271713, 271715 and two 792
190	Screw			271718	Belt Guard with 271751, two each 217 and 228661 for 271726
203	Screw (2)	249803	Gauge (Buttonhole) with 200137 and 249789	271721	Machine Base with 243798, 243799, 271723, two each 203, 271725, 271778, 271779, four each 50615, 271722, 271762 and two Wood Screws (1-1/2", 12 F. H.) for 271726
217	Screw (2)			271722	Rubber Cushion for 271721 (4)
389	Screw (8)	249820	Wrench for 1352, 1607 and 1772	271723	Oil Reservoir Cover for 271721
418	Screw Stud for 271948			271725	Bracket for 271721 (2)
792	Screw (2)	249883	Oil Tube (brass) for 271521	271726	Machine Base and Belt Guard complete, 271718, 271721, two 271732 and eight 389
934	Screw (8)	249945	Wrench for 1517, 1518, 1520, 1619, 201732 and 350712	271732	Hinge for 271726 (2)
1235	Screw			271752	Lock Spring for 271718
1562	Thumb Nut for 271948	255513	Tweezers	271761	Spring Catch
1620	Nut	255540	Wrench for 1520, 1620, 1655, 1664, 201624, 201732 and 271684	271762	Lock Spring for 271512
2455	Tension Disc for 271948(2)			271762	Cushion Cap for 271721 (4)
11831	Screw driver (5" Blade)	255541	Wrench for 1517, 1518, 1619, 271702 and 350712	271778	Spiral Pin for 271721 (2)
21654	Wrench for 1508, 1638 and 53570	259477	Screwdriver (1-3/4" Blade)	271779	Pin Sleeve (plastic) for 271721 (2)
23535	Wrench for 1521, 1547, 1671, 1698, 51047, 141575, 201711, 350114 and 350287	267242	Wrench (3/32") for 141547	271791	Insert Cushion (rubber) (8)
		271464	Tension Spring for 271614	271798	Friction Ring (rubber) for 271713
		271488	Tension Guide	271804	Position Pin (2) for 271510
50356	Hinge Screw for 271713	271510	Side Cover (left) with two 271804	271948	Bobbin Winder Tension complete, 418, 1582, 232515 and two 2455 for 271715
50615	Screw for 271721 (4)				1-1/2" Wood Screw No. 12 F. H. (2) for 271721
53564	Lock Nut for 271614	271511	Side Cover (right)		
120346	Oiler with 120347	271512	Top Cover with 190 and 271761		
120347	Oiler Spout (8-1/2" long) for 120346	271514	Hinge		
141544	Stud for 271614	271521	Oil Guard with 249883		
141572	Cover Screw (3)	271536	Slide		
200137	Screw for 249803	271614	Needle Thread Tension complete, 53564, 141544, 271464 and two 203962		
203962	Tension Disc for 271614 (2)	271703	Hinge Connection (2)		
225345	Spindle for 271706	271704	Base for 271713		
228476	Screwdriver for Bobbin Case (3" Blade)	271705	Frame for 271706		
		271706	Frame 271705 with 225345 and 271711 for 271713		
228661	Rubber Cushion (4)				
232515	Tension Spring for 271948	271707	Pulley for 271708		
232935	Wrench for 53561 (2)	271708	Pulley 271707 with 271710 for 271713		
239241	Retaining Ring for 271713				
239353	Wrench (5/32") for 350713	271709	Pulley Bracket for 271713		
240245	Retaining Spring for 271713 (2)	271710	Shaft for 271708		
243798	Oil Level Indicator for 271721	271711	Spindle Pulley for 271706		
		271712	Stop Latch for 271713		

See page 58 for list of Driving Equipment, Special Fittings and other Accessories not illustrated in this Manual.

**PARTS FOR MACHINE 271K1**  
(See Numerical List on opposite page)



**SUPPLEMENTARY PARTS LIST FOR MACHINE 271K2**  
(Same as Complete List for MACHINE 271K1 with the following EXCEPTIONS)

**OMIT THE FOLLOWING  
PARTS LISTED FOR 271K1**

**ADD THE FOLLOWING  
271K2 PARTS**

**CHANGE 271K1 LISTINGS  
AS INDICATED BELOW**

NUMBER	DESCRIPTION	NUMBER	DESCRIPTION	NUMBER	DESCRIPTION
271773	Arm Top Cover Plate	271411	Barring Slide Operating Rod Spring	271837	Arm Side Cover (left) with two 271804, in place of 271510
190	Arm Top Cover Plate Screw (2)	271413	Barring Slide Operating Rod Spring Bracket	271410	Automatic Knife Disengaging Lever Thread Guide, in place of 271472
249607	Barring Lever Spring	201784	Barring Slide Operating Rod Spring Bracket Nut	271838	Barring Lever, in place of 271928
1330	Barring Lever Spring Screw Stud	210805	Barring Slide Operating Rod Spring Bracket Washer	271839	Barring Plate (first bar), in place of 249801
271482	Clamp Check Section and Cutting Plate	350287(806)	Barring Slide Operating Rod Spring Screw	271840	Barring Plate (second bar), in place of 249804
50138	Clamp Check Section and Cutting Plate Screw (2)	225734	Barring Slide Operating Rod Spring Washer	271485	Barring Plate Cam with two 453, in place of 271515
1296	Clamp Check Stop Screw	271841	Barring Tension Plate (lower)	141644(803)	Barring Plate Screw (2), in place of 350229 (2)
271483	Clamp Check Thread	40043	Barring Tension Plate (lower) Collar (2) with 209	271412	Barring Slide Operating Stud, in place of 271930
	Clamping Pressure Spring	209(831)	Barring Tension Plate (lower) Set Screw (2)	271460	Barring Slide Stop, in place of 271931
1772	Clamp Check Thread	271691	Barring Tension Plate (lower) Spring	141670(803)	Barring Slide Stop Adjusting Screw, in place of 898
	Clamping Pressure Spring Adjusting Nut	271842	Barring Tension Plate (upper)	1607(805)	Barring Slide Stop Adjusting Screw Nut, in place of 452
702	Clamp Check Thread	141628(805)	Barring Tension Screw Stud for 271843	271415	Bed Oil Guard with 249883, in place of 271521
	Clamping Pressure Spring Adjusting Screw (2)	271414	Barring Tension Spring	271419	Bobbin Case Base, in place of 271525
157	Knife Holder Screw	12400	Barring Tension Spring Guide	271420	Bobbin Case complete 271419 and 271785, in place of 271526
1651	Needle Bar Frame	1562(809)	Barring Tension Spring Regulating Nut	271418	Bobbin Case Stop, in place of 271530
203962	Connection Hinge Screw Nut	271843	Barring Tension Support Bracket with 141628	271845	Clamp Arm with 50166, in place of 271531
	Needle Thread Tension Disc (2)	190(804)	Barring Tension Support Bracket Screw (2)	271846	Clamp Arm Hinge Block with 141624, in place of 271532
53564	Needle Thread Tension Regulating Thumb Nut	271880	Barring Tie Stitch Plate	227224	Clamp Arm Hinge Block Pin Collar with 201052, in place of 271792
271464	Needle Thread Tension Spring	141644(803)	Barring Tie Stitch Plate Screw (4)	201052(833)	Clamp Arm Hinge Block Pin Collar Set Screw, in place of 50150
141544	Needle Thread Tension Stud	206482	Barring Tie Stitch Plate Screw Washer (4)	271416	Clamp Carrier Regulator Slide, in place of 271536
271614	Needle Thread Tension, complete 53564, 141544, 271464 and two 203962	271844	Bight Stitch Adjusting Point	271403	Clamp Check, in place of 271481
39675	Starting Lever Spring Collar with two 191	141623(803)	Bight Stitch Adjusting Point Adjusting Screw	271849	Clamp Check Holder, in place of 271923
191	Starting Lever Spring Collar Set Screw (2)	1550(803)	Bight Stitch Adjusting Point Adjusting Screw Nut		
271916	Tension (side of arm) Releaser with 200	350287(803)	Bight Stitch Adjusting Point Screw		
271654	Tension (side of arm) Releaser Arm	271807	Hook Driving Shaft Hook Driver Lock Pin		
271655	Tension (side of arm) Releaser Arm Pin (spiral)	141673(850)	Knife Holder and Needle Thread Pull-off Roller Arm Bracket Screw		
200	Tension (side of arm) Releaser Set Screw	271858	Needle Thread Pull-off with 350287		
23520	Tension (side of arm) Releaser Shaft	350287(803)	Needle Thread Pull-off Hub Screw for 271858		
271925	Tension (side of arm) Releaser Shaft Crank	271859	Needle Thread Pull-off Latch		
679	Tension (side of arm) Releaser Shaft Crank Ball Screw Stud	271860	Latch Spring		
1520	Tension (side of arm) Releaser Shaft Crank Ball Screw Stud Nut				
2269	Tension (side of arm) Releaser Shaft Crank Pin				

**SUPPLEMENTARY PARTS LIST FOR MACHINE 271K2**  
(Same as Complete List for MACHINE 271K1 with the following EXCEPTIONS)

**OMIT THE FOLLOWING  
PARTS LISTED FOR 271K1**

**ADD THE FOLLOWING  
271K2 PARTS**

**CHANGE 271K1 LISTINGS  
AS INDICATED BELOW**

NUMBER	DESCRIPTION	NUMBER	DESCRIPTION	NUMBER	DESCRIPTION
32012	Tension (top of arm) Disc (2) (Part used on rear Tension on 271K2)	201883	Needle Thread Pull-off Roller for 351895	271402	Clamp Check Mat Housing with 1/16" Rubber Pad, in place of 271465
51570	Tension (top of arm) Regulating Thumb Nut	351895	Needle Thread Pull-off Roller 201883 with 141661 for 271980	141601(819)	Clamp Check Mat Housing Screw (2), in place of 50093 (2)
249687	Tension (top of arm) Releaser Rod	271980	Needle Thread Pull-off Roller Arm with 351895	271404	Clamp Check complete 271402, 271403 and two 141601 for 3/8" to 11/16" buttonholes, in place of 271484
40043	Tension (top of arm) Releaser Rod Collar	271981	Needle Thread Pull-off Roller Arm Bracket		
209	Tension (top of arm) Releaser Rod Collar Set Set Screw	203(819)	Needle Thread Pull-off Roller Arm Screw		
271691	Tension (top of arm) Releaser Rod Spring	141661(803)	Needle Thread Pull-off Roller Arm Screw Stud	271486	Face Plate, in place of 271547
32572	Tension (top of arm) Releasing Disc (Part used on rear Tension 271K2)	271982	Needle Thread Pull-off Shaft	271500	Face Plate 271486 with 1423, 271667 and 271692, in place of 271548
271661	Tension (top of arm) Releasing Lever	271457	Needle Thread Pull-off Shaft Collar with 141625	350781(830)	Feed Ratchet Gear Stud Set Screw, in place of 140930
271662	Tension (top of arm) Releasing Lever Connection	141625(803)	Needle Thread Pull-off Shaft Collar Set Screw for 271457	271564	Feed Wheel with 271795 and two 141563, in place of 271834
974	Tension (top of arm) Releasing Lever Connection Screw (back)	1423(804)	Needle Thread Pull-off Shaft Screw (2)	141602(803)	Feed Wheel Driving Shaft Gear (intermediate) Stud Set Screw in place of 141024
940	Tension (top of arm) Releasing Lever Connection Screw (front)	271983	Needle Thread Pull-off Shaft Spring		
90	Tension (top of arm) Releasing Lever Hinge Screw	350229(805)	Needle Thread Pull-off Stop Screw	249698	Gauge for Setting Buttonhole Length, with 200137 and 249789, in place of 249803
39635	Tension (top of arm) Releasing Pin (Part used on rear Tension 271K2)	1550(805)	Needle Thread Pull-off Stop Screw Nut	271421	Hook and Bobbin Case complete 271420 and 271575, in place of 271576
350399	Tension (top of arm) Screw Stud	191(806)	Needle Thread Tension Guide Screw	271470	Knife Holder, in place of 271919
1664	Tension (top of arm) Screw Stud Lock Nut	271984	Needle Thread Tension (rear) Actuator with 336	271992	Starting Lever, in place of 271938
271665	Tension (top of arm) Spring	271985	Needle Thread Tension (rear) Bracket for 271988	271640	Stitch Regulating Gear, 40 teeth, in place of one 271641
271774	Tension (top of arm) Thread Eyelet (double)	161(804)	Needle Thread Tension (rear) Bracket Screw	271643	Stitch Regulating Gear, 48 teeth, in place of one 271641
212	Tension (top of arm) Thread Eyelet Screw	32012	Needle Thread Tension (rear) Disc (2), for 271988	448(833)	Thread (lower) Cutting Blade Carrier Lever Stop Screw, in place of 435
141575	Thread (upper) Cutting Blade Connecting Rod Latch Releasing Screw	1560(803)	Needle Thread Tension (rear) Regulating Thumb Nut, for 271988	271993	Thread (lower) Cutting Blade (stationary) for 271995, in place of 271941
201711	Thread (upper) Cutting Blade Connecting Rod Latch Releasing Screw Nut	32572	Needle Thread Tension (rear) Releasing Disc, for 271988	271994	Thread (lower) Cutting Blade, for 271995, in place of 271942
201437	Thread (upper) Cutting Blade Connecting Rod Latch Spring Stop Screw Stud	39635	Needle Thread Tension (rear) Releasing Pin, for 271988	271995	Thread (lower) Cutting Blade Arm with 934, 271993 and 271994 in place of 271678
2273	Thread (upper) Cutting Blade Connecting Rod Position Pin	271986	Needle Thread Tension (rear) Rod Set Screw	1423(806)	Blade Arm Screw (2), in place of 201476 (2)
271806	Thread (upper) Cutting Blade Connecting Rod Return Spring	50057(804)	Needle Thread Tension (rear) Actuator Screw for 271986		
		336(806)	Needle Thread Tension (rear) Screw Stud, for 271988		
		350399(806)	Needle Thread Tension (rear) Secondary Spring, for 271988		
		271987			

**SUPPLEMENTARY PARTS LIST FOR MACHINE 271K2**  
(Same as Complete List for MACHINE 271K1 with the following EXCEPTIONS)

**OMIT THE FOLLOWING  
PARTS LISTED FOR 271K1**

**ADD THE FOLLOWING  
271K2 PARTS**

**CHANGE 271K1 LISTINGS  
AS INDICATED BELOW**

NUMBER	DESCRIPTION	NUMBER	DESCRIPTION	NUMBER	DESCRIPTION
271487	Thread (upper) Cutting Blade Connecting Rod Return Spring Adjusting Plate	191(806)	Sewing Safety Lever Extension Screw (2)	271425	Thread (lower) Cutting Blade Connecting Rod Latch with 1698 and 141627, in place of 271679
271684	Thread (upper) Cutting Blade Connecting Rod Stop (Adjustable)	204925	Sewing Safety Lever Extension Screw Washer (2), for 271991	271499	Thread (lower) Cutting Blade Driving Arm Latch Spring, in place of 271680
201624	Rod Stop Lock Nut	271991	Sewing Safety Lever complete, 271989, 271990 two 191 and 204925	271451	Thread (upper) Cutting Cam with 141671, 271401, 351894 and two 145, in place of 271688
40045	Thread (upper) Cutting Blade Connecting Rod Stop Washer (nylon)	268072	Tension (Side of Arm) Releaser Lever Shaft Collar with two 200386	271452	Thread (upper) Cutting Cam Follower, in place of 271687
228026	Thread (upper) Cutting Blade Connecting Rod Washer	200386(803)	Tension (Side of Arm) Releaser Lever Shaft Collar Set Screw	271453	Thread (upper) Cutting Cam Follower Link, in place of 271690
219	Thread (upper) Cutting Blade Screw	934(819)	Thread (upper) Cutting Blade Screw for 271995	145(806)	Thread (upper) Cutting Cam Screw (2), in place of 458 (2)
249827	Thread (upper) Cutting Blade Shaft	271996	Thread (upper) Cutting Blade Driving Arm with 141624	23669	Thread Guide (side of arm) (lower), in place of 271693
271685	Thread (upper) Cutting Blade Shaft Crank with 906	271997	Thread (upper) Cutting Blade Driving Arm Actuating Lever	39711	Thread Guide (side of arm) (upper), in place of 271781
232105	Thread (upper) Cutting Blade Shaft Crank Pin	271998	Thread (upper) Cutting Blade Driving Arm Actuating Lever Spring		
906	Thread (upper) Cutting Blade Shaft Crank Set Screw	50166(805)	Thread (upper) Cutting Blade Driving Arm Actuating Lever Spring Screw Eye for 271845		
271688	Thread (upper) Cutting Lever Spring	141624(803)	Thread (upper) Cutting Blade Driving Arm Guide Screw for 271996		
271691	Thread (upper) Pull-off	141627(803)	Thread (upper) Cutting Blade Driving Arm Ratchet Screw for 271425		
271783	Thread (upper) Pull-off	1698(803)	Thread (upper) Cutting Blade Driving Arm Ratchet Screw Nut for 271425		
704	Thread (upper) Pull-off Screw	271401	Thread (upper) Cutting Blade Driving Arm Safety		
39541	Thread (upper) Pull-off Screw Washer	141624(803)	Thread (upper) Cutting Blade Driving Arm Screw, for 271846		
		272000	Thread (upper) Cutting Blade Guide Plate		
		141626(850)	Thread (upper) Cutting Blade Guide Plate Follower Screw		
		51064(803)	Thread (upper) Cutting Blade Guide Plate Screw		
		351894	Thread (upper) Cutting Cam Roller for 271451		
		141671(803)	Thread (upper) Cutting Cam Roller Screw Stud for 271451		

**ADD THE FOLLOWING  
271K2 PARTS**

271665	Needle Thread Tension (rear) Spring, for 271988
1664(805)	Needle Thread Tension (rear) Stud Lock Nut, for 271988
271988	Needle Thread Tension (rear) complete, 1560, 1664, 32572, 39635, 271665, 271985, 271987, 350399 and two 32012
271989	Sewing Safety Lever Clamp with 1149
1149(830)	Sewing Safety Lever Clamp Pinch Screw for 271989
271990	Sewing Safety Lever Extension with 1822
1822	Sewing Safety Lever Extension Roller for 271990

NOTES: Thread (upper) Pull-off on Machine 271K1 is replaced on Machine 271K2 with "Needle Thread Pull-off".  
Tension (top of arm) on Machine 271K1 is replaced on Machine 271K2 with "Needle Thread Tension (rear)".



**SUPPLEMENTARY PARTS LIST FOR MACHINE 271K3**  
 (Same as Complete List for MACHINE 271K1 with the following EXCEPTIONS)

**OMIT THE FOLLOWING  
PARTS LISTED FOR 271K1**

**ADD THE FOLLOWING  
271K3 PARTS**

**CHANGE 271K1 LISTINGS  
AS INDICATED BELOW**

NUMBER	DESCRIPTION
934	Clamp Carrier Stay Plate Screw (2) (Omit Stay Plate from Chart also)
271923	Clamp Check Holder
337	Clamp Check Holder Adjusting Screw (2)
249749	Clamp Check Holder Adjusting Screw Friction Plate
212	Clamp Check Holder Hinge Cap Screw
237	Clamp Check Holder Stop Screw
39715	Clamp Check Holder Stop Screw Washer
271465	Clamp Check Mat Housing with 3/32" rubber
50093	Clamp Check Mat Housing Screw (2)
1296	Clamp Check Stop Screw
271483	Clamp Check Thread Clamping Pressure Spring
1772	Clamp Check Thread Clamping Pressure Spring Adjusting Nut
702	Clamp Check Thread Clamping Pressure Spring Adjusting Screw

NUMBER	DESCRIPTION
271852	Clamp Arm Plate
249958	Clamp Carrier Guard
244(804)	Clamp Carrier Guard Screw
1348(805)	Clamp Check Section and Cutting Plate Support Stud for 249986

NUMBER	DESCRIPTION
271462	Clamp Check complete for 3/4" to 1-1/2" buttonholes, 219, 232105, 249827, 249976, 249977, 249986 and 271685, in place of 271484
271853	Clamp Plate, in place of 271542
271854	Feed Driving Gear, 72 teeth, in place of 271550
271855	Feed Ratchet Gear (upper), 24 teeth, in place of 271559
271856	Feed Wheel with 271795 and two 141563, in place of 271834
141602(803)	Feed Wheel Driving Shaft Gear (intermediate) Stud Set Screw, in place of 141024
249984	Gauge, for setting length of buttonhole, with 200137 and 249789, in place of 249803
39558	Knife, 1-1/2", in place 271901
271491	Needle Plate, in place of 271947
141666(803)	Needle Plate Screw (2), in place of 350234 (2)
271639	Stitch Regulating Gear, 40 teeth, in place of one 271641
271644	Stitch Regulating Gear, 50 teeth, in place of one 271641
249976	Thread (upper) Clamping Blade, in place of 271941
249977	Thread (upper) Cutting Blade, in place of 271942
271857	Thread (upper) Cutting Blade Connecting Rod, in place of 271678

**CHANGE 271K1 LISTINGS  
AS INDICATED BELOW**

NUMBER	DESCRIPTION
249954	Barring Plate (2), in place of 249801 and 249804
271851	Clamp Arm, in place of 271531
1083(803)	Clamp Arm Screw (3), in place of 141554 (2)
39541	Clamp Arm Screw Washer (3) in place of 202622 (2)
249957	Clamp Carrier, in place of 249945 with Stay Plate and two 934
39591	Clamp Carrier Guide (left), in place of 271920
271498	Clamp Carrier Plate, in place of 249753
249960	Clamp Carrier Regulator with 240, 1960 and 39583, in place of 249623
39720	Clamp Carrier Slide with 1345, 39591 and two 756, in place of 271921
249986	Clamp Check with 249987, two each 237 and 1348 for 3/4" to 1-1/2" buttonholes, in place of 271481
1297(806)	Clamp Check Screw (2), in place of 1296 (2)
249987	Clamp Check Section and Cutting Plate, in place of 271482
237(804)	Clamp Check Section and Cutting Plate Screw, (2) in place of 50138 (2)

**SUPPLEMENTARY PARTS LIST FOR MACHINE 271K4**  
(Same as Complete List for MACHINE 271K1 with the following EXCEPTIONS)

OMIT THE FOLLOWING PARTS LISTED FOR 271K1		ADD THE FOLLOWING 271K4 PARTS		CHANGE 271K1 LISTINGS AS INDICATED BELOW	
NUMBER	DESCRIPTION	NUMBER	DESCRIPTION	NUMBER	DESCRIPTION
249804	Barring Plate (2nd bar)	262006	Cord Rotating Gear Slide Sleeve	350229(805)	Barring Plate Screw (List 1 not 2)
934	Clamp Carrier Stay Plate Screw (omit Stay Plate from Parts Chart also)	262007	Cord Rotating Gear Slide Sleeve Slide Rod	206482	Barring Plate Screw Washer (List 1 not 2)
271923	Clamp Check Holder	271868	Cord Rotating Gear Slide Sleeve Slide Rod Connection	271862	Bed Oil Guard with 249883, in place of 271521
337	Clamp Check Holder Adjusting Screw	871(806)	Cord Rotating Gear Slide Sleeve Slide Rod Connection Handle Screw	271863	Bobbin Case Cap with 591, 141514 and 271964, in place of 271784
249749	Friction Plate	1200(806)	Cord Rotating Gear Slide Sleeve Slide Rod Connection Hinge Screw	271864	Bobbin Case Cap complete, 592, 210736, 271787 and 271863 in place of 271785
212	Clamp Check Holder Hinge Cap Screw	1521(804)	Cord Rotating Gear Slide Sleeve Slide Rod Nut	271865	Bobbin Case complete, 271525 and 271864, in place of 271526
237	Clamp Check Holder Stop Screw	39784	Cord Rotating Gear Slide Sleeve Spring	271851	Clamp Arm, in place of 271531
39715	Clamp Check Holder Stop Screw Washer	39856	Cord Rotating Sector with 7071, 39832 and 201321	1083(803)	Clamp Arm Screw (3), in place of 141554
271465	Clamp Check Mat Housing	39832	Cord Rotating Sector Adjustable Catch Notch Gib	39541	Clamp Arm Screw Washer (3), in place of 202622
50093	Clamp Check Mat Housing Screw (2)	201321(803)	Cord Rotating Sector Adjustable Catch Notch Gib Screw	249957	Clamp Carrier, in place of 271945
1296	Clamp Check Stop Screw	7071	Cord Rotating Sector Adjustable Catch Notch Gib Screw Washer	271498	Clamp Carrier Plate, in place of 249753
271483	Clamp Check Thread Clamping Pressure Spring	39775	Cord Rotating Sector Catch	249960	Clamp Carrier Regulator with 240, 1960 and 39583 in place of 249623
1772	Clamp Check Thread Clamping Pressure Spring Adjusting Nut	39776	Cord Rotating Sector Catch Connection	39720	Clamp Carrier Slide with 1345, 271920 and two 756, in place of 271921
702	Clamp Check Thread Clamping Pressure Spring Adjusting Screw	240(804)	Cord Rotating Sector Catch Screw (2)	39914	Clamp Check with 39915, 50354 and two 237, in place of 271481
271830	Hook Driving Shaft Bushing (back) Oil Packing Wick	271869	Cord Rotating Sector Catch Spring	1297(830)	Clamp Check Screw (2) in place of 1296
2269	Tension (side of arm) Releaser Shaft Crank Pin	1034(806)	Cord Rotating Sector Catch Spring Screw	39915	Clamp Check Section and Cutting Plate, in place of 271482
32012	Tension (top of arm) Disc (2)	440(830)	Cord Rotating Sector Catch Stop Screw	237(819)	Clamp Check Section and Cutting Plate Screw, in place of 50138
51570	Tension (top of arm) Regulating Thumb Nut	1547(819)	Cord Rotating Sector Catch Stop Screw Nut	39916	Clamp Check complete, for 3/8" to 3/4" buttonhole, 219, 2269, 39858, 39868, 39867, 39914 and 40050, in place of 271484
249687	Tension (top of arm) Releaser Rod	350342(804)	Cord Rotating Sector Hinge Screw (eccentric)	271853	Clamp Plate, in place of 271542
40043	Tension (top of arm) Releaser Rod Collar with 209 (2)	1520(809)	Cord Rotating Sector Hinge Screw Nut	271871	Face Plate 271870 with 236, 418, 1562, 18859, 39770, 39789, 39790 and two 2445 in place of 271548
209	Tension (top of arm) Releaser Rod Collar Set Screw (2)	213949	Cord Rotating Sector Hinge Screw Washer		
271691	Tension (top of arm) Releaser Rod Spring	262009	Cord Rotating Tripping Cam with two 458		
32572	Tension (top of arm) Releasing Disc	458(803)	Cord Rotating Tripping Cam Set Screw (2)		
271661	Tension (top of arm) Releasing Lever	39790	Cord Take-up Spring		
271662	Tension (top of arm) Releasing Lever Connection	2455	Cord Tension Disc (2)		
974	Tension (top of arm) Releasing Lever Connection Screw (back)	418(804)	Cord Tension Screw Stud		
940	Tension (top of arm) Releasing Lever Connection Screw (front)	39789	Cord Tension Spring		
		1562(819)	Cord Tension Thumb Nut		
		271866	Clamp Arm Plate		

**SUPPLEMENTARY PARTS LIST FOR MACHINE 271K4**  
(Same as Complete List for MACHINE 271K1 with the following EXCEPTIONS)

**OMIT THE FOLLOWING  
PARTS LISTED FOR 271K1**

**ADD THE FOLLOWING  
271K4 PARTS**

**CHANGE 271K1 LISTINGS  
AS INDICATED BELOW**

NUMBER	DESCRIPTION	NUMBER	DESCRIPTION	NUMBER	DESCRIPTION
90	Tension (top of arm) Releasing Lever Hinge Screw	141554(830)	Clamp Arm Plate Screw (2)	271870	Face Plate, in place of 271547
39365	Tension (top of arm) Releasing Pin	202622	Clamp Arm Plate Screw Washer (2)	271872	Feed Wheel with 271795 and two 141563, in place of 271834
350399	Tension (top of arm) Screw Stud	249958	Clamp Carrier Guard	141602(803)	Feed Wheel Driving Shaft Gear (intermediate) Stud Set Screw, in place of 141024
1664	Tension (top of arm) Screw Stud Lock Nut	244(804)	Clamp Carrier Guard Screw	262026	Gauge for Setting Buttonhole Length with 200137 and 249789, in place of 249803
271665	Tension (top of arm) Spring	50354(805)	Clamp Check Section and Cutting Plate Support Stud (short)	271873	Hook and Bobbin Case complete, 271575 and 271865, in place of 271576
271744	Tension (top of arm) Thread Eyelet (double)	18859	Cord Guide	39829	Knife, 3/4", in place of 271901
212	Tension (top of arm) Thread Eyelet Screw	39899	Cord Leading Bracket	39796	Knife Holder, in place of 271919
271666	Thread Check Bracket	39768	Cord Leading Bracket Dowel Pin	1094(806)	Knife Screw, in place of 191
9544	Thread Check Cap	389(806)	Cord Leading Bracket Screw	39541	Knife Screw Washer, in place of 23390
9543	Thread Check Disc (2)	39770	Cord Leading Eye (double)	271874	Needle Bar 271596 with 904, in place of 271835
9545-001	Thread Check Spring	236(804)	Cord Leading Eye Screw	271441	Needle Bar Frame with 241189, 270200, 271610 and 271611, in place of 271440
208	Thread Check Screw	271496	Cord Leading Finger (lower)	271492	Needle Plate, in place of 271947
271667	Thread Check complete	350067(805)	Cord Leading Finger (lower) Screw	141666(803)	Needle Plate Screw (2), in place of 350234 (2)
271692	Thread Guide (on face plate)	39853	Cord Leading Finger (lower) Screw Washer	904(830)	Needle Set Screw, in place of 336
1423	Thread Guide Screw	39854	Cord Leading Finger (upper)	271638	Stitch Regulating Gear, 36 teeth, in place of one 271641
		230(806)	Cord Leading Finger (upper) Screw	271642	Stitch Regulating Gear, 48 teeth, in place of one 271641
		271497	Cord Leading Finger complete, 39853, 39854, 271496 and 350067	271876	Tension (side of arm) Releaser Shaft, in place of 23520
		39855	Cord Rotating Gear	271877	Tension (side of arm) Releaser Shaft Crank with 202, in place of 271925
		39773	Cord Rotating Gear Gib (back)	448(833)	Thread (lower) Cutting Blade Carrier Lever Stop Screw, in place of 435
		39772	Cord Rotating Gear Gib (front)	271490	Thread (lower) Cutting Blade Friction Plate, in place of 271805
		1329(804)	Cord Rotating Gear Gib Screw (4)		
		39780	Cord Rotating Gear Slide		
		39781	Cord Rotating Gear Slide Block		
		271867	Cord Rotating Gear Slide Collar with two 141667		
		141667(830)	Cord Rotating Gear Slide Collar Set Screw (2)		
		39788	Cord Rotating Gear Slide Connecting Spring		
		262004	Cord Rotating Gear Slide Connecting Spring Plate		
		1241(804)	Cord Rotating Gear Slide Connecting Spring Screw Eye (front)		
		262005	Cord Rotating Gear Slide Extension		
		185(806)	Cord Rotating Gear Slide Extension Screw (2)		
		40013	Guide		
		1238(806)	Guide Screw		
		202(806)	Tension (side of arm) Releaser Shaft Crank Adjusting Screw		

**SUPPLEMENTARY PARTS LIST FOR MACHINE 271K4**  
 (Same as Complete List for MACHINE 271K1 with the following EXCEPTIONS)

**CHANGE 271K1 LISTINGS  
 AS INDICATED BELOW**

NUMBER	DESCRIPTION
39867	Thread and Cord (upper) Clamping Blade, in place of 271941
39858	Thread and Cord (upper) Cutting Blade, in place of 271942
271878	Thread and Cord (upper) Cutting Blade Connecting Rod, in place of 271678
350265(803)	Hinge Screw, in place of 201476
271493	Thread and Cord (upper) Cutting Blade Connecting Rod Return Spring, in place of 271806
39866	Thread and Cord (upper) Cutting Blade Shaft, in place of 249827
40050	Thread and Cord (upper) Cutting Blade Shaft Crank with 906, in place of 271685
2269	Thread and Cord (upper) Cutting Blade Shaft Crank Pin, in place of 232105
271879	Thread and Cord (upper) Cutting Cam with two 458, in place of 271686

NOTE: All parts of Thread (upper) Cutting Device on Machine 271K1 have been changed to read "Thread and Cord (upper) Cutting", when used on Machine 271K4.

**SUPPLEMENTARY PARTS LIST FOR MACHINE 271K201**  
(Same as Complete List for MACHINE 271K1 with the following EXCEPTIONS)

OMIT THE FOLLOWING PARTS LISTED FOR 271K1		ADD THE FOLLOWING 271K201 PARTS		CHANGE 271K1 LISTINGS AS INDICATED BELOW	
NUMBER	DESCRIPTION	NUMBER	DESCRIPTION	NUMBER	DESCRIPTION
271717	Bobbin Winder with Thread Guide complete	262185	Cloth Plate (front)	262181	Arm Side Cover (left) with two 271804, in place of 271510
249753	Clamp Carrier Plate	140091(804)	Cloth Plate (front) Screw (2)	262103	Clamp Carrier with two 934, in place of 271945
1231	Clamp Carrier Plate Screw (back) (2)	262186	Cloth Plate (lower)	235706	Hook Driving Connection Belt Pulley Oiling Wick, in place of 271423
404	Clamp Carrier Plate (front) (2)	51946	Cloth Plate (lower) Roller and Screw Stud	271902	Knife, 9/16" in place of 271901
271536	Clamp Carrier Regulator Slide	262187	Cloth Plate (lower) Roller Bearing Plate	262188	Machine Base with 243798, 243799, 271723, 271725, 271778, 271779, two each 203, 50615, four each 271722 and 271762 for 262189, in place of 271721
271801	Knife Bar Driving Lever Screw Stud	930(819)	Cloth Plate (lower) Roller Bearing Plate Screw (2)	262189	Machine Base and Belt Guard complete, 262188, 271719, two each 271732 and eight 389, in place of 271726
271797	Machine Driving Belt	756(804)	Cloth Plate (lower) Screw (4)	262183	Needle Plate, in place of 271947
249922	Stop Lever	262144	Cloth Plate (upper) Mounting Bracket	271424	Stop Cam Gear Stud Oiling Wick, in place of 271651
50416	Stop Lever Hinge Screw	257237	Cloth Plate (upper) Mounting Bracket Material Retainer	448(833)	Thread (lower) Cutting Blade Carrier Lever Stop Screw, in place of 435
1-1, 2"	Wood Screws No. 12 F. H. (2)	1300(804)	Cloth Plate (upper) Mounting Bracket Screw (left)	271671-601	Thread (lower) Cutting Lever Extension, in place of 271671
		1460(804)	Cloth Plate (upper) Mounting Bracket Screw (right)	173(803)	Thread (upper) Cutting Blade Connecting Rod Latch Tripping Plate Screw, in place of 201
		232131	Cloth Plate (upper) Mounting Bracket Screw Washer (2)	222598	Thread (upper) Cutting Cam Follower Hinge Stud Oil Packing Wick, in place of 263572
		262166	Cycling Switch Actuating Lever Driving Stud		
		262182	Machine Starting Lever Push Rod Bracket Mounting Block		
		350654(833)	Machine Starting Lever Push Rod Bracket Mounting Block Screw (2)		
		262118	Machine Starting Lever Rod Trip Lever		
		262119	Machine Starting Lever Rod Trip Lever Bracket		
		350647(833)	Machine Starting Lever Rod Trip Lever Bracket Screw		
		262120	Machine Starting Lever Rod Trip Lever Pin		
		262184	Oil Splash Guard (lower section)		
		1239(804)	Oil Splash Guard Fastening Screw		
		207(804)	Oil Splash Guard Screw		
		259929	Wrench, for 1671		

**MACHINE 271K1**  
**DRIVING EQUIPMENT AND OTHER ACCESSORIES**  
(Not Illustrated)

<b>DRIVING EQUIPMENT</b>		<b>SPECIAL FITTINGS</b> (Available on specific order)			
NUMBER	DESCRIPTION	NUMBER	DESCRIPTION	NUMBER	DESCRIPTION
228909	Clamp Lifting Chain, 36" long, with 39575 and 39576	249994	Needle Plate, for use with Clamp Checks 271962, 271963, 271972 and 271973	271906	Knife, 13/16"
250408	Machine Rest (high) with 232982 and two wood screws 1" No. 12	271478	Clamp Check for 3/8" to 3/4" buttonhole (1/16" thick rubber mat). Use needle plate 271947	271907	Knife, 7/8"
228349	Starting Chain complete, 228333, 228347, 228348, two each 39575 and 39576	271479	Clamp Check for 3/8" to 1" buttonhole (3/32" thick rubber mat). Use needle plate 271947	271908	Knife, 15/16"
228757	Treadle complete, 2718(813), 14372 to 14375, 17881, 50581(813), two each 23250, 51074(813) and 67425 (2)	271960	Clamp Check for 3/8" to 3/4" buttonhole. Use needle plate 271947	271909	Knife, 1"
151223	Motor Mount and Belt Tightener complete, 51655(813), 150783, 151066, 151219 to 151222, two each 9281, 151068, four each 50807(813), 151369, eight each 1778(813), 9842, and 126150, for Series 38 continuous running Motor	271961	Clamp Check for 3/8" to 1" buttonhole. Use needle plate 271947	271458	Stitch Regulating Gear, 40 teeth
		271962	Clamp Check for 3/8" to 3/4" buttonhole. (3/32" thick rubber mat). Use needle plate 249994	271459	Stitch Regulating Gear, 44 teeth
		271963	Clamp Check for 3/8" to 3/4" buttonhole (1/16" thick rubber mat). Use needle plate 249994	271634	Stitch Regulating Gear, 30 teeth
		271972	Clamp Check for 1" buttonhole (3/32" thick rubber mat). Use needle plate 249994	271635	Stitch Regulating Gear, 32 teeth
		271973	Clamp Check for 1" buttonhole (1/16" thick rubber mat). Use needle plate 249994	271636	Stitch Regulating Gear, 36 teeth
		271900	Knife, 7/16"	271637	Stitch Regulating Gear, 36 teeth
		271902	Knife, 9/16"	271638	Stitch Regulating Gear, 36 teeth
		271904	Knife, 11/16"	271639	Stitch Regulating Gear, 40 teeth
				271640	Stitch Regulating Gear, 40 teeth
				271642	Stitch Regulating Gear, 48 teeth
				271643	Stitch Regulating Gear, 48 teeth
				271644	Stitch Regulating Gear, 50 teeth
				271645	Stitch Regulating Gear, 54 teeth
				271646	Stitch Regulating Gear, 60 teeth
				271647	Stitch Regulating Gear, 60 teeth
				271648	Stitch Regulating Gear, 60 teeth

**ACCESSORIES**

271899	Knife, 3/8"
271903	Knife, 5/8"
271905	Knife, 3/4"
228776	Thread Unwinder (two spools) complete, 228766 to 228768, 228770, 228774, two each 150203, 228764, 228769 and three wood screws 7/8" No. 12
	R. H. B.
27739	Thread Unwinder Thread Cone (wood)
225390	Thread Unwinder Thread Cone Holder

**MACHINE 271K2**  
**DRIVING EQUIPMENT AND OTHER ACCESSORIES**  
 (Not Illustrated)

DRIVING EQUIPMENT		ACCESSORIES		SPECIAL FITTINGS	
NUMBER	DESCRIPTION	NUMBER	DESCRIPTION	NUMBER	DESCRIPTION
228909	Clamp Lifting Chain, 36" long, with 39575 and 39576	228776	Thread Unwinder (two spools) complete, 228766 to 228768, 228770, 228774, two each 150203, 228764, 228769 and three wood screws 7/8" No. 12	271905	Knife, 3 4"
250408	Machine Rest (high) with 232982 and two wood screws 1" No. 12			271458	Stitch Regulating Gear, 40 teeth
228349	Starting Chain complete, 228333, 228347, 228348, two each 39575 and 39576			271459	Stitch Regulating Gear, 44 teeth
228757	Treadle complete, 2718(813), 14372 to 14375, 17881, 50581(813), two each 23250, 51074(813) and 67425 (2)	27739	Thread Unwinder Thread Cone (wood)	271634	Stitch Regulating Gear, 30 teeth
151223	Motor Mount and Belt Tightener complete, 51655(813), 150783, 151066, 151219 to 151222, two each 9281, 151068, four each 50807(813), 151369, eight each 1778(813), 9842, and 126150, for Series 38 continuous running Motor	225390	Thread Unwinder Thread Cone Holder	271635	Stitch Regulating Gear, 32 teeth
	<b>ACCESSORIES</b>		<b>SPECIAL FITTINGS</b> (Available on specific order)	271636	Stitch Regulating Gear, 36 teeth
271899	Knife, 3/8"	271847	Clamp Check for 3/8" to 1 1/16" buttonhole. Use Clamp Check Holder 271850	271637	Stitch Regulating Gear, 36 teeth
271903	Knife, 5/8"	271407	Clamp Check for 3/8" to 1" buttonhole (1 1/16" thick rubber mat).	271638	Stitch Regulating Gear, 36 teeth
271904	Knife, 1 1/16"	271848	Clamp Check for 3/8" to 1" buttonhole. Use Clamp Check Holder 271850	271639	Stitch Regulating Gear, 40 teeth
		271850	Clamp Check Holder	271641	Stitch Regulating Gear, 45 teeth
		271900	Knife, 7/16"	271642	Stitch Regulating Gear, 48 teeth
		271902	Knife, 9/16"	271644	Stitch Regulating Gear, 50 teeth
				271645	Stitch Regulating Gear, 54 teeth
				271646	Stitch Regulating Gear, 60 teeth
				271647	Stitch Regulating Gear, 60 teeth
				271648	Stitch Regulating Gear, 60 teeth

**MACHINE 271K3**  
**DRIVING EQUIPMENT AND OTHER ACCESSORIES**  
 (Not Illustrated)

DRIVING EQUIPMENT		ACCESSORIES		SPECIAL FITTINGS	
NUMBER	DESCRIPTION	NUMBER	DESCRIPTION	NUMBER	DESCRIPTION
228909	Clamp Lifting Chain, 36" long, with 39575 and 39576	228776	Thread Unwinder (two spools) complete, 228766 to 228768, 228770, 228774, two each 150203, 228764, 228769 and three wood screws 7/8" No. 12	271459	Stitch Regulating Gear, 44 teeth
250408	Machine Rest (high) with 232982 and two wood screws 1" No. 12			271634	Stitch Regulating Gear, 30 teeth
228349	Starting Chain complete, 228333, 228347, 228348, two each 39575 and 39576			271635	Stitch Regulating Gear, 32 teeth
228757	Treadle complete, 2718(813), 14372 to 14375, 17881, 50581(813), two each 23250, 51074(813) and 67425 (2)	27739	Thread Unwinder Thread Cone (wood)	271636	Stitch Regulating Gear, 36 teeth
151223	Motor Mount and Belt Tightener complete, 51655(813), 150783, 151066, 151219 to 151222, two each 9281, 151068, four each 50807(813), 151369, eight each 1778(813), 9842, and 126150, for Series 38 continuous running Motor	225390	Thread Unwinder Thread Cone Holder	271637	Stitch Regulating Gear, 36 teeth
	<b>ACCESSORIES</b>		<b>SPECIAL FITTINGS</b> (Available on specific order)	271639	Stitch Regulating Gear, 36 teeth
271905	Knife, 3/4"	271906	Knife, 13/16"	271640	Stitch Regulating Gear, 40 teeth
271909	Knife, 1"	271907	Knife, 7/8"	271641	Stitch Regulating Gear, 45 teeth
271913	Knife, 1-1/4"	271908	Knife, 15/16"	271642	Stitch Regulating Gear, 48 teeth
		271910	Knife, 1-1/16"	271643	Stitch Regulating Gear, 48 teeth
		271911	Knife, 1-1/8"	271645	Stitch Regulating Gear, 54 teeth
		271912	Knife, 1-3/16"	271646	Stitch Regulating Gear, 60 teeth
		39555	Knife 1-5/16"	271647	Stitch Regulating Gear, 60 teeth
		39556	Knife, 1-3/8"	271648	Stitch Regulating Gear, 60 teeth
		39557	Knife, 1-7/16"		
		271458	Stitch Regulating Gear, 40 teeth		

MACHINE 271K4  
DRIVING EQUIPMENT AND OTHER ACCESSORIES  
(Not Illustrated)

DRIVING EQUIPMENT		ACCESSORIES		SPECIAL FITTINGS	
NUMBER	DESCRIPTION	NUMBER	DESCRIPTION	NUMBER	DESCRIPTION
228909	Clamp Lifting Chain, 36" long, with 39575 and 39576	228784	Thread Unwinder (three spools) complete, 228767, 228768, 228771, 228774, 228782, 228783, three each 150203, 228769, 259373 and wood screws 7/8" No. 12 R. H. B.	271634	Stitch Regulating Gear, 30 teeth
250408	Machine Rest (high) with 232982 and two wood screws 1" No. 12			271635	Stitch Regulating Gear, 32 teeth
228349	Starting Chain complete, 228333, 228347, 228348, two each 39575 and 39576	27739	Thread Unwinder Thread Cone (wood)	271636	Stitch Regulating Gear, 36 teeth
228757	Treadle complete, 2718(813), 14372 to 14375, 17881, 50581(813), two each 23250, 51074(813) and 67425 (2)	225390	Thread Unwinder Thread Cone Holder	271637	Stitch Regulating Gear, 36 teeth
151223	Motor Mount and Belt Tightener complete, 51655(813), 150783, 151066, 151219 to 151222, two each 9281, 151068, four each 50807(813), 151369, eight each 1778(813), 9842, and 126150, for Series 38 continuous running Motor			271639	Stitch Regulating Gear, 40 teeth
39799	Knife, 3/8"			271640	Stitch Regulating Gear, 40 teeth
39800	Knife, 1/2"			271641	Stitch Regulating Gear, 45 teeth
39801	Knife, 5/8"			271643	Stitch Regulating Gear, 48 teeth
		39923	Clamp Check complete, for 13/16" to 1-1/4" buttonhole	271644	Stitch Regulating Gear, 50 teeth
		39840	Knife, 7/16"	271645	Stitch Regulating Gear, 54 teeth
		39831	Knife, 9/16"	271646	Stitch Regulating Gear, 60 teeth
		39841	Knife, 11/16"	271647	Stitch Regulating Gear, 60 teeth
		271458	Stitch Regulating Gear, 40 teeth	271648	Stitch Regulating Gear, 60 teeth
		271459	Stitch Regulating Gear, 44 teeth		

SPECIAL FITTINGS  
(Available on specific order)

MACHINE 271K201

SPECIAL FITTINGS  
(Available on specific order)

STITCH REGULATING GEARS

NUMBER	DESCRIPTION	NUMBER	DESCRIPTION
271458	Stitch Regulating Gear, 40 teeth	271640	Stitch Regulating Gear, 40 teeth
271459	Stitch Regulating Gear, 44 teeth	271642	Stitch Regulating Gear, 48 teeth
271634	Stitch Regulating Gear, 30 teeth	271643	Stitch Regulating Gear, 48 teeth
271635	Stitch Regulating Gear, 32 teeth	271644	Stitch Regulating Gear, 50 teeth
271636	Stitch Regulating Gear, 36 teeth	271645	Stitch Regulating Gear, 54 teeth
271637	Stitch Regulating Gear, 36 teeth	271646	Stitch Regulating Gear, 60 teeth
271638	Stitch Regulating Gear, 36 teeth	271647	Stitch Regulating Gear, 60 teeth
271639	Stitch Regulating Gear, 40 teeth	271648	Stitch Regulating Gear, 60 teeth



Form K7228  
 (367)  
 (Supplement to 271K Machine Service Manual)  
 and - Parts Chart

On-Off Parts List

for

271K Stabilized Needle Bar Machines

The part numbers noted below are the parts used on 271K Stabilized Needle Bar Machines, which differ from those parts used on the earlier models. All other parts are the same.

<u>271K</u>						<u>Description</u>
<u>K11</u>	<u>K12</u>	<u>K13</u>	<u>K14</u>	<u>K211</u>	<u>K212</u>	
98959	98959	98959	98960	98959	98959	Arm
98973	98973	98973	98974	98973	98973	Arm and Bed
98968	98968	98968	98968	98968	98968	Knife Holder Guide Stud
98961	98961	98961	98961	98961	98961	Needle Bar
98962	98962	98962	98962	98962	98962	Needle Bar Connecting Link
98964	98964	98964	98964	98964	98964	Needle Bar Connecting Link Guide Block with two 114002
114002	114002	114002	114002	114002	114002	Needle Bar Connecting Link Guide Block Screw
98965	98965	98965	98965	98965	98965	Needle Bar Connecting Stud with 114003
114003	114003	114003	114003	114003	114003	Needle Bar Connecting Stud Set Screw
98966	98966	98966	98967	98966	98966	Needle Bar Frame with 241189, 270200, 271610 and 271611