

SINGER
253-213

LIST OF PARTS



SINGER^{**} MACHINE No. 253-213

THE SINGER MANUFACTURING COMPANY

^{**} A Trademark of THE SINGER MANUFACTURING COMPANY

INDEX

	Page
Accessories	21
Belt Guard (Hinged)	21
Face Plate Thread Lubricator	22
Foot Lifter Parts	22
Knee Lifter Parts	23
Machine No. 253-213.....	7
Numerical List of Parts.....	25
Thread Unwinder (For Four Spools)	23

INSTRUCTIONS FOR ORDERING

In ordering from this list, use **ONLY** the part **NUMBER** in the **FIRST** column.

The number stamped on a Sewing Machine Part is in every case the number of the single part only.

Every combination of parts sent out as such has its specific number, which, although not stamped on the parts, must be used when ordering the combination.

Each number always indicates the **SAME PART** in whatever list it appears, or for whatever machine.

The letters after some of the numbers indicate the style of finish only, as follows:

- A—Hardened, Polished, Nickel Plated and Buffed
- B—Polished, Nickel Plated and Buffed
- C—Hardened Only
- D—Polished Only
- E—Soft, Not Polished
- F—Hardened and Polished
- G—Bright Rumbled and Nickel Plated
- H—Blued
- J—Nickel Plated Only
- K—Hardened and Nickel Plated
- L—Brass Plated
- M—Oxidized
- R—Phosphate Coating Formed on Surface of Iron or Steel
- S—Cadmium Plated
- T—Copper Plated
- U—Zinc Plated
- V—Silver Plated
- W—Polished and Nickel Plated
- X—Black Oxide for Iron and Steel
- Y—Black Nickel Plated Only
- Z—Chromium Plated
- A.A—Buffed and Chromium Plated
- A.B—Hardened, Polished, Buffed and Chromium Plated
- A.E—Hardened, Bright Rumbled and Nickel Plated
- A.F—Hardened, Bright Rumbled, Nickel Plated, Bright Rumbled and Chromium Plated
- A.G—Alumilite (Plain)
- A.H—Alumilite (Dyed) Color Must be Stated
- A.J—Polished, Nickel Plated and Chromium Plated
- A.K—Hardened, Polished, Nickel Plated and Chromium Plated
- A.L—Heat Treated for Toughness
- A.L.D—Heat Treated for Toughness and Polished
- A.L.X—Heat Treated for Toughness and Black Oxide

INSTRUCTIONS FOR ORDERING

- A.S—Black Moulded Phenolic
- A.T—Beige Moulded Phenolic
- A.U—Brown Moulded Phenolic
- A.W—Hardened then Flame Coated with Tungsten Carbide
- B.A—Chrome Nickel Satin Finish
- B.B—Hardened and Chrome Nickel, Satin Finished
- C.R—Hardened and Phosphate Coating Formed on Surface of Steel
- F.J—Hardened, Polished and Nickel Plated
- T.A—Hardened, Polished, Copper and Nickel Plated and Buffed
- T.B—Copper and Nickel Plated and Polished
- T.J—Copper and Nickel Plated Only
- T.K—Hardened, Copper and Nickel Plated
- T.L—Copper and Brass Plated
- T.M—Copper Plated and Oxidized
- X.C—Hardened and Black Oxide for Iron and Steel
- Z.A—Hardened, Polished Nickel Plated, Buffed and Chromium Plated
- Z.B—Polished, Nickel Plated, Buffed and Chromium Plated
- Z.C—Hardened and Chromium Plated
- Z.D—Polished and Chromium Plated
- Z.G—Bright Rumbled, Nickel Plated, Bright Rumbled and Chromium Plated
- Z.J—Nickel and Chromium Plated
- Z.T—Copper and Chromium Plated

These letters **MUST BE USED** when they appear in the list; and **AFTER** the number as in the list.

In this series:

1 to 1500, 50001 to 51500 and 140001 to 142,000 are screw numbers

1501 to 1800 and 51500 to 51800 are nut numbers

1801 to 2000 and 51801 to 52000 are roller numbers

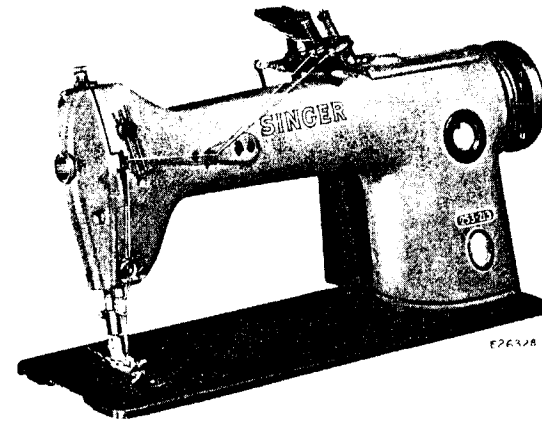
2001 to 50000 and 52001 to 140000 and 142001 to 190000 are Sewing Machine Parts, 190001 and upward are numbers of Electrical Parts.

The figures in the second column refer only to the plates, illustrating the parts, and are **NOT TO BE USED** in ordering.

Parts marked with an asterisk (*) are furnished only when repairs are made at the factory.

When ordering parts which differ as to gauge (the distance between seams), the gauge as well as the number must be given on the order.

FOR



MACHINE No. 253-213

For Seat Seaming Medium and Medium Heavy Trousers.
Two Needles, Two Loopers. Needles Set diagonally 1/32 in.
Apart. Length of stitches 6 to 20 to the inch. Needle
Bar Stroke 1 5/16 in.

No.	Plate	Name
*146863	----	Arm..... NOTE: When ordering No. 146863, state color required.
16532	25037	Arm Dowel Pin (2).....
146552	25037	Arm Screw (front) (2).....
146551	25037	Arm Screw Stud (back) (2).....
146865	25107	Arm Shaft (horizontal) with 1036AL, 140542AL and 140552AL.....
146866	----	Arm Shaft (horizontal) 146865 with 146581.
146864	25107	Arm Shaft (horizontal) Bevel Gear, right hand spiral with 140333AL and two 1259AL.....
140333AL	25107	Arm Shaft (horizontal) Bevel Gear Position Screw.....
1259AL	25107	Arm Shaft (horizontal) Bevel Gear Set Screw (2).....
143008	25107	Arm Shaft (horizontal) Bushing (center)...
140296AL	25107	Arm Shaft (horizontal) Bushing (center) Set Screw.....
147112	25107	Arm Shaft (horizontal) Flanged Bushing (back).....

SINGER Needles should be used
in SINGER Machines
These Needles and their Containers
are marked with the
Company's Trademark "SIMANCO" 1

Needles in Containers marked
"FOR SINGER MACHINES"
are NOT SINGER made needles 2

No.	Plate	Name
146790	25107	Arm Shaft (horizontal) Flanged Bushing (back) Oil Sump Tube with Holder.....
207E	25107	Arm Shaft (horizontal) Flanged Bushing (back) Oil Sump Tube Holder Screw....
140296AL	25107	Arm Shaft (horizontal) Flanged Bushing (back) Set Screw.....
146672	25107	Arm Shaft (horizontal) Flanged Bushing (front).....
140331AL	25107	Arm Shaft (horizontal) Flanged Bushing (front) Set Screw.....
144D	25107	Arm Shaft (horizontal) Screw (back)
140359E	25107	Arm Shaft (horizontal) Screw Plug(front)..
143236	25107	Arm Shaft (horizontal) Screw Plug(front). Washer (fiber).....
146661	25107	Arm Shaft (upright)
143015	25107	Arm Shaft (upright) Bevel Gear (lower) left hand spiral with two 1259AL.....
1259AL	25107	Arm Shaft (upright) Bevel Gear (lower) Set Screw (2).....
143015	25107	Arm Shaft (upright) Bevel Gear (upper) left hand spiral with two 1259AL.....
1259AL	25107	Arm Shaft (upright) Bevel Gear (upper) Set Screw (2).....
146505	25107	Arm Shaft (upright) Bushing (lower)
140298AL	25107	Arm Shaft (upright) Bushing (lower) Set Screw.....
147111	25107	Arm Shaft (upright) Bushing (upper)
140298AL	25107	Arm Shaft (upright) Bushing (upper) Set Screw.....
146867	25074	Arm Top Cover
	NOTE:	When ordering No. 146867, state color required.
146868	25074	Arm Top Cover and Stitch Regulator Cap ..
	NOTE:	When ordering No. 146868, state color required.
146869	25074	Arm Top Cover with Stitch Regulator Cap complete, Nos. 335X, 146868, 146870 and 146871
146870	25074	Arm Top Cover and Stitch Regulator Cap Gasket (cork)
146871	25074	Arm Top Cover and Stitch Regulator Cap Latch.....
335X	25074	Arm Top Cover and Stitch Regulator Cap Latch Screw
146508	25074	Arm Top Cover Gasket
51369R	25074	Arm Top Cover Screw (4).....
146872	25108	Attachment Slide.....
146873	25108	Attachment Slide complete, Nos. 51282X, 146872 and 146874
146874	25108	Attachment Slide Spring
51282X	25108	Attachment Slide Spring Screw.....
*146876	-----	Bed with 146570 and two each 126150 and 140734E.....

NOTE: Due to the accuracy required for gear alignment, Bed cannot be supplied separately and can only be sent out as a unit, Arm and Bed Assembled.

No.	Plate	Name
143024	25107	Bed Hole Plug.....
146514	25037	Bed Leg (back).....
965E	25037	Bed Leg (back) Screw (2).....
146877	25037	Bed Leg (front, long).....
146516	25073	Bed Rotary Shaft
146650	-----	Bed Rotary Shaft 146516 with 146558.....
146517	25073	Bed Rotary Shaft Bevel Gear, right hand spiral with two 1259AL.....
1259AL	25073	Bed Rotary Shaft Bevel Gear Set Screw (2).....
146518	25073	Bed Rotary Shaft Bushing (back)
50554AL	25073	Bed Rotary Shaft Bushing (back) Set Screw
146519	25073	Bed Rotary Shaft Bushing (front)
50554AL	25073	Bed Rotary Shaft Bushing (front) Set Screw.....
146520	25073	Bed Rotary Shaft Bushing (intermediate) ..
448AL	25073	Bed Rotary Shaft Bushing (intermediate) Set Screw.....
64342	25073	Bed Rotary Shaft Collar with 454AL.....
454AL	25073	Bed Rotary Shaft Collar Set Screw... ..
146521	25041	Bed Slide (left)
4307	25041	Bed Slide (left) Spring
725X	25041	Bed Slide (left) Spring Screw (2).....
146522	25041	Bed Slide (left) complete, Nos. 4307, 146521 and two 725X.....
146006	25108	Bed Slide (right, button type) for 146007..
146523	-----	Bed Slide (right, button type) for 146526..
146834	-----	Bed Slide (right, button type) for 146835..
146848	-----	Bed Slide (right, button type) for 146846..
146849	-----	Bed Slide (right, button type) for 146847..
146061	25108	Bed Slide (right, latch type for 146062... ..
146687	-----	Bed Slide (right, latch type for 146692... ..
146722	-----	Bed Slide (right, latch type for 146723... ..
146820	-----	Bed Slide (right, latch type for 146821... ..
146827	-----	Bed Slide (right, latch type for 146828... ..
146007	25108	Bed Slide (right, button type) complete for Throat Plates with no off-set, Nos. 1423X, 146006, 146524, 146525 and two 240C
146526	-----	Bed Slide (right, button type) complete for Throat Plates with 3/64 in. off-set, Nos. 1423X, 146523, 146524, 146525 and two 240C.....
146835	-----	Bed Slide (right, button type) complete for Throat Plates with 3/32 in. off-set, Nos. 1423X, 146524, 146525, 146834 and two 240C.....
146846	-----	Bed Slide (right, button type) complete for Throat Plates with 9/64 in. off-set, Nos. 1423X, 146524, 146525, 146848 and two 240C.....

No.	Plate	Name
146847	-----	Bed Slide (right, button type) complete for Throat Plates with 3/16 in. off-set, Nos. 1423X, 146524, 146525, 146849 and two 240C.....
146062	25108	Bed Slide (right, latch type) complete for Throat Plates with no off-set, Nos. 146061, 146688, 146689, 146690, 146691 and four 1470X.....
146692	-----	Bed Slide (right, latch type) complete for Throat Plates with 3/64 in. off-set, Nos. 146687, 146688, 146689, 146690, 146691 and four 1470X.....
146828	-----	Bed Slide (right, latch type) complete for Throat Plates with 3/32 in. off-set, Nos. 146688, 146689, 146690, 146691, 146827 and four 1470X.....
146723	-----	Bed Slide (right, latch type) complete for Throat Plates with 9/64 in. off-set, Nos. 146688, 146689, 146690, 146691, 146722 and four 1470X.....
146821	-----	Bed Slide (right, latch type) complete for Throat Plates with 3/16 in. off-set, Nos. 146688, 146689, 146690, 146691, 146820 and four 1470X.....
146525	-----	Bed Slide (right) Knob.....
146688	25108	Bed Slide (right) Latch.....
146689	25108	Bed Slide (right) Latch Guide.....
1470X	25108	Bed Slide (right) Latch Guide Screw (2)...
146690	25108	Bed Slide (right) Latch Spring.....
146691	25108	Bed Slide (right) Spring.....
146524	25108	Bed Slide (right) Spring.....
1423X	25108	Bed Slide (right) Spring Screw.....
1470X	25108	Bed Slide (right) Spring Screw (2).....
240C	25108	Bed Slide (right) Spring Stop Screw (2)...
146878	-----	Combination of Feed and Stitch Regulator Parts, Nos. 143015, 146537, 146545, 146864, 146883 and 146884.....
146528	25041	Face Plate.....
		NOTE: When ordering No. 146528, state color required.
146529	25041	Face Plate Gasket.....
140061J	25041	Face Plate Screw (lower) (3).....
140050J	25041	Face Plate Screw (upper).....
146879	25072	Feed Bar.....
146880	-----	Feed Bar 146879 with 1607X and 140695X..
146949	-----	Feed Bar 146880 with 146935.....
147022	25072	Feed Bar Carrier with two each 158E and 176E.....
158E	25072	Feed Bar Carrier Clamping Screw (2)....
147023	25072	Feed Bar Carrier Hinge Pin.....
176E	25072	Feed Bar Carrier Hinge Pin Clamping Screw (2).....
143031	25072	Feed Bar Carrier Oil Wick.....
143032	25072	Feed Bar Carrier Oil Wick Holder.....

No.	Plate	Name
147024	-----	Feed Bar Carrier Oil Wick Holder 143032 with 143031.....
228E	25072	Feed Bar Carrier Oil Wick Holder Screw (2).....
146934	25072	Feed Bar Slide Block.....
146881	25072	Feed Bar Slide Block Oil Wick.....
146539	25072	Feed Bar Slide Block Oil Wick Holder....
146882	-----	Feed Bar Slide Block Oil Wick Holder 146539 with 146881.....
50579J	25072	Feed Bar Slide Block Oil Wick Holder Screw.....
146677	25112	Feed Dog, 14 teeth (10 teeth to the inch)..
157J	25112	Feed Dog Screw.....
140695X	25072	Feed Dog Stop Screw.....
1607X	25072	Feed Dog Stop Screw Nut.....
51061AL	25107	Feed Eccentric Body Set Screw (3).....
7071	25107	Feed Eccentric Clamping Washer (2) ...
217J	25107	Feed Eccentric Clamping Washer Screw (2).....
146883	25107	Feed Eccentric (adjustable) complete, Nos. 50328C, two each 217J, 7071 and three 51061AL.....
146884	25107	Feed Lifting Eccentric with three 440AL..
440AL	25107	Feed Lifting Eccentric Set Screw (3).....
146885	25072	Feed Lifting Rock Shaft.....
143052	25072	Feed Lifting Rock Shaft and Feed Rock Shaft Oil Wick Holder.....
228E	25072	Feed Lifting Rock Shaft and Feed Rock Shaft Oil Wick Holder Screw.....
147042	25072	Feed Lifting Rock Shaft Bushing (back)...
146933	25072	Feed Lifting Rock Shaft Bushing (front)...
447AL	25072	Feed Lifting Rock Shaft Bushing Set Screw (2).....
143039	25072	Feed Lifting Rock Shaft Cap.....
223E	25072	Feed Lifting Rock Shaft Cap Screw (2)...
147029	25072	Feed Lifting Rock Shaft Collar with two 460AL (2).....
460AL	25072	Feed Lifting Rock Shaft Collar Set Screw (2).....
146537	25107	Feed Lifting Rock Shaft Connecting Rod...
146887	25107	Feed Lifting Rock Shaft Connecting Rod Hinge Pin.....
462AL	25072	Feed Lifting Rock Shaft Connecting Rod Hinge Pin Set Screw.....
146888	25072	Feed Lifting Rock Shaft Crank (back) with 462AL and two 50083AL.....
50083AL	25072	Feed Lifting Rock Shaft Crank (back) Clamping Screw (2).....
146889	25072	Feed Lifting Rock Shaft Crank (front) with 157X.....
146935	-----	Feed Lifting Rock Shaft Crank (front) 146889 with 146934.....
157X	25072	Feed Lifting Rock Shaft Crank (front) Clamping Screw.....

No.	Plate	Name
146945	25072	Feed Lifting Rock Shaft Hole Plug.....
140359E	25072	Feed Lifting Rock Shaft Oil Plug Screw...
143236	25072	Feed Lifting Rock Shaft Oil Plug Screw Washer (fiber)
146891	25072	Feed Lifting Rock Shaft Oil Wick.....
146892	25072	Feed Lifting Rock Shaft Oil Wick (long)...
147037	25072	Feed Lifting Rock Shaft Oil Wick (short) (2)
147047	25072	Feed Lifting Rock Shaft Oil Wick Clamping Plate
197E	25072	Feed Lifting Rock Shaft Oil Wick Clamping Screw.....
50328C	25107	Feed Regulating Screw.....
146893	25072	Feed Rock Shaft.....
146894	-----	Feed Rock Shaft, Nos. 197E, 140359E, 143236, 146891, 146893, 146896, 147047 and two 147045.....
147042	25072	Feed Rock Shaft Bushing (back).....
147043	25072	Feed Rock Shaft Bushing (front)
447AL	25072	Feed Rock Shaft Bushing Set Screw (2) ...
143048	25072	Feed Rock Shaft Cap.....
223E	25072	Feed Rock Shaft Cap Screw (2)
147029	25072	Feed Rock Shaft Collar with two 460AL...
460AL	25072	Feed Rock Shaft Collar Set Screw (2).....
146545	25107	Feed Rock Shaft Connecting Rod
146887	25107	Feed Rock Shaft Connecting Rod Hinge Pin
462AL	25072	Feed Rock Shaft Connecting Rod Hinge Pin Set Screw
146895	25072	Feed Rock Shaft Crank with 462AL and two 157X.....
157X	25072	Feed Rock Shaft Crank Clamping Screw (2)
140359E	25072	Feed Rock Shaft Oil Plug Screw.....
143236	25072	Feed Rock Shaft Oil Plug Screw Washer (fiber).....
146891	25072	Feed Rock Shaft Oil Wick
146896	25072	Feed Rock Shaft Oil Wick (long)
147045	25072	Feed Rock Shaft Oil Wick (short) (2)
147047	25072	Feed Rock Shaft Oil Wick Clamping Plate.
197E	25072	Feed Rock Shaft Oil Wick Clamping Plate Screw
146678	25113	Looper (back) closed eye
1253AL	25113	Looper (back) Set Screw
146679	25113	Looper (front) closed eye
1253AL	25113	Looper (front) Set Screw.....
146550	25073	Looper Avoiding Eccentric with two 1259AL
146553	25073	Looper Avoiding Eccentric Connection (forked) with two 896AL
896AL	25073	Looper Avoiding Eccentric Connection Clamping Screw (2)
1259AL	25073	Looper Avoiding Eccentric Set Screw (2) .
146554	25073	Looper Avoiding Eccentric Slide Block ...
146556	25073	Looper Ball Crank

No.	Plate	Name
146897	25113	Looper Ball Crank Arm with 51320AL.....
146923	25113	Looper Ball Crank Arm 146897 with 1520J, 128551 and 146919
51320AL	25113	Looper Ball Crank Arm Clamping Screw ..
132790	25073	Looper Ball Crank Connection Ball Sleeve (two pieces).....
164232	25073	Looper Ball Crank Connection Ball Sleeve Guide
146557	25073	Looper Ball Crank Connection, Nos. two each 896AL, 51715AL, 131927 and 131928
146558	-----	Looper Ball Crank Connection 146557 with 132790, 146556 and 164232.....
896AL	25073	Looper Ball Crank Connection Cap (lower) Screw (2)
131927	25073	Looper Ball Crank Connection Cap (upper) Screw Stud (2)
51715AL	25073	Looper Ball Crank Connection Cap (upper) Screw Stud Nut (2)
131928	25073	Looper Ball Crank Connection Cap (upper) Screw Stud Nut Lock Washer (2).....
146559	25073	Looper Ball Crank Hinge Pin.....
448AL	25073	Looper Ball Crank Hinge Pin Set Screw (2)
146948	25113	Looper Ball Crank Pitman Ball Screw Stud (right)
1520J	25113	Looper Ball Crank Pitman Ball Screw Stud (right) Nut
128551	25113	Looper Ball Crank Pitman Ball Screw Stud (right) Nut Locking Plate.....
146730	25113	Looper Ball Crank Pitman End Bearing (left) Body with two 175AL.....
175AL	25113	Looper Ball Crank Pitman End Bearing (left) Cap Screw (2)
1664J	25113	Looper Ball Crank Pitman End Bearing (left) Nut
146918	25113	Looper Ball Crank Pitman End Bearing (right) Body with two 175AL
175AL	25113	Looper Ball Crank Pitman End Bearing (right) Cap Screw (2).....
146919	-----	Looper Ball Crank Pitman End Bearing (right) 146918 with 146948.....
146936	25113	Looper Ball Crank Pitman Rod.....
146937	25113	Looper Ball Crank Pitman Rod 146936 with 51769C
146938	25113	Looper Ball Crank Pitman Rod with Throw-out Device complete, Nos. 29043, 50169J, 146732, 146733, 146754, 146904, 146937 and two 51159J.....
51769C	25113	Looper Ball Crank Pitman Rod
146947	25113	Looper Ball Crank Pitman Rod Oil Shield..
51460E	25113	Looper Ball Crank Pitman Rod Oil Shield Screw
7071	25113	Looper Ball Crank Pitman Rod Oil Shield Screw Washer.....

No.	Plate	Name
146565	25113	Looper Holder with 896AL and two 1253AL
146739	25113	Looper Holder 146565 with 1664J, 146567 and 146730.....
146567	25113	Looper Holder Bushing (eccentric) with 146647
146647	25113	Looper Holder Bushing Pin.....
896AL	25113	Looper Holder Clamping Screw
146568	25073	Looper Holder Hinge Pin.....
146569	25073	Looper Holder Rock Shaft with 140439E...
*146570	-----	Looper Holder Rock Shaft Bracket.....
		NOTE: Due to the accuracy required for Looper Rock Shaft alignment, Looper Holder Rock Shaft Bracket cannot be supplied separately and can only be sent out as a Unit, Arm, Bed and Looper Holder Rock Shaft Bracket assembled.
143126	-----	Looper Holder Rock Shaft Bracket Oil Pipe Clamping Sleeve Adaptor.....
231E	-----	Looper Holder Rock Shaft Bracket Oil Plug Screw (2)
140734E	25037	Looper Holder Rock Shaft Bracket Screw (2).....
126150	-----	Looper Holder Rock Shaft Bracket Screw Washer (2).....
146571	25073	Looper Holder Rock Shaft Bushing (back)
448AL	25073	Looper Holder Rock Shaft Bushing (back) Set Screw
146572	25073	Looper Holder Rock Shaft Bushing (front)
448AL	25073	Looper Holder Rock Shaft Bushing (front) Set Screw.....
140439E	25073	Looper Holder Rock Shaft Oil Plug Screw .
146732	25113	Looper Throw-out Releaser
146733	25113	Looper Throw-out Releaser Cap
51159J	25113	Looper Throw-out Releaser Cap Screw (2).
146754	25113	Looper Throw-out Sleeve.....
146904	25113	Looper Throw-out Spring.....
50169J	25113	Looper Throw-out Spring Screw.....
29043	25113	Looper Throw-out Spring Screw Washer ..
146924	-----	Looper Throw-out Device and Pitman Rod complete, Nos. 1520J, 128551, 146919 and 146938 (for Agents only).....
146512	25074	Machine Pulley (disc power) "V" belt groove (outside diameter of belt groove 2.9 in.) with two 51283AL
51283AL	25074	Machine Pulley Set Screw (2).....
146573	25114	Needle Bar (hollow).....
146680	-----	Needle Bar complete, Nos. 146573 and 146681
146907	25114	Needle Bar Bushing (lower)
1133E	25114	Needle Bar Bushing (lower) Set Screw....
146804	25114	Needle Bar Bushing (lower and upper) Oil Wick.....
146805	25114	Needle Bar Bushing (lower and upper) Oil Wick complete, Nos. 146703, 146804 and two 146580.....

No.	Plate	Name
146703	25114	Needle Bar Bushing (lower and upper) Oil Wick Clamp and Retainer.....
146580	25114	Needle Bar Bushing (lower and upper) Oil Wick Clip (2).....
146576	25114	Needle Bar Bushing (upper)
140440J	25114	Needle Bar Bushing (upper) Oil Plug Screw.....
1133E	25114	Needle Bar Bushing (upper) Set Screw....
146959	25114	Needle Bar Connecting Link
146581	-----	Needle Bar Connecting Link 146959 with 146582
146582	25107	Needle Bar Connecting Link Hinge Stud ...
140552AL	25107	Needle Bar Connecting Link Hinge Stud Clamping Screw
1036AL	25107	Needle Bar Connecting Link Hinge Stud Position Set Screw
175E	25114	Needle Bar Connecting Stud Clamping Screw
139110	25114	Needle Bar Connecting Stud Oil Pad (wick)
139111	25114	Needle Bar Connecting Stud Slide Block...
146908	25114	Needle Bar Connecting Stud Slide Block Guide
SS329E	25114	Needle Bar Connecting Stud Slide Block Guide Screw (2)
140542AL	25107	Needle Bar Crank Position Screw
146665	25047	Needle Bar Thread Retainer (lower).....
146666	25047	Needle Bar Thread Retainer (upper).....
146585	25047	Needle Bar Thread Retainer Bracket
146586	25047	Needle Bar Thread Retainer Bracket complete, Nos. 10107, 140546C, 146585, 146665, 146666 and two each 42483, 50163XC and 54865
402J	25047	Needle Bar Thread Retainer Bracket Screw.....
42483	25047	Needle Bar Thread Retainer Disc (2).....
140546C	25047	Needle Bar Thread Retainer Screw.....
50163XC	25047	Needle Bar Thread Retainer Screw (2)...
54865	25047	Needle Bar Thread Retainer Screw Washer (2).....
10107	25047	Needle Bar Thread Retainer Spring.....
146681	25114	Needle Clamp with two 50014F.....
146682	25108	Needle Guard
146742	25108	Needle Guard Holder.....
146743	25108	Needle Guard Holder Bracket.....
190J	25108	Needle Guard Holder Bracket Screw.....
190J	25108	Needle Guard Holder Screw.....
176J	25108	Needle Guard Screw
50014F	25114	Needle Set Screw (2).....
146591	25046	Oil Flow Body.....
143061	25046	Oil Flow Body Gasket (2).....
143062	25046	Oil Flow Window
143063	25046	Oil Flow Window Cap
50257X	25046	Oil Flow Window Cap Screw (4).....
143370	25046	Oil Lead.....

No.	Plate	Name
146703	25114	Needle Bar Bushing (lower and upper) Oil Wick Clamp and Retainer.....
146580	25114	Needle Bar Bushing (lower and upper) Oil Wick Clip (2).....
146576	25114	Needle Bar Bushing (upper)
140440J	25114	Needle Bar Bushing (upper) Oil Plug Screw.....
1133E	25114	Needle Bar Bushing (upper) Set Screw....
146959	25114	Needle Bar Connecting Link
146581	-----	Needle Bar Connecting Link 146959 with 146582
146582	25107	Needle Bar Connecting Link Hinge Stud ..
140552AL	25107	Needle Bar Connecting Link Hinge Stud Clamping Screw
1036AL	25107	Needle Bar Connecting Link Hinge Stud Position Set Screw
175E	25114	Needle Bar Connecting Stud Clamping Screw
139110	25114	Needle Bar Connecting Stud Oil Pad (wick)
139111	25114	Needle Bar Connecting Stud Slide Block...
146908	25114	Needle Bar Connecting Stud Slide Block Guide
SS329E	25114	Needle Bar Connecting Stud Slide Block Guide Screw (2)
140542AL	25107	Needle Bar Crank Position Screw
146665	25047	Needle Bar Thread Retainer (lower).....
146666	25047	Needle Bar Thread Retainer (upper).....
146585	25047	Needle Bar Thread Retainer Bracket
146586	25047	Needle Bar Thread Retainer Bracket complete, Nos. 10107, 140546C, 146585, 146665, 146666 and two each 42483, 50163XC and 54865
402J	25047	Needle Bar Thread Retainer Bracket Screw
42483	25047	Needle Bar Thread Retainer Disc (2).....
140546C	25047	Needle Bar Thread Retainer Screw
50163XC	25047	Needle Bar Thread Retainer Screw (2)...
54865	25047	Needle Bar Thread Retainer Screw Washer (2).....
10107	25047	Needle Bar Thread Retainer Spring.....
146681	25114	Needle Clamp with two 50014F.....
146682	25108	Needle Guard
146742	25108	Needle Guard Holder.....
146743	25108	Needle Guard Holder Bracket.....
190J	25108	Needle Guard Holder Bracket Screw.....
190J	25108	Needle Guard Holder Screw.....
176J	25108	Needle Guard Screw
50014F	25114	Needle Set Screw (2).....
146591	25046	Oil Flow Body.....
143061	25046	Oil Flow Body Gasket (2).....
143062	25046	Oil Flow Window
143063	25046	Oil Flow Window Cap
50257X	25046	Oil Flow Window Cap Screw (4).....
143370	25046	Oil Lead.....

No.	Plate	Name
146696	25037	Oil Removing Wick (head end) Hinge Plate and Cover.....
146697	25037	Oil Removing Wick (head end) Hinge Plate and Cover Gasket.....
1364X	25037	Oil Removing Wick (head end) Hinge Plate and Cover Screw (3)
146604	25073	Oil Wick, for oiling Looper Ball Crank Pitman End Bearing (left)
146605	25073	Oil Wick Holder
193E	25073	Oil Wick Holder Tube Bracket Screw.....
146606	25073	Oil Wick Position Bracket with 140239AL..
140239AL	25073	Oil Wick Position Bracket Screw
139462	25114	Presser Bar
146751	25114	Presser Bar Bushing (lower)
1133E	25114	Presser Bar Bushing (lower) Set Screw...
146694	25114	Presser Bar Lifting Bracket with 1057AL .
1057AL	25114	Presser Bar Lifting Bracket Clamping Screw
146676	25097	Presser Bar Lifting Bracket Lifter.....
807X	25097	Presser Bar Lifting Bracket Lifter Hinge Screw
146791	25097	Presser Bar Lifting Lever.....
146609	25097	Presser Bar Lifting Lever Extension
161X	25097	Presser Bar Lifting Lever Extension Screw (2)
802X	25097	Presser Bar Lifting Lever Hinge Screw...
146610	25097	Presser Bar Lifting Lever Spring
146611	25114	Presser Bar Spring.....
146612	25114	Presser Bar Spring Guide Pin.....
146752	25114	Presser Bar Stop with 190J.....
190J	25114	Presser Bar Stop Clamping Screw.....
131349	25112	Presser Foot Knife.....
239J	25112	Presser Foot Knife Screw
131568	25112	Presser Foot Plate
68140	25112	Presser Foot Plate Hinge Pin
725J	25112	Presser Foot Plate Hinge Pin Set Screw...
146683	25112	Presser Foot Shank with 725J
146684	25112	Presser Foot (hinged) with Knife complete, Nos. 239J, 68140, 131349, 131568 and 146683.....
131560	25112	Presser Foot Plate
		NOTE: When ordering No. 131560, state gauge required.
26276	25112	Presser Foot Plate Hinge Pin
146780	25112	Presser Foot Shank.....
131561	25112	Presser Foot (hinged) complete, Nos. 26276, 131560 and 146780.....
		NOTE: When ordering No. 131561, state gauge required.
190J	25114	Presser Foot Screw.....
140441W	25114	Pressure Regulating Thumb Screw.....
51614W	25114	Pressure Regulating Thumb Screw Nut....
146617	25050	Slack Thread Controller
54242	25050	Slack Thread Controller Clamp.....

No.	Plate	Name
176J	25050	Slack Thread Controller Clamp Screw...
140239AL	25050	Slack Thread Controller Position Screw..
2102	25098	Tension (looper thread) Disc (4)
51570C	25098	Tension (looper thread) Regulating Thumb Nut (2).....
146792	25099	Tension (looper thread) Releaser (2)
146794	25099	Tension (looper thread) Releaser Slide...
146620	25099	Tension (looper thread) Releaser Slide Connecting Link
110C	25099	Tension (looper thread) Releaser Slide Connecting Link Hinge Screw.....
72C	25099	Tension (looper thread) Releaser Slide Hinge Screw (2).....
217J	25099	Tension (looper thread) Releaser Screw (2).....
146801	25099	Tension (looper thread) Releaser Nos. 110C, 146620, 146794, 146796, 146797 and two each 72C, 217J, 146792 and 146795.....
140442C	25098	Tension (looper thread) Screw Stud (2)...
146618	-----	Tension (looper thread) Screw Stud 140442C with 51570C (2).....
131740	25098	Tension (looper thread) Spring (2).....
59537	25098	Tension (looper thread) Spring Bushing (large) (2)
59538	25098	Tension (looper thread) Spring Bushing (small) (2)
146619	25098	Tension (looper thread) Thread Guard ...
131696	25098	Tension (looper thread) Thread Guide (2).
68002	25097	Tension (needle thread) Bracket.....
140443J	25097	Tension (needle thread) Bracket Screw...
2102	25097	Tension (needle thread) Disc (4).....
51570C	25097	Tension (needle thread) Regulating Thumb Nut (2)
32572	25097	Tension (needle thread) Releasing Disc (2).....
54988	25097	Tension (needle thread) Releasing Pin (2)
68003	25097	Tension (needle thread) Releasing Shaft..
54872	25097	Tension (needle thread) Releasing Shaft Crank with 624AL.....
146620	25097	Tension (needle thread) Releasing Shaft Crank Connecting Link
110C	25097	Tension (needle thread) Releasing Shaft Crank Connecting Link Hinge Screw (2).
624AL	25097	Tension (needle thread) Releasing Shaft Crank Set Screw
68261	25097	Tension (needle thread) Releasing Shaft Spring.....
316C	25097	Tension (needle thread) Releasing Shaft Stop Screw
1547J	25097	Tension (needle thread) Releasing Shaft Stop Screw Nut
50326C	25097	Tension (needle thread) Screw Stud (2) ..

No.	Plate	Name
59539	-----	Tension (needle thread) Screw Stud 50326C with 51570C (2).....
225X	25077	Tension (needle thread) Screw Stud Hole Plug.....
131741	25097	Tension (needle thread) Spring (2).....
59537	25097	Tension (needle thread) Spring Bushing (large) (2).....
59538	25097	Tension (needle thread) Spring Bushing (small) (2)
131696	25097	Tension (needle thread) Thread Guide (2) ..
146621	25073	Thread (looper) Take-up with 465AL
1029J	25073	Thread (looper) Take-up Screw.....
146622	25073	Thread (looper) Take-up Screw Washer (fiber)
465AL	25073	Thread (looper) Take-up Set Screw.....
146623	25047	Thread (looper) Take-up Stripper.....
146624	25047	Thread (looper) Take-up Stripper Holder with 906AL
146625	25047	Thread (looper) Take-up Stripper Plate...
146603	-----	Thread (looper) Take-up Stripper Plate 146625 with 237J, 139148, 146623, 146624, 146626, 146628 and two 190J...
237J	25047	Thread (looper) Take-up Stripper Plate Screw
146626	25047	Thread (looper) Take-up Stripper Plate Support Plate (2).....
		NOTE: One No. 146626 is screwed onto Machine Bed.
190X	25047	Thread (looper) Take-up Stripper Plate Support Plate Screw (4)
906AL	25047	Thread (looper) Take-up Stripper Set Screw
139148	25047	Thread (looper) Take-up Stripper Staple..
190J	25047	Thread (looper) Take-up Stripper Staple Screw (2).....
146627	25047	Thread (looper) Take-up Thread Guide (left).....
237J	25047	Thread (looper) Take-up Thread Guide (left) Screw.....
146628	25047	Thread (looper) Take-up Thread Guide (right)
237J	25047	Thread (looper) Take-up Thread Guide (right) Screw
146631	25098	Thread (looper) Thread Tube.....
1628X	25098	Thread (looper) Thread Tube Screw Stud Nut
146671	25098	Thread (looper) Thread Tube Screw Stud Nut Washer.....
146632	25098	Thread (looper) Thread Tube Thread Guide
50027J	25098	Thread (looper) Thread Tube Thread Guide Screw
146795	25099	Thread (looper) Uncurler (2)
146796	25099	Thread (looper) Uncurler Plate (back)....
146797	25099	Thread (looper) Uncurler Plate (front) ...
146633	25050	Thread (needle) Eyelet (side of arm).....

PARTS FOR MACHINE NO. 253-213

No.	Plate	Name
176J	25050	Thread (needle) Eyelet (side of arm) Position Screw.....
7071	25050	Thread (needle) Eyelet (side of arm) Position Screw Washer
724J	25050	Thread (needle) Eyelet (side of arm) Screw.....
146634	25114	Thread (needle) Take-up with 51460E
51460E	25114	Thread (needle) Take-up Clamping Screw.
54095	25114	Thread (needle) Take-up Plate
68164	25114	Thread (needle) Take-up Plate Spring....
1449J	25114	Thread (needle) Take-up Plate Spring Screw.....
146635	25114	Thread (needle) Take-up complete, Nos. 1449J, 54095, 68164 and 146634
139158	25050	Thread (needle) Thread Guide (2).....
146629	25050	Thread (needle) Thread Guide Bracket ...
146630	25050	Thread (needle) Thread Guide Bracket Support
NOTE: When ordering No. 146630 state color required.		
140443J	25050	Thread (needle) Thread Guide Bracket Screw
217J	25050	Thread (needle) Thread Guide Bracket Support Screw (lower)
237J	25050	Thread (needle) Thread Guide Bracket Support Screw (upper)
229J	25050	Thread (needle) Thread Guide Screw (4)..
146685	25112	Throat Plate.....
691F	25112	Throat Plate Screw (2)

**SINGER Needles should be used
in SINGER Machines
These Needles and their Containers
are marked with the
Company's Trademark "SIMANCO" 1**

**Needles in Containers marked
"FOR SINGER MACHINES"
are NOT SINGER made needles 2**

ACCESSORIES

No.	Plate	Name
146637	25015	Machine Base and Oil Reservoir.....
146638	25015	Machine Base and Oil Reservoir 146637 with 146639, 146693, 146695 and two 146640 (for Agents only)
146639	25015	Machine Base and Oil Reservoir Gasket (left).....
146693	25015	Machine Base and Oil Reservoir Oil Return Wick
146695	25015	Machine Base and Oil Reservoir Oil Return Wick Position Pad (felt).....
12361	25090	Machine Hinge Connection (2).....
143308	25090	Machine Cushion (felt) (4)
146640	25015	Machine Pad (felt) (2).....
41400	25090	Machine Rest Pin (wood)
120344	25090	Oiler with 120345.....
120345	25090	Oiler Spout.....
121741	25090	One Quart Can of Light Grade Stainless Oil Screw Driver
120440	25090	Screw Driver
121108	25090	Tweezers (curved).....
120341	25090	Wrench.....
8908	25090	Wrench.....
23535	25090	Wrench.....
42850	25090	Wrench.....
146057	25090	Wrench (socket) for 140552AL
151281	25090	Wrench (socket).....

BELT GUARD (Hinged)

No.	Plate	Name
151362	25091	Belt Guard Bottom Section with 2273 and 140321C
151363	25091	Belt Guard Top Section with 151366 and two 219R.....
151366	25091	Belt Guard Top Section Fill-in Plate.....
219R	25091	Belt Guard Top Section Fill-in Plate Screw (2).....
151364	25091	Belt Guard Top Section Hinge Pin.....
140321C	25091	Belt Guard Top Section Hinge Pin Set Screw
151365	25091	Belt Guard Top Section Lock Spring
2273	25091	Belt Guard Top Section Lock Spring Position Pin.....
217E	25091	Belt Guard Top Section Lock Spring Screw.
151367	25091	Belt Guard (hinged) complete, Nos. 217E, 151362, 151363, 151364, 151365 and two wood screws 1 1/4 in. No. 12 F.H.B. ..

NOTE: No. 151367 is furnished only when ordered.

No.	Plate	Name
146810	25051	Thread Lubricator Adaptor.....
140224J	25051	Thread Lubricator Adaptor Screw.....
7071	25051	Thread Lubricator Adaptor Screw Washer.....
241755	25051	Thread Lubricator Oil Pad (felt).....
146806	25051	Thread Lubricator Oil Pad Holder.....
146807	-----	Thread Lubricator Oil Pad Holder 146806 with 62827, 240439 and 241755.....
240439	25051	Thread Lubricator Oil Pad Retainer.....
17822	25051	Thread Lubricator Oil Reservoir Rivet....
8068	25051	Thread Lubricator Oil Reservoir Rivet Washer (inside).....
124371	25051	Thread Lubricator Oil Reservoir Rivet Washer (outside).....
62827	25051	Thread Lubricator Oil Wick.....
146808	-----	Thread Lubricator complete, Nos. 8068, 17822, 124371 and 146807.....
146809	25051	Thread Lubricator 146808 with 7071, 21202 50222J, 140224J and 146810.....
50222J	25051	Thread Lubricator Screw.....
21202	25051	Thread Lubricator Screw Washer.....

FOOT LIFTER PARTS

No.	Plate	Name
6439	-----	Chain, 36 in. to 45 in., with 56864 and 56865.....
		NOTE: When ordering No. 6439, state length required.
4879	25030	Chain Connecting Link.....
56864	-----	Chain Hook (large).....
56865	-----	Chain Hook (small).....
126249	25030	Treadle.....
4882	25030	Treadle Shaft.....
126250	25030	Treadle Spring.....
150451	25030	Treadle Stand.....
150452	25030	Treadle complete, Nos. 4879, 4882, 126249, 126250, 150451 and two wood screws 1 in. No. 16 F.H.....

No.	Plate	Name
146764	25030	Chain, length 10 1/4 in., with 46865 and 56865.....
56865	25030	Chain Hook.....
46865	25030	Chain Link.....
146765	25030	Rock Shaft.....
146766	25030	Rock Shaft Hanger with two wood screws 1 in. No. 10 F.H. (2).....
143283	25030	Rock Shaft Knee Arm.....
143285	-----	Rock Shaft Knee Arm complete, Nos. 2767, 143283 and 143284.....
143284	25030	Rock Shaft Knee Arm Hub with 356C and 140351AL.....
140351AL	25030	Rock Shaft Knee Arm Hub Clamping Screw.....
356C	25030	Rock Shaft Knee Arm Hub Set Screw.....
2767	25030	Rock Shaft Knee Arm Plate with 356C.....
356C	25030	Rock Shaft Knee Arm Plate Set Screw.....
6337	25030	Rock Shaft Lifting Bracket with two 356C..
7125	25030	Rock Shaft Lifting Bracket Hook.....
356C	25030	Rock Shaft Lifting Bracket Hook Set Screw.....
356C	25030	Rock Shaft Lifting Bracket Set Screw.....
146768	25030	Rock Shaft Spring.....
1115X	25030	Rock Shaft Spring Screw.....
146769	25030	Rock Shaft Stop Dog (back) with 140351AL..
146770	25030	Rock Shaft Stop Dog (front) with 140351AL..
140351AL	25030	Rock Shaft Stop Dog Clamping Screw (2)...
146771	25030	Rock Shaft complete, Nos. 1115AL, 6337, 7125, 143285, 146765, 146768, 146769, 146770 and two 146766.....
146779	25030	Knee Lifter complete, Nos. 146764 and 146771.....

THREAD UNWINDER (For Four Spools)

No.	Plate	Name
151032	25106	Base with 138R and three wood screws 1 in. No. 12 F.H.....
228764	25106	Spool Pin (4).....
228766	25106	Spool Rest with 201254C (2).....
151033	25106	Spool Rest Bracket.....
151034	25106	Spool Rest Bracket Rod.....
138R	25106	Spool Rest Bracket Rod Set Screw.....
51276R	-----	Spool Rest Bracket Screw.....
150203	25106	Spool Rest Cushion (felt) (4).....
201254C	25106	Spool Rest Set Screw (2).....
151035	25106	Thread Guide (4).....
1521R	25106	Thread Guide Nut (8).....
9525	25106	Thread Guide Nut Washer (8).....
151037	25106	Thread Unwinder complete, for four spools Nos. 51276R, 151032, 151033, 151034, two 228766, four each 150203, 151035, 228764 and eight each 1521R and 9525...

No.	Plate	Name
72C	25099	Tension (looper thread) Releaser Slide Hinge Screw for 146801.....
110C	25099	Tension (looper thread) Releaser Slide Connecting Link Hinge Screw for 146801
110C	25097	Tension (needle thread) Releasing Shaft Crank Connecting Link Hinge Screw....
138R	25106	Thread Unwinder Spool Rest Bracket Rod Set Screw for 151032.....
144D	25107	Arm Shaft (horizontal) Screw (back).....
157J	25112	Feed Dog Screw.....
157X	25072	Feed Lifting Rock Shaft Crank (front) Clamping Screw for 146889.....
157X	25072	Feed Rock Shaft Crank Clamping Screw for 146895.....
157E	25046	Oil Pump (centrifugal) Body Screw.....
158E	25072	Feed Bar Carrier Clamping Screw for 147022.....
161X	25097	Presser Bar Lifting Lever Extension Screw.....
175AL	25113	Looper Ball Crank Pitman End Bearing (left) Cap Screw for 146730.....
175AL	25113	Looper Ball Crank Pitman End Bearing (right) Cap Screw for 146918.....
175E	25114	Needle Bar Connecting Stud Clamping Screw.....
176E	25072	Feed Bar Carrier Hinge Pin Clamping Screw for 147022.....
176J	25108	Needle Guard Screw.....
176J	25050	Slack Thread Controller Clamp Screw....
176J	25050	Thread (needle) Eyelet (side of arm) Position Screw.....
189E	25046	Oil Pump (centrifugal) Screen Frame Screw.....
190J	25108	Needle Guard Holder Bracket Screw.....
190J	25108	Needle Guard Holder Screw.....
190J	25114	Presser Bar Stop Clamping Screw for 146752.....
190J	25114	Presser Foot Screw.....
190X	25047	Thread (looper) Take-up Stripper Plate Support Plate Screw.....
190J	25047	Thread (looper) Take-up Stripper Staple Screw for 146603.....
193E	25073	Oil Wick Holder Tube Bracket Screw....
197E	25072	Feed Lifting Rock Shaft Oil Wick Clamping Screw.....
197E	25072	Feed Rock Shaft Oil Wick Clamping Plate Screw for 146894.....
207E	25107	Arm Shaft (horizontal) Flanged Bushing (back) Oil Sump Tube Holder Screw....
217E	25091	Belt Guard Top Section Lock Spring Screw for 151367.....
217J	25107	Feed Eccentric Clamping Washer Screw for 146883.....

No.	Plate	Name
217J	25099	Tension (looper thread) Releaser Screw for 146801.....
217J	25050	Thread (needle) Thread Guide Bracket Support Screw (lower).....
219R	25091	Belt Guard Top Section Fill-in Plate Screw for 151363.....
223E	25072	Feed Lifting Rock Shaft Cap Screw.....
223E	25072	Feed Rock Shaft Cap Screw.....
225X	25077	Tension (needle thread) Screw Stud Hole Plug.....
228E	25072	Feed Bar Carrier Oil Wick Holder Screw..
228E	25072	Feed Lifting Rock Shaft and Feed Rock Shaft Oil Wick Holder Screw.....
228E	25037	Oil Removing Wick (head end) Holder Body Stop and Spring Clip Screw for 146747.....
229J	25050	Thread (needle) Thread Guide Screw.....
231E	-----	Looper Holder Rock Shaft Bracket Oil Plug Screw.....
237J	25047	Thread (looper) Take-up Stripper Plate Screw for 146603.....
237J	25047	Thread (looper) Take-up Thread Guide (left) Screw.....
237J	25047	Thread (looper) Take-up Thread Guide (right) Screw.....
237J	25050	Thread (needle) Thread Guide Bracket Support Screw (upper).....
239J	25112	Presser Foot Knife Screw for 146684.....
240C	25108	Bed Slide (right) Spring Stop Screw for 146007, 146526, 146835, 146846 and 146847.....
316C	25097	Tension (needle thread) Releasing Shaft Stop Screw.....
SS329E	25114	Needle Bar Connecting Stud Slide Block Guide Screw.....
335X	25074	Arm Top Cover and Stitch Regulator Cap Latch Screw for 146869.....
356C	25030	Knee Lifter Rock Shaft Knee Arm Hub Set Screw for 143284.....
356C	25030	Knee Lifter Rock Shaft Knee Arm Plate Set Screw for 2767.....
356C	25030	Knee Lifter Rock Shaft Lifting Bracket Hook Set Screw for 6337.....
356C	25030	Knee Lifter Rock Shaft Lifting Bracket Set Screw for 6337.....
402J	25047	Needle Bar Thread Retainer Bracket Screw.....
440AL	25107	Feed Lifting Eccentric Set Screw for 146884.....
447AL	25072	Feed Lifting Rock Shaft Bushing Set Screw
447AL	25072	Feed Rock Shaft Bushing Set Screw.....
448AL	25073	Bed Rotary Shaft Bushing (intermediate) Set Screw.....
448AL	25073	Looper Ball Crank Hinge Pin Set Screw...
448AL	25073	Looper Holder Rock Shaft Bushing (back) Set Screw.....

No.	Plate	Name
448AL	25073	Looper Holder Rock Shaft Bushing (front) Set Screw.....
454AL	25073	Bed Rotary Shaft Collar Set Screw for 64342.....
460AL	25072	Feed Lifting Rock Shaft Collar Set Screw for 147029.....
460AL	25072	Feed Rock Shaft Collar Set Screw for 147029.....
462AL	25072	Feed Lifting Rock Shaft Connecting Rod Hinge Pin Set Screw for 146888.....
462AL	25072	Feed Rock Shaft Connecting Rod Hinge Pin Set Screw for 146895.....
465AL	25073	Thread (looper) Take-up Set Screw for 14662L.....
624AL	25097	Tension (needle thread) Releasing Shaft Crank Set Screw for 54872.....
691F	25112	Throat Plate Screw.....
724J	25050	Thread (needle) Eyelet (side of arm) Screw.....
725X	25041	Bed Slide (left) Spring Screw for 146522..
725J	25112	Presser Foot Plate Hinge Pin Set Screw for 146683.....
802X	25097	Presser Bar Lifting Lever Hinge Screw..
807X	25097	Presser Bar Lifting Bracket Lifter Hinge Screw.....
896AL	25073	Looper Avoiding Eccentric Connection Clamping Screw for 146553.....
896AL	25073	Looper Ball Crank Connection Cap (lower) Screw for 146557.....
896AL	25113	Looper Holder Clamping Screw for 146565
906AL	25047	Thread (looper) Take-up Stripper Set Screw for 146624.....
965E	25037	Bed Leg (back) Screw.....
1029J	25073	Thread (looper) Take-up Screw.....
1036AL	25107	Needle Bar Connecting Link Hinge Stud Position Set Screw for 146865.....
1057AL	25114	Presser Bar Lifting Bracket Clamping Screw for 146694.....
1115X	25030	Knee Lifter Rock Shaft Spring Screw for 146771.....
1133E	25114	Needle Bar Bushing (lower) Set Screw...
1133E	25114	Needle Bar Bushing (upper) Set Screw...
1133E	25114	Presser Bar Bushing (lower) Set Screw..
1253AL	25113	Looper (back) Set Screw for 146565.....
1253AL	25113	Looper (front) Set Screw for 146565.....
1259AL	25107	Arm Shaft (horizontal) Bevel Gear Set Screw for 146864.....
1259AL	25107	Arm Shaft (upright) Bevel Gear (lower) Set Screw for 143015.....
1259AL	25107	Arm Shaft (upright) Bevel Gear (upper) Set Screw for 143015.....
1259AL	25073	Bed Rotary Shaft Bevel Gear Set Screw for 146517.....

No.	Plate	Name
1259AL	25073	Looper Avoiding Eccentric Set Screw for 146550.....
1364X	25037	Oil Removing Wick (head end) Hinge Plate and Cover Screw.....
1423X	25108	Bed Slide (right) Spring Screw for 146007, 146526, 146835, 146846 and 146847....
1449J	25114	Thread (needle) Take-up Plate Spring Screw for 146635.....
1470X	25108	Bed Slide (right) Latch Guide Screw for 146062, 146692, 146723, 146821 and 146828.....
1470X	25108	Bed Slide (right) Spring Screw for 146062, 146692, 146723, 146821 and 146828....
1520J	25113	Looper Ball Crank Pitman Ball Screw Stud (right) Nut for 146923 and 146924..
1521R	25106	Thread Unwinder Thread Guide Nut for 151037.....
1547J	25097	Tension (needle thread) Releasing Shaft Stop Screw Nut.....
1607X	25072	Feed Dog Stop Screw Nut for 146880.....
1628X	25098	Thread (looper) Thread Tube Screw Stud Nut.....
1664J	25113	Looper Ball Crank Pitman End Bearing (left) Nut for 146739.....
2102	25098	Tension (looper thread) Disc.....
2102	25097	Tension (needle thread) Disc.....
2273	25091	Belt Guard Top Section Lock Spring Position Pin for 151362.....
2767	25030	Knee Lifter Rock Shaft Knee Arm Plate with 356C, for 143285.....
4307	25041	Bed Slide (left) Spring for 146522.....
4879	25030	Foot Lifter Chain Connecting Link for 150452.....
4882	25030	Foot Lifter Treadle Shaft for 150452.....
6337	25030	Knee Lifter Rock Shaft Lifting Bracket with two 356C, for 146771.....
6439	-----	Foot Lifter Chain 36 in. to 45 in., with 56864 and 56865.....
		NOTE: When ordering No. 6439, state length required.
7071	25051	Face Plate Thread Lubricator Adaptor Screw Washer for 146809.....
7071	25107	Feed Eccentric Clamping Washer for 146883.....
7071	25113	Looper Ball Crank Pitman Rod Oil Shield Screw Washer.....
7071	25050	Thread (needle) Eyelet (side of arm) Position Screw Washer.....
7125	25030	Knee Lifter Rock Shaft Lifting Bracket Hook for 146771.....
8068	25051	Face Plate Thread Lubricator Oil Reservoir Rivet Washer (inside) for 146808.....

No.	Plate	Name
8908	25090	Wrench (accessories).....
9525	25106	Thread Unwinder Thread Guide Nut Washer for 151037.....
10107	25047	Needle Bar Thread Retainer Spring for 146586.....
12361	25090	Machine Hinge Connection (accessories)..
16532	25037	Arm Dowel Pin.....
17822	25051	Face Plate Thread Lubricator Oil Reservoir Rivet for 146808.....
21202	25051	Face Plate Thread Lubricator Screw Washer for 146809.....
23535	25090	Wrench (accessories).....
26276	25112	Presser Foot Plate Hinge Pin, for 131561.
29043	25113	Looper Throw-out Spring Screw Washer for 146938.....
32572	25097	Tension (needle thread) Releasing Disc...
41400	25090	Machine Rest Pin (wood) accessories.....
42483	25047	Needle Bar Thread Retainer Disc for 146586.....
42850	25090	Wrench (accessories).....
46865	25030	Knee Lifter Chain Link for 146764.....
50014F	25114	Needle Set Screw for 146681.....
50027J	25098	Thread (looper) Thread Tube Thread Guide Screw.....
50083AL	25072	Feed Lifting Rock Shaft Crank (back) Clamping Screw for 146888.....
50123E	25107	Oil Pump (centrifugal) Impeller Locking Screw.....
50163XC	25047	Needle Bar Thread Retainer Screw for 146586.....
50169J	25113	Looper Throw-out Spring Screw for 146938
50222J	25051	Face Plate Thread Lubricator Screw for 146809.....
50257X	25046	Oil Flow Window Cap Screw.....
50326C	25097	Tension (needle thread) Screw Stud for 59539.....
50328C	25107	Feed Regulating Screw for 146883.....
50554AL	25073	Bed Rotary Shaft Bushing (back) Set Screw
50554AL	25073	Bed Rotary Shaft Bushing (front) Set Screw
50579J	25072	Feed Bar Slide Block Oil Wick Holder Screw.....
51061AL	25107	Feed Eccentric Body Set Screw for 146883.
51159J	25113	Looper Throw-out Releaser Cap Screw for 146938.....
51276R	-----	Thread Unwinder Spool Rest Bracket Screw for 151037.....
51282X	25108	Attachment Slide Spring Screw for 146873..
51283AL	25074	Machine Pulley Set Screw for 146512.....
51320AL	25113	Looper Ball Crank Arm Clamping Screw for 146897.....
51369R	25074	Arm Top Cover Screw.....
51369E	25046	Oil Lead Screw.....
51460E	25113	Looper Ball Crank Pitman Rod Oil Shield Screw.....

No.	Plate	Name
51460E	25114	Thread (needle) Take-up Clamping Screw for 146634.....
51570C	25098	Tension (looper thread) Regulating Thumb Nut for 146618.....
51570C	25097	Tension (needle thread) Regulating Thumb Nut for 59539.....
51614W	25114	Pressure Regulating Thumb Screw Nut ...
51715AL	25073	Looper Ball Crank Connection Cap (upper) Screw Stud Nut for 146557.....
51769C	25113	Looper Ball Crank Pitman Rod Nut for 146937.....
54095	25114	Thread (needle) Take-up Plate for 146635
54242	25050	Slack Thread Controller Clamp.....
54865	25047	Needle Bar Thread Retainer Screw Washer for 146586.....
54872	25097	Tension (needle thread) Releasing Shaft Crank with 624AL.....
54988	25097	Tension (needle thread) Releasing Pin ...
56864	-----	Foot Lifter Chain Hook (large) for 6439 ..
56865	-----	Foot Lifter Chain Hook (small) for 6439 ..
56865	25030	Knee Lifter Chain Hook for 146764.....
59537	25098	Tension (looper thread) Spring Bushing (large).....
59537	25097	Tension (needle thread) Spring Bushing (large).....
59538	25098	Tension (looper thread) Spring Bushing (small).....
59538	25097	Tension (needle thread) Spring Bushing (small).....
59539	-----	Tension (needle thread) Screw Stud 50326C with 51570C.....
62827	25051	Face Plate Thread Lubricator Oil Wick for 146807.....
64342	25073	Bed Rotary Shaft Collar with 454AL.....
68002	25097	Tension (needle thread) Bracket.....
68003	25097	Tension (needle thread) Releasing Shaft ..
68140	25112	Presser Foot Plate Hinge Pin for 146684 ..
68164	25114	Thread (needle) Take-up Plate Spring for 146635.....
68261	25097	Tension (needle thread) Releasing Shaft Spring
120341	25090	Tweezers (curved) accessories.....
120344	25090	Oiler with 120345 (accessories)
120345	25090	Oiler Spout for 120344 (accessories)
120440	25090	Screw Driver (accessoires).....
121108	25090	Screw Driver (accessories).....
121741	25090	One Quart Can of Light Grade Stainless Oil (accessories)
124371	25051	Face Plate Thread Lubricator Oil Reservoir Rivet Washer (outside) for 146808.....
126150	-----	Looper Holder Rock Shaft Bracket Screw Washer for 146876
126249	25030	Foot Lifter Treadle for 150452

No.	Plate	Name
126250	25030	Foot Lifter Treadle Spring for 150452... ..
128551	25113	Looper Ball Crank Pitman Ball Screw Stud (right) Nut Locking Plate for 146923 and 146924.....
131349	25112	Presser Foot Knife for 146684.....
131560	25112	Presser Foot Plate for 131561.....
	NOTE:	When ordering No. 131560, state gauge required.
131561	25112	Presser Foot (hinged) complete, Nos. 26276, 131560 and 146780.....
	NOTE:	When ordering No. 131561, state gauge required.
131568	25112	Presser Foot Plate for 146684.....
131696	25098	Tension (looper thread) Thread Guide...
131696	25097	Tension (needle thread) Thread Guide...
131740	25098	Tension (looper thread) Spring
131741	25097	Tension (needle thread) Spring
131927	25073	Looper Ball Crank Connection Cap (upper) Screw Stud for 146557
131928	25073	Looper Ball Crank Connection Cap (upper) Screw Stud Nut Lock Washer for 146557
132790	25073	Looper Ball Crank Connection Ball Sleeve (two pieces) for 146558.....
139110	25114	Needle Bar Connecting Stud Oil Pad (wick)
139111	25114	Needle Bar Connecting Stud Slide Block..
139148	25047	Thread (looper) Take-up Stripper Staple for 146603.....
139158	25050	Thread (needle) Thread Guide.....
139462	25114	Presser Bar.....
140050J	25041	Face Plate Screw (upper).....
140061J	25041	Face Plate Screw (lower).....
140224J	25051	Face Plate Thread Lubricator Adaptor Screw for 146809.....
140239AL	25073	Oil Wick Position Bracket Screw for 146606.....
140239AL	25050	Slack Thread Controller Position Screw ..
140296AL	25107	Arm Shaft (horizontal) Bushing (center) Set Screw
140296AL	25107	Arm Shaft (horizontal) Flanged Bushing (back) Set Screw
140298AL	25107	Arm Shaft (upright) Bushing (lower) Set Screw.....
140298AL	25107	Arm Shaft (upright) Bushing (upper) Set Screw.....
140321C	25091	Belt Guard Top Section Hinge Pin Set Screw for 151362.....
140331AL	25107	Arm Shaft (horizontal) Flanged Bushing (front) Set Screw.....
140333AL	25107	Arm Shaft (horizontal) Bevel Gear Position Screw for 146864.....
140351AL	25030	Knee Lifter Rock Shaft Knee Arm Hub Clamping Screw for 143284.....

No.	Plate	Name
140351AL	25030	Knee Lifter Rock Shaft Stop Dog Clamping Screw for 146769 and 146770.....
140359E	25107	Arm Shaft (horizontal) Screw Plug (front)
140359E	25072	Feed Lifting Rock Shaft Oil Plug Screw ..
140359E	25072	Feed Rock Shaft Oil Plug Screw for 146894
140439E	25073	Looper Holder Rock Shaft Oil Plug Screw for 146569
140440J	25114	Needle Bar Bushing (upper) Oil Plug Screw
140441W	25114	Pressure Regulating Thumb Screw
140442C	25098	Tension (looper thread) Screw Stud for 146618
140443J	25097	Tension (needle thread) Bracket Screw ..
140443J	25050	Thread (needle) Thread Guide Bracket Screw
140542AL	25107	Needle Bar Crank Position Screw for 146865
140546C	25047	Needle Bar Thread Retainer Screw for 146586
140552AL	25107	Needle Bar Connecting Link Hinge Stud Clamping Screw for 146865.....
140553E	25037	Oil Removing Wick (head end) Holder Body Hinge Screw for 146747
140695X	25072	Feed Dog Stop Screw for 146880.....
140734E	25037	Looper Holder Rock Shaft Bracket Screw for 146876
143008	25107	Arm Shaft (horizontal) Bushing (center) ..
143015	25107	Arm Shaft (upright) Bevel Gear (lower) left hand spiral with two 1259AL
143015	25107	Arm Shaft (upright) Bevel Gear (upper) left hand spiral with two 1259AL, for 146878
143024	25107	Bed Hole Plug.....
143031	25072	Feed Bar Carrier Oil Wick for 147024....
143032	25072	Feed Bar Carrier Oil Wick Holder for 147024
143039	25072	Feed Lifting Rock Shaft Cap
143048	25072	Feed Rock Shaft Cap
143052	25072	Feed Lifting Rock Shaft and Feed Rock Shaft Oil Wick Holder
143061	25046	Oil Flow Body Gasket.....
143062	25046	Oil Flow Window
143063	25046	Oil Flow Window Cap
143065	25046	Oil Pipe Clamping Sleeve for 146597.....
143066	25046	Oil Pipe Clamping Sleeve Nut for 146597 ..
143071	25046	Oil Pump (centrifugal) Body Position Pin
143073	25046	Oil Pump (centrifugal) Impeller.....
143124	25010	Oil Pipe Clamping Sleeve for 146594, 146595 and 146596
143125	25010	Oil Pipe Clamping Sleeve Nut for 146594, 146595 and 146596
143126	-----	Looper Holder Rock Shaft Bracket Oil Pipe Clamping Sleeve Adaptor
143126	25046	Oil Pipe Clamping Sleeve Adaptor for 146660

No.	Plate	Name
143126	-----	Oil Pipe Clamping Sleeve Adaptor (fastened to Bed.....)
143236	25107	Arm Shaft (horizontal) Screw Plug (front) Washer (fiber).....
143236	25072	Feed Lifting Rock Shaft Oil Plug Screw Washer (fiber)
143236	25072	Feed Rock Shaft Oil Plug Screw Washer (fiber) for 146894
143283	25030	Knee Lifter Rock Shaft Knee Arm for 143285.....
143284	25030	Knee Lifter Rock Shaft Knee Arm Hub with 356C and 140351AL, for 143285 ...
143285	-----	Knee Lifter Rock Shaft Knee Arm complete, for 146771, Nos. 2767, 143283 and 143284
143308	25090	Machine Cushion (felt) accessories
143370	25047	Oil Lead
146006	25108	Bed Slide (right, button type) for 146007..
146007	25108	Bed Slide, (right, button type) complete for Throat Plates with no off-set, Nos. 1423X, 146006, 146524, 146525 and two 240C.....
146057	25090	Wrench (socket) for 140552AL (accessories).....
146061	25108	Bed Slide (right, latch type) for 146062... ..
146062	25108	Bed Slide (right, latch type complete, for Throat Plates with no off-set, Nos. 146061, 146688, 146689, 146690, 146691 and four 1470X.....
146505	25107	Arm Shaft (upright) Bushing (lower)
146508	25074	Arm Top Cover Gasket
146512	25074	Machine Pulley (disc power) "V" belt groove (outside diameter of belt groove 2.9 in.) with two 51283AL
146514	25037	Bed Leg (back)
146516	25073	Bed Rotary Shaft for 146650.....
146517	25073	Bed Rotary Shaft Bevel Gear, right hand spiral with two 1259AL
146518	25073	Bed Rotary Shaft Bushing (back).....
146519	25073	Bed Rotary Shaft Bushing (front).....
146520	25073	Bed Rotary Shaft Bushing (intermediate)..
146521	25041	Bed Slide (left) for 146522
146522	25041	Bed Slide (left) complete, Nos. 4307, 146521 and two 725X.....
146523	-----	Bed Slide (right, button type) for 146526 ..
146524	25108	Bed Slide (right) Spring for 146007, 146526, 146835, 146846 and 146847
146525	-----	Bed Slide (right) Knob for 146007, 146526, 146835, 146846 and 146847.....
146526	-----	Bed Slide (right, button type) complete for Throat Plates with 3/64 in. off-set, Nos. 1423X, 146523, 146524, 146525 and two 240C.....

No.	Plate	Name
146528	25041	Face Plate.....
	NOTE:	When ordering No. 146528, state color required.
146529	25041	Face Plate Gasket.....
146537	25107	Feed Lifting Rock Shaft Connecting Rod for 146878.....
146539	25072	Feed Bar Slide Block Oil Wick Holder for 146882.....
146545	25107	Feed Rock Shaft Connecting Rod for 146878.....
146550	25073	Looper Avoiding Eccentric with two 1259AL.....
146551	25037	Arm Screw Stud (back).....
146552	25037	Arm Screw (front).....
146553	25073	Looper Avoiding Eccentric Connection (forked) with two 896AL.....
146554	25073	Looper Avoiding Eccentric Slide Block....
146556	25073	Looper Ball Crank for 146558.....
146557	25073	Looper Ball Crank Connection Nos. two each 896AL, 51715AL, 131927 and 131928, for 146558.....
146558	-----	Looper Ball Crank Connection 146557 with 132790, 146556 and 164232 for 146650.....
146559	25073	Looper Ball Crank Hinge Pin.....
146565	25113	Looper Holder with 896AL and two 1253AL, for 146739.....
146567	25113	Looper Holder Bushing (eccentric) with 146647, for 146739.....
146568	25073	Looper Holder Hinge Pin.....
146569	25073	Looper Holder Rock Shaft with 140439E....
*146570	-----	Looper Holder Rock Shaft Bracket for 146876.....
	NOTE:	Due to the accuracy required for Looper Rock Shaft alignment, Looper Holder Rock Shaft Bracket cannot be supplied separately and can only be sent out as a Unit, Arm, Bed and Looper Holder Rock Shaft Bracket assembled.
146571	25073	Looper Holder Rock Shaft Bushing (back) .
146572	25073	Looper Holder Rock Shaft Bushing (front) .
146573	25114	Needle Bar (hollow) for 146680.....
146576	25114	Needle Bar Bushing (upper).....
146580	25114	Needle Bar Bushing (lower and upper) Oil Wick Clip for 146805.....
146581	-----	Needle Bar Connecting Link 146959 with 146582, for 146866.....
146582	25107	Needle Bar Connecting Link Hinge Stud for 146581.....
146585	25047	Needle Bar Thread Retainer Bracket for 146586.....
146586	25047	Needle Bar Thread Retainer Bracket complete, Nos. 10107, 140546C, 146585, 146665, 146666 and two each 42483, 50163XC and 54865.....

No.	Plate	Name
146591	25046	Oil Flow Body.....
146593	25046	Oil Pipe, for 146597.....
146594	25010	Oil Pipe with two each 143124 and 143125, for oiling Bed Rotary Shaft Intermediate Bearing.....
146595	25010	Oil Pipe with two each 143124 and 143125, for oiling Looper Rock Shaft Hinge Pin..
146596	25010	Oil Pipe with two each 143124 and 143125, for oiling Thread (under) Take-up Shaft Front Bearing.....
146597	25046	Oil Pipe complete from Oil Pump to Arm Shaft (horizontal) Center Bearing Nos. 146593 with 143065 and 143066 (for Agents only).....
146600	25046	Oil Pump (centrifugal) Cover.....
146603	-----	Thread (Looper) Take-up Stripper Plate 146625 with 237J, 139148, 146623, 146624, 146626, 146628 and two 190J....
146604	25073	Oil Wick, for oiling Looper Ball Crank Pitman End Bearing (left).....
146605	25073	Oil Wick Holder.....
146606	25073	Oil Wick Position Bracket with 140239AL..
146609	25097	Presser Bar Lifting Lever Extension....
146610	25097	Presser Bar Lifting Lever Spring.....
146611	25114	Presser Bar Spring.....
146612	25114	Presser Bar Spring Guide Pin.....
146617	25050	Slack Thread Controller.....
146618	-----	Tension (Looper thread) Screw Stud 140442C with 51570C.....
146619	25098	Tension (Looper thread) Thread Guard....
146620	25099	Tension (Looper thread) Releaser Slide Connecting Link for 146801.....
146620	25097	Tension (needle thread) Releasing Shaft Crank Connecting Link.....
146621	25073	Thread (Looper) Take-up with 465AL.....
146622	25073	Thread (Looper) Take-up Screw Washer (fiber).....
146623	25047	Thread (Looper) Take-up Stripper for 146603.....
146624	25047	Thread (Looper) Take-up Stripper Holder with 906AL, for 146603.....
146625	25047	Thread (Looper) Take-up Stripper Plate for 146603.....
146626	25047	Thread (Looper) Take-up Stripper Plate Support Plate for 146603.....
	NOTE:	One No, 146626 is screwed onto Machine Bed.
146627	25047	Thread (Looper) Take-up Thread Guide (left).....
146628	25047	Thread (Looper) Take-up Thread Guide (right) for 146603.....
146629	25050	Thread (needle) Thread Guide Bracket....
146630	25050	Thread (needle) Thread Guide Bracket Support.....
	NOTE:	When ordering 146630, state color required.

No.	Plate	Name
146631	25098	Thread (upper) Thread Tube.....
146632	25098	Thread (looper) Thread Tube Thread Guide.....
146633	25050	Thread (needle) Eyelet (side of arm)....
146634	25114	Thread (needle) Take-up with 51460E, for 146635
146635	25114	Thread (needle) Take-up complete, Nos. 1449J, 54095, 68164 and 146634.....
146637	25015	Machine Base and Oil Reservoir for 146638 (accessories)
146638	25015	Machine Base and Oil Reservoir 146637 with 146639, 146693, 146695 and two 146640 (for Agents only) accessories..
146639	25015	Machine Base and Oil Reservoir Gasket (left) for 146638 (accessories).....
146640	25015	Machine Pad (felt) for 146638 (accessories).....
146647	25113	Looper Holder Bushing Pin for 146567...
146650	-----	Bed Rotary Shaft 146516 with 146558.....
146657	25046	Oil Pump (centrifugal) Screen
146658	25046	Oil Pump (centrifugal) Screen Frame....
146659	25046	Oil Pump (centrifugal) Body for 146660..
146660	-----	Oil Pump (centrifugal) Body 146659 with three 143126.....
146661	25107	Arm Shaft (upright).....
146665	25047	Needle Bar Thread Retainer (lower) for 146586
146666	25047	Needle Bar Thread Retainer (upper) for 146586
146671	25098	Thread (looper) Thread Tube Screw Stud Nut Washer
146672	25107	Arm Shaft (horizontal) Flanged Bushing (front).....
146676	25097	Presser Bar Lifting Bracket Lifter.....
146677	25112	Feed Dog, 14 teeth (10 teeth to the inch)..
146678	25113	Looper (back) closed eye.....
146679	25113	Looper (front) closed eye
146680	-----	Needle Bar complete, Nos. 146573 and 146681.....
146681	25114	Needle Clamp with two 50014F, for 146680
146682	25108	Needle Guard
146683	25112	Presser Foot Shank with 725J, for 146684
146684	25112	Presser Foot (hinged) with Knife complete, Nos. 239J, 68140, 131349, 131568 and 146683.....
146685	25112	Throat Plate.....
146687	-----	Bed Slide (right, latch type) for 146692..
146688	25108	Bed Slide (right) Latch for 146062, 146692, 146723, 146821 and 146828....
146689	25108	Bed Slide (right) Latch Guide for 146062, 146692, 146723, 146821 and 146828....

No.	Plate	Name
146690	25108	Bed Slide (right) Latch Spring for 146062, 146692, 146723, 146821 and 146828.....
146691	25108	Bed Slide (right) Spring for 146062, 146692, 146723, 146821 and 146828.....
146692	-----	Bed Slide (right, latch type) complete for Throat Plates with 3/64 in., off-set, Nos. 146687, 146688, 146689, 146690, 146691 and four 1470X
146693	25015	Machine Base and Oil Reservoir Oil Return Wick for 146638 (accessories).....
146694	25114	Presser Bar Lifting Bracket with 1057AL.
146695	25015	Machine Base and Oil Reservoir Oil Return Wick Position Pad (felt) for 146638 (accessories).....
146696	25037	Oil Removing Wick (head end) Hinge Plate and Cover for 146747
146697	25037	Oil Removing Wick (head end) Hinge Plate and Cover Gasket for 146747
146698	25037	Oil Removing Wick (head end) Holder Body Spring for 146746 and 146747
146700	25037	Oil Removing Wick (head end) Holder Body Stop and Spring Clip for 146747 ...
146703	25114	Needle Bar Bushing (lower and upper) Oil Wick Clamp and Retainer for 146805....
146722	-----	Bed Slide (right, latch type) for 146723...
146723	-----	Bed Slide (right, latch type) complete for Throat Plates with 9/64 in. off-set, Nos. 146688, 146689, 146690, 146691, 146722 and four 1470X
146730	25113	Looper Ball Crank Pitman End Bearing (left) Body with two 175AL, for 146739 ..
146732	25113	Looper Throw-out Releaser for 146938 ...
146733	25113	Looper Throw-out Releaser Cap for 146938
146739	25113	Looper Holder 146565 with 1664J, 146567 and 146730.....
146742	25108	Needle Guard Holder.....
146743	25108	Needle Guard Holder Bracket.....
146744	25037	Oil Removing Wick (head end) for 146746 and 146747.....
146745	25037	Oil Removing Wick (head end) Holder Body for 146746 and 146747.....
146746	-----	Oil Removing Wick (head end) Holder Body 146745 with 146698 and 146744 (for Agents only).....
146747	25037	Oil Removing Wick (head end) Holder Body complete, Nos. 228E, 140553E, 146696, 146697, 146698, 146700, 146744 and 146745.....
146751	25114	Presser Bar Bushing (lower).....
146752	25114	Presser Bar Stop with 190J.....
146754	25113	Looper Throw-out Sleeve for 146938.....

No.	Plate	Name
146764	25030	Knee Lifter Chain, length 10-1/4 in., with 46865 and 56865, for 146779.....
146765	25030	Knee Lifter Rock Shaft for 146771.....
146766	25030	Knee Lifter Rock Shaft Hanger with two wood screws 1 in. No. 10 F.H., for 146771.....
146768	25030	Knee Lifter Rock Shaft Spring for 146771.
146769	25030	Knee Lifter Rock Shaft Stop Dog (back) with 140351AL, for 146771.....
146770	25030	Knee Lifter Rock Shaft Stop Dog (front) with 140351AL, for 146771.....
146771	25030	Knee Lifter Rock Shaft complete, for 146779, Nos. 1115AL, 6337, 7125, 143285, 146765, 146768, 146769, 146770 and two 146766.....
146779	25030	Knee Lifter complete, Nos. 146764 and 146771.....
146780	25112	Presser Foot Shank for 131561.....
146790	25107	Arm Shaft (horizontal) Flanged Bushing (back) Oil Sump Tube with Holder.....
146791	25097	Presser Bar Lifting Lever.....
146792	25099	Tension (looper thread) Releaser for 146801.....
146794	25099	Tension (looper thread) Releaser Slide for 146801.....
146795	25099	Thread (looper) Uncurler for 146801.....
146796	25099	Thread (looper) Uncurler Plate (back) for 146801.....
146797	25099	Thread (looper) Uncurler Plate (front) for 146801.....
146801	25099	Tension (looper thread) Releaser Nos. 110C, 146620, 146794, 146796, 146797 and two each 72C, 217J, 146792 and 146795.....
146804	25114	Needle Bar Bushing (lower and upper) Oil Wick for 146805.....
146805	25114	Needle Bar Bushing (lower and upper) Oil Wick complete, Nos. 146703, 146804 and two 146580.....
146806	25051	Face Plate Thread Lubricator Oil Pad Holder for 146807.....
146807	-----	Face Plate Thread Lubricator Oil Pad Holder 146806 with 62827, 240439 and 241755, for 146808.....
146808	-----	Face Plate Thread Lubricator complete, for 146809, Nos. 8068, 17822, 124371 and 146807.....
146809	-----	Face Plate Thread Lubricator 146808 with 7071, 21202, 50222J, 140224J and 146810.....
146810	25051	Face Plate Thread Lubricator Adaptor for 146809.....
146820	-----	Bed Slide (right, latch type) for 146821..

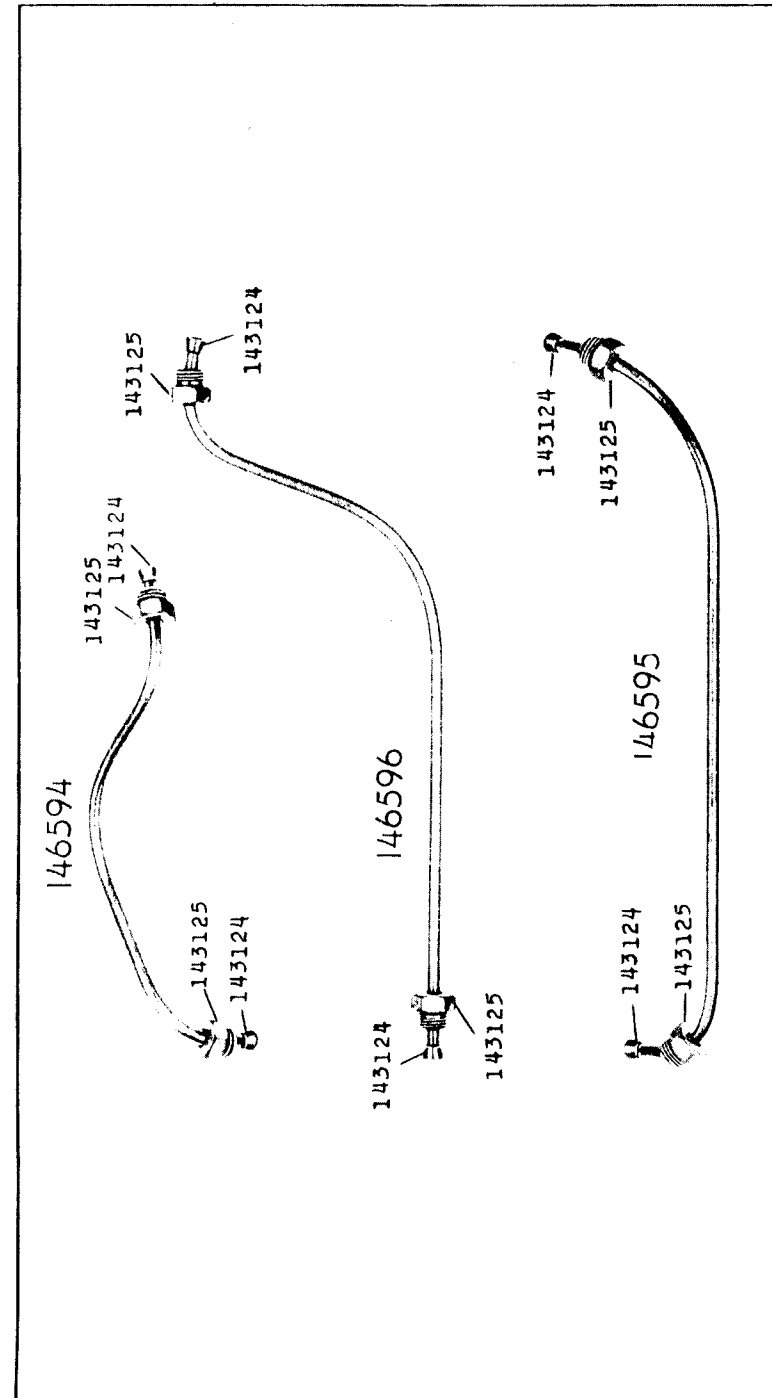
No.	Plate	Name
146821	-----	Bed Slide (right, latch type) complete for Throat Plates with 3/16 in. off-set, Nos. 146688, 146689, 146690, 146691, 146820 and four 1470X.....
146827	-----	Bed Slide (right, latch type) for 146828 ..
146828	-----	Bed Slide (right, latch type) complete for Throat Plates with 3/32 in. off-set, Nos. 146688, 146689, 146690, 146691, 146827 and four 1470X.....
146834	-----	Bed Slide (right, button type) for 146835 ..
146835	-----	Bed Slide (right, button type) complete for Throat Plates with 3/32 in. off-set, Nos. 1423X, 146524, 146525, 146834 and two 240C.....
146846	-----	Bed Slide (right, button type) complete for Throat Plates with 9/64 in. off-set, Nos. 1423X, 146524, 146525, 146848 and two 240C.....
146847	-----	Bed Slide (right, button type) complete for Throat Plates with 3/16 in. off-set, Nos. 1423X, 146524, 146525, 146849 and two 240C.....
146848	-----	Bed Slide (right, button type) for 146846 ..
146849	-----	Bed Slide (right, button type) for 146847 ..
*146863	-----	Arm.....
		NOTE: When ordering No. 146863, state color required.
146864	25107	Arm Shaft (horizontal) Bevel Gear, right hand spiral with 140333AL and two 1259AL, for 146878.....
146865	25107	Arm Shaft (horizontal) with 1036AL, 140542AL and 140552AL, for 146866...
146866	-----	Arm Shaft (horizontal) 146865 with 146581
146867	25074	Arm Top Cover.....
		NOTE: When ordering No. 146867, state color required.
146868	25074	Arm Top Cover and Stitch Regulator Cap, for 146869.....
		NOTE: When ordering No. 146868, state color required.
146869	25074	Arm Top Cover with Stitch Regulator Cap complete, Nos. 335X, 146868, 146870 and 146871.....
146870	25074	Arm Top Cover and Stitch Regulator Cap Gasket (cork) for 146869.....
146871	25074	Arm Top Cover and Stitch Regulator Cap Latch for 146869.....
146872	25108	Attachment Slide for 146873.....
146873	25108	Attachment Slide complete, Nos. 51282X, 146872 and 146874.....
146874	25108	Attachment Slide Spring for 146873.....

No.	Plate	Name
*146876	-----	Bed with 146570 and two each 126150 and 140734E.....
		NOTE: Due to the accuracy required for gear alignment, Bed cannot be supplied separately and can only be sent out as a unit, Arm and Bed assembled.
146877	25037	Bed Leg (front, long).....
146878	-----	Combination of Feed and Stitch Regulator Parts, Nos. 143015, 146537, 146545, 146864, 146883 and 146884.....
146879	25072	Feed Bar for 146880.....
146880	-----	Feed Bar 146879 with 1607X and 140695X, for 146949.....
146881	25072	Feed Bar Slide Block Oil Wick for 146882.
146882	-----	Feed Bar Slide Block Oil Wick Holder 146539 with 146881.....
146883	25107	Feed Eccentric (adjustable) complete, for 146878, Nos. 50328C, two each 217J, 7071 and three 51061AL.....
146884	25107	Feed Lifting Eccentric with three 440AL, for 146878.....
146885	25072	Feed Lifting Rock Shaft.....
146887	25107	Feed Lifting Rock Shaft Connecting Rod Hinge Pin.....
146887	25107	Feed Rock Shaft Connecting Rod Hinge Pin
146888	25072	Feed Lifting Rock Shaft Crank (back) with 462AL and two 50083AL.....
146889	25072	Feed Lifting Rock Shaft Crank (front) with 157X, for 146935.....
146891	25072	Feed Lifting Rock Shaft Oil Wick.....
146891	25072	Feed Rock Shaft Oil Wick for 146894.....
146892	25072	Feed Lifting Rock Shaft Oil Wick (long)....
146893	-----	Feed Rock Shaft for 146894.....
146894	-----	Feed Rock Shaft Nos. 197E, 140359E, 143236, 146891, 146893, 146896, 147047 and two 147045.....
146895	25072	Feed Rock Shaft Crank with 462AL and two 157X.....
146896	25072	Feed Rock Shaft Oil Wick (long) for 146894.....
146897	25113	Looper Ball Crank Arm with 51320AL, for 146923.....
146904	25113	Looper Throw-out Spring for 146938.....
146907	25114	Needle Bar Bushing (lower).....
146908	25114	Needle Bar Connecting Stud Slide Block Guide.....
146918	25113	Looper Ball Crank Pitman End Bearing (right) Body with two 175AL, for 146919
146919	-----	Looper Ball Crank Pitman End Bearing (right) 146918 with 146948, for 146923 and 146924.....
146923	25113	Looper Ball Crank Arm 146897 with 1520J, 128551 and 146919.....

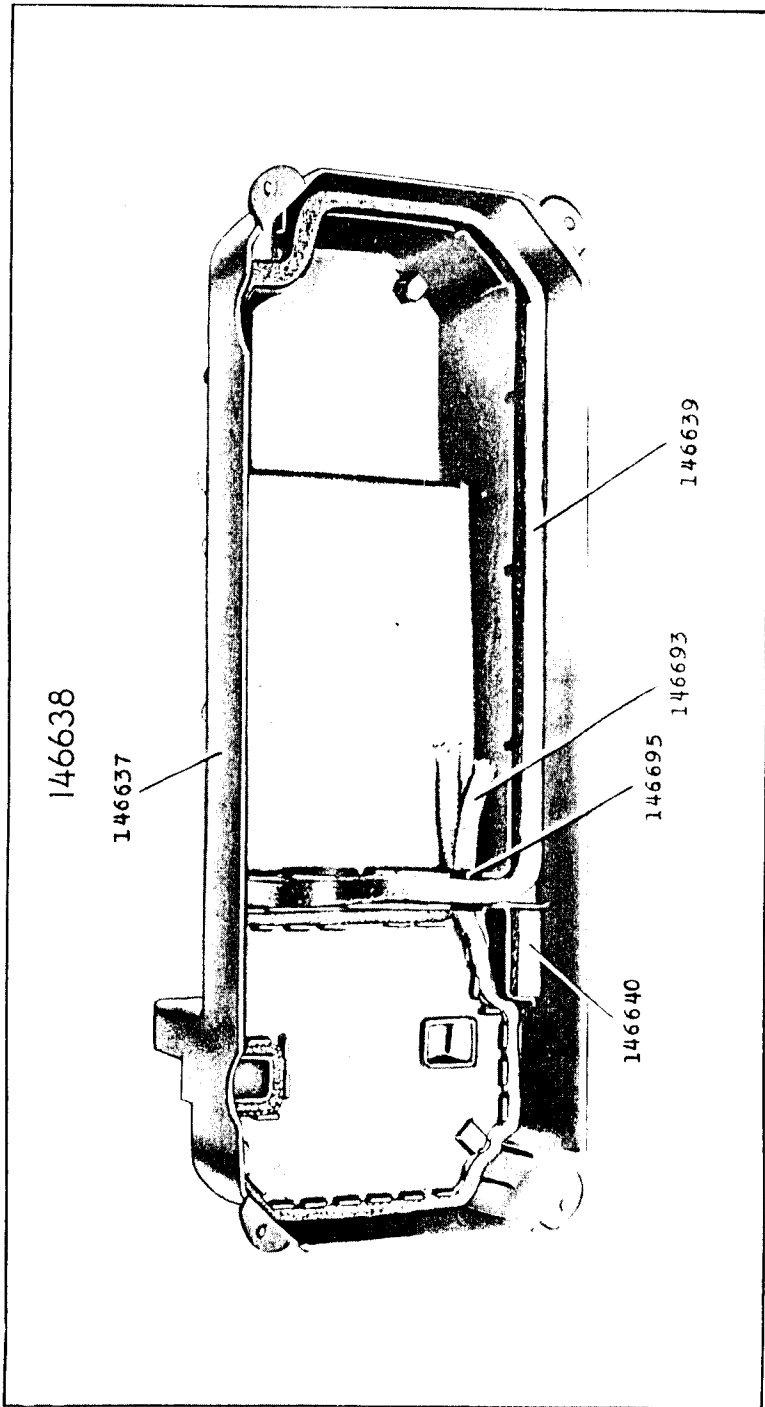
No.	Plate	Name
146924	-----	Looper Throw-out Device and Pitman Rod complete, Nos. 1520J, 128551, 146919 and 146938 (for Agents only).....
146933	25072	Feed Lifting Rock Shaft Bushing (front)...
146934	25072	Feed Bar Slide Block for 146935.....
146935	-----	Feed Lifting Rock Shaft Crank (front) 146889 with 146934, for 146949.....
146936	25113	Looper Ball Crank Pitman Rod for 146937
146937	25113	Looper Ball Crank Pitman Rod 146936 with 51769C, for 146938.....
146938	25113	Looper Ball Crank Pitman Rod with Throw-out Device complete, for 146924, Nos. 29043, 50169J, 146732, 146733, 146754, 146904, 146937 and two 51159J.
146945	25072	Feed Lifting Rock Shaft Hole Plug.....
146947	25113	Looper Ball Crank Pitman Rod Oil Shield.
146948	25113	Looper Ball Crank Pitman Ball Screw Stud (right) for 146919.....
146949	-----	Feed Bar 146880 with 146935.....
146959	25114	Needle Bar Connecting Link for 146581...
147022	25072	Feed Bar Carrier with two each 158E and 176E.....
147023	25072	Feed Bar Carrier Hinge Pin.....
147024	-----	Feed Bar Carrier Oil Wick Holder 143032 with 143031.....
147029	25072	Feed Lifting Rock Shaft Collar with two 460AL.....
147029	25072	Feed Rock Shaft Collar with two 460AL...
147037	25072	Feed Lifting Rock Shaft Oil Wick (short)...
147042	25072	Feed Lifting Rock Shaft Bushing (back)...
147042	25072	Feed Rock Shaft Bushing (back).....
147043	25072	Feed Rock Shaft Bushing (front).....
147045	25072	Feed Rock Shaft Oil Wick (short) for 146894.....
147047	25072	Feed Lifting Rock Shaft Oil Wick Clamping Plate.....
147047	25072	Feed Rock Shaft Oil Wick Clamping Plate for 146894.....
147111	25107	Arm Shaft (upright) Bushing (upper).....
147112	25107	Arm Shaft (horizontal) Flanged Bushing (back).....
150203	25106	Thread Unwinder Spool Rest Cushion (felt) for 151037.....
150451	25030	Foot Lifter Treadle Stand for 150452.....
150452	25030	Foot Lifter Treadle complete, Nos. 4879, 4882, 126249, 126250, 150451 and two wood screws 1 in. No. 16 F.H.....
151032	25106	Thread Unwinder Base with 138R (and three wood screws 1 in. No. 12 F.H., for 151037.....
151033	25106	Thread Unwinder Spool Rest Bracket for 151037.....
151034	25106	Thread Unwinder Spool Rest Bracket Rod for 151037.....

No.	Plate	Name
151035	25106	Thread Unwinder Thread Guide for 151037
151037	25106	Thread Unwinder complete, for four spools, Nos. 51276R, 151032, 151033, 151034, two 228766, four each 150203, 151035, 228764 and eight each 1521R and 9525.....
151281	25090	Wrench (socket) accessories
151362	25091	Belt Guard Bottom Section with 2273 and 140321C, for 151367.....
151363	25091	Belt Guard Top Section with 151366 and two 219R, for 151367
151364	25091	Belt Guard Top Section Hinge Pin for 151367.....
151365	25091	Belt Guard Top Section Lock Spring for 151367.....
151366	25091	Belt Guard Top Section Fill-in Plate for 151363.....
151367	25091	Belt Guard (hinged) complete, Nos. 217E, 151362, 151363, 151364, 151365 and two wood screws 1-1/4 in. No. 12. F. H. B.
		NOTE: No. 151367 is furnished only when ordered.
164232	25073	Looper Ball Crank Connection Ball Sleeve Guide for 146558
201254C	25106	Thread Unwinder Spool Rest Set Screw for 228766
228764	25106	Thread Unwinder Spool Pin for 151037....
228766	25106	Thread Unwinder Spool Rest with 201254C, for 151037.....
240439	25051	Face Plate Thread Lubricator Oil Pad Retainer for 146807
241755	25051	Face Plate Thread Lubricator Oil Pad (felt) for 146807.....

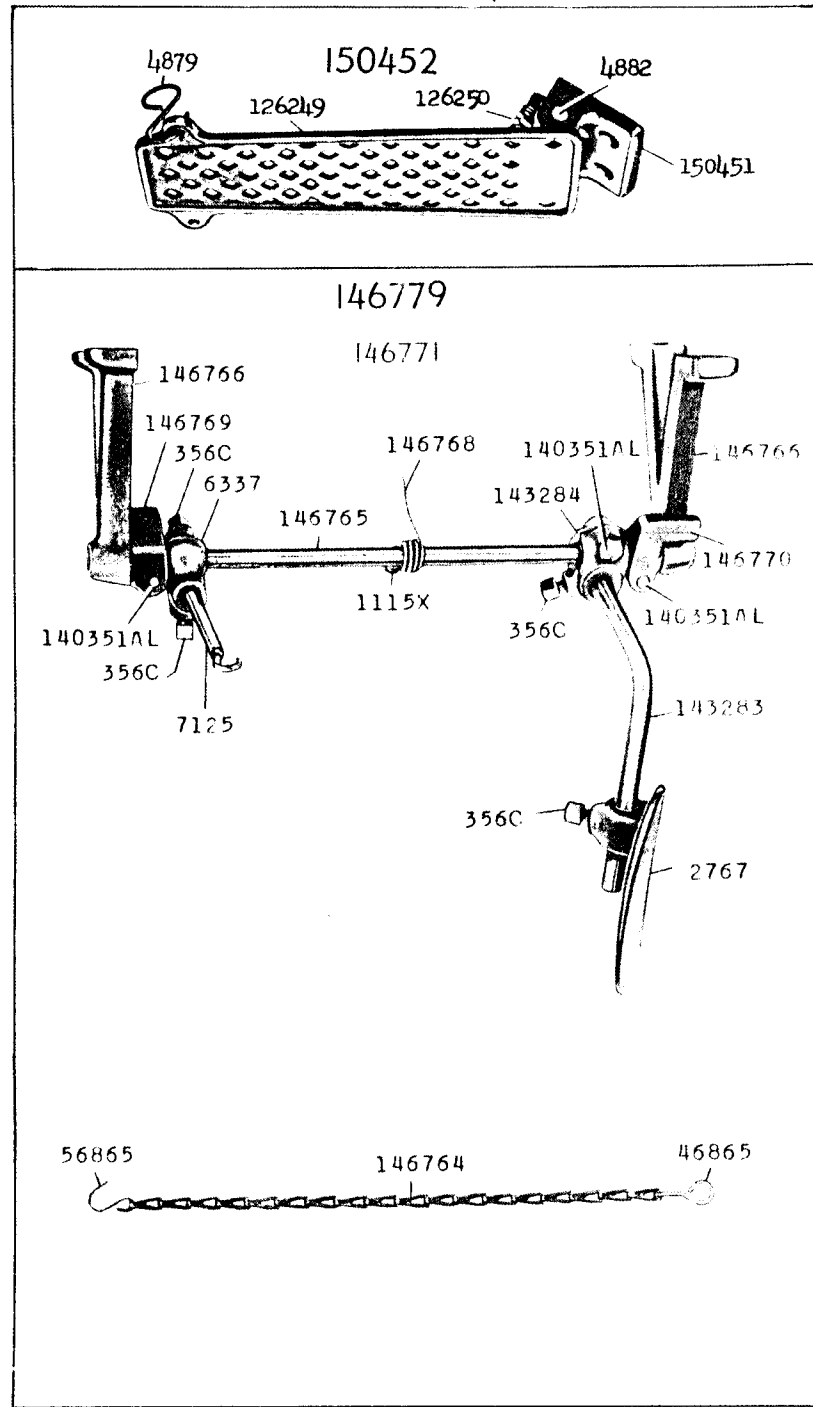
25010 - 1/2



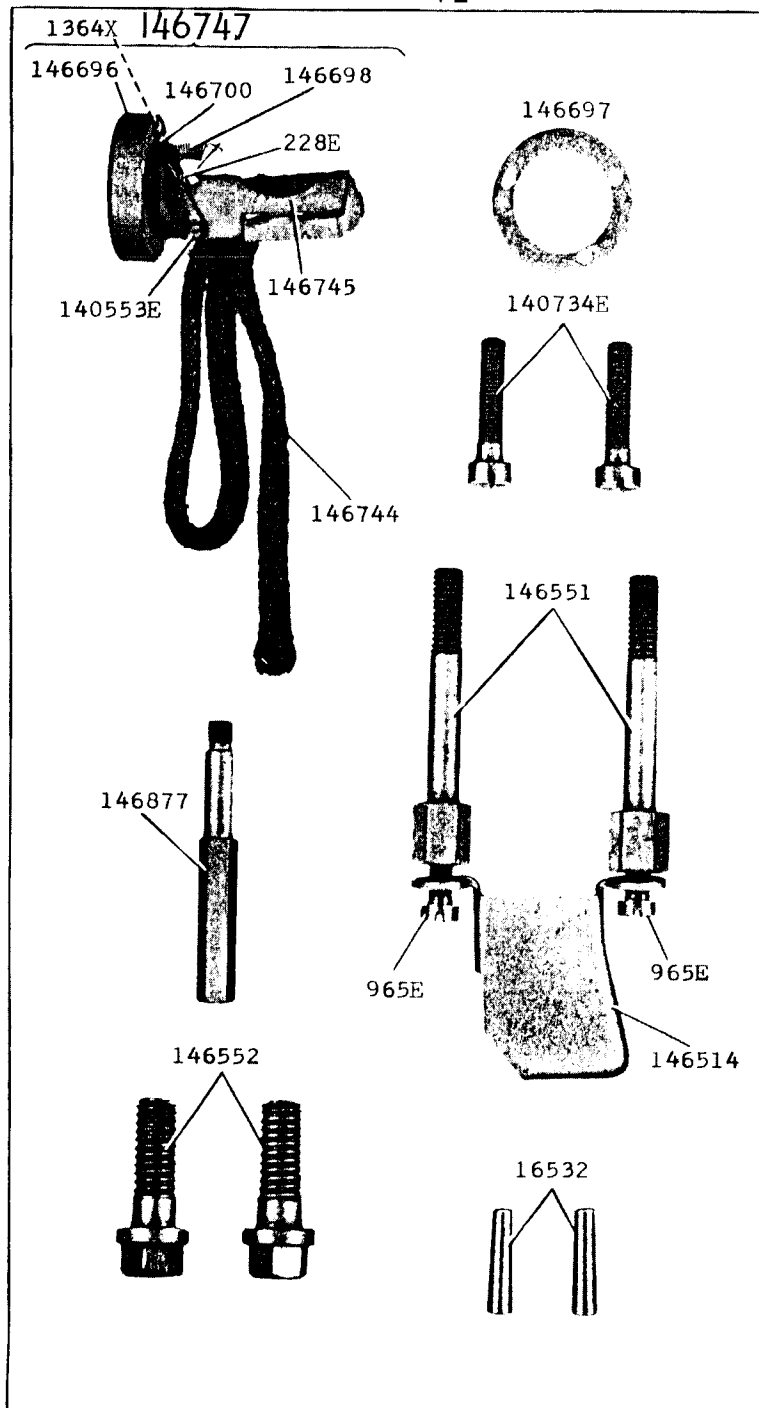
25015 - 1/3



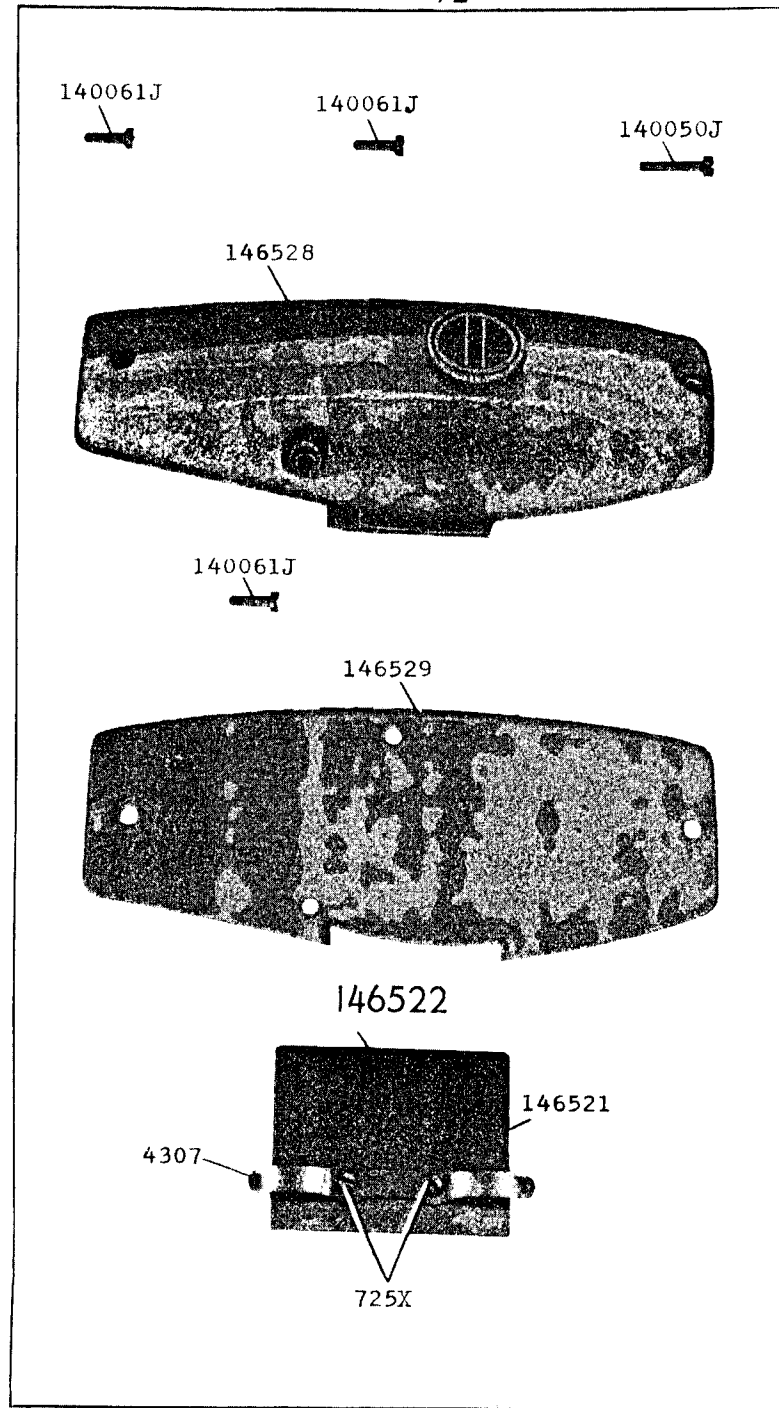
25030 - 1/4



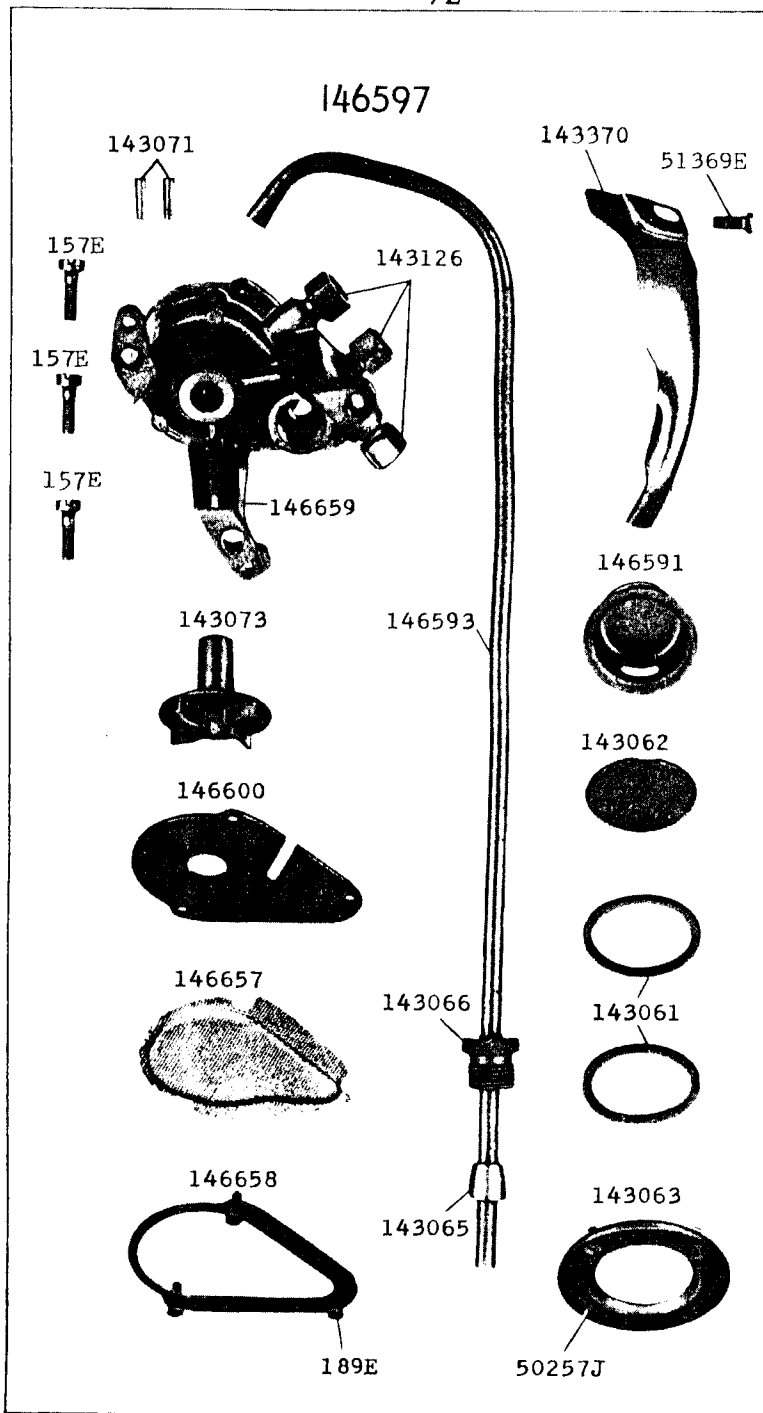
25037-1/2



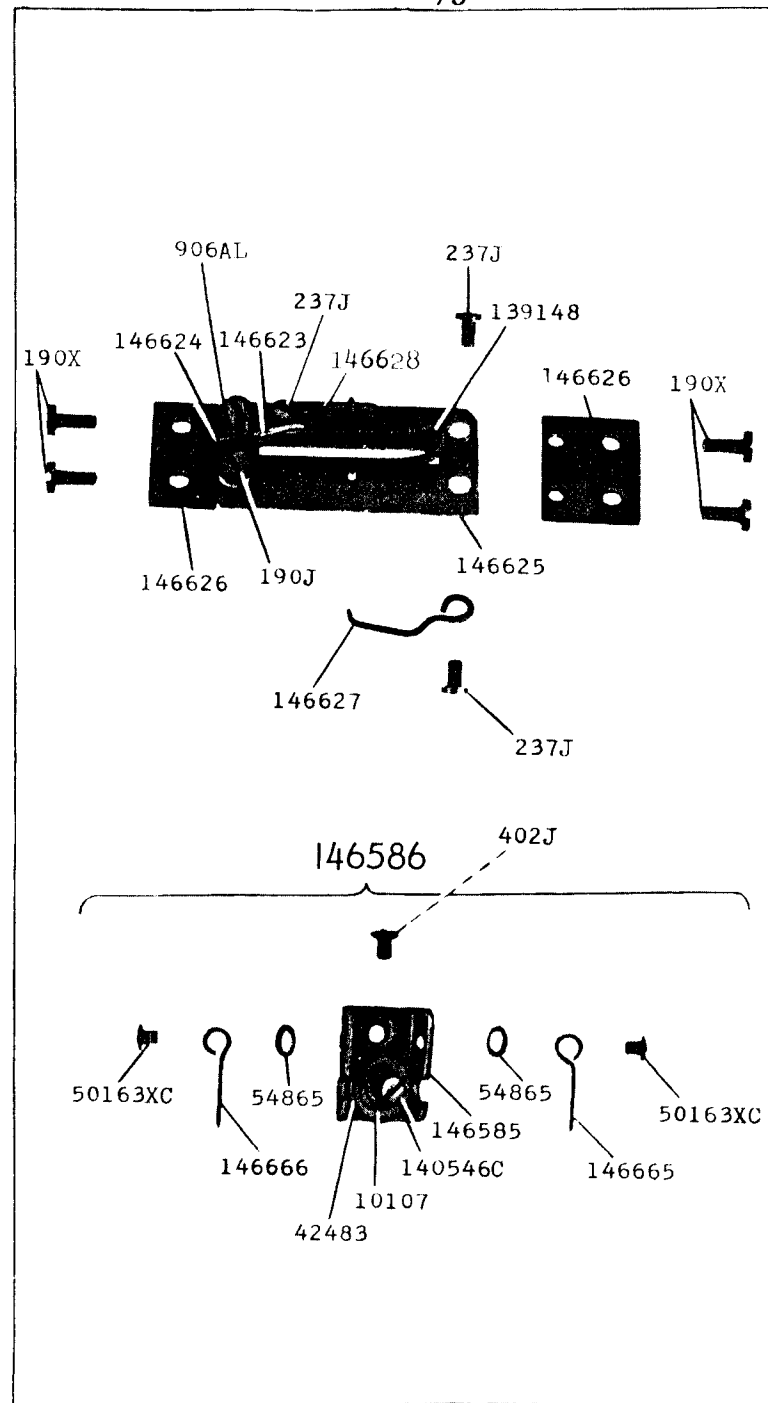
25041-1/2



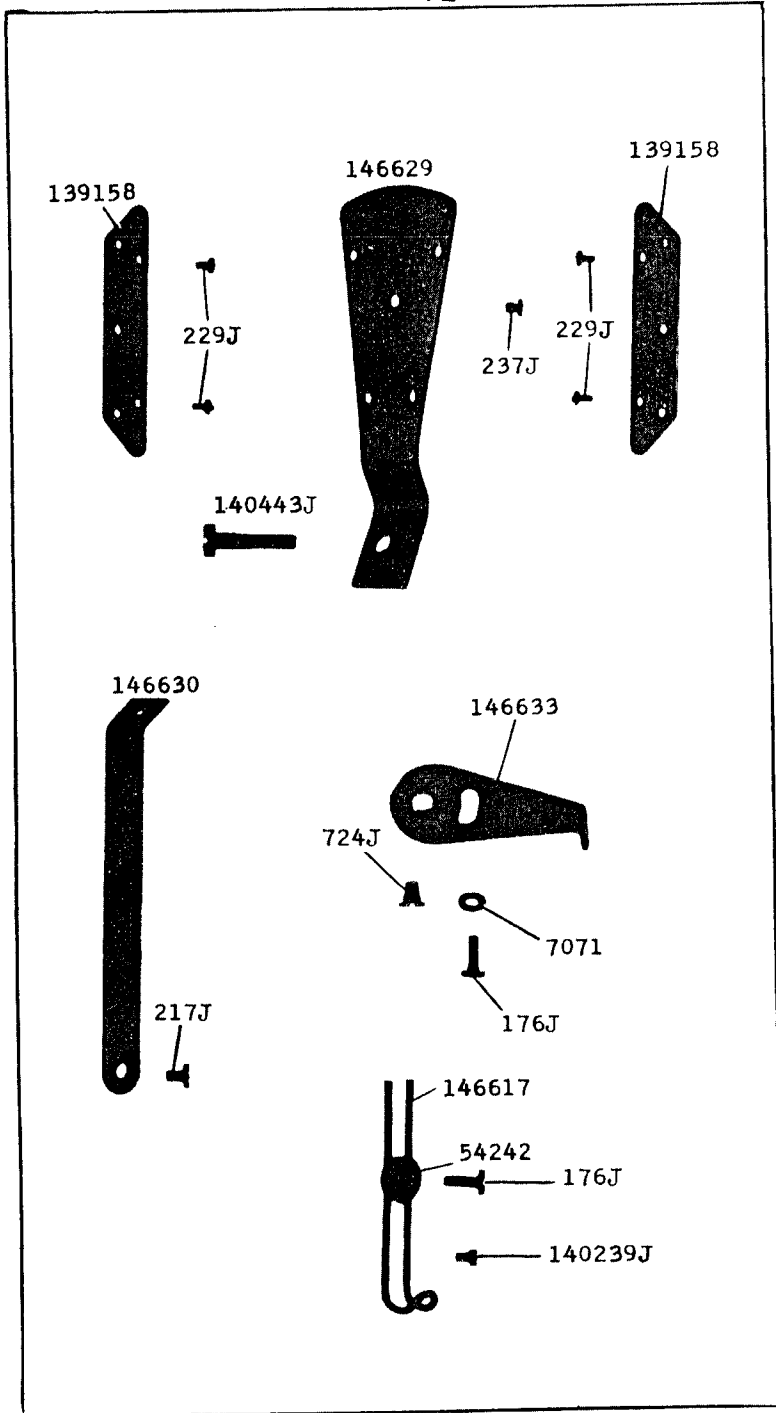
25046-1/2



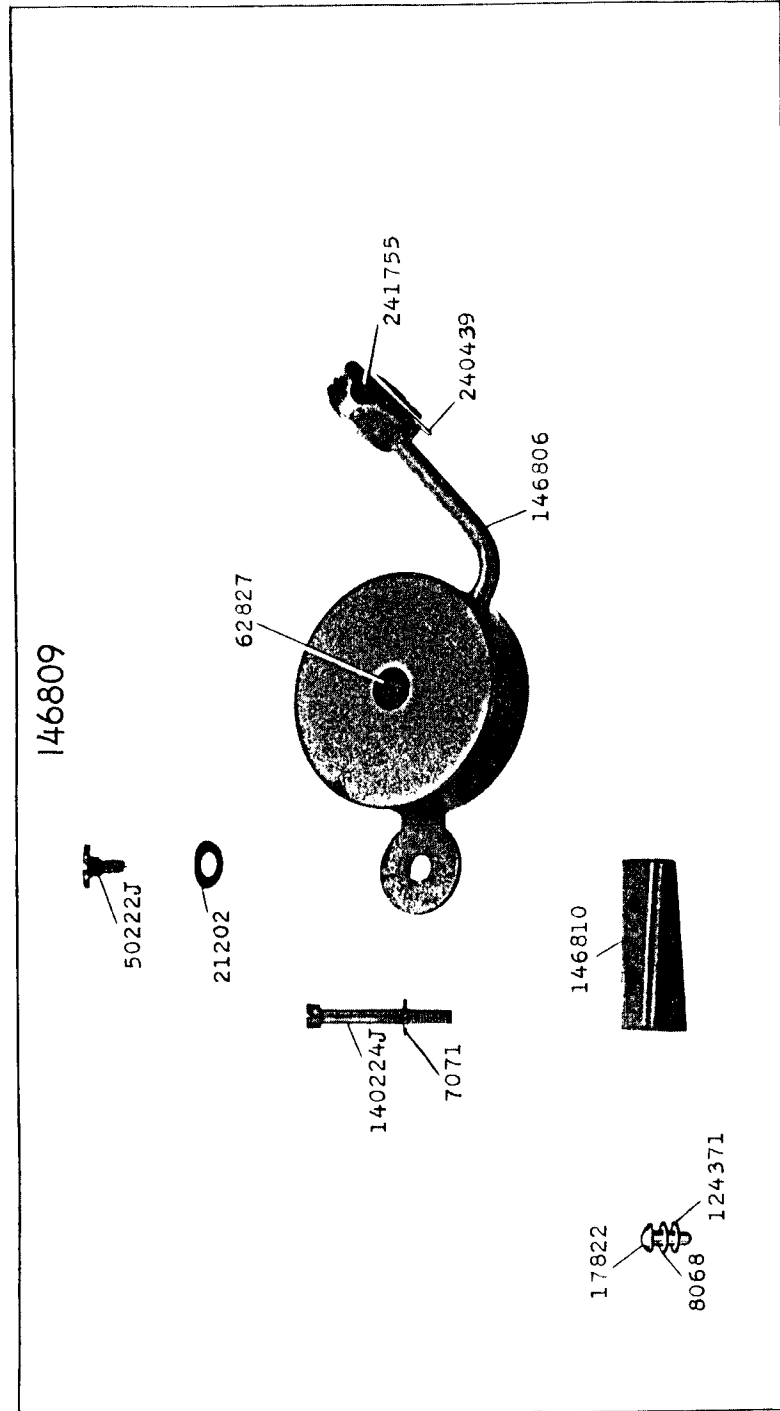
25047-2/3



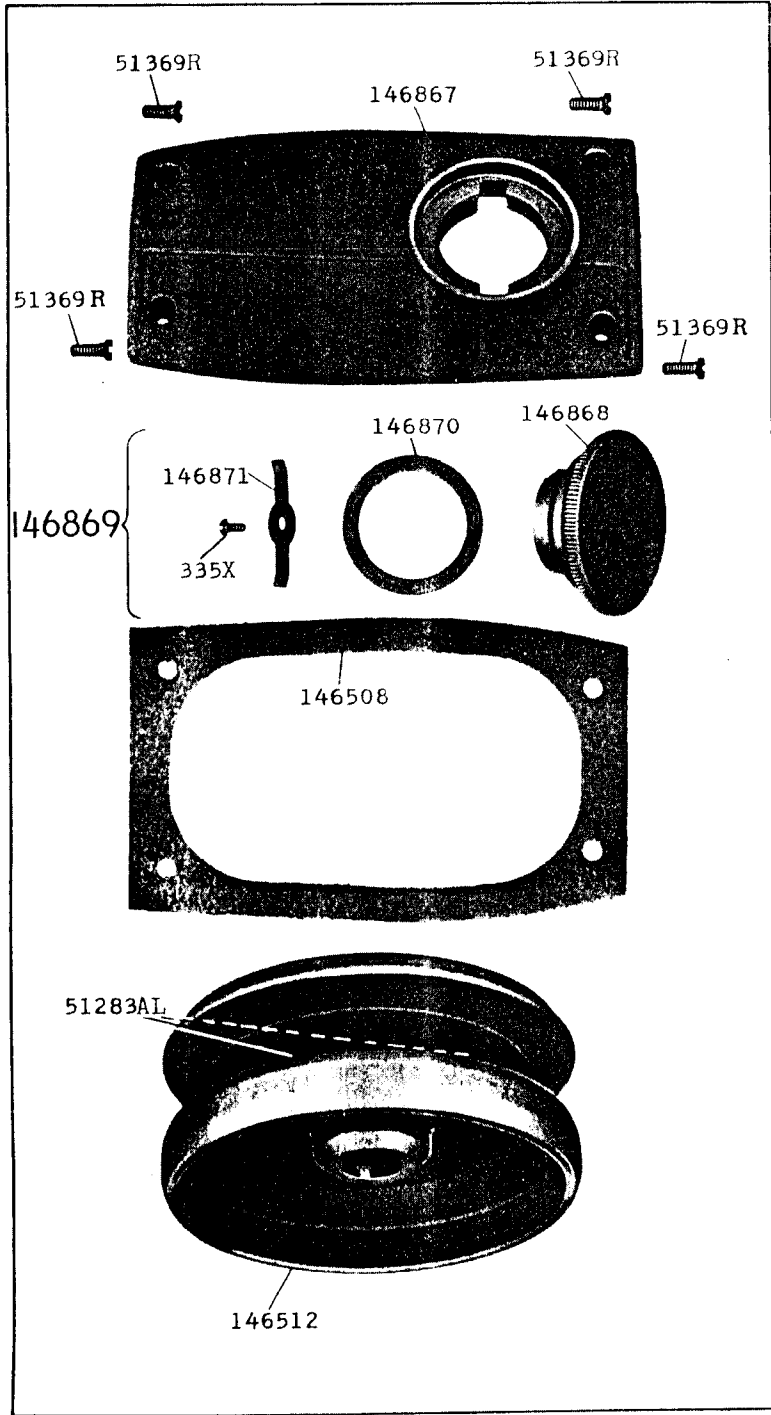
25050-1/2



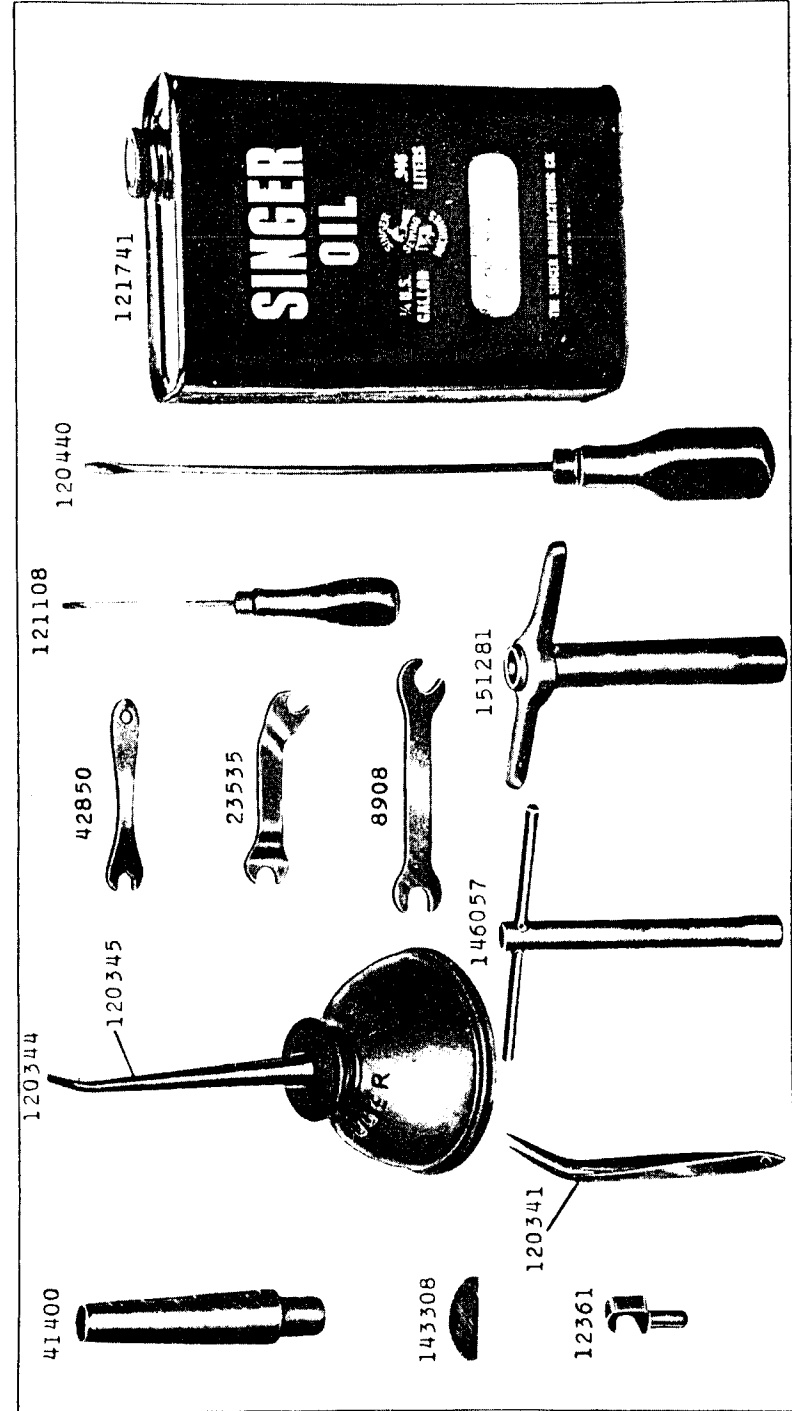
25051-1/2



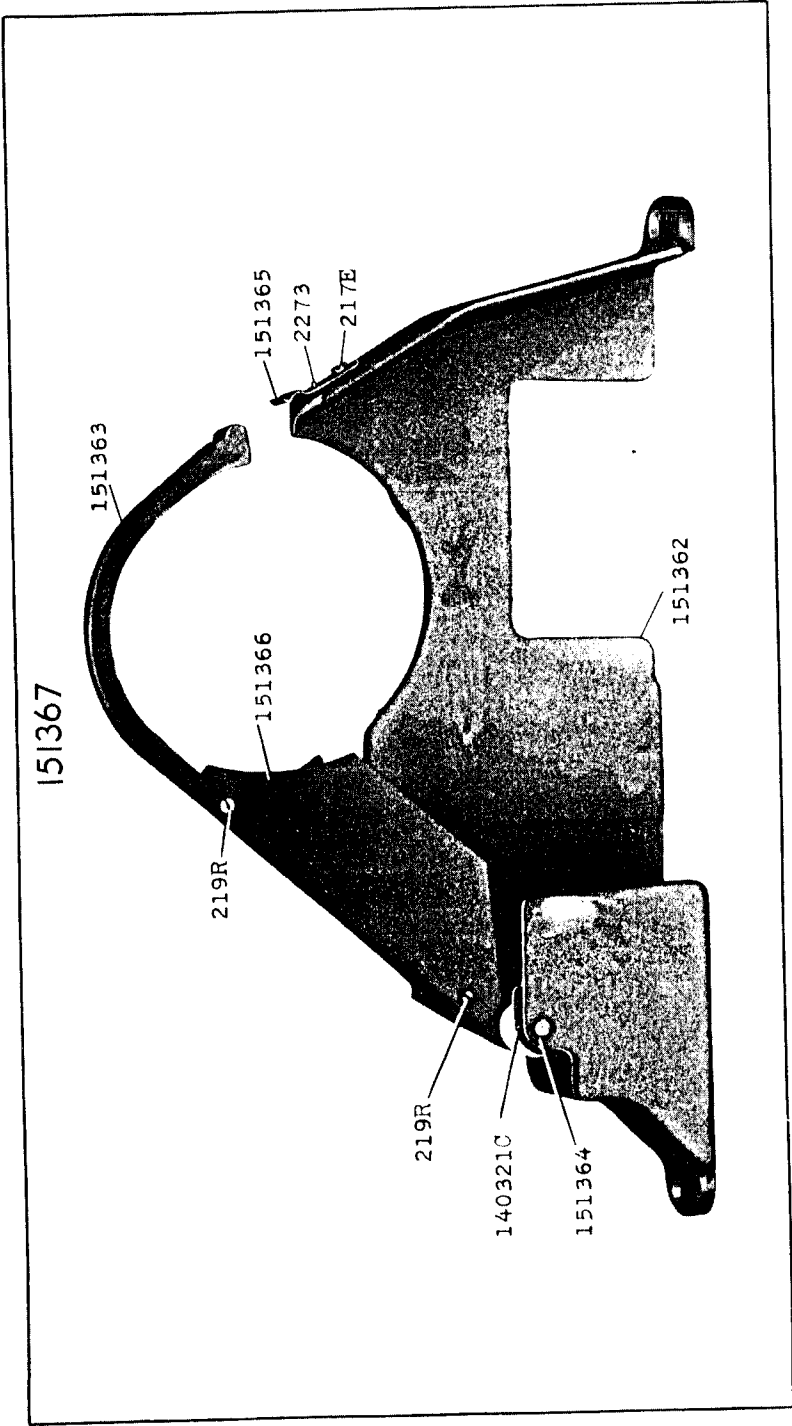
25074 1/2



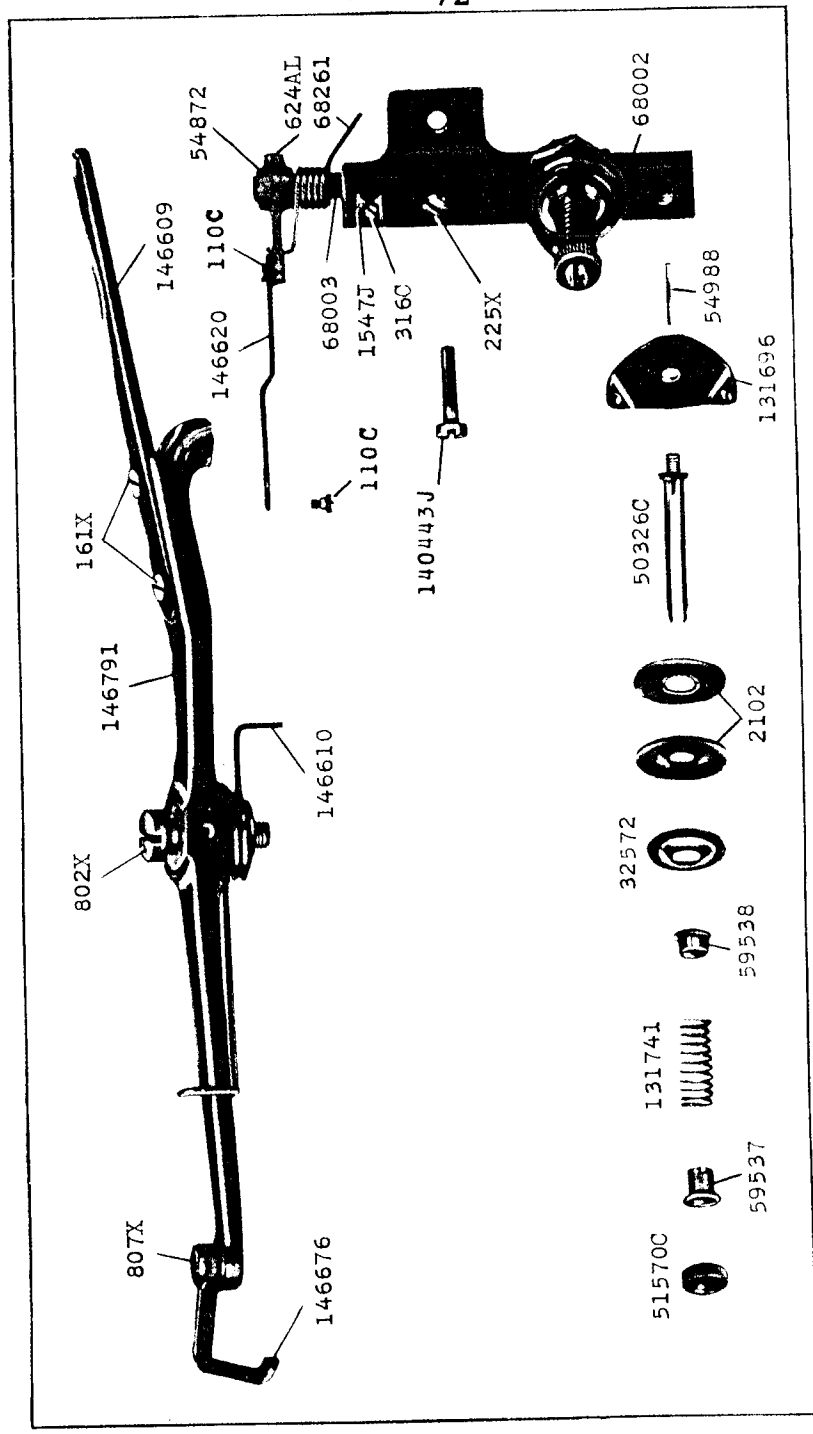
25090 1/2



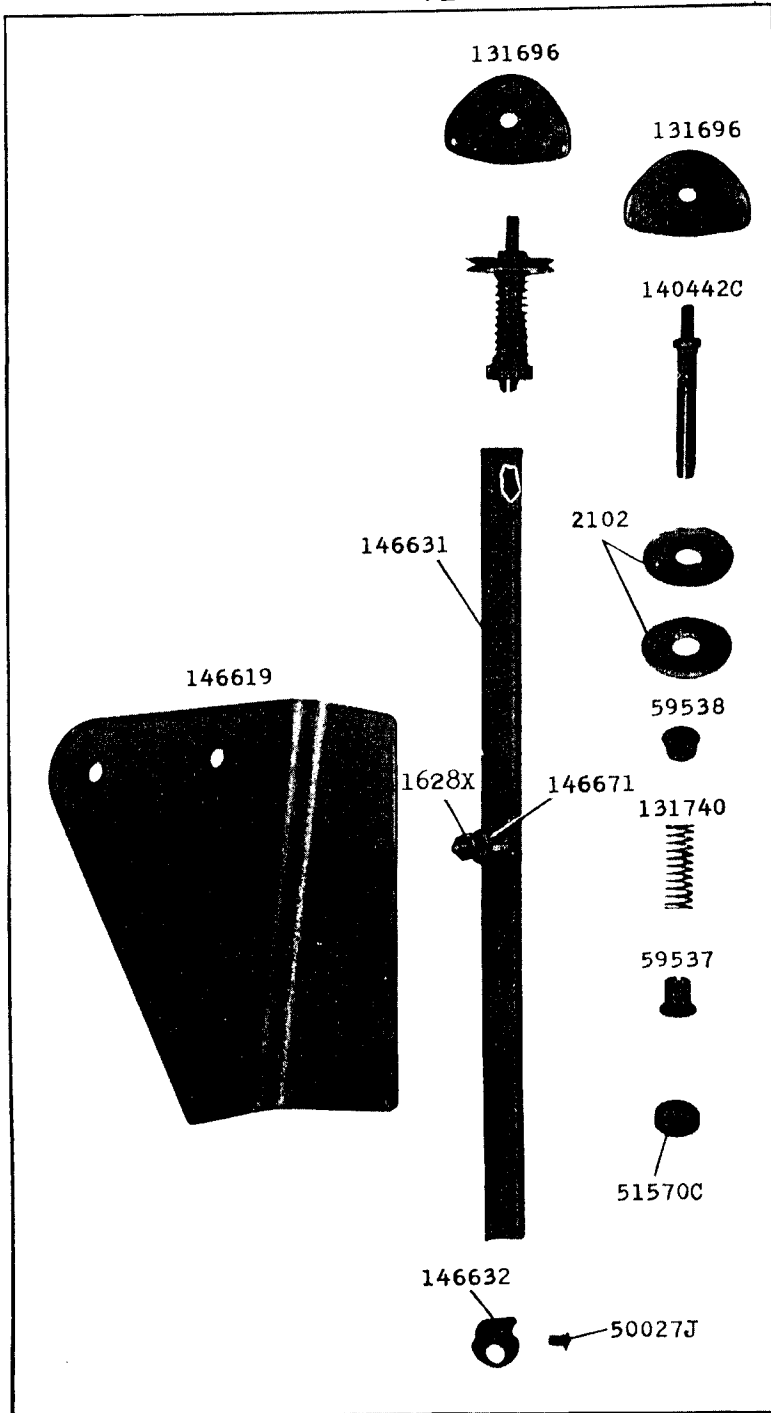
25091-1/3



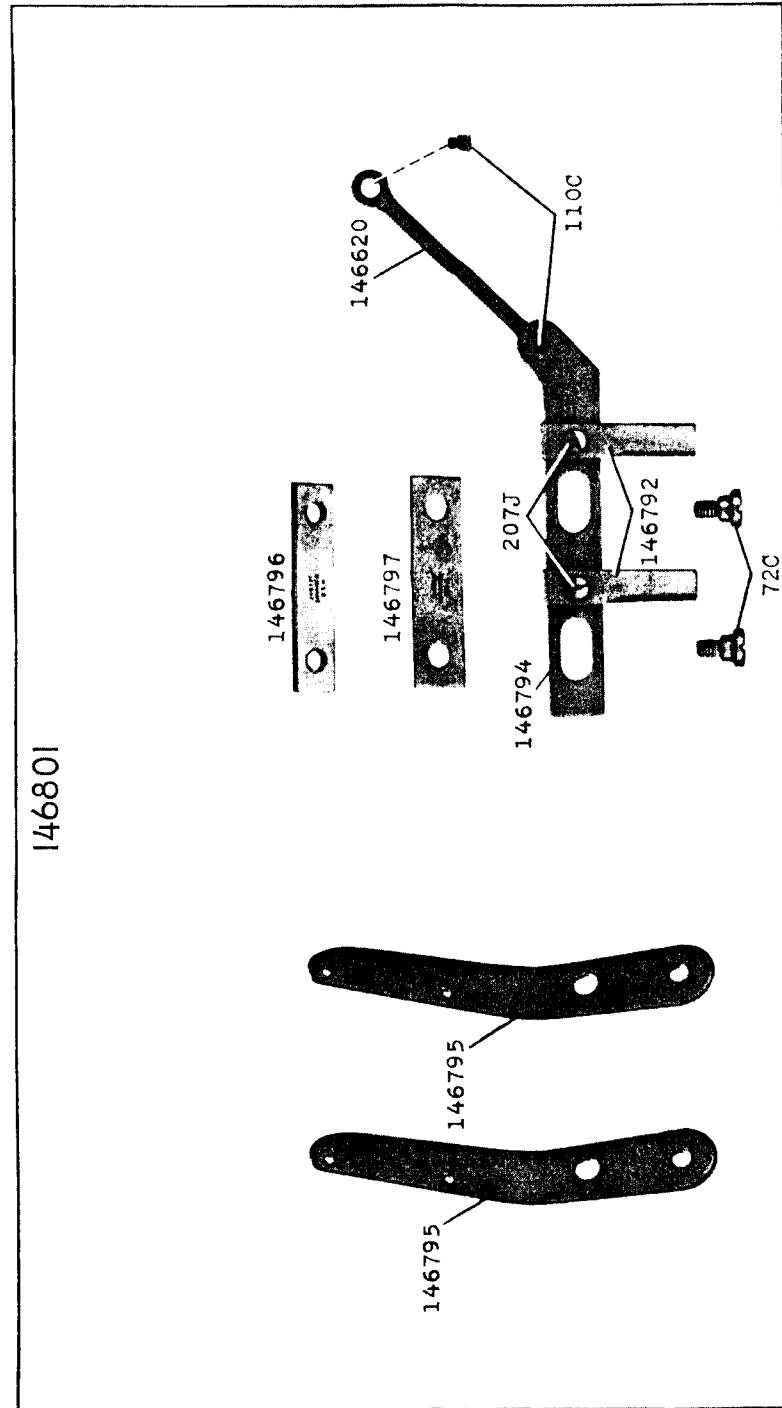
25097-1/2



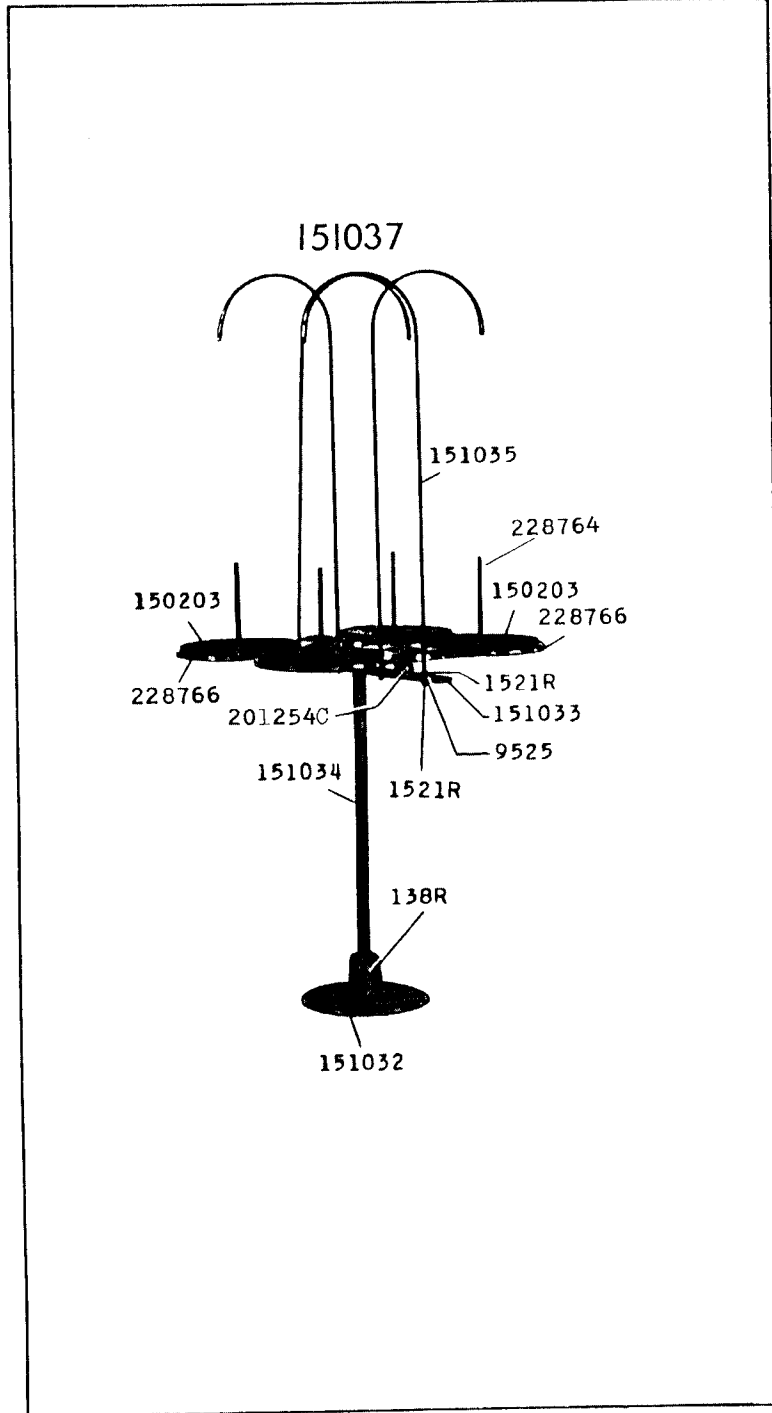
25098.1/2



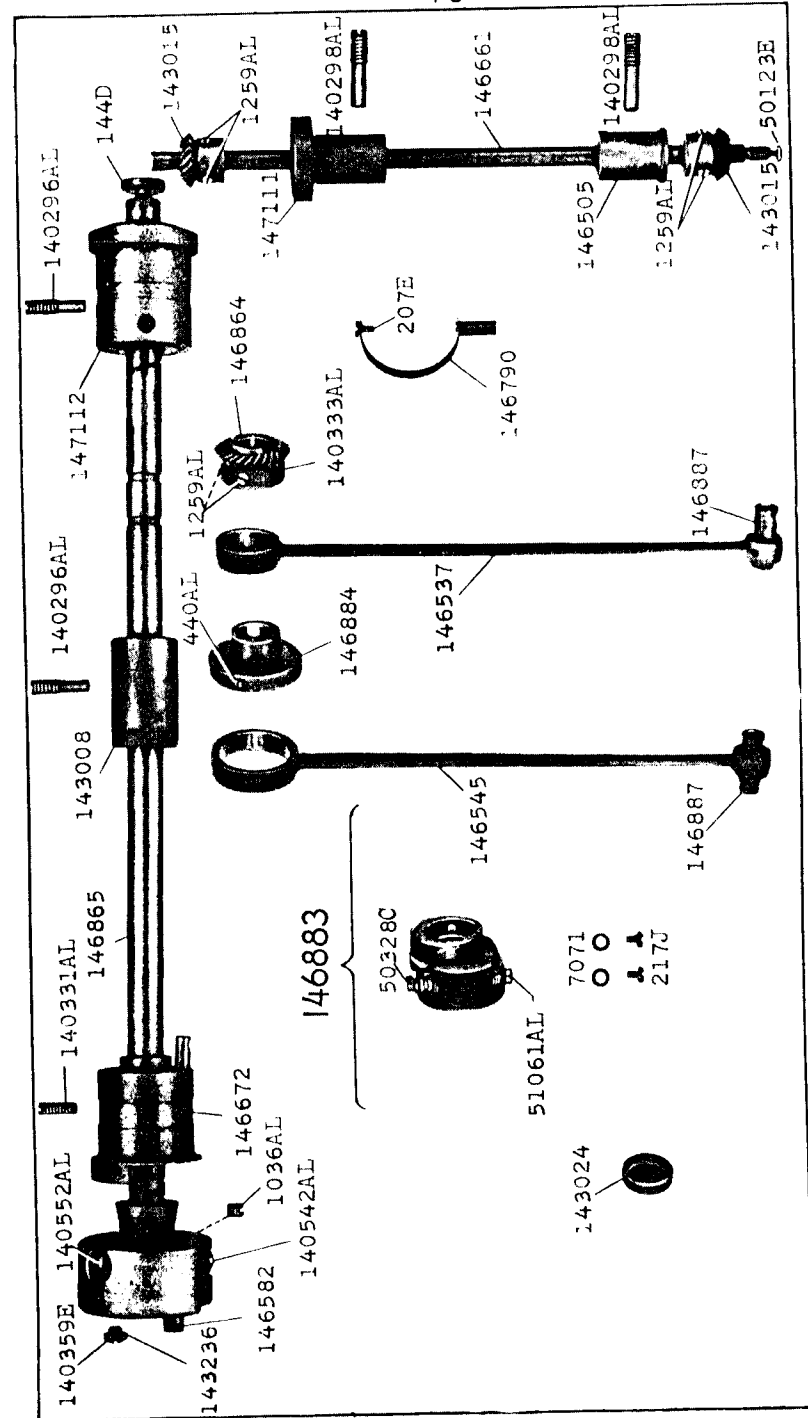
25099.1/2



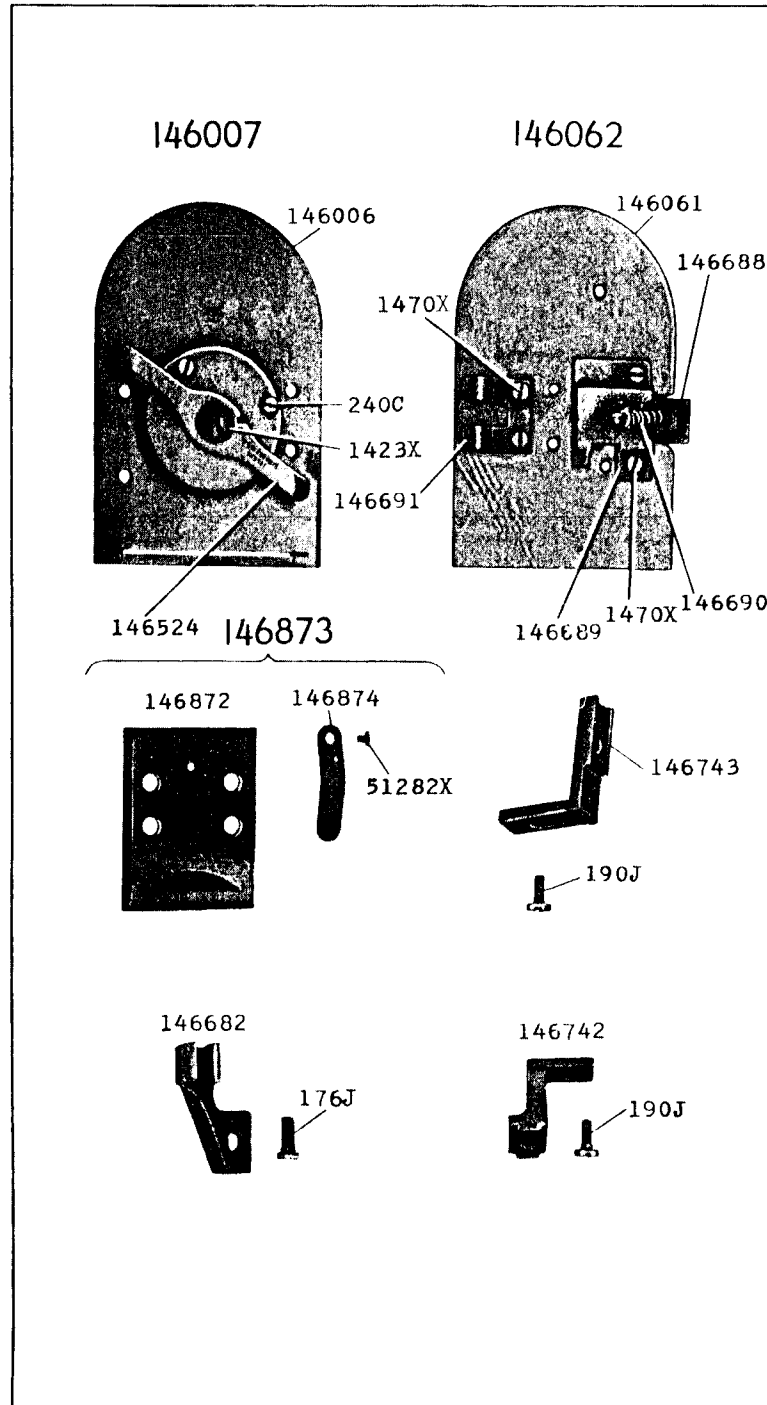
25106.1/6



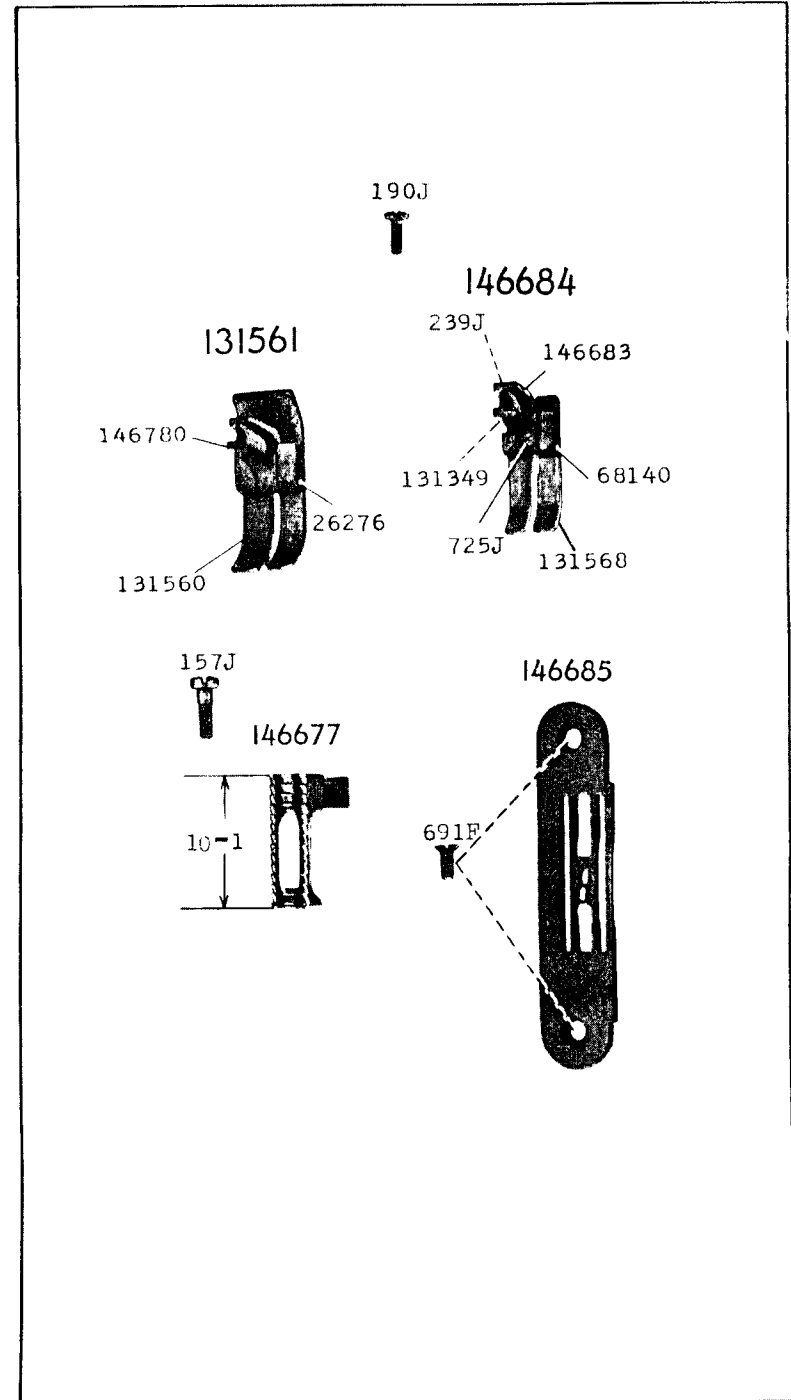
25107.1/3



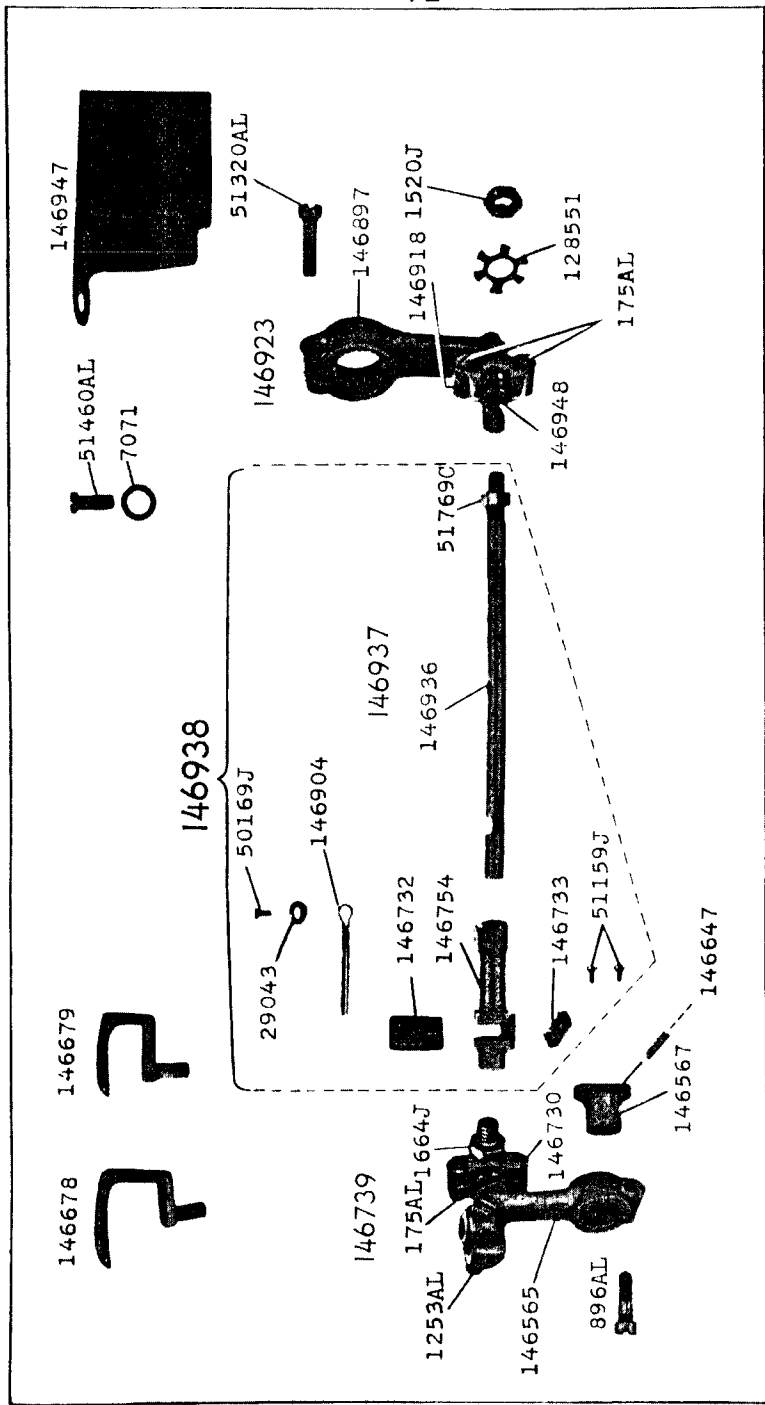
25108.1/2



25112.1/2



25113-1/2



25114-1/2

