

部 品 表

ILLUSTRATED PARTS LIST

FOR

SINGER

MACHINE

1591D 200A
240A
300A
308A

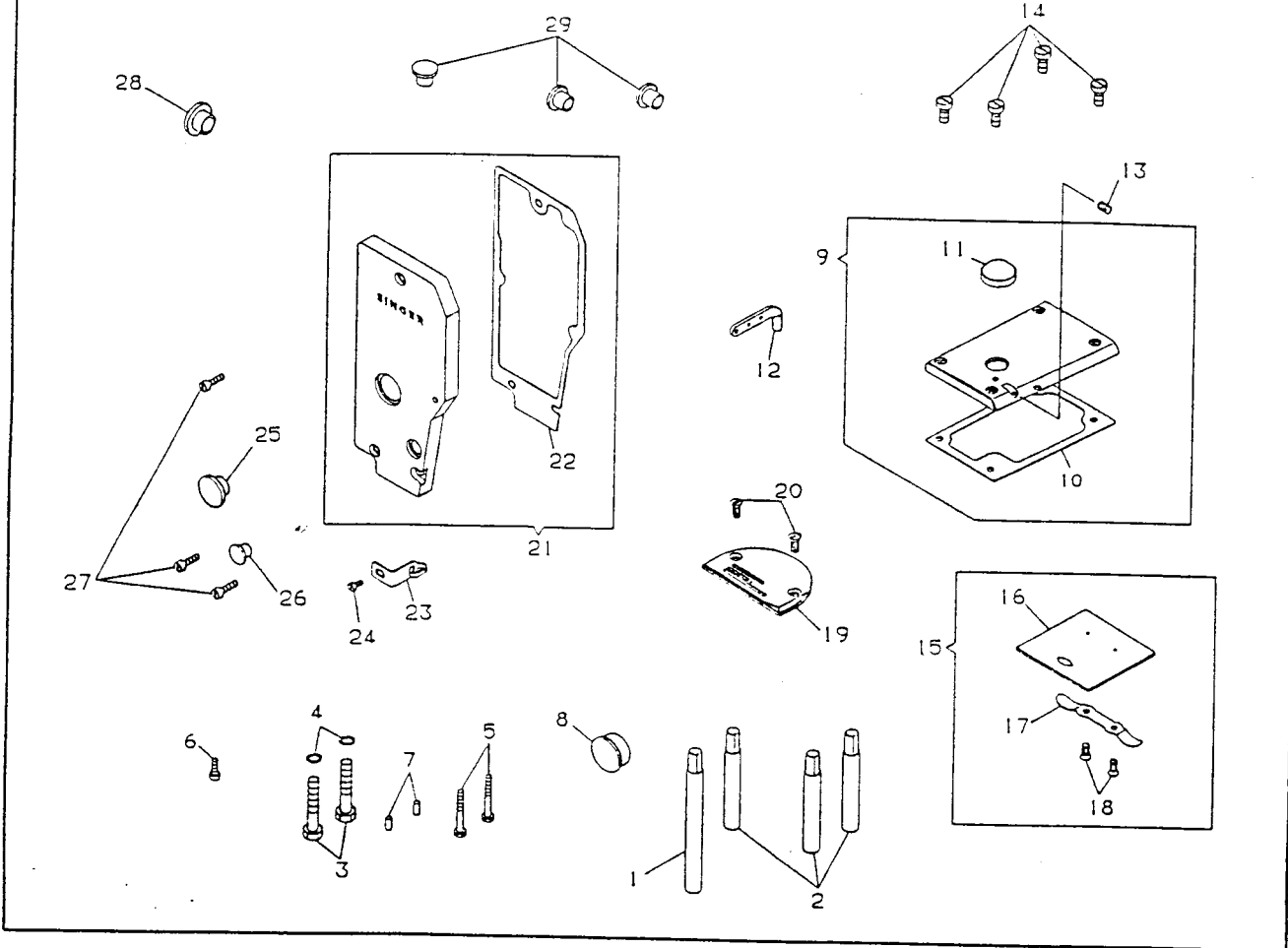
CONTENTS

目 次

| | |
|--|----|
| COVERS 1 | 1 |
| カバー 1 | |
| COVERS 2 | 2 |
| カバー 2 | |
| BOBBIN WINDER AND BOBBIN WINDER TENSION | 3 |
| ボビンワインダー、ボビンワインダーテンション | |
| ARM SHAFT | 4 |
| 上軸 | |
| NEEDLE BAR AND TAKE-UP LEVER | 5 |
| 針棒、天ピン | |
| PRESSER BAR, PRESSER FOOT AND PRESSER BAR LIFTER | 6 |
| 押工棒、自由押工、押工上げ | |
| FEED MECHANISM 1 | 7 |
| 送り 1 | |
| FEED MECHANISM 2 | 8 |
| 送り 2 | |
| FEED MECHANISM 3 | 9 |
| 送り 3 | |
| UPRIGHT SHAFT AND ROTATING HOOK SHAFT | 10 |
| 立軸、下軸 | |
| LUBRICATING MECHANISM | 11 |
| 給油、運送 | |
| ACCESSORIES AND ATTACHMENTS | 12 |
| 付属品 | |
| PARTS AVAILABLE AT EXTRA CHARGE | 13 |
| 別売品 | |

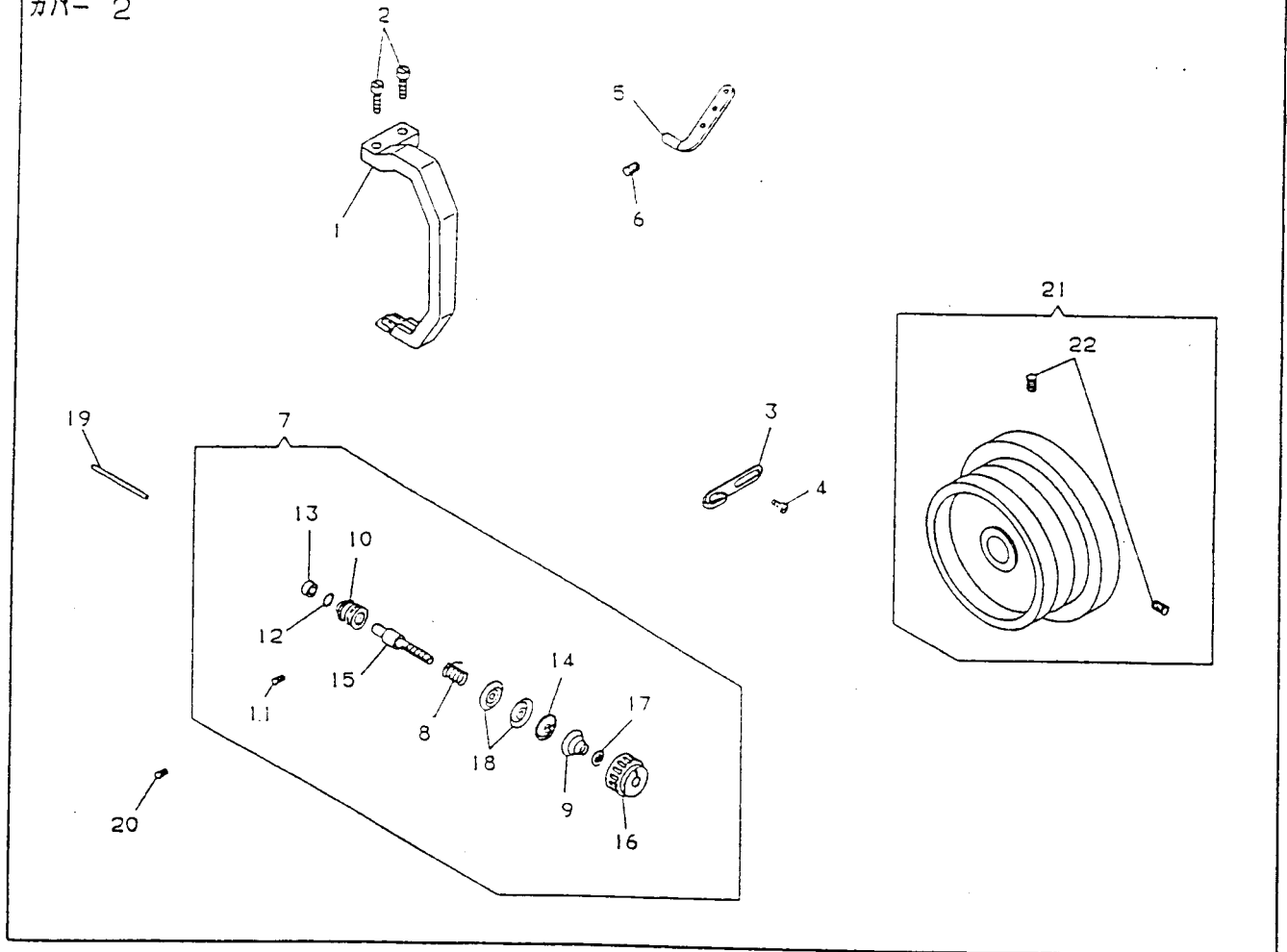
COVERS I

カバー I



| NO. | 部品番号 PART NO. | D2000 | D2400 | D3000 | 数量 QTY. | 名称 | DESCRIPTION |
|-----|------------------|-------|-------|-------|------------|--------------------|---|
| 1 | 550009 | . | . | . | 1 | ベッド脚(長) | BED LEG (LONG) |
| 2 | 550010 | . | . | . | 3 | ベッド脚(短) | BED LEG (SHORT) |
| 3 | 544368 | . | . | . | 2 | アーム, ベッド脚メネジ(前) | ARM SCREW (FRONT) |
| 4 | 543826 | . | . | . | 2 | アーム, ベッド脚メネジ(前) 適合 | ARM SCREW (FRONT) WASHER |
| 5 | 545033 | . | . | . | 2 | アーム, ベッド脚メネジ(後) | ARM SCREW (BACK) |
| 6 | 504064 | . | . | . | 1 | アーム, ベッド脚メネジ(小) | ARM SCREW (SMALL) |
| 7 | 505001 | . | . | . | 2 | アーム, ベッドノックピン | ARM DOWEL PIN |
| 8 | 550011 | . | . | . | 1 | ベッドホールプラグ | ARM HOLE PLUG |
| 9 | 550013-451 | . | . | . | 1 | アーム上蓋, パッキン(組) | ARM TOP COVER AND ARM TOP COVER PACKING COMP. |
| 10 | 550015 | . | . | . | 1 | アーム上蓋パッキン | ARM TOP COVER PACKING |
| 11 | 545944 | . | . | . | 1 | オイルフローウィンドウ | OIL FLOW WINDOW |
| 12 | 550020 | . | . | . | 1 | 上糸案内 | THREAD GUIDE |
| 13 | 544207-012 | . | . | . | 1 | 上糸案内止めネジ | THREAD GUIDE SCREW |
| 14 | 544213-053 | . | . | . | 4 | アーム上蓋脚メネジ | ARM TOP COVER SCREW |
| 15 | 505317-452 | . | . | . | 1 | スベリ板(組) | BED SLIDE COMP. |
| 16 | 12431-452 | . | . | . | 1 | スベリ板 | BED SLIDE |
| 17 | 154884 | . | . | . | 1 | スベリ板バネ | BED SLIDE SPRING |
| 18 | 154789-451 | . | . | . | 2 | スベリ板バネ止めネジ | BED SLIDE SPRING SCREW |
| 19 | 414464 | . | . | . | 1 | 針板(輸出) | THROAT PLATE (EXP.) |
| | 541599 | . | . | . | 1 | 針板(国内) | THROAT PLATE (DOM.) |
| | 12482-452 | . | . | . | 1 | 針板 | THROAT PLATE |
| | 376391 | . | . | . | 1 | 針板 | THROAT PLATE |
| 20 | 691-845 | . | . | . | 2 | 針板止めネジ | THROAT PLATE SCREW |
| 21 | 550035-451 | . | . | . | 1 | 面板, パッキン(組) | FACE PLATE AND FACE PLATE PACKING COMP. |
| 22 | 550037 | . | . | . | 1 | 面板パッキン | FACE PLATE PACKING |
| 23 | 368041 | . | . | . | 1 | アーム糸通ケ(左) | THREAD EYELET (SIDE OF ARM) |
| 24 | 544212-001 | . | . | . | 1 | アーム糸通ケ(左) 止めネジ | THREAD EYELET (SIDE OF ARM) SCREW |
| 25 | 368063 | . | . | . | 1 | 面板プラグ(大) | FACE PLATE LARGE PLUG |
| 26 | 368037 | . | . | . | 1 | 面板プラグ(小) | FACE PLATE SMALL PLUG |
| 27 | 544212-004 | . | . | . | 3 | 面板止めネジ | FACE PLATE SCREW |
| 28 | 544886 | . | . | . | 1 | アームホールプラグ(大) | ARM HOLE PLUG (LARGE) |
| 29 | 544782 | . | . | . | 3 | アームホールプラグ(小) | ARM HOLE PLUG (SMALL) |

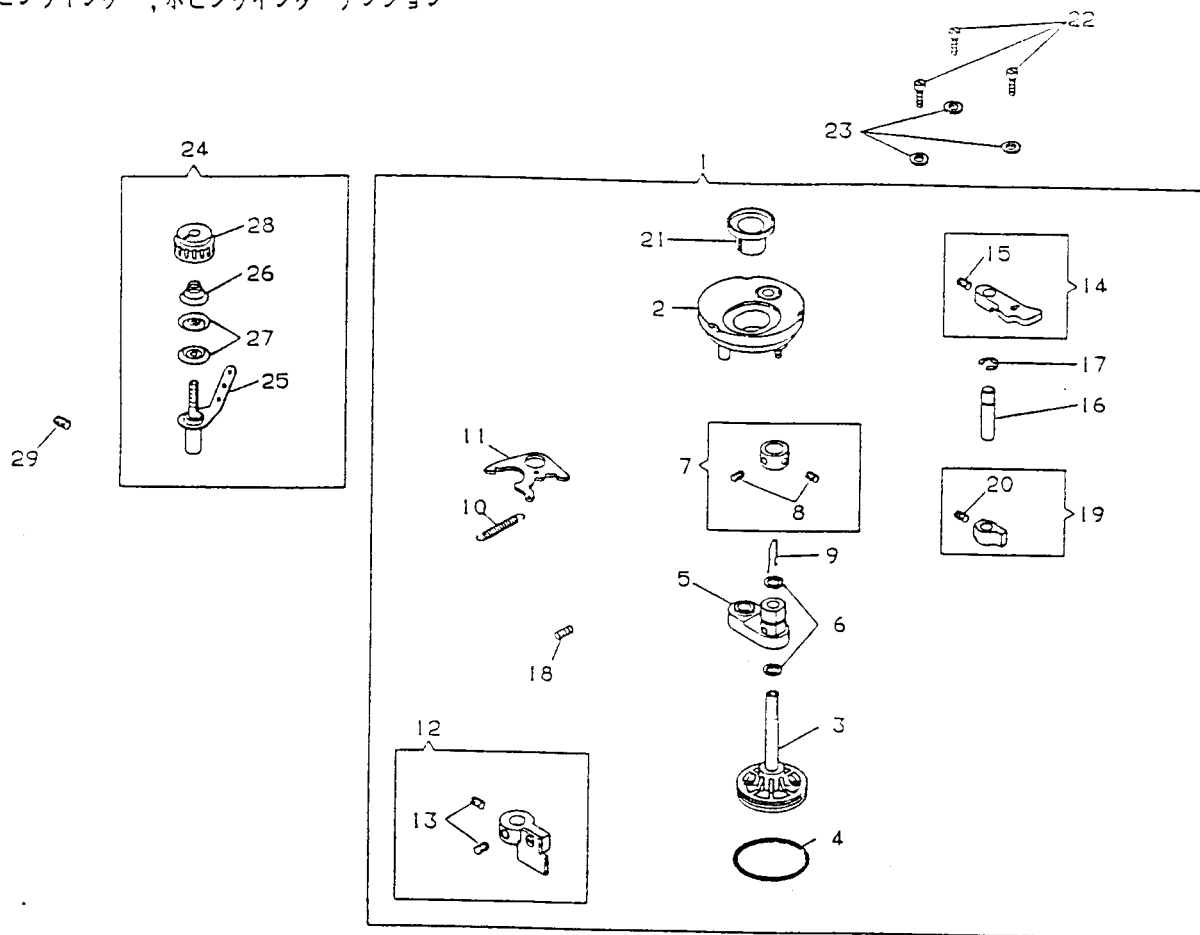
COVERS 2
カバー 2



| NO. | 部品番号 PART NO. | D1000A | D1000B | D1000C | D1000D | 数量 QTY. | 名称 | DESCRIPTION |
|-----|------------------|--------|--------|--------|--------|------------|---------------|--|
| 1 | 550040-451 | • | • | • | • | 1 | 天ビンガード | THREAD TAKE-UP LEVER GUARD |
| 2 | 544212-012 | • | • | • | • | 2 | 天ビンガード止めネジ | THREAD TAKE-UP LEVER GUARD SCREW |
| 3 | 368042 | • | • | • | • | 1 | アーム取掛ケ(右) | THREAD GUARD (SIDE OF ARM) |
| 4 | 544212-001 | • | • | • | • | 1 | アーム取掛ケ(右)止めネジ | THREAD GUARD (SIDE OF ARM) SCREW |
| 5 | 52454 | • | • | • | • | 1 | 三ツ目取掛ケ | THREAD RETAINER |
| 6 | 544203-001 | • | • | • | • | 1 | 三ツ目取掛ケ止めネジ | THREAD RETAINER SET SCREW |
| 7 | 376439-452 | • | • | • | • | 1 | 上糸調節器(器) | TENSION COMP. |
| | 376440-452 | • | • | • | • | 1 | 上糸調節器(蓋) | TENSION COMP. |
| 8 | 32758 | • | • | • | • | 1 | 糸取りバネ | THREAD TAKE-UP SPRING |
| 9 | 540682 | • | • | • | • | 1 | 糸調子バネ | TENSION SPRING |
| | 125314 | • | • | • | • | 1 | 糸調子バネ | TENSION SPRING |
| 10 | 368082 | • | • | • | • | 1 | 糸調子外筒 | THREAD TAKE-UP SPRING REGULATOR |
| 11 | 504047 | • | • | • | • | 1 | 糸調子取止メネジ | TENSION STUD SET SCREW |
| 12 | 540533 | • | • | • | • | 1 | 糸調子外筒パッキン | THREAD TAKE-UP SPRING REGULATOR O-RING |
| 13 | 540534 | • | • | • | • | 1 | 糸調子外筒キャップ | THREAD TAKE-UP SPRING REGULATOR RUBBER CAP |
| 14 | 414273 | • | • | • | • | 1 | 糸調子取掛工 | TENSION REGULATING THUMB NUT |
| 15 | 545898 | • | • | • | • | 1 | 糸調子取 | TENSION REGULATING THUMB NUT WASHER |
| 16 | 413500-452 | • | • | • | • | 1 | 糸調子つまみ | TENSION DISC |
| 17 | 411154 | • | • | • | • | 1 | 糸調子つまみ座金 | TENSION RELEASED PIN |
| 18 | 2102 | • | • | • | • | 2 | 糸調子取 | THREAD TAKE-UP SPRING REGULATOR SET SCREW |
| 19 | 540684 | • | • | • | • | 1 | 糸調子取 | MACHINE PULLEY COMP. |
| 20 | 368430 | • | • | • | • | 1 | 糸調子外筒止めネジ | MACHINE PULLEY SET SCREW |
| 21 | 550044-451 | • | • | • | • | 1 | ハズミ取(器) | |
| 22 | 504119 | • | • | • | • | 2 | ハズミ取止めネジ | |

BOBBIN WINDER AND BOBBIN WINDER TENSION

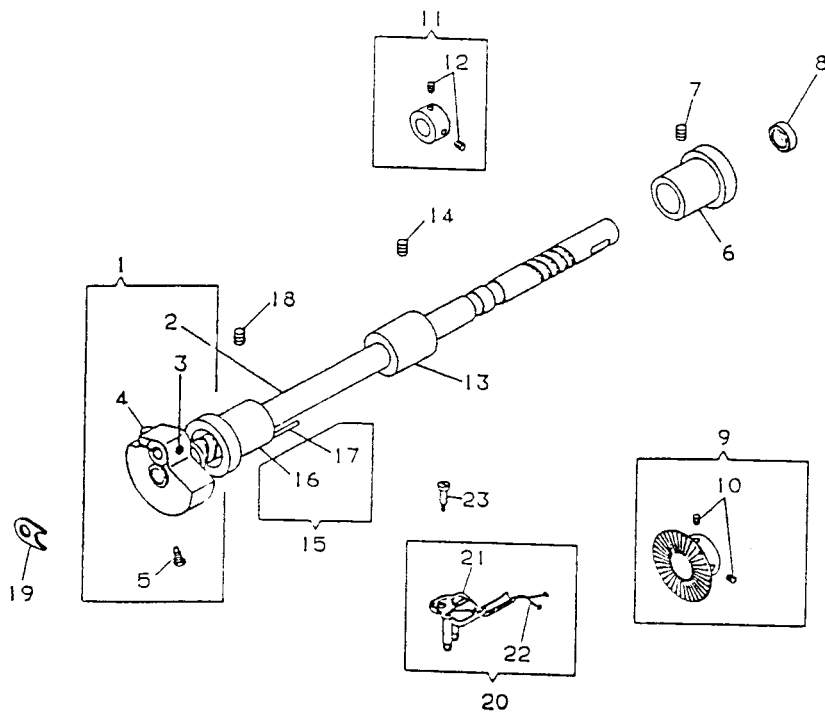
ボビンワインダー、ボビンワインダーテンション



| NO. | 部品番号 PART NO. | D200A | D240A | D300A | 数量 QTY. | 名称 | DESCRIPTION |
|-----|------------------|-------|-------|-------|------------|---------------------|---|
| 1 | 550021-451 | ● | ● | ● | 1 | ボビンワインダー(組) | BOBBIN WINDER COMP. |
| 2 | 550022-451 | ● | ● | ● | 1 | ボビンワインダー(体) | BOBBIN WINDER |
| 3 | 550026 | ● | ● | ● | 1 | 糸巻車 | BOBBIN WINDER PULLEY |
| 4 | 543871-022 | ● | ● | ● | 1 | 糸巻車オリング | BOBBIN WINDER PULLEY RING (RUBBER) |
| 5 | 550028 | ● | ● | ● | 1 | 糸巻機台 | BOBBIN WINDER BRACKET |
| 6 | 546844 | ● | ● | ● | 2 | 糸巻機スタストワッシャー | BOBBIN WINDER SPINDLE THRUST WASHER |
| 7 | 282758 | ● | ● | ● | 1 | 糸巻機スタストカラー(組) | BOBBIN WINDER SPINDLE THRUST COLLAR COMP. |
| 8 | 544206-011 | ● | ● | ● | 2 | 糸巻機スタストカラー止めネジ | BOBBIN WINDER SPINDLE THRUST COLLAR SET SCREW |
| 9 | 411097 | ● | ● | ● | 1 | 糸巻機バネ | BOBBIN WINDER SPINDLE SPRING |
| 10 | 544865 | ● | ● | ● | 1 | ボビンワインダーバネ | BOBBIN WINDER SPRING |
| 11 | 368020 | ● | ● | ● | 1 | 糸巻機台作動板 | BOBBIN WINDER BRACKET ACTUATING PLATE |
| 12 | 550029 | ● | ● | ● | 1 | ボビンワインダーstopper(組) | BOBBIN WINDER STOPPER COMP. |
| 13 | 544207-013 | ● | ● | ● | 2 | ボビンワインダーstopper止めネジ | BOBBIN WINDER STOPPER SCREW |
| 14 | 550032 | ● | ● | ● | 1 | ボビンワインダーレバー(組) | BOBBIN WINDER STOP LUTCH COMP. |
| 15 | 544208-005 | ● | ● | ● | 1 | ボビンワインダーレバー止めネジ | BOBBIN WINDER STOP LUTCH SET SCREW |
| 16 | 368025 | ● | ● | ● | 1 | ボビンワインダーレバー軸 | BOBBIN WINDER STOP LUTCH STUD |
| 17 | 543860-005 | ● | ● | ● | 1 | ボビンワインダーレバー軸止めネジ | BOBBIN WINDER STOP LUTCH STUD |
| 18 | 546847 | ● | ● | ● | 1 | 糸巻機台バネ | BOBBIN WINDER BRACKET SPRING |
| 19 | 368026 | ● | ● | ● | 1 | 糸巻機調節器(組) | BOBBIN WINDER REGULATOR COMP. |
| 20 | 544208-005 | ● | ● | ● | 1 | 糸巻機調節器止めネジ | BOBBIN WINDER REGULATOR SET SCREW |
| 21 | 368028 | ● | ● | ● | 1 | ボビン受付 | BOBBIN WINDER SPINDLE THREAD GUARD |
| 22 | 544217-001 | ● | ● | ● | 3 | ボビンワインダー止めネジ | BOBBIN WINDER SCREW |
| 23 | 548061 | ● | ● | ● | 3 | ボビンワインダー止めネジ屋蓋 | BOBBIN WINDER SCREW WASHER |
| 24 | 368029 | ● | ● | ● | 1 | ボビンワインダーテンション(組) | BOBBIN WINDER TENSION COMP. |
| 25 | 368030 | ● | ● | ● | 1 | ボビンワインダーテンションバネ | BOBBIN WINDER TENSION STUD COMP. |
| 26 | 547246 | ● | ● | ● | 1 | ボビンワインダーテンションバネ | BOBBIN WINDER TENSION SPRING |
| 27 | 547247 | ● | ● | ● | 2 | ボビンワインダーテンション両子母 | BOBBIN WINDER TENSION DISC |
| 28 | 368033 | ● | ● | ● | 1 | ボビンワインダーテンションワッシャー | BOBBIN WINDER TENSION REGULATING THUMB NUT |
| 29 | 544204-001 | ● | ● | ● | 1 | ボビンワインダーテンション止めネジ | BOBBIN WINDER TENSION SET SCREW |

ARM SHAFT

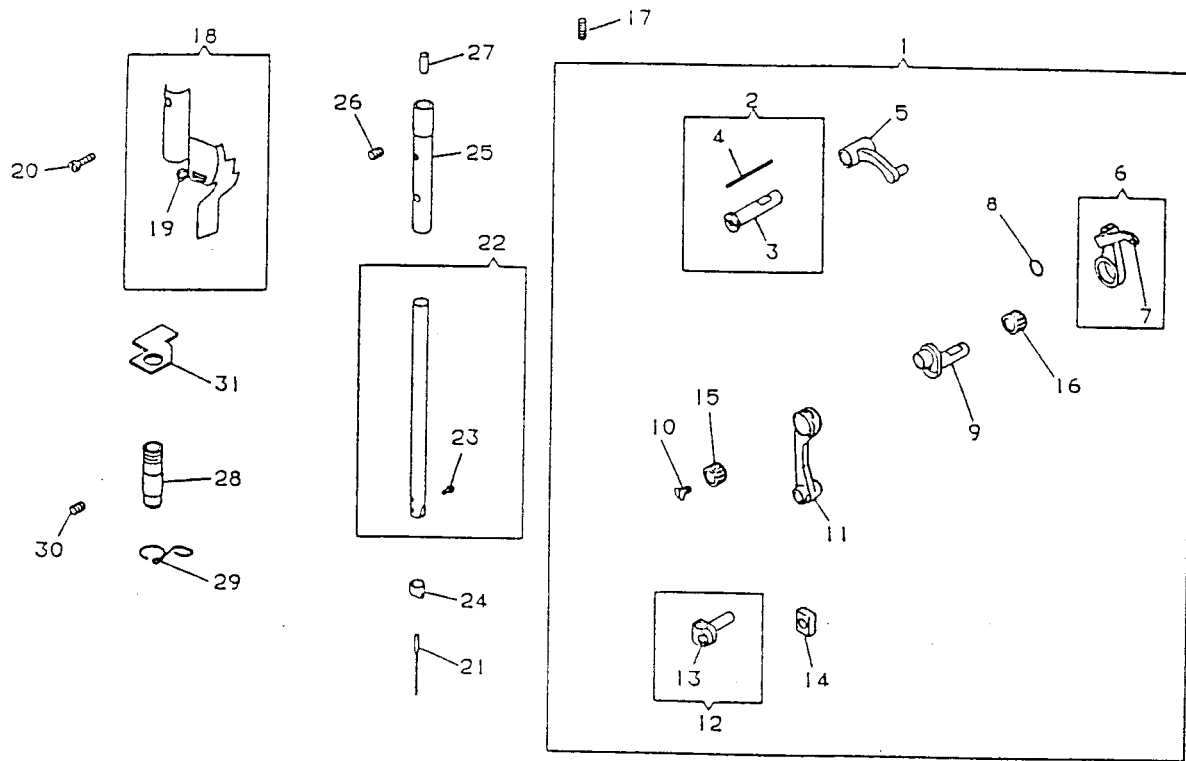
上軸



| NO. | PART NO. | 部品番号 | | | 数量 QTY. | 名称 | DESCRIPTION |
|-----|------------|-------|-------|-------|------------|----------------------|--|
| | | 0200A | 0210A | 0300A | | | |
| 1 | 376353 | ● | ● | ● | 1 | 上軸, 内合クラック(蓋) | ARM SHAFT (HORIZONTAL) AND NEEDLE BAR CRANK COMP. |
| 2 | 376352 | ● | ● | ● | 1 | 上軸(蓋) | ARM SHAFT (HORIZONTAL) |
| 3 | 504095 | ● | ● | ● | 1 | 針棒クラック止めネジ | THREAD TAKE-UP CRANK SET SCREW |
| 4 | 504117 | ● | ● | ● | 1 | 針棒クラック筒メネジ | THREAD TAKE-UP CRANK POSITION SCREW |
| 5 | 374100 | ● | ● | ● | 1 | 内合クラック止めネジ | THREAD TAKE-UP CLAMPING SCREW |
| 6 | 540706 | ● | ● | ● | 1 | 上軸メタル(後) | NEEDLE BAR CRANK POSITION SCREW |
| 7 | 504002 | ● | ● | ● | 1 | 上軸メタル(後)止めネジ | ARM SHAFT (HORIZONTAL) FLANGED BUSHING (BACK) |
| 8 | 540707 | ● | ● | ● | 1 | 上軸メタル(後)オイルシール | ARM SHAFT (HORIZONTAL) FLANGED BUSHING (BACK) SET SCREW |
| 9 | 550038 | ● | ● | ● | 1 | 糸巻器蓋車(蓋) | ARM SHAFT (HORIZONTAL) FLANGED BUSHING (BACK) OIL SEAL |
| 10 | 544207-011 | ● | ● | ● | 2 | 糸巻器蓋車止めネジ | BOBBIN WINDER DRIVING WHEEL COMP. |
| 11 | 545762-001 | ● | ● | ● | 1 | 上軸カラー(蓋) | BOBBIN WINDER DRIVING WHEEL SET SCREW |
| 12 | 504101 | ● | ● | ● | 2 | 上軸カラー止めネジ | ARM SHAFT (HORIZONTAL) THRUST COLLAR COMP. |
| 13 | 545758 | ● | ● | ● | 1 | 上軸メタル(中) | ARM SHAFT (HORIZONTAL) THRUST COLLAR SET SCREW |
| 14 | 504002 | ● | ● | ● | 1 | 上軸メタル(中)止めネジ | ARM SHAFT (HORIZONTAL) BUSHING (CENTER) |
| 15 | 540720 | ● | ● | ● | 1 | 上軸メタル(前)(蓋) | ARM SHAFT (HORIZONTAL) BUSHING (CENTER) SET SCREW |
| 16 | 540406 | ● | ● | ● | 1 | 上軸メタル(前) | ARM SHAFT (HORIZONTAL) FLANGED BUSHING (FRONT) COMP. |
| 17 | 540722 | ● | ● | ● | 1 | 上軸メタル(前)オイルドレンチューブ蓋 | ARM SHAFT (HORIZONTAL) FLANGED BUSHING (FRONT) |
| 18 | 504002 | ● | ● | ● | 1 | 上軸メタル(前)止めネジ | ARM SHAFT (HORIZONTAL) FLANGED BUSHING (FRONT) OIL TUBE TAPE |
| 19 | 540476 | ● | ● | ● | 1 | 針棒クラック座金 | ARM SHAFT (HORIZONTAL) FLANGED BUSHING (FRONT) SET SCREW |
| 20 | 543365 | ● | ● | ● | 1 | 天ビンオイルウィック支エ(蓋) | THREAD TAKE-UP CRANK WASHER |
| | 543366 | ● | ● | ● | 1 | 天ビンオイルウィック支エ(蓋) | OIL WICK HOLDER COMP. |
| 21 | 543363 | ● | ● | ● | 1 | 天ビンオイルウィック支エ, パイプ(蓋) | OIL WICK HOLDER COMP. |
| | 543364 | ● | ● | ● | 1 | 天ビンオイルウィック支エ, パイプ(蓋) | OIL WICK HOLDER AND PIPE |
| 22 | 545909 | ● | ● | ● | 2 | 天ビンオイルウィック | OIL WICK HOLDER AND PIPE |
| 23 | 545051 | ● | ● | ● | 1 | 天ビンオイルウィック支エ止めネジ | OIL WICK (COTTON) |
| | | | | | | | OIL WICK HOLDER SCREW |

NEEDLE BAR AND TAKE-UP LEVER

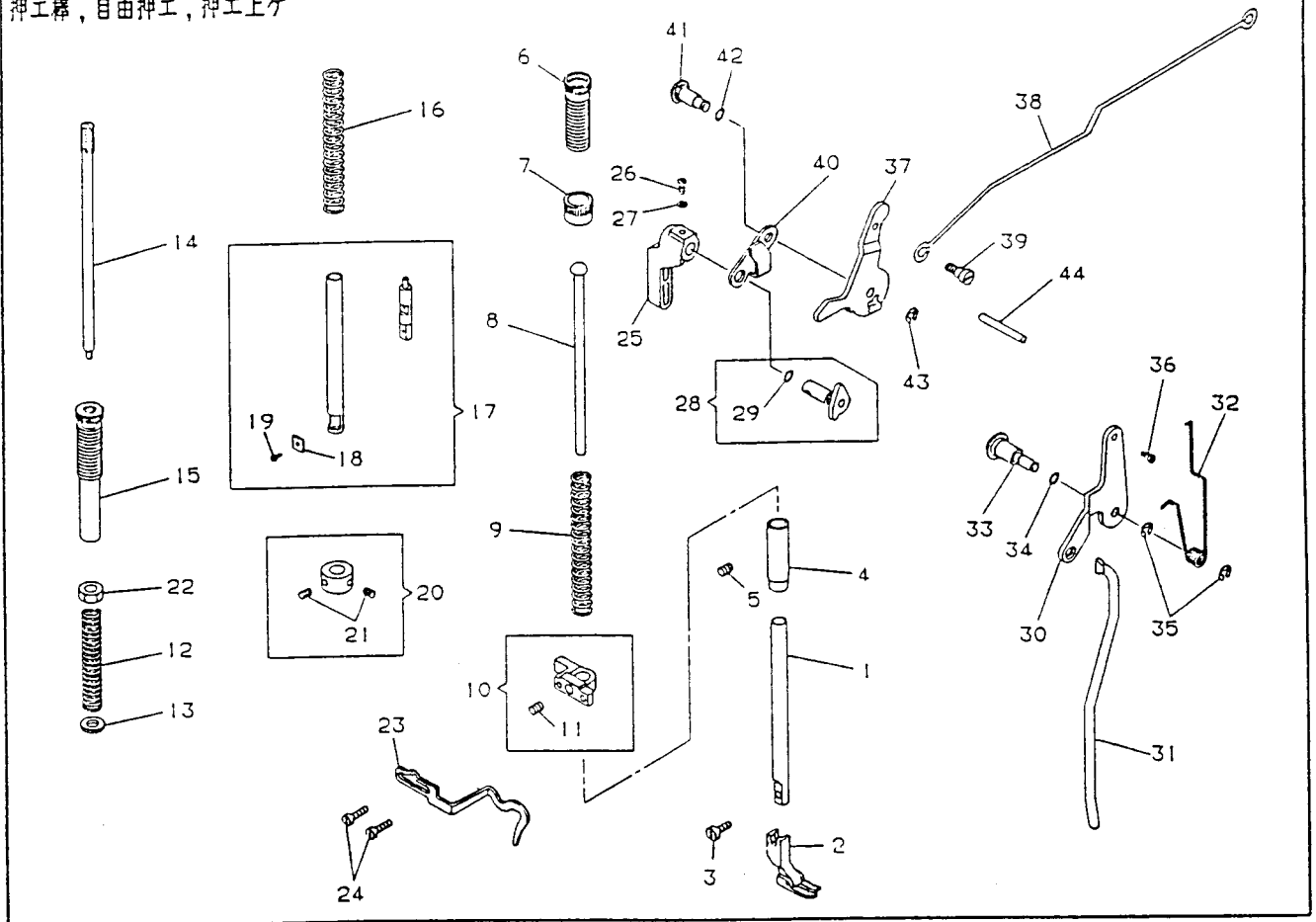
針棒, 天ピン



| NO. | 部品番号 PART NO. | 0200A | 0210A | 0300A | 0308A | 数量 QTY. | 名称 | DESCRIPTION |
|-----|------------------|-------|-------|-------|-------|------------|--------------------|--|
| 1 | 550052 | | | | | 1 | 天ピン, 針棒クランクロッド (組) | THREAD TAKE-UP COMP. |
| | 550054 | | | | | 1 | 天ピン, 針棒クランクロッド (組) | THREAD TAKE-UP COMP. |
| | 550248 | | | | | 1 | 天ピン, 針棒クランクロッド (組) | THREAD TAKE-UP COMP. |
| 2 | 543369 | | | | | 1 | 天ピン支工軸 (組) | THREAD TAKE-UP LEVER LINK HINGE STUD COMP. |
| 3 | 543368 | | | | | 1 | 天ピン支工軸 | THREAD TAKE-UP LEVER LINK HINGE STUD |
| 4 | 543370 | | | | | 1 | 天ピン支工軸オイルワック | THREAD TAKE-UP LEVER LINK HINGE STUD OIL WICK (COTTON) |
| 5 | 543367 | | | | | 1 | 天ピン支工 | THREAD TAKE-UP LEVER LINK |
| 6 | 540676 | | | | | 1 | 天ピン (組) | THREAD TAKE-UP LEVER COMP. |
| | 540751 | | | | | 1 | 天ピン (組) | THREAD TAKE-UP LEVER COMP. |
| 7 | 52130 | | | | | 1 | 天ピン糸道 | THREAD TAKE-UP LEVER THREAD EYELET BUSHING |
| 8 | 543871-002 | | | | | 1 | 天ピンOリング | THREAD TAKE-UP LEVER O-RING |
| 9 | 540677 | | | | | 1 | 針棒クランク | THREAD TAKE-UP CRANK |
| | 540685 | | | | | 1 | 針棒クランク | THREAD TAKE-UP CRANK |
| 10 | 504118 | | | | | 1 | 針棒クランクロッド止メネジ | NEEDLE BAR CONNECTING LINK CAP SCREW |
| 11 | 368069 | | | | | 1 | 針棒クランクロッド | NEEDLE BAR CONNECTING LINK |
| 12 | 544881 | | | | | 1 | 針棒軸ネ (組) | NEEDLE BAR CONNECTING STUD COMP. |
| 13 | 549380 | | | | | 1 | 針棒軸ネ締めネジ | NEEDLE BAR CONNECTING STUD CLAMPING SCREW |
| 14 | 143058 | | | | | 1 | 針棒軸ネスライドブロック | NEEDLE BAR CONNECTING STUD SLIDE BLOCK |
| 15 | 540662 | | | | | 1 | 針棒クランクロッドローラーベアリング | NEEDLE BAR CONNECTING LINK ROLLER BEARING |
| 16 | 540662 | | | | | 1 | 天ピンローラーベアリング | THREAD TAKE-UP LEVER ROLLER BEARING |
| 17 | 504002 | | | | | 1 | 天ピン支工軸止メネジ | THREAD TAKE-UP LEVER LINK HINGE STUD SET SCREW |
| 18 | 376394 | | | | | 1 | 天ピンオイルガード (組) | THREAD TAKE-UP LEVER OIL GUARD COMP. |
| 19 | 376396 | | | | | 1 | 天ピンオイルガードオイルワック | THREAD TAKE-UP LEVER OIL GUARD WICK (COTTON) |
| 20 | 504063-451 | | | | | 1 | 天ピンオイルガード止メネジ | THREAD TAKE-UP LEVER OIL GUARD SCREW |
| 21 | N19550-114 | | | | | 1 | 針 (135×65#14) (組出) | NEEDLE (135X65#14) (EXP.) |
| | N15150-110 | | | | | 1 | 針 (16X95#10) (組内) | NEEDLE (16X95#10) (DOM.) |
| | N19550-116 | | | | | 1 | 針 (135×65#16) (組出) | NEEDLE (135X65#16) (EXP.) |
| | N15150-114 | | | | | 1 | 針 (16X95#14) (組内) | NEEDLE (16X95#14) (DOM.) |
| | N19550-121 | | | | | 1 | 針 (135×65#21) | NEEDLE (135X65#21) |
| 22 | 540702 | | | | | 1 | 針棒 (組) (組出) | NEEDLE BAR (HOLLOW) COMP. (EXP.) |
| | 376231 | | | | | 1 | 針棒 (組) (組内) | NEEDLE BAR (HOLLOW) COMP. (DOM.) |
| | 540698 | | | | | 1 | 針棒 (組) (組出) | NEEDLE BAR (HOLLOW) COMP. (EXP.) |
| | 376229 | | | | | 1 | 針棒 (組) (組内) | NEEDLE BAR (HOLLOW) COMP. (DOM.) |
| | 543409 | | | | | 1 | 針棒 (組) | NEEDLE BAR (HOLLOW) COMP. |
| 23 | 504112 | | | | | 1 | 針止メネジ | NEEDLE SET SCREW |
| 24 | 375571 | | | | | 1 | 針棒糸道ネ (組出) | NEEDLE BAR THREAD GUARD (EXP.) |
| | 372321 | | | | | 1 | 針棒糸道ネ (組内) | NEEDLE BAR THREAD GUARD (DOM.) |
| 25 | 545841 | | | | | 1 | 針棒メタル (上) | NEEDLE BAR BUSHING (UPPER) |
| 26 | 504129 | | | | | 1 | 針棒メタル (上) 止メネジ | NEEDLE BAR BUSHING (UPPER) SET SCREW |
| 27 | 540703 | | | | | 1 | 針棒メタル (上) フェルト | NEEDLE BAR BUSHING (UPPER) FELT |
| 28 | 540524 | | | | | 1 | 針棒メタル (下) | NEEDLE BAR BUSHING (LOWER) |
| | 540525 | | | | | 1 | 針棒メタル (下) | NEEDLE BAR BUSHING (LOWER) |
| 29 | 368446 | | | | | 1 | 針棒メタル (下) 糸道ネ | NEEDLE BAR BUSHING (LOWER) THREAD EYELET |
| | 368495 | | | | | 1 | 針棒メタル (下) 糸道ネ | NEEDLE BAR BUSHING (LOWER) THREAD EYELET |
| 30 | 504129 | | | | | 1 | 針棒メタル (下) 止メネジ | NEEDLE BAR BUSHING (LOWER) SET SCREW |
| 31 | 540528 | | | | | 1 | 針棒メタル (下) フェルト | NEEDLE BAR BUSHING (LOWER) FELT |

PRESSER BAR, PRESSER FOOT AND PRESSER BAR LIFTER

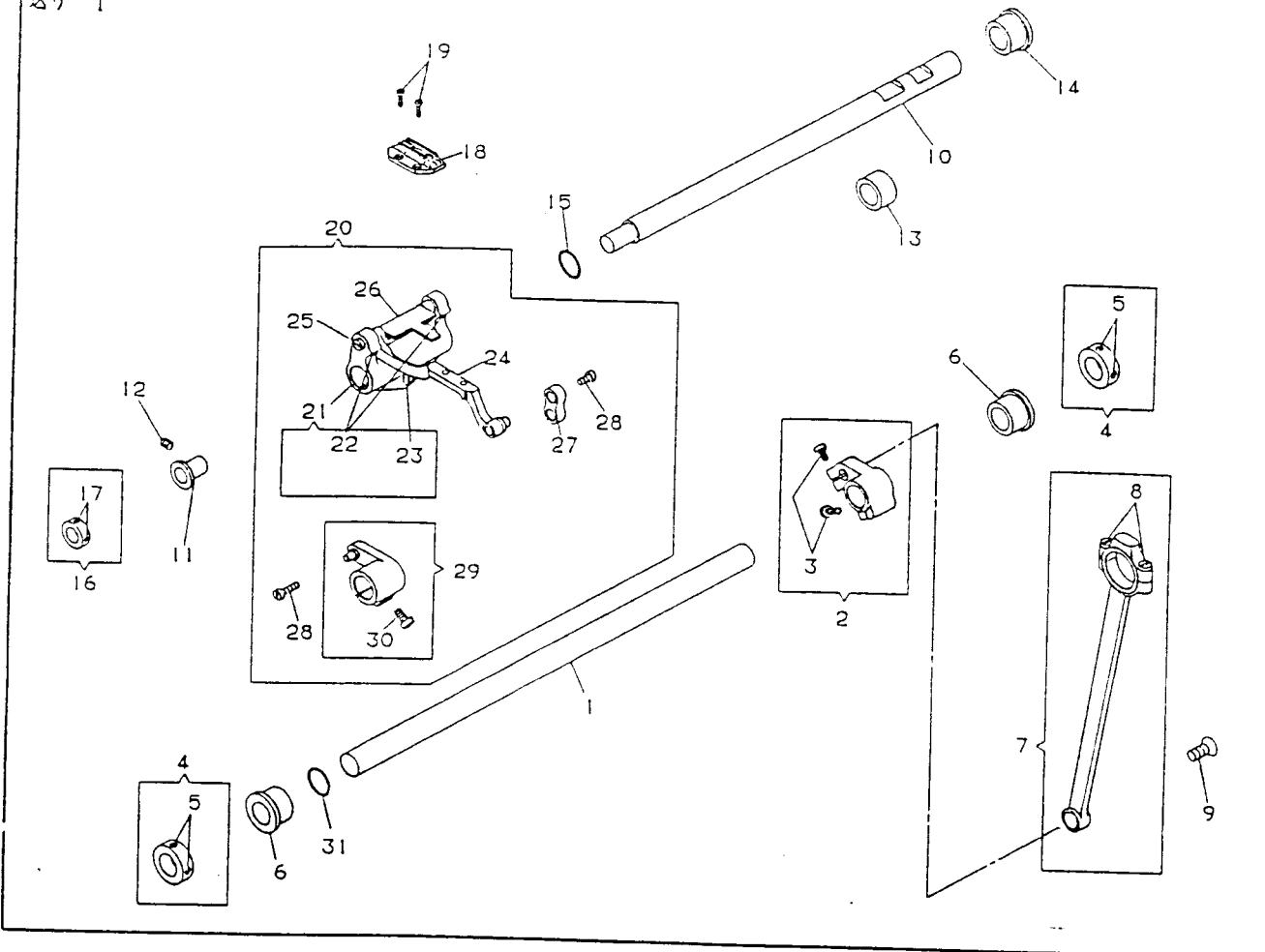
押工棒, 自由押工, 押工上ゲ



| NO. | 部品番号 PART NO. | D200A | D240A | D300A | 数量 QTY. | 名称 | DESCRIPTION |
|-----|------------------|-------|-------|-------|------------|-------------------|---|
| 1 | 545864 | . | . | . | 1 | 押工棒 | PRESSER BAR (HOLLOW) |
| 2 | 505643 | . | . | . | 1 | 自由押工(組)(組出) | PRESSER FOOT (SPRING HINGED) COMP. (EXP.) |
| | 543059 | . | . | . | 1 | 自由押工(組)(組内) | PRESSER FOOT (SPRING HINGED) COMP. (DOM.) |
| | 543419 | . | . | . | 1 | 自由押工(組) | PRESSER FOOT (SPRING HINGED) COMP. |
| | 541585-002 | . | . | . | 1 | 自由押工(組) | PRESSER FOOT (SPRING HINGED) COMP. |
| 3 | 504063-451 | . | . | . | 1 | 自由押工止めネジ | PRESSER FOOT SCREW |
| 4 | 505649 | . | . | . | 1 | 押工棒メタル | PRESSER BAR BUSHING (LOWER) |
| 5 | 504129 | . | . | . | 1 | 押工棒メタル止めネジ | PRESSER BAR BUSHING (LOWER) SET SCREW |
| 6 | 376423 | . | . | . | 1 | 押工調整ネジ | PRESSURE REGULATING SCREW |
| 7 | 376424 | . | . | . | 1 | 押工調整ネジナット | PRESSURE REGULATING SCREW NUT |
| 8 | 414342 | . | . | . | 1 | 押工調整ネジ案内棒 | PRESSURE REGULATING SCREW GUIDE ROD |
| 9 | 414341 | . | . | . | 1 | 押工棒バネ | PRESSER BAR SPRING |
| 10 | 550056 | . | . | . | 1 | 押工棒ガイド(組) | PRESSER BAR GUIDE BRACKET COMP. |
| 11 | 504095 | . | . | . | 1 | 押工棒ガイド止めネジ | PRESSER BAR GUIDE BRACKET SCREW |
| 12 | 505575 | . | . | . | 1 | 押工棒バネ | PRESSER BAR SPRING |
| 13 | 11170 | . | . | . | 1 | 押工棒バネ座金 | PRESSER BAR SPRING WASHER |
| 14 | 544425 | . | . | . | 1 | 押工調整ネジ | PRESSURE REGULATING THUMB SCREW |
| 15 | 544424 | . | . | . | 1 | 押工調整ネジ | LOW PRESSURE ADJUSTING SCREW |
| 16 | 410941 | . | . | . | 1 | 押工取付棒バネ | PRESSER FOOT SPRING (COMPRESSION) |
| 17 | 410988 | . | . | . | 1 | 押工棒(組) | PRESSER BAR (HOLLOW) |
| 18 | 410944 | . | . | . | 1 | 押工棒リテーナ | PRESSER FOOT RETAINER |
| 19 | 549013 | . | . | . | 1 | 押工棒リテーナ止めネジ | PRESSER FOOT RETAINER SCREW |
| 20 | 410942 | . | . | . | 1 | 押工棒カラー(組) | PRESSER BAR COLLAR COMP. |
| 21 | 544207-011 | . | . | . | 2 | 押工棒カラー止めネジ | PRESSER BAR COLLAR SCREW |
| 22 | 545403 | . | . | . | 1 | 押工調整ネジロックナット | PRESSURE REGULATING THUMB SCREW LOCK NUT |
| 23 | 550075 | . | . | . | 1 | 糸調子板 | SLACK THREAD REGULATOR COMP. |
| 24 | 544212-001 | . | . | . | 2 | 糸調子板止めネジ | SLACK THREAD REGULATOR SCREW |
| 25 | 550058-451 | . | . | . | 1 | 押工上ゲ | PRESSER BAR LIFTER |
| 26 | 544212-055 | . | . | . | 1 | 押工上ゲ止めネジ | PRESSER BAR LIFTER SET SCREW |
| 27 | 543804-003 | . | . | . | 1 | 押工上ゲ止めネジ座金 | PRESSER BAR LIFTER SET SCREW WASHER |
| 28 | 550059 | . | . | . | 1 | 押工上ゲカム(組) | PRESSER BAR LIFTER CAM COMP. |
| 29 | 543871-003 | . | . | . | 1 | 押工上ゲカム軸Oリング | PRESSER BAR LIFTER CAM SHAFT O-RING |
| 30 | 550069 | . | . | . | 1 | 鐘上ゲ連結棒 | BELL CRANK CONNECTING ARM |
| 31 | 550070 | . | . | . | 1 | 鐘上ゲ連結棒(押し) | BELL CRANK CONNECTING ROD (PUSH) |
| 32 | 550071 | . | . | . | 1 | 鐘上ゲ連結棒戻りシバネ | BELL CRANK CONNECTING ARM SPRING |
| 33 | 550072 | . | . | . | 1 | 鐘上ゲ連結棒戻りネジ | BELL CRANK CONNECTING ARM HINGE SCREW |
| 34 | 543871-008 | . | . | . | 1 | 鐘上ゲ連結棒戻りネジOリング | BELL CRANK CONNECTING ARM HINGE SCREW O-RING |
| 35 | 543801-006 | . | . | . | 2 | 鐘上ゲ連結棒戻り止めネジ | BELL CRANK CONNECTING ARM HINGE SCREW SNAP RING |
| 36 | 368089 | . | . | . | 1 | 鐘上ゲ連結棒(引き)戻りネジ(裏) | BELL CRANK CONNECTING ROD (PULL) STUD SCREW (BACK) |
| 37 | 550063 | . | . | . | 1 | 押工上ゲ爪 | PRESSER BAR LIFTER ARM |
| 38 | 550064 | . | . | . | 1 | 鐘上ゲ連結棒(引き) | BELL CRANK CONNECTING ROD (PULL) |
| 39 | 368089 | . | . | . | 1 | 鐘上ゲ連結棒(引き)戻りネジ(前) | BELL CRANK CONNECTING ROD (PULL) STUD SCREW (FRONT) |
| 40 | 550065 | . | . | . | 1 | 押工上ゲ戻り案内板 | PRESSER BAR LIFTER ARM GUIDE BRACKET |
| 41 | 550067 | . | . | . | 1 | 押工上ゲ戻りネジ | PRESSER BAR LIFTER HINGE SCREW |
| 42 | 543871-008 | . | . | . | 1 | 押工上ゲ戻りネジOリング | PRESSER BAR LIFTER HINGE SCREW O-RING |
| 43 | 543801-006 | . | . | . | 1 | 押工上ゲ戻りネジ止めネジ | PRESSER BAR LIFTER HINGE SCREW SNAP RING |
| 44 | 550066 | . | . | . | 1 | 糸調子作動ピン | TENSION RELEASE ACTUATING PIN |

FEED MECHANISM 1

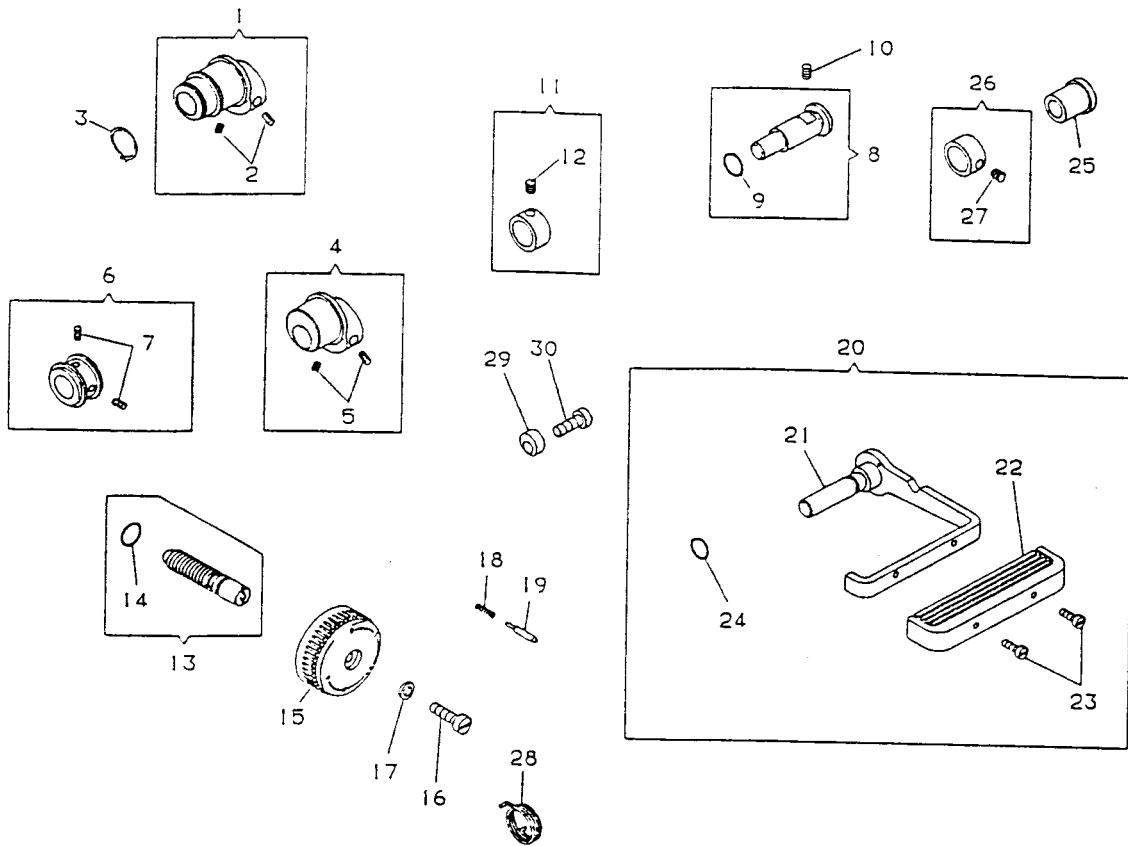
送り 1



| NO. | 部品番号 PART NO. | 0200A | 0210A | 0300A | 0300A | 数量 QTY. | 名称 | DESCRIPTION |
|-----|------------------|-------|-------|-------|-------|------------|--------------------|--|
| 1 | 544933 | ● | ● | ● | ● | 1 | 上下送り軸 | FEED LIFTING ROCK SHAFT |
| 2 | 545807 | ● | ● | ● | ● | 1 | 上下送り翼(後)(蓋) | FEED LIFTING ROCK SHAFT CRANK (BACK) COMP. |
| 3 | 549183 | ● | ● | ● | ● | 2 | 上下送り翼(後)締メネジ | FEED LIFTING ROCK SHAFT CRANK (BACK) CLAMPING SCREW |
| 4 | 545806 | ● | ● | ● | ● | 2 | 上下送り翼カラー(蓋) | FEED LIFTING ROCK SHAFT COLLAR COMP. |
| 5 | 504007 | ● | ● | ● | ● | 4 | 上下送り翼カラー止メネジ | FEED LIFTING ROCK SHAFT COLLAR SET SCREW |
| 6 | 545949 | ● | ● | ● | ● | 2 | 上下送り翼メタル | FEED LIFTING ROCK SHAFT FLANGED BUSHING |
| 7 | 545812 | ● | ● | ● | ● | 1 | 上下送りクラックロード(蓋) | FEED LIFTING ROCK SHAFT CRANK (BACK) CONNECTING ROD COMP. |
| 8 | 543488 | ● | ● | ● | ● | 1 | 上下送りクラックロード(蓋) | FEED LIFTING ROCK SHAFT CRANK (BACK) CONNECTING ROD COMP. |
| 9 | 545059 | ● | ● | ● | ● | 2 | 上下送りクラックロード締メネジ | FEED LIFTING ROCK SHAFT CRANK (BACK) CONNECTING ROD CAP SCREW |
| 10 | 545799 | ● | ● | ● | ● | 1 | 上下送りクラックロードヒンジスタッド | FEED LIFTING ROCK SHAFT CRANK (BACK) CONNECTING ROD HINGE STUD |
| 10 | 368450 | ● | ● | ● | ● | 1 | 水平送り軸 | FEED ROCK SHAFT |
| | 414290 | ● | ● | ● | ● | 1 | 水平送り軸 | FEED ROCK SHAFT |
| 11 | 545836 | ● | ● | ● | ● | 1 | 水平送り翼メタル(前) | FEED ROCK SHAFT FLANGED BUSHING (FRONT) |
| 12 | 504094 | ● | ● | ● | ● | 1 | 水平送り翼メタル(前)止メネジ | FEED ROCK SHAFT FLANGED BUSHING (FRONT) SET SCREW |
| 13 | 410806 | ● | ● | ● | ● | 1 | 水平送り翼メタル(中) | FEED ROCK SHAFT BUSHING (INTERMEDIATE) |
| 14 | 545949 | ● | ● | ● | ● | 1 | 水平送り翼メタル(後) | FEED ROCK SHAFT FLANGED BUSHING (BACK) |
| 15 | 543871-012 | ● | ● | ● | ● | 1 | 水平送り翼Oリング | FEED ROCK SHAFT O-RING |
| 16 | 545837 | ● | ● | ● | ● | 1 | 水平送り翼カラー(蓋) | FEED ROCK SHAFT COLLAR COMP. |
| 17 | 504007 | ● | ● | ● | ● | 2 | 水平送り翼カラー止メネジ | FEED ROCK SHAFT COLLAR SET SCREW |
| 18 | 376445 | ● | ● | ● | ● | 1 | 送り(輸出) | FEED DOG (EXP.) |
| | 543372 | ● | ● | ● | ● | 1 | 送り(国内) | FEED DOG (DCM.) |
| | 12481 | ● | ● | ● | ● | 1 | 送り | FEED DOG |
| | 143174 | ● | ● | ● | ● | 1 | 送り | FEED DOG |
| 19 | 504051 | ● | ● | ● | ● | 2 | 送り締メネジ | FEED DOG SCREW |
| 20 | 376334 | ● | ● | ● | ● | 1 | 送り合(蓋) | FEED BAR COMP. |
| | 376384 | ● | ● | ● | ● | 1 | 送り合(蓋) | FEED BAR COMP. |
| 21 | 376335 | ● | ● | ● | ● | 1 | 送り合キャリア(蓋) | FEED BAR CARRIER COMP. |
| 22 | 544207-013 | ● | ● | ● | ● | 2 | 送り合ヒンジピン締メネジ | FEED BAR HINGE PIN CLAMPING SCREW |
| 23 | 549028 | ● | ● | ● | ● | 1 | 送り合キャリア締メネジ | FEED BAR CARRIER CLAMPING SCREW |
| 24 | 545987 | ● | ● | ● | ● | 1 | 送り合 | FEED BAR |
| | 543482 | ● | ● | ● | ● | 1 | 送り合 | FEED BAR |
| 25 | 545791 | ● | ● | ● | ● | 1 | 送り合ヒンジピン | FEED BAR HINGE PIN |
| 26 | 540538 | ● | ● | ● | ● | 1 | 送り合キャリアオイルウエックフェルト | FEED BAR CARRIER OIL WICK (FELT) |
| 27 | 376268 | ● | ● | ● | ● | 1 | 上下送り翼リンク | FEED BAR CONNECTING LINK |
| 28 | 504103 | ● | ● | ● | ● | 2 | 上下送り翼リンク止メネジ | FEED BAR CONNECTING LINK CAP SCREW |
| 29 | 545808 | ● | ● | ● | ● | 1 | 上下送り翼(前)(蓋) | FEED LIFTING ROCK SHAFT CRANK (FRONT) COMP. |
| 30 | 545043 | ● | ● | ● | ● | 1 | 上下送り翼(前)締メネジ | FEED LIFTING ROCK SHAFT CRANK (FRONT) CLAMPING SCREW |
| 31 | 543871-012 | ● | ● | ● | ● | 1 | 上下送り翼Oリング | FEED LIFTING ROCK SHAFT O-RING |

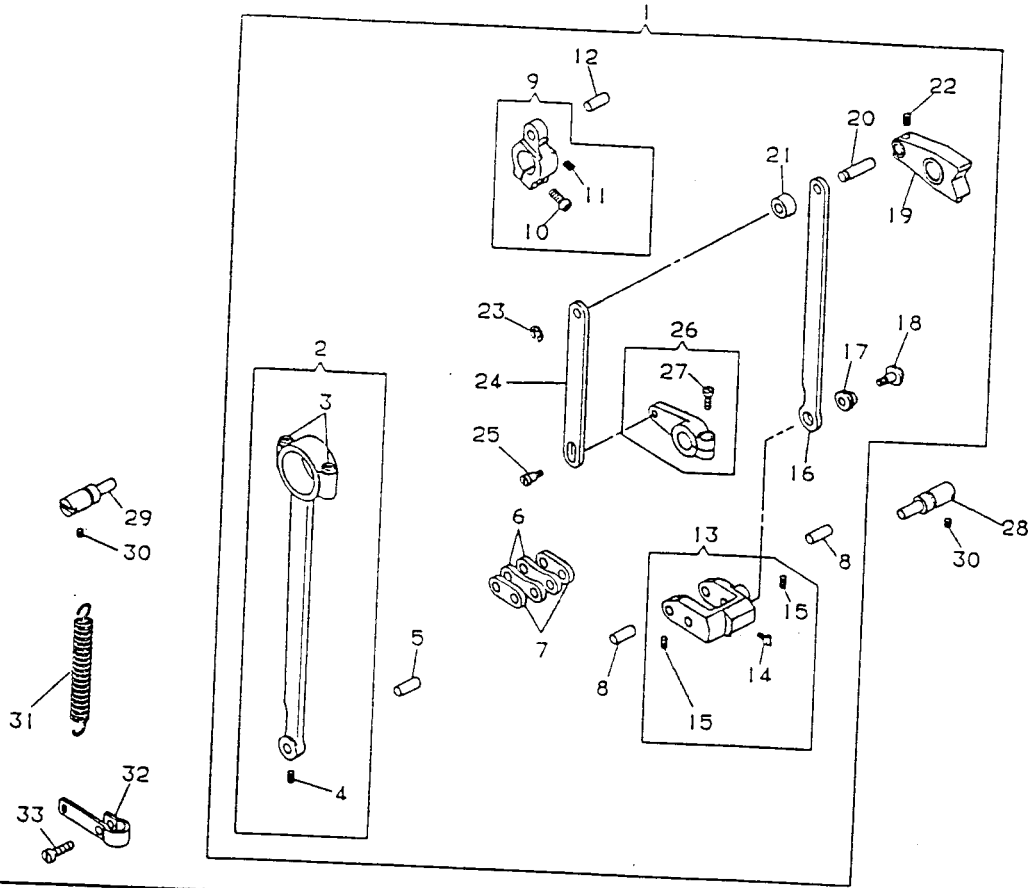
FEED MECHANISM 2

送り 2



| NO. | 部品番号 PART NO. | D200A | D210A | D300A | D308A | 数量 QTY. | 名称 | DESCRIPTION |
|-----|------------------|-------|-------|-------|-------|------------|-------------------|--|
| 1 | 376434 | ● | ● | ● | ● | 1 | 送りカム (組) | FEED AND FEED LIFTING ECCENTRIC COMP. |
| 2 | 545313 | ● | ● | ● | ● | 2 | 送りカム止めネジ | FEED AND FEED LIFTING ECCENTRIC SET SCREW |
| 3 | 543866-022 | ● | ● | ● | ● | 1 | 送りカムリング | FEED AND FEED LIFTING ECCENTRIC RING |
| 4 | 550249 | ● | ● | ● | ● | 1 | 水平送りカム (組) | FEED ECCENTRIC COMP. |
| 5 | 545313 | ● | ● | ● | ● | 2 | 水平送りカム止めネジ | FEED ECCENTRIC SET SCREW |
| 6 | 543472 | ● | ● | ● | ● | 1 | 上下送りカム (組) | FEED LIFTING ECCENTRIC COMP. |
| 7 | 504048 | ● | ● | ● | ● | 2 | 上下送りカム止めネジ | FEED LIFTING ECCENTRIC SET SCREW |
| 8 | 550101 | ● | ● | ● | ● | 1 | 送り調節ネジ (組) | FEED REGULATOR HINGE STUD COMP. |
| 9 | 543871-010 | ● | ● | ● | ● | 1 | 送り調節ネジ止めネジ | FEED REGULATOR HINGE STUD SET SCREW |
| 10 | 545313 | ● | ● | ● | ● | 1 | 送り調節ネジ止めネジ | FEED REGULATOR HINGE STUD SET SCREW |
| 11 | 368120 | ● | ● | ● | ● | 1 | 送り調節ネジロックワッシャー | FEED REGULATOR HINGE STUD COLLAR COMP. |
| 12 | 545181 | ● | ● | ● | ● | 1 | 送り調節ネジロックワッシャー | FEED REGULATOR HINGE STUD COLLAR SET SCREW |
| 13 | 550103 | ● | ● | ● | ● | 1 | 送り調節ネジ (組) | FEED REGULATING STUD COMP. |
| 14 | 543871-007 | ● | ● | ● | ● | 1 | 送り調節ネジリング | FEED REGULATING STUD O-RING |
| 15 | 550108-451 | ● | ● | ● | ● | 1 | 送り調節ダイヤル | FEED REGULATING DIAL |
| | 550109-451 | ● | ● | ● | ● | 1 | 送り調節ダイヤル | FEED REGULATING DIAL |
| | 550257-383 | ● | ● | ● | ● | 1 | 送り調節ダイヤル | FEED REGULATING DIAL |
| 16 | 544218-053 | ● | ● | ● | ● | 1 | 送り調節ダイヤル止めネジ | FEED REGULATING DIAL CAP SCREW |
| 17 | 543803-004 | ● | ● | ● | ● | 1 | 送り調節ダイヤル止めネジワッシャー | FEED REGULATING DIAL CAP SCREW WASHER |
| 18 | 545820 | ● | ● | ● | ● | 1 | 送り調節ダイヤルロックピン | FEED REGULATING DIAL LOCK PIN |
| 19 | 368114 | ● | ● | ● | ● | 1 | 送り調節ダイヤルロックピン | FEED REGULATING DIAL LOCK PIN |
| 20 | 550110-451 | ● | ● | ● | ● | 1 | 送り逆イレバー (組) | FEED REVERSE LEVER ASS'Y |
| 21 | 550112 | ● | ● | ● | ● | 1 | 送り逆イレバー (組) | FEED REVERSE LEVER COMP. |
| 22 | 550115-451 | ● | ● | ● | ● | 1 | 送り逆イレバーカバー | FEED REVERSE LEVER COVER |
| 23 | 544212-053 | ● | ● | ● | ● | 2 | 送り逆イレバーカバー止めネジ | FEED REVERSE LEVER COVER SET SCREW |
| 24 | 543871-006 | ● | ● | ● | ● | 1 | 送り逆イレバー軸リング | FEED REVERSE LEVER HINGE STUD O-RING |
| 25 | 368129 | ● | ● | ● | ● | 1 | 送り逆イレバー軸メタル | FEED REVERSE LEVER HINGE STUD FLANGED BUSHING |
| 26 | 540633 | ● | ● | ● | ● | 1 | 送り逆イレバー軸カラー (組) | FEED REVERSE LEVER HINGE STUD COLLAR COMP. |
| 27 | 504134 | ● | ● | ● | ● | 1 | 送り逆イレバー軸カラー止めネジ | FEED REVERSE LEVER HINGE STUD COLLAR SET SCREW |
| 28 | 368130 | ● | ● | ● | ● | 1 | 送り逆イレバーバネ | FEED REVERSE LEVER SPRING |
| 29 | 540800 | ● | ● | ● | ● | 1 | 送り逆イレバーバネ | FEED REVERSE LEVER STOPPER |
| 30 | 549164-002 | ● | ● | ● | ● | 1 | 送り逆イレバーバネ止めネジ | FEED REVERSE LEVER STOPPER SCREW |

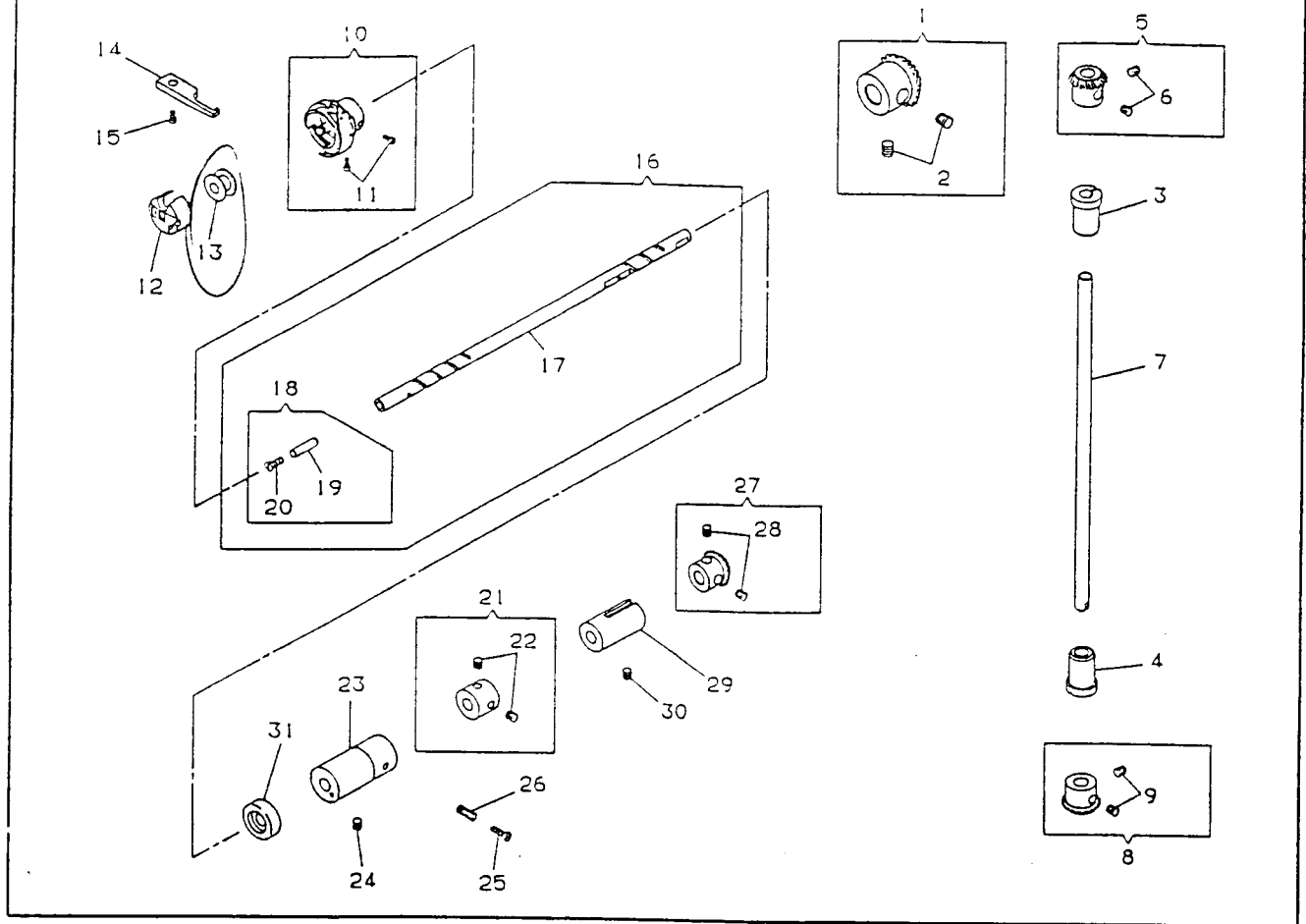
FEED MECHANISM 3
送り 3



| NO. | 部品番号 PART NO. | D000A | D010A | D020A | D030A | 数量 QTY. | 名称 | DESCRIPTION |
|-----|------------------|-------|-------|-------|-------|------------|------------------------------------|---|
| 1 | 550089 | . | . | . | . | 1 | 水平送りクランクロッド、送り調節器、送り調節器、逆送りレバー具(組) | FEED REGULATOR AND FEED SHAFT CRANK CONNECTING ROD COMP. |
| 2 | 540648 | . | . | . | . | 1 | 水平送りクランクロッド、送り調節器、送り調節器、逆送りレバー具(組) | FEED REGULATOR AND FEED SHAFT CRANK CONNECTING ROD COMP. |
| 3 | 545059 | . | . | . | . | 1 | 水平送りクランクロッド(組) | FEED ROCK SHAFT CRANK CONNECTING ROD COMP. |
| 4 | 545181 | . | . | . | . | 2 | 水平送りクランクロッド蓋端メネジ | FEED ROCK SHAFT CRANK CONNECTING ROD COMP. |
| 5 | 540649 | . | . | . | . | 1 | 送り調節器リンク軸止メネジ | FEED ROCK SHAFT CRANK CONNECTING ROD CAP SCREW |
| 6 | 540655 | . | . | . | . | 1 | 送り調節器リンク軸 | FEED ROCK SHAFT CRANK CONNECTING ROD PIN SET SCREW |
| 7 | 540656 | . | . | . | . | 2 | 送り調節器リンク(大) | FEED ROCK SHAFT CRANK CONNECTING ROD COMP. |
| 8 | 376239 | . | . | . | . | 2 | 送り調節器リンク(小) | FEED ROCK SHAFT DRIVING LINK (LARGE) |
| 9 | 540644 | . | . | . | . | 2 | 送り調節器ピン | FEED ROCK SHAFT DRIVING LINK (SMALL) |
| 10 | 549183 | . | . | . | . | 1 | 水平送り具(組) | FEED ROCK SHAFT DRIVING LINK (SMALL) PIN |
| 11 | 545181 | . | . | . | . | 1 | 水平送り具端メネジ | FEED ROCK SHAFT CRANK COMP. |
| 12 | 540650 | . | . | . | . | 1 | 水平送り具軸止メネジ | FEED ROCK SHAFT CRANK COMP. |
| 13 | 550092 | . | . | . | . | 1 | 水平送り具軸 | FEED ROCK SHAFT CRANK CLAMPING SCREW |
| 14 | 544138 | . | . | . | . | 1 | 送り調節器(組) | FEED ROCK SHAFT CRANK PIN SET SCREW |
| 15 | 376240 | . | . | . | . | 1 | 送り調節器ハ本蓋メネジ | FEED ROCK SHAFT CRANK PIN |
| 16 | 550094 | . | . | . | . | 2 | 送り調節器ピン止メネジ | FEED ROCK SHAFT DRIVING FRAME COMP. |
| 17 | 368103 | . | . | . | . | 1 | 送り調節器リンク | FEED ROCK SHAFT DRIVING FRAME COMP. |
| 18 | 368105 | . | . | . | . | 1 | 送り調節器偏心カテー | FEED ROCK SHAFT DRIVING FRAME SPRING EYELET SCREW |
| 19 | 550095 | . | . | . | . | 1 | 送り調節器偏心カテーネジ | FEED ROCK SHAFT DRIVING LINK (SMALL) PIN SET SCREW |
| 20 | 550096 | . | . | . | . | 1 | 送り調節器 | FEED REVERSE LINK |
| 21 | 550097 | . | . | . | . | 1 | 送り調節器ピン | FEED ROCK SHAFT DRIVING FRAME ECCENTRIC COLLAR |
| 22 | 544204-002 | . | . | . | . | 1 | 送り調節器ピンカテー | FEED ROCK SHAFT DRIVING FRAME ECCENTRIC COLLAR SCREW |
| 23 | 543801-006 | . | . | . | . | 1 | 送り調節器ピン止メネジ | FEED REGULATOR |
| 24 | 550098 | . | . | . | . | 1 | 送り調節器ピン止メ軸 | FEED REGULATOR |
| 25 | 549288 | . | . | . | . | 1 | 逆送りレバーリンク | FEED REGULATOR |
| 26 | 368111 | . | . | . | . | 1 | 逆送りレバーリンク蓋メネジ | FEED REGULATOR PIN |
| 27 | 414737 | . | . | . | . | 1 | 逆送りレバー具(組) | FEED REGULATOR PIN COLLAR |
| 28 | 540653 | . | . | . | . | 1 | 逆送りレバー具端メネジ | FEED REGULATOR PIN SET SCREW |
| 29 | 410746 | . | . | . | . | 1 | 送り調節器実支軸(後) | FEED REGULATOR PIN SNAP RING |
| 30 | 504029 | . | . | . | . | 2 | 送り調節器実支軸(前) | FEED REVERSE LEVER HINGE STUD CRANK CONNECTING LINK |
| 31 | 550256 | . | . | . | . | 1 | 送り調節器実支軸止メネジ | FEED REVERSE LEVER HINGE STUD CRANK CONNECTING LINK SCREW |
| 32 | 550100 | . | . | . | . | 1 | 送り調節器ハ本 | FEED REVERSE LEVER HINGE STUD CRANK COMP. |
| 33 | 544213-054 | . | . | . | . | 1 | 送り調節器ハ本実支軸 | FEED REVERSE LEVER HINGE STUD CRANK CLAMPING SCREW |
| | | | | | | 1 | 送り調節器ハ本実支軸メネジ | FEED ROCK SHAFT DRIVING FRAME HINGE PIN (BACK) |
| | | | | | | 1 | 送り調節器ハ本実支軸メネジ | FEED ROCK SHAFT DRIVING FRAME HINGE PIN (FRONT) |
| | | | | | | 1 | 送り調節器ハ本実支軸メネジ | FEED ROCK SHAFT DRIVING FRAME HINGE PIN SET SCREW |
| | | | | | | 1 | 送り調節器ハ本実支軸メネジ | FEED ROCK SHAFT DRIVING FRAME SPRING |
| | | | | | | 1 | 送り調節器ハ本実支軸メネジ | FEED ROCK SHAFT DRIVING FRAME SPRING RETAINER |
| | | | | | | 1 | 送り調節器ハ本実支軸メネジ | FEED ROCK SHAFT DRIVING FRAME SPRING RETAINER SCREW |

UPRIGHT SHAFT AND ROTATING HOOK SHAFT

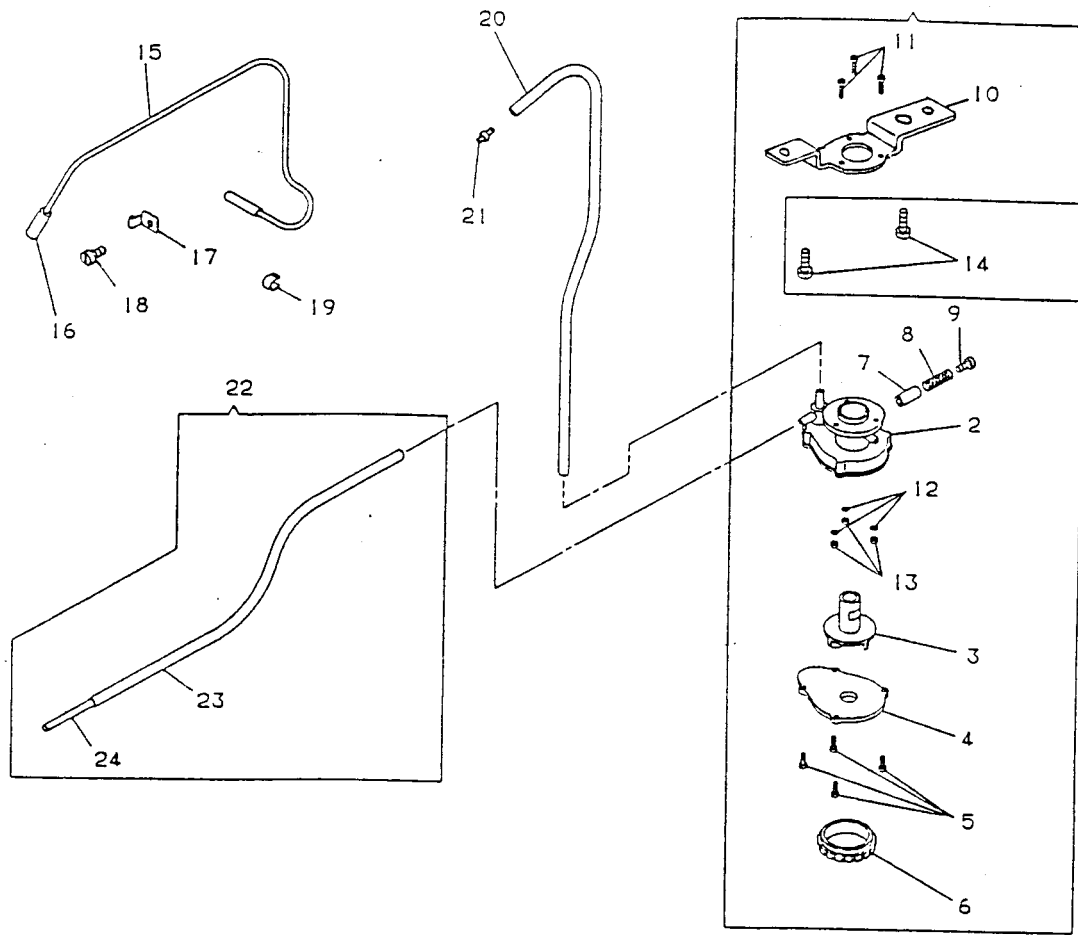
堅軸, 下軸



| NO. | 部品番号 PART NO. | D200A | D210A | D300A | D308A | 数量 QTY. | 名称 | DESCRIPTION |
|-----|------------------|-------|-------|-------|-------|------------|----------------|--|
| 1 | 545757 | ● | ● | ● | ● | 1 | 上軸歯車(直) | ARM SHAFT (HORIZONTAL) BEVEL GEAR COMP. |
| 2 | 504066 | ● | ● | ● | ● | 2 | 上軸歯車止メネジ | ARM SHAFT (HORIZONTAL) BEVEL GEAR SET SCREW |
| 3 | 545767 | ● | ● | ● | ● | 1 | 堅軸メタル(上) | ARM SHAFT (UPRIGHT) BUSHING (UPPER) |
| 4 | 545766 | ● | ● | ● | ● | 1 | 堅軸メタル(下) | ARM SHAFT (UPRIGHT) BUSHING (LOWER) |
| 5 | 545765 | ● | ● | ● | ● | 1 | 堅軸歯車(上)(直) | ARM SHAFT (UPRIGHT) BEVEL GEAR (UPPER) COMP. |
| 6 | 504101 | ● | ● | ● | ● | 2 | 堅軸歯車(上)止メネジ | ARM SHAFT (UPRIGHT) BEVEL GEAR (UPPER) SET SCREW |
| 7 | 550118 | ● | ● | ● | ● | 1 | 堅軸 | ARM SHAFT (UPRIGHT) |
| 8 | 545764 | ● | ● | ● | ● | 1 | 堅軸歯車(下)(直) | ARM SHAFT (UPRIGHT) BEVEL GEAR (LOWER) COMP. |
| 9 | 504101 | ● | ● | ● | ● | 2 | 堅軸歯車(下)止メネジ | ARM SHAFT (UPRIGHT) BEVEL GEAR (LOWER) SET SCREW |
| 10 | 414126 | ● | ● | ● | ● | 1 | 外ガマ, 中ガマ(直) | ROTATING HOOK AND ROTATING HOOK BOBBIN CASE HOLDER COMP. |
| | 543381 | ● | ● | ● | ● | 1 | 外ガマ, 中ガマ(直) | ROTATING HOOK AND ROTATING HOOK BOBBIN CASE HOLDER COMP. |
| 11 | 544244 | ● | ● | ● | ● | 2 | 外ガマ止メネジ | ROTATING HOOK BOBBIN CASE HOLDER POSITION BRACKET |
| 12 | 544745 | ● | ● | ● | ● | 1 | ネピンケース(直) | ROTATING HOOK SCREW |
| 13 | 55623 | ● | ● | ● | ● | 1 | ネピン | ROTATING HOOK BOBBIN CASE COMP. |
| 14 | 545881 | ● | ● | ● | ● | 1 | 中ガマ止メ | ROTATING HOOK BOBBIN |
| 15 | 504084 | ● | ● | ● | ● | 1 | 中ガマ止メネジ | ROTATING HOOK BOBBIN CASE HOLDER POSITION BRACKET |
| 16 | 550119 | ● | ● | ● | ● | 1 | 下軸(直) | ROTATING HOOK BOBBIN CASE HOLDER POSITION BRACKET SCREW |
| 17 | 550120 | ● | ● | ● | ● | 1 | 下軸 | ROTATING HOOK SHAFT COMP. |
| 18 | 505648 | ● | ● | ● | ● | 1 | 下軸 | ROTATING HOOK SHAFT |
| 19 | 143042 | ● | ● | ● | ● | 1 | 下軸オイルフィルター(直) | ROTATING HOOK SHAFT OIL FILTER COMP. |
| 20 | 505647 | ● | ● | ● | ● | 1 | 下軸オイルフィルターウィック | ROTATING HOOK SHAFT OIL FILTER WICK (FELT) |
| 21 | 368386 | ● | ● | ● | ● | 1 | 下軸軸止メネジ | ROTATING HOOK SHAFT OIL FILTER WICK HOLDER |
| 22 | 504101 | ● | ● | ● | ● | 2 | 下軸カラー(直) | ROTATING HOOK SHAFT OIL RETAINING COLLAR COMP. |
| 23 | 550121 | ● | ● | ● | ● | 1 | 下軸メタル(前) | ROTATING HOOK SHAFT OIL RETAINING COLLAR SET SCREW |
| 24 | 504002 | ● | ● | ● | ● | 1 | 下軸メタル(前)止メネジ | ROTATING HOOK SHAFT BUSHING (FRONT) |
| 25 | 544246 | ● | ● | ● | ● | 1 | 流量調節ネジ | ROTATING HOOK SHAFT BUSHING (FRONT) SET SCREW |
| 26 | 544958 | ● | ● | ● | ● | 1 | 流量調節ネジスプリング | ROTATING HOOK OIL FLOW REGULATING THUMB SCREW |
| 27 | 545887 | ● | ● | ● | ● | 1 | 下軸歯車(直) | ROTATING HOOK OIL FLOW REGULATING THUMB SCREW SPRING |
| 28 | 504101 | ● | ● | ● | ● | 2 | 下軸歯車止メネジ | ROTATING HOOK SHAFT BEVEL GEAR (LEFT HAND SPIRAL) |
| 29 | 550122 | ● | ● | ● | ● | 1 | 下軸メタル(後) | ROTATING HOOK SHAFT BEVEL GEAR SET SCREW |
| 30 | 504002 | ● | ● | ● | ● | 1 | 下軸メタル(後)止メネジ | ROTATING HOOK SHAFT BUSHING (BACK) |
| 31 | 550123 | ● | ● | ● | ● | 1 | 下軸オイルシール | ROTATING HOOK SHAFT BUSHING (BACK) SET SCREW |
| | | | | | | | | ROTATING HOOK SHAFT OIL SEAL |

LUBRICATING MECHANISM

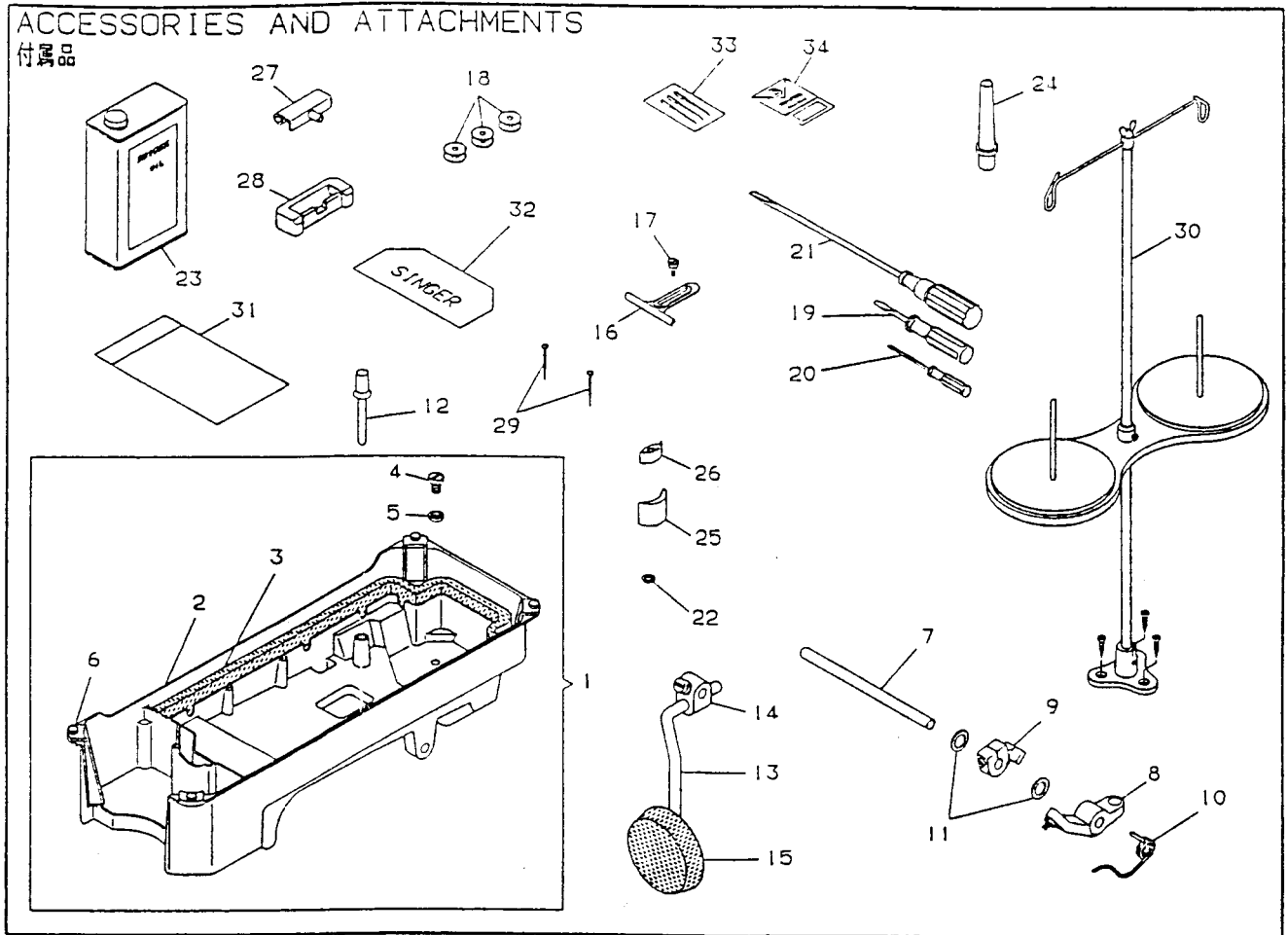
給油, 選流



| NO. | 部品番号 PART NO. | | | 数量 QTY. | 名称 | DESCRIPTION |
|-----|------------------|-------|-------|------------|--------------------|---|
| | 0200A | 0210A | 0300A | | | |
| 1 | 550124 | . | . | 1 | オイルポンプ (組) | OIL PUMP (CENTRIFUGAL) COMP. |
| 2 | 544968 | . | . | 1 | オイルポンプ (体) | OIL PUMP (CENTRIFUGAL) |
| 3 | 544969 | . | . | 1 | インペラー | OIL PUMP (CENTRIFUGAL) IMPELLER |
| 4 | 544970 | . | . | 1 | オイルポンプ蓋 | OIL PUMP (CENTRIFUGAL) COVER |
| 5 | 544248 | . | . | 4 | オイルポンプ蓋止めネジ | OIL PUMP (CENTRIFUGAL) COVER SCREW |
| 6 | 544971 | . | . | 1 | オイルポンプスクリーン | OIL PUMP (CENTRIFUGAL) SCREEN |
| 7 | 544972 | . | . | 1 | 選流ピストン | OIL REMOVING PISTON |
| 8 | 410710 | . | . | 1 | 選流ピストンバネ | OIL REMOVING PISTON SPRING |
| 9 | 414716 | . | . | 1 | 選流ピストンバネ押エネジ (組) | OIL REMOVING PISTON SPRING SCREW COMP. |
| 10 | 550125 | . | . | 1 | オイルポンプブラケット | OIL PUMP (CENTRIFUGAL) BRACKET |
| 11 | 544211-004 | . | . | 3 | オイルポンプブラケット止めネジ | OIL PUMP (CENTRIFUGAL) BRACKET SCREW |
| 12 | 543814-001 | . | . | 3 | オイルポンプブラケット止めネジ蓋金 | OIL PUMP (CENTRIFUGAL) BRACKET SCREW WASHER |
| 13 | 541164-001 | . | . | 3 | オイルポンプブラケット止めネジナット | OIL PUMP (CENTRIFUGAL) BRACKET SCREW NUT |
| 14 | 544213-001 | . | . | 2 | オイルポンプ (組) 止めネジ | OIL PUMP (CENTRIFUGAL) SCREW |
| 15 | 368137 | . | . | 1 | 選流チューブ (組) | OIL REMOVING TUBE COMP. |
| 16 | 16380 | . | . | 1 | 選流チューブスクリーン | OIL REMOVING LINT SCREEN |
| 17 | 543371 | . | . | 1 | 選流チューブ実工 | OIL REMOVING TUBE RETAINING CLAMP |
| 18 | 544212-001 | . | . | 1 | 選流チューブ実工止めネジ | OIL REMOVING TUBE RETAINING CLAMP SCREW |
| 19 | 543334 | . | . | 1 | 選流チューブ止めバネ | OIL TUBE CLAMP |
| 20 | 550128 | . | . | 1 | オイルパイプ (上側用) | OIL TUBE (ARM SHAFT) |
| 21 | 544964 | . | . | 1 | オイルパイプ (上側用) 継手 | OIL TUBE (ARM SHAFT) JOINT |
| 22 | 414085 | . | . | 1 | オイルチューブ (下側用) (組) | OIL TUBE (ROTATING HOOK SHAFT) COMP. |
| 23 | 410773 | . | . | 1 | オイルチューブ (下側用) | OIL TUBE (ROTATING HOOK SHAFT) |
| 24 | 543332 | . | . | 1 | オイルチューブ (下側用) 継手 | OIL TUBE (ROTATING HOOK SHAFT) JOINT |

ACCESSORIES AND ATTACHMENTS

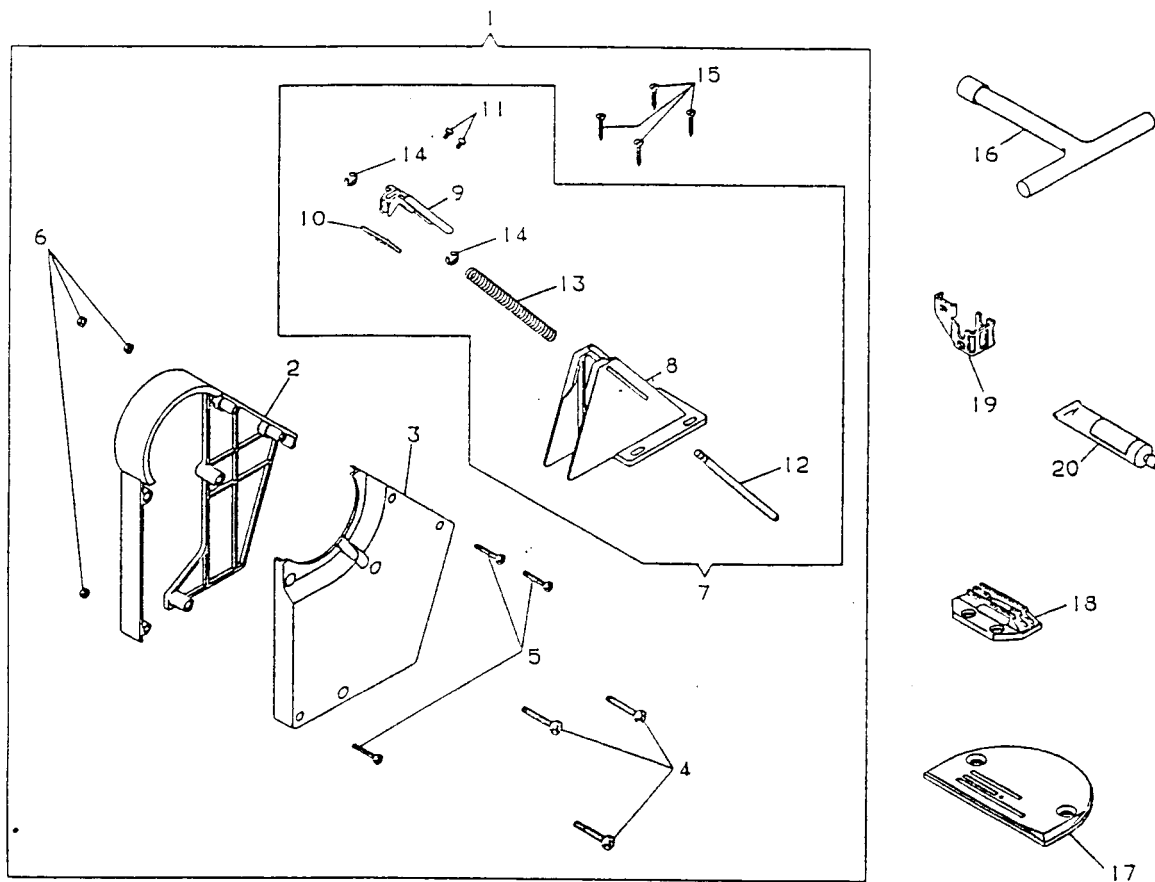
付属品



| NO. | 部品番号 PART NO. | D200A D240A D300A D308A | | | R.R. QTY. | 名称 | DESCRIPTION |
|-----|------------------|-------------------------|---|---|--------------|---------------------------|--|
| | | | | | | | |
| 1 | 550157 | ● | ● | ● | 1 | 機受け(蓋) | MACHINE BASE AND OIL RESERVOIR COMP. |
| 2 | 550158 | ● | ● | ● | 1 | 機受け | MACHINE BASE AND OIL RESERVOIR |
| 3 | 544978 | ● | ● | ● | 1 | 機受けガスケット | MACHINE BASE AND OIL RESERVOIR GASKET |
| 4 | 545036 | ● | ● | ● | 1 | 機受けドレーンネジ | MACHINE BASE AND OIL RESERVOIR OIL DRAIN PLUG SCREW |
| 5 | 545754 | ● | ● | ● | 1 | 機受けドレーンネジパッキン | MACHINE BASE AND OIL RESERVOIR OIL DRAIN PLUG SCREW GASKET |
| 6 | 368377 | ● | ● | ● | 4 | ミシン機受けクッション | MACHINE REST (RUBBER) |
| 7 | 368267 | ● | ● | ● | 1 | 機当線 | ROCK SHAFT |
| 8 | 545915 | ● | ● | ● | 1 | 機当線(蓋) | ROCK SHAFT CRANK COMP. |
| 9 | 545922 | ● | ● | ● | 1 | 機当線止めメ(蓋) | ROCK SHAFT STOP DOG COMP. |
| 10 | 545921 | ● | ● | ● | 1 | 機当線バネ | ROCK SHAFT SPRING |
| 11 | 543823-001 | ● | ● | ● | 2 | スラストワッシャー | THRUST WASHER |
| 12 | 550159 | ● | ● | ● | 1 | 膝上げプランジャー | BELL CRANK PLUNGER COMP. |
| 13 | 544895 | ● | ● | ● | 1 | 膝当線 | ROCK SHAFT KNEE ARM |
| 14 | 376436 | ● | ● | ● | 1 | 膝当線実エ(蓋) | ROCK SHAFT KNEE ARM HUB COMP. |
| 15 | 414115 | ● | ● | ● | 1 | 膝当(蓋) | ROCK SHAFT KNEE ARM PLATE COMP. |
| 16 | 541515 | ● | ● | ● | 1 | クロスガイド | CLOTH GUIDE |
| 17 | 504030 | ● | ● | ● | 1 | クロスガイド止めネジ | CLOTH GUIDE SCREW |
| 18 | 55623 | ● | ● | ● | 3 | ネピン | ROTATING HOOK BOBBIN |
| 19 | 368317 | ● | ● | ● | 1 | ドライバー(大) | SCREW DRIVER (LARGE) |
| 20 | 541514 | ● | ● | ● | 1 | ドライバー(小) | SCREW DRIVER (SMALL) |
| 21 | 548701 | ● | ● | ● | 1 | ドライバー(長) | SCREW DRIVER (LONG) |
| 22 | 545754 | ● | ● | ● | 1 | 機受けドレーンネジパッキン | MACHINE BASE AND OIL RESERVOIR OIL DRAIN PLUG SCREW GASKET |
| 23 | 410154 | ● | ● | ● | 1 | 油カン(C型オイル750cc) | OIL CAN (750cc. FILLED WITH SINGER TYPE "C" OIL) |
| 24 | 410186 | ● | ● | ● | 1 | レストピン | MACHINE REST PIN |
| 25 | 540520 | ● | ● | ● | 2 | 機受けクッション(大)(前向き)(箱内) | MACHINE BASE AND OIL RESERVOIR CUSHION (FRONT) (EXP.) |
| 26 | 368379 | ● | ● | ● | 2 | 機受けクッション(大)(前向き)(箱内) | MACHINE BASE AND OIL RESERVOIR CUSHION (FRONT) (DOM.) |
| 27 | 540521 | ● | ● | ● | 2 | 機受けクッション(小)(前向き)(箱内) | MACHINE BASE AND OIL RESERVOIR CUSHION (BACK) (EXP.) |
| 28 | 368380 | ● | ● | ● | 2 | 機受けクッション(小)(前向き)(箱内) | MACHINE BASE AND OIL RESERVOIR CUSHION (BACK) (DOM.) |
| 29 | 540522 | ● | ● | ● | 2 | ミシンヒンジ | MACHINE HINGE CONNECTION |
| 30 | 540523 | ● | ● | ● | 2 | ミシンヒンジ受け(箱内) | MACHINE HINGE CONNECTION CUSHION (EXP.) |
| 31 | 368381 | ● | ● | ● | 2 | ミシンヒンジ受け(箱内) | MACHINE HINGE CONNECTION CUSHION (DOM.) |
| 32 | 546920 | ● | ● | ● | 1 | 2本糸受合(蓋) | MACHINE HINGE CONNECTION CUSHION WIRE NAIL |
| 33 | 505656-007 | ● | ● | ● | 1 | 付属品袋 | THREAD UNWINDER (FOR TWO SPOOLS) COMP. |
| 34 | 414301 | ● | ● | ● | 1 | 機用部品袋 | ACCESSORY PACK |
| 35 | 414407 | ● | ● | ● | 1 | ミシンカバー(箱内) | MACHINE COVER |
| 36 | 376430 | ● | ● | ● | 1 | 針パック(N1955-01#14;3本入)(箱内) | NEEDLE PACK (N1955-01#14) (EXP.) |
| 37 | 376431 | ● | ● | ● | 1 | 針パック(N1955-01#16;3本入)(箱内) | NEEDLE PACK (N1955-01#16) (EXP.) |
| 38 | N15150-110 | ● | ● | ● | 3 | 針(16X95#10)(箱内) | NEEDLE (16X95#10) (DOM.) |
| 39 | N15150-114 | ● | ● | ● | 3 | 針(16X95#14)(箱内) | NEEDLE (16X95#14) (DOM.) |
| 40 | N19550-121 | ● | ● | ● | 3 | 針(135X65#21) | NEEDLE (135X65#16) (EXP.) |

PARTS AVAILABLE AT EXTRA CHARGE

別売品



| NO. | 部品番号 PART NO. | 0200A | 0210A | 0300A | 0300A | 数量 QTY. | 名称 | DESCRIPTION |
|-----|------------------|-------|-------|-------|-------|------------|--------------------|-----------------------------------|
| 1 | 550162-451 | ● | ● | ● | ● | 1 | ベルトガード(組) | BELT GUARD COMP. |
| 2 | 550163-451 | ● | ● | ● | ● | 1 | ベルトガード(左) | BELT GUARD (LEFT) |
| 3 | 550164-451 | ● | ● | ● | ● | 1 | ベルトガード(右) | BELT GUARD (RIGHT) |
| 4 | 544213-058 | ● | ● | ● | ● | 3 | ベルトガード止めネジ | BELT GUARD SCREW |
| 5 | 544212-007 | ● | ● | ● | ● | 3 | ベルトガード止めネジ | BELT GUARD SCREW |
| 6 | 541165-001 | ● | ● | ● | ● | 3 | ベルトガード止めネジナット | BELT GUARD SCREW NUT |
| 7 | 550165-451 | ● | ● | ● | ● | 1 | ベルトガード(下)(組) | BELT GUARD (LOWER) COMP. |
| 8 | 550166-451 | ● | ● | ● | ● | 1 | ベルトガード(下) | BELT GUARD (LOWER) |
| 9 | 550167-451 | ● | ● | ● | ● | 1 | ベルトガードスライド | BELT GUARD SLIDE |
| 10 | 550168 | ● | ● | ● | ● | 1 | ベルトガードスライドプレート | BELT GUARD SLIDE PLATE |
| 11 | 544211-053 | ● | ● | ● | ● | 2 | ベルトガードスライド止めネジ | BELT GUARD SLIDE SCREW |
| 12 | 550169 | ● | ● | ● | ● | 1 | ベルトガードスライドシャフト | BELT GUARD SLIDE SHAFT |
| 13 | 368279 | ● | ● | ● | ● | 1 | ベルトガードスライドバネ | BELT GUARD SLIDE SPRING |
| 14 | 408913 | ● | ● | ● | ● | 2 | ベルトガードスライドシャフト止めネジ | BELT GUARD SLIDE SHAFT STOP SCREW |
| 15 | 549398 | ● | ● | ● | ● | 4 | ベルトガード(下)木ネジ | BELT GUARD (LOWER) WOOD SCREW |
| 16 | 545945 | ● | ● | ● | ● | 1 | ボックススパナ | BOX WRENCH |
| 17 | 52032-452 | ● | ● | ● | ● | 1 | 鉄板 | THROAT PLATE |
| | 142060-452 | ● | ● | ● | ● | 1 | 鉄板 | THROAT PLATE |
| | 142061-452 | ● | ● | ● | ● | 1 | 鉄板 | THROAT PLATE |
| 18 | 149057 | ● | ● | ● | ● | 1 | 送り | FEED DOG |
| 19 | 376461 | ● | ● | ● | ● | 1 | ニードルガード | NEEDLE GUARD |
| 20 | 414155 | ● | ● | ● | ● | 1 | シール剤 | SEAL COMPOUND |

Part No.378889-102 (195)
Printed in Japan