

SINGER
111W150

INSTRUCTIONS FOR ORDERING

In ordering from this list, use ONLY the PART number in the FIRST column.

The number stamped on a Sewing Machine Part is the number of the Single Part only, except when the part includes Set Screws, Clamping Screws, Studs and Rollers Spun on, Small Wires riveted, or Parts soldered together, etc., which it is necessary to furnish in combination.

Every combination of parts sent out has its specific number which, although not stamped on Parts (except in above case), must be used when ordering the combination.

Each number always indicates the SAME PART in whatever list it appears, or for whatever Machine.

The letters after some of the numbers indicate the style of finish only, as follows:

- A. Hardened, Polished, Nickel Plated and Buffed.
- B. Polished, Nickel Plated and Buffed.
- C. Hardened only.
- D. Polished only.
- E. Soft, not polished.
- F. Hardened and Polished.
- H. Blued.
- J. Nickel Plated only.
- R. Marlized.
- X. Black Oxide.
- XC. Hardened and Black Oxide.
- Y. Blade Nickel only.

These letters MUST BE USED when they appear in the list and AFTER the number, as in the list.

In this series:

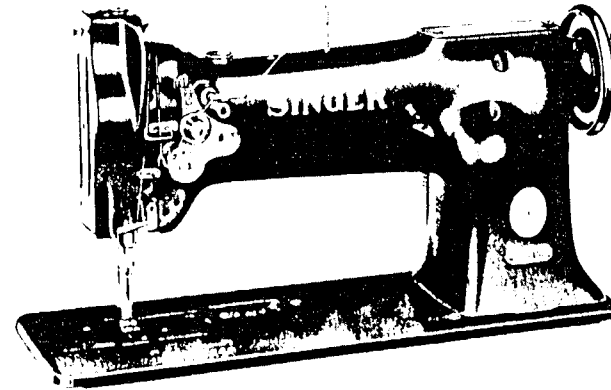
200001 to 201500 and 350001 to 351500 are Screw Numbers.
201501 to 201800 and 351501 to 351800 are Nut Numbers.
201801 to 202000 and 351801 to 352000 are Roller Numbers.
202001 to 350000 are Numbers of Machine Parts.

The figures in the second column refer only to the plate in which the illustration of the part is shown and are NOT TO BE USED in ordering.

Two or more numbers over a cut indicate that the difference between such parts is not visible in an illustration.

Parts marked with an asterisk (*) are furnished when repairs are made at the factory.

LIST OF PARTS COMPLETE FOR



MACHINE No. III w 150

HIGH SPEED. BALL BEARING.
COMPOUND FEED. KNEE LIFTER.
POSITIVE STITCH REGULATION.
For Clothing, Cloaks, Suits, Overalls, Duck Coats,
Oil Clothing, Shirts, etc.

No.	Plate	Name
*248401	-----	Arm with 202135
224002	16603	" Cap
200278H	16603	" " Screw
202248	16603	" " " Washer
204235	16613	" Position Pin (2)
200004E	16613	" Screw (3)
202005	16613	" " Washer (3)
248440	16603	" Shaft with 224392 and 350431E
249440	16603	" " Ball Bearing
*240054	16603	" " " " Collar with two 200378C
240055	16603	Arm Shaft Ball Bearing Collar 240054 with 249440
200378C	16603	Arm Shaft Ball Bearing Collar Set Screw
*240056	16603	" " " " Retaining Washer
*240053	16603	" " Bushing (back)

PARTS FOR MACHINE No. IIIw150

No.	Plate	Name
200335C	16603	Arm Shaft Bushing (back) Set Screw
240057	16603	Arm Shaft Bushing (back) (ball bearing) complete, Nos. 240053, 240055 and 240056
207080	16603	Arm Shaft Bushing (front) with 202244
202244	16603	" " " " Oil Packing (wick)
200502B	16603	" " " " " " Thumb Screw
200341C	16603	Arm Shaft Bushing (front) Set Screw
224103	16604	" " Connection Belt
224104	16604	" " " " Pulley with 200327C, 200602E and two 202253
200602E	16604	Arm Shaft Connection Belt Pulley Position Screw
200327C	16604	Arm Shaft Connection Belt Pulley Set Screw
202253	16604	Arm Shaft Connection Belt Pulley Spring Flange
224139	16607	Arm Shaft Connection Belt Timing Plate
200164B	16607	" " " " " " " " Screw (2)
224392	16603	Arm Shaft Oil Packing (wick)
350431E	16603	" " " " Stop Screw
248402	16603	Balance Wheel (disc) (belt groove 2-1/8 in. diam.) with 200328C and 200335C
350419H	16603	Balance Wheel Adjusting Screw
200328C	16603	" " Position Screw
200335C	16603	" " Set Screw
*240249	-----	Bed
255168	16607	" Oil Cup (4)
240003	16613	" Slide (back)
223811	16613	" " " Stop
223812	16613	" " " " Spring
240004	16613	" " (front)
203470	16605	Bobbin
*236691	-----	" Case
203648	16605	" " Latch
*202056	-----	" " Pin
203473	16605	" " Plunger
203474	16605	" " Spring
241674	16605	" " Oiling Felt
241675	16605	" " " Retainer
350405C	16605	" " " Screw
248404	16606	" " Opener
224005	16606	" " Lever with 201349C, 201542C and 203101
201349C	16606	Bobbin Case Opener Lever Driving Screw Stud
201542C	16606	Bobbin Case Opener Lever Driving Screw Stud Nut

PARTS FOR MACHINE No. IIIw150

No.	Plate	Name
203101	16606	Bobbin Case Opener Lever Driving Screw Stud Oil Packing (wick)
265088	16606	Bobbin Case Opener Lever Hinge Stud with 202277
202277	16606	Bobbin Case Opener Lever Hinge Stud Oil Packing (wick)
201246C	16606	Bobbin Case Opener Lever Hinge Stud Set Screw
248405	16606	Bobbin Case Opener Lever Link
200118D	16606	" " " Screw
236083	16605	" " Tension Spring
201016F	16605	" " " Regulating Screw
200594C	16605	" " " Screw
203216	16605	" " Washer (cloth)
236692	16605	Bobbin Case complete, Nos. 200594C, 201016F, 202056, 203216, 203473, 203474, 203648, 236083, 236691, 241674, 241675 and two 350405C
210911	16613	Face Plate
202135	16613	" " Position Pin
200473B	16613	" " Thumb Screw
240223	16608	Feed Bar
240224	16608	" " 240223 with 224052, 225837 and 350197E
350393C	16608	Feed Bar Hinge Screw (driving)
201518E	16608	" " " Nut
240077	16608	" Dog, 46 needle hole, for needle sizes 16 and 18
200106E	16608	Feed Dog Screw (2)
240225	16607	" Driving Connection with 240226 and 240227
201181C	16607	Feed Driving Connection Hinge Screw
201518E	16607	" " " " " Nut
240226	16607	" " " Oiling Felt
240227	16607	" " " " " Retaining Wire
240228	16608	Feed Driving Crank with 200019E
200019E	16608	" " " Pinch Screw
240229	16607	" " Eccentric
240230	16607	" " Adjusting Disc
248415	16607	" " " " Spring
248416	16607	" " " " " Collar with two 200382C
200382C	16607	Feed Driving Eccentric Adjusting Disc Spring Collar Set Screw
240231	16607	Feed Driving Eccentric Friction Gib
200369C	16607	" " " " " Ad-justing Screw
350101C	16607	Feed Driving Eccentric Friction Gib Ad-justing Screw Set Screw

No.	Plate	Name
240232	16607	Feed Driving Flange with 200333C, 200346C two each 200369C and 350101C
200333C	16607	Feed Driving Flange Position Screw
200346C	16607	" " " Set Screw
223650	16608	" " Rock Shaft
240233	16608	" " " " 223650 with 201518E, 240224 and 350393C
223652	16608	Feed Driving Rock Shaft Crank with 200019E
200019E	16608	Feed Driving Rock Shaft Crank Pinch Screw
202625	16608	" " " " Stop Collar with two 200383C (2)
200383C	16608	Feed Driving Rock Shaft Stop Collar Set Screw
248449	16604	Feed Indicating Disc with 200958C
200958C	16604	" " " Set Screw
224154	16607	" Lifting Cam with 201220C
224052	16608	" " " Fork with 200173D and 223655
350197E	16608	Feed Lifting Cam Fork Screw
225837	16608	" " " " Washer
223655	16608	" " " Oiling Felt
200173D	16608	" " " Screw
201220C	16607	" " " Set Screw
240235	16607	" Regulating Stud
240245	16607	" " " Retaining Spring
248425	16607	" " " Spring
*248444	16605	Hook (sewing)
248445	16605	" 248444 with 203525, 224025, two each 200590H and 201253F
248446	16605	Hook and Bobbin Case complete, Nos. 236692 and 248445
249365	16606	Hook Ball Bearing
350394E	16606	" " " Adjusting Screw
200403C	16606	" " " " " Set Screw
204479	16606	" " " " " " "
		Packing (brass)
248430	16606	Hook Ball Bearing Washer (felt)
248429	16606	" " " " (steel)
223867	16607	" Driving Gear (spiral) with 200362C and 201222C
201222C	16607	Hook Driving Gear Position Screw
200362C	16607	" " " Set Screw
248431	16606	" " Pinion (spiral) with two 200382C
200382C	16606	Hook Driving Pinion Set Screw
240250	16607	" " Shaft
249440	16607	" " " Ball Bearing

No.	Plate	Name
*240060	16607	Hook Driving Shaft Ball Bearing Collar with 200378C and 201220C
240061	16607	Hook Driving Shaft Ball Bearing Collar 240060 with 249440
201220C	16607	Hook Driving Shaft Ball Bearing Collar Position Screw
200378C	16607	Hook Driving Shaft Ball Bearing Collar Set Screw
*240056	16607	Hook Driving Shaft Ball Bearing Retaining Washer
*240058	16607	Hook Driving Shaft Bushing (back)
240063	16607	Hook Driving Shaft Bushing (back) (ball bearing) complete, Nos. 240056, 240058 and 240061
237529	16607	Hook Driving Shaft Bushing (front)
200327C	16607	" " " " Set Screw (2)
224112	16607	" " " Connection Belt Pulley with 202253 and two 201254C
201254C	16607	Hook Driving Shaft Connection Belt Pulley Set Screw
202253	16607	Hook Driving Shaft Connection Belt Pulley Spring Flange
203525	16605	Hook Gib
201253F	16605	" " Screw
248434	16606	" Saddle with 200009E and 201246C
240243	16607	" " Bearing
200335C	16607	" " " Set Screw
248435	16606	" " Oil Pad (felt)
200009E	16606	" " Pinch Screw
200006E	16606	" " Screw
225585	16606	" " " Washer
248439	16606	Hook Saddle complete, Nos. 200118D, 200403C, 204479, 224005, 248404, 248405, 248430, 248431, 248434, 248446, 265088, 350394E, two each 248429, 249365 and four 248435
224025	16605	Hook Washer
200590H	16605	" " Screw
240067	16613	Knee Lifter Connection Lever
200262H	16613	" " " " Hinge Screw
223684	16613	" " " " Lifting Rod with 202302
202302	16613	Knee Lifter Connection Lever Lifting Rod Cotter Pin
206628	16613	Knee Lifter Connection Lever Lifting Rod Spring
227227	16613	Knee Lifter Connection Lever Lifting Rod Spring Collar with 200113F
200113F	16613	Knee Lifter Connection Lever Lifting Rod Spring Collar Set Screw
240068	16613	Knee Lifter Lifting Lever

No.	Plate	Name
200262H	16613	Knee Lifter Lifting Lever Hinge Screw
240020	16610	Needle Bar with 200125F, 200175D and 240039
202552	16610	Needle Bar Connecting Link
264718	16610	" " " " Oil Guard
200161D	16610	" " " " " " Screw
202333	16610	" " " " Stud with 202254
202254	16610	Needle Bar Connecting Link Stud Oil Packing (wick)
200374C	16610	Needle Bar Connecting Link Stud Set Screw
200383C	16610	" " " " " " " "
223688	16610	" " " Stud with 200072C and 202330
202330	16610	Needle Bar Connecting Stud Oil Packing (wick)
200072C	16610	Needle Bar Connecting Stud Pinch Screw
202692	16610	" " Crank with 200335C, 200374C, 200383C, 200428C and 202333
240021	16610	Needle Bar Crank 202692 with 202399, 202400, 202552, 223688 and 240022
203172	16610	Needle Bar Crank Friction Washer
200428C	16610	" " " Position Screw
200335C	16610	" " " Set Screw
248436	16610	" " Rock Frame
248437	16610	" " " Hinge Stud
200347C	16610	" " " " " " Set Screw
202666	16610	" " " " Position Bracket
200098F	16610	" " " " " " Screw
223690	16609	" " " Rock Shaft
223691	16609	" " " " " " 223690 with 200387C and 210920
223692	16609	Needle Bar Rock Frame Rock Shaft Crank with 200029E
223693	16604	Needle Bar Rock Frame Rock Shaft Crank Connection with 202277
201407C	16604	Needle Bar Rock Frame Rock Shaft Crank Connection Hinge Screw (lower)
206758	16604	Needle Bar Rock Frame Rock Shaft Crank Connection Hinge Screw (lower) Oil Packing (wick)
201517E	16604	Needle Bar Rock Frame Rock Shaft Crank Connection Hinge Screw (lower) Nut
200833C	16604	Needle Bar Rock Frame Rock Shaft Crank Connection Hinge Screw (upper)
201522E	16604	Needle Bar Rock Frame Rock Shaft Crank Connection Hinge Screw (upper) Nut
202277	16604	Needle Bar Rock Frame Rock Shaft Crank Oil Packing (wick)

No.	Plate	Name
200029E	16609	Needle Bar Rock Frame Rock Shaft Crank Pinch Screw
202668	16609	Needle Bar Rock Frame Slide Block
210920	16609	" " " " " " 202668 with 201141C
201141C	16609	Needle Bar Rock Frame Slide Block Stud
200387C	16609	" " " " " " " " Set Screw
240039	16610	Needle Bar Thread Guide
200175D	16610	" " " " " Screw
200125F	16610	" Set Screw
208566	16611	Presser Bar with 200074F
207072	16611	" " Bushing (2)
200352C	16611	" " " Set Screw (2)
202671	16611	" " Lifter
200653C	16611	" " Hinge Screw
207963	16611	" " Lifting Releasing Lever Bracket
200975F	16611	Presser Bar Lifting Releasing Lever Bracket Guide Screw
206608	16611	Presser Bar Lifting Releasing Lever Bracket Spring
202337	16611	Presser Bar Position Guide
202338	16611	" " " " Lever with 200086F
200086F	16611	Presser Bar Position Guide Lever Pinch Screw
200352C	16611	Presser Bar Position Guide Set Screw
207965	16613	" " Spring (flat)
210949	16611	" " " Bracket with 200086C
200086C	16611	" " " Pinch Screw
200538C	16613	" " " Regulating Screw
200948F	16613	" " " Support Screw
202090	16611	" Foot Hinge Pin
203013	16611	" " Plate
200074F	16611	" " Screw
215911	16611	" " Shank
229882	16611	Presser Foot (hinged) complete, Nos. 202090, 203013 and 215911
240022	16610	Take-up Lever
202399	16610	" " Driving Stud with 202277
202277	16610	" " " " Oil Packing (wick)
202400	16610	Take-up Lever Hinge Stud with 202423
202423	16610	" " " " Oil Packing (wick)
200363C	16610	Take-up Lever Hinge Stud Set Screw
202401	16611	" " Oiling Felt
200132E	16611	" " " " Screw
240023	16612	Tension Bracket with 201224B and 236060

No.	Plate	Name
200159F	16612	Tension Bracket Screw
240446	16612	Tension Bracket complete, Nos. 200978H, 201199F, 204271, 223438, 223703, 223704, 223706, 237174, 240023, two each 200309E, 201572B and 244048
244048	16612	Tension Disc
236060	16612	" " Position Pin
223703	16612	" Release Lever
235072	16611	" " " Rod
200309E	16612	" " " Screw
223704	16612	" " Plunger
204271	16612	" " Washer
223438	16612	" Spring
201224B	16612	" Stud
201572B	16612	" Thumb Nut
223706	16612	Thread Controller Disc
200978H	16612	" " " Screw
237174	16612	" " Spring
242117	16612	" " " Stop
200132E	16612	" " " Screw
201199F	16612	" " Stud with 204925
200061C	16612	" " " Set Screw
201572B	16612	" " " Thumb Nut
204925	16612	" " " Washer
202412	16603	" Guide
224040	16612	" " "
210954	16612	" " (lower)
210955	16612	" " (upper)
200582H	16612	" " Screw (4)
240034	16612	" Retainer
200355H	16612	" " Set Screw
240027	16613	Throat Plate
691F	16613	" " Screw (2)

ACCESSORIES

No.	Plate	Name
200157B	16613	Attachment Screw
200861D	16613	Bed Slide (back) Locking Thumb Screw
203470	16605	Bobbin (5)
*225482	-----	" Case Screw Driver Blade
*225483	-----	" " " " Handle
225497	17620	Bobbin Case Screw Driver complete, Nos. 225482 and 225483
231337	16613	Cloth Guide
200861D	16613	" " Thumb Screw
135 x 7	16610	Needles, six, size 18
224121	16258	Drip Pan, 20 in. long, with four 1 in. wire nails
12361	16613	Machine Hinge Connection (2)
41400	17620	" Rest Pin (wood)
120342	17620	Oiler (copper plated) with 120343
120343	17620	" Spout, 3-1/2 in. long
*225484	-----	Screw Driver Blade
*225485	-----	" " Handle
225498	17620	Screw Driver complete (7-1/4 in. long), Nos. 225484 and 225485
225554	17620	Wrench (steel)

BOBBIN WINDER

(SWINGING AUTOMATIC, RIGHT HAND)

259428	16615	Brake (leather)
259429	16615	" Clamp
200113F	16615	" " Screw
225453	16615	Frame with 202277 and 225438
225454	16615	" Hinge Pin
202277	16615	" Oil Packing (wick)
225438	16615	" " Well Cap
225455	16615	" Spring
225456	16615	" " Plunger
225368	16615	Pulley with 200380C
200380C	16615	" Set Screw
225381	16615	Spindle
225444	16615	Stop Latch
200056E	16615	" " Screw
225458	16615	" " Thumb Lever
225459	16615	" " " " Hinge Stud

ACCESSORIES

No.	Plate	Name
225459	16615	Stop Latch Thumb Lever Joint Stud
202478	16615	" " Trip Lever
200299H	16615	" " " Hinge Screw
225461	16615	Tension Bracket with 201499B
200082D	16615	" " Screw
228026	16615	" " " Washer
2102	16615	" Disc
13710	16615	" Spring
201499B	16615	" Stud
201572B	16615	" " Thumb Mit
225462	16615	Bobbin Winder Tension Bracket complete, Nos.13710,201572B,225461 and two 2102
259430	16615	Bobbin Winder and Tension Bracket Base
259431	16615	Universal Bobbin Winder complete, Nos. 200056E,200082D,200113F,200299H,202478 225368,225381,225444,225453 to 225456, 225458,225462,228026,259428 to 259430 two each 225459 and wood screws 3/4 in. No.12,R.H.B.

KNEE LIFTER

228294	16258	Rock Lever with two 356C
228295	16258	" " Bracket with 356C and four wood screws 7/8 in.,No.12
228299	16258	Rock Lever Bracket 228295 with 228294 and 228297
228296	16258	Rock Lever Extension with 200529C
356C	16258	" " " Set Screw
228297	16258	" " Hinge Pin
356C	16258	" " " Set Screw
228284	16258	" " Knee Plate with 356C
202455	16258	" " " Arm
356C	16258	" " " Set Screw
356C	16258	" " " Set Screw
227728	16258	" " Rod with 227729
*227729	-----	" " " Cap
200529C	16258	" " " Set Screw
228298	16258	Knee Lifter complete, Nos.202455,227728, 228284,228296 and 228299

(Other Knee Lifter Parts are listed with parts of machine head.)

FEED DOGS

No.	Plate	Name
240079	16614	Feed Dog,40 needle hole,for needle size 20,for 240026
240076	16614	Feed Dog,50 needle hole,for needle sizes 14 and 15,for 240027
240077	16614	Feed Dog,46 needle hole,for needle sizes 16 and 18,for 240027
240078	16614	Feed Dog,40 needle hole,for needle size 20,for 240027

THROAT PLATES

240026	16614	Throat Plate,for 240079
240027	16614	" " " 240076 to 240078

FOOT LIFTER

PARTS REQUIRED FOR CHANGING FROM
KNEE LIFTER TO FOOT LIFTER

223733	16613	Lifting Lever Extension
200082D	16613	" " " Screw (2)
227561	16613	" " Spring
200835D	16613	" " " Stop Screw

FOOT LIFTER

227952	17620	Lever (left or right) with 227954
227678	17620	" Chain,48 in.long,with 202784
227954	17620	" " Hook (lower)
202784	17620	" " " (upper)
225016	17620	" Hinge Pin
227953	17620	" Stand with two wood screws 1 in.,No. 12
227955	17620	Foot Lifter Lever (left or right) com- plete, Nos.225016,227678,227952 and 227953

THREAD UNWINDER

No.	Plate	Name
225257	17900	Spool Rest (for two spools) (flat) with 201018C
150203	17900	Spool Rest Cushion (felt)
225388	17900	" " Rod
200383C	17900	" " " Set Screw
201018C	17900	" " " Set Screw
202490	17900	" Stand with 200383C
225391	17900	Thread Guide
201696J	17900	" " Lock Nut
225326	17900	" " Position Cup
225324	17900	" " Rod with 208E and 225322
208E	17900	" " " Screw
225322	17900	" " " Washer
225258	17900	Thread Unwinder (for two spools) (flat) complete, Nos. 201696J, 202490, 225257, 225324, 225326, 225388, two each 150203, 225391 and three wood screws 7/8 in., No. 12

MISCELLANEOUS PARTS

60913	17900	Spool Weight with 60914
60914	17900	" " Center Pin
225377	17900	" Wire (for small spools)
27739	17900	Thread Cone (wood)
225390	17900	" " Holder

NUMERICAL
LIST
OF PARTS

NUMERICAL LIST OF PARTS

No.	Plate	Name
208E	17900	Thread Unwinder Thread Guide Rod Screw, for 225324
356C	16258	Knee Lifter Rock Lever Extension Set Screw, for 228294
356C	16258	Knee Lifter Rock Lever Hinge Pin Set Screw, for 228295
356C	16258	Knee Lifter Rock Lever Knee Plate Arm Set Screw, for 228294
356C	16258	Knee Lifter Rock Lever Knee Plate Set Screw, for 228284
691F	16613	Throat Plate Screw
210E	16615	Bobbin Winder Tension Disc, for 225462
12361	16613	Machine Hinge Connection
13710	16615	Bobbin Winder Tension Spring, for 225462
27739	17900	Thread Cone (wood)
41400	17620	Machine Rest Pin (wood)
60913	17900	Spool Weight with 60914
60914	17900	" " Center Pin, for 60913
120342	17620	Oiler (copper plated) with 120343
120343	17620	" Spout, 3-1/2 in. long, for 120342
150203	17900	Thread Unwinder Spool Rest Cushion (felt) for 225258
200004E	16613	Arm Screw
200006E	16606	Hook Saddle Screw
200009E	16606	" " Pinch Screw, for 248434
200019E	16608	Feed Driving Crank Pinch Screw, for 240228
200019E	16608	" " Rock Shaft Crank Pinch Screw, for 223652
200029E	16609	Needle Bar Rock Frame Rock Shaft Crank Pinch Screw, for 223692
200056E	16615	Bobbin Winder Stop Latch Screw, for 259431
200061C	16612	Thread Controller Stud Set Screw
200072C	16610	Needle Bar Connecting Stud Pinch Screw, for 223688
200074F	16611	Presser Foot Screw, for 208566
200082D	16615	Bobbin Winder Tension Bracket Screw, for 259431
200082D	16613	Foot Lifter Lifting Lever Extension Screw
200086F	16611	Presser Bar Position Guide Lever Pinch Screw, for 202333
200086C	16611	Presser Bar Spring Bracket Pinch Screw, for 210949
200098F	16610	Needle Bar Rock Frame Position Bracket Screw

No.	Plate	Name
200106E	16608	Feed Dog Screw
200113F	16615	Bobbin Winder Brake Clamp Screw, for 259431
200113F	16613	Knee Lifter Connection Lever Lifting Rod Spring Collar Set Screw, for 227227
200118D	16606	Bobbin Case Opener Screw, for 248439
200125F	16610	Needle Set Screw, for 240020
200132E	16611	Take-up Lever Oiling Felt Screw
200132E	16612	Thread Controller Spring Stop Screw
200157B	16613	Attachment Screw
200159F	16612	Tension Bracket Screw
200161D	16610	Needle Bar Connecting Link Oil Guard Screw
200164B	16607	Arm Shaft Connection Belt Timing Plate Screw
200173D	16608	Feed Lifting Cam Oiling Felt Screw, for 224052
200175D	16610	Needle Bar Thread Guide Screw, for 240020
200262H	16613	Knee Lifter Connection Lever Hinge Screw
200262H	16613	" " Lifting Lever Hinge Screw
200278H	16603	Arm Cap Screw
200299H	16615	Bobbin Winder Stop Latch Trip Lever Hinge Screw, for 259431
200309E	16612	Tension Release Lever Screw, for 240446
200327C	16604	Arm Shaft Connection Belt Pulley Set Screw, for 224104
200327C	16607	Hook Driving Shaft Bushing Set Screw
200328C	16603	Balance Wheel Position Screw, for 248402
200333C	16607	Feed Driving Flange Position Screw, for 240232
200335C	16603	Arm Shaft Bushing (back) Set Screw
200335C	16603	Balance Wheel Set Screw, for 248402
200335C	16607	Hook Saddle Bearing Set Screw
200335C	16610	Needle Bar Crank Set Screw, for 202692
200341C	16603	Arm Shaft Bushing (front) Set Screw
200346C	16607	Feed Driving Flange Set Screw, for 240232
200347C	16610	Needle Bar Rock Frame Hinge Stud Set Screw
200352C	16611	Presser Bar Bushing Set Screw
200352C	16611	" " Position Guide Set Screw
200355H	16612	Thread Retainer Set Screw
200362C	16607	Hook Driving Gear Set Screw, for 223867
200363C	16610	Take-up Lever Hinge Stud Set Screw
200369C	16607	Feed Driving Eccentric Friction Oil Adjusting Screw, for 240232
200374C	16610	Needle Bar Connecting Link Stud Set Screw, for 202692
200378C	16603	Arm Shaft Ball Bearing Collar Set Screw, for 240054

No.	Plate	Name
200378C	16607	Hook Driving Shaft Ball Bearing Collar Set Screw, for 240060
200380C	16615	Bobbin Winder Pulley Set Screw, for 225368
200382C	16607	Feed Driving Eccentric Adjusting Disc Spring Collar Set Screw, for 248416
200382C	16606	Hook Driving Pinion Set Screw, for 248431
200383C	16608	Feed Driving Rock Shaft Stop Collar Set Screw, for 202625
200383C	16610	Needle Bar Connecting Link Stud Set Screw for 202692
200383C	17900	Thread Unwinder Spool Rest Rod Set Screw, for 202490
200387C	16609	Needle Bar Rock Frame Slide Block Stud Set Screw, for 223691
200403C	16606	Hook Ball Bearing Adjusting Screw Set Screw, for 248439
200428C	16610	Needle Bar Crank Position Screw, for 202692
200473B	16613	Face Plate Thumb Screw
200502B	16603	Arm Shaft Bushing (front) Oil Packing Thumb Screw
200529C	16258	Knee Lifter Rock Lever Rod Set Screw, for 228296
200538C	16613	Presser Bar Spring Regulating Screw
200582H	16612	Thread Guide Screw
200590H	16605	Hook Washer Screw, for 248445
200594C	16605	Bobbin Case Tension Spring Screw, for 236692
200602E	16604	Arm Shaft Connection Belt Pulley Position Screw, for 224104
200653C	16611	Presser Bar Lifter Hinge Screw
200833C	16604	Needle Bar Rock Frame Rock Shaft Crank Connection Hinge Screw (upper)
200835D	16613	Foot Lifter Lifting Lever Spring Stop Screw
200861D	16613	Bed Slide (back) Locking Thumb Screw
200861D	16613	Cloth Guide Thumb Screw
200948F	16613	Presser Bar Spring Support Screw
200958C	16604	Feed Indicating Disc Set Screw, for 248449
200975F	16611	Presser Bar Lifting Releasing Lever Bracket Guide Screw
200978H	16612	Thread Controller Disc Screw, for 240446
201016F	16605	Bobbin Case Tension Spring Regulating Screw, for 236692
201018C	17900	Thread Unwinder Spool Rest Set Screw, for 225257
201141C	16609	Needle Bar Rock Frame Slide Block Stud, for 210920
201181C	16607	Feed Driving Connection Hinge Screw

NUMERICAL LIST OF PARTS

No.	Plate	Name
201199F	16612	Thread Controller Stud with 204925, for 240446
201220C	16607	Feed Lifting Cam Set Screw, for 224154
201220C	16607	Hook Driving Shaft Ball Bearing Collar Position Screw, for 240060
201222C	16607	Hook Driving Gear Position Screw, for 223867
201224B	16612	Tension Stud, for 240023
201246C	16606	Bobbin Case Opener Lever Hinge Stud Set Screw, for 248434
201253F	16605	Hook Gib Screw, for 248445
201254C	16607	" Driving Shaft Connection Belt Pulley Set Screw, for 224112
201349C	16606	Bobbin Case Opener Lever Driving Screw Stud, for 224005
201407C	16604	Needle Bar Rock Frame Rock Shaft Crank Connection Hinge Screw (lower)
201499B	16615	Bobbin Winder Tension Stud, for 225461
201517E	16604	Needle Bar Rock Frame Rock Shaft Crank Connection Hinge Screw (lower) Nut
201518E	16608	Feed Bar Hinge Screw Nut, for 240233
201518E	16607	" Driving Connection Hinge Screw Nut
201522E	16604	Needle Bar Rock Frame Rock Shaft Crank Connection Hinge Screw (upper) Nut
201542C	16606	Bobbin Case Opener Lever Driving Screw Stud Nut, for 224005
201572B	16615	Bobbin Winder Tension Stud Thumb Nut, for 225462
201572B	16612	Tension Thumb Nut, for 240446
201572B	16612	Thread Controller Stud Thumb Nut, for 240446
201696J	17900	Thread Unwinder Thread Guide Lock Nut, for 225258
202005	16613	Arm Screw Washer
*202056	-----	Bobbin Case Latch Pin, for 236692
202090	16611	Presser Foot Hinge Pin, for 229882
202135	16613	Face Plate Position Pin, for 248401
202244	16603	Arm Shaft Bushing (front) Oil Packing (wick), for 207080
202248	16603	Arm Cap Screw Washer
202253	16604	" Shaft Connection Belt Pulley Spring Flange, for 224104
202253	16607	Hook Driving Shaft Connection Belt Pulley Spring Flange, for 224112
202254	16610	Needle Bar Connecting Link Stud Oil Packing (wick), for 202333
202277	16606	Bobbin Case Opener Lever Hinge Stud Oil Packing (wick), for 265088
202277	16615	Bobbin Winder Frame Oil Packing (wick), for 225453

NUMERICAL LIST OF PARTS

No.	Plate	Name
202277	16604	Needle Bar Rock Frame Rock Shaft Crank Oil Packing (wick), for 223693
202277	16610	Take-up Lever Driving Stud Oil Packing (wick), for 202399
202302	16613	Knee Lifter Connection Lever Lifting Rod Cotter Pin, for 223684
202330	16610	Needle Bar Connecting Stud Oil Packing (wick), for 223688
202333	16610	Needle Bar Connecting Link Stud with 202254, for 202692
202337	16611	Presser Bar Position Guide
202338	16611	" " " " Lever with 200086F
202399	16610	Take-up Lever Driving Stud with 202277, for 240021
202400	16610	Take-up Lever Hinge Stud with 202423, for 240021
202401	16611	Take-up Lever Oiling Felt
202412	16603	Thread Guide
202423	16610	Take-up Lever Hinge Stud Oil Packing (wick), for 202400
202455	16258	Knee Lifter Rock Lever Knee Plate Arm, for 228298
202478	16615	Bobbin Winder Stop Latch Trip Lever, for 259431
202490	17900	Thread Unwinder Spool Stand with 200383C, for 225258
202552	16610	Needle Bar Connecting Link, for 240021
202625	16608	Feed Driving Rock Shaft Stop Collar with two 200383C
202668	16610	Needle Bar Rock Frame Position Bracket
202668	16609	" " " " Slide Block, for 210920
202671	16611	Presser Bar Lifter
202692	16610	Needle Bar Crank with 200335C, 200374C, 200383C, 200428C and 202333, for 240021
202784	17620	Foot Lifter Lever Chain Hook (upper), for 227678
203013	16611	Presser Foot Plate, for 229882
203101	16608	Bobbin Case Opener Lever Driving Screw Stud Oil Packing (wick), for 224005
203172	16610	Needle Bar Crank Friction Washer
203216	16605	Bobbin Case Washer (cloth), for 236692
203470	16605	Bobbin
203473	16605	" Case Latch Plunger, for 236692
203474	16605	" " " Spring, for 236692
203525	16605	Hook Gib, for 248445
203648	16605	Bobbin Case Latch, for 236692
204235	16613	Arm Position Pin
204271	16612	Tension Release Washer, for 240446

NUMERICAL LIST OF PARTS

No.	Plate	Name
204479	16606	Hook Ball Bearing Adjusting Screw Set Screw Packing (brass), for 248439
204925	16612	Thread Controller Stud Washer, for 201199F
206608	16611	Presser Bar Lifting Releasing Lever Bracket Spring
206628	16613	Knee Lifter Connection Lever Lifting Rod Spring
206758	16604	Needle Bar Rock Frame Rock Shaft Crank Connection Hinge Screw (lower) Oil Packing (wick)
207072	16611	Presser Bar Bushing
207080	16603	Arm Shaft Bushing (front) with 202244
207963	16611	Presser Bar Lifting Releasing Lever Bracket
207965	16613	Presser Bar Spring (flat)
208566	16611	" " with 200074F
210911	16613	Face Plate
210920	16609	Needle Bar Rock Frame Slide Block 202668 with 201141C, for 223691
210949	16611	Presser Bar Spring Bracket with 200086C
210954	16612	Thread Guide (lower)
210955	16612	" " (upper)
215911	16611	Presser Foot Shank, for 229882
223438	16612	Tension Spring, for 240446
223650	16608	Feed Driving Rock Shaft, for 240233
223652	16608	" " " " Crank with 200019E
223655	16608	" Lifting Cam Oiling Felt, for 224052
223684	16613	Knee Lifter Connection Lever Lifting Rod with 202302
223688	16610	Needle Bar Connecting Stud with 200072C and 202330, for 240021
223690	16609	Needle Bar Rock Frame Rock Shaft, for 223691
223691	16609	Needle Bar Rock Frame Rock Shaft 223690 with 200387C and 210920
223692	16609	Needle Bar Rock Frame Rock Shaft Crank with 200029E
223693	16604	Needle Bar Rock Frame Rock Shaft Crank Connection with 202277
223703	16612	Tension Release Lever, for 240446
223704	16612	" " Plunger, for 240446
223706	16612	Thread Controller Disc, for 240446
223733	16613	Foot Lifter Lifting Lever Extension
223811	16613	Bed Slide (back) Stop
223812	16613	" " " " Spring
223867	16607	Hook Driving Gear (spiral) with 200362C and 201222C
224002	16603	Arm Cap

NUMERICAL LIST OF PARTS

No.	Plate	Name
224005	16606	Bobbin Case Opener Lever with 201349C, 201542C and 203101, for 248439
224025	16605	Hook Washer, for 248445
224040	16612	Thread Guide
224052	16608	Feed Lifting Cam Fork with 200173D and 223655, for 240224
224103	16604	Arm Shaft Connection Belt
224104	16604	" " " " Pulley with 200327C, 200602E and two 202253
224112	16607	Hook Driving Shaft Connection Belt Pulley with 202253 and two 201254C
224121	16258	Drip Pan, 20 in. long, with four 1 in. wire nails
224139	16607	Arm Shaft Connection Belt Timing Plate
224154	16607	Feed Lifting Cam with 201220C
224392	16603	Arm Shaft Oil Packing (wick), for 248440
225016	17620	Foot Lifter Lever Hinge Pin, for 227955
225257	17900	Thread Unwinder Spool Rest (for two spools) (flat) with 201018C, for 225258
225258	17900	Thread Unwinder (for two spools) (flat) complete, Nos. 201696J, 202490, 225257, 225324, 225326, 225388, two each 150203, 225391 and three wood screws 7/8 in. No. 12
225322	17900	Thread Unwinder Thread Guide Rod Washer, for 225324
225324	17900	Thread Unwinder Thread Guide Rod with 208E and 225322, for 225258
225326	17900	Thread Unwinder Thread Guide Position Cup, for 225258
225368	16615	Bobbin Winder Pulley with 200380C, for 259431
225377	17900	Spool Wire (for small spools)
225381	16615	Bobbin Winder Spindle, for 259431
225388	17900	Thread Unwinder Spool Rest Rod, for 225258
225390	17900	" Cone Holder
225391	17900	" Unwinder Thread Guide, for 225258
225438	16615	Bobbin Winder Frame Oil Well Cap, for 225453
225444	16615	Bobbin Winder Stop Latch, for 259431 Nos. 225453 to 225456, for 259431
225453	16615	Bobbin Winder Frame with 202277 and 225438
225454	16615	" " " Hinge Pin
225455	16615	" " " Spring
225456	16615	" " " Plunger
225458	16615	" " Stop Latch Thumb Lever, for 259431
225459	16615	Bobbin Winder Stop Latch Thumb Lever Hinge Stud, for 259431

No.	Plate	Name
225459	16615	Bobbin Winder Stop Latch Thumb Lever Joint Stud, for 259431
225461	16615	Bobbin Winder Tension Bracket with 201499B, for 225462
225462	16615	Bobbin Winder Tension Bracket complete, Nos. 13710, 201572B, 225461 and two 2102, for 259431
*225482	-----	Bobbin Case Screw Driver Blade, for 225497
*225483	-----	" " " " Handle, for 225497
*225484	-----	Screw Driver Blade, for 225498
*225485	-----	" " Handle, for 225498
225497	17620	Bobbin Case Screw Driver complete, Nos. 225482 and 225483
225498	17620	Screw Driver complete (7-1/4 in. long), Nos. 225484 and 225485
225554	17620	Wrench (steel)
225585	16606	Hook Saddle Screw Washer
225837	16608	Feed Lifting Cam Fork Screw Washer, for 240224
227227	16613	Knee Lifter Connection Lever Lifting Rod Spring Collar with 200113F
227561	16613	Foot Lifter Lifting Lever Spring
227678	17620	" " Lever Chain, 48 in. long, with 202784, for 227955
227728	16258	Knee Lifter Rock Lever Rod with 227729, for 228298
*227729	-----	Knee Lifter Rock Lever Rod Cap, for 227728
227952	17620	Foot Lifter Lever (left or right) with 227954, for 227955
227953	17620	Foot Lifter Lever Stand with two wood screws 1 in. No. 12, for 227955
227954	17620	Foot Lifter Lever Chain Hook (lower), for 227952
227955	17620	Foot Lifter Lever (left or right) com- plete, Nos. 225016, 227678, 227952 and 227953
228026	16615	Bobbin Winder Tension Bracket Screw Washer for 259431
228284	16258	Knee Lifter Rock Lever Knee Plate with 356C, for 228298
228294	16258	Knee Lifter Rock Lever with two 356C, for 228299
228295	16258	Knee Lifter Rock Lever Bracket with 356C, and four wood screws 7/8 in., No. 12, for 228299
228296	16258	Knee Lifter Rock Lever Extension with 200529C, for 228298
228297	16258	Knee Lifter Rock Lever Hinge Pin, for 228299

No.	Plate	Name
228298	16258	Knee Lifter complete, Nos. 202455, 227728, 228284, 228296 and 228299
228299	16258	Knee Lifter Rock Lever Bracket 228295 with 228294 and 228297, for 228298
229882	16611	Presser Foot (hinged) complete, Nos. 202090 203013 and 215911
231337	16613	Cloth Guide
235072	16611	Tension Release Lever Rod
236060	16612	" Disc Position Pin, for 240023
236083	16605	Bobbin Case Tension Spring, for 236692
*236691	-----	" " for 236692
236692	16605	Bobbin Case complete, Nos. 200594C, 201016F, 202056, 203216, 203473, 203474, 203648, 236083, 236691, 241674, 241675 and two 350405C, for 248446
237174	16612	Thread Controller Spring, for 240446
237629	16607	Hook Driving Shaft Bushing (front)
240003	16613	Bed Slide (back)
240004	16613	" " (front)
240020	16610	Needle Bar with 200125F, 200175D and 240039
240021	16610	Needle Bar Crank 202692 with 202399, 202400, 202552, 223688 and 240022
240022	16610	Take-up Lever, for 240021
240023	16612	Tension Bracket with 201224B and 236060, for 240446
240026	16614	Throat Plate, for 240079
240027	16613	" " " 240076 to 240078
240034	16612	Thread Retainer
240039	16610	Needle Bar Thread Guide, for 240020
*240053	16603	Arm Shaft Bushing (back), for 240057
*240054	16603	" " Ball Bearing Collar with two 200378C, for 240055
240055	16603	Arm Shaft Ball Bearing Collar 240054 with 249440, for 240057
*240056	16603	Arm Shaft Ball Bearing Retaining Washer, for 240057
*240056	16607	Hook Driving Shaft Ball Bearing Retaining Washer, for 240063
240057	16603	Arm Shaft Bushing (back) (ball bearing) complete, Nos. 240053, 240055 and 240056
*240058	16607	Hook Driving Shaft Bushing (back), for 240063
*240060	16607	Hook Driving Shaft Ball Bearing Collar with 200378C and 201220C, for 240061
240061	16607	Hook Driving Shaft Ball Bearing Collar 240060 with 249440, for 240063
240063	16607	Hook Driving Shaft Bushing (back) (ball bearing) complete, Nos. 240056, 240058 and 240061

NUMERICAL LIST OF PARTS

No.	Plate	Name
240067	16613	Knee Lifter Connection Lever
240068	16613	" " Lifting Lever
		Nos. 240076 to 240078, for 240027
240076	16614	Feed Dog, 50 needle hole, for needle sizes 14 and 15,
240077	16608	Feed Dog, 46 needle hole, for needle sizes 16 and 18
240078	16614	Feed Dog, 40 needle hole, for needle size 20
240079	16614	Feed Dog, 40 needle hole, for needle size 20, for 240026
240223	16608	Feed Bar, for 240224
240224	16608	" " 240223 with 224052, 225837 and 350197E, for 240233
240225	16607	Feed Driving Connection with 240226 and 240227
240226	16607	Feed Driving Connection Oiling Felt, for 240225
240227	16607	Feed Driving Connection Oiling Felt Retaining Wire, for 240225
240228	16608	Feed Driving Crank with 200019E
240229	16607	" " Eccentric
240230	16607	" " Adjusting Disc
240231	16607	" " Friction Gib
240232	16607	" " Flange with 200333C, 200346C, two each 200369C and 350101C
240233	16608	Feed Driving Rock Shaft 223650 with 201518E, 240224 and 350393C
240235	16607	Feed Regulating Stud
240243	16607	Hook Saddle Bearing
240245	16607	Feed Regulating Stud Retaining Spring
*240249	-----	Bed
240250	16607	Hook Driving Shaft
240446	16612	Tension Bracket complete, Nos. 200978H, 201199F, 204271, 223438, 223703, 223704, 223706, 237174, 240023, two each 200309E, 201572B and 244048
241674	16605	Bobbin Case Oiling Felt, for 236692
241675	16605	" " " " Retainer, for 236692
242117	16612	Thread Controller Spring Stop
244048	16612	Tension Disc, for 240446
*248401	-----	Arm with 202135
248402	16603	Balance Wheel (disc) (belt groove 2-1/8 in. diam.) with 200328C and 200335C
248404	16606	Bobbin Case Opener, for 248439
248405	16606	" " " Lever Link, for 248439
248415	16607	Feed Driving Eccentric Adjusting Disc Spring

NUMERICAL LIST OF PARTS

No.	Plate	Name
248416	16607	Feed Driving Eccentric Adjusting Disc Spring Collar with two 200382C
248425	16607	Feed Regulating Stud Spring
248429	16606	Hook Ball Bearing Washer (steel), for 248439
248430	16606	Hook Ball Bearing Washer (felt), for 248439
248431	16606	Hook Driving Pinion (spiral) with two 200382C, for 248439
248434	16606	Hook Saddle with 200009E and 201246C, for 248439
248435	16606	Hook Saddle Oil Pad (felt), for 248439
248436	16610	Needle Bar Rock Frame
248437	16610	" " " " Hinge Stud
248439	16606	Hook Saddle complete, Nos. 200118D, 200403C, 204479, 224005, 248404, 248405, 248430, 248431, 248434, 248446, 265088, 350394E, two each 248429, 249365 and four 248435
248440	16603	Arm Shaft with 224392 and 350431E
*248444	16605	Hook (sewing), for 248445
248445	16605	" 248444 with 203525, 224025, two each 200590H and 201253F, for 248446
248446	16605	Hook and Bobbin Case complete, Nos. 236692 and 248445, for 248439
248449	16604	Feed Indicating Disc with 200958C
249365	16606	Hook Ball Bearing, for 248439
249440	16603	Arm Shaft Ball Bearing, for 240055
249440	16607	Hook Driving Shaft Ball Bearing, for 240061
255168	16607	Bed Oil Cup
		Nos. 259428 to 259430, for 259431
259428	16615	Bobbin Winder Brake (leather)
259429	16615	" " " Clamp
259430	16615	" " and Tension Bracket Base
259431	16615	Universal Bobbin Winder complete, Nos. 200056E, 200082D, 200113F, 200299H, 202478, 225368, 225381, 225444, 225453 to 225456, 225458, 225462, 228026, 259428 to 259430, two each 225459 and wood screws 3/4 in. No. 12, R. H. B.
264718	16610	Needle Bar Connecting Link Oil Guard
265088	16606	Bobbin Case Opener Lever Hinge Stud with 202277, for 248439
350101C	16607	Feed Driving Eccentric Friction Gib Adjusting Screw Set Screw, for 240232
350197E	16608	Feed Lifting Cam Fork Screw, for 240224
350393C	16608	" Bar Hinge Screw (driving), for 240233
350394E	16606	Hook Ball Bearing Adjusting Screw, for 248439

NUMERICAL LIST OF PARTS

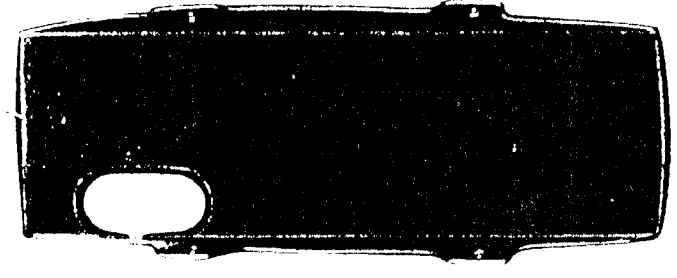
No.	Plate	Name
350405C	16605	Bobbin Case Oiling Felt Retainer Screw, for 236692
350419H	16603	Balance Wheel Adjusting Screw
350431E	16603	Arm Shaft Oil Packing Stop Screw, for 248440

Genuine Singer Needles should be used
in Singer Machines.
These Needles and their Containers
are marked with the
Company's Trade Mark "SIMANCO." 1

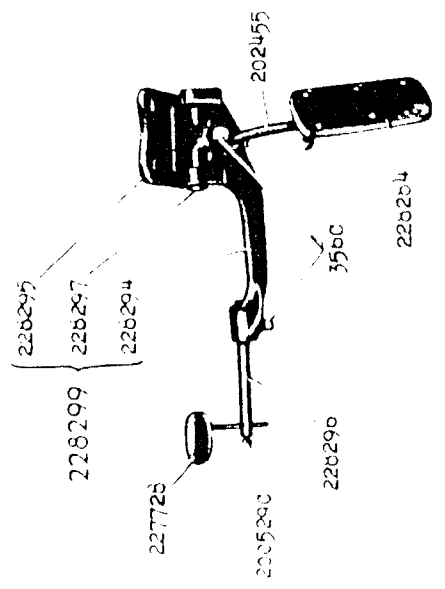
Needles in Containers marked
"For Singer Machines"
are not Singer made needles. 2

ILLUSTRATIONS
OF
PARTS

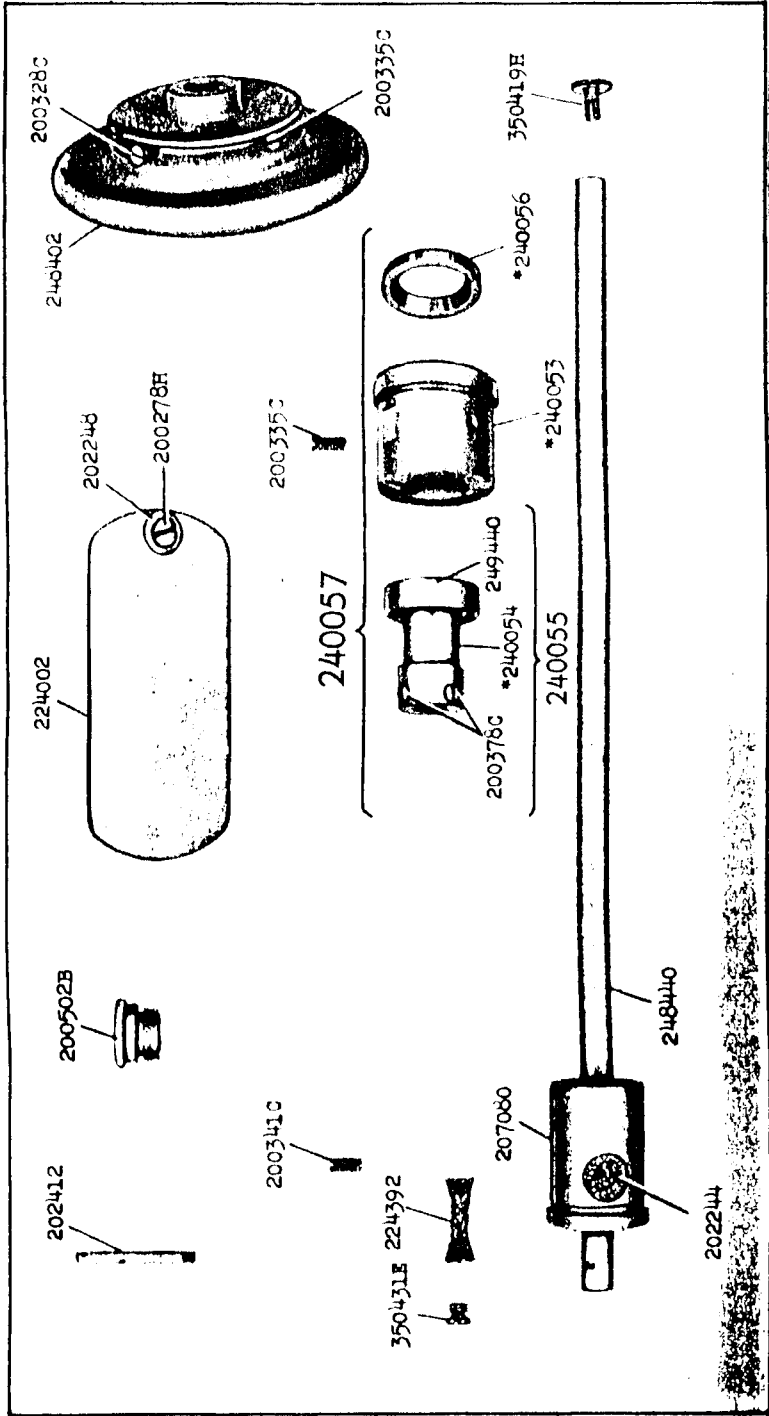
224121



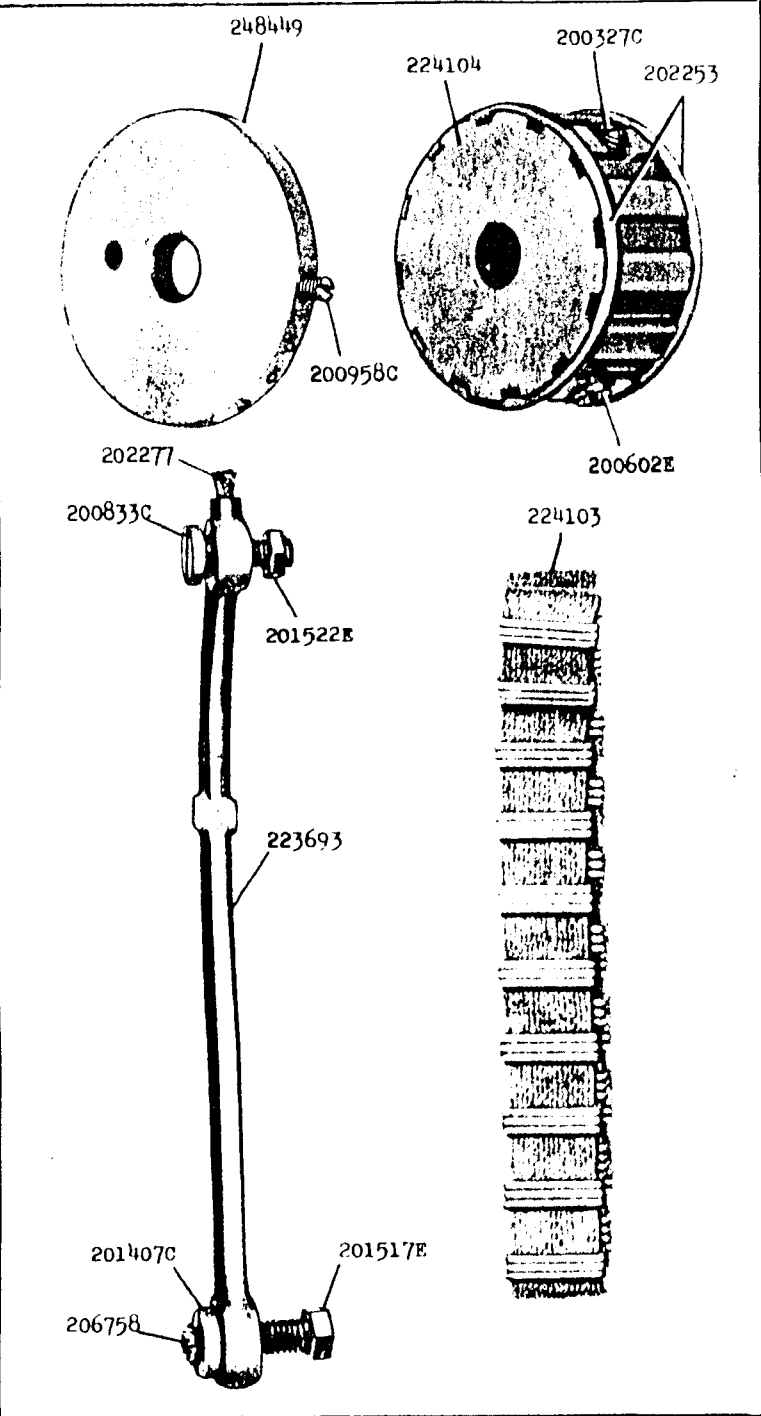
228298



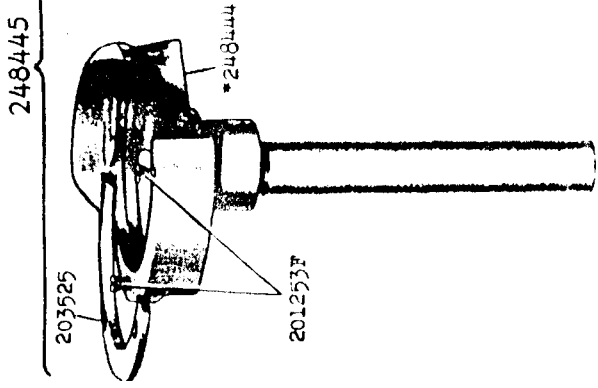
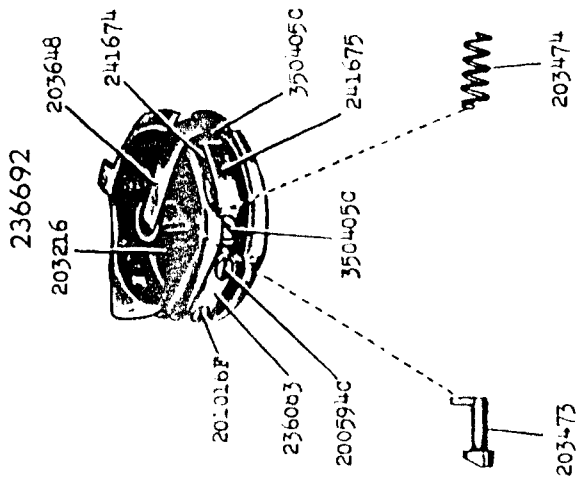
16603 - 3/8



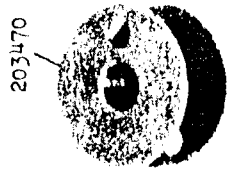
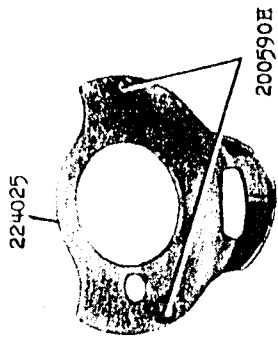
16604 - 3/8



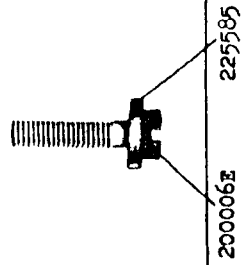
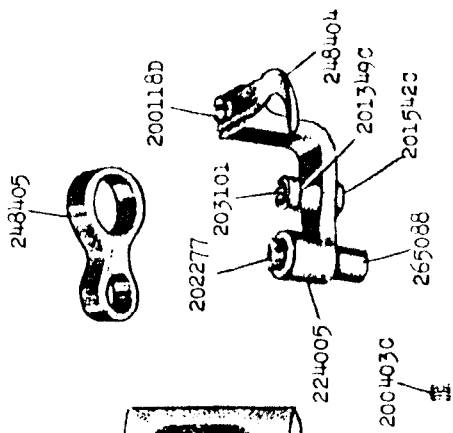
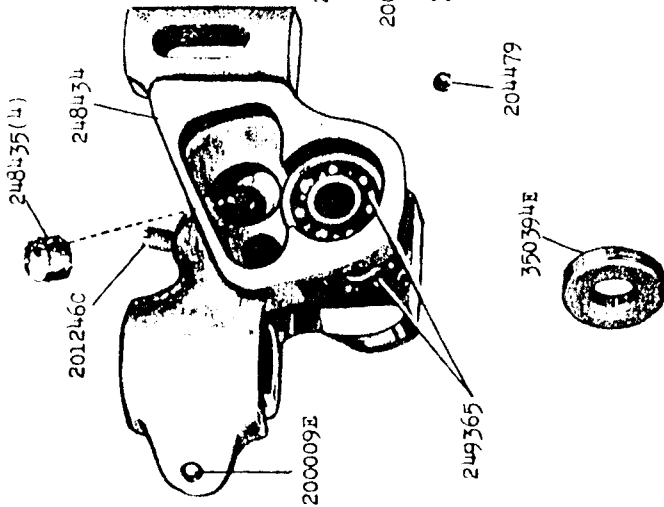
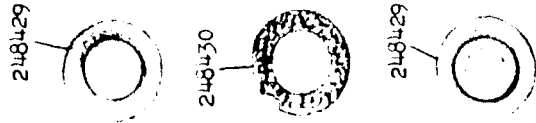
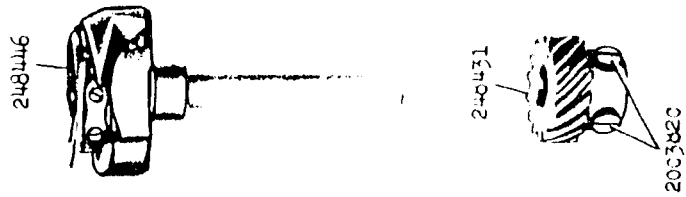
248446



16605

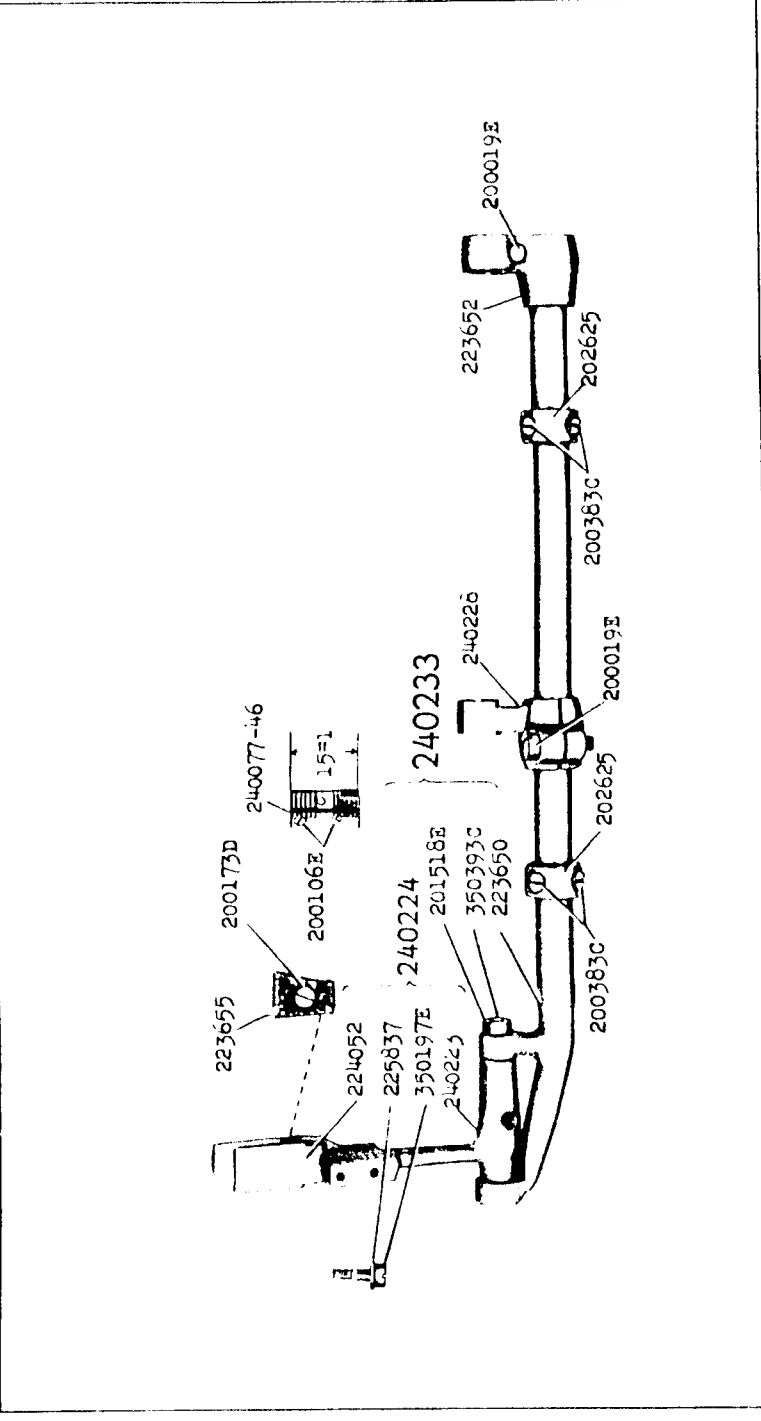
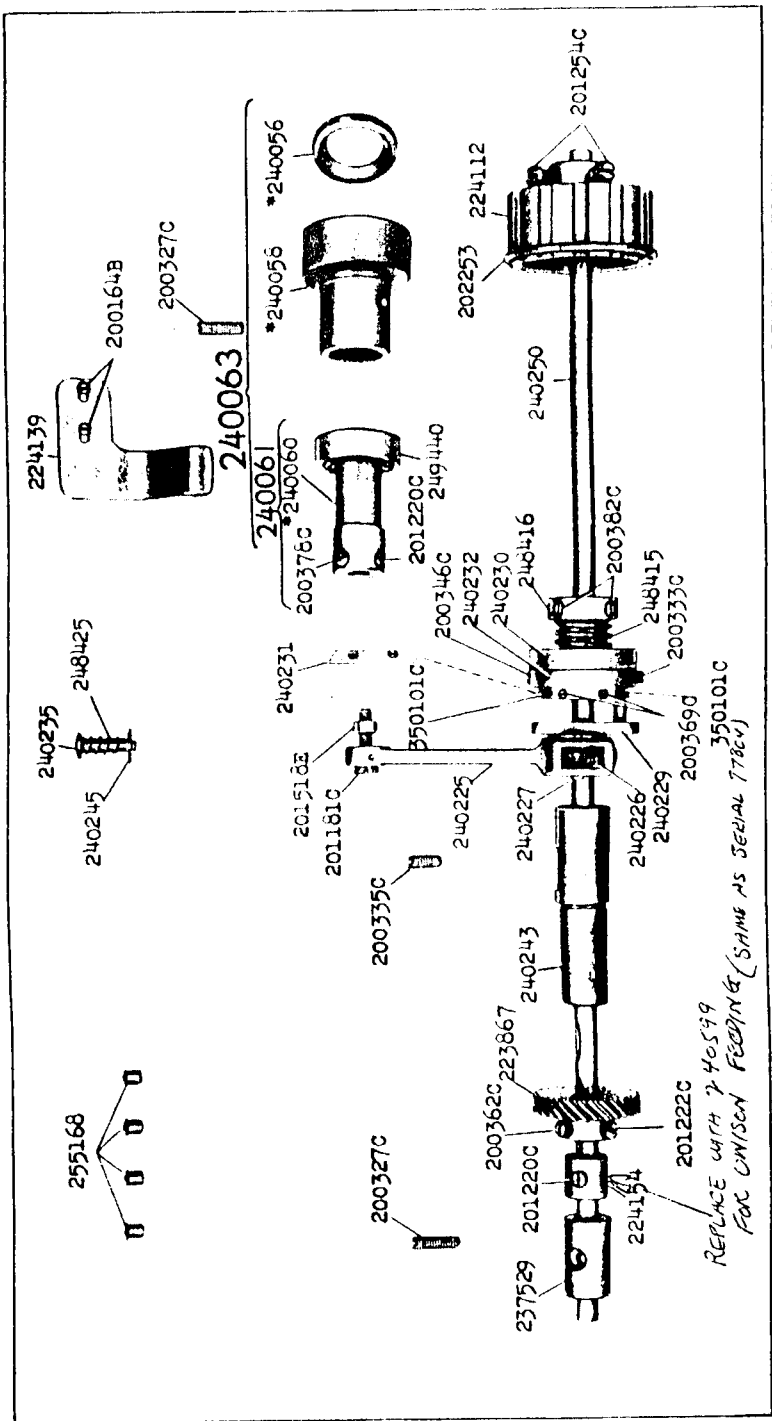


248439

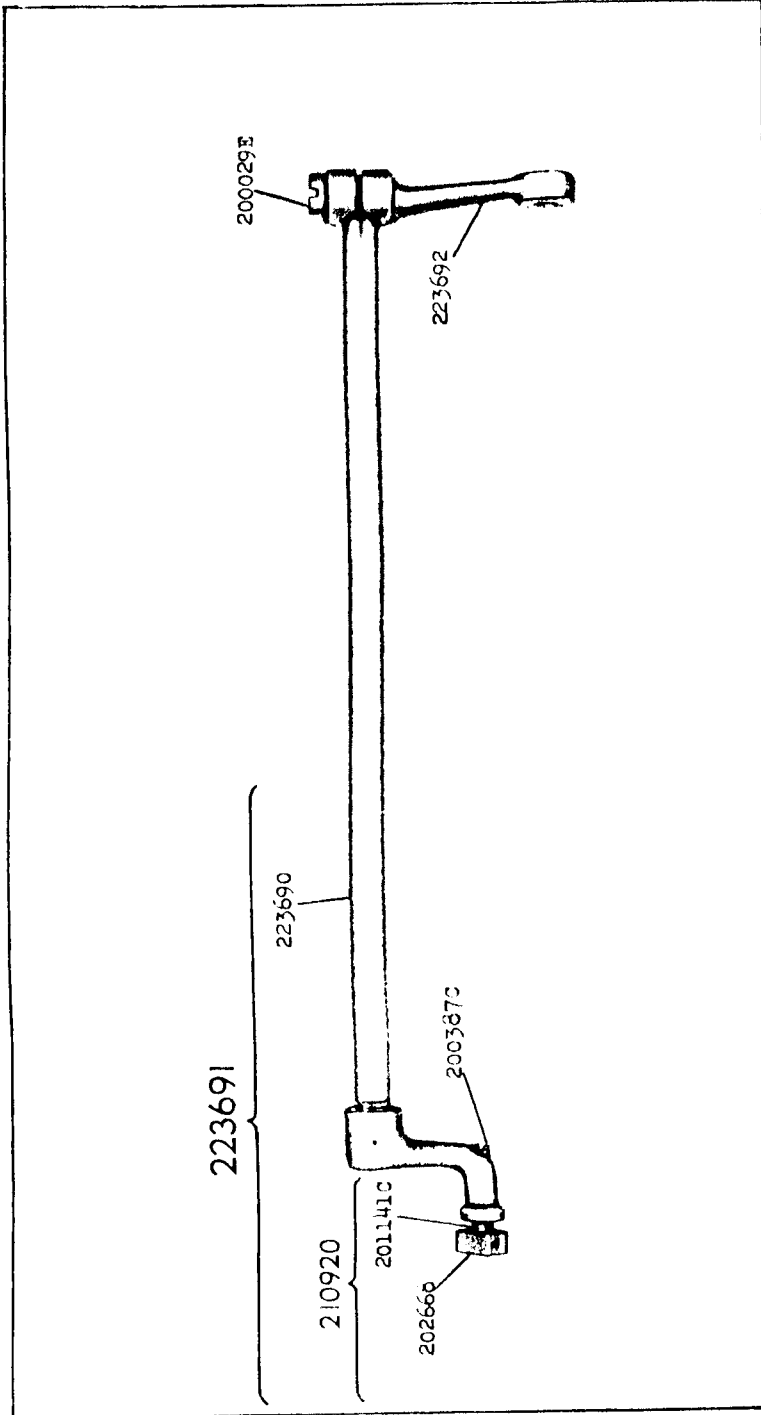


16606 - 5/8

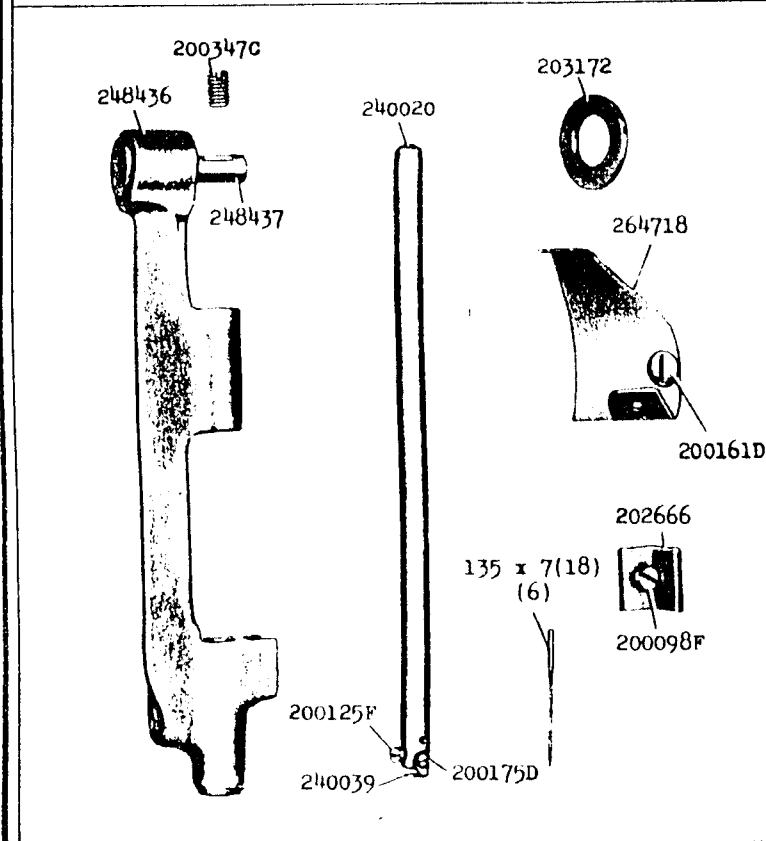
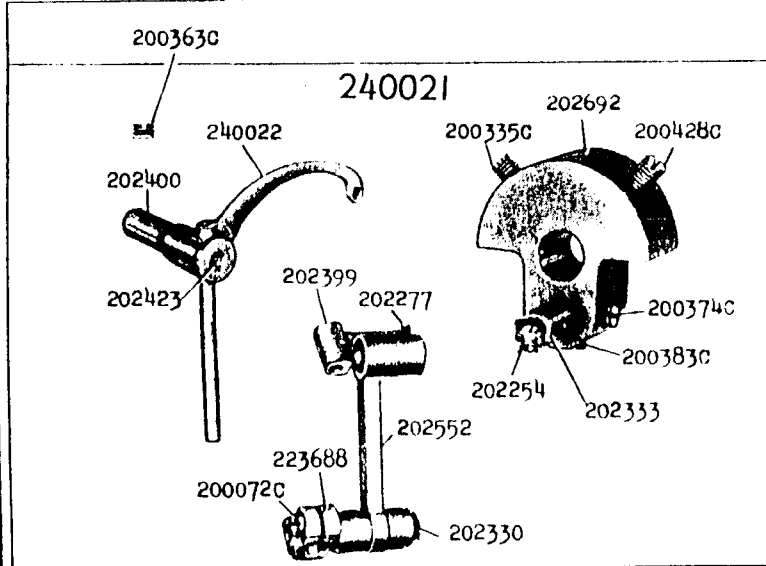
200302C



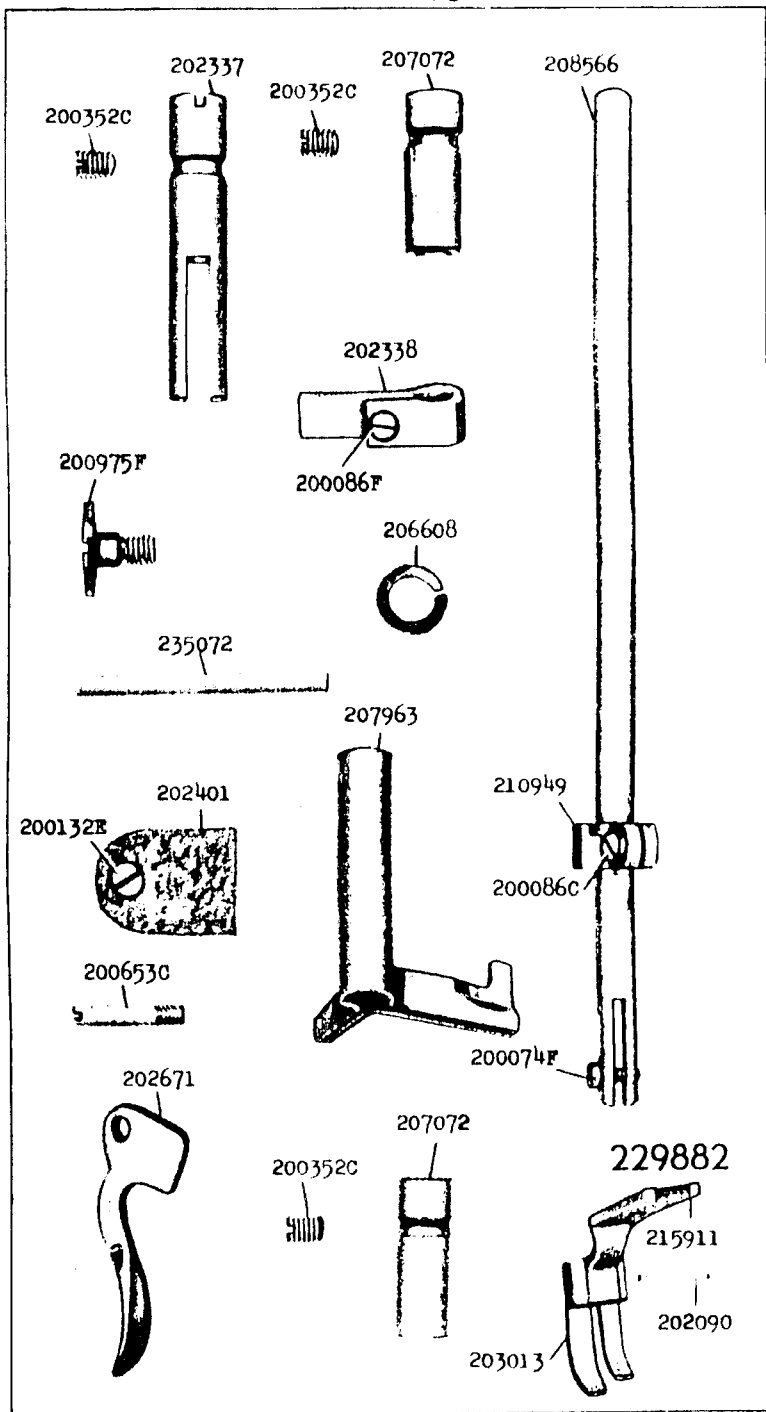
16609 - 1/2



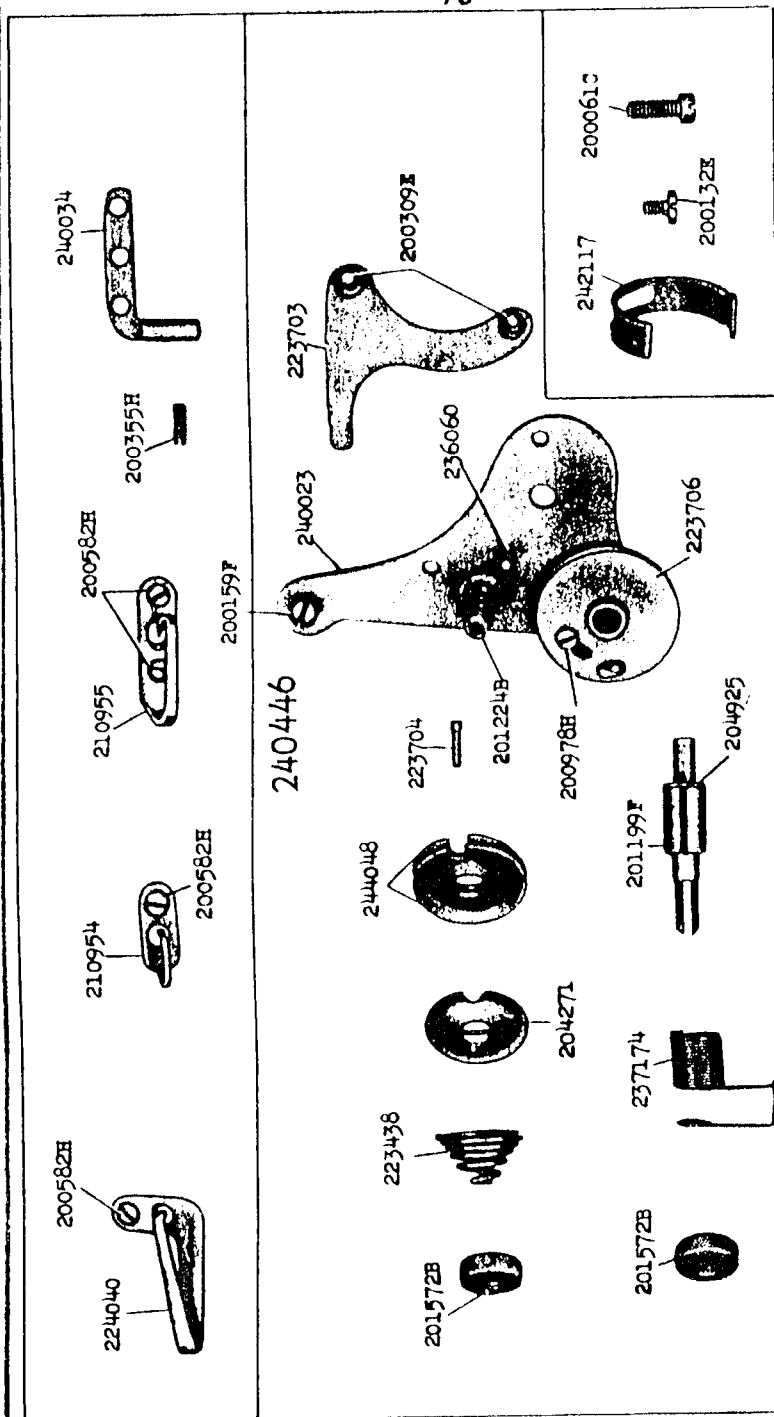
16610



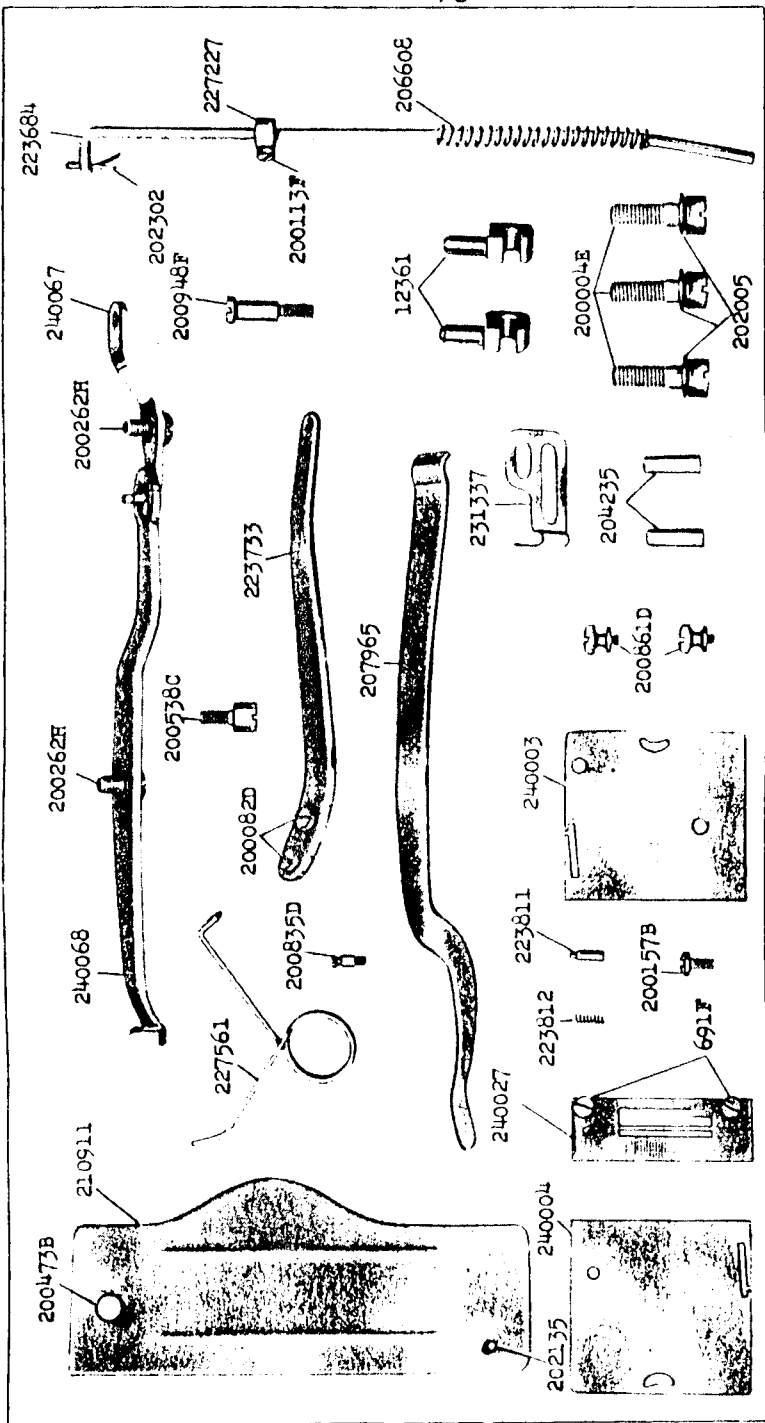
16611 - 5/8



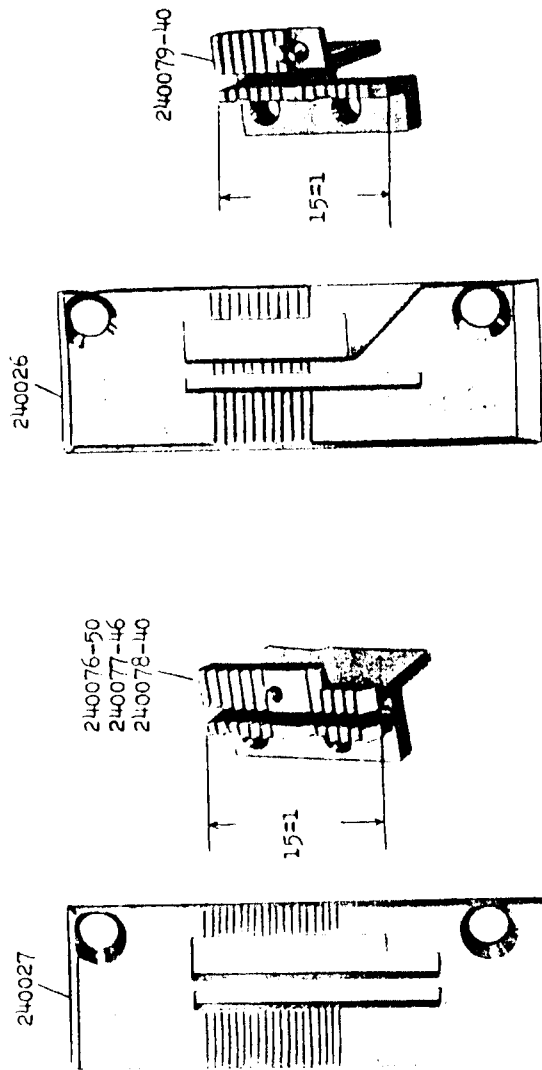
16612 - 2/3



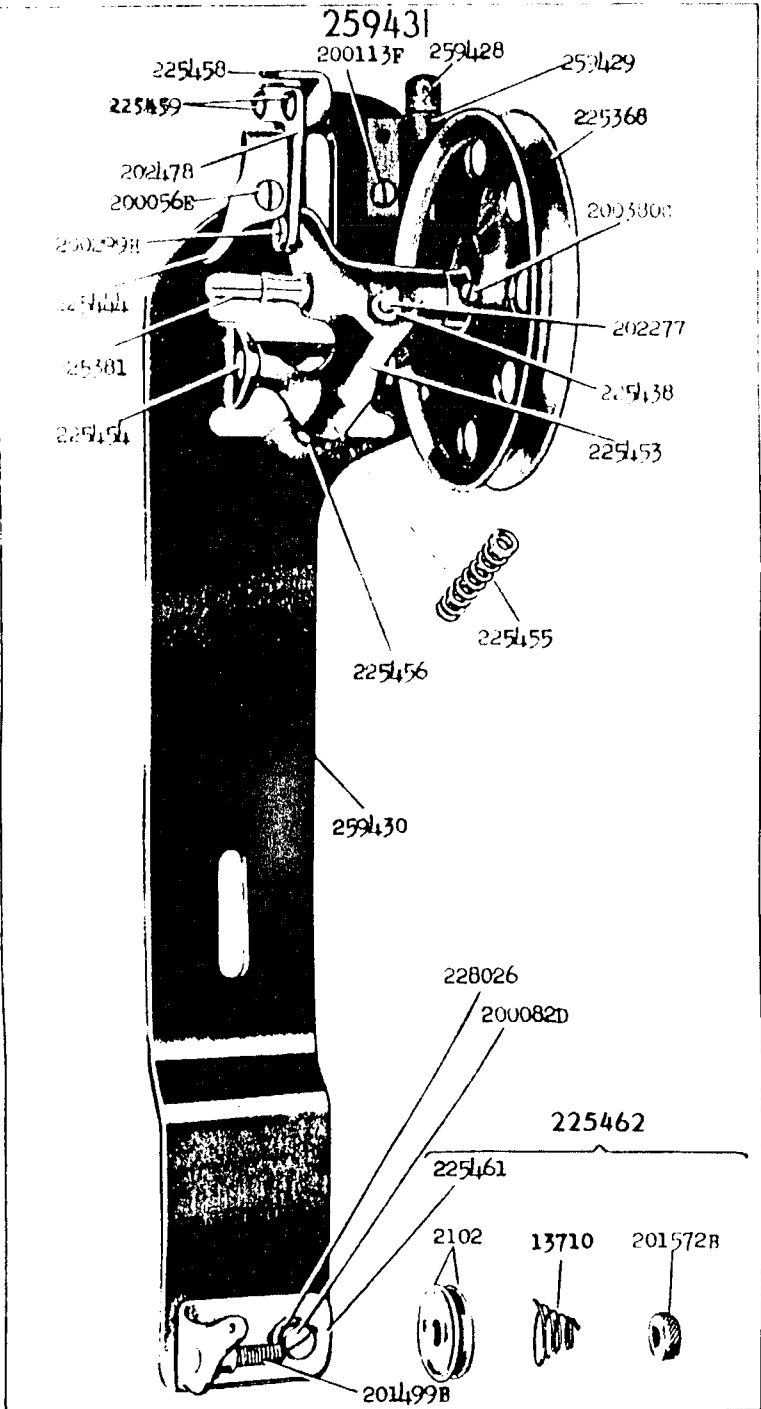
16613 - 3/8



16614

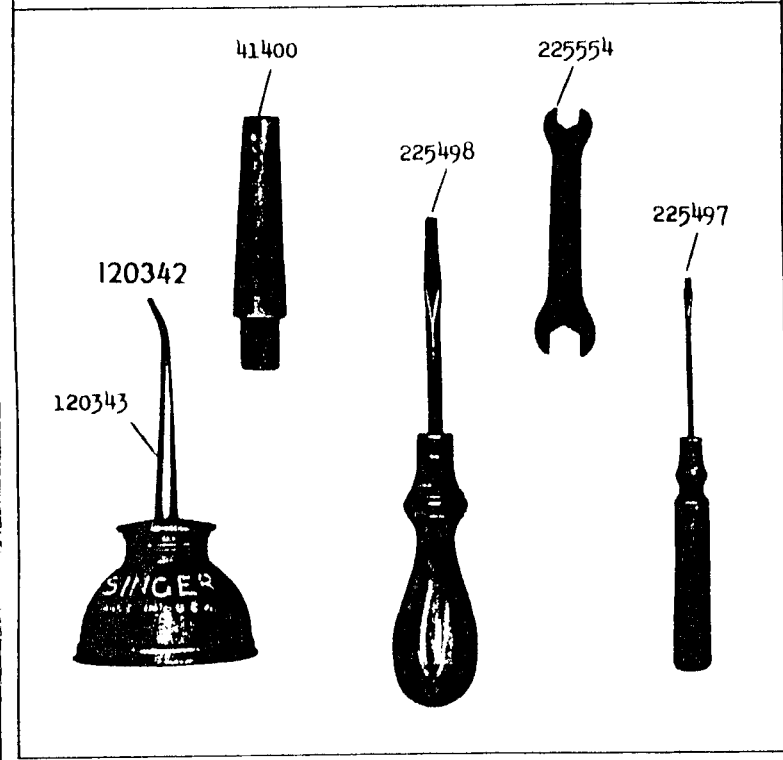
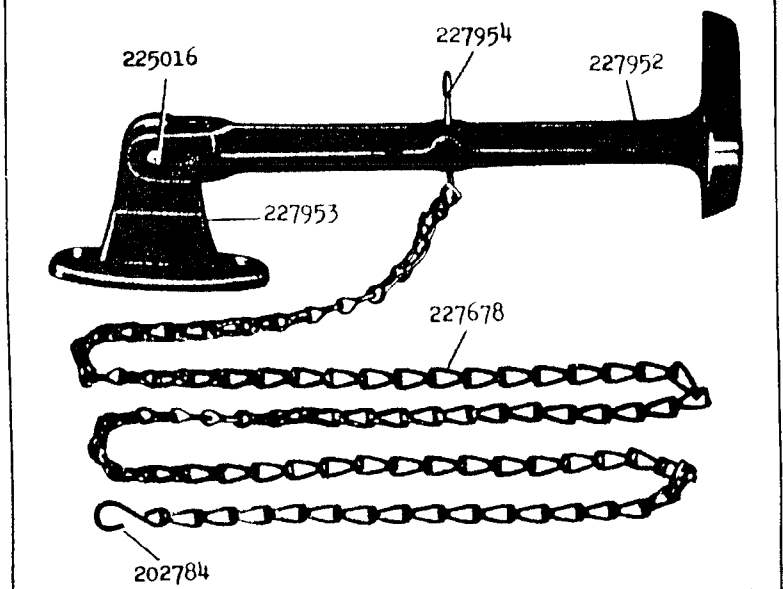


16615 - 1/2



17620 - 1/3

227955



17900 - 1/6

225258

